

GLOBAL SPARE PARTS GUIDE 2022





ONLINE TRAINING PROGRAM

Aqua Lung offers online training courses at <https://training.aqualung.com/login/index.php>

Successful completion of a course results in a printable wall certificate acknowledging the store or technician and provides access to repair manuals, associated schematics, bulletins and resource materials.



BENEFITS:

- Online courses serve as a qualification program and an up-to-date reference source
- Training can take place anytime 24/7 and anywhere the internet is available
- Each course contains multimedia, text, photos, illustrations and videos and can be paused and resumed as needed with knowledge retention measured by quizzes along the way
- After the course has been successfully completed, the student may return as often as they wish as long as they remain employed by an Aqua Lung dealer.
- Allows Aqua Lung to communicate directly with service department personnel
- Affordable, the \$25.00 to \$40.00 per course fee can be recovered by servicing just one regulator. (discounted multi-course packs available)
- Also available are no charge product training/information courses for sales staff.



TABLE OF CONTENTS

How to Use the Spare Parts Catalog & Price List..... 5

FIRST STAGES

| | |
|--|----|
| MTX-R Sidemount Accessories (2021-Present) | 9 |
| XTX50 Sidemount Accessories (2012-Present)..... | 9 |
| XL4 Ocea (2022-Present) | 10 |
| XTX200 Tungsten 5-Port (2020-Present) | 11 |
| XL4+ (DB4+) (2018-Present) | 12 |
| MTX-RC • MTX-R (2017-Present) | 13 |
| XTX200 (2006-Present) | 14 |
| TEK 3 (2007-Present) | 15 |
| XTX50 • ATX50 • TX50 • XTX40 • ATX40 | 16 |
| DS4 • XTX20 • AT20 | 17 |
| Flight (2010-Present)..... | 18 |

FIRST STAGES (Discontinued Models)

| | |
|----------------------------|----|
| XL4 (DB4) (2018-2021)..... | 19 |
| XTX/ATX100 | 20 |
| Black Sapphire..... | 21 |
| ATX200 | 22 |

SECOND STAGES

| | |
|--|----|
| XL4 Ocea (2022-Present) | 23 |
| MTX-RC (2020-Present) | 24 |
| MTX-RC Octopus (2020-Present)..... | 25 |
| MTX-R (2017-Present)..... | 26 |
| XL4+/XL4 (2018-Present) | 27 |
| XTX200/100/50 Series (2013-present) | 28 |
| XTX40/20 Series (2013-present) | 29 |
| ATX • AT • ATX40 • AT20 Series (2002-Present)..... | 30 |
| Flight Series (2010-Present) | 31 |
| Egress (2004-Present)..... | 32 |

SECOND STAGES (Discontinued Models)

| | |
|--|----|
| Black Sapphire | 33 |
| XTX200/100/50 Series (2006-2012) | 34 |
| XTX40/20 Series (2006-2012) | 35 |
| ATX200/100/50 Series | 36 |

Common Reg Spares..... 37

INFLATORS

| | |
|--------------------------|----|
| Powerline Inflator | 38 |
| WTX Inflator | 39 |

BUOYANCY COMPENSATORS (Current Models)

| | |
|---|----|
| Exotec | 40 |
| WTX-D40T • WTX-D60T • WTX-D60TR | 40 |
| WSX Side Mount..... | 41 |
| WTX Harness • WTX Deluxe Webbed Harness | 41 |
| WTX-D18/PSD • WTX-D30/PSD • WTX-D40/PSD ... | 41 |

BUOYANCY COMPENSATORS (Discontinued Models)

| | |
|--------------------------|----|
| Black Ice | 42 |
| WTX-D45/60/60 Twin | 42 |
| WTX3/4/6/6R/8 | 42 |

BACKPACKS & ACCESSORIES

| | |
|--|----|
| Buoyancy Compensator Accessories | 43 |
| Weight Pouches | 43 |
| Backpack Components | 43 |
| Cap-off Kit • Dump Valve Kits..... | 43 |

DRYSUIT SPARES

| | |
|-------------------------------------|----|
| Inflators • Deflators • Hoses | 44 |
|-------------------------------------|----|

DIVE COMPUTERS AND GAUGES

| | |
|--------------------------|----|
| Analog Instruments | 45 |
| Dive Watch..... | 46 |

ACCESSORIES

| | |
|---------------------|----|
| Masks • Fins..... | 47 |
| Bags • Lights | 47 |
| Reels..... | 48 |

TOOLS

| | |
|-----------------|----|
| Regulator | 50 |
|-----------------|----|

INDEX

| | |
|------------------|----|
| Parts Index..... | 51 |
|------------------|----|

HOW TO USE THE SPARE PARTS GUIDE & PRICE LIST

The Spare Parts Guide is designed to be an easy-to-use reference for locating currently available part numbers for most Aqualung products, including regulators, BCs, valves, instruments and rubber goods. It is not intended to be a substitute for the various Aqualung Repair Manuals. Because the schematic drawings and parts listed contain the most recent revisions to the products shown, this document should be referred to exclusively whenever ordering replacement parts.

Finding the part number and price

There are three simple steps for finding a part number and its price:

- Find the product in the Table of Contents of this catalog and turn to the appropriate page.
- Find the part in the exploded drawing and note the key number. Find the key number in the parts listing located below the exploded drawing. Next to the key number is the part number.
- Refer to the **Spare Parts & Specialty Tools Price List**, and locate the part number. Next to the part number is the dealer price and retail price.

Mandatory overhaul replacement parts

Some products have mandatory overhaul replacement parts, which should be replaced every time the product is serviced. Any part in **BOLD ITALICS** is considered a mandatory overhaul part, and should not be reused under any circumstances after the product has been disassembled. These parts can be ordered individually, or in complete kits which are available for each model regulator.

Parts no longer available (NLA)

Some older, discontinued products have parts that are no longer available. If a part was never or no longer available, the letters NLA will replace the part number in the parts list.

Parts no shown (N/S)

Part are available but not shown on the schematic.

Using the Part Number Index

If you know the part number for a specific item and want to find where it is used (or isn't used), you will want to use the Part Number Index. To use the index, you first need to locate the part number in the listing. Next to each part number are the page numbers on which the part can be found. If, for example, you want to know what products use the RG912198 medium pressure seat, you can refer to the Part Number Index, where you will find the pages to the products that use RG912198.

A Reminder

Parts may only be sold to Authorized Aqualung Pro-Line Dealers, and must be installed only by technicians who have received factory authorized training. Proper storage is important to ensure the quality of these parts. Be sure to store parts in a manner to prevent premature degradation of rubber and other soft materials, and to prevent damage to those parts which contain delicate sealing surfaces.

PRODUCTION DATE & SERIAL NUMBER IDENTIFICATION GUIDE

In order to identify the production year or model generation for an Aqualung / Apeks product, it is necessary to note the serial number of the specific product in question.

Serial Number Information: **IMPORTANT**

Serial numbers DO NOT contain the letters “EN” or “CE”. These numbers refer to a European Standard for that product. If you cannot locate your serial number, please refer to the following information for assistance.

AQUALUNG/APEKS REGULATORS

For Aqualung and Apeks regulators, the serial number of the first and second stage of a complete regulator is identical. Octopus and Partner sets show individual serial numbers and must be treated individually.

Serial Number Location:

- **1st stage** - The 7-digit serial number is readily visible on the first stage.
- **2nd stage** - The serial number is laser etched into the 2nd stage case. The location varies by model.
- **Airsource3** - The serial number is located just above the exhaust valve and always starts with a letter followed by 5-digits then 2-letters again (example: R01030MN).



Production Date Identification:

- **Aqualung Regulators From 2000 - 2009** The first digit of the serial number indicates the production year
From 0 to 9 = 2000 to 2009:

0 for 2000
1 for 2001
2 for 2002
3 for 2003
4 for 2004

Example: Serial Number 6062501 the year of manufacturing is **2006**

- **Aqualung Regulators After 2010** A letter marks the production year
From 2010 Forward:

A for 2010
B for 2011
C for 2012
D for 2013
E for 2014

Example: Serial Number J012401 with J being the 10th letter of the alphabet, the year of manufacturing is **2020**

• **Airsource3 - 2014 to Present:** A letter marks the production year. Starting with “Y” for year 2014 and then starting over at “A” for 2016. The next 5-numbers are the unit production number for the year

- Y for 2014
- Z for 2015
- A for 2016
- B for 2017
- C for 2018

Example: Serial Number B12401MN

B=Year 2017

12401=The production sequence number for 2017.

• **Apeks Regulators From 2000 to Present:** The first two digits of the serial number indicates the production year: While the second two digits indicate the month. The remaining 4-5 numbers are sequential numbers.

- 00 for 2000
- 01 for 2001
- 02 for 2002
- 03 for 2003
- 04 for 2004

Example: Serial Number 200612345

20 = year 2020

06 = June

AQUALUNG DIVE COMPUTERS

In order to identify the production year or model generation for an Aqualung product, it is necessary to note the serial number of the specific product in question.

Serial Number Location:

Serial numbers are located on the outside of the box from each product, on the back of each product and also in the sub-menu from each product.



Production Date Identification:

• The first digits of the serial number indicates the production month, followed by the second two digits indicating the year and thereafter a sequential number

Examples:

918013364 for September 2018

117009678 for January 2017

217015030 for February 2017

416002341 for April 2016

516003109 for May 2016

BUOYANCY COMPENSATORS (BCD'S)

Serial Number Locations:

- The Warning tags have both the S/N and LOT# on them. They are located in several locations. Under the back pad of the BC, they can also be located inside the BC pocket.
- Earlier Sea Quest and Aqualung BCs have a serial number tag is located behind the hook-and-loop inflator hold down on the left shoulder. This does not have the LOT# on it.
- 1st generation Wave - It does not have a serial number. Use the LOT number located at the bottom of the Warning tag located in the BC pocket.



Production Date Identification:

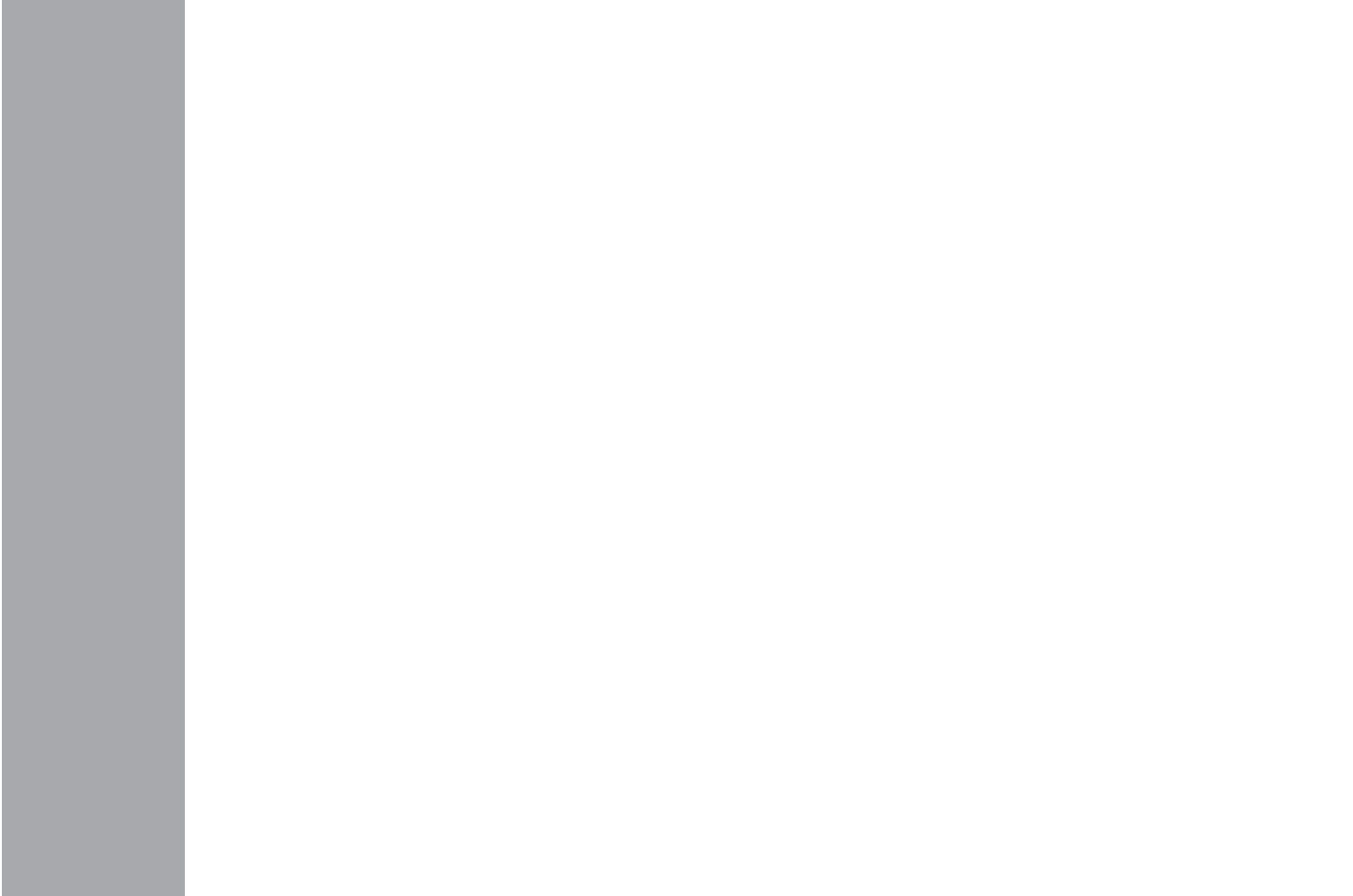
The LOT# is what is used to read the date code. The attached image shows the LOT# 12086AD001. We want to look at the first 5 numbers to identify the year and day of manufacture.

Example: Lot# 12086AD001

12 = year 2012

086 = 86th day of the year (Julian calendar), March 26th

This is the same method for all buoyancy products. If it has a Warning label, it has a LOT# which identifies the manufacturing date.



MTX-R SIDEMOUNT 2021-Present

MTX-R Sidemount Regulator Accessories

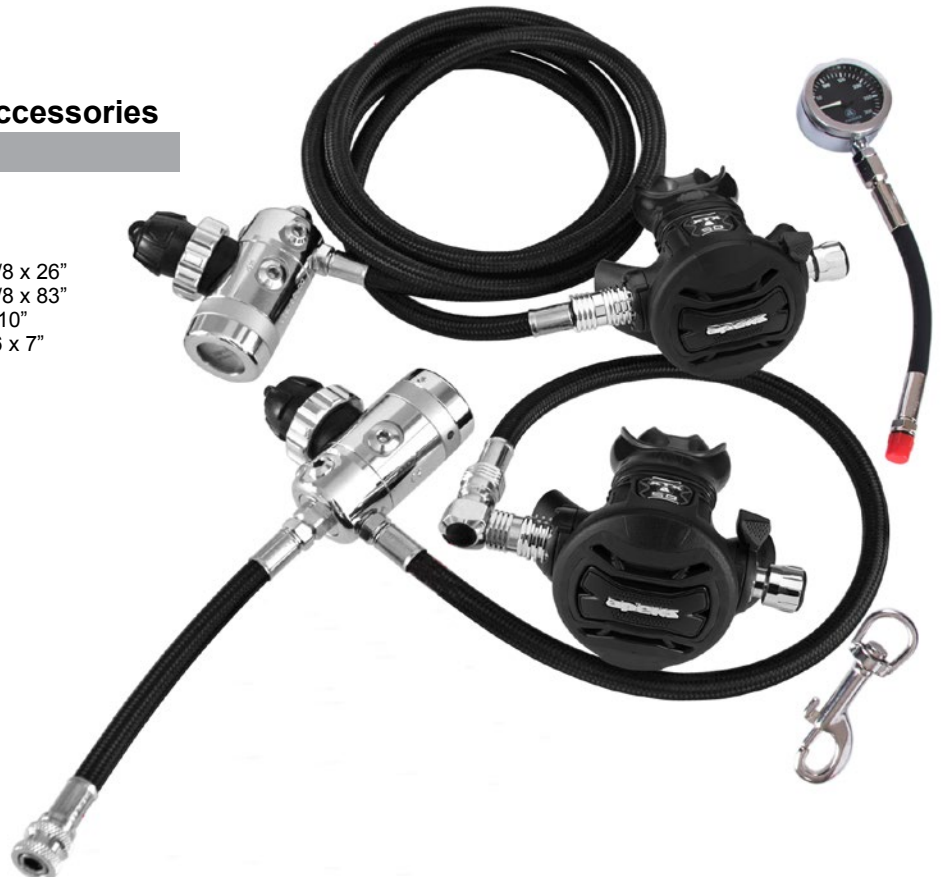
| PART# | DESCRIPTION |
|----------|--|
| RT127111 | MTX-R First Stage only, w/DIN |
| RS116111 | MTX-R, Second Stage |
| RH114234 | Hose, Reg, Blk Rubber, Dbl-Swvl, 3/8 x 26" |
| RH114236 | Hose, Reg, Blk Rubber, Dbl-Swvl, 3/8 x 83" |
| RH112117 | Hose, Inflator, Braided, Black, 3/8 x 10" |
| RH111118 | Hose, HP, Blk Rubber w/Spool, 7/16 x 7" |
| RA117127 | Fitting, 90° Fixed Elbow |
| TH117123 | Bolt Snap, S/S, Single, 75mm |
| NS131137 | SPG Module, Imperial, Black Face |
| NS131138 | SPG Module, Metric, Black Face |



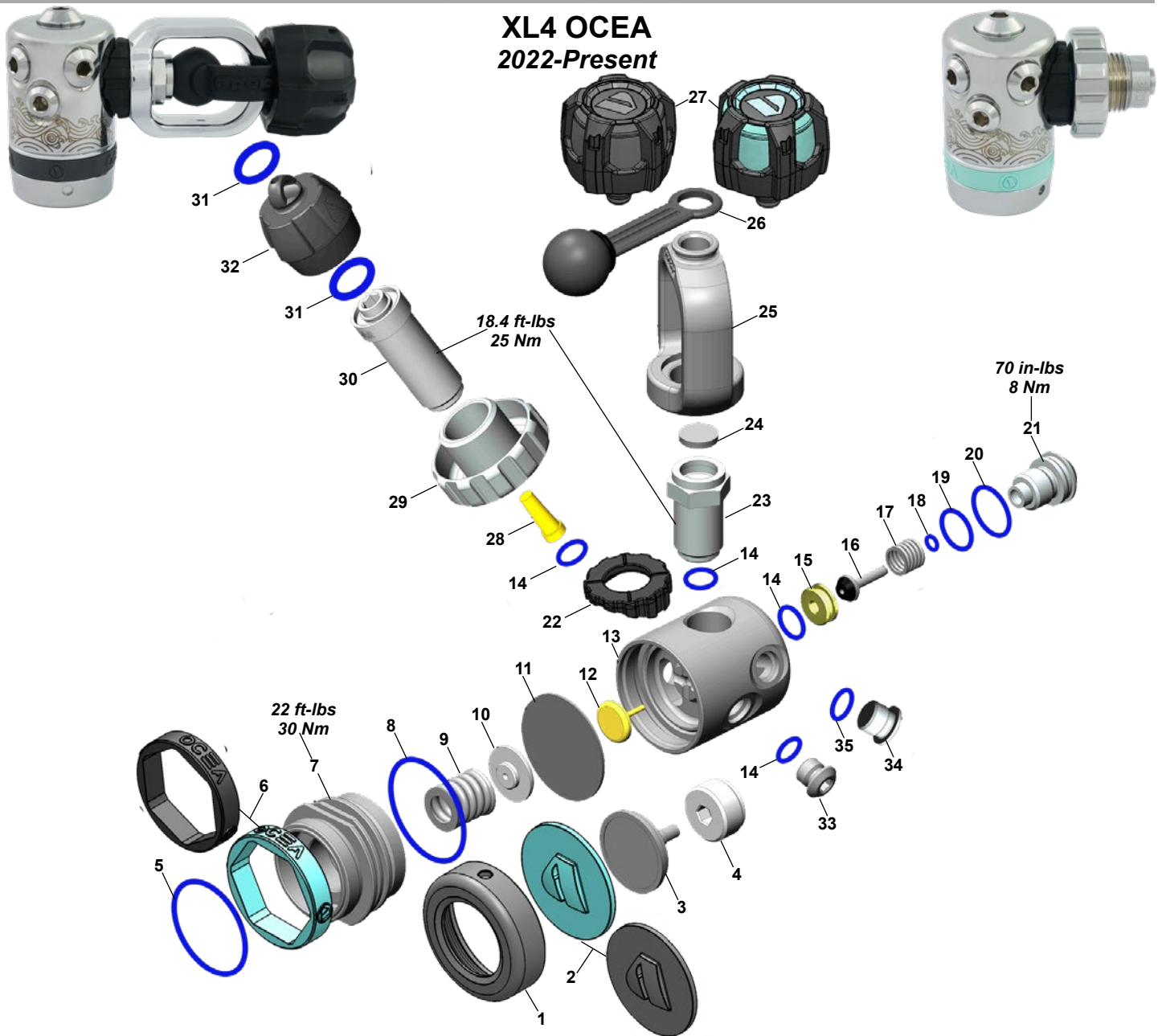
XTX50 SIDEMOUNT 2012-Present

XTX50 Sidemount Regulator Accessories

| PART# | DESCRIPTION |
|----------|--|
| RT129112 | XTX50, First Stage only, w/DIN |
| RA117113 | 5-Port Turret Upgrade Kit |
| RS132111 | XTX50, Second Stage |
| RH114234 | Hose, Reg, Blk Rubber, Dbl-Swvl, 3/8 x 26" |
| RH114236 | Hose, Reg, Blk Rubber, Dbl-Swvl, 3/8 x 83" |
| RH112117 | Hose, Inflator, Braided, Black, 3/8 x 10" |
| RH111118 | Hose, HP, Blk Rubber w/Spool, 7/16 x 7" |
| RA117127 | Fitting, 90° Fixed Elbow |
| TH117123 | Bolt Snap, S/S, Single, 75mm |
| NS131137 | SPG Module, Imperial, Black Face |
| NS131138 | SPG Module, Metric, Black Face |



**XL4 OCEA
2022-Present**



KEY# PART# DESCRIPTION

KEY# PART# DESCRIPTION

- **RT141114** **Service Kit, Diaphragm First Stages**
- RT111117 Ocea First Stage, Yoke,Mint(Yucca)
- RT111119 Ocea First Stage, DIN,Mint(Yucca)
- RT111118 Ocea First Stage, Yoke (Grey)
- RT111120 Ocea First Stage, DIN (Grey)
- RA112115 DIN Conversion Kit (Satin)
- 1 ---- RG912535 Environmental End Cap,Enviro
- 2 ---- RG912569 Environmental Seal,Mint(Yucca)
- RG912570 Environmental Seal (Grey)
- 3 ---- RG912067 Hydrostatic Transmitter
- 4 ---- RG912534 Spring Adjuster, Enviro
- 5 ---- RG912454** **O-ring (10 pk)**
- 6 ---- RG912553 Ocea Logo Ring,Mint(Yucca)
- RG912554 Ocea Logo Ring (Grey)
- 7 ---- RG912533 Diaphragm Clamp, Enviro
- 8 ---- RG912269** **O-ring**
- 9 ---- RG912271 Spring
- 10 ---- RG912362 Spring Carrier
- 11 ---- RG912062** **Diaphragm**
- 12 ---- RG912115 Valve Lifter
- 13 ---- RG912541 Body, Ocea (Satin)
- 14 ---- RG912229** **O-ring (10 pk)**

- 15 ---- RG912114 Removeable HP Valve Seat (Crown)
- 16 ---- RG912048** **HP Valve**
- 17 ---- RG912047 Spring
- 18 ---- RG912227** **O-ring (10 pk)**
- 19 ---- RG912230** **O-ring (10 pk)**
- 20 ---- RG912228** **O-ring (10 pk)**
- 21 ---- RG912538 HP Balance Plug, Enviro
- 22 ---- RG912572 Distance Piece (Black)
- 23 ---- RG912527 Yoke Clamp Connector, Enviro
- 24 ---- RG912040** **Filter, Porvair (Yoke)**
- RA121117 Filter, Porvair (20pk)
- 25 ---- RG912574 Yoke Clamp
- 26 ---- RG912573 Dust Cap
- 27 ---- RG912560 Yoke Clamp Screw Enviro,Mint(Yucca)
- RG912561 Yoke Clamp Screw Enviro (Grey)
- 28 ---- RG912059** **Conical Filter (DIN)**
- 29 ---- RG912531 Handwheel 300 Bar, Enviro
- 30 ---- RG912532 Handwheel Connector, Enviro
- 31 ---- RG912224** **O-ring (10 pk)**
- 32 ---- RG912571 DIN Protective Cap
- 33 ---- RG912528 3/8" UNF Blanking Plug, Enviro
- 34 ---- RG912529 7/16" UNF Blanking Plug, Enviro
- 35 ---- RG912453** **O-ring (10 pk)**

XTX200 TUNGSTEN 5-PORT (FSR)
2020-Present

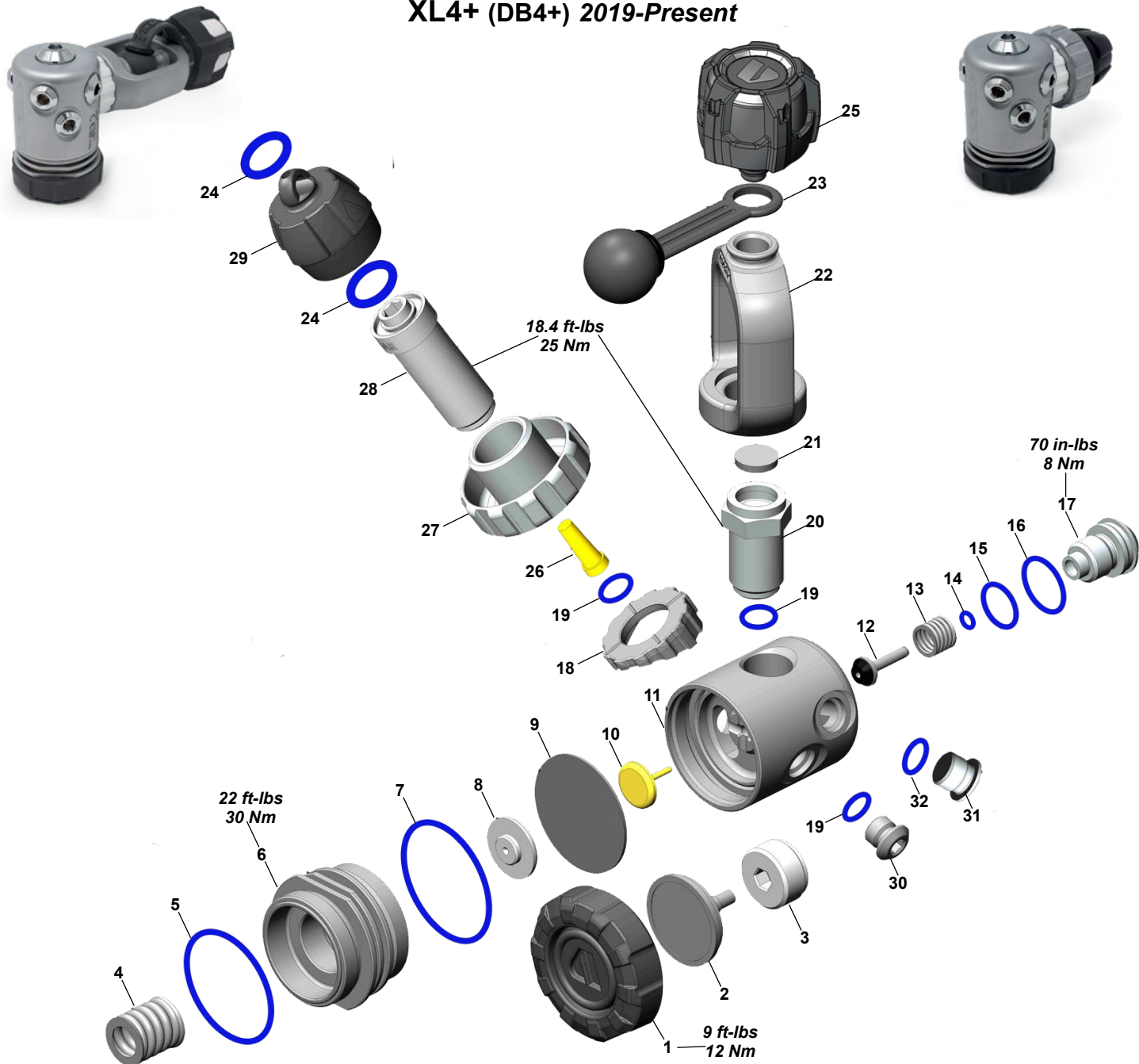


COMING SOON

KEY# PART# DESCRIPTION

KEY# PART# DESCRIPTION

XL4+ (DB4+) 2019-Present



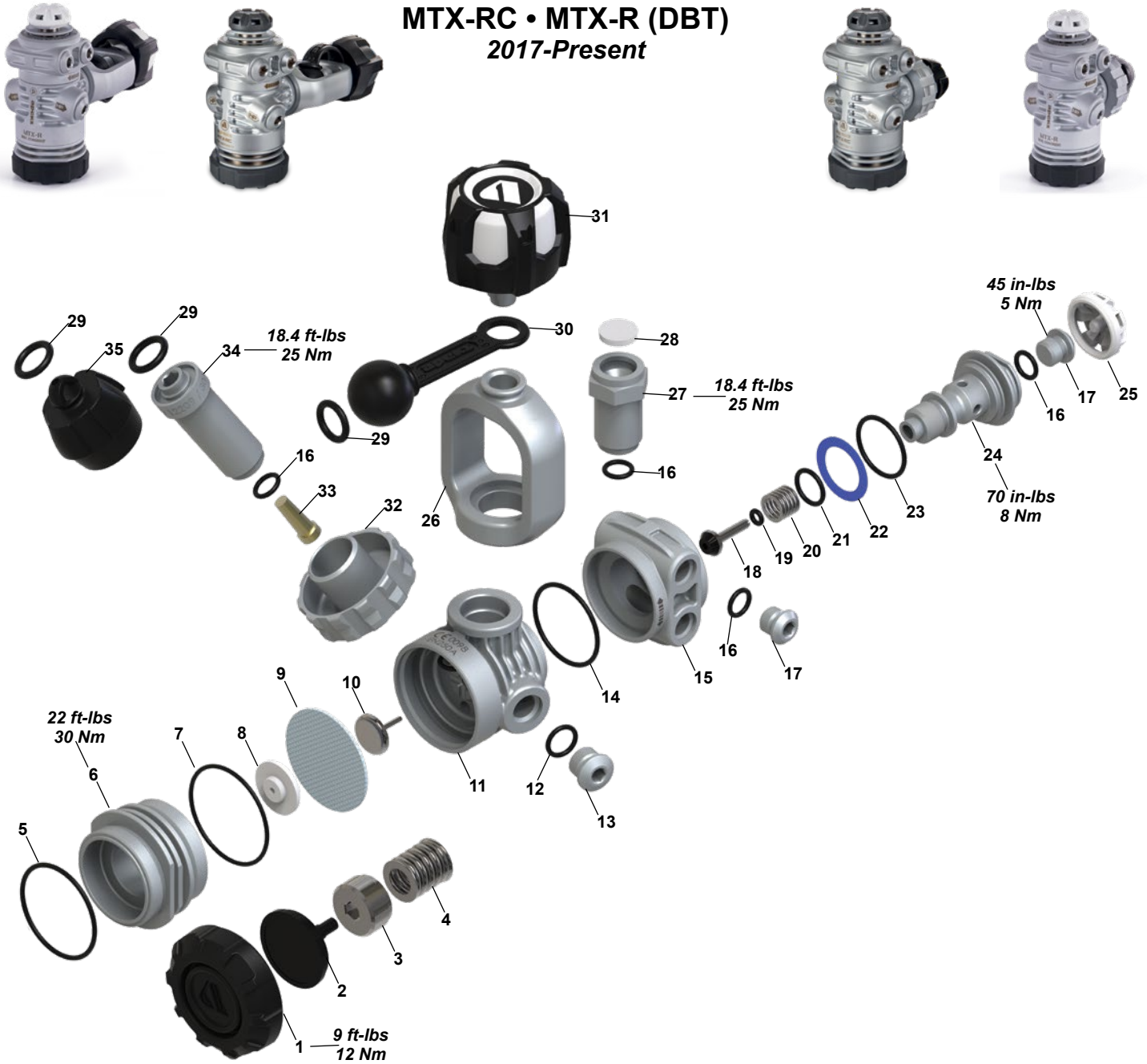
KEY# PART# DESCRIPTION

| | | |
|---------------|-----------------|--|
| ----- | RT141114 | Service Kit, Diaphragm First Stages |
| ----- | RT111115 | DB4+ First Stage, Yoke |
| ----- | RT111116 | DB4+ First Stage, DIN |
| ----- | RA112115 | DIN Conversion Kit, Satin |
| 1---- | RG912363 | Environmental End Cap (Grey) |
| 2---- | RG912067 | Hydrostatic Transmitter |
| 3---- | RG912061 | Spring Adjuster |
| 4---- | RG912271 | Spring |
| 5---- | RG912454 | O-ring (10 pk) |
| 6---- | RG912313 | Diaphragm Clamp, Finned Satin |
| 7---- | RG912269 | O-ring |
| 8---- | RG912362 | Spring Carrier |
| 9---- | RG912062 | Diaphragm |
| 10---- | RG912063 | Valve Lifter |
| 11---- | RG912346 | Body (2-HP Ports) Satin |
| 12---- | RG912048 | HP Valve |
| 13---- | RG912047 | Spring |
| 14---- | RG912227 | O-ring (10 pk) |

KEY# PART# DESCRIPTION

| | | |
|----------------|-----------------|------------------------------------|
| 15---- | RG912230 | O-ring (10 pk) |
| 16----- | RG912228 | O-ring (10 pk) |
| 17---- | RG912325 | HP Balance Plug |
| 18---- | RG912359 | Distance Piece (White) |
| 19---- | RG912229 | O-ring (10 pk) |
| 20---- | RG912299 | Yoke Clamp Connector (Satin) |
| 21---- | RG912040 | Filter, Porvair (Yoke) |
| ----- | RA121117 | Filter, Porvair (20pk) |
| 22---- | RG912037 | Yoke Clamp, Satin |
| 23---- | RG912356 | Dust Cap (Grey) |
| 24---- | RG912224 | O-ring (10 pk) |
| 25---- | RG912418 | Yoke Clamp Screw, Co-Molded (Grey) |
| 26---- | RG912059 | Conical Filter (DIN) |
| 27---- | RG912056 | Handwheel 300 Bar, Satin |
| 28---- | RG912058 | Handwheel Connector, Satin |
| 29---- | RG912385 | DIN Protective Cap (Grey) |
| 30---- | RG912042 | 3/8" UNF Blanking Plug |
| 31---- | RG912045 | 7/16" UNF Blanking Plug |
| 32---- | RG912453 | O-ring (10 pk) |

MTX-RC • MTX-R (DBT)
2017-Present



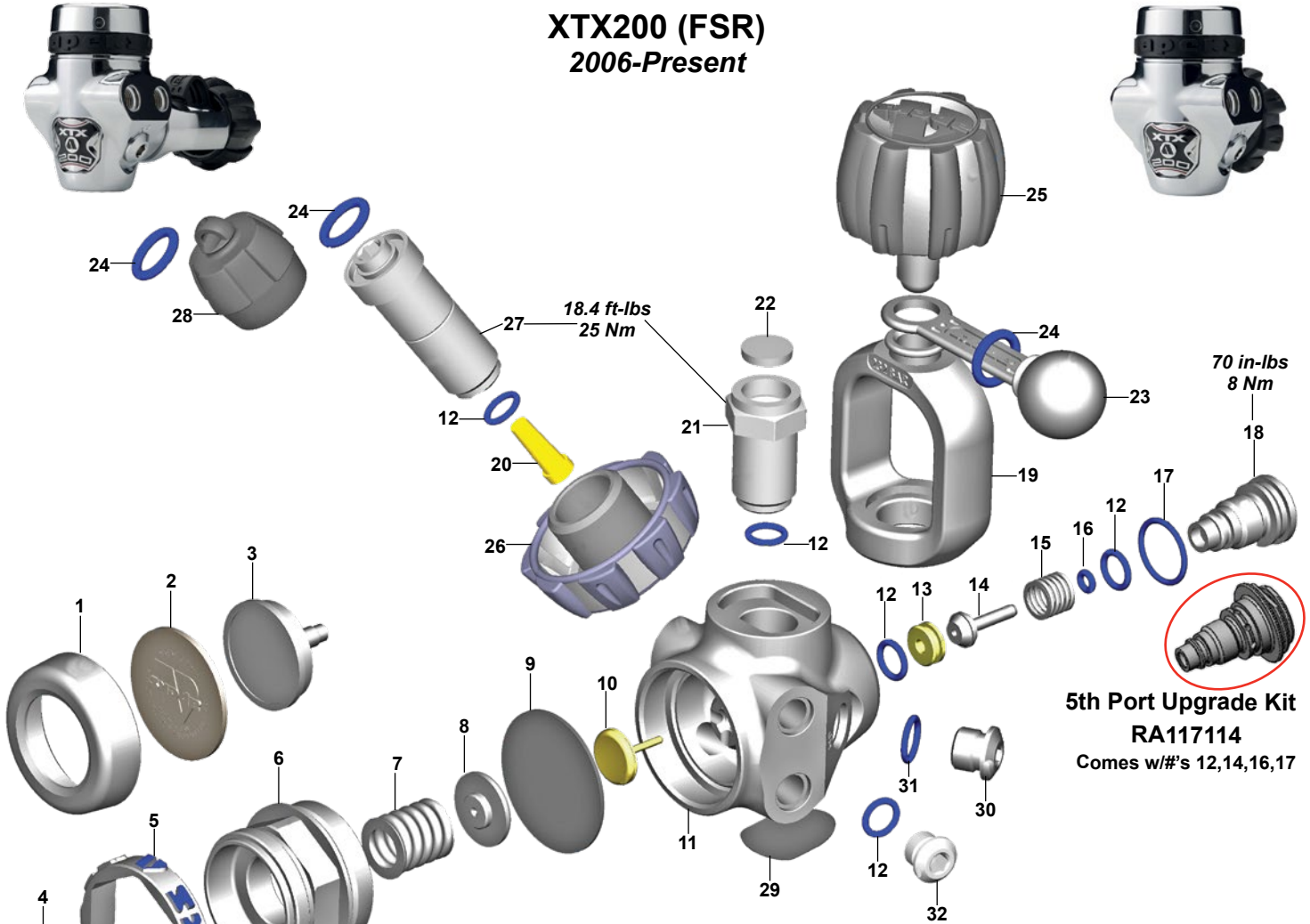
KEY# PART# DESCRIPTION

KEY# PART# DESCRIPTION

| | | |
|----------------|-----------------|---|
| ----- | RT141114 | Service Kit, Diaphragm First Stage |
| ----- | RT127112 | MTX-R First Stage only, w/Yoke |
| ----- | RT127111 | MTX-R First Stage only, w/DIN |
| ----- | RA112136 | DIN Conversion Kit, Satin |
| 1 ---- | RG912078 | Environmental End Cap, MTX-R (Blk) |
| ----- | RG912363 | Environmental End Cap, MTX-RC (Grey) |
| 2 ---- | RG912067 | Hydrostatic Transmitter |
| 3 ---- | RG912061 | Spring Adjuster |
| 4 ---- | RG912271 | Spring |
| 5 ---- | RG912454 | O-ring (10 pk) |
| 6 ---- | RG912313 | Diaphragm Clamp, Finned, Satin |
| 7 ---- | RG912269 | O-ring |
| 8 ---- | RG912362 | Spring Carrier |
| 9 ---- | RG912062 | Diaphragm |
| 10 ---- | RG912063 | Valve Lifter |
| 11 ---- | RG912250 | Body, Finned, Satin |
| 12 ---- | RG912453 | O-ring (10 pk) |
| 13 ---- | RG912301 | 7/16" HP Blanking Plug, Satin |
| 14 ---- | RG912231 | O-ring (10 pk) |
| 15 ---- | RG912251 | Turret, Finned, Satin |

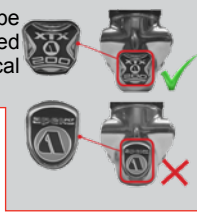
| | | |
|----------------|-----------------|------------------------------|
| 16 ---- | RG912229 | O-ring (10 pk) |
| 17 ---- | RG912300 | 3/8" MP Blanking Plug, Satin |
| 18 ---- | RG912048 | HP Valve |
| 19 ---- | RG912227 | O-ring (10 pk) |
| 20 ---- | RG912047 | Spring |
| 21 ---- | RG912230 | O-ring (10 pk) |
| 22 ---- | RG912046 | Thrust Washer |
| 23 ---- | RG912232 | O-ring (10 pk) |
| 24 ---- | RG912314 | Turret Retaining Bolt, Satin |
| 25 ---- | RG912366 | Bumper, 5th Port, White |
| 26 ---- | RG912037 | Yoke Clamp, Satin |
| 27 ---- | RG912299 | Yoke Clamp Connector, Satin |
| 28 ---- | RG912040 | Filter, Porvair, Yoke |
| ----- | RA121117 | Filter, Porvair (20pk) |
| 29 ---- | RG912224 | O-ring (10 pk) |
| 30 ---- | RG912038 | Dust Cap |
| 31 ---- | RG912419 | Yoke Clamp Screw, Comolded |
| 32 ---- | RG912336 | Handwheel, 300 Bar, Satin |
| 33 ---- | RG912059 | Conical Filter, DIN |
| 34 ---- | RG912058 | Handwheel Connector, Satin |
| 35 ---- | RG912127 | Protective Cap, DIN |

**XTX200 (FSR)
2006-Present**



WARNING: The 5th port upgrade kit **MUST NOT** be added to any older XTX200 1st stage manufactured prior to 2013. The 2013> models have a square decal on the first stage body.

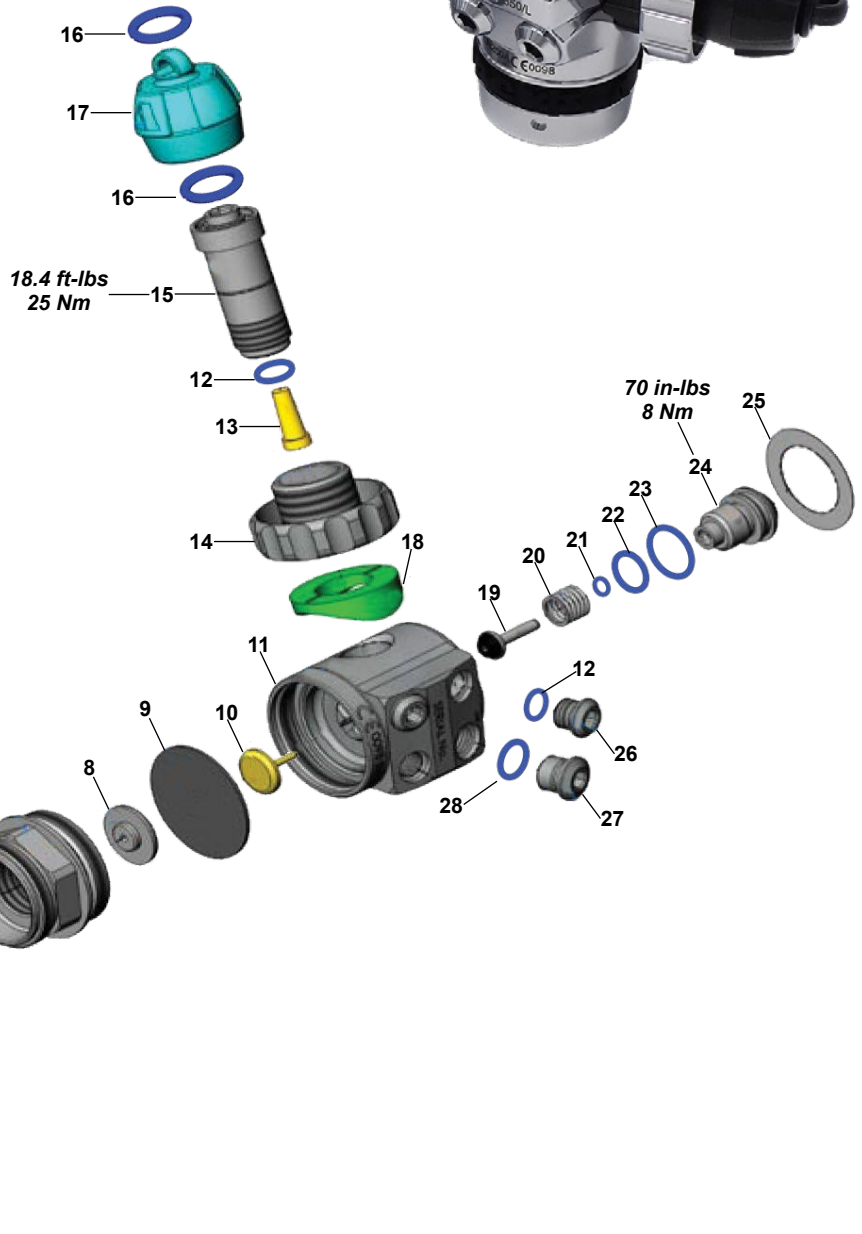
NOTE: In 2013, the XTX 200 body (11) was changed. If ordering the new 2013 body make sure to order the 2013> decal for a proper fit.



| KEY# | PART# | DESCRIPTION | KEY# | PART# | DESCRIPTION |
|---------|-----------------|---|---------|-----------------|---|
| ----- | RT141114 | Service Kit, Diaphragm First Stage | 14 ---- | RG912048 | HP Valve |
| ----- | RT132111 | XTX200, First Stage only, w/Yoke | 15 ---- | RG912047 | Spring |
| ----- | RT132113 | XTX200, First Stage only, w/DIN | 16 ---- | RG912227 | O-ring (10 pk) |
| ----- | RA112118 | DIN Conversion Kit, Comolded | 17 ---- | RG912228 | O-ring (10 pk) |
| ----- | RA117114 | 5th Port Upgrade Kit, 2013>XTX only | 18 ---- | RG911117 | HP Balance Plug, Chrome, XTX, Tungsten |
| 1 ---- | RG912068 | Environmental End Cap, Chrome, XTX | 19 ---- | RG912036 | Yoke Clamp, Chrome, XTX |
| ----- | RG912069 | Environmental End Cap, PVD Tung | ----- | RG912298 | Yoke Clamp, PVD, Tungsten |
| 2 ---- | RG912275 | Hydrostatic Diaphragm, XTX (3-color) | 20 ---- | RG912059 | Conical Filter (DIN) |
| ----- | RG912066 | Hydrostatic Diaphragm, XTX | 21 ---- | RG912041 | Yoke Clamp Connector, Chrome, XTX, Tung |
| ----- | RG912416 | Hydrostatic Diaphragm, Tungsten | 22 ---- | RG912040 | Filter, Porvair (Yoke) |
| 3 ---- | RG912067 | Hydrostatic Transmitter | ----- | RA121117 | Filter, Porvair (20pk) |
| 4 ---- | RG912061 | Spring Adjuster | 23 ---- | RG912038 | Protective Cap |
| 5 ---- | RG912376 | Molded Logo Ring, XTX | 24 ---- | RG912224 | O-ring (10 pk) |
| 6 ---- | RG912303 | Diaphragm Clamp, Chrome, XTX | 25 ---- | RG912417 | Yoke Clamp Screw, Comolded |
| 7 ---- | RG912271 | Spring | 26 ---- | RG912217 | Handwheel, 300 Bar, XTX, Tungsten |
| 8 ---- | RG912362 | Spring Carrier | 27 ---- | RG912057 | Handwheel Connector, Chrome, XTX, Tung |
| 9 ---- | RG912062 | Diaphragm | 28 ---- | RG912127 | Protective Cap, DIN |
| 10 ---- | RG912115 | Valve Lifter | 29 ---- | RG912464 | Decal, Body, XTX200 (2013>) |
| 11 ---- | RG912320 | Body, Chrome, XTX (2013>) | ----- | RG912350 | Decal, Body, XTX Tungsten (2013>) |
| ----- | RG912321 | Body, XTX Tungsten (2013>) | ----- | RG912291 | Decal, Body, XTX Tungsten (<2013) |
| 12 ---- | RG912229 | O-ring (10 pk) | 30 ---- | RG912045 | 7/16" HP Blanking Plug |
| 13 ---- | RG912114 | Removable HP Valve Seat (Crown) | 31 ---- | RG912453 | O-ring (10 pk) |
| | | | 32 ---- | RG912042 | 3/8" MP Blanking Plug |

Part numbers in **BOLD ITALICS** indicate standard overhaul replacement part.

TEK 3
2007-Present

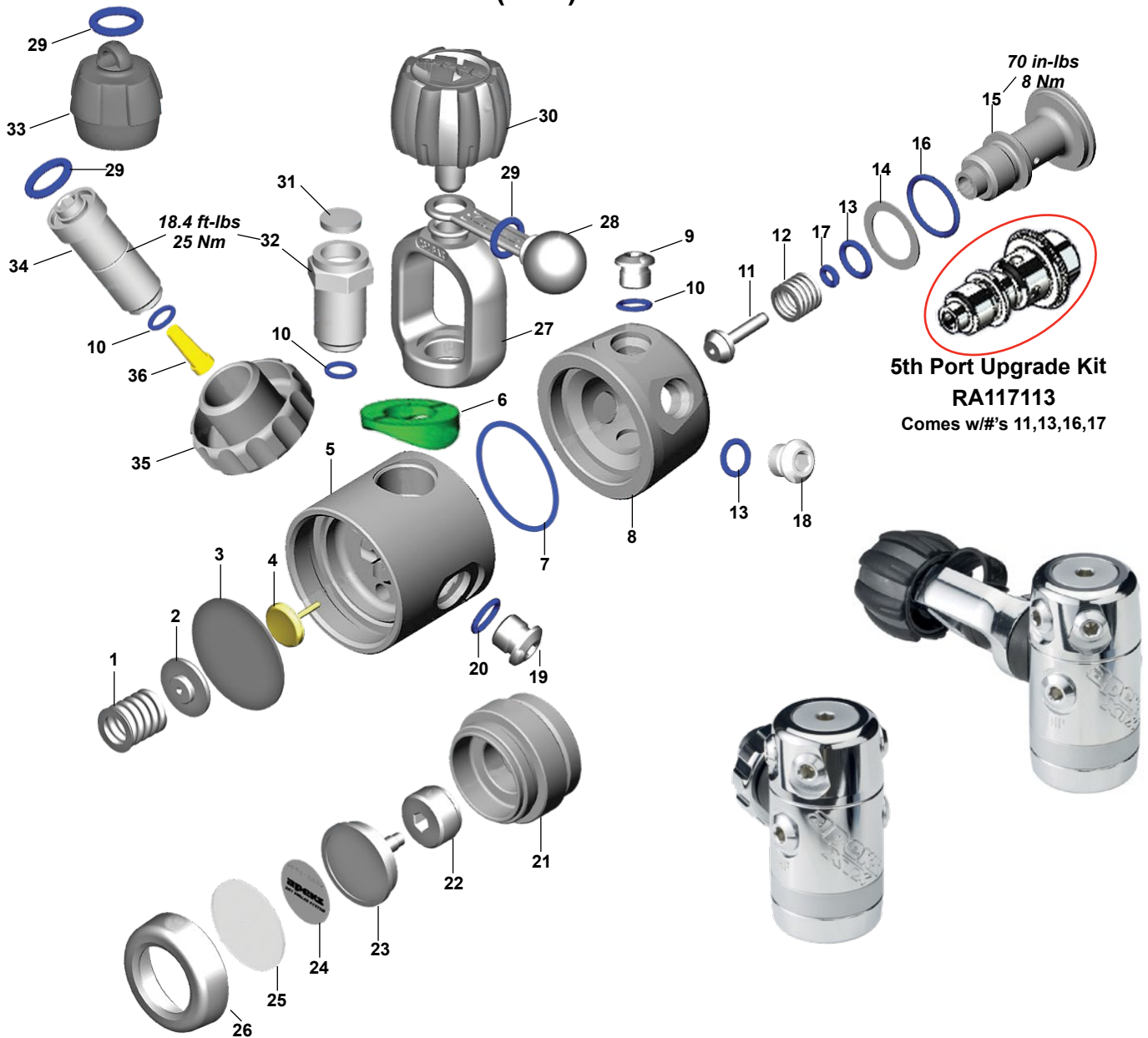


| KEY# | PART# | DESCRIPTION |
|---------------|-----------------|---|
| ----- | RT141114 | Service Kit, Diaphragm First Stage |
| ----- | RT133113 | TEK3 First Stage Set |
| 1---- | RG912068 | Environmental End Cap, Chrome |
| 2---- | RG912066 | Hydrostatic Diaphragm |
| 3---- | RG912067 | Hydrostatic Transmitter |
| 4---- | RG912061 | Spring Adjuster |
| 5---- | RG912271 | Spring |
| 6---- | RG912376 | Molded Logo Ring |
| 7---- | RG912303 | Diaphragm Clamp, Chrome |
| 8---- | RG912362 | Spring Carrier |
| 9---- | RG912062 | Diaphragm |
| 10---- | RG912063 | Valve Lifter |
| 11---- | RG912322 | TEK3 LH Valve Body |
| ----- | RG912323 | TEK3 RH Valve Body |
| 12---- | RG912229 | O-ring (10 pk) |

| KEY# | PART# | DESCRIPTION |
|---------------|-----------------|-----------------------------|
| 13---- | RG912059 | Conical Filter |
| 14---- | RG912055 | DIN Handwheel, Chrome |
| 15---- | RG912057 | Handwheel Connector, Chrome |
| 16---- | RG912224 | O-ring (10 pk) |
| 17---- | RG912127 | DIN Protective Cap |
| 18---- | RG912053 | Distance Piece |
| 19---- | RG912048 | HP Valve |
| 20---- | RG912047 | Spring |
| 21---- | RG912227 | O-ring (10 pk) |
| 22---- | RG912230 | O-ring (10 pk) |
| 23---- | RG912228 | O-ring (10 pk) |
| 24---- | RG912325 | HP Balance Plug |
| 25---- | TL900015 | TEK3 Decal |
| 26---- | RG912042 | 3/8" UNF Blanking Plug |
| 27---- | RG912045 | 7/16" UNF Blanking Plug |
| 28---- | RG912453 | O-ring (10 pk) |

Part numbers in **BOLD ITALICS** indicate standard overhaul replacement part.

XTX50 (DST) 2006-Present



**5th Port Upgrade Kit
RA117113
Comes w/#'s 11,13,16,17**

KEY# PART# DESCRIPTION

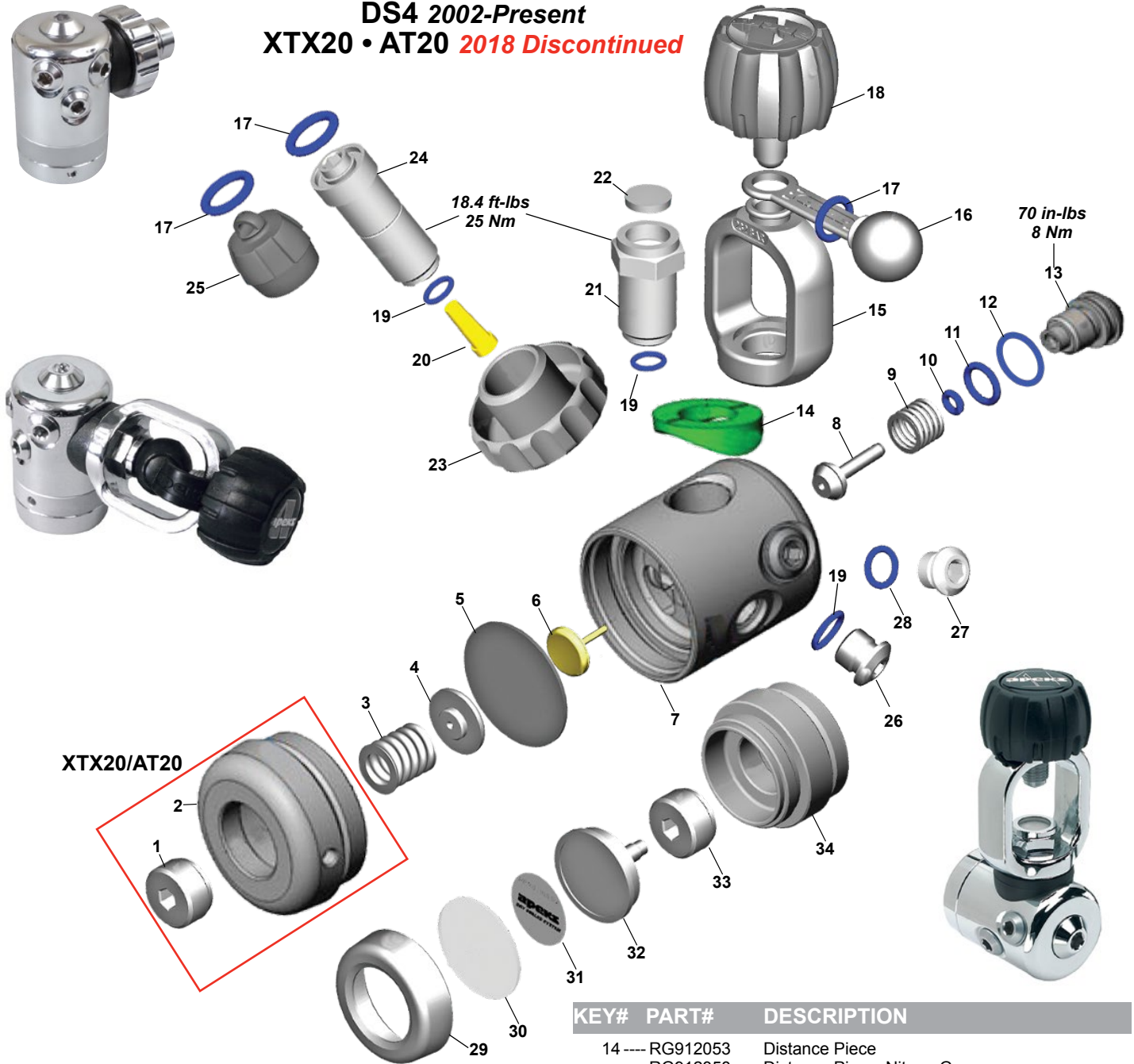
| | | |
|---------------|-----------------|---|
| ----- | RT141114 | Service Kit, Diaphragm First Stage |
| ----- | RT129116 | XTX50, First Stage only, w/Yoke |
| ----- | RT129112 | XTX50, First Stage only, w/DIN |
| ----- | RA117113 | 5-Port Turret Upgrade Kit |
| ----- | RA112112 | Din Conversion Kit |
| 1---- | RG912271 | Spring |
| 2---- | RG912362 | Spring Carrier |
| 3---- | RG912062 | Diaphragm |
| 4---- | RG912063 | Valve Lifter |
| 5---- | RG912305 | Body w/Lazer Graphic |
| 6---- | RG912053 | Distance Piece |
| 7---- | RG912231 | O-ring (10 pk) |
| 8---- | RG912106 | Turret with 3/8" MP Port, XTX |
| ----- | RG912306 | Turret with 1/2" MP Port, ATX/TX |
| 9---- | RG912042 | Blanking Plug 3/8" |
| 10---- | RG912229 | O-ring (10 pk) |
| 11---- | RG912048 | HP Valve |
| 12---- | RG912047 | Spring |
| 13---- | RG912230 | O-ring (10 pk) |
| 14---- | RG912046 | Thrust Washer |
| 15---- | RG912307 | Turret Retaining Bolt |

KEY# PART# DESCRIPTION

| | | |
|---------------|-----------------|-------------------------------|
| 16---- | RG912232 | O-ring (10 pk) |
| 17---- | RG912227 | O-ring (10 pk) |
| 18---- | RG912072 | Blanking Plug 1/2", ATX, TX |
| 19---- | RG912045 | Blanking Plug 7/16" |
| 20---- | RG912453 | O-ring (10 pk) |
| 21---- | RG912060 | Diaphragm Clamp |
| 22---- | RG912061 | Spring Adjuster |
| 23---- | RG912067 | Hydrostatic Transmitter |
| 24---- | RG912347 | Decal |
| 25---- | RG912065 | Hydrostatic Diaphragm |
| 26---- | RG912068 | Environmental End Cap |
| 27---- | RG912036 | Yoke Clamp |
| 28---- | RG912038 | Protective Cap |
| 29---- | RG912224 | O-ring (10 pk) |
| 30---- | RG912417 | Yoke Clamp Screw, Comolded |
| 31---- | RG912040 | Filter, Porvair (Yoke) |
| ----- | RA121117 | Filter, Porvair (20pk) |
| 32---- | RG912041 | Yoke Clamp Connector |
| 33---- | RG912127 | Protective Cap DIN |
| 34---- | RG912057 | Handwheel Connector |
| 35---- | RG912055 | Handwheel 300 Bar |
| 36---- | RG912059 | Conical Filter (DIN) |

Part numbers in **BOLD ITALICS** indicate standard overhaul replacement part.

DS4 2002-Present
XTX20 • AT20 2018 Discontinued



XTX20/AT20

KEY# PART# DESCRIPTION

KEY# PART# DESCRIPTION

- **RT141114** **Service Kit, Diaphragm First Stages**
- RT134114 DS4 First Stage, Yoke, Dry Kit
- RT134113 DS4 First Stage, DIN, Dry Kit
- RA112112 DIN Conversion Kit
- 1 ---- RG912304 Spring Adjuster, US4
- 2 ---- RG912071 Diaphragm Cap, US4
- 3 ---- RG912271 Spring
- 4 ---- RG912362 Spring Carrier
- 5 ---- RG912062 Diaphragm**
- 6 ---- RG912063 Valve Lifter
- 7 ---- RG912107 Body
- 8 ---- RG912048 HP Valve**
- 9 ---- RG912047 Spring
- 10 ---- RG912227 O-ring (10 pk)**
- 11 ---- RG912230 O-ring (10 pk)**
- 12 ---- RG912228 O-ring (10 pk)**
- 13 ---- RG912325 HP Balance Plug

- 14 ---- RG912053 Distance Piece
- RG912358 Distance Piece, Nitrox, Green
- 15 ---- RG912036 Yoke Clamp
- 16 ---- RG912038 Protective Cap
- 17 ---- RG912224 O-ring (10 pk)**
- 18 ---- RG912417 Yoke Clamp Screw, Comolded
- 19 ---- RG912229 O-ring (10 pk)**
- 20 ---- RG912059 Conical Filter (DIN)**
- 21 ---- RG912041 Yoke Clamp Connector
- 22 ---- RG912040 Filter, Porvair (Yoke)**
- RA121117 Filter, Porvair (20pk)
- 23 ---- RG912055 Handwheel 300 Bar, Chrome
- 24 ---- RG912057 Handwheel Connector, Chrome
- 25 ---- RG912127 DIN Protective Cap
- 26 ---- RG912042 3/8" UNF Blanking Plug
- 27 ---- RG912045 7/16" UNF Blanking Plug
- 28 ---- RG912453 O-ring (10 pk)**
- 29 ---- RG912068 Environmental Cap
- 30 ---- RG912065 Hydrostatic Diaphragm**
- 31 ---- RG912347 Decal
- RG912457 Decal, Nitrox
- 32 ---- RG912067 Hydrostatic Transmitter
- 33 ---- RG912061 Spring Adjuster
- 34 ---- RG912060 Diaphragm Clamp, DS4

Part numbers in **BOLD ITALICS** indicate standard overhaul replacement part.

Flight 2010-Present



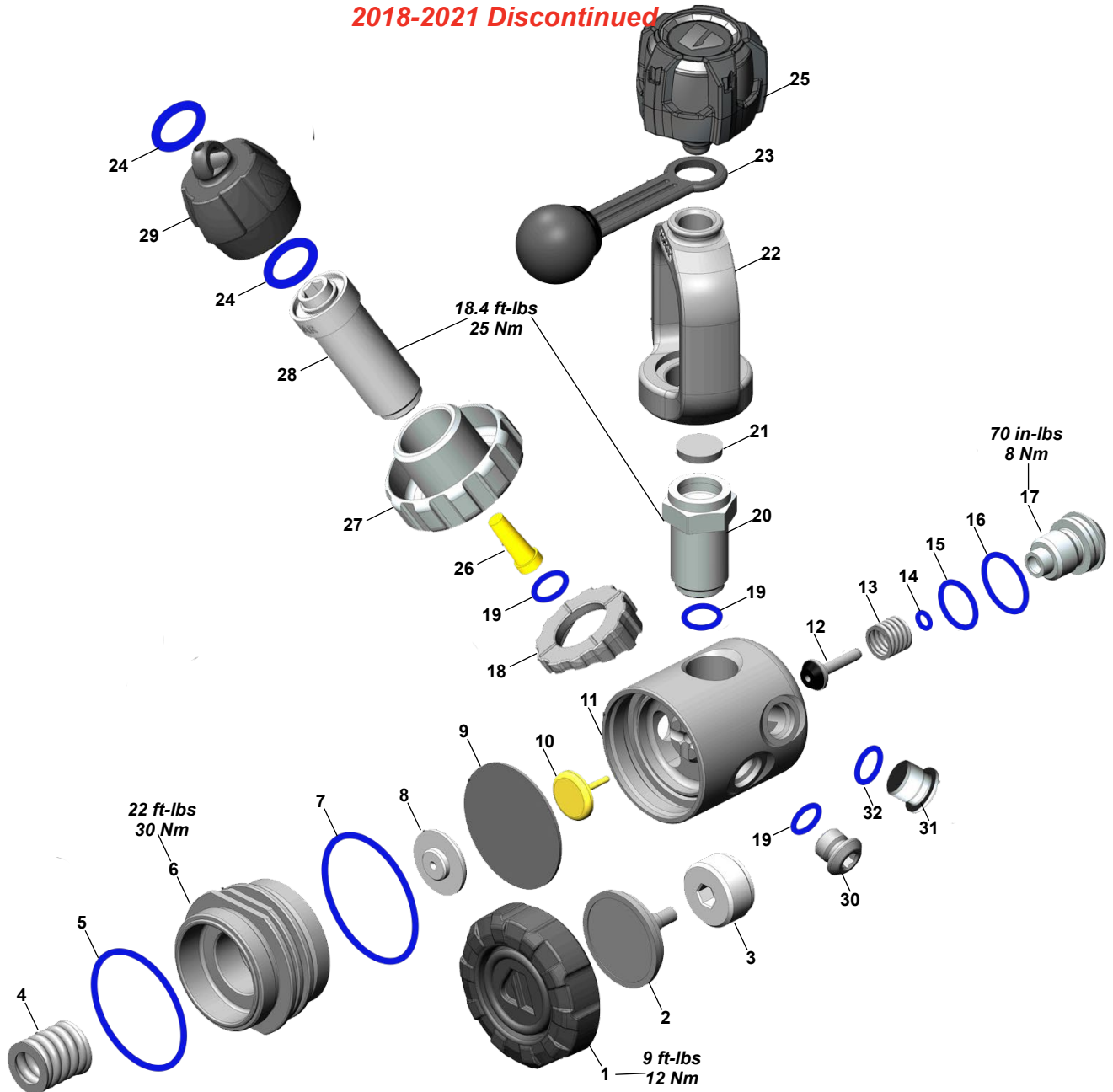
| KEY# | PART# | DESCRIPTION |
|---------------|-----------------|--|
| ----- | RT141115 | Service Kit, Flight First Stage |
| ----- | RA112113 | DIN Conversion Kit |
| 1---- | RG912380 | Spring Adjuster |
| 2---- | RG912272 | MP Spring |
| 3---- | RG912381 | Spring Carrier |
| 4---- | RG912116 | Diaphragm Clamp, Composite |
| 5---- | NLA | Rubber Ring |
| 6---- | RG912117 | Diaphragm |
| 7---- | RG912459 | Splitter |
| 8---- | RG912327 | Valve Lifter |
| 9---- | RG912328 | Body |
| 10---- | RG912378 | Jacket, Pewter |
| ---- | RG912379 | Jacket, Twilight |
| 11---- | RG912229 | O-ring (10 pk) |
| 12---- | RG912042 | Blanking Plug, 3/8" MP Port |
| 13---- | RG912453 | O-ring (10 pk) |
| 14---- | RG912045 | Blanking Plug, 7/16" HP Port |
| 15---- | RG912118 | HP Valve |
| 16---- | RG912047 | Spring |

| KEY# | PART# | DESCRIPTION |
|---------------|-----------------|-----------------------|
| 17---- | RG912227 | O-ring (10 pk) |
| 18---- | RG912226 | O-ring (10 pk) |
| 19---- | RG912377 | Hood |
| 20---- | RG912240 | Yoke Connector |
| 21---- | RG912286 | Filter, Yoke |
| 22---- | RG912330 | Circlip |
| 23---- | RG912372 | Plastic Clip |
| 24---- | RG912329 | Yoke Clamp |
| 25---- | RG912382 | Yoke Cover |
| 26---- | RG912373 | Dust Cap |
| 27---- | RG912224 | O-ring (10 pk) |
| 28---- | RG912374 | Yoke Knob |
| 29---- | RG912326 | Handwheel Hex Axle |
| 30---- | RG912348 | Decal |
| 31---- | RG912018 | DIN Connector |
| 32---- | RG912217 | DIN Handwheel |
| 33---- | RG912119 | Filter, DIN |
| 34---- | RG912120 | DIN Bolt |
| 35---- | RG912127 | Dust Cap |

Part numbers in **BOLD ITALICS** indicate standard overhaul replacement part.

XL4 (DB4)

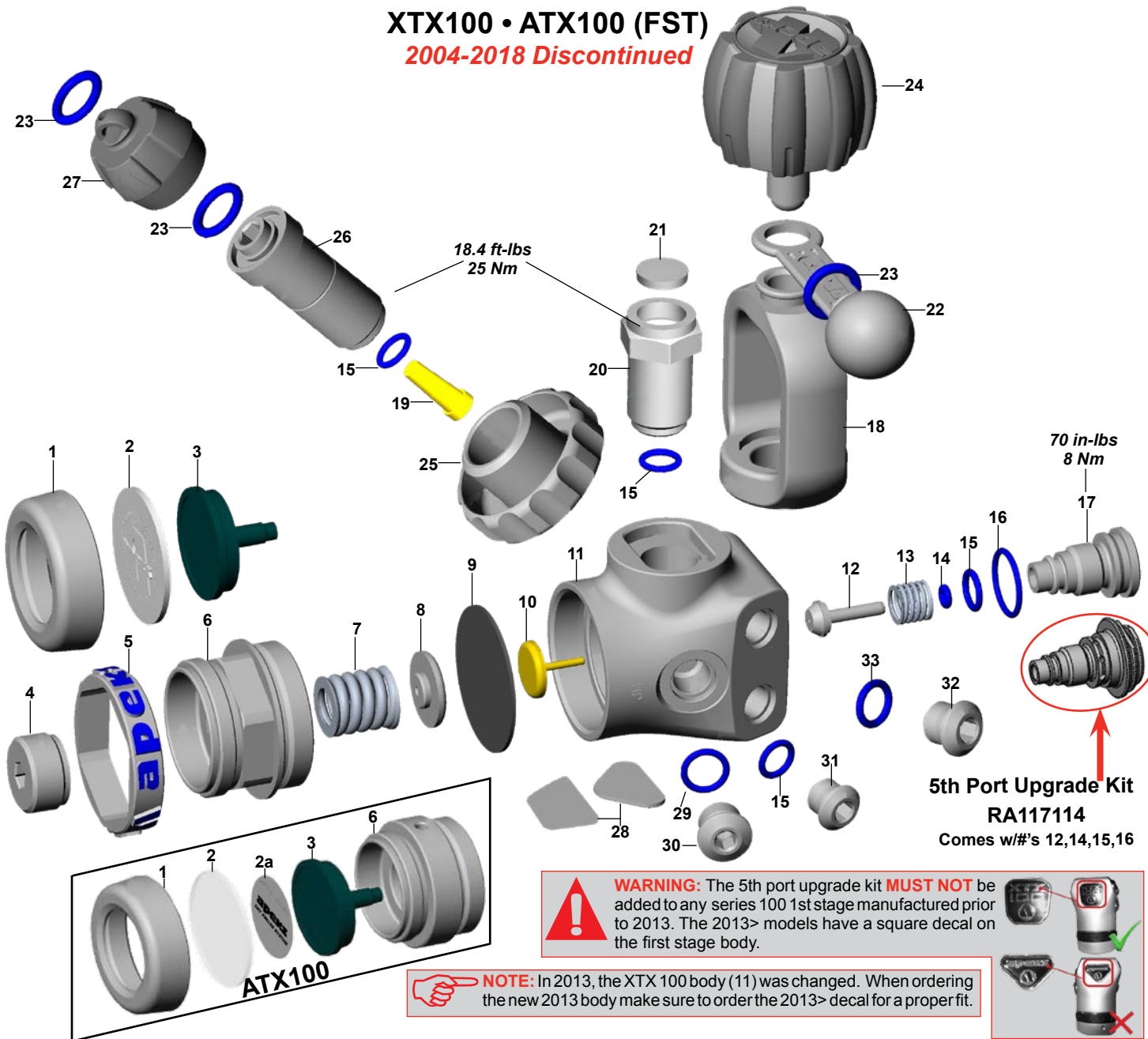
2018-2021 Discontinued



| KEY# | PART# | DESCRIPTION |
|--------|-----------------|--|
| ---- | RT141114 | Service Kit, Diaphragm First Stages |
| ---- | RA112115 | DIN Conversion Kit, Satin |
| 1---- | RG912078 | Environmental End Cap (Black) |
| 2---- | RG912067 | Hydrostatic Transmitter |
| 3---- | RG912061 | Spring Adjuster |
| 4---- | RG912271 | Spring |
| 5---- | RG912454 | O-ring (10 pk) |
| 6---- | RG912313 | Diaphragm Clamp, Finned Satin |
| 7---- | RG912269 | O-ring |
| 8---- | RG912362 | Spring Carrier |
| 9---- | RG912062 | Diaphragm |
| 10---- | RG912063 | Valve Lifter |
| 11---- | RG912346 | Body, XL4, (2-HP Ports) Satin |
| 12---- | RG912048 | HP Valve |
| 13---- | RG912047 | Spring |
| 14---- | RG912227 | O-ring (10 pk) |
| 15---- | RG912230 | O-ring (10 pk) |
| 16---- | RG912228 | O-ring (10 pk) |

| KEY# | PART# | DESCRIPTION |
|--------|-----------------|-------------------------------|
| 17---- | RG912325 | HP Balance Plug |
| 18---- | RG912053 | Distance Piece (Black) |
| 19---- | RG912229 | O-ring (10 pk) |
| 20---- | RG912041 | Yoke Clamp Connector (Chrome) |
| 21---- | RG912040 | Filter, Porvair (Yoke) |
| ---- | RA121117 | Filter, Porvair (20pk) |
| 22---- | RG912037 | Yoke Clamp, Satin |
| 23---- | RG912038 | Dust Cap (Black) |
| 24---- | RG912224 | O-ring (10 pk) |
| 25---- | RG912417 | Yoke Clamp Screw Co-Molded |
| 26---- | RG912059 | Conical Filter (DIN) |
| 27---- | RG912056 | Handwheel 300 Bar, Satin |
| 28---- | RG912058 | Handwheel Connector, Satin |
| 29---- | RG912127 | DIN Protective Cap (Black) |
| 30---- | RG912042 | 3/8" UNF Blanking Plug |
| 31---- | RG912045 | 7/16" UNF Blanking Plug |
| 32---- | RG912453 | O-ring (10 pk) |

XTX100 • ATX100 (FST)
2004-2018 Discontinued



WARNING: The 5th port upgrade kit **MUST NOT** be added to any series 100 1st stage manufactured prior to 2013. The 2013> models have a square decal on the first stage body.

NOTE: In 2013, the XTX 100 body (11) was changed. When ordering the new 2013 body make sure to order the 2013> decal for a proper fit.

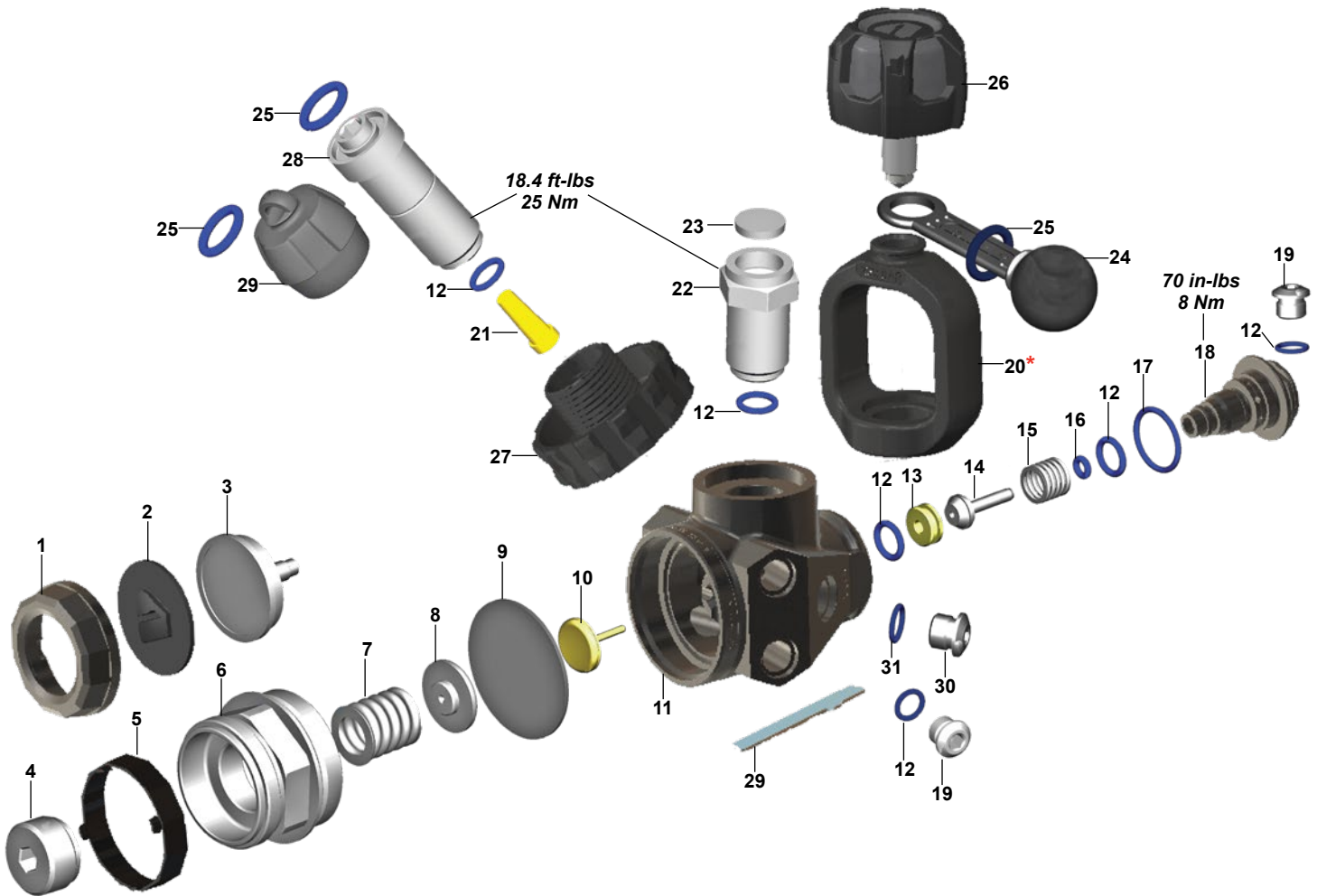
| KEY# | PART# | DESCRIPTION |
|--------|-----------------|---|
| ----- | RT141114 | Service Kit, Diaphragm First Stage |
| ----- | RA112115 | DIN Conversion Kit |
| ----- | RA117114 | 5th Port Upgrade Kit, 2013>XTX only |
| 1---- | RG912070 | Environmental End CAP |
| 2---- | RG912275 | Hydrostatic Diaphragm, XTX (3-color) |
| ----- | RG912066 | Hydrostatic Diaphragm, XTX |
| ----- | RG912065 | Hydrostatic Diaphragm, ATX |
| 2a---- | RG912347 | Environmental Decal (ATX) |
| 3---- | RG912067 | Hydrostatic Transmitter |
| 4---- | RG912061 | Spring Adjuster |
| 5---- | RG912376 | Molded Logo Ring, XTX |
| 6---- | RG912303 | Diaphragm Clamp, XTX |
| ----- | RG912060 | Diaphragm Clamp, ATX |
| 7---- | RG912271 | Spring |
| 8---- | RG912362 | Spring Carrier |
| 9---- | RG912062 | Diaphragm |
| 10---- | RG912063 | Valve Lifter |
| 11---- | RG912105 | Body, FST, 3/8" MP Port, XTX (2013>) |
| 12---- | RG912048 | HP Valve |
| 13---- | RG912047 | Spring |

| KEY# | PART# | DESCRIPTION |
|--------|-----------------|----------------------------------|
| 14---- | RG912227 | O-ring (10 pk) |
| 15---- | RG912229 | O-ring (10 pk) |
| 16---- | RG912228 | O-ring (10 pk) |
| 17---- | RG912108 | HP Balance Plug |
| 18---- | RG912037 | Yoke Clamp |
| 19---- | RG912059 | Conical Filter (DIN) |
| 20---- | RG912299 | Yoke Clamp Connector |
| 21---- | RG912040 | Filter, Porvair (Yoke) |
| ----- | RA121117 | Filter, Porvair (20pk) |
| 22---- | RG912038 | Protective CAP |
| 23---- | RG912224 | O-ring (10 pk) |
| 24---- | RG912417 | Yoke Clamp Screw, Comolded |
| 25---- | RG912056 | Handwheel 300 bar |
| 26---- | RG912058 | Handwheel Connector |
| 27---- | RG912127 | Protective DIN CAP |
| 28---- | RG912353 | Decal, Body (2013>) |
| ----- | N/A | Decal, Body (<2013) no sub |
| 29---- | RG912453 | O-ring (10 pk) |
| 30---- | RG912045 | 7/16" HP Blanking Plug |
| 31---- | RG912042 | 3/8" MP Blanking Plug |
| 32---- | RG912072 | 1/2" MP Blanking Plug (ATX only) |
| 33---- | RG912230 | O-ring (10pk) |

Part numbers in **BOLD ITALICS** indicate standard overhaul replacement part.

Black Sapphire

2015-2016 Discontinued



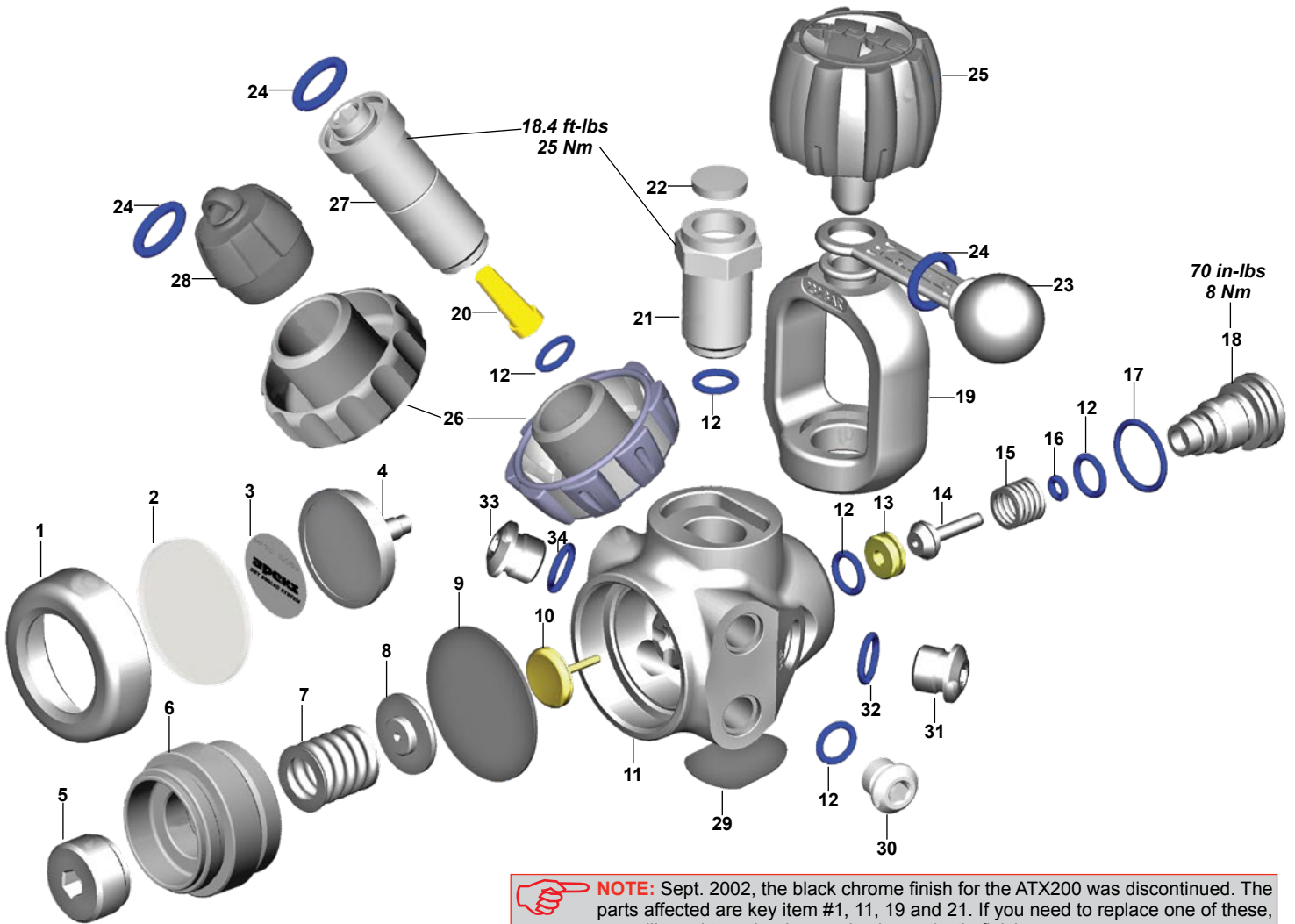
NOTE: The original yoke clamp (20) for the Black Sapphire is no longer available. You can replace with the yoke clamp for the Tungsten regulator. Be aware the Tungsten finish is not an exact color match for the Black Sapphire.

| KEY# | PART# | DESCRIPTION |
|-------|-----------------|---|
| ----- | RT141114 | Service Kit, Diaphragm First Stage |
| 1 | RG912156 | Environmental End Cap |
| 2 | RG912416 | Hydrostatic Diaphragm |
| 3 | RG912067 | Hydrostatic Transmitter |
| 4 | RG912061 | Spring Adjuster |
| 5 | RG912155 | Clamp Ring |
| 6 | RG912303 | Diaphragm Clamp, Chrome, XTX |
| 7 | RG912271 | Spring |
| 8 | RG912362 | Spring Carrier |
| 9 | RG912062 | Diaphragm |
| 10 | RG912115 | Valve Lifter |
| 11 | RG912335 | Body, Blk Sapphire |
| 12 | RG912229 | O-ring (10 pk) |
| 13 | RG912114 | Removable HP Valve Seat (Crown) |
| 14 | RG912048 | HP Valve |
| 15 | RG912047 | Spring |
| 16 | RG912227 | O-ring (10 pk) |

| KEY# | PART# | DESCRIPTION |
|------|-----------------|-------------------------------|
| 17 | RG912228 | O-ring (10 pk) |
| 18 | RG911118 | 5th Port |
| 19 | RG912042 | 3/8" MP Blanking Plug |
| 20 | RG912298 | *Yoke Clamp, Tungsten |
| 21 | RG912059 | Conical Filter (DIN) |
| 22 | RG912041 | Yoke Clamp Connector, Chrome |
| 23 | RG912040 | Filter, Porvair (Yoke) |
| | -----RA121117 | Filter, Porvair (20pk) |
| 24 | RG912038 | Protective Cap |
| 25 | RG912224 | O-ring (10 pk) |
| 26 | RG912417 | Yoke Clamp Screw |
| 27 | RG912157 | Handwheel, 300 Bar |
| 28 | RG912057 | Handwheel Connector, Chrome |
| 29 | RG912127 | Protective Cap, DIN |
| 29 | RG912354 | Decal, Body |
| 30 | RG912045 | 7/16" HP Blanking Plug |
| 31 | RG912453 | O-ring (10 pk) |

Part numbers in **BOLD ITALICS** indicate standard overhaul replacement part.

ATX200 (FSR)
2002-2008 Discontinued



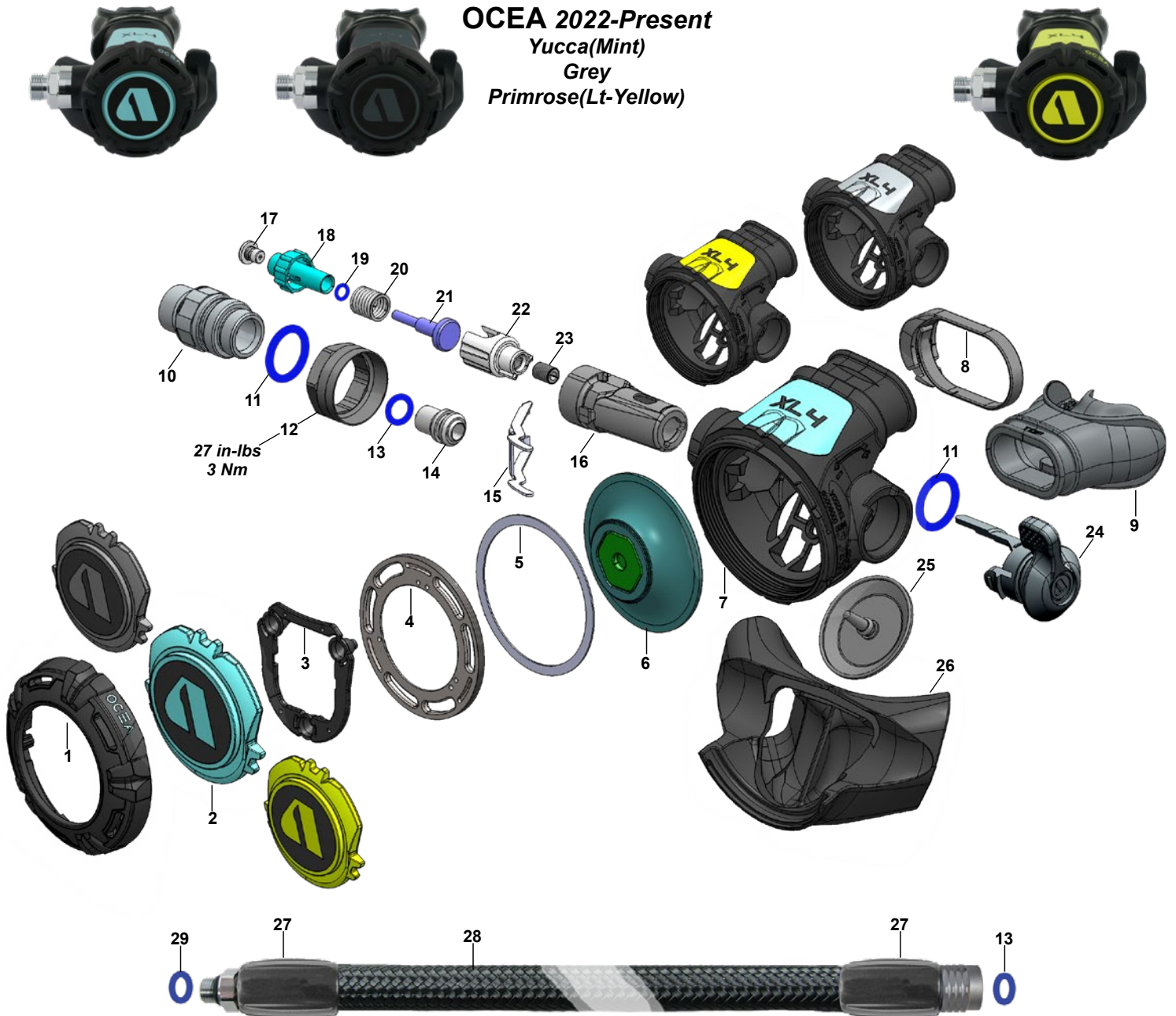
NOTE: Sept. 2002, the black chrome finish for the ATX200 was discontinued. The parts affected are key item #1, 11, 19 and 21. If you need to replace one of these, you will need to order the part in chrome/satin finish.

| KEY# | PART# | DESCRIPTION |
|----------------|-----------------|---|
| ----- | RT141114 | Service Kit, Diaphragm First Stage |
| ----- | RA112115 | DIN Conversion Kit, Satin, ATX |
| ----- | RA112118 | DIN Conversion Kit, Comolded, Tungsten |
| 1 ---- | RG912070 | Environmental End Cap, Satin |
| ----- | RG912069 | Environmental End Cap, PVD, Tungsten |
| 2 ---- | RG912065 | Hydrostatic Diaphragm, ATX |
| ----- | RG912066 | Hydrostatic Diaphragm, Tungsten |
| 3 ---- | RG912347 | Decal |
| 4 ---- | RG912067 | Hydrostatic Transmitter |
| 5 ---- | RG912061 | Spring Adjuster |
| 6 ---- | RG912060 | Diaphragm Clamp, Satin |
| 7 ---- | RG912271 | Spring |
| 8 ---- | RG912362 | Spring Carrier |
| 9 ---- | RG912062 | Diaphragm |
| 10 ---- | RG912115 | Valve Lifter |
| 11 ---- | RG912320 | Body, Chrome, XTX (2013>) |
| ----- | RG912321 | Body, XTX Tungsten (2013>) |
| 12 ---- | RG912229 | O-ring (10 pk) |
| 13 ---- | RG912114 | Removable HP Valve Seat (Crown) |
| 14 ---- | RG912048 | HP Valve |
| 15 ---- | RG912047 | Spring |
| 16 ---- | RG912227 | O-ring (10 pk) |
| 17 ---- | RG912228 | O-ring (10 pk) |

| KEY# | PART# | DESCRIPTION |
|----------------|-----------------|--|
| 18 ---- | RG912108 | HP Balance Plug, Satin |
| ----- | RG911117 | HP Balance Plug, Chrome, Tungsten |
| 19 ---- | RG912037 | Yoke Clamp, Satin |
| ----- | RG912298 | Yoke Clamp, PVD, Tungsten |
| 20 ---- | RG912059 | Conical Filter (DIN) |
| 21 ---- | RG912299 | Yoke Clamp Connector, Satin |
| ----- | RG912041 | Yoke Clamp Connector, Chrome, Tungsten |
| 22 ---- | RG912040 | Filter, Porvair (Yoke) |
| ----- | RA121117 | Filter, Porvair (20pk) |
| 23 ---- | RG912038 | Protective Cap |
| 24 ---- | RG912224 | O-ring (10 pk) |
| 25 ---- | RG912417 | Yoke Clamp Screw, Comolded |
| 26 ---- | RG912056 | Handwheel, 300 Bar, Satin |
| ----- | RG912217 | Handwheel, 300 Bar, Tungsten |
| 27 ---- | RG912058 | Handwheel Connector, Satin |
| ----- | RG912057 | Handwheel Connector, Chrome, Tungsten |
| 28 ---- | RG912127 | Protective Cap, DIN |
| 29 ---- | RG912464 | Decal, Body, XTX200 (2013>) |
| 30 ---- | RG912042 | 3/8" MP Blanking Plug |
| 31 ---- | RG912045 | 7/16" HP Blanking Plug |
| 32 ---- | RG912453 | O-ring (10 pk) |
| 33 ---- | RG912072 | 1/2" MP Blanking Plug |
| 34 ---- | RG912230 | O-ring, ATX (10 pk) |

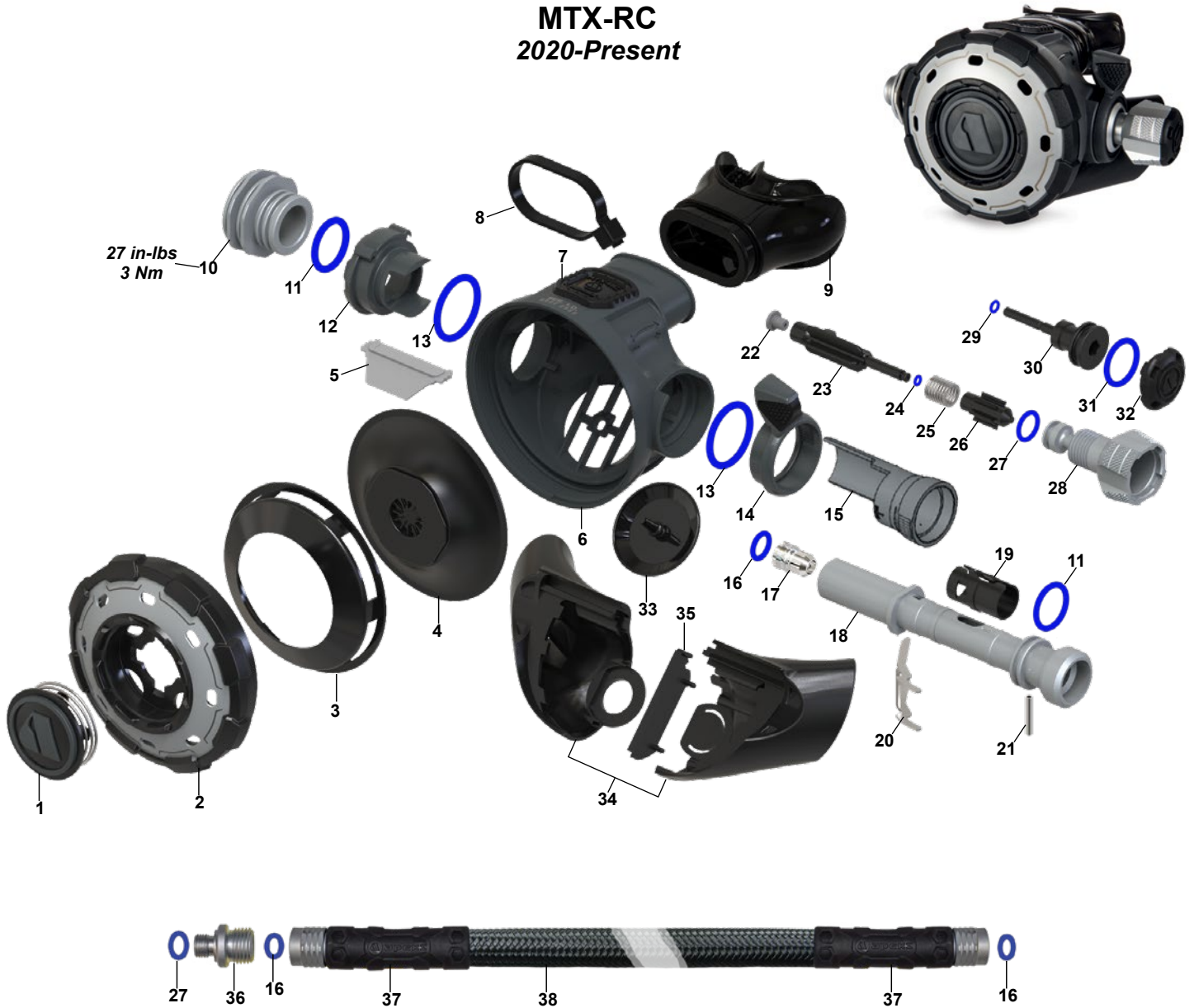
Part numbers in **BOLD ITALICS** indicate standard overhaul replacement part.

OCEA 2022-Present
Yucca(Mint)
Grey
Primrose(Lt-Yellow)



| KEY# | PART# | DESCRIPTION | KEY# | PART# | DESCRIPTION |
|----------------|-----------------|---|----------------|-----------------|--|
| ----- | RS135111 | Universal Second Stage Service Kit | 12 ---- | RG912540 | Inlet Shroud, Enviro |
| ----- | RS118123 | Ocea, Second Stage only,Mint(Yucca) | 13 ---- | RG912222 | O-ring (10 pk) |
| ----- | RS118118 | Ocea, Second Stage only (Grey) | 14 ---- | RG912237 | Seat |
| 1 ---- | RG912547 | Purge Clamp Ring (Blk/Mint/Yucca) | 15 ---- | RG912281 | Lever |
| ----- | RG912545 | Purge Clamp Ring (Blk/Grey) | 16 ---- | RG912522 | XL4 Spindle Body |
| ----- | RG912546 | Purge Clamp Ring (Blk/Yellow/Primrose) | 17 ---- | RG912198 | MP Seat, Silicone |
| 2 ---- | RG912557 | Purge Button,Mint(Yucca) | 18 ---- | RG912112 | Shuttle Valve |
| ----- | RG912555 | Purge Button (Grey) | 19 ---- | RG912235 | O-ring (10 pk) |
| ----- | RG912556 | Purge Button (Ylw/Primrose Octo) | 20 ---- | RG912080 | Spring |
| 3 ---- | RG912432 | Purge Spring | 21 ---- | RG912342 | Spring Carrier |
| 4 ---- | RG912160 | Inner Locking Ring | 22 ---- | RG912429 | Spindle Adjuster Sleeve |
| 5 ---- | RG912297 | Friction Ring | 23 ---- | RG912296 | Micro Adjuster Screw |
| 6 ---- | RG912238 | Diaphragm | 24 ---- | RG912162 | Venturi Lever |
| 7 ---- | RG912542 | Case w/Ex-Valve,Mint(Yucca) | 25 ---- | RG912196 | Exhaust Valve |
| ----- | RG912543 | Case w/Ex-Valve (Grey) | 26 ---- | RG912549 | Exhaust Tee |
| ----- | RG912544 | Case w/Ex-Valve,Ylw(Primrose) | 27 ---- | RG912552 | Hose Protector, Short,Mint(Yucca) |
| 8 ---- | RG911254 | Mouthpiece Clamp (Black) | ----- | RG912415 | Hose Protector, Short, Grey |
| 9 ---- | RA117137 | Mouthpiece (Black) | ----- | RG912551 | Hose Protector, Short, Lt-Yellow(Primrose) |
| ----- | RG912456 | Mouthpiece (Yellow) | 28 ---- | RH114292 | Hose,Braided,3/8"X30" Blk w/Short Yucca Hose Pros |
| 10 ---- | RG912539 | Inlet Fitting, Enviro | ----- | RH114293 | Hose,Braided,3/8"X30" Blk w/Short Grey Hose Pros |
| 11 ---- | RG912225 | O-ring (10 pk) | ----- | RH114294 | Hose,Braided,3/8"X36" Blk w/Short Primrose Hose Pros |
| | | | 29 ---- | RG912229 | O-ring (10 pk) |

MTX-RC
2020-Present



| KEY# | PART# | DESCRIPTION | KEY# | PART# | DESCRIPTION |
|-----------|-----------------|---|-----------|-----------------|--|
| ----- | RS135111 | Universal Second Stage Service Kit | 18 | RG912331 | Valve Spindle, Satin |
| ----- | RS116119 | MTX-RC Second Stage only | 19 | RG912392 | Spindle Collar |
| 1 | RG912462 | Purge Button Assy, MTX-RC | 20 | RG912281 | Lever |
| 2 | RG912466 | Front Cover, MTX-RC | 21 | RG912025 | Spring Pin |
| 3 | RG912384 | Diaphragm Cover, Black | 22 | RG912198 | MP Seat, Silicone |
| 4 | RG912123 | Diaphragm | 23 | RG912090 | Shuttle Valve |
| 5 | RG912091 | Deflector | 24 | RG912234 | O-ring (10 pk) |
| 6 | RG912450 | Case, MTX-RC, Grey | 25 | RG912080 | Spring |
| 7 | RG912461 | Decal, MTX-RC | 26 | RG912092 | Counter-Balance Cylinder |
| ----- | RG912463 | Double-Sided Tape | 27 | RG912229 | O-ring (10 pk) |
| 8 | RG912279 | Mouthpiece Clamp | 28 | RG912470 | Adjusting Knob |
| 9 | RA117137 | Mouthpiece, Comfobite | 29 | RG912235 | O-ring (10pk) |
| 10 | RG912310 | Heat Exchanger | 30 | RG912151 | Spring Adjuster |
| 11 | RG912225 | O-ring (10 pk) | 31 | RG912223 | O-ring (10 pk) |
| 12 | RG912467 | Blanking Piece, Grey | 32 | RG912472 | Adjuster Plug |
| 13 | RG912232 | O-ring (10 pk) | 33 | RG912196 | Exhaust Valve, Silicone |
| 14 | RG912469 | Venturi Ring, Grey | 34 | RA117144 | Large Exhaust Tee Set |
| 15 | RG912390 | Venturi Body | 35 | RG912140 | Exhaust Rib |
| 16 | RG912222 | O-ring (10 pk) | 36 | RA114115 | Adaptor, 3-8 UNF Hose |
| 17 | RG912233 | Seat | 37 | RG912471 | Hose Protector, Grey |
| | | | 38 | RH114288 | Hose, Braided, Double Swivel, Grey, 3/8" X 30" |

Part numbers in **BOLD ITALICS** indicate standard overhaul replacement part.

MTX-RC Octopus
2020-Present



COMING SOON

| KEY# | PART# | DESCRIPTION |
|--------|-----------------|---|
| ----- | RS135111 | Universal Second Stage Service Kit |
| 1---- | RG912245 | Purge Button Assy |
| 2---- | RG9xxxxx | Front Cover |
| 3---- | RG912384 | Diaphragm Cover, Black |
| 4---- | RG912123 | Diaphragm |
| 5---- | RG912091 | Deflector |
| 6---- | RG9xxxxx | Case, Black w/Decal |
| 7---- | RG9xxxxx | Decal |
| 8---- | RG912279 | Mouthpiece Clamp |
| 9---- | RA117137 | Mouthpiece, Comfobite |
| ----- | RG911253 | Mouthpiece, Standard |
| 10---- | RG912310 | Heat Exchanger |
| 11---- | RG912225 | O-ring (10 pk) |
| 12---- | RG912130 | Blanking Piece, Yellow |
| 13---- | RG912232 | O-ring (10 pk) |
| 14---- | RG912149 | Venturi Ring, Yellow |
| 15---- | RG9xxxxx | Venturi, Yellow |
| 16---- | RG912222 | O-ring (10 pk) |

| KEY# | PART# | DESCRIPTION |
|--------|-----------------|--|
| 17---- | RG912233 | Seat |
| 18---- | RG912311 | Valve Spindle, Satin |
| 19---- | RG912392 | Spindle Collar |
| 20---- | RG912281 | Lever |
| 21---- | RG912025 | Spring Pin |
| 22---- | RG912198 | MP Seat, Silicone |
| 23---- | RG912090 | Shuttle Valve |
| 24---- | RG912234 | O-ring (10 pk) |
| 25---- | RG912080 | Spring |
| 26---- | RG912092 | Counter-Balance Cylinder |
| 27---- | RG912229 | O-ring (10 pk) |
| 28---- | RG912312 | Adjusting Screw |
| 29---- | RG912364 | Bumper, Black |
| 30---- | RG912196 | Exhaust Valve, Silicone |
| 31---- | RA117143 | Small Exhaust Tee Set |
| 32---- | RG912361 | Hose Protector, Yellow |
| 33---- | RH113139 | Hose, Braided, Yellow w/Hose Pro, 3/8" X 36" |
| ----- | RH113116 | Hose, Braided, Yellow Dbl-Swvl, 3/8 x 36" |
| 34---- | RA114116 | Adaptor, 3-8 UNF Hose |

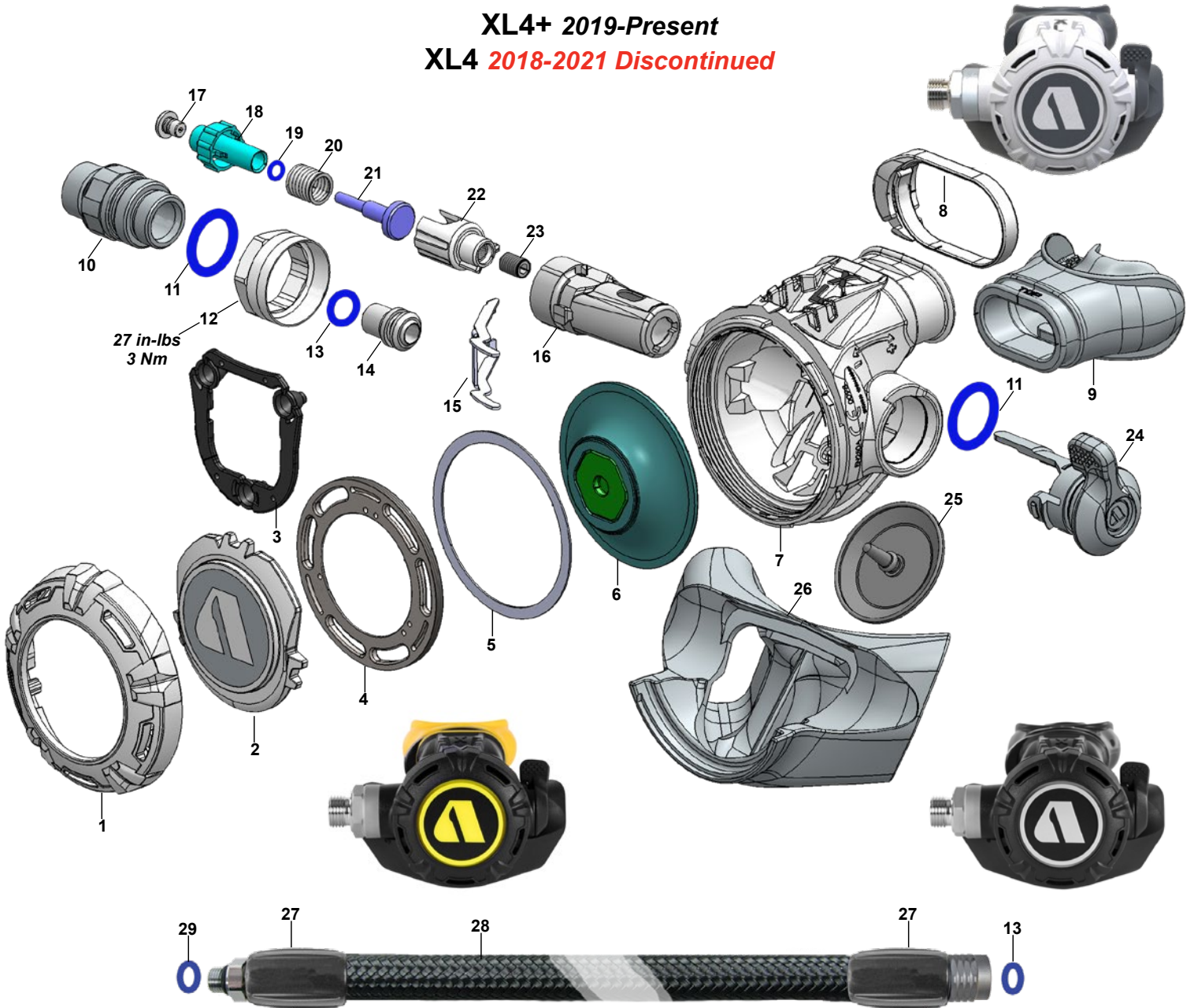
MTX-R
2017-Present



| KEY# | PART# | DESCRIPTION | KEY# | PART# | DESCRIPTION |
|----------------|-----------------|---|----------------|-----------------|--|
| ----- | RS135111 | Universal Second Stage Service Kit | 16 ---- | RG912222 | O-ring (10 pk) |
| ----- | RS116111 | MTX-R Second Stage only | 17 ---- | RG912233 | Seat |
| 1 ---- | RG912243 | Purge Button Assy, MTX-R | 18 ---- | RG912311 | Valve Spindle, Satin |
| ----- | RG912245 | Purge Button Assy, MTX-R Octo | 19 ---- | RG912392 | Spindle Collar |
| 2 ---- | RG912248 | Front Cover, MTX-R | 20 ---- | RG912281 | Lever |
| ----- | RG912249 | Front Cover, MTX-R Octo | 21 ---- | RG912025 | Spring Pin |
| 3 ---- | RG912384 | Diaphragm Cover, Black | 22 ---- | RG912198 | MP Seat, Silicone |
| 4 ---- | RG912123 | Diaphragm | 23 ---- | RG912090 | Shuttle Valve |
| 5 ---- | RG912091 | Deflector | 24 ---- | RG912234 | O-ring (10 pk) |
| 6 ---- | RG912253 | Case, MTX-R, White w/Decal | 25 ---- | RG912080 | Spring |
| ----- | RG912254 | Case, MTX-R Octo, Black w/Decal | 26 ---- | RG912092 | Counter-Balance Cylinder |
| 7 ---- | RG912421 | Decal, MTX-R | 27 ---- | RG912229 | O-ring (10 pk) |
| 8 ---- | RG912279 | Mouthpiece Clamp | 28 ---- | RG912312 | Adjusting Screw |
| 9 ---- | RA117137 | Mouthpiece, Comfobite | 29 ---- | RG912366 | Bumper, White |
| ----- | RG911253 | Mouthpiece, Standard, Octo | ----- | RG912364 | Bumper, Black |
| 10 ---- | RG912310 | Heat Exchanger | 30 ---- | RG912196 | Exhaust Valve, Silicone |
| 11 ---- | RG912225 | O-ring (10 pk) | 31 ---- | RA117144 | Large Exhaust Tee Set |
| 12 ---- | RG912129 | Blanking Piece, Black | ----- | RA117143 | Small Exhaust Tee Set |
| ----- | RG912130 | Blanking Piece, Octo, Yellow | 32 ---- | RG912140 | Exhaust Rib |
| 13 ---- | RG912232 | O-ring (10 pk) | 33 ---- | RG912360 | Hose Protector, Black |
| 14 ---- | RG912367 | Venturi Ring, Blank, Black | ----- | RG912361 | Hose Protector, Yellow |
| ----- | RG912368 | Venturi Ring, Blank, Yellow | 34 ---- | RH114231 | Hose, Braided, Blk Dbl-Swvl, Satin, 3/8" X 30" |
| 15 ---- | RG912390 | Venturi Body | ----- | RH113139 | Hose, Braided, Ylw w/Hose Pro, 3/8" X 36" |
| | | | ----- | RH113116 | Hose, Braided, Ylw Dbl-Swvl, 3/8 x 36" |
| | | | 35 ---- | RA114116 | Adaptor, 3-8 UNF Hose |

Part numbers in **BOLD ITALICS** indicate standard overhaul replacement part.

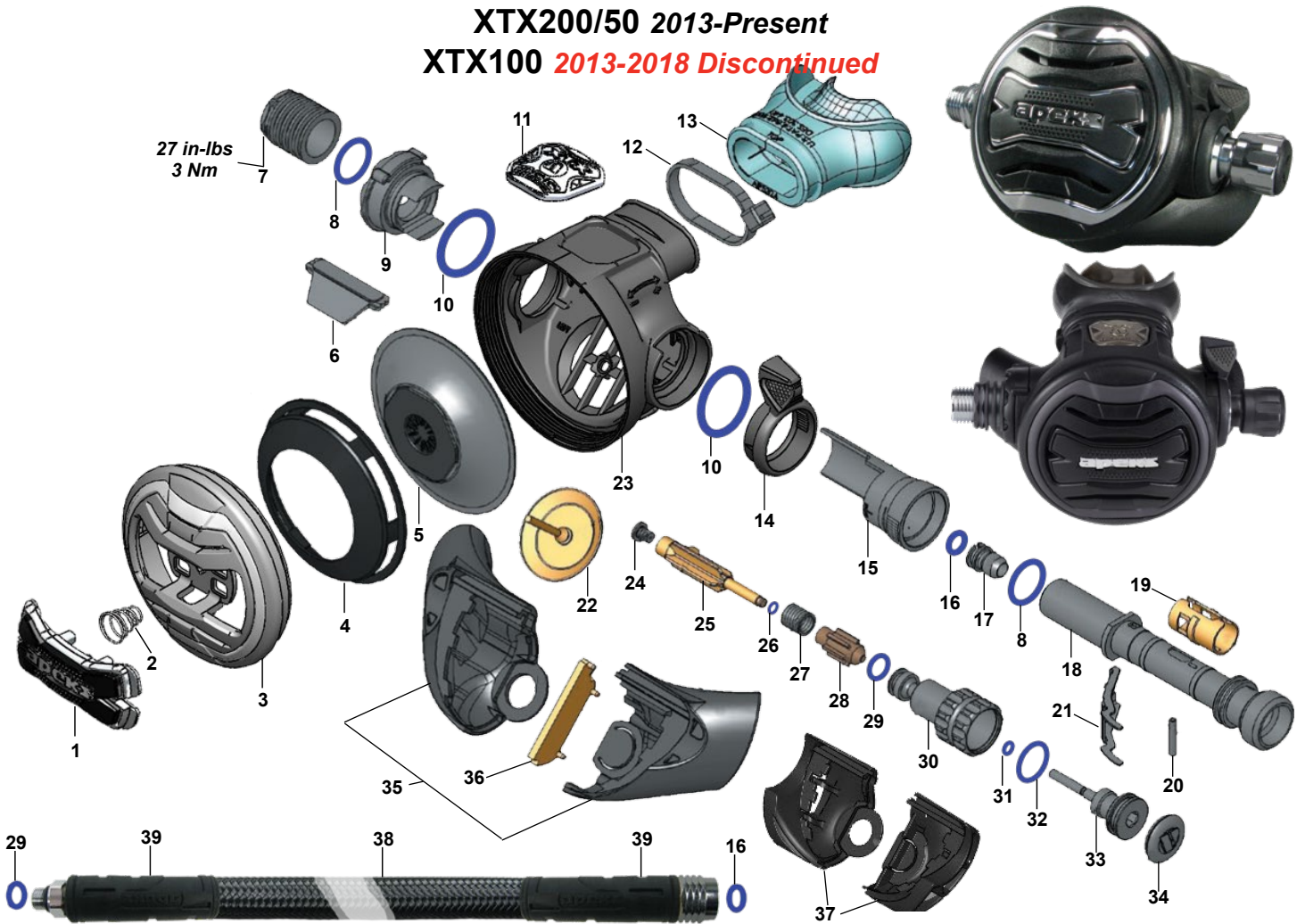
XL4+ 2019-Present
XL4 2018-2021 Discontinued



| KEY# | PART# | DESCRIPTION | KEY# | PART# | DESCRIPTION | | |
|-----------|-----------------|---|-------------------------------------|-----------|-----------------|--------------------------------------|---|
| ----- | RS135111 | Universal Second Stage Service Kit | 13 | ----- | RG912222 | O-ring (10 pk) | |
| ----- | RS118113 | XL4+, Second Stage only (White) | 14 | ----- | RG912237 | Seat | |
| 1 | ----- | RG912435 | Purge Clamp Ring, XL4+ (White) | 15 | ----- | RG912281 | Lever |
| ----- | RG912434 | Purge Clamp Ring (Black) | 16 | ----- | RG912522 | XL4 Spindle Body | |
| 2 | ----- | RG912440 | Purge Button, XL4+ (White) | 17 | ----- | RG912198 | MP Seat, Silicone |
| ----- | RG912438 | Purge Button | 18 | ----- | RG912112 | Shuttle Valve | |
| ----- | RG912441 | Purge Button, Yellow Octo | 19 | ----- | RG912235 | O-ring (10 pk) | |
| 3 | ----- | RG912432 | Purge Spring | 20 | ----- | RG912080 | Spring |
| 4 | ----- | RG912160 | Inner Locking Ring | 21 | ----- | RG912342 | Spring Carrier |
| 5 | ----- | RG912297 | Friction Ring | 22 | ----- | RG912429 | Spindle Adjuster Sleeve |
| 6 | ----- | RG912238 | Diaphragm | 23 | ----- | RG912296 | Micro Adjuster Screw |
| 7 | ----- | RG912437 | Case w/Ex Tee & Valve, XL4+ (White) | 24 | ----- | RG912162 | Venturi Lever |
| ----- | RG912436 | Case w/Ex Tee & Valve (Black) | 25 | ----- | RG912196 | Exhaust Valve | |
| 8 | ----- | RG912514 | Mouthpiece Clamp, XL4+ (Grey) | 26 | ----- | RG912427 | Exhaust Tee, XL4+ (Grey) |
| ----- | RG911254 | Mouthpiece Clamp (Black) | ----- | ----- | RG912161 | Exhaust Tee (Black) | |
| 9 | ----- | RG911123 | Mouthpiece, XL4+ (Grey) | 27 | ----- | RG912414 | Hose Protector, Short, Black |
| ----- | RA117137 | Mouthpiece (Black) | ----- | ----- | RG912415 | Hose Protector, Short, Grey | |
| ----- | RG912456 | Mouthpiece, Yellow | ----- | ----- | AP6814Y | Hose Protector, Short, Yellow | |
| 10 | ----- | RG912343 | Inlet Fitting, Shrouded | 28 | ----- | RH114257 | Hose, Braided, 3/8"X30" White w/Short Grey HosePros |
| 11 | ----- | RG912225 | O-ring (10 pk) | ----- | ----- | RH113111 | Hose, Braided, 3/8"X36" Yellow w/Short Ylw HosePros |
| 12 | ----- | RG912344 | Inlet Shroud | 29 | ----- | RG912229 | O-ring (10 pk) |

Part numbers in **BOLD ITALICS** indicate standard overhaul replacement part.

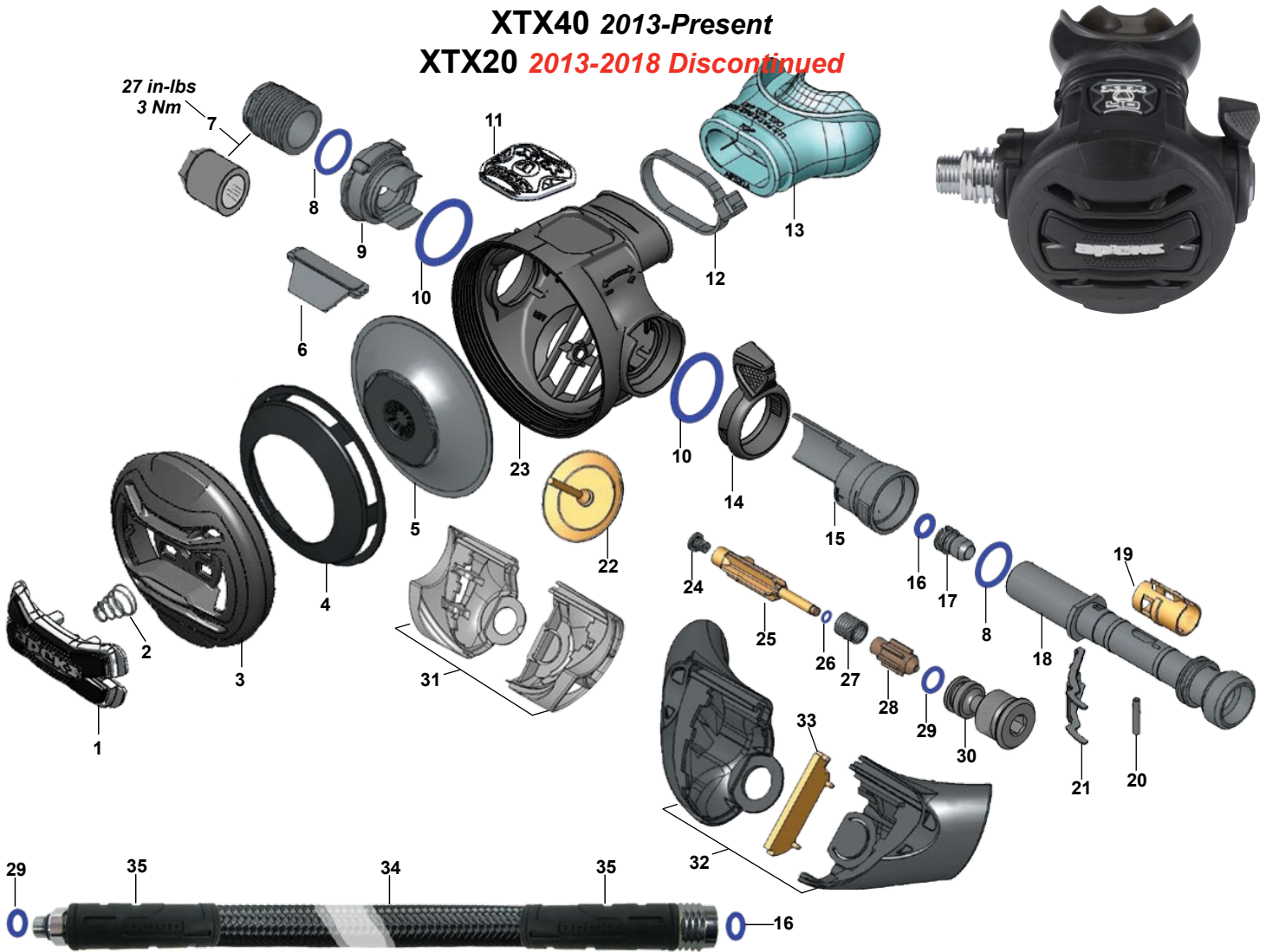
XTX200/50 2013-Present
XTX100 2013-2018 Discontinued



| KEY# | PART# | DESCRIPTION | KEY# | PART# | DESCRIPTION |
|-----------|-----------------|---|-----------|-----------------|---|
| ----- | RS135111 | Universal Second Stage Service Kit | 14 | RG912148 | Venturi Ring |
| ----- | RS129111 | XTX200, Second Stage | ----- | RG912149 | Venturi Ring, Yellow, Octopus |
| ----- | RS132111 | XTX50, Second Stage | 15 | RG912390 | Venturi Lever Body |
| 1 | RG912246 | Purge Button, Chrome, Tungsten/XTX200,w/Spring | 16 | RG912222 | O-ring (10 pk) |
| ----- | RG912023 | Purge Button, Satin, XTX100, w/Spring | 17 | RG912233 | Seat |
| ----- | RG912021 | Purge Button, Black, XTX50, w/Spring | 18 | RG912133 | Valve Spindle, Chrome, Tungsten/XTX200/50 |
| ----- | RG912024 | Purge Button, Yel, XTX50 Octopus, w/Spring | ----- | RG912331 | Valve Spindle, Satin, XTX100 |
| 2 | RG912139 | Spring | 19 | RG912392 | Spindle Collar |
| 3 | RG912255 | Case Cover, Tungsten | 20 | RG912025 | Spring Pin |
| ----- | RG912145 | Case Cover, XTX200 | 21 | RG912281 | Lever |
| ----- | RG912256 | Case Cover, XTX100 | 22 | RG912196 | Exhaust Valve |
| ----- | RG912401 | Case Cover, XTX50 | 23 | RG912142 | Case |
| ----- | RG912144 | Case Cover, Octopus, Yellow | 24 | RG912198 | MP Seat, Silicone |
| 4 | RG912384 | Diaphragm Cover, Black | 25 | RG912090 | Shuttle Valve |
| 5 | RG912123 | Diaphragm | 26 | RG912234 | O-ring (10 pk) |
| 6 | RG912091 | Deflector | 27 | RG912080 | Spring |
| 7 | RG912318 | Heat Exchanger, PVD, Tungsten | 28 | RG912092 | Counter-Balance Cylinder |
| ----- | RG912101 | Heat Exchanger, Chrome, XTX200/50 | 29 | RG912229 | O-ring (10 pk) |
| ----- | RG912103 | Heat Exchanger, Satin, XTX100 | 30 | RG912333 | Adjusting Screw, Tungsten |
| 8 | RG912225 | O-ring (10 pk) | ----- | RG912150 | Adjusting Screw, Chrome, XTX200/50 |
| 9 | RG912129 | Blanking Piece | ----- | RG912334 | Adjusting Screw, Satin, XTX100 |
| ----- | RG912130 | Blanking Piece, Yellow, Octopus | 31 | RG912235 | O-ring (10 pk) |
| 10 | RG912232 | O-ring (10 pk) | 32 | RG912223 | O-ring (10 pk) |
| 11 | RG912349 | Decal, Tungsten (Must also order RG912463 tape) | 33 | RG912151 | Spring Adjuster |
| ----- | RG912292 | Decal, XTX200 (Must also order RG912463 tape) | 34 | RG911873 | Plug |
| ----- | RG912353 | Decal, XTX100 (Must also order RG912463 tape) | 35 | RA117144 | Large Exhaust Tee, Set |
| ----- | RG912146 | Decal, XTX50 (Must also order RG912463 tape) | 36 | RG912140 | Exhaust Rib |
| ----- | RG912409 | Decal, XTX50 Octo (Must also order RG912463 tape) | 37 | RA117143 | Small Exhaust Tee, Set |
| ----- | RG912463 | Double-Sided Adhesive Tape (NOT SHOWN) | 38 | RH114119 | Hose,Braided, w/Hose Protectors, 3/8" X 30" |
| 12 | RG912279 | Mouthpiece Clamp | ----- | RH113115 | Hose,Braided, Yellow w/Hose Pro, 3/8" X 36" |
| 13 | RA117137 | Comfobite Mouthpiece | 39 | RG912360 | Hose Protector, Black |
| | | | ----- | RG912361 | Hose Protector, Yellow |

Part numbers in **BOLD ITALICS** indicate standard overhaul replacement part.

XTX40 2013-Present
XTX20 2013-2018 Discontinued

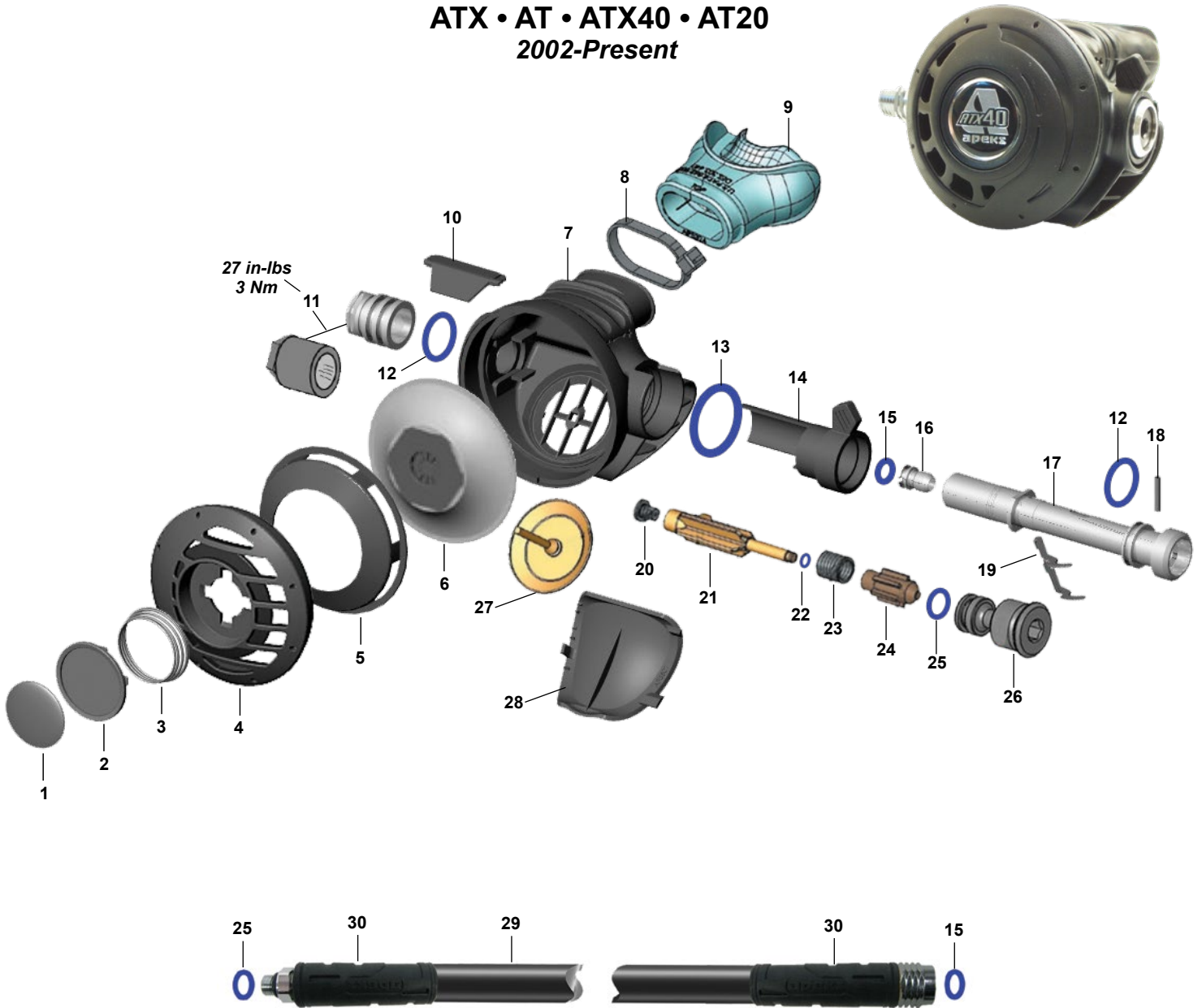


| KEY# | PART# | DESCRIPTION |
|---------------|-----------------|---|
| ----- | RS135111 | Universal Second Stage Service Kit |
| ----- | RS131111 | XTX40, Second Stage |
| 1---- | RG912021 | Purge Button, Black, XTX40/20, w/Spring |
| ----- | RG912024 | Purge Button, Yel, XTX Oxy/Octo, w/Spring |
| 2---- | RG912139 | Spring |
| 3---- | RG912401 | Case Cover, XTX40/20 |
| ----- | RG912144 | Case Cover, Yellow |
| ----- | RG912143 | Case Cover, Green, XTX40 Oxy |
| 4---- | RG912384 | Diaphragm Cover, Black |
| 5---- | RG912123 | Diaphragm |
| 6---- | RG912091 | Deflector |
| 7---- | RG912101 | Heat Exchanger, Chrome, XTX40 |
| ----- | RG912317 | Spacer, XTX20 |
| 8---- | RG912225 | O-ring (10 pk) |
| 9---- | RG912129 | Blanking Piece |
| ----- | RG912130 | Blanking Piece, Yellow |
| ----- | RG912387 | Blanking Piece, Green, XTX40 Oxy |
| 10---- | RG912232 | O-ring (10 pk) |
| 11---- | RG912351 | Decal, XTX40 (Must also order RG912463 tape) |
| ----- | NLA | Decal, XTX20 (Must also order RG912463 tape) |
| ----- | RG912352 | Decal, XTX40 Oxy (Must also order RG912463 tape) |
| ----- | RG912147 | Decal, XTX40 Octo (Must also order RG912463 tape) |
| ----- | NLA | Decal, XTX20 Octopus |
| ----- | RG912463 | Double-Sided Adhesive Tape (NOT SHOWN) |
| 12---- | RG912279 | Mouthpiece Clamp |
| ----- | RA117137 | Comfobite Mouthpiece |
| ----- | RG911122 | Comfobite Mouthpiece, Green, XTX40 Oxy |
| ----- | RG911253 | Mouthpiece, Standard, Octopus |

| KEY# | PART# | DESCRIPTION |
|---------------|-----------------|---|
| 14---- | RG912148 | Venturi Ring |
| ----- | RG912149 | Venturi Ring, Yellow |
| ----- | RG912410 | Venturi Ring, Green, XTX40 Oxy |
| 15---- | RG912390 | Venturi Lever Body |
| 16---- | RG912222 | O-ring (10 pk) |
| 17---- | RG912233 | Seat |
| 18---- | RG912133 | Valve Spindle, Chrome |
| 19---- | RG912392 | Spindle Collar |
| 20---- | RG912025 | Spring Pin |
| 21---- | RG912281 | Lever |
| 22---- | RG912196 | Exhaust Valve |
| 23---- | RG912142 | Case, XTX |
| 24---- | RG912198 | MP Seat, Silicone |
| 25---- | RG912090 | Shuttle Valve |
| 26---- | RG912234 | O-ring (10 pk) |
| 27---- | RG912080 | Spring |
| 28---- | RG912092 | Counter-Balance Cylinder |
| 29---- | RG912229 | O-ring (10 pk) |
| 30---- | RG912087 | Adjusting Screw |
| 31---- | RA117143 | Small Exhaust Tee, Set |
| ----- | RG912137 | Small Exhaust Tee, LH, Green, XTX40 Oxy |
| ----- | RG912394 | Small Exhaust Tee, RH, Green, XTX40 Oxy |
| 32---- | RA117144 | Large Exhaust Tee, Set |
| 33---- | RG912140 | Exhaust Rib |
| 34---- | RH114119 | Hose, Braided w/Hose Protectors, 3/8" X 29" |
| ----- | RH113115 | Hose, Braided, Yellow, w/Hose Pro, 3/8" X 36" |
| 35---- | RG912360 | Hose Protector, Black |
| ----- | RG912361 | Hose Protector, Yellow |

Part numbers in **BOLD ITALICS** indicate standard overhaul replacement part.

ATX • AT • ATX40 • AT20
2002-Present



KEY# PART# DESCRIPTION

| | | |
|---------------|-----------------|---|
| ----- | RS135111 | Universal Second Stage Service Kit |
| 1---- | TL900014 | Decal, Apeks, ATX40 |
| 2---- | RG912125 | Purge Button |
| 3---- | RG912079 | Spring |
| 4---- | RG912124 | Case Cover |
| ----- | RG912460 | Case Cover, Yellow, Octopus |
| 5---- | RG912384 | Diaphragm Cover, Black |
| 6---- | RG912123 | Diaphragm |
| 7---- | RG912121 | Case |
| 8---- | RG912279 | Mouthpiece Clamp |
| 9---- | RA117137 | Mouthpiece, Comfobite |
| ----- | RG911253 | Mouthpiece, Standard, Octopus |
| 10---- | RG912091 | Deflector |
| 11---- | RG912101 | Heat Exchanger, ATX40 |
| ----- | RG912317 | Spacer, AT20 |
| 12---- | RG912225 | O-ring (10 pk) |
| 13---- | RG912232 | O-ring (10 pk) |
| 14---- | RG912093 | Venturi Lever |
| ----- | RG912094 | Venturi Lever, Yellow, Octopus |
| 15---- | RG912222 | O-ring (10 pk) |

KEY# PART# DESCRIPTION

| | | |
|-----------------|-----------------|--|
| 16---- | RG912233 | Seat |
| 17---- | RG912084 | Valve Spindle |
| 18---- | RG912025 | Spring Pin |
| 19---- | RG912281 | Lever |
| 20---- | RG912198 | MP Seat, Silicone |
| 21---- | RG912090 | Shuttle Valve |
| 22---- | RG912234 | O-ring (10 pk) |
| 23---- | RG912080 | Spring |
| 24---- | RG912092 | Counter-Balance Cylinder |
| 25---- | RG912229 | O-ring (10 pk) |
| 26---- | RG912087 | Adjusting Screw |
| 27---- | RG912050 | Exhaust Valve |
| 28---- | RG912216 | Cover, Exhaust Valve |
| ----- | RG912383 | Cover, Exhaust Valve, Yellow |
| 29---- | RH114162 | Hose, MP, 1/2" X 29" |
| ----- | RH114167 | Hose, MP, 3/8" X 29" |
| ----- | RH113137 | Hose, MP, Octopus, Yellow, 3/8" X36" |
| 30---- | RG912360 | Hose Protector, Black |
| ----- | RG912361 | Hose Protector, Yellow |
| N/S ---- | RG912230 | O-ring, Hose End, Male 1/2" (10 pk) |

Part numbers in **BOLD ITALICS** indicate standard overhaul replacement part.

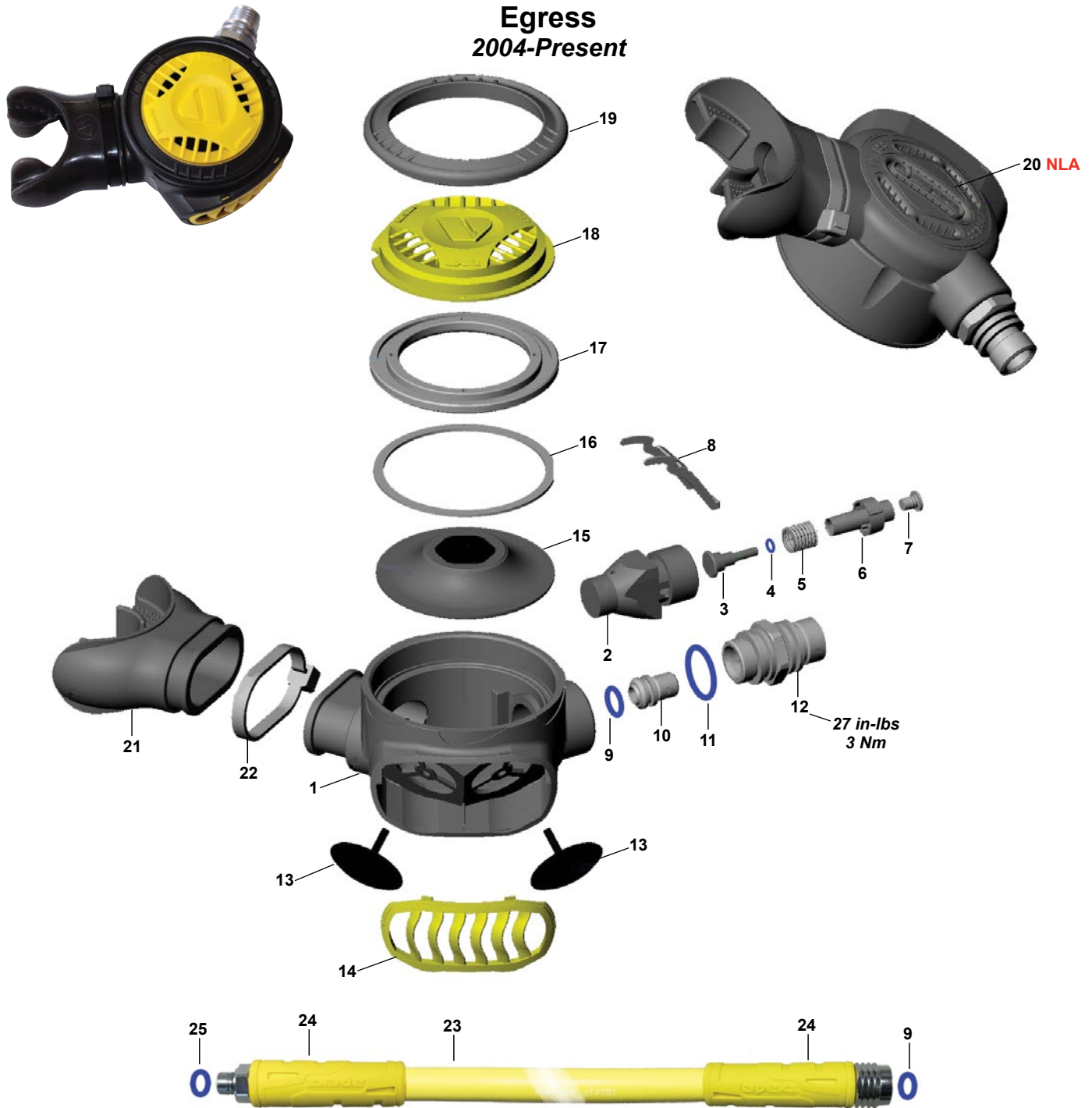
Flight
2010-Present



| KEY# | PART# | DESCRIPTION | KEY# | PART# | DESCRIPTION |
|----------|-----------------|--|-----------|-----------------|---|
| ----- | RS135111 | Universal Second Stage Service Kit | 13 | RA117137 | Mouthpiece, Comfobite, Std |
| ----- | RS135116 | Flight Second Stage N/A in N.America | ----- | RG911252 | Mouthpiece, Comfobite, Small |
| 1 | RG912165 | Purge Clamp Ring (for Pewter Model) | ----- | RG911253 | Mouthpiece, Standard, Octopus |
| ----- | RG912430 | Purge Clamp Ring (for Pink & Twilight Model) | 14 | RG912163 | Flight Spindle Body |
| ----- | RG912166 | Purge Clamp Ring (Yellow) | 15 | RG912296 | Micro Adjuster Screw |
| 2 | RG912019 | Front Cover Assembly (for Pewter/Octo) | 16 | RG912429 | Spindle Adjuster Sleeve |
| ----- | RG912020 | Front Cover Assembly (for Green Model) | 17 | RG912342 | Spring Carrier |
| ----- | RG912242 | Front Cover Assembly (for Twilight Model) | 18 | RG912080 | Spring |
| ----- | RG912241 | Front Cover Assembly (for Pink Model) | 19 | RG912235 | O-ring (10 pk) |
| 3 | RG912160 | Inner Locking Ring | 20 | RG912112 | Shuttle Valve |
| 4 | RG912297 | Friction Ring | 21 | RG912198 | MP Seat, Silicone |
| 5 | RG912238 | Diaphragm | 22 | RG912281 | Lever |
| 6 | RG912431 | Case | 23 | RG912222 | O-ring (10 pk) |
| 7 | RG912161 | Exhaust Tee | 24 | RG912237 | Seat |
| 8 | RG912196 | Exhaust Valve | 25 | RG912164 | Inlet Fitting |
| 9 | RG912225 | O-ring (10 pk) | 26 | RG912167 | Locking Slide Ring |
| 10 | RG912162 | Venturi Lever | 27 | RG912399 | Hose Protector, Black (for swivel end) |
| 11 | RG912168 | Insert Logo (Black) | ----- | RG912141 | Hose Protector, Yellow (for swivel end) |
| ----- | RG912170 | Insert Logo (Pink) | 28 | RH114146 | Hose, Braided, 3/8" X 29" Black, w/Hose Protectors |
| ----- | RG912169 | Insert Logo (Green) | ----- | RH113122 | Hose, Braided, 3/8" X 36" Yellow, w/Hose Protectors |
| ----- | RG912171 | Insert Logo (Yellow) | 29 | RG912360 | Hose Protector, Black (for male end) |
| 12 | RG911254 | Mouthpiece Clamp | ----- | RG912361 | Hose Protector, Yellow (for male end) |
| | | | 30 | RG912229 | O-ring (10 pk) |

Part numbers in **BOLD ITALICS** indicate standard overhaul replacement part.

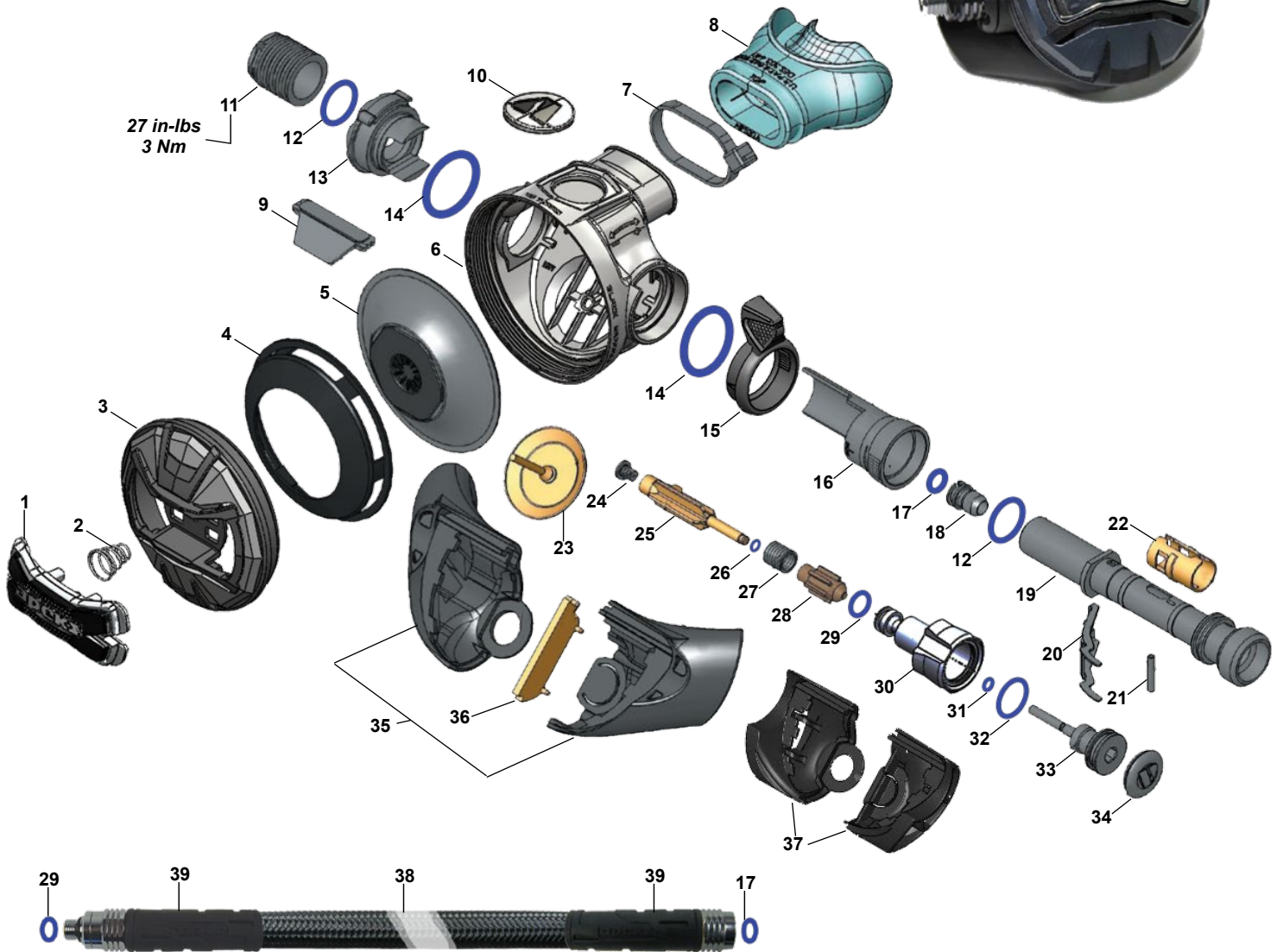
Egress
2004-Present



| KEY# | PART# | DESCRIPTION | KEY# | PART# | DESCRIPTION |
|-----------|-----------------|---|-----------|-----------------|--|
| ----- | RS135111 | Universal Second Stage Service Kit | 13 | RG912295 | Exhaust Valve |
| 1 | RG912422 | Egress Case | 14 | RG912426 | Egress Exhaust Gate |
| 2 | RG912339 | Egress Spindle Body | 15 | RG912455 | Egress Diaphragm |
| 3 | RG912341 | Egress Spring Carrier | 16 | RG911406 | Egress Friction Ring |
| 4 | RG912235 | O-ring (10 pk) | 17 | RG911340 | Inner Locking Ring |
| 5 | RG912080 | Valve Spring | 18 | RG912424 | Egress Front Cover |
| 6 | RG912112 | Egress Shuttle Valve | 19 | RG912425 | Egress Front Locking Ring |
| 7 | RG912198 | MP Seat, Silicone | 20 | NLA | Egress Decal |
| 8 | RG912281 | Lever | 21 | RG911253 | Mouthpiece |
| 9 | RG912222 | O-ring (10 pk) | 22 | RG912279 | Mouthpiece Clamp |
| 10 | RG912237 | Egress Valve Seat | 23 | RH113137 | Hose, MP, Octopus, Yellow, 3/8" X 36" |
| 11 | RG912225 | O-ring (10 pk) | 24 | RG912361 | Hose Protector, Yellow (Std.Hose) |
| 12 | RG911418 | Inlet Fitting | 25 | RG912229 | O-ring, Hose End, Male, (10 pk) |

Part numbers in **BOLD ITALICS** indicate standard overhaul replacement part.

Black Sapphire
2015-2016 Discontinued

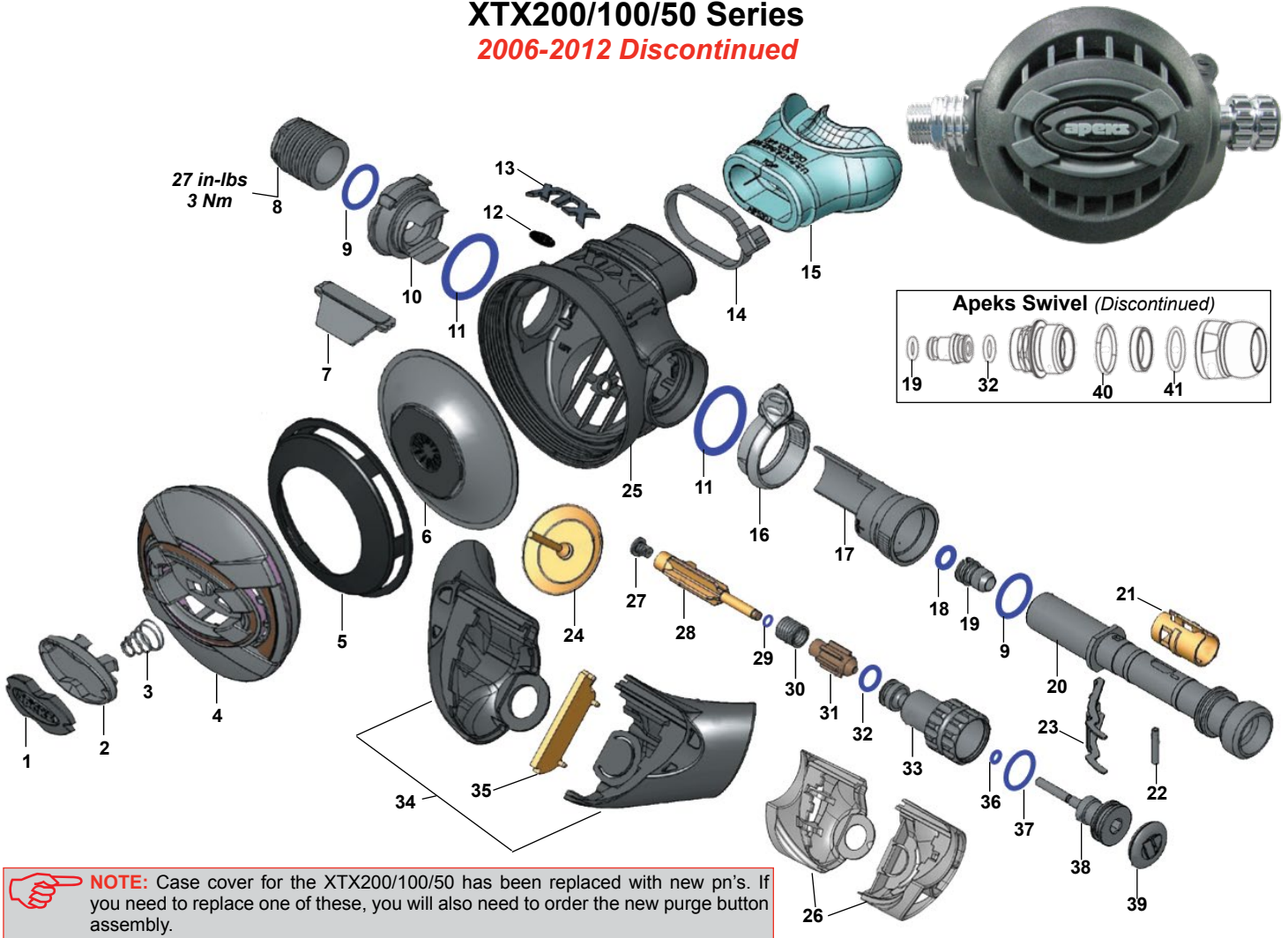


| KEY# | PART# | DESCRIPTION |
|-------|-----------------|---|
| ----- | RS135111 | Universal Second Stage Service Kit |
| 1 | RG912247 | Purge Button w/Spring, Blk Sapphire |
| 2 | RG912139 | Spring |
| 3 | RG912420 | Case Cover, Blk Sapphire |
| 4 | RG912384 | Diaphragm Cover, Black |
| 5 | RG912123 | Diaphragm |
| 6 | RG912338 | Case |
| 7 | RG912279 | Mouthpiece Clamp |
| 8 | RA117137 | Comfobite Mouthpiece |
| 9 | RG912091 | Deflector |
| 10 | RG912355 | Decal |
| 11 | RG912458 | Heat Exchanger, PVD |
| 12 | RG912225 | O-ring (10 pk) |
| 13 | RG912129 | Blanking Piece |
| 14 | RG912232 | O-ring (10 pk) |
| 15 | RG912148 | Venturi Ring |
| 16 | RG912390 | Venturi Lever Body |
| 17 | RG912222 | O-ring (10 pk) |
| 18 | RG912233 | Seat |
| 19 | RG912133 | Valve Spindle, Chrome |

| KEY# | PART# | DESCRIPTION |
|------|-----------------|--|
| 20 | RG912281 | Lever |
| 21 | RG912025 | Spring Pin |
| 22 | RG912392 | Spindle Collar |
| 23 | RG912196 | Exhaust Valve |
| 24 | RG912198 | MP Seat, Silicone |
| 25 | RG912090 | Shuttle Valve |
| 26 | RG912234 | O-ring (10 pk) |
| 27 | RG912080 | Spring |
| 28 | RG912092 | Counter-Balance Cylinder |
| 29 | RG912229 | O-ring (10 pk) |
| 30 | RG912337 | Adjusting Screw |
| 31 | RG912235 | O-ring (10 pk) |
| 32 | RG912223 | O-ring (10 pk) |
| 33 | RG912151 | Spring Adjuster |
| 34 | RG911873 | Plug |
| 35 | RA117144 | Large Exhaust Tee, Set |
| 36 | RG912140 | Exhaust Rib |
| 37 | RA117143 | Small Exhaust Tee, Set |
| 38 | RH114135 | Hose, Braided Double Swivel 3/8" X 30" |
| 39 | RG912360 | Hose Protector, Black (for Swivel Flex Hose) |

Part numbers in **BOLD ITALICS** indicate standard overhaul replacement part.

XTX200/100/50 Series
2006-2012 Discontinued

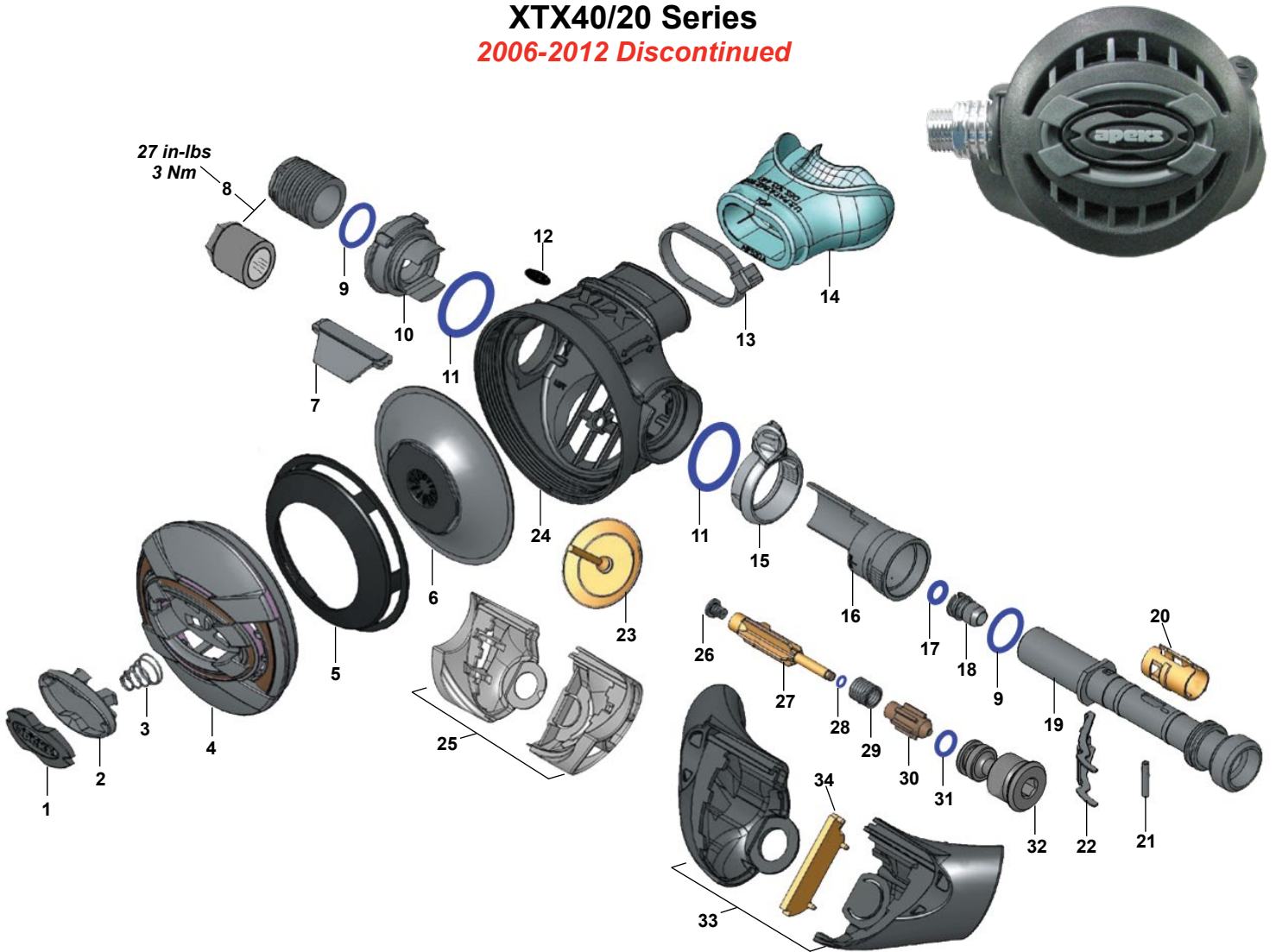


NOTE: Case cover for the XTX200/100/50 has been replaced with new pn's. If you need to replace one of these, you will also need to order the new purge button assembly.

| KEY# | PART# | DESCRIPTION | KEY# | PART# | DESCRIPTION |
|-----------|-----------------|---|-----------|-----------------|------------------------------------|
| ----- | RS135111 | Universal Second Stage Service Kit | 15 | RA117137 | Comfobite Mouthpiece |
| ----- | RS135121 | Service Kit, Swivel Hose | ----- | RG911253 | Mouthpiece, Standard, Octopus |
| 1 | RG912218 | Decal (old version) | 16 | RG912148 | Venturi Ring |
| 2 | RG912391 | Purge Button (old version) | ----- | RG912389 | Venturi Ring, Yellow |
| ----- | RG912132 | Purge Button, Yellow (old version) | 17 | RG912390 | Venturi Lever Body |
| 3 | RG912139 | Spring (old version) | 18 | RG912222 | O-ring (10 pk) |
| 4 | RG912155 | Case Cover, Tungsten (must also order RG912246) | 19 | RG912233 | Seat |
| ----- | RG912145 | Case Cover, XTX200 (must also order RG912246) | 20 | RG912133 | Valve Spindle, Chrome, XTX200/50 |
| ----- | RG912256 | Case Cover, XTX100 (must also order RG912023) | ----- | RG912331 | Valve Spindle, Satin, XTX100 |
| ----- | RG912401 | Case Cover, XTX50 (must also order RG912021) | 21 | RG912392 | Spindle Collar |
| ----- | RG912144 | Case Cover, Yellow (must also order RG912024) | 22 | RG912025 | Spring Pin |
| 5 | RG912384 | Diaphragm Cover, Black | 23 | RG912281 | Lever |
| 6 | RG912123 | Diaphragm | 24 | RG912196 | Exhaust Valve |
| 7 | RG912091 | Deflector | 25 | RG912386 | Case |
| 8 | RG912318 | Heat Exchanger, PVD, Tungsten | 26 | RA117143 | Small Exhaust Tee, Set |
| ----- | RG912101 | Heat Exchanger, Chrome, XTX200/50 | 27 | RG912198 | MP Seat, Silicone |
| ----- | RG912103 | Heat Exchanger, Satin, XTX100 | 28 | RG912090 | Shuttle Valve |
| 9 | RG912225 | O-ring (10 pk) | 29 | RG912234 | O-ring (10 pk) |
| 10 | RG912129 | Blanking Piece | 30 | RG912080 | Spring |
| ----- | RG912130 | Blanking Piece, Yellow | 31 | RG912092 | Counter-Balance Cylinder |
| 11 | RG912232 | O-ring (10 pk) | 32 | RG912229 | O-ring (10 pk) |
| 12 | NLA | Decal, Tungsten | 33 | RG912333 | Adjusting Screw, PVD, Tungsten |
| ----- | NLA | Decal, XTX200 | ----- | RG912150 | Adjusting Screw, Chrome, XTX200/50 |
| ----- | RG912288 | Decal, XTX100 | ----- | RG912334 | Adjusting Screw, Satin, XTX100 |
| ----- | RG912289 | Decal, XTX50 | 34 | RA117144 | Large Exhaust Tee, Set |
| 13 | RG912395 | XTX Decal, XTX200, Tungsten | 35 | RG912140 | Exhaust Rib |
| ----- | RG912397 | XTX Decal, XTX100 | 36 | RG912235 | O-ring (10 pk) |
| ----- | RG912396 | XTX Decal, XTX50 | 37 | RG912223 | O-ring (10 pk) |
| ----- | RG912398 | XTX Decal, XTX50 Octopus | 38 | RG912151 | Spring Adjuster |
| 14 | RG912279 | Mouthpiece Clamp | 39 | RG911873 | Plug |
| | | | 40 | RG912226 | O-ring, Swivel Hose (10 pk) |
| | | | 41 | RG912228 | O-ring, Swivel Hose (10 pk) |

Part numbers in **BOLD ITALICS** indicate standard overhaul replacement part.

XTX40/20 Series
2006-2012 Discontinued



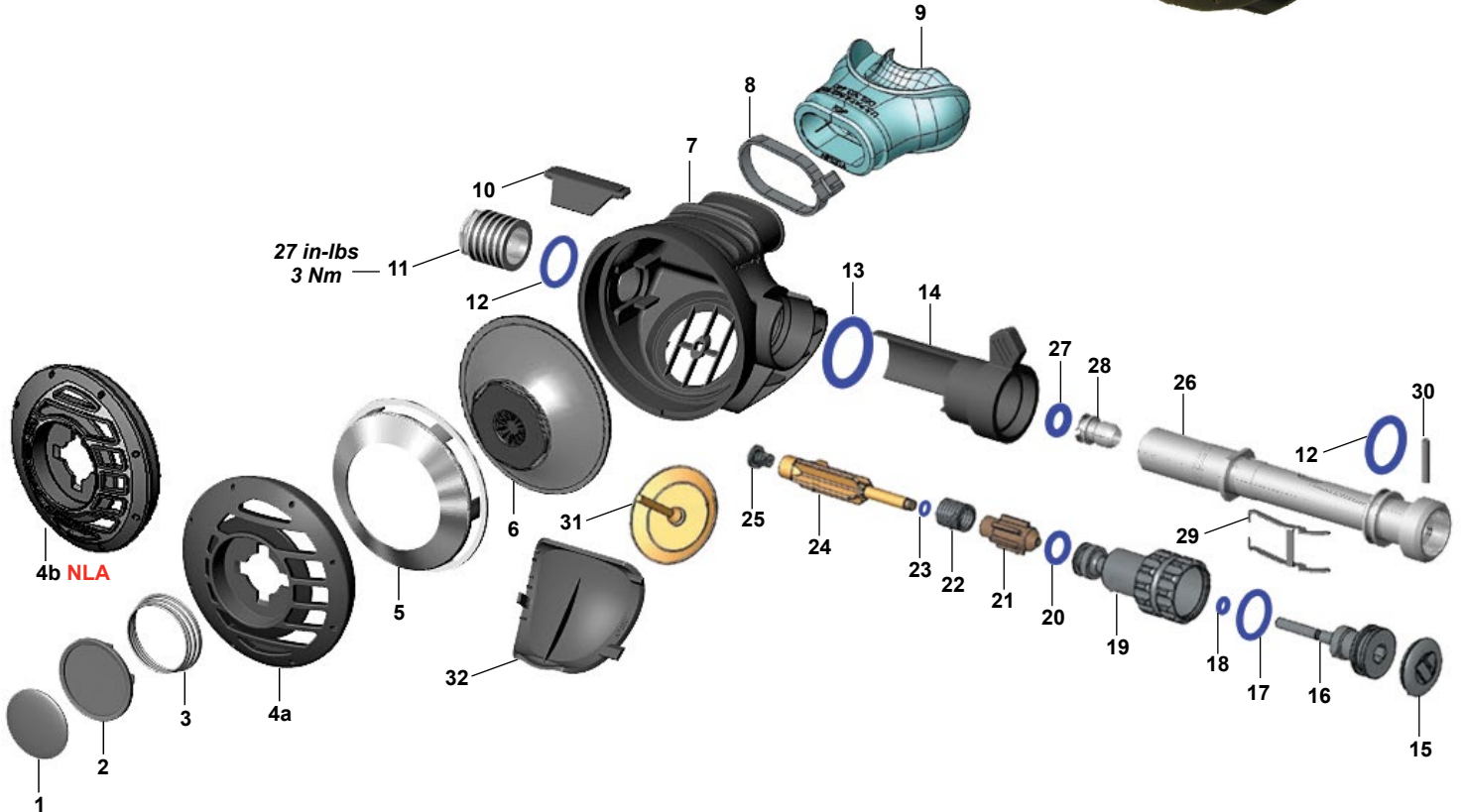
KEY# PART# DESCRIPTION

| KEY# | PART# | DESCRIPTION |
|----------------|-----------------|---|
| ----- | RS135111 | Universal Second Stage Service Kit |
| 1 ---- | RG912218 | Decal |
| 2 ---- | RG912391 | Purge Button |
| ----- | RG912132 | Purge Button, Yellow |
| 3 ---- | RG912139 | Spring |
| 4 ---- | RG912401 | Case Cover (must also order RG912021) |
| ----- | RG912144 | Case Cover, Yellow (must also order RG912024) |
| ----- | RG912143 | Case Cover, Green, XTX40 Oxy |
| 5 ---- | RG912384 | Diaphragm Cover, Black |
| 6 ---- | RG912123 | Diaphragm |
| 7 ---- | RG912091 | Deflector |
| 8 ---- | RG912101 | Heat Exchanger, XTX40 |
| ----- | RG912317 | Spacer, XTX20 |
| 9 ---- | RG912225 | O-ring (10 pk) |
| 10 ---- | RG912129 | Blanking Piece |
| ----- | RG912130 | Blanking Piece, Yellow |
| ----- | RG912387 | Blanking Piece, Green, XTX40 Oxy |
| 11 ---- | RG912232 | O-ring (10 pk) |
| 12 ---- | RG912290 | Decal, XTX40 |
| ----- | NLA | Decal, XTX40 Nitrox, XTX40 Oxy |
| ----- | NLA | Decal, XTX20 |
| 13 ---- | RG912279 | Mouthpiece Clamp |

| | | |
|----------------|-----------------|---|
| 14 ---- | RA117137 | Comfobite Mouthpiece |
| ----- | RG911122 | Comfobite Mouthpiece, Green, Oxy |
| ----- | RG911253 | Mouthpiece, Standard, Octopus |
| 15 ---- | RG912148 | Venturi Ring |
| ----- | RG912389 | Venturi Ring, Yellow |
| ----- | RG912388 | Venturi Ring, Green, XTX40 Oxy |
| 16 ---- | RG912390 | Venturi Lever Body |
| 17 ---- | RG912222 | O-ring (10 pk) |
| 18 ---- | RG912233 | Seat |
| 19 ---- | RG912133 | Valve Spindle |
| 20 ---- | RG912392 | Spindle Collar |
| 21 ---- | RG912025 | Spring Pin |
| 22 ---- | RG912281 | Lever |
| 23 ---- | RG912196 | Exhaust Valve |
| 24 ---- | RG912386 | Case |
| 25 ---- | RA117143 | Small Exhaust Tee, Set |
| ----- | RG912137 | Small Exhaust Tee, LH, Green, XTX40 Oxy |
| ----- | RG912394 | Small Exhaust Tee, RH, Green, XTX40 Oxy |
| 26 ---- | RG912198 | MP Seat, Silicone |
| 27 ---- | RG912090 | Shuttle Valve |
| 28 ---- | RG912234 | O-ring (10 pk) |
| 29 ---- | RG912080 | Spring |
| 30 ---- | RG912092 | Counter-Balance Cylinder |
| 31 ---- | RG912229 | O-ring (10 pk) |
| 32 ---- | RG912087 | Adjusting Screw |
| 33 ---- | RA117144 | Large Exhaust Tee, Set |
| 34 ---- | RG912140 | Exhaust Rib |

Part numbers in **BOLD ITALICS** indicate standard overhaul replacement part.

ATX200/100/50 Series
2002-2008 Discontinued



| KEY# | PART# | DESCRIPTION | KEY# | PART# | DESCRIPTION |
|----------------|-----------------|---|----------------|-----------------|--------------------------------------|
| ----- | RS135111 | Universal Second Stage Service Kit | 16 ---- | RG912151 | Spring Adjuster |
| 1 ---- | TL900014 | Decal, Apeks | 17 ---- | RG912223 | O-ring (10 pk) |
| 2 ---- | RG912125 | Purge Button | 18 ---- | RG912235 | O-ring (10 pk) |
| 3 ---- | RG912079 | Spring | 19 ---- | RG912333 | Adjusting Knob, PVD, Tungsten |
| 4a ---- | RG912124 | Case Cover, ATX200/100/50 | ----- | RG912334 | Adjusting Knob, ATX200/ATX100 |
| ----- | RG912460 | Case Cover, ATX50 Octopus, Yellow | ----- | RG912150 | Adjusting Knob, ATX50 |
| 4b ---- | NLA | Case Cover, Tungsten | 20 ---- | RG912229 | O-ring (10 pk) |
| 5 ---- | RG912384 | Diaphragm Cover, Black | 21 ---- | RG912092 | Counter-Balance Cylinder |
| 6 ---- | RG912123 | Diaphragm | 22 ---- | RG912080 | Spring |
| 7 ---- | RG912121 | Case | 23 ---- | RG912234 | O-ring (10 pk) |
| 8 ---- | RG912279 | Mouthpiece Clamp | 24 ---- | RG912090 | Shuttle Valve |
| 9 ---- | RA117137 | Mouthpiece, Comfobite | 25 ---- | RG912198 | MP Seat, Silicone |
| ----- | RG911253 | Mouthpiece, Standard, Octopus | 26 ---- | RG912085 | Valve Spindle, ATX200/ATX100 |
| 10 ---- | RG912091 | Deflector | ----- | RG912084 | Valve Spindle, Tungsten/ATX50 |
| 11 ---- | RG912318 | Heat Exchanger, PVD, Tungsten | 27 ---- | RG912222 | O-ring (10 pk) |
| ----- | RG912103 | Heat Exchanger, ATX200/ATX100 | 28 ---- | RG912233 | Seat |
| ----- | RG912101 | Heat Exchanger, ATX50 | 29 ---- | RG912281 | Lever |
| 12 ---- | RG912225 | O-ring (10 pk) | 30 ---- | RG912025 | Spring Pin |
| 13 ---- | RG912232 | O-ring (10 pk) | 31 ---- | RG912050 | Exhaust Valve |
| 14 ---- | RG912093 | Venturi Lever | 32 ---- | RG912216 | Cover, Exhaust Valve |
| ----- | RG912094 | Venturi Lever, Yellow, ATX50 Octopus | ----- | NLA | Cover, Exhaust Valve, Grey, Tungsten |
| 15 ---- | RG911873 | Plug | ----- | RG912383 | Cover, Exhaust Valve, Yellow |

Part numbers in **BOLD ITALICS** indicate standard overhaul replacement part.

Common Regulator Spares

Regulator Service Kits

| PART# | DESCRIPTION |
|-------|-------------|
|-------|-------------|

FIRST STAGE KITS:

RT141114-----Diaphragm First Stage
 RT141115----Flight First Stage

SECOND STAGE KITS:

RS135111-----Second Stages
 RS135116-----Flight Second Stage **N/A in N.America**

BALL SWIVEL HOSE:

RS135121-----Service Kit, Swivel Hose

Hose Protectors & Thread Adapters

| PART# | DESCRIPTION |
|-------|-------------|
|-------|-------------|

RG912360-----Hose Protector, Apeks, Black (Std & Flex Hose)
 RG912361-----Hose Protector, Apeks, Yellow (Std & Flex Hose)
 RG912399-----Hose Protector, Apeks, Black (Flight)
 RG912141-----Hose Protector, Apeks, Yellow (Flight)
 RG912414-----Hose Protector, Short, Black
 RG912552-----Hose Protector, Short, Mint(Yucca)
 RG912415-----Hose Protector, Short, Grey
 RG912551-----Hose Protector, Short, Lt-Yellow(Primrose)
 AP6814Y-----Hose Protector, Short, Yellow

Regulator MP Hoses

| PART# | DESCRIPTION |
|-------|-------------|
|-------|-------------|

BRAIDED HOSES

RH114135-----Hose, Braided, Dbl-Swvl, Blk/Chrome, 3/8 x 30"
 RH114231-----Hose, Braided, Dbl-Swvl, Blk/Satin, 3/8 X 30"
 RH114288-----Hose, Braid,Dbl-Swvl, Black w/Grey HosePros/Satin, 3/8X30"
 RH113116-----Hose, Braided, Dbl-Swvl, Yellow, 3/8 x 36"
 RH114119-----Hose, Braided, Black w/Blk HosePros, 3/8 x 30"
 RH113115-----Hose, Braided, Yellow/Chrome, 3/8 x 36"
 RH113139-----Hose, Braided, Yellow/Satin, 3/8 x 36"
 RH114146-----Hose, Braided, Blk, 3/8 x 29" (Flight)
 RH113122-----Hose, Braided, Ylw, 3/8 x 36" (Flight)
 RH114257-----Hose, Braided, White w/Short Grey HosePros,3/8 x 30"
 RH113111-----Hose, Braided, Yellow w/Short Ylw Hose Pros,3/8" X 36"
 RH114292-----Hose, Braided, Black w/Short Mint(Yucca) HosePros,3/8" X 30"
 RH114293-----Hose, Braided, Black w/Short Grey HosePros,3/8" X 30"
 RH114294-----Hose, Braided, Black w/Short Lt-Ylw(Primrose) HosePros,3/8" X 36"

RUBBER HOSES

RH114162-----Hose,Blk Rubber, Blk/Chrome, 1/2 x 30"
 RH114167-----Hose,Blk Rubber, 3/8 x 30"
 RH113137-----Hose,Ylw Rubber, w/Ylw HosePros, 3/8 x 36"
 RH114234-----Hose, Reg, Blk Rubber, Dbl-Swvl, 3/8 x 26"
 RH114236-----Hose, Reg, Blk Rubber, Dbl-Swvl, 3/8 x 83"

DIN/Yoke Adapters

| PART# | DESCRIPTION |
|-------|-------------|
|-------|-------------|

RA112136-----DIN Conversion Kit, Satin, MTXR
 RA112118-----DIN Conversion Kit, Co-molded Handwheel
 RA112112-----DIN Conversion Kit, Chrome
 RA112115-----DIN Conversion Kit, Satin
 RA112113-----DIN Conversion Kit, Flight
 RA112117-----DIN to Yoke Converter

Accessories

| PART# | DESCRIPTION |
|-------|-------------|
|-------|-------------|

RA117113-----5th Port Upgrade Kit, XTX50
 RA117114-----5th Port Upgrade Kit, XTX200/100
 RA115112-----Adjustable Pressure Relief Valve Service Kit

Silicone Mouthpieces

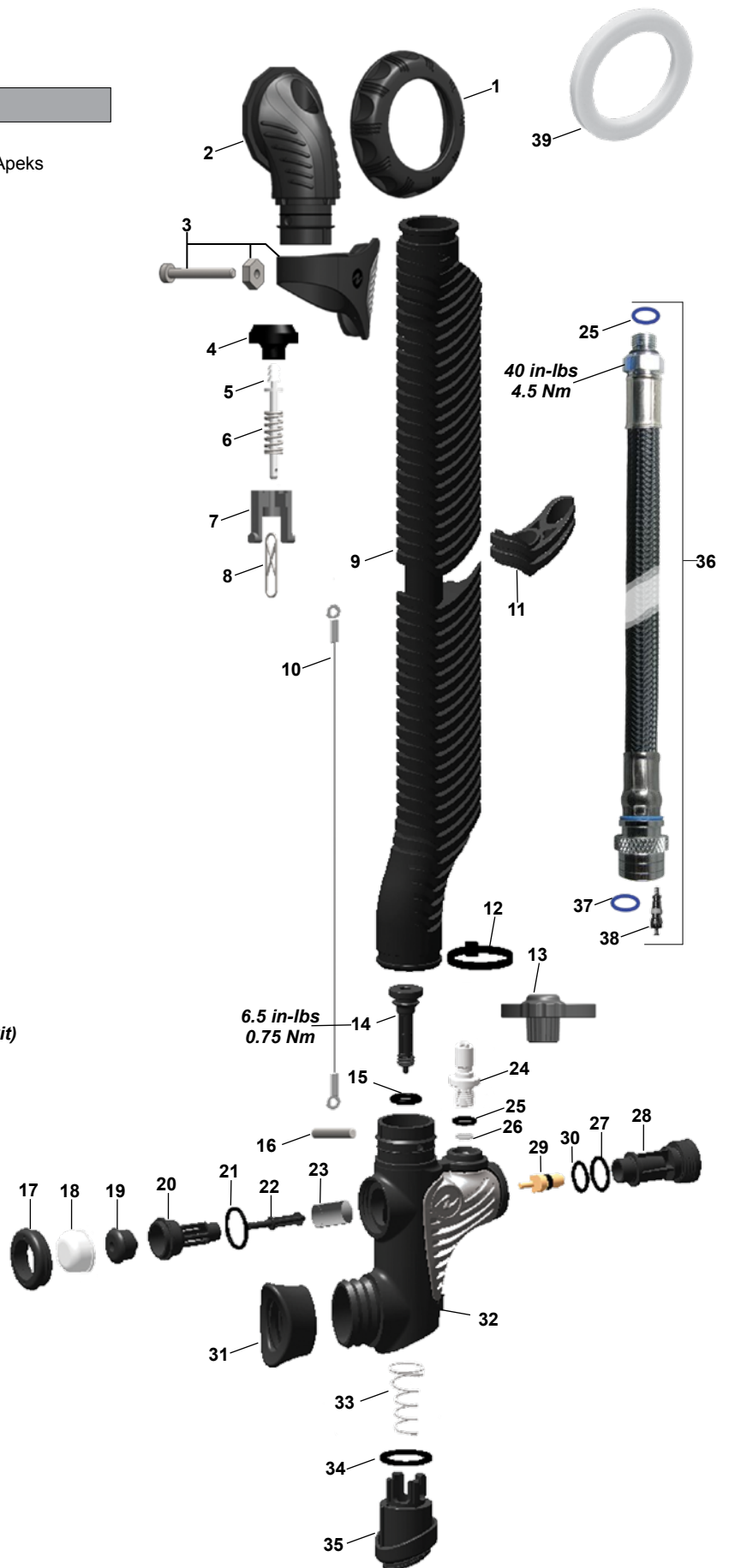
| PART# | DESCRIPTION |
|-------|-------------|
|-------|-------------|

RA117131-----Colored Comfobite, Pack
 RA117137-----Comfobite, Black, Pack
 RA117136-----Comfobite, Clear, Pack
 RG911122-----Comfobite, Green, Apeks
 RG911252----Comfobite, Black, Small
 RG911123 --- Comfobite Mouthpiece, Grey
 RG912456-----Mouthpiece, Yellow, Apeks
 RA117132 ----Lip Shield, Pack

Powerline Inflator

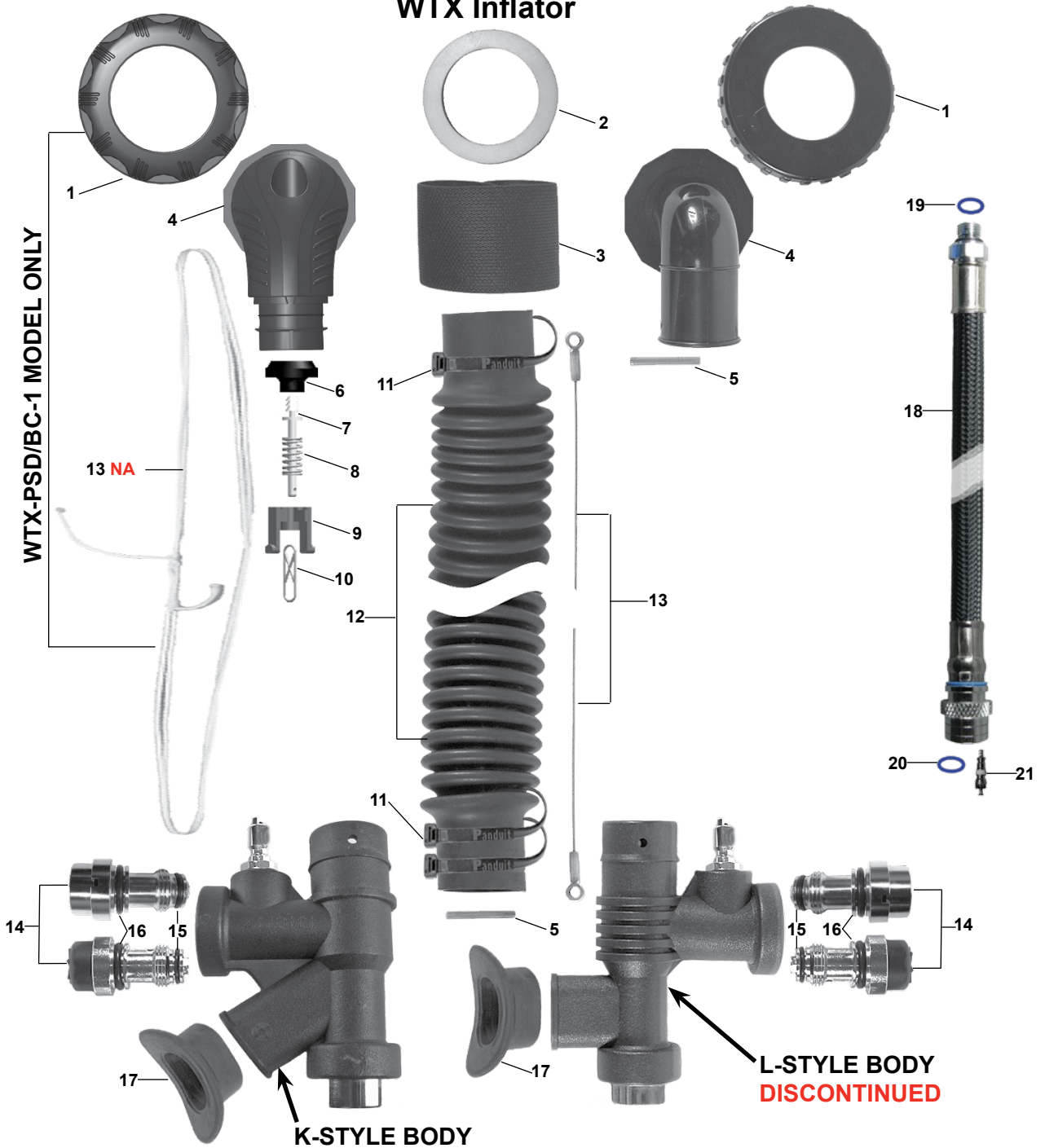
| KEY# | PART# | DESCRIPTION |
|------|-------|-------------|
|------|-------|-------------|

- | | | |
|---------------|-----------------|---|
| ----- | BC911139 | Service Kit, Powerline Inflator |
| ----- | BC911115 | Powerline Airway, Black, Complete, Apeks |
| 1---- | BC911447 | Collar |
| 2---- | BC911159 | Elbow |
| 3---- | BC911520 | Clip, Nut & Screw, Black, Apeks |
| 4---- | BC911359 | Poppet, Dump Valve |
| 5---- | BC911232 | Poppet Stem |
| 6---- | BC911441 | Spring |
| 7---- | BC911160 | Poppet Guide |
| 8---- | BC911480 | Cable Hook |
| 9---- | BC911163 | Molded Hose |
| 10---- | BC911261 | Cable |
| 11---- | BC911164 | Hose Clip |
| 12---- | BC911350 | Clamp |
| 13---- | BC911477 | QD Fitting Cover |
| 14---- | BC911186 | Oral Valve Poppet |
| 15---- | BC911500 | O-ring |
| 16---- | BC911368 | Cable Pin |
| 17---- | BC911354 | Bezel |
| 18---- | BC911158 | Button Cover, Gray |
| 19---- | BC911355 | Button |
| 20---- | BC911190 | Push Rod Housing |
| 21---- | BC911372 | O-ring (10 pk) |
| 22---- | BC911189 | Push Rod |
| 23---- | BC911382 | Filter Screen |
| 24---- | BC911273 | Quick Disconnect Plug w/ O-ring |
| 25---- | RG911842 | O-ring (20 pk) |
| 26---- | BC911178 | Filter |
| 27---- | RG912517 | O-ring (20 pk) |
| 28---- | BC911353 | Valve Retainer |
| 29---- | BC911348 | Valve Core |
| 30---- | BC911263 | O-ring (10 pk) |
| 31---- | BC911187 | Mouthpiece |
| 32---- | BC911536 | Body, Black, Apeks |
| 33---- | BC911182 | Spring |
| 34---- | BC911185 | Gasket |
| 35---- | BC911196 | Oral Button w/Plug |
| 36---- | BC911131 | MP Braided Inflator Hose, 3/8 x 22" |
| ----- | BC911132 | MP Braided Inflator Hose, 3/8 x 25" |
| ----- | BC911133 | MP Braided Inflator Hose, 3/8 x 27" |
| ----- | BC911134 | MP Braided Inflator Hose, 3/8 x 33" |
| 37---- | 820043P | O-ring (10 pk) |
| 38---- | BC911360 | Valve Core |
| 39---- | BC911376 | Gasket (not provided in service kit) |



Part numbers in **BOLD ITALICS** indicate standard overhaul replacement part.

WTX Inflator



| KEY# | PART# | DESCRIPTION |
|--------------|-----------------|--|
| ---- | BC911117 | Airway, Complete, K (WTX/WTX-D) |
| ---- | BC911116 | Airway, Complete, K (WTX-D PSD) |
| ---- | BC911574 | Airway, Complete, K (WTX RT SIDE) |
| ---- | BC911197 | Lower Inflator Assembly, K (WTX/WTX-D/PSD) |
| 1---- | BC911551 | Collar (WTX & WTX-D) |
| ---- | BC911447 | Collar (WTX-D PSD & BC-1) |
| 2---- | BC911376 | Gasket |
| 3---- | BC911203 | Retainer Loop |
| 4---- | BC911537 | Elbow (WTX & WTX-D) |
| ---- | BC911159 | Elbow (WTX-D PSD & BC-1) |
| 5---- | BC911368 | Retaining Pin |
| 6---- | BC911359 | Dump Valve, Poppet (WTX-D PSD & BC-1) |
| 7---- | BC911232 | Poppet Stem (WTX-D PSD & BC-1) |
| 8---- | BC911441 | Spring (WTX-D PSD & BC-1) |

| KEY# | PART# | DESCRIPTION |
|---------------|-----------------|-------------------------------------|
| 9---- | BC911160 | Poppet Guide (WTX-D PSD & BC-1) |
| 10---- | BC911480 | Cable Hook (WTX-D PSD & BC-1) |
| 11---- | BC911350 | Clamp |
| 12---- | BC911191 | Ribbed Hose Flat 16" (WTX & WTX-D) |
| ---- | BC911555 | Ribbed Hose, 18" (WTX-D PSD & BC-1) |
| 13---- | BC911192 | Cable Assembly |
| ---- | N/A | Spectra Cord, (WTX-D PSD & BC-1) |
| 14---- | BC911184 | Valve Module w/Brass Button |
| ---- | BC911194 | Valve Module w/Plastic Button |
| 15---- | BC911237 | O-ring (10 pk) |
| 16---- | RG911465 | O-ring (20 pk) |
| 17---- | BC911532 | Mouthpiece |
| 18---- | BC911133 | MP Braided Inflator Hose, 27" |
| 19---- | RG911842 | O-ring (20 pk) |
| 20---- | 820043P | O-ring (10 pk) |
| 21---- | BC911360 | Valve Core |

Part numbers in **BOLD ITALICS** indicate standard overhaul replacement part.

Current Models

| KEY# | PART# | DESCRIPTION |
|------|-------|-------------|
|------|-------|-------------|

Exotec 2022>

- 1 ---- BC911594 Weight Pouch, 10lb, Surelock II, Orange
- BC911584 Weight Pouch, 10lb, Surelock II, Grey
- 2 ---- BC911376 Gasket, Universal Connector
- 3 ---- BC911133 MP Braided Hose, 27"
- 4 ---- BC911420 GripLock Tank Band, Apeks
- 5 ---- BC911595 Upper Tank Strap, Orange
- BC911585 Upper Tank Strap, Grey
- 6 ---- BC911602 Low Profile Dump Valve Kit, Apeks, Grey
- 7 ---- BC9XXXX Chest Strap Kit
- 8 ---- BC911596 G-Hook, Orange
- 9 ---- BC911586 G-Hook, Grey
- 10 ---- BC911600 Pull Knob, Grey
- 11 ---- BC911601 Zipper Pull, Charcoal (2ea)
- 12 ---- BC911598 Aircell, Exotec Universal
- 13 ---- BC911591 Waistband Assy, Orange, S/M
- BC911590 Waistband Assy, Orange, ML/2XL
- 14 ---- BC911581 Waistband Assy, Grey, S/M
- BC911580 Waistband Assy, Grey, ML/2XL
- 15 ---- BC911593 Shoulder Set, Orange, S/M
- BC911592 Shoulder Set, Orange, ML/2XL
- 16 ---- BC911583 Shoulder Set, Grey, S/M
- BC911582 Shoulder Set, Grey, ML/2XL
- 17 ---- BC911599 Hardware Kit, Exotec Shoulders/Bands
- 18 ---- BC9XXXX Hardware Kit, Exotec Bioreact
- 19 ---- BT1430108UV Twin Cylinder Kit, Orange

Backpack Parts

- 20 ---- BC911588 Aluminum Backplate, Orange
- BC911578 Aluminum Backplate, Grey
- 21 ---- BC911587 Aluminum Waistplate, Orange
- BC911577 Aluminum Waistplate, Grey
- 22 ---- BC911589 Tankplate Assembly w/Pad, Orange
- BC911579 Tankplate Assembly w/Pad, Grey
- 23 ---- BC911597 Backpad, Exotec Universal



| KEY# | PART# | DESCRIPTION |
|------|-------|-------------|
|------|-------|-------------|

WTX-D40T • WTX-D60T • WTX-D60TR 2022>

Bladder, WTX-D40T/60T

- 1 ---- BC911124 Dump Valve Kit, Universal
- 2 ---- BC911605 Bladder, WTX-D40T/D60T

Bladder, WTX-D60TR

- 1 ---- BC911124 Dump Valve Kit, Universal
- 2 ---- BC911603 Bladder, Primary
- 3 ---- BC911604 Bladder, Redundant



Current Models

| KEY# | PART# | DESCRIPTION |
|------|-------|-------------|
|------|-------|-------------|



WSX Side Mount Harness

| | | |
|--------|-----------|------------------------------------|
| 1---- | BC911510 | D-ring, 2.0 Bent, Bright S/S |
| 2---- | BC911475 | Slide, 2.0, 3 Bar, S/S Serrated |
| 3---- | BC911518 | Ring, Left Waist, S/S |
| 4---- | BC911615 | Ring, Right Waist, S/S |
| 5---- | BC911516 | Buckle, 2.0, S/S, Cam, Heavy Duty |
| 6---- | BC911567 | Elastic Retainer Loop, 1.5, Straps |
| 7---- | BC911117 | Airway, Complete, WTX-K |
| 8---- | BC911131 | Inflator Hose, Braided, 3/8" x 22" |
| 9---- | BC911376 | Gasket Universal Connector |
| 10--- | BC911124 | Dump Valve Kit, Universal |
| 11--- | BC911570 | Dump Valve Kit, Low Profile |
| 12--- | BC911473 | Pull Knob, Black |
| 13---- | BT1340110 | WSX Harness |
| 14---- | BT114113 | Spine Pack |
| 15---- | BT114114 | Pocket |
| 16---- | BT114115 | Grommet Strip (2pk) |
| 17---- | BT114116 | Bungee Kit, Lg |
| 18---- | BT114117 | Bungee Kit, Sm |
| 19---- | BT114118 | Hardware Kit |
| 20---- | BT114119 | Slide Lock w/Bungee (2pk) |
| 21---- | BT114124 | 5lb Trim Pocket (2pk) |
| 22---- | BT114111 | Air Cell, WSX 25lb |
| ---- | BT114121 | Air Cell, WSX 45lb |
| 23---- | BT114122 | Air Cell, Redundant, WSX 25lb |
| ---- | BT114123 | Air Cell, Redundant, WSX 45lb |

| KEY# | PART# | DESCRIPTION |
|------|-------|-------------|
|------|-------|-------------|

WTX Harness • WTX Deluxe Webbed Harness 2006>

| | | |
|--------|----------|--|
| 1---- | BC911434 | D-ring, 2.0, Dull Tumbled S/S, .25 Dia |
| 2---- | BC911475 | Slide, 2.0, 3 Bar, S/S Serrated |
| 3---- | BC911514 | D-ring, 2.0, Bent, Dull Tumbled, S/S |
| 4---- | BC911516 | Buckle, 2.0, S/S, Cam, Heavy Duty |
| 5---- | BC911420 | GripLock Tank Band, Apeks |
| 6---- | BC911419 | Universal Cylinder Band |
| 7---- | BC911501 | Traction Sleeve, for Univ.Cylinder Band |
| 8---- | BC911126 | Chest Strap Kit, WTX |
| 9---- | BC911530 | Slide, Buckle, Black, Delrin |
| 10---- | BC911569 | Inflator Hold Down, Reflective, Black, WTX |
| 11--- | BC911539 | Backpad, WTX |
| 12---- | BC911422 | Crotch Strap Kit, 2.0 |
| 13---- | BC911568 | Elastic Retainer Loop, 1.0, Chest, WTX |
| 14---- | BC911567 | Elastic Retainer Loop, 1.5, Straps |
| 15---- | BC911525 | Neo Sleeve, Dlx (1-each) |

Wt System, Surelock, 10lb

| | | |
|-------|-------------|--------------------------|
| 1---- | BC911616 | Screw, 10-24 X 3/8" |
| 2---- | BC911554 | Threaded Barrel |
| 3---- | BT115137 | Wt Pouch, 10lb. Surelock |
| 4---- | BT1180101UN | Wt Holster |

Wt System, Surelock Attachment

| | | |
|-------|----------|------------------------------|
| 1---- | BC911616 | Screw, 10-24 X 3/8" |
| 2---- | BC911554 | Threaded Barrel |
| 3---- | BC911535 | Washer, Shoulder, 1/4, Nylon |



| KEY# | PART# | DESCRIPTION |
|------|-------|-------------|
|------|-------|-------------|

WTX-D • WTX-D PSD 2014>

Bladder, WTX-D18, WTX-D30, WTX-D40

| | | |
|-------|----------|------------------------------------|
| 1---- | BC911570 | Dump Valve Kit, Low Profile, Apeks |
| 2---- | BC911523 | Bladder, WTX-D18 |
| 3---- | BC911541 | Bladder, WTX-D30/40 |



Discontinued Models

| KEY# | PART# | DESCRIPTION |
|------|-------|-------------|
|------|-------|-------------|

Black Ice 2013-21

- 1 ---- BC911144 Weight Pouch, 16lb, Surelock II
- 2 ---- BC911376 Gasket, Universal Connector
- 3 ---- BC911133 MP Braided Hose, 27"
- 4 ---- BC911420 GripLock Tank Band, Apeks
- 5 ---- BC911570 Low Profile Dump Valve Kit, Apeks
- 6 ---- BC911126 Chest Strap Kit
- 7 ---- BC911473 Pull Knob, Nyl, Blk
- 8 ---- BC911462 Zip Clip, Zipper Pull, Male
- 9 ---- BC911451 Zip Clip, Zipper Pull, Female
- 10 ---- BC911219 Bladder w/Dump Valves
- 11 ---- BC911220 Waistband Assy, SM/MD
- 12 ---- BC911221 Waistband Assy, ML/LG
- 13 ---- BC911222 Waistband Assy, XL/XXL
- 14 ---- BC911561 Shoulder Set, SM/MD
- 15 ---- BC911223 Shoulder Set, ML/XXL
- 16 ---- BC911559 Back Harness, SM/LG
- 17 ---- BC911558 Back Harness, XL/XXL
- 18 ---- BC911529 Nut/Bolt Kit, 4pk (for Multi-set Waistband & Shoulders)
- 19 ---- BC911111 Screw (for Multi-set Waistband & Shoulders)
- 20 ---- BC911157 Nut (for Multi-set Waistband & Shoulders)
- 21 ---- BC911569 Inflator Hold Down, Reflective

Backpack Parts

- 22 ---- BC911617 Wrapture Backpack/Frame, Blk Ice
- 23 ---- BC911517 Plate (oval shaped)
- 24 ---- BC911505 Screw, 10-24 X 3/4" (for plate)
- 25 ---- BC911479 Flanged Nut, 10-24 (for plate)
- 26 ---- BC911616 Screw, 10-24 X 3/8" (for center of pack)
- 27 ---- BC911554 Threaded Barrel (for center of pack)
- 28 ---- BC911528 Backpad

Optional Upgrade

- 29 ---- BC911114 Waistband Expander Kit, 2-req'd (adds 6" in length)
- 30 ---- BC1330101 Twin Tank Kit, Apeks, Wrapture
- 31 ---- BC911113 Crotch Strap Kit



| KEY# | PART# | DESCRIPTION |
|------|-------|-------------|
|------|-------|-------------|

WTX-D 45/60 • WTX-D Twin 60 2014-2021

Bladder, WTX-D 45/60

- 1 ---- BC911527 Bladder, WTX-D 45/60

Bladder, WTX-D Twin 60

- 1 ---- BC911573 Bladder, WTX-D Twin 60 Primary
- 2 ---- BC911572 Bladder, WTX-D Twin 60 Redundant



Discontinued Models

| KEY# | PART# | DESCRIPTION |
|------|-------|-------------|
|------|-------|-------------|

WTX 2006-15

Bladder, WTX3, WTX4, WTX6, WTX6R, WTX8

- 1 ---- BC911376 Gasket, Universal Connector
- 2 ---- BC911133 MP Braided Hose, 27"
- 3 ---- BC911258 Cap, Universal Connector, WTX6/8
- 4 ---- BC911124 Dump Valve Kit, Universal
- 5 ---- BC911440 Pull Knob, Nylon, Black
- 6 ---- BC911203 Retainer Loop
- 7 ---- BC911522 Bladder, Tech Wing, WTX 6/8
- 8 ---- BC911534 Bladder, WTX 4
- 9 ---- BC911526 Bladder, Primary, WTX 6R
- 10 ---- BC911540 Bladder, Redundant, WTX 6R
- 11 ---- BT115131 WTX Retractor Kit



Buoyancy Compensator Accesories

| PART# | DESCRIPTION |
|-------|-------------|
|-------|-------------|

BC Inflator Service Kits

- N/A** **WTX Inflator**, All parts for service must be individually purchased
- BC911139 ---- Powerline Inflator
 - BC911448 ---- BC Puncture Repair Kit
 - BC911201 ---- Pull Dump Cord (25')

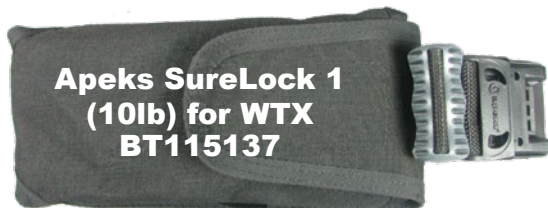
| PART# | DESCRIPTION |
|-------|-------------|
|-------|-------------|

Cylinder Bands

- BC911420 ---- GripLock Tank Band (for Wrapture Pack)
- BC911560 ---- GripLock Tank Band (for non-Wrapture Pack)
- BC911419 ---- Universal Cylinder Band
- BC911501 ---- Traction Sleeve for Univ Cylinder Band
- BC1330101 ---- Twin Tank Kit, Apeks, Wrapture

MP Inflator Hoses

- BC911131 ---- MP Braided Hose, 3/8 x 22" Black
- BC911132 ---- MP Braided Hose, 3/8 x 25" Black
- BC911133 ---- MP Braided Hose, 3/8 x 27" Black
- BC911134 ---- MP Braided Hose, 3/8 x 33" Black
- BC911135 ---- MP Braided Hose, 3/8 x 36" Black
- BC911136 ---- MP Braided Hose, 3/8 x 40" Black



for Exotec

- BC911594 ---- SureLock 1 (10lb) Blk w/Orange Alum Handle
- BC911584 ---- SureLock 1 (10lb) Blk w/Grey Alum Handle



BackPack Components

| KEY# | PART# | DESCRIPTION |
|------|-------|-------------|
|------|-------|-------------|

Wrapture

- 1 ---- BC911617 Wrapture Backpack/Frame
- 2 ---- BC911517 Plate (oval Shaped)
- 3 ---- BC911616 Screw, 10-24 X 3/8" (pack center)
- 4 ---- BC911554 Threaded Barrel, 10-24 X 1/4" (pack center)
- 5 ---- BC911505 Screw, 10-24 X 3/4" (for plate)
- 6 ---- BC911479 Flanged Nut, 10-24 (for plate)



For The Following Models

Black Ice

Cap-Off • Dump Valve Kits

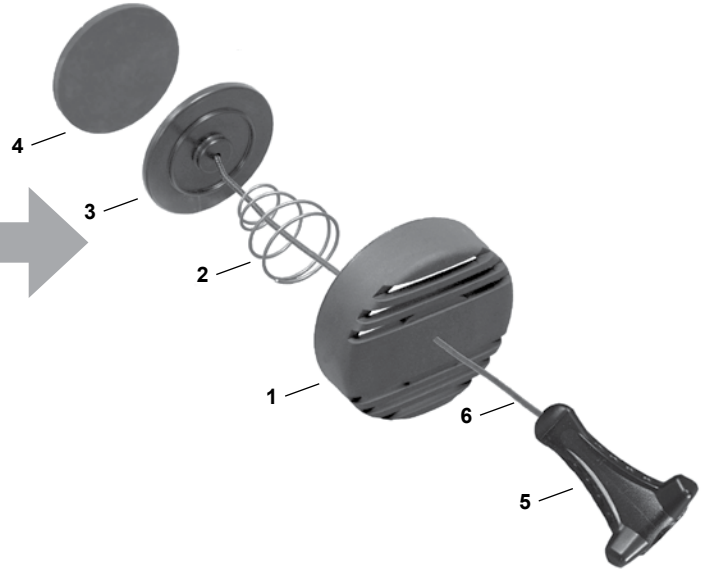
CAP-OFF



| KEY# | PART# | DESCRIPTION |
|------|-------|-------------|
|------|-------|-------------|

- | | | |
|---|-----------------------|-------------------------------|
| 1 | ----- BC911376 | Gasket, Connector Seal |
| 2 | ----- BC911258 | Cap, Connector, Acme Thread |

DUMP VALVE KIT



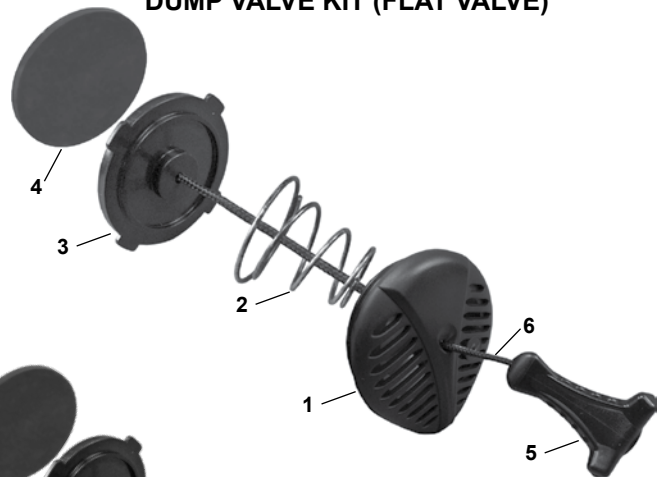
| KEY# | PART# | DESCRIPTION |
|------|-------|-------------|
|------|-------|-------------|

- | | | |
|-------|-----------------------|-----------------------------|
| ----- | BC911124 | Dump Valve Kit, Acme Thread |
| 1 | ----- BC911431 | Cap, Over Pressure |
| 2 | ----- BC911488 | Spring |
| 3 | ----- BC911269 | Plate |
| 4 | ----- BC911268 | Seal |
| 5 | ----- BC911440 | Pull Knob |
| 6 | ----- BC911201 | Pull Dump Cord (25') |

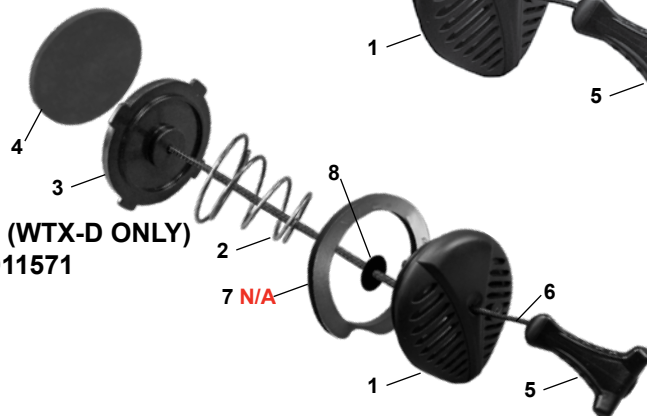
| KEY# | PART# | DESCRIPTION |
|------|-------|-------------|
|------|-------|-------------|

- | | | |
|-------|-----------------------|--|
| ----- | BC911570 | Dump Valve Kit, Flat Valve (Apeks) |
| ----- | BC911571 | Dump Valve Kit, Flat Valve (Apeks WTX-D) |
| 1 | ----- BC911519 | Cap, Low Profile, Blk (Apeks) |
| 2 | ----- BC911488 | Spring |
| 3 | ----- BC911538 | Seal Plate, Low Profile |
| 4 | ----- BC911444 | Seal, Low Profile |
| 5 | ----- BC911473 | Pull Knob (Apeks) |
| 6 | ----- BC911201 | Pull Dump Cord (25') |
| 7 | ----- N/A | Connector Ring (WTX-D Only) Only available in Kit |
| 8 | ----- BC911548 | Spring Compression Washer (WTX-D only) |

DUMP VALVE KIT (FLAT VALVE)



DUMP VALVE KIT (WTX-D ONLY) P/N BC911571

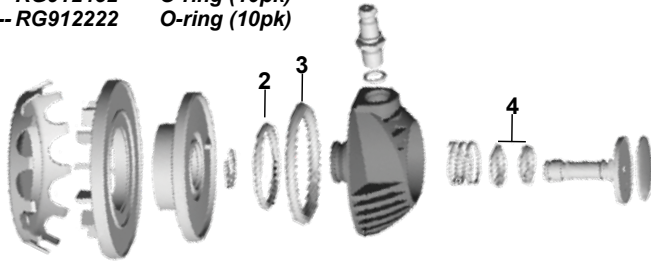


Part numbers in **BOLD ITALICS** indicate standard overhaul replacement part.

KEY# PART# DESCRIPTION

Drysuit Inflators

- 1 ---- DR911283 Inflator Valve/Apeks Logo, Black
- N/S --- DR911287 Inflator Valve Si-Tec/Apeks Logo, Black
- 2 ---- **RG912226** O-ring (10pk)
- 3 ---- **RG912452** O-ring (10pk)
- 4 ---- **RG912222** O-ring (10pk)



KEY# PART# DESCRIPTION

Drysuit Deflators

- 1 ---- DR911271 Exhaust Valve/Apeks Logo, Black
- N/S --- DR911267 Exhaust Valve Si-Tec/Apeks Logo, Black (not shown)
- 2 ---- **TL900011** Valve Seating
- 3 ---- **TL900012** Non-Return Valve



PART# DESCRIPTION

Valve Plug

(Plug For Inflator/Deflator Openings In Suit)

- DR911279 Valve Plug



PART# DESCRIPTION

Drysuit Inflator Hoses


- 61896 Inflation Hose, Black, 3/8" X 33"


PART# DESCRIPTION

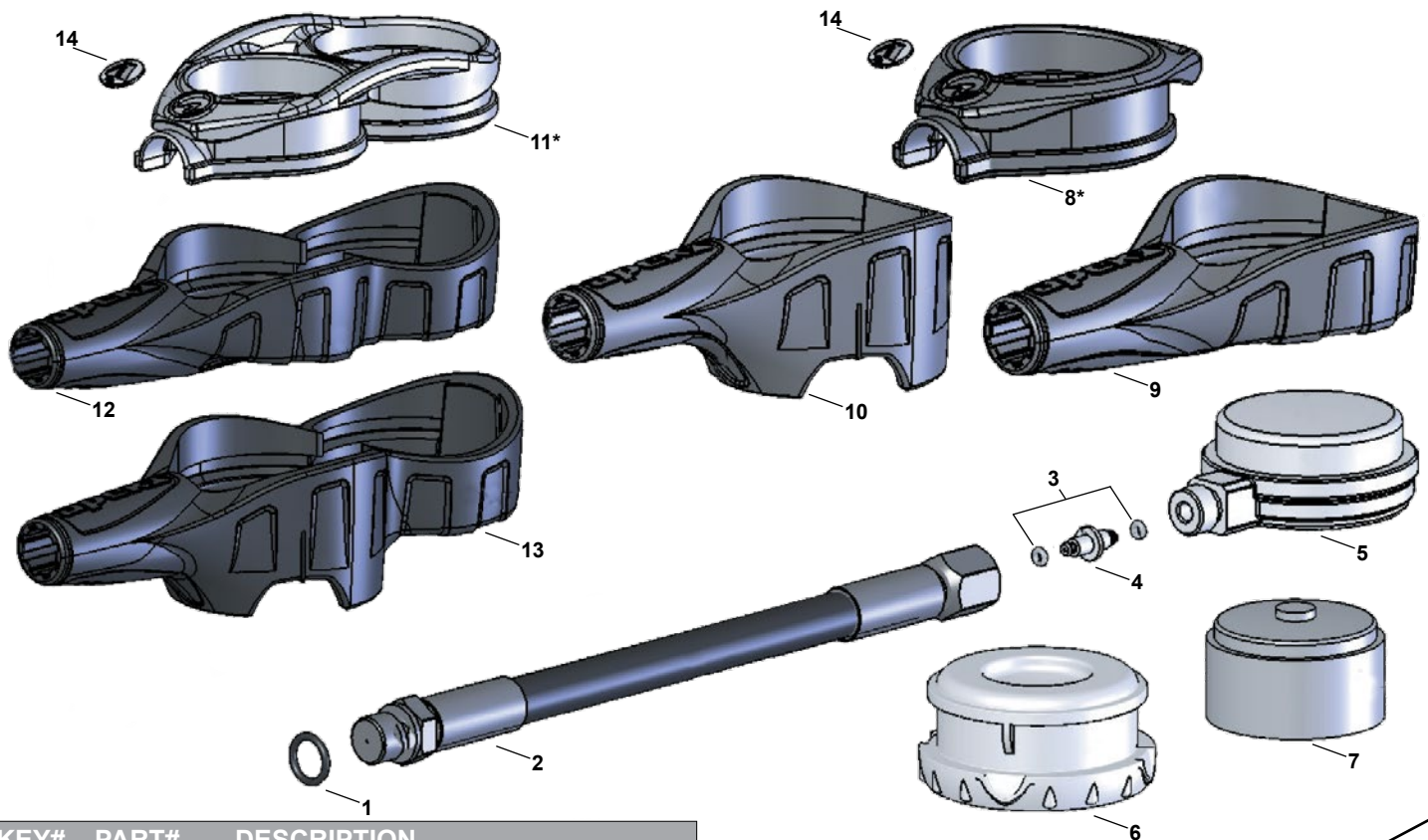
Drysuit Service Kits

- DR143116 LP Suit Inflation Service Kit
- DR143117 Swivel Suit Inflation Service Kit
- DR143112 Cuff Vent Service Kit
- DR143111 Auto Dump Service Kit
- DR143115 Low Profile Auto Dump Service Kit
- TL117000 P-Valve Service Kit

Analog Instruments

 ***NOTE:** The bezel #11, will only fit on boots #12 and #13.

 ***NOTE:** The bezel #8, will only fit on boots #9 and #10.



| KEY# | PART# | DESCRIPTION |
|------|-------|-------------|
|------|-------|-------------|

- 1---- ***RG912453*** ***O-ring (10 pk)***
- 2---- RH111124 HP Hose w/spool, 800mm
- 3---- ***RG912451*** ***O-ring (10 pk)***
- 4---- NS141111 HP Spool w/no O-rings (5 pk)
- 5---- NS911582 SPG, Module, Brass, 5000 psi
- NS911607 SPG, Module, Brass, Bar
- 6---- RG912111 Compass, Module
- 7---- NS911583 Depth Gauge, Module, 230 ft
- NS911606 Depth Gauge, Module, Meters
- 8---- NS911575 Bezel, Pewter
- NS911576 Bezel, Green, O2
- 9---- NS911574 Boot, SPG only
- 10---- NS911581 Boot, 2-Gauge, SPG/Cmps
- 11---- NS911577 Bezel, 2-Gauge, Pewter
- NS911578 Bezel, 2-Gauge, Pink
- 12---- NS911579 Boot, SPG/Depth
- 13---- NS911580 Boot, SPG/Depth/Cmps
- 14---- RG912168 Logo, Insert, Blk

Sidemount Instruments

| KEY# | PART# | DESCRIPTION |
|------|-------|-------------|
|------|-------|-------------|

- 1---- NS131137 SPG Module, Imperial, Black Face
- NS131138 SPG Module, Metric, Black Face
- 2---- NS131142 SPG Module, w/6" Hose, Imperial
- 3---- ***RG912453*** ***O-ring (10 pk)***
- 4---- ***RG912451*** ***O-ring (10 pk)***
- 5---- NS141111 HP Spool w/no O-rings (5 pk)



Part numbers in ***BOLD ITALICS*** indicate standard overhaul replacement part.

Dive Watch

| PART# | DESCRIPTION |
|-------|-------------|
|-------|-------------|

Not Available in USA

- NS911629----Battery for Gents Watch
- NS911497----Battery for Ladies Watch
- NS911496----Seal for Gents Watch
- NS911495----Seal for Ladies New Watch
- NS911494----Seal for Ladies Watch
- NS911489----Watch Strap, Gents 22mm
- NS911491----Watch Strap, Ladies
- NS911492----Watch Strap, Gents S/S
- NS911493----Watch Strap, Gents 20mm PU

Lifeline Spools

| PART# | DESCRIPTION |
|-------|-------------|
|-------|-------------|

- RE121112----Spare Line for 15m Spool
- RE122112----Spare Line for 30m Spool
- RE123112----Spare Line for 45m Spool
- RE124112----Spare Line for 60m Spool
- RE122113----Line Leader, Ylw
- TH117136----SS Bolt Snap, Double



Mask Parts

| PART# | DESCRIPTION |
|-------|-------------|
|-------|-------------|

- MS911288----Buckle, VX1 (3pair)
- MS911342----Strap, VX1 Black
- MS911344----Strap, VX1 Orange
- MSXXXX----Strap, VX1 Grey
- MSXXXX----Strap, VX1 White



Not Available in USA

- MS911254----Soft Box, Apeks (6pk)
- TH163000----Strap, VX1 Neoprene (12pk)

Fin Parts

| PART# | DESCRIPTION |
|-------|-------------|
|-------|-------------|

RK3

- FA911222----Spring Straps w/Heel Pad, RK3, Md 10" (1pr)
- FA911223----Spring Straps w/Heel Pad, RK3, Lg 11" (1pr)
- FA911224----Spring Straps w/Heel Pad, RK3, Super 12" (1pr)
- FA911225----Bolt/Nut Kit, Spring Strap, RK3 (4pk)



Gear Bag Parts

| PART# | DESCRIPTION |
|-------|-------------|
|-------|-------------|

- BA911114----Drain, Apeks Dry 100/75 Bag



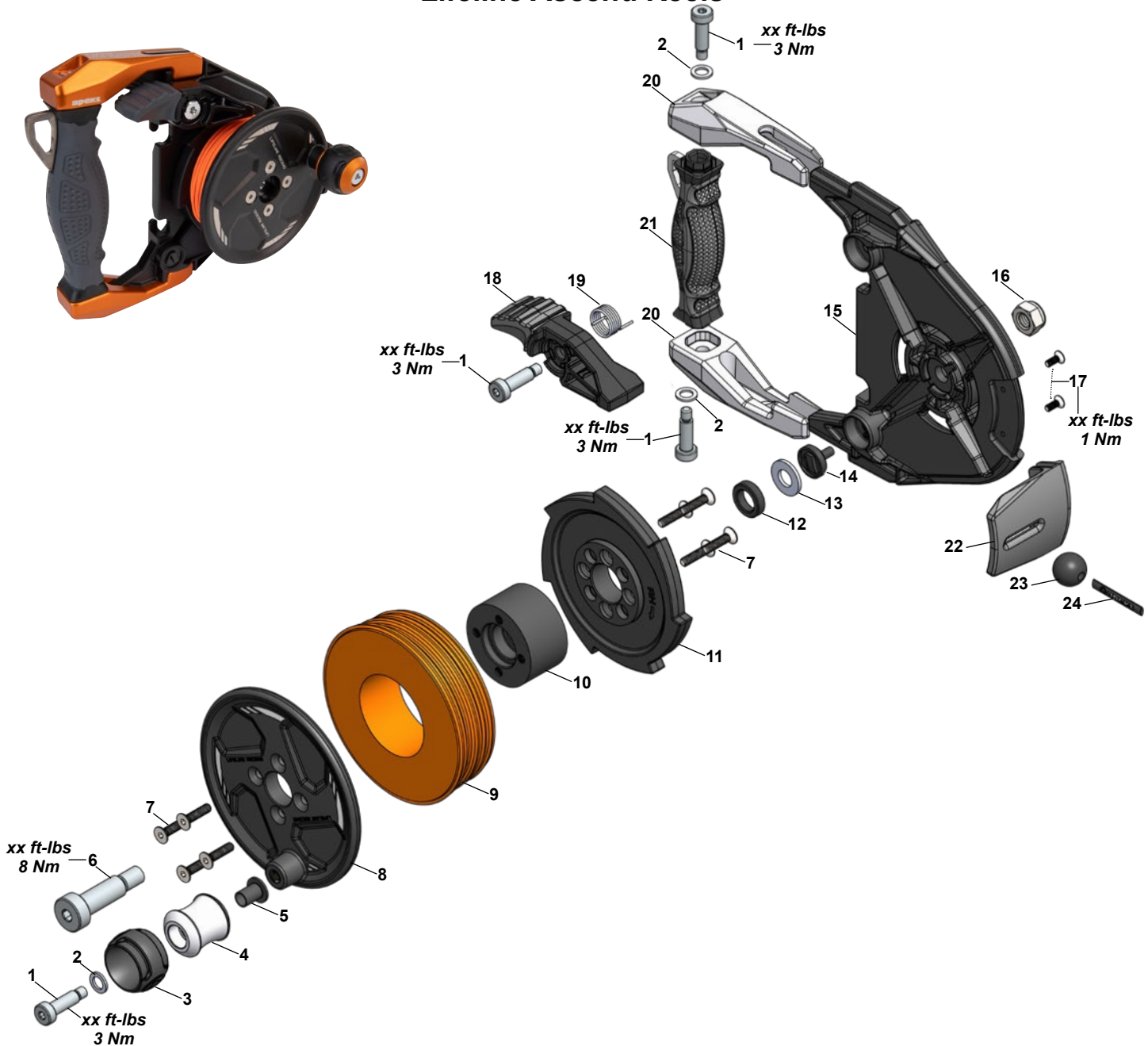
Luna Light Parts

| PART# | DESCRIPTION |
|-------|-------------|
|-------|-------------|

- HG911181----3.6A Chrager Pack
- HG911182----USB Charge Cable
- HG911183----EVA Case for Luna Mini
- HG911184----EVA Case for Luna Primary
- HG911185----EVA Case for Luna ADV
- HG911186----Soft Handle
- HG911187----Bolt Set (for attaching light to handle)
- HG911188----Dive Lanyard



Lifeline Ascend Reels



| KEY# | PART# | DESCRIPTION |
|------|-------|-------------|
|------|-------|-------------|

| | | |
|----|----------|----------------------------|
| 1 | RE911135 | Shoulder Bolt, M5 16SLX6TL |
| 2 | RE911136 | Washer, Acetal, ID 6mm |
| 3 | RE911159 | Inflator Ring |
| 4 | RE911160 | Reel Knob, Orange |
| | RE911161 | Reel Knob, Purple |
| | RE911162 | Reel Knob, Green |
| | RE911163 | Reel Knob, Grey |
| 5 | RE911141 | Shoulder Washer ID 6.2 |
| 6 | RE911134 | Shoulder Bolt M8 25SLX13TL |
| 7 | RE911129 | Screw M4X16 |
| 8 | RE911128 | Outer Disc for Spool |
| 9 | RE911125 | Reel Line, 30mX1.5mm Kit |
| | RE911124 | Reel Line, 60mX1.5mm Kit |
| 10 | RE911127 | Spool Spindle, 30m Reel |
| | RE911130 | Spool Spindle, 60m Reel |
| 11 | RE911126 | Disc Ratchet |
| 12 | RE911133 | Center Reel Bushing |
| 13 | AP7261 | Flat Washer |
| 14 | RE911168 | Plug |

| KEY# | PART# | DESCRIPTION |
|------|-------|-------------|
|------|-------|-------------|

| | | |
|----|----------|--------------------------------|
| 15 | RE911169 | Reel Body, Ascend |
| 16 | RE911144 | Lock Nut, M8 Nylon A4 |
| 17 | RE911171 | Screw M3X8 CSK A4 |
| 18 | RE911158 | Reel Trigger, Ascend |
| 19 | RE911157 | Torsion Spring |
| 20 | RE911164 | Reel End Clamp, Orange |
| | RE911165 | Reel end Clamp, Purple |
| | RE911166 | Reel End Clamp, Green |
| | RE911167 | Reel end Clamp, Grey |
| 21 | RE911149 | Reel Handle |
| 22 | RE911172 | Line Feeder 30m |
| | RE911170 | Line Feeder 60m |
| 23 | RE911156 | Ball Stop |
| 24 | AP1109 | Pull Tab |
| | N/S | AP0726 |
| | | Spool Assembly 30m |
| | | Includes: 7/8/9/10/11/22/23/24 |
| | N/S | AP0727 |
| | | Spool Assembly 60m |
| | | Includes: 7/8/9/10/11/22/23/24 |

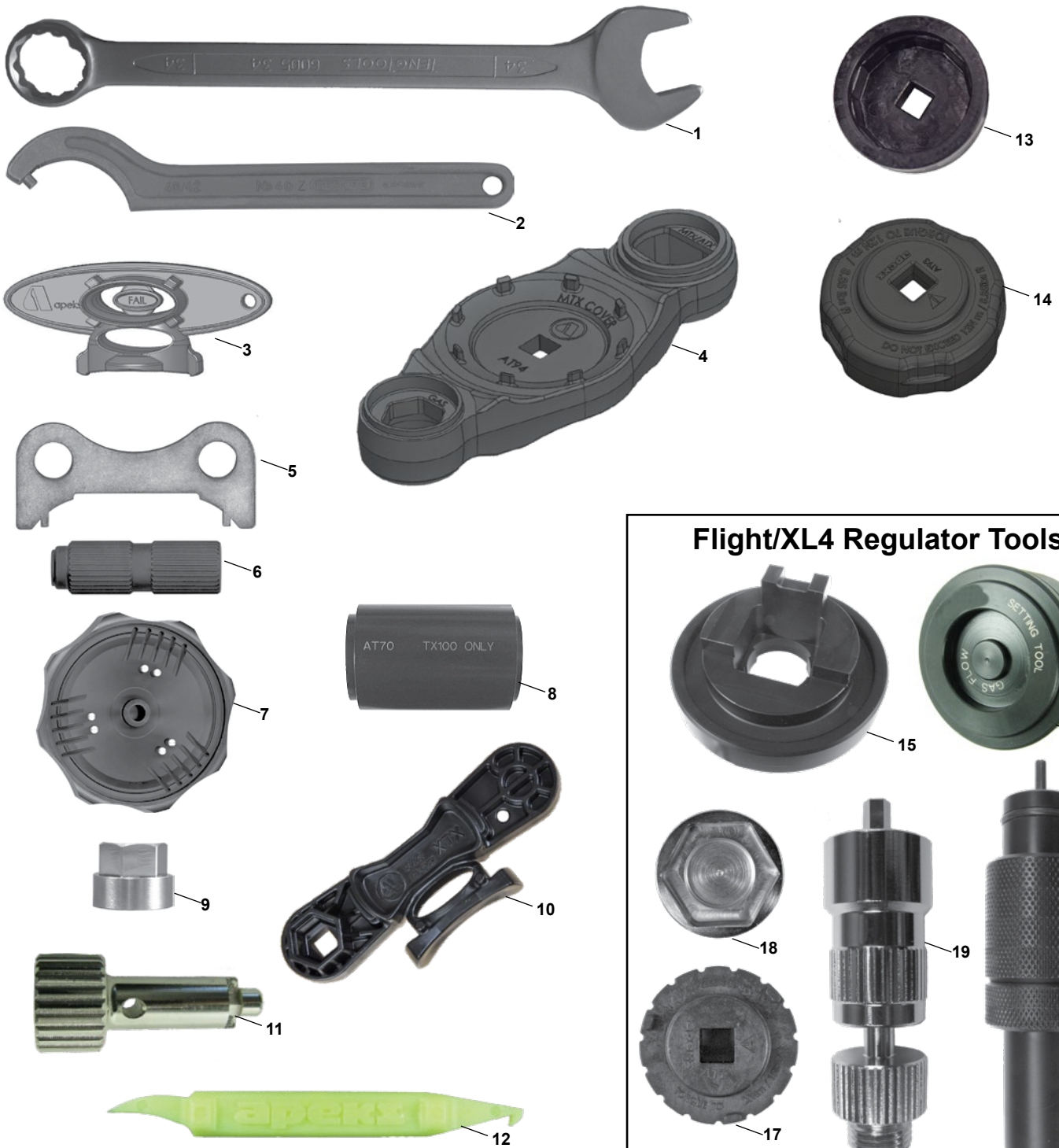
Lifeline Guide Reels



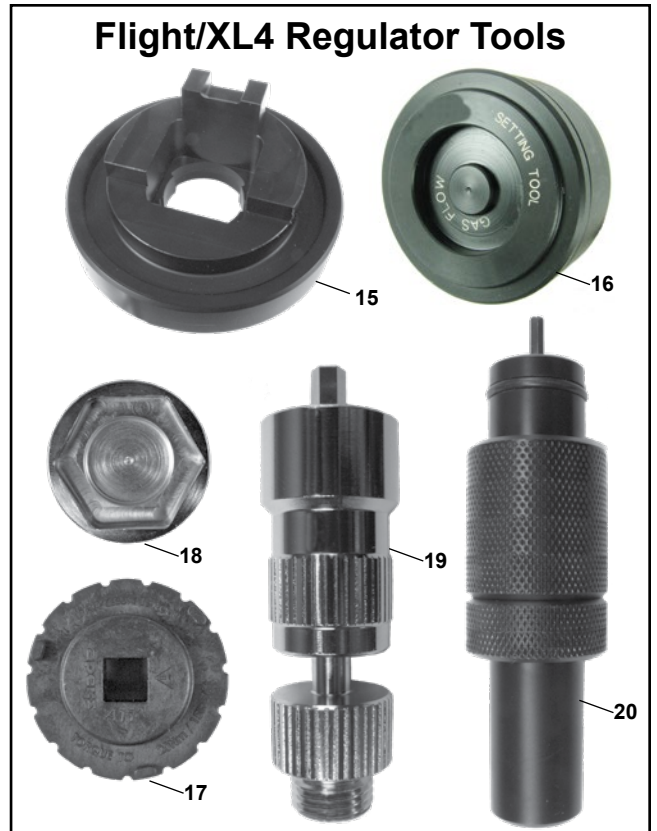
| KEY# | PART# | DESCRIPTION |
|------|----------|----------------------------|
| 1 | RE911135 | Shoulder Bolt, M5 16SLX6TL |
| 2 | RE911136 | Washer, Acetal, ID 6mm |
| 3 | RE911138 | Reel Knob, Orange |
| | RE911139 | Reel Knob, Purple |
| | RE911137 | Reel Knob, Green |
| | RE911140 | Reel Knob, Grey |
| 4 | RE911141 | Shoulder Washer ID 6.2 |
| 5 | RE911134 | Shoulder Bolt M8 25SLX13TL |
| 6 | RE911133 | Center Reel Bushing |
| 7 | RE911129 | Screw, M4X16 |
| 8 | RE911131 | Inner Disc for Spool |
| 9 | RE911123 | Reel Line, 120mX1.5mm Kit |
| 10 | RE911130 | Spool Spindle, 60m Reel |
| 11 | RE911132 | Outer Disc for Spool |
| 12 | AP7261 | Flat Washer |
| 13 | RE911143 | Reel Body, Guide |

| KEY# | PART# | DESCRIPTION |
|------|----------|---|
| 14 | RE911144 | Lock Nut, M8 Nylon A4 |
| 15 | RE911151 | Line Feeder, Guide Reel |
| 16 | RE911150 | Screw M4X10 CSK A4 |
| 17 | RE911146 | Reel End Clamp, Orange |
| | RE911147 | Reel end Clamp, Purple |
| | RE911145 | Reel End Clamp, Green |
| | RE911148 | Reel end Clamp, Grey |
| 18 | RE911149 | Reel Handle |
| 19 | RE911156 | Ball Stop |
| 20 | AP1109 | Pull Tab |
| 21 | RE911152 | Lock Bolt |
| 22 | RE911153 | O-ring |
| 23 | RE911154 | Friction Pad |
| 24 | RE911155 | Nut, Brass M6 |
| N/S | AP0728 | Spool Assembly 120m Includes: 7/8/9/10/11/22/23/24 |

Apeks Regulator Tools



Flight/XL4 Regulator Tools



| KEY# | PART# | DESCRIPTION |
|------|----------|----------------------------------|
| 1 | RG911174 | Wrench, 34mm (Thin) |
| 2 | RG911143 | Pin Spanner |
| 3 | RG911125 | XTX Cover/Lever Height Tool |
| 4 | RA911112 | Multi-Tool |
| 5 | RG911164 | TX100 Cover Tool |
| 6 | RG911171 | Spring Adjuster Tool |
| 7 | RG911186 | Egress Cover/Lever Height Tool |
| 8 | RG911192 | Lever Height Tool, TX100 |
| 9 | RG911132 | Status, Valve Lifter Fastener |
| 10 | RG911126 | 2013 XTX Cover/Lever Height Tool |

| KEY# | PART# | DESCRIPTION |
|------|----------|--|
| 11 | RG911137 | Seat Adjustment Tool |
| 12 | RG911233 | O-ring Tool, (6-pak) |
| 13 | RG911196 | Blk Sapphire End Cap Tool |
| 14 | RA911111 | End Cap Tool, MTX |
| 15 | RG911232 | Venturi/Inlet Removal Tool, XL4/Flight |
| 16 | RA911116 | Lever Height Tool, XL4/Flight |
| 17 | RG911161 | Diaphragm Clamp Tool, XL4/Flight |
| 18 | RG911225 | Yoke Connector Socket, Flight |
| 19 | RG911195 | Inline Adjustment Tool, XL4/Flight |
| 20 | RG911227 | Micro Adjuster Tool, XL4/Flight |

Part Number Index

INDEX**Numbers**

61896.....45
820043P..38, 39

Symbols “A”

AP0726....48
AP0727....48
AP0728....49
AP1109....48, 49
AP7261....48, 49

Symbols “B”

BA911114....47
BC1330101..42, 43
BC911111....42
BC911113....42
BC911114....42
BC911115....38
BC911116....39
BC911117....39, 41
BC911124....40, 41, 43, 44
BC911126....41, 42
BC911131....38, 41, 43
BC911132....38, 43
BC911133....38, 39,40, 42, 43
BC911134....38, 43
BC911135....43
BC911136....43
BC911139....38, 43
BC911144....42, 43
BC911157....42
BC911158....38
BC911159....38, 39
BC911160....38, 39
BC911163....38
BC911164....38
BC911178....38
BC911182....38
BC911184....39
BC911185....38
BC911186....38
BC911187....38
BC911189....38
BC911190....38
BC911191....39
BC911192....39
BC911194....39
BC911196....38
BC911197....39
BC911201....43, 44
BC911203....39, 43

BC911219....42
BC911220....42
BC911221....42
BC911222....42
BC911223....42
BC911232....38, 39
BC911237....39
BC911258....43, 44
BC911261....38
BC911263....38
BC911268....44
BC911269....44
BC911273....38
BC911348....38
BC911350....38, 39
BC911353....38
BC911354....38
BC911355....38
BC911359....38, 39
BC911360....38, 39
BC911368....38, 39
BC911372....38
BC911376....38, 39, 40, 41, 42,
43, 44
BC911382....38
BC911419....41, 43
BC911420....40, 41, 42, 43
BC911422....41
BC911431....44
BC911434....41
BC911440....43, 44
BC911441....38, 39
BC911444....44
BC911447....38, 39
BC911448....43
BC911451....42
BC911462....42
BC911466....43
BC911473....41, 42, 44
BC911475....41
BC911477....38
BC911479....42, 43
BC911480....38, 39
BC911488....44
BC911500....38
BC911501....41, 43
BC911505....42, 43
BC911510....41
BC911514....41
BC911516....41
BC911517....42, 43
BC911518....41
BC911519....44
BC911520....38
BC911522....43
BC911523....41
BC911525....41

BC911526....43
BC911527....42
BC911528....42
BC911529....42
BC911530....41
BC911532....39
BC911534....43
BC911535....41
BC911536....38
BC911537....39
BC911538....44
BC911539....41
BC911540....43
BC911541....41
BC911548....44
BC911551....39
BC911554....41, 42, 43
BC911555....39
BC911558....42
BC911559....42
BC911560....43
BC911561....42
BC911567....41
BC911568....41
BC911569....41, 42
BC911570....41, 42, 44
BC911571....44
BC911572....42
BC911573....42
BC911574....39
BC911577....40
BC911578....40
BC911579....40
BC911580....40
BC911581....40
BC911582....40
BC911583....40
BC911584....40, 43
BC911585....40
BC911586....40
BC911587....40
BC911588....40
BC911589....40
BC911590....40
BC911591....40
BC911592....40
BC911593....40
BC911594....40, 43
BC911595....40
BC911596....40
BC911597....40
BC911598....40
BC911599....40
BC911600....40
BC911601....40
BC911601....40
BC911603....40

BC911604....40
BC911605....40
BC911615....41
BC911616....41, 42, 43
BC911617....42, 43
BT114111....41
BT114113....41
BT114114....41
BT114115....41
BT114116....41
BT114117....41
BT114118....41
BT114119....41
BT114121....41
BT114122....41
BT114123....41
BT114124....41
BT115131....43
BT115137....41, 43
BT1180101UN....41
BT1340110....41
BT1430108UV....40

Symbols “D”

DR143111....45
DR143112....45
DR143115....45
DR143116....45
DR143117....45
DR911267....45
DR911271....45
DR911279....45
DR911283....45
DR911287....45

Symbols “F”

FA911222....47
FA911223....47
FA911224....47
FA911225....47

Symbols “H”

HG911181....47
HG911182....47
HG911183....47
HG911184....47
HG911185....47
HG911186....47
HG911187....47
HG911188....47

Symbols “M”

MS911254....47
MS911288....47
MS911342....47

Part Number Index

| | | | |
|--|--------------------|--|--|
| MS911344....47 | RA911112....50 | RG911122....29, 35, 37 | RG912055....15, 16, 17 |
| Symbols “N” | RA911116....50 | RG911123....27, 37 | RG912056....12, 19, 20, 22 |
| NS131137....9, 46 | RE121112....47 | RG911125....50 | RG912057....14, 15, 16, 17, 21, 22 |
| NS131138....9, 46 | RE122112....47 | RG911126....50 | RG912058....12,13,19, 20, 22 |
| NS131142....46 | RE122113....47 | RG911132....50 | RG912059....10, 12, 13, 14, 15,16,17,19, 20, 21, 22 |
| NS141111....46 | RE123112....47 | RG911137....50 | RG912060....16, 17, 20, 22 |
| NS911489....47 | RE124112....47 | RG911143....50 | RG912061....12, 13, 14, 15, 16, 17, 19, 20, 21, 22 |
| NS911491....47 | RE911123....49 | RG911161....50 | RG912062....10, 12, 13, 14, 15,16,17,19, 20, 21, 22 |
| NS911492....47 | RE911124....48 | RG911164....50 | RG912063....12, 13, 15, 16, 17, 19, 20 |
| NS911493....47 | RE911125....48 | RG911171....50 | RG912065....16, 17, 20, 22 |
| NS911494....47 | RE911126....48 | RG911174....50 | RG912066....14, 15, 20, 22 |
| NS911495....47 | RE911127....48 | RG911186....50 | RG912067....10, 12, 13, 14, 15,16,17,19, 20, 21, 22 |
| NS911496....47 | RE911128....48 | RG911192....50 | RG912068....14, 15, 16, 17 |
| NS911497....47 | RE911129....48, 49 | RG911195....50 | RG912069....14, 22 |
| NS911574....46 | RE911130....48, 49 | RG911196....50 | RG912070....20, 22 |
| NS911575....46 | RE911131....49 | RG911225....50 | RG912071....17 |
| NS911576....46 | RE911132....49 | RG911227....50 | RG912072....16, 20, 22 |
| NS911577....46 | RE911133....48, 49 | RG911232....50 | RG912078....13, 19 |
| NS911578....46 | RE911134....48, 49 | RG911233....50 | RG912079....30, 36 |
| NS911579....46 | RE911135....48, 49 | RG911252....31, 37 | RG912080....23, 24, 25, 26, 27, 28, 29, 30, 31, 32, 33, 34, 35, 36 |
| NS911580....46 | RE911136....48, 49 | RG911253....25, 26, 29, 30, 31, 32, 34, 35, 36 | RG912084....30, 36 |
| NS911581....46 | RE911137....49 | RG911254....23, 27, 31 | RG912085....36 |
| NS911582....46 | RE911138....49 | RG911340....32 | RG912087....29, 30, 35 |
| NS911583....46 | RE911139....49 | RG911406....32 | RG912090....24, 25, 26, 28, 29, 30, 33, 34, 35, 36 |
| NS911606....46 | RE911140....49 | RG911418....32 | RG912091....24, 25, 26, 28, 29, 30, 33, 34, 35, 36 |
| NS911607....46 | RE911141....48, 49 | RG911465....39 | RG912092....24, 25, 26, 28, 29, 30, 33, 34, 35, 36 |
| NS911629....47 | RE911143....49 | RG911842....38, 39 | RG912093....30, 36 |
| Symbols “R” | RE911144....48, 49 | RG911873....28, 33, 34, 36 | RG912094....30, 36 |
| RA112112....16, 17, 37 | RE911145....49 | RG912018....18 | RG912101....28, 29, 30, 34, 35, 36 |
| RA112113....18, 37 | RE911146....49 | RG912019....31 | RG912103....28, 34, 36 |
| RA112115....10, 12, 19, 20, 22, 37 | RE911147....49 | RG912020....31 | RG912105....20 |
| RA112117....37 | RE911148....49 | RG912021....28, 29 | RG912106....16 |
| RA112118....14, 22, 37 | RE911149....48, 49 | RG912023....28 | RG912107....17 |
| RA112136....13, 37 | RE911150....49 | RG912024....28, 29 | RG912108....20, 22 |
| RA114115....24 | RE911151....49 | RG912025....24, 25, 26, 28, 29, 30, 33, 34, 35, 36 | RG912111....46 |
| RA114116....25, 26 | RE911152....49 | RG912036....14, 16, 17 | RG912112....23, 27, 31, 32 |
| RA115112....37 | RE911153....49 | RG912037....12, 13, 19, 20, 22 | RG912114....10, 14, 21, 22 |
| RA117113....9, 16, 37 | RE911154....49 | RG912038....13, 14, 16, 17, 19, 20, 21, 22 | RG912115....10, 14, 21, 22 |
| RA117114....14, 20, 37 | RE911155....49 | RG912039....14 | RG912116....18 |
| RA117127....9 | RE911156....48, 49 | RG912040....10, 12, 13, 14, 16, 17, 19, 20, 21, 22 | RG912117....18 |
| RA117131....37 | RE911157....48 | RG912041....14, 16, 17, 19, 21, 22 | RG912118....18 |
| RA117132....37 | RE911158....48 | RG912042....12, 14, 15, 16, 17, 18, 19, 20, 21, 22 | RG912119....18 |
| RA117136....37 | RE911159....48 | RG912045....12, 14, 15, 16, 17, 18, 19, 20, 21, 22 | RG912120....18 |
| RA117137....23, 24, 25, 26, 27, 28, 29, 30, 31, 33, 34, 35, 36 | RE911160....48 | RG912046....13, 16 | RG912121....30, 36 |
| RA117143....25, 26, 28, 29, 33, 34, 35 | RE911161....48 | RG912047....10,12,13, 14, 15, 16, 17, 18,19, 20, 21, 22 | RG912123....24, 25, 26, 28, |
| RA117144....24, 26, 28, 29, 33, 34, 35 | RE911162....48 | RG912048....10, 12, 13, 14, 15, 16,17, 19, 20, 21, 22 | |
| RA121117....10, 12, 13, 14, 16, 17, 19, 20, 21, 22 | RE911163....48 | RG912050....30, 36 | |
| RA911111....50 | RE911164....48 | RG912053....15, 16, 17, 19 | |
| | RE911165....48 | | |
| | RE911166....48 | | |
| | RE911167....48 | | |
| | RE911168....48 | | |
| | RE911169....48 | | |
| | RE911170....48 | | |
| | RE911171....48 | | |
| | RE911172....48 | | |
| | RG911118....21 | | |

Part Number Index

| | | | |
|------------------------------|--------------------------------|-----------------------------|-----------------------------|
| 29, 30, 33, 34, 35, 36 | 33, 34, 35, 36 | RG912298....14, 21, 22 | RG912363....12, 13 |
| RG912124....30, 36 | RG912226....18, 34, 45 | RG912299....12, 13, 20, 22 | RG912364....25, 26 |
| RG912125....30, 36 | RG912227....10,12,13, 14, 15, | RG912300....13 | RG912366....13, 26 |
| RG912127....13, 14, 15, 16, | 16, 17, 18, 19,20, 21, 22 | RG912301....13 | RG912367....26 |
| 17, 18, 19, 20, 21, 22 | RG912228....10, 12, 14, 15, | RG912303....14, 15, 20, 21 | RG912368....26 |
| RG912129....26, 28, 29, 33, | 17, 19, 20, 21, 22, 34 | RG912304....17 | RG912372....18 |
| 34, 35 | RG912229....10, 12, 13, 14, | RG912305....16 | RG912373....18 |
| RG912130....25, 26, 28, 29, | 15, 16, 17, 18, 19, 20, | RG912306....16 | RG912374....18 |
| 34, 35 | 21, 22, 23, 24, 25, 26, | RG912307....16 | RG912376....14, 15, 20 |
| RG912132....34, 35 | 27, 28, 29, 30, 31, 32, | RG912310....24, 25, 26 | RG912377....18 |
| RG912133....28,29,33, 34, 35 | 33, 34, 35, 36 | RG912311....25, 26 | RG912378....18 |
| RG912137....29, 35 | RG912230....10, 12, 13, 15, | RG912312....25, 26 | RG912379....18 |
| RG912139....28,29,33, 34, 35 | 16, 17, 19, 20, 22, 30 | RG912313....12, 13, 19 | RG912380....18 |
| RG912140....24, 26, 28, 29, | RG912231....13, 16 | RG912314....13 | RG912381....18 |
| 33, 34, 35 | RG912232....13,16,24,25,26, | RG912317....29, 30, 35 | RG912382....18 |
| RG912141....31, 37 | 28,29,30,33, 34, 35, 36 | RG912318....28, 34, 36 | RG912383....30, 36 |
| RG912142....28, 29 | RG912233....24, 25, 26, 28, | RG912320....14, 22 | RG912384....24, 25, 26, 28, |
| RG912143....29, 35 | 29, 30, 33, 34, 35, 36 | RG912321....14, 22 | 29, 30, 33, 34, 35, 36 |
| RG912144....28, 29, 34, 35 | RG912234....24, 25, 26, 28, | RG912322....15 | RG912385....12 |
| RG912145....28, 34 | 29, 30, 33, 34, 35, 36 | RG912323....15 | RG912386....34, 35 |
| RG912146....28 | RG912235....23, 24, 27, 28, | RG912325....12, 15, 17, 19 | RG912387....29, 35 |
| RG912147....29, 33 | 31, 32, 33, 34, 36 | RG912326....18 | RG912388....35 |
| RG912148....28,29,33, 34, 35 | RG912237....23, 27, 31, 32 | RG912327....18 | RG912389....34, 35 |
| RG912149....25, 28, 29 | RG912238....23, 27, 31 | RG912328....18 | RG912390....24, 26, 28, 29, |
| RG912150....28, 34, 36 | RG912240....18 | RG912329....18 | 33, 34, 35 |
| RG912151....24,28,33, 34, 36 | RG912241....31 | RG912330....18 | RG912391....34, 35 |
| RG912155....21, 34 | RG912242....31 | RG912331....24, 28, 34 | RG912392....24, 25, 26, 28, |
| RG912156....21 | RG912243....26 | RG912333....28, 34, 36 | 29, 33, 34, 35 |
| RG912157....21 | RG912245....25, 26 | RG912334....28, 34, 36 | RG912394....29, 35 |
| RG912160....23, 27, 31 | RG912246....28 | RG912335....21 | RG912395....34 |
| RG912161....27, 31 | RG912248....26 | RG912336....13 | RG912396....34 |
| RG912162....23, 27, 31 | RG912249....26 | RG912337....33 | RG912397....34 |
| RG912163....31 | RG912250....13 | RG912338....33 | RG912398....34 |
| RG912164....31 | RG912251....13 | RG912339....32 | RG912399....31, 37 |
| RG912165....31 | RG912253....26 | RG912341....32 | RG912401....28, 29, 34, 35 |
| RG912166....31 | RG912254....26 | RG912342....23, 27, 31 | RG912409....28 |
| RG912167....31 | RG912255....28 | RG912343....27 | RG912410....29 |
| RG912168....31, 46 | RG912256....28, 34 | RG912344....27 | RG912414....27, 37 |
| RG912169....31 | RG912269....10, 12, 13, 19 | RG912346....12, 19 | RG912415....23, 27, 37 |
| RG912170....31 | RG912271....10, 12, 13,14, 15, | RG912347....16, 17, 20, 22 | RG912416....14, 21 |
| RG912171....31 | 16, 17, 19, 20, 21, 22 | RG912348....18 | RG912417....14, 16, 17, 19, |
| RG912196....23, 24, 25, 26, | RG912272....18 | RG912349....28 | 20, 21, 22 |
| 27, 28,29,31,33, 34, 35 | RG912275....14, 20 | RG912350....14 | RG912418....12 |
| RG912198....23, 24, 25, 26, | RG912279....24, 25, 26,28, 29, | RG912351....29 | RG912419....13 |
| 27, 28, 29, 30, 31, 32, | 30, 32, 33, 34, 35, 36 | RG912352....29 | RG912420....33 |
| 33, 34, 35, 36 | RG912281....23, 24, 25, 26, | RG912353....20, 28 | RG912421....26 |
| RG912216....30, 36 | 27, 28, 29, 30, 31, 32, | RG912354....21 | RG912422....32 |
| RG912217....14, 18, 22 | 33, 34, 35, 36 | RG912355....33 | RG912424....32 |
| RG912218....34, 35 | RG912286....18 | RG912356....12 | RG912425....32 |
| RG912222....23, 24, 25, 26, | RG912288....34 | RG912358....17 | RG912426....32 |
| 27, 28, 29, 30, 31, 32, | RG912289....34 | RG912359....12 | RG912427....27 |
| 33, 34, 35, 36, 45 | RG912290....35 | RG912360....26, 28, 29, 30, | RG912429....23, 27, 31 |
| RG912223....24,28,33, 34, 36 | RG912291....14 | 31, 33, 37 | RG912430....31 |
| RG912224....10,12,13,14,15, | RG912292....28 | RG912361....25, 26, 28, 29, | RG912431....31 |
| 16,17,18,19, 20,21, 22 | RG912295....32 | 30, 31, 32, 37 | RG912432....23, 27 |
| RG912225....23, 24, 25, 26, | RG912296....23, 27, 31 | RG912362....10, 12, 13,14, | RG912434....27 |
| 27, 28, 29, 30, 31, 32, | RG912297....23, 27, 31 | 15,16,17,19, 20, 21, 22 | RG912435....27 |

Part Number Index

| | | |
|--|--|--|
| RG912436....27 | RG912560....10 | RT134114....17 |
| RG912437....27 | RG912561....10 | RT141114....10, 12, 13, 14, 15, 16, 17, 19, 20, 21,22, 37 |
| RG912438....27 | RG912569....10 | RT141115....18, 37 |
| RG912440....27 | RG912570....10 | |
| RG912441....27 | RG912571....10 | Symbols "T" |
| RG912450....24 | RG912572....10 | TH117123....9 |
| RG912451....46 | RG912573....10 | TH117136....47 |
| RG912452....45 | RG912574....10 | TH163000....47 |
| RG912453....10, 12, 13, 14, 15, 16, 17, 18, 19, 20, 21, 22, 46 | RH111118....9 | TL117000....45 |
| RG912454....10, 12, 13, 19 | RH111124....46 | TL900011....45 |
| RG912455....32 | RH112117....9 | TL900012....45 |
| RG912456....23, 27, 37 | RH113111....27, 37 | TL900014....30, 36 |
| RG912457....17 | RH113115....28, 29, 37 | TL900015....15 |
| RG912458....33 | RH113116....25, 26, 37 | |
| RG912459....18 | RH113122....31, 37 | |
| RG912460....30, 36 | RH113137....30, 32, 37 | |
| RG912461....24 | RH113139....25, 26, 37 | |
| RG912462....24 | RH114119....28, 29, 37 | |
| RG912463....24, 28, 29 | RH114135....33, 37 | |
| RG912464....14, 22 | RH114146....31, 37 | |
| RG912466....24 | RH114162....30, 37 | |
| RG912467....24 | RH114167....30, 37 | |
| RG912469....24 | RH114231....26, 37 | |
| RG912470....24 | RH114234....9, 37 | |
| RG912471....24 | RH114236....9, 37 | |
| RG912472....24 | RH114257....27, 37 | |
| RG912514....27 | RH114288....24, 37 | |
| RG912517....38 | RH114292....23, 37 | |
| RG912522....23, 27 | RH114293....23, 37 | |
| RG912527....10 | RH114294....23, 37 | |
| RG912528....10 | RS116111....9, 26 | |
| RG912529....10 | RS116119....24 | |
| RG912531....10 | RS118113....27 | |
| RG912532....10 | RS118118....23 | |
| RG912533....10 | RS118123....23 | |
| RG912534....10 | RS129111....28 | |
| RG912535....10 | RS131111....29 | |
| RG912538....10 | RS132111....9, 28 | |
| RG912539....23 | RS135111....23, 24, 25, 26, 27, 28, 29, 30, 31, 32, 33, 34, 35, 36, 37 | |
| RG912540....23 | RS135116....31, 37 | |
| RG912541....10 | RS135121....34, 37 | |
| RG912542....23 | RT111115....12 | |
| RG912543....23 | RT111116....12 | |
| RG912544....23 | RT111117....10 | |
| RG912545....23 | RT111118....10 | |
| RG912546....23 | RT111119....10 | |
| RG912547....23 | RT111120....10 | |
| RG912549....23 | RT127111....9, 13 | |
| RG912551....23, 37 | RT127112....13 | |
| RG912552....23, 37 | RT129112....9, 16 | |
| RG912553....10 | RT129116....16 | |
| RG912554....10 | RT132111....14 | |
| RG912555....23 | RT132113....14 | |
| RG912556....23 | RT133113....15 | |
| RG912557....23 | RT134113....17 | |



 **apeks**

2340 Cousteau Court, Vista, CA 92081, U.S.A.

©2022 Aqualung International All rights reserved (rev: 04/2022)