

# 2017

SPARE PARTS CATALOG

AQUA LUNG®  **apeks®**





## ONLINE TRAINING PROGRAM

Aqua Lung offers online training courses through our secure B2B or Technician Only are at [www.aqualung.com](http://www.aqualung.com)

Successful completion of a course results in a printable wall certificate acknowledging the store or technician and provides access to repair manuals, associated schematics, bulletins and resource materials.



To learn more about online training, logon to the B2B or Tech Only site and click the Online Training found under *Technical Support*.

### BENEFITS:

- Online courses serve as a qualification program and an up-to-date reference source
- Training can take place anytime 24/7 and anywhere the internet is available
- Each course contains multimedia, text, photos, illustrations and videos and can be paused and resumed as needed with knowledge retention measured by quizzes along the way
- After the course has been successfully completed, the student may return as often as they wish as long as they remain employed by an Aqua Lung dealer.
- Allows Aqua Lung to communicate directly with service department personnel
- Affordable, the \$40.00 per course fee can be recovered by servicing just one regulator

# Table of Contents

How to Use the Spare Parts Catalog & Price List.....	4	ATX200/100/50 Series (2002-2008) ( <i>discontinued</i> ).....	56
<b>AQUA LUNG FIRST STAGES</b>		<b>CYLINDER VALVES</b>	
Legend Lux Series (2012-Present).....	5	K-Valve • DIN Valve • Z-Valve Air ( <i>discontinued</i> ) .....	57
Legend Series (2012-Present).....	6	<b>AIRSOURCE &amp; INFLATORS</b>	
Legend Glacia (2014-Present).....	7	Airsource 3.....	58
Core Series (2015-Present).....	8	i3 Inflator & Oral Assembly.....	59
Mikron.....	9	Flat E-Valve.....	60
Titan Series (2010-Present).....	10	Powerline Inflator.....	61
Calypso Series (2004-Present).....	11	Apeks Inflator.....	62
Conshelf XIV Series.....	12	Powerline Inflator w/Dual Valve ( <i>discontinued</i> ).....	63
Titan LX Series ( <i>discontinued</i> ).....	13	Air Source 2 ( <i>discontinued</i> ) .....	64
Legend Series ( <i>discontinued</i> ).....	14	<b>BUOYANCY COMPENSATORS (Current Models)</b>	
Kronos Series ( <i>discontinued</i> ).....	15	Axiom • Axiom i3.....	65
Titan Series ( <i>discontinued</i> ).....	16	Black Ice (Apeks) • Dimension i3/Lotus i3.....	66
Cousteau • SEA ( <i>discontinued</i> ).....	17	Dimension/Lotus • Pearl.....	67
<b>MISTRAL REGULATOR (<i>discontinued</i>)</b>		Pro HD • Pro.....	68
Mistral First Stage.....	18	Soul i3 • Soul.....	69
Mistral Second Stage.....	19	WSX Side Mount (Apeks) • WTX-D (Apeks).....	70
Mistral Mouthpiece.....	20	Wave 2016 • Zuma.....	71
<b>AQUA LUNG SECOND STAGES</b>		<b>BUOYANCY COMPENSATORS (Discontinued Models)</b>	
Legend LX Series (2012-Present).....	21	Black Diamond.....	72
Legend Series (2012-Present).....	22	Balance/Libra • Diva LX/Diva XLT/Diva QD/Diva.....	73
Legend LX Glacia (2007-Present).....	23	Latitude XLT/Latitude • Malibu.....	74
Core Series (2015-Present).....	24	Pacifica • Passport.....	75
Mikron Series.....	25	Pearl i3 • Pearl.....	76
Titan/Calypso Classic Series (2004 to Present).....	26	Pro LT • Pro QD (Aqua Lung).....	77
Conshelf XIV.....	27	Pro • Pro-QD (SQ) • Pro-XLT • Pro-QD i3.....	78
Legend Glacia Octopus.....	28	Pro Unlimited • WTX (Apeks).....	79
ABS Octopus.....	29	Wave (SQ) 05-09 • Wave 2010-15.....	80
Titan/Calypso QC Series ( <i>discontinued</i> ).....	30	<b>BACKPACKS &amp; ACCESSORIES</b>	
Titan LX & Legend Series ( <i>discontinued</i> ).....	31	Buoyancy Compensator Accessories.....	81
Legend LX Series ( <i>discontinued</i> ).....	32	Weight Pouches.....	82
Kronos Series ( <i>discontinued</i> ).....	33	Backpack Components.....	83
Micra ADJ ( <i>discontinued</i> ).....	34	Cap-off Kit • Dump Valve Kits.....	84
Titan•Cousteau•Calypso•Partner•Octo ( <i>discontinued</i> ).....	35	<b>DRYSUIT SPARES</b>	
Aqua Lung Common Reg Spares.....	36	Inflators • Deflators • Hoses.....	85
Apeks Common Reg Spares.....	37	Seals.....	86
<b>APEKS FIRST STAGES</b>		<b>DIVE COMPUTERS AND GAUGES</b>	
Flight.....	38	Apeks Analog Instruments.....	87
XTX200 (2006-Present).....	39	Aqua Lung Instruments.....	88
XTX100 (2006-Present).....	40	Miscellaneous.....	94
TEK 3.....	41	<b>ACCESSORIES</b>	
XTX50 • ATX50 • TX50 • XTX40 • ATX40.....	42	Knives • Lights • Bags.....	94
XTX20 • AT20 • DS4.....	43	Masks.....	95
Black Sapphire ( <i>discontinued</i> ).....	44	Snorkels • Fins.....	96
Status ( <i>discontinued</i> ).....	45	<b>TOOLS</b>	
ATX200 (2002-2008) ( <i>discontinued</i> ).....	46	Aqua Lung • Sea Quest Regulator Tools.....	97
ATX100 (2004-2006) ( <i>discontinued</i> ).....	47	Apeks Regulator Tools.....	98
<b>APEKS SECOND STAGES</b>		BC & Air Source • Valve Tools • Drysuit.....	99
Flight Series.....	48	<b>INDEX</b>	
XTX200/100/50 Series (2013-present).....	49	Parts Index.....	100
XTX40/20 Series (2013-present).....	50		
ATX40 • AT20 Series (2002-Present).....	51		
Egress.....	52		
Black Sapphire ( <i>discontinued</i> ).....	53		
XTX200/100/50 Series (2006-2012) ( <i>discontinued</i> ).....	54		
XTX40/20 Series (2006-2012) ( <i>discontinued</i> ).....	55		

## How to Use the Spare Parts Catalog & Price List

The Spare Parts Catalog & Price List are designed to be easy-to-use references for locating currently available part numbers and prices for most Aqua Lung products, including regulators, BCs, valves, instruments and rubber goods. It is not intended to be a substitute for the various Aqua Lung Repair Manuals. Because the schematic drawings and parts listed contain the most recent revisions to the products shown, this document should be referred to exclusively whenever ordering replacement parts.

### Finding the part number and price

There are three simple steps for finding a part number and its price:

- Find the product in the Table of Contents of this catalog and turn to the appropriate page.
- Find the part in the exploded drawing and note the key number. Find the key number in the parts listing located below the exploded drawing. Next to the key number is the part number.
- Refer to the **Spare Parts & Specialty Tools Price List**, and locate the part number. Next to the part number is the dealer price and retail price.

### Mandatory overhaul replacement parts

Some products have mandatory overhaul replacement parts, which should be replaced every time the product is serviced. Any part in ***BOLD ITALICS*** is considered a mandatory overhaul part, and should not be reused under any circumstances after the product has been disassembled. These parts can be ordered individually, or in complete kits which are available for each model regulator.

### Parts no longer available (NLA)

Some older, discontinued products have parts that are no longer available. If a part was never or no longer available, the letters NLA will replace the part number in the parts list.

### Parts no shown (N/S)

Part are available but not shown on the schematic.

### Using the Part Number Index

If you know the part number for a specific item and want to find where it is used (or isn't used), you will want to use the Part Number Index . To use the index, you first need to locate the part number in the listing. Next to each part number are the page numbers on which the part can be found. If, for example, you want to know what products use the AP2034 medium pressure seat, you can refer to the Part Number Index, where you will find the pages to the products that use AP2034.

### A Reminder

Parts may only be sold to Authorized Aqua Lung Pro-Line Dealers, and must be installed only by technicians who have received factory authorized training. Proper storage is important to ensure the quality of these parts. Be sure to store parts in a manner to prevent premature degradation of rubber and other soft materials, and to prevent damage to those parts which contain delicate sealing surfaces.

## Legend LUX Series 2012-Present



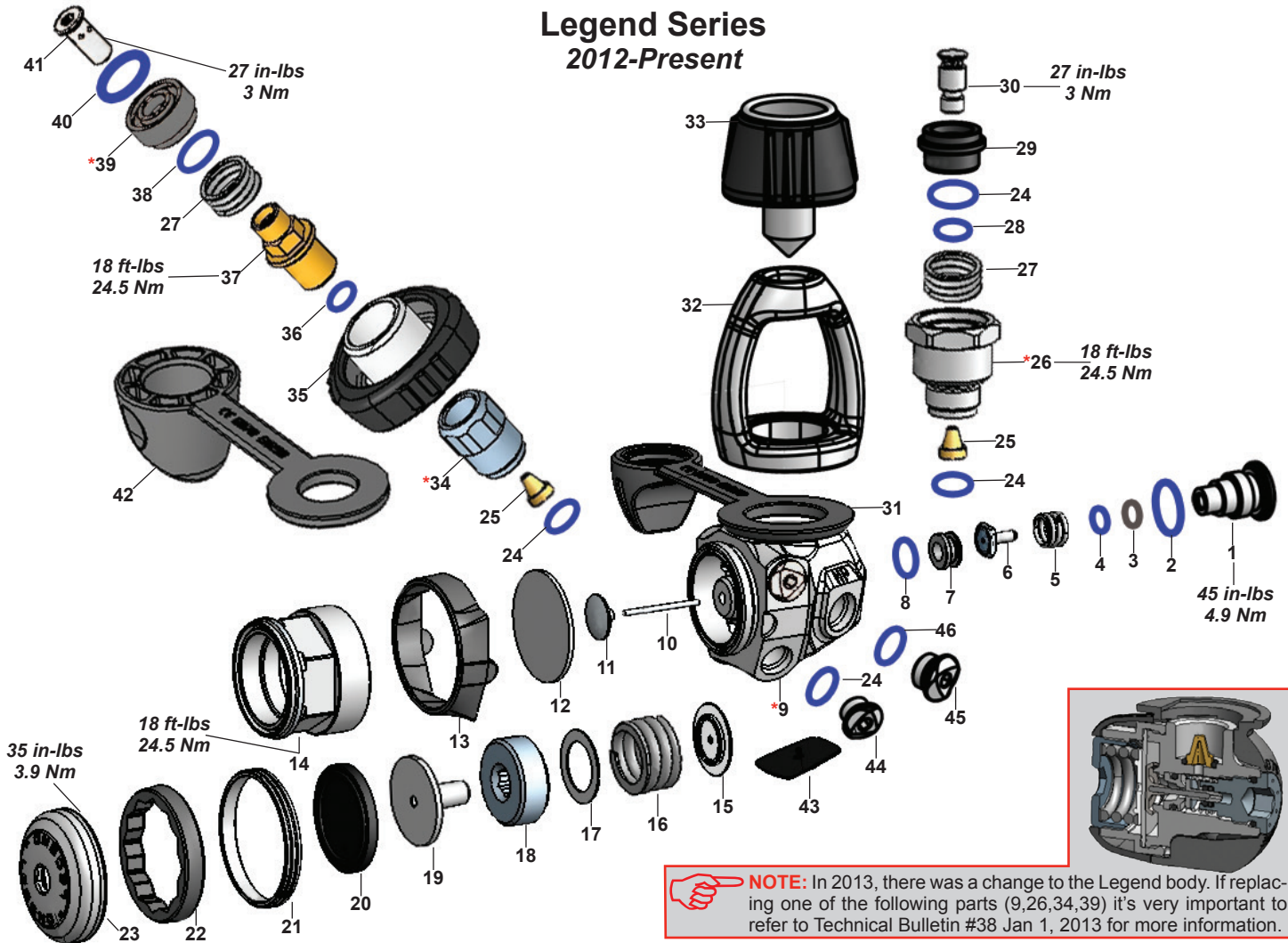
**NOTE:** In 2013, there was a change to the Legend body. If replacing one of the following parts (9,26,34,39) it's very important to refer to Technical Bulletin #38 Jan 1, 2013 for more information.

Key #	Part #	Description
-----	<b>900017</b>	<b>Overhaul Parts Kit ACD (Yoke and DIN)</b>
1----	129709	HP Balance Plug, Pink/Gold
2----	<b>824407P</b>	<b>O-ring (20 pk)</b>
3----	<b>119129</b>	<b>Backup ring</b>
4----	<b>820080P</b>	<b>O-ring (25 pk)</b>
5----	122244	Spring
6----	<b>105940</b>	<b>HP Seat</b>
7----	127585	Crown
8----	<b>820038P</b>	<b>O-ring (20 pk)</b>
9----	129262	Body, Black PVD, 2013
----	129811	Body, Black PVD
10----	102002	Pin
11----	129121	Pin Support
12----	<b>119159</b>	<b>Diaphragm</b>
13----	129609	Protector, Dry Chamber
14----	129602	Diaphragm Clamp
15----	127565	Spring Pad
16----	127567	Main Spring
17----	<b>127568</b>	<b>Washer</b>
18----	127566	Adjustment Screw
19----	129606	Piston
20----	129126	Diaphragm, Secondary
21----	129702	Ring, Pink/Gold
22----	129611	Washer, Dry Chamber
23----	129701	Dry Chamber Cap, Black PVD

Key #	Part #	Description
24----	<b>820011P</b>	<b>O-ring (25 pk)</b>
25----	<b>129209</b>	<b>Filter, ACD</b>
26----	129266	Yoke Retainer, Black PVD, 2013
----	129719	Yoke Retainer, Black PVD
27----	129204	Spring, ACD
28----	<b>820009P</b>	<b>O-ring (10 pk)</b>
29----	129704	Yoke Crown, Pink/Gold
30----	129716	Yoke Shutter Valve, Black PVD
31----	129607	Dust Cover, Yoke
32----	129713	Yoke, Black PVD
33----	129721	Yoke Screw, Pink/Gold
34----	129241	DIN Union, 2013
----	129214	DIN Filter Holder
35----	129722	DIN Handwheel, Black PVD
36----	<b>820010P</b>	<b>O-ring (25 pk)</b>
37----	129213	DIN Screw
38----	<b>820322P</b>	<b>O-ring (10 pk)</b>
39----	129264	DIN Shutter Crown, Black PVD, 2013
----	129616	DIN Shutter Crown, Black PVD
40----	<b>820094P</b>	<b>O-ring (20 pk)</b>
41----	129714	DIN Shutter Valve, Pink/Gold
42----	129608	DIN Cap
43----	129617	Decal
44----	129707	Plug, MP Port, 3/8 inch, Pink/Gold
45----	129708	Plug, HP Port, 7/16 inch, Pink/Gold
46----	<b>820072P</b>	<b>O-ring, HP Port (20 pk)</b>

Part numbers in **BOLD ITALICS** indicate standard overhaul replacement part

## Legend Series 2012-Present



**NOTE:** In 2013, there was a change to the Legend body. If replacing one of the following parts (9,26,34,39) it's very important to refer to Technical Bulletin #38 Jan 1, 2013 for more information.

Key #	Part #	Description
-------	--------	-------------

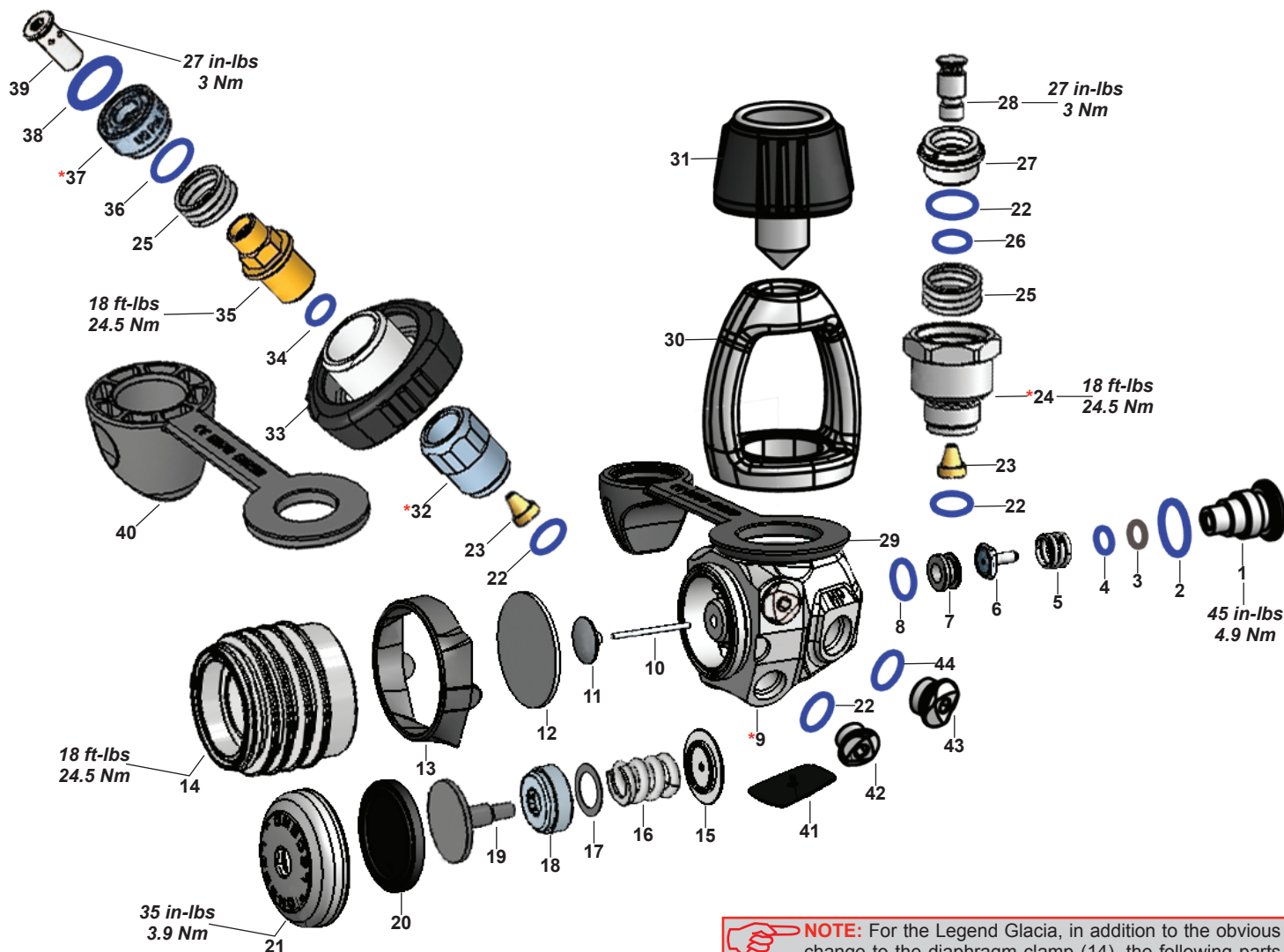
-----	<b>900017</b>	<b>Overhaul Parts Kit ACD (Yoke and DIN)</b>
-----	129635	First Stage Legend LX ACD, Yoke
-----	129645	First Stage Legend LX ACD, DIN
-----	129021	DIN Adapter Kit, (2013>)
-----	129803	DIN Adapter Kit, (2012)
1	129604	HP Balance Plug, Chrome, LX & Legend
-----	129746	HP Balance Plug, Satin, LX Supreme & Legend Sup
2	<b>824407P</b>	<b>O-ring (20 pk)</b>
3	<b>119129</b>	<b>Backup ring</b>
4	<b>820080P</b>	<b>O-ring (25 pk)</b>
5	122244	Spring
6	<b>105940</b>	<b>HP Seat</b>
7	127585	Crown
8	<b>820038P</b>	<b>O-ring (20 pk)</b>
9	129257	Body, Chrome, LX & Legend, 2013
-----	129808	Body, Chrome, LX & Legend
-----	129259	Body, Satin, LX Supreme & Leg Supreme, 2013
-----	129809	Body, Satin, LX Supreme & Legend Supreme
10	102002	Pin
11	129121	Pin Support
12	<b>119159</b>	<b>Diaphragm</b>
13	129609	Protector, Dry Chamber
14	129602	Diaphragm Clamp
15	127565	Spring Pad
16	127567	Main Spring
17	<b>127568</b>	<b>Washer</b>
18	127566	Adjustment Screw
19	129606	Piston
20	129126	Diaphragm, Secondary
21	129623	Ring, Chrome, LX & Legend
-----	129747	Ring, Satin, LX Supreme & Legend Supreme

Key #	Part #	Description
-------	--------	-------------

22	129611	Washer, Dry Chamber
23	129603	Dry Chamber Cap, Chrome, LX & Legend
-----	129744	Dry Chamber Cap, Satin, LX Supreme & Legend Sup
24	<b>820011P</b>	<b>O-ring (25 pk)</b>
25	<b>129209</b>	<b>Filter, ACD</b>
26	129242	Yoke Retainer, Chrome, 2013
-----	129212	Yoke Retainer, Chrome
27	129204	Spring, ACD
28	<b>820009P</b>	<b>O-ring (10 pk)</b>
29	129614	Yoke Crown, Black, LX & LX Supreme
-----	129205	Yoke Crown, Chrome, Legend & Legend Supreme
30	129207	Yoke Shutter Valve, LX & Legend
31	129607	Dust Cover, Yoke
32	124611	Yoke, Chrome, LX & Legend
-----	106843	Yoke, Satin, LX Supreme & Legend Supreme
33	129618	Yoke Screw
34	129241	DIN Union, 2013
-----	129214	DIN Filter Holder
35	129619	DIN Handwheel
36	<b>820010P</b>	<b>O-ring (25 pk)</b>
37	129213	DIN Screw
38	<b>820322P</b>	<b>O-ring (10 pk)</b>
39	129264	DIN Shutter Crown, Blk PVD, LX & LX Sup, 2013
-----	129616	DIN Shutter Crown, Black PVD, LX & LX Supreme
-----	129243	DIN Shutter Crown, Chrome, Leg & Leg Sup, 2013
-----	129203	DIN Shutter Crown, Chrome, Legend & Leg Sup
40	<b>820094P</b>	<b>O-ring (20 pk)</b>
41	129202	DIN Shutter Valve
42	129608	DIN Cap
43	129617	Decal
44	129612	Plug, MP Port, 3/8 inch
45	129613	Plug, HP Port, 7/16 inch
46	<b>820072P</b>	<b>O-ring, HP Port (20 pk)</b>

Part numbers in **BOLD ITALICS** indicate standard overhaul replacement part

## Legend Glacia 2014-Present



**NOTE:** For the Legend Glacia, in addition to the obvious change to the diaphragm clamp (14), the following parts (15-19) are not the same as the rest of the Legend series.

Key #	Part #	Description
-----	<b>900017</b>	<b>Overhaul Parts Kit ACD (Yoke and DIN)</b>
-----	129865	First Stage, Glacia Legend, Yoke
-----	129875	First Stage, Glacia Legend, DIN
-----	129021	DIN Adapter Kit, (2013>)
1----	129604	HP Balance Plug, Chrome
2----	<b>824407P</b>	<b>O-ring (20 pk)</b>
3----	<b>119129</b>	<b>Backup ring</b>
4----	<b>820080P</b>	<b>O-ring (25 pk)</b>
5----	122244	Spring
6----	<b>105940</b>	<b>HP Seat</b>
7----	127585	Crown
8----	<b>820038P</b>	<b>O-ring (20 pk)</b>
9----	129257	Body, Chrome
10----	102002	Pin
11----	129121	Pin Support
12----	<b>119159</b>	<b>Diaphragm</b>
13----	129609	Protector, Dry Chamber
14----	129851	Diaphragm Clamp
15----	124560	Spring Pad
16----	106356	Main Spring
17----	<b>845097</b>	<b>Washer</b>
18----	106026	Adjustment Screw
19----	129123	Piston

Key #	Part #	Description
20----	129126	Diaphragm, Secondary
21----	129603	Dry Chamber Cap, Chrome
22----	<b>820011P</b>	<b>O-ring (25 pk)</b>
23----	<b>129209</b>	<b>Filter, ACD</b>
24----	129242	Yoke Retainer, Chrome
25----	129204	Spring, ACD
26----	<b>820009P</b>	<b>O-ring (10 pk)</b>
27----	129205	Yoke Crown, Chrome
28----	129207	Yoke Shutter Valve
29----	129607	Dust Cover, Yoke
30----	124611	Yoke, Chrome
31----	129618	Yoke Screw
32----	129241	DIN Union
33----	129619	DIN Handwheel
34----	<b>820010P</b>	<b>O-ring (25 pk)</b>
35----	129213	DIN Screw
36----	<b>820322P</b>	<b>O-ring (10 pk)</b>
37----	129243	DIN Shutter Crown, Chrome
38----	<b>820094P</b>	<b>O-ring (20 pk)</b>
39----	129202	DIN Shutter Valve
40----	129608	DIN Cap
41----	129617	Decal
42----	129612	Plug, MP Port, 3/8 inch
43----	129613	Plug, HP Port, 7/16 inch
44----	<b>820072P</b>	<b>O-ring, HP Port (20 pk)</b>

Part numbers in **BOLD ITALICS** indicate standard overhaul replacement part

**Core Series  
2015-Present**



**Key # Part # Description**

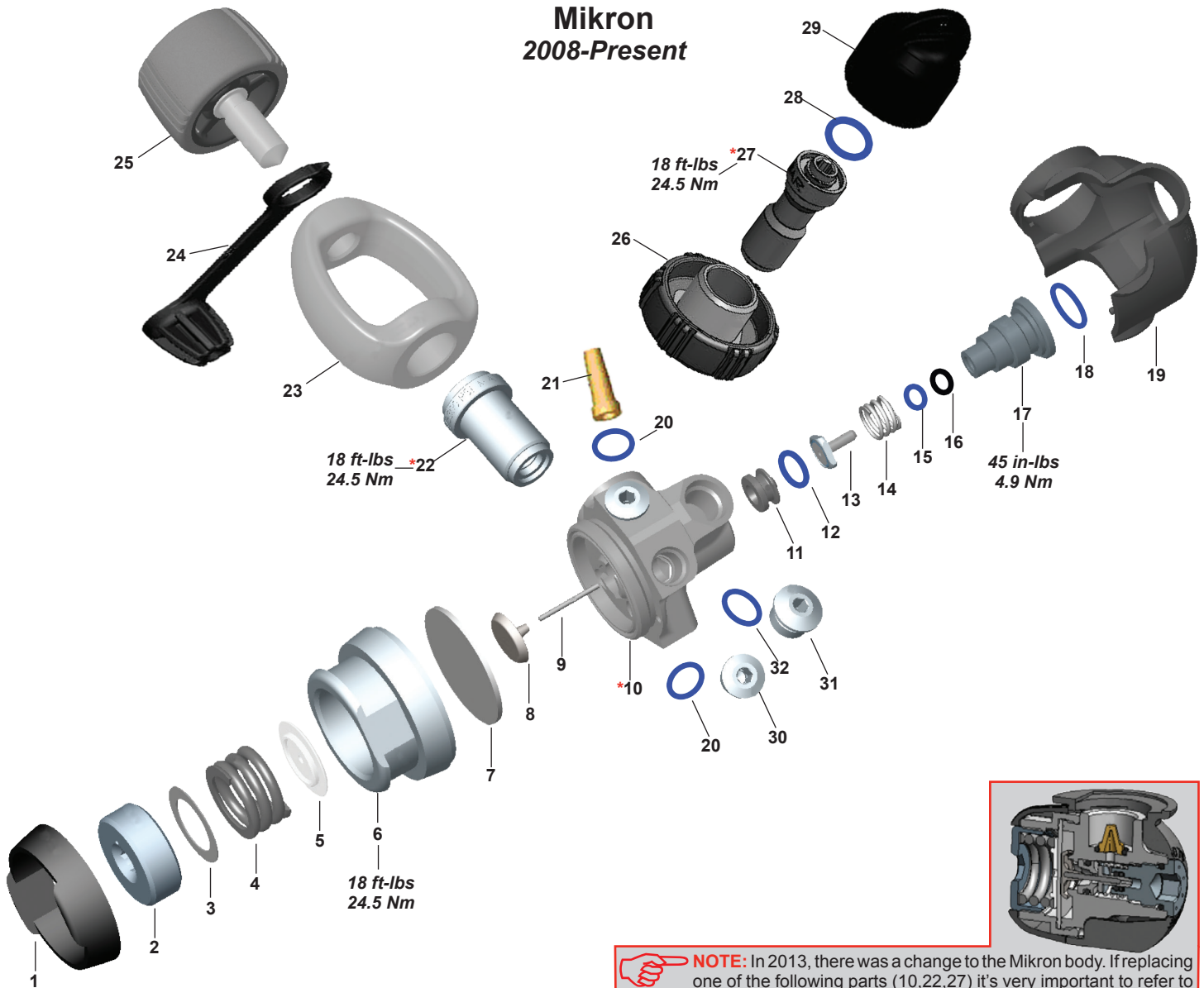
16	820038P	O-ring (20 pk)
17	105940	HP Seat
18	122244	Spring
19	820080P	O-ring (25 pk)
20	119129	Back-up Ring
21	824407P	O-ring (20 pk)
22	129120	Plug
23	128124	Protector, Body
24	820072P	O-ring (20 pk)
25	103137	Plug, HP Port, 7/16"
26	820011P	O-ring (25 pk)
27	103133	Plug, MP Port, 3/8"
28	129209	Filter
29	124611	Yoke
30	127574	Yoke Screw
31	124555	Dust Cap
32	129242	Yoke Retainer
33	129204	Spring
34	820009P	O-ring (10 pk)
35	129205	Yoke Crown
36	129207	Yoke Shutter Valve
37	129241	DIN Union
38	129929	DIN Handwheel
39	820010P	O-ring (25 pk)
40	129213	DIN Screw
41	820322P	O-ring (10 pk)
42	129243	DIN Shutter crown
43	820094P	O-ring (20 pk)
44	129202	DIN Shutter Valve
45	129216	DIN ACD Cap

**Key # Part # Description**

----	<b>900018</b>	<b>Overhaul Parts Kit, (Yoke and DIN)</b>
----	129925	First Stage, Core Supreme, Yoke
----	129946	DIN Adapter Kit, ACD, Core
----	129945	Supreme/Dry Kit, Core
1	129902	Diaphragm Retainer
<b>2</b>	<b>127579</b>	<b>Diaphragm, Secondary</b> *(Not included in 900018)
3	125713	Decal, Aqua Lung Logo
4	127581	Piston
5	128117	Adjustment Screw
----	127566	Adjustment Screw, Supreme
<b>6</b>	<b>127568</b>	<b>Washer</b>
7	127567	Spring
8	127565	Spring Pad
9	129904	Diaphragm Clamp
----	129903	Diaphragm Clamp, Supreme
10	129958	Washer w/Decal
----	129959	Washer w/Decal, Supreme
<b>11</b>	<b>119159</b>	<b>Diaphragm</b>
12	127563	Pin Support
13	127564	Pin
14	129254	Body
15	127585	Crown

Part numbers in **BOLD ITALICS** indicate standard overhaul replacement part

### Mikron 2008-Present



**NOTE:** In 2013, there was a change to the Mikron body. If replacing one of the following parts (10,22,27) it's very important to refer to Technical Bulletin #38 Jan 1, 2013 for more information.

Key #	Part #	Description
----	<b>900014</b>	<b>Overhaul Parts Kit, (Yoke and DIN)</b>
----	127945	First Stage, Mikron, Yoke, Blk/Blue
----	127925	First Stage, Mikron, Yoke, Blk/Pink
----	129022	DIN Adapter Kit (2013>)
----	127865	DIN Adapter Kit (<2012)
1----	127888	Spacer, Black/Blue
----	127878	Spacer, Black/Pink
----	127872	Spacer, Black/Green
----	127837	Spacer, Black/Red
----	127839	Spacer, Vanilla
2----	127566	Adjustment Screw
<b>3----</b>	<b>127568</b>	<b>Washer</b>
4----	127567	Spring
5----	127565	Spring Pad
6----	127583	Spring Retainer
----	127874	Spring Retainer, (2-HP Ports)
<b>7----</b>	<b>119159</b>	<b>Diaphragm</b>
8----	127563	Pin Support
9----	127564	Pin
10----	129254	Body, 2013
----	<b>NLA</b>	Pre 2013 Body, w/2-HP Ports
----	<b>NLA</b>	Pre 2013 Body, w/1-HP Port
11----	127585	Crown

Key #	Part #	Description
12----	<b>820038P</b>	<b>O-ring (20 pk)</b>
13----	<b>105940</b>	<b>HP Seat</b>
14----	122244	Spring
15----	<b>820080P</b>	<b>O-ring (25 pk)</b>
16----	<b>119129</b>	<b>Back-up Ring</b>
17----	129120	Plug
18----	<b>824407P</b>	<b>O-ring (20 pk)</b>
19----	127876	Sheath, Black, (2-HP Ports)
----	127831	Sheath, Vanilla, (1-HP Port)
----	127804	Sheath, Black, (1-HP Port)
20----	<b>820011P</b>	<b>O-ring (25 pk)</b>
21----	<b>129151</b>	<b>Filter</b>
22----	129253	Inlet Fitting, 2013
----	127808	Inlet Fitting
23----	127807	Yoke
24----	124555	Dust Cap
25----	127805	Yoke Screw
26----	127803	DIN Handwheel
27----	129251	DIN Fitting, 2013
----	127801	DIN Fitting
28----	<b>820094P</b>	<b>O-ring (20 pk)</b>
29----	124665	DIN ACD Cap
30----	103133	Plug, MP Port, 3/8"
31----	103137	Plug, HP Port, 7/16"
32----	<b>820072P</b>	<b>O-ring (20 pk)</b>

Part numbers in **BOLD ITALICS** indicate standard overhaul replacement part

**Titan Series (non ACD)**  
2010-Present



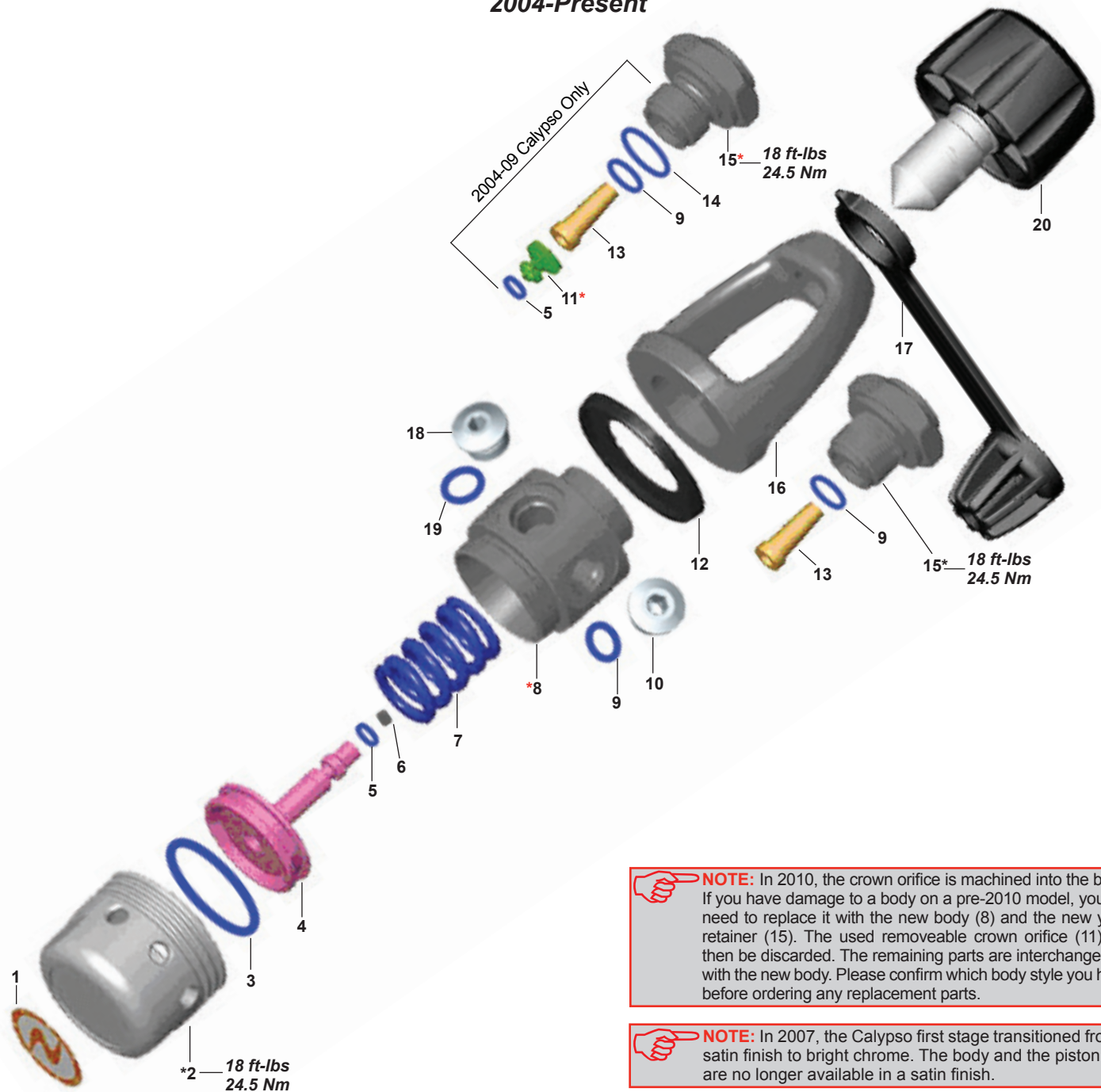
**NOTE:** In 2013, there was a change to the Titan body. If replacing one of the following parts (10,25,30) it's very important to refer to Technical Bulletin #38 Jan 1, 2013 for more information.

Key #	Part #	Description
12	820038P	O-ring (20 pk)
13	105940	HP Seat
14	122244	Spring
15	820080P	O-ring (25 pk)
16	119129	Back-up Ring
17	824407P	O-ring (20 pk)
18	129120	Plug
19	128124	Protector, Body, (2-HP Ports)
	128111	Protector, Body, (1-HP Port)
20	820072P	O-ring (20 pk)
21	103137	Plug, HP Port, 7/16"
22	820011P	O-ring (25 pk)
23	103133	Plug, MP Port, 3/8"
24	129151	Filter
25	129252	Inlet Fitting, 2013
	128633	Inlet Fitting
26	124611	Yoke
27	124555	Dust Cap
28	128631	Yoke Screw
29	128632	DIN Handwheel
30	129251	DIN Fitting, 2013
	127801	DIN Fitting
31	820094P	O-ring (20 pk)
32	124665	DIN Cap

Key #	Part #	Description
----	<b>900014</b>	<b>Overhaul Parts Kit, (Yoke and DIN)</b>
----	128205	First Stage, Titan, Yoke
----	129022	DIN Adapter Kit, (2013>)
----	128545	DIN Adapter Kit, (2010-12)
----	129946	DIN ACD Conversion Kit, Core/Titan
----	128142	DIN ACD Conversion Kit (2010-12)
----	128143	Supreme/Dry Kit
1	128634	Retainer Cover
2	128117	Adjustment Screw
3	<b>127568</b>	<b>Washer</b>
4	127567	Spring
5	127565	Spring Pad
6	128113	Spring Retainer
7	<b>119159</b>	<b>Diaphragm</b>
8	127563	Pin Support
9	127564	Pin
10	129254	Body, 2013
	<b>NLA</b>	Pre 2013 Body, w/2-HP Ports
	<b>NLA</b>	Pre 2013 Body, w/1-HP Port
11	127585	Crown

Part numbers in **BOLD ITALICS** indicate standard overhaul replacement part

## Calypso Series 2004-Present



**NOTE:** In 2010, the crown orifice is machined into the body. If you have damage to a body on a pre-2010 model, you will need to replace it with the new body (8) and the new yoke retainer (15). The used removeable crown orifice (11) will then be discarded. The remaining parts are interchangeable with the new body. Please confirm which body style you have before ordering any replacement parts.

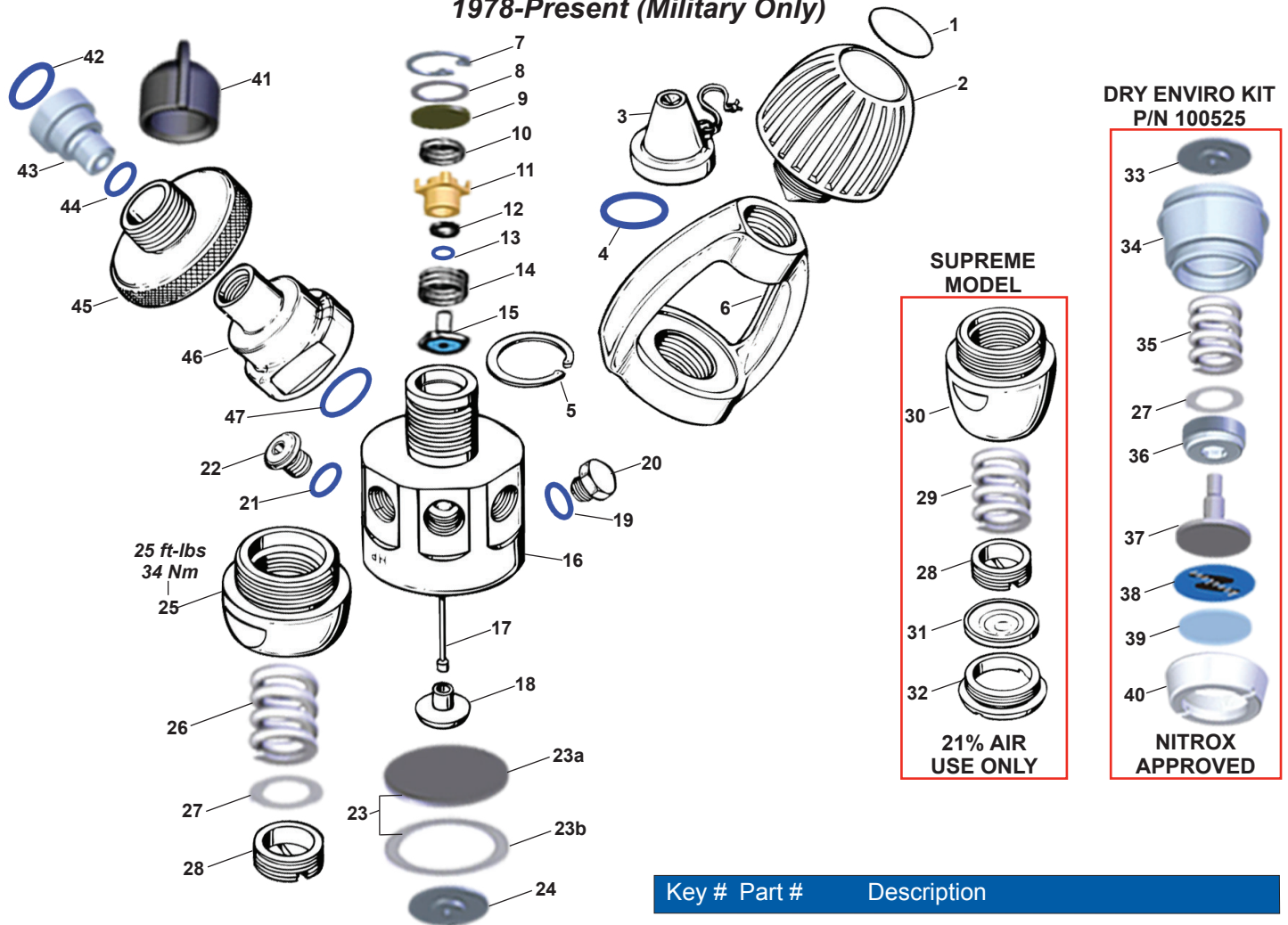
**NOTE:** In 2007, the Calypso first stage transitioned from a satin finish to bright chrome. The body and the piston cap are no longer available in a satin finish.

Key #	Part #	Description
-----	<b>900015</b>	<b>Overhaul Parts Kit</b>
-----	128705	First Stage, Calypso, Yoke
1----	128657	Decal, Aqua Lung logo, Orange
-----	125713	Decal, Aqua Lung logo
2----	125712	Piston cap, chrome
<b>3----</b>	<b>820062P</b>	<b>O-ring (10 pk)</b>
4----	125717	Piston
<b>5----</b>	<b>820007P</b>	<b>O-ring (20 pk)</b>
<b>6----</b>	<b>106726</b>	<b>HP seat</b>
7----	106771	Spring
8----	128658	Body, 2010 Calypso, chrome
-----	<b>NLA</b>	Pre 2010 Body
<b>9----</b>	<b>820011P</b>	<b>O-ring (25 pk)</b>

Key #	Part #	Description
10----	103133	Plug, MP Port, 3/8 inch
11----	106767	Crown orifice (only used on pre-2010 model)
12----	125710	Yoke washer, 2004-2016
<b>13----</b>	<b>129151</b>	<b>Filter</b>
<b>14----</b>	<b>820015P</b>	<b>O-ring (10 pk)</b>
15----	128653	Inlet fitting, 2010 Calypso
-----	<b>NLA</b>	Inlet fitting, pre-2010
16----	106843	Yoke, satin
-----	124611	Yoke, bright Chrome
17----	124555	Dust cap, 2004-2016
18----	103137	Plug, HP Port, 7/16 inch
<b>19----</b>	<b>957004P</b>	<b>O-ring (25 pk)</b>
20----	128631	Yoke screw
-----	107508	Yoke screw, green, Nitrox, O <sub>2</sub>

Part numbers in **BOLD ITALICS** are included in the service kit

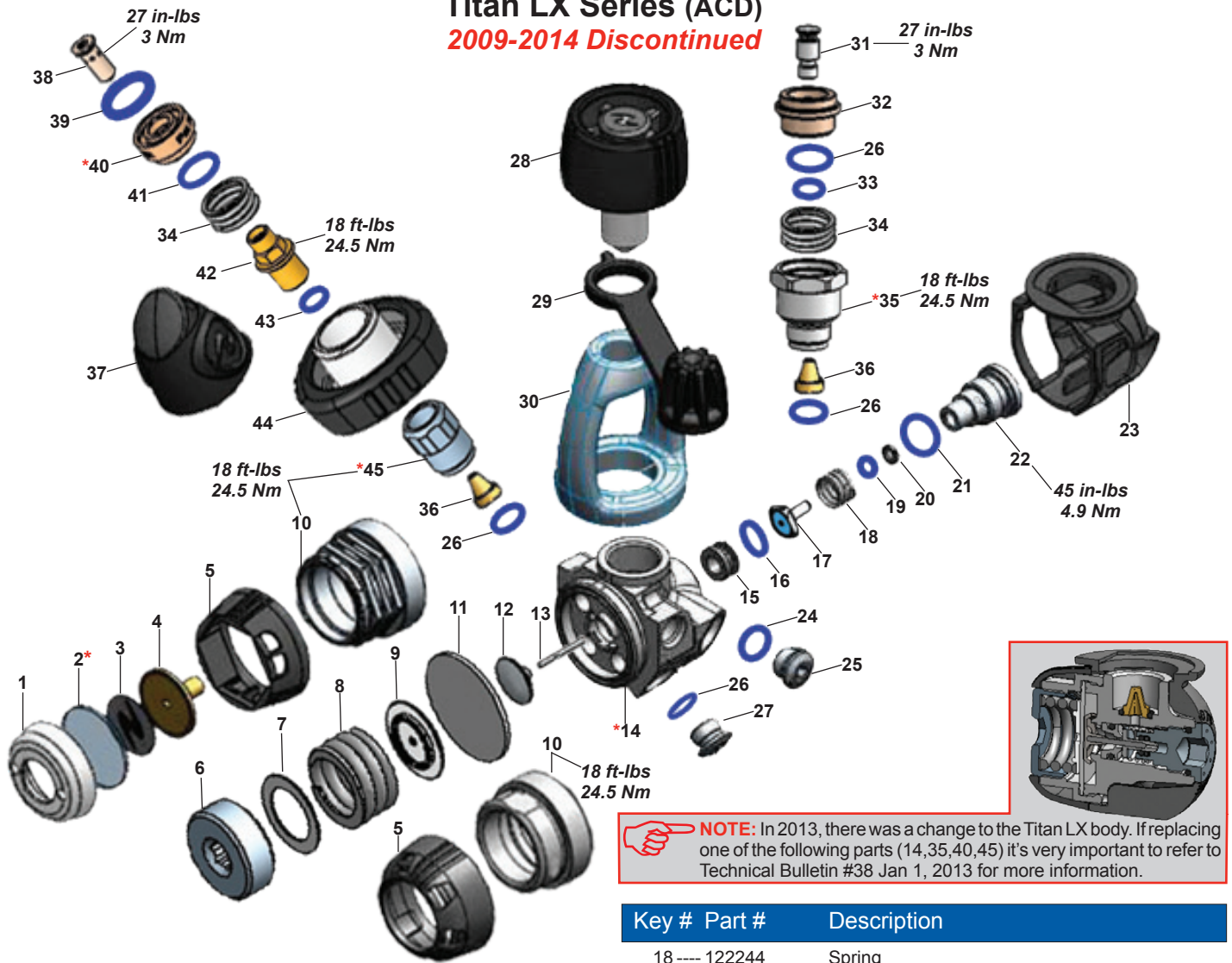
## Conshelf XIV Series 1978-Present (Military Only)



Key #	Part #	Description
-----	<b>105994</b>	<b>Military Service Kit (Air 21% only)</b>
-----	<b>108595</b>	<b>Military Service Kit (Nitrox to 40%)</b>
-----	<b>900001</b>	<b>Overhaul Parts Kit (non-Military)</b>
-----	107700	First Stage, Conshelf XIV
-----	108810	First Stage, Conshelf XIV Supreme
1----	108185	Decal
2----	107506	Yoke Screw
3----	101012	Dust Cap
<b>4----</b>	<b>820120P</b>	<b>O-ring (10 pk)</b>
5----	861068	Retaining Ring
6----	700418	Yoke
<b>7----</b>	<b>863051</b>	<b>Retaining Ring</b>
8----	124628	Washer, Stainless
<b>9----</b>	<b>105106</b>	<b>Filter</b>
10----	104613	Spring
11----	105324	Balance Chamber
<b>12----</b>	<b>119129</b>	<b>Back-up Ring, Black, Non-Split</b>
-----	<b>828005</b>	<b>Back-up Ring, White, Split, Military Only</b>
<b>13----</b>	<b>820080P</b>	<b>O-ring (25 pk)</b>
14----	101504	Spring
<b>15----</b>	<b>105940</b>	<b>HP Seat</b>
-----	<b>M105320</b>	<b>HP Seat, Military Only</b>
16----	105333	Body, Conshelf XIV, 5-port
17----	105323	Pin
18----	101727	Pin Support
<b>19----</b>	<b>820011P</b>	<b>O-ring (3/8" Port) (25 pk)</b>
20----	910912	Plug, MP Port, 3/8 inch
N/S----	104304	Plug, MP Port, 3/8 inch
<b>21----</b>	<b>957004P</b>	<b>O-ring (7/16" HP Port) (25 pk)</b>
22----	103137	Plug, HP Port, 7/16 inch

Key #	Part #	Description
N/S----	910912	Plug, HP Port, 3/8 inch, Con XIV, pre-1998
<b>23----</b>	<b>103425</b>	<b>Diaphragm, Grey, w/Thrust Washer</b>
<b>23a----</b>	<b>103429</b>	<b>Diaphragm, Black, Military</b>
<b>23b----</b>	<b>821026</b>	<b>Thrust Washer, Military</b>
24----	101728	Spring Pad
25----	105326	Spring Retainer
26----	105327	Spring
27----	845097	Washer, Main Spring (non-oil filled only)
28----	101549	Adjustment Screw
<b>Supreme Models (21% Air use only)</b>		
29----	105944	Spring (Supreme only)
30----	108851	Spring Retainer, Supreme
<b>31----</b>	<b>108853</b>	<b>Secondary Diaphragm, Supreme</b>
32----	108854	Diaphragm Retainer, Supreme
<b>N/S----</b>	<b>108855</b>	<b>Silicone Fluid, 2 oz., Military Only</b>
<b>N/S----</b>	<b>108865</b>	<b>Silicone Fluid, 2 oz.</b>
<b>100525 Dry Environmental Kit (Nitrox Approved)</b>		
33----	124560	Spring Pad
34----	106317	Spring Retainer
35----	106356	Spring
36----	106026	Adjustment Screw
37----	106319	Piston
38----	106338	Decal
<b>39----</b>	<b>106337</b>	<b>External Diaphragm*</b> (Not included in 900001)
40----	106318	Diaphragm Retainer
<b>107455 DIN Adapter Kit</b>		
41----	124665	Protector Cap, DIN Connector
<b>42----</b>	<b>820094P</b>	<b>O-ring (20 pk)</b>
43----	106056	Handwheel Retainer, Conshelf
<b>44----</b>	<b>820039P</b>	<b>O-ring (10 pk)</b>
45----	108652	Handwheel, Conshelf, 300 BAR
46----	106057	DIN Adapter, Conshelf
<b>47----</b>	<b>824407P</b>	<b>O-ring (20 pk)</b>

**Titan LX Series (ACD)**  
**2009-2014 Discontinued**



**NOTE:** In 2013, there was a change to the Titan LX body. If replacing one of the following parts (14,35,40,45) it's very important to refer to Technical Bulletin #38 Jan 1, 2013 for more information.

Key #	Part #	Description
-----	<b>900018</b>	<b>Overhaul Parts Kit, (Yoke and DIN)</b>
-----	129946	DIN Adapter Kit, ACD (2013>)
-----	128142	DIN Adapter Kit, ACD (<2012)
-----	128143	Supreme/Dry Kit, Titan LX
1	128123	Diaphragm Retainer
<b>2</b>	<b>127579</b>	<b>Diaphragm, Secondary*</b> (Not included in 900018)
3	125713	Decal, Aqua Lung Logo
4	127581	Piston
5	128122	Retainer Cover, Supreme
-----	128121	Retainer Cover
6	127566	Adjustment Screw, Supreme
-----	128117	Adjustment Screw
<b>7</b>	<b>127568</b>	<b>Washer</b>
8	127567	Spring
9	127565	Spring Pad
10	128115	Diaphragm Clamp, Supreme
-----	128113	Diaphragm Clamp
<b>11</b>	<b>119159</b>	<b>Diaphragm</b>
12	127563	Pin Support
13	127564	Pin
14	129254	Body, 2013
-----	<b>NLA</b>	Pre 2013 Body, w/2-HP Ports
-----	<b>NLA</b>	Pre 2013 Body, w/1-HP Port
15	127585	Crown
<b>16</b>	<b>820038P</b>	<b>O-ring (20 pk)</b>
<b>17</b>	<b>105940</b>	<b>HP Seat</b>

Key #	Part #	Description
18	122244	Spring
<b>19</b>	<b>820080P</b>	<b>O-ring (25 pk)</b>
<b>20</b>	<b>119129</b>	<b>Back-up Ring</b>
<b>21</b>	<b>824407P</b>	<b>O-ring (20 pk)</b>
22	129120	Plug
23	128111	Protector, Body
-----	128124	Protector, Body,(2-HP Ports)
<b>24</b>	<b>820072P</b>	<b>O-ring (20 pk)</b>
25	103137	Plug, HP Port, 7/16"
<b>26</b>	<b>820011P</b>	<b>O-ring (25 pk)</b>
27	103133	Plug, MP Port, 3/8"
28	127574	Yoke Screw
29	124555	Dust Cap
30	124611	Yoke
31	129207	Yoke Valve
32	129205	Yoke Crown
<b>33</b>	<b>820009P</b>	<b>O-ring (10 pk)</b>
34	129204	Spring
35	129242	Yoke Retainer, 2013
-----	129212	Yoke Retainer
<b>36</b>	<b>129209</b>	<b>Filter</b>
37	129216	DIN ACD Cap
38	129202	DIN Shutter Valve
<b>39</b>	<b>820094P</b>	<b>O-ring (20 pk)</b>
40	129243	DIN Shutter crown, 2013
-----	129203	DIN Shutter crown
<b>41</b>	<b>820322P</b>	<b>O-ring ((10 pk)</b>
42	129213	DIN Screw
<b>43</b>	<b>820010P</b>	<b>O-ring (25 pk)</b>
44	128119	DIN Handwheel
45	129241	DIN Union, 2013
-----	129214	DIN Filter Holder

Part numbers in **BOLD ITALICS** indicate standard overhaul replacement part

**Legend Series**  
**2002-2013 Discontinued**

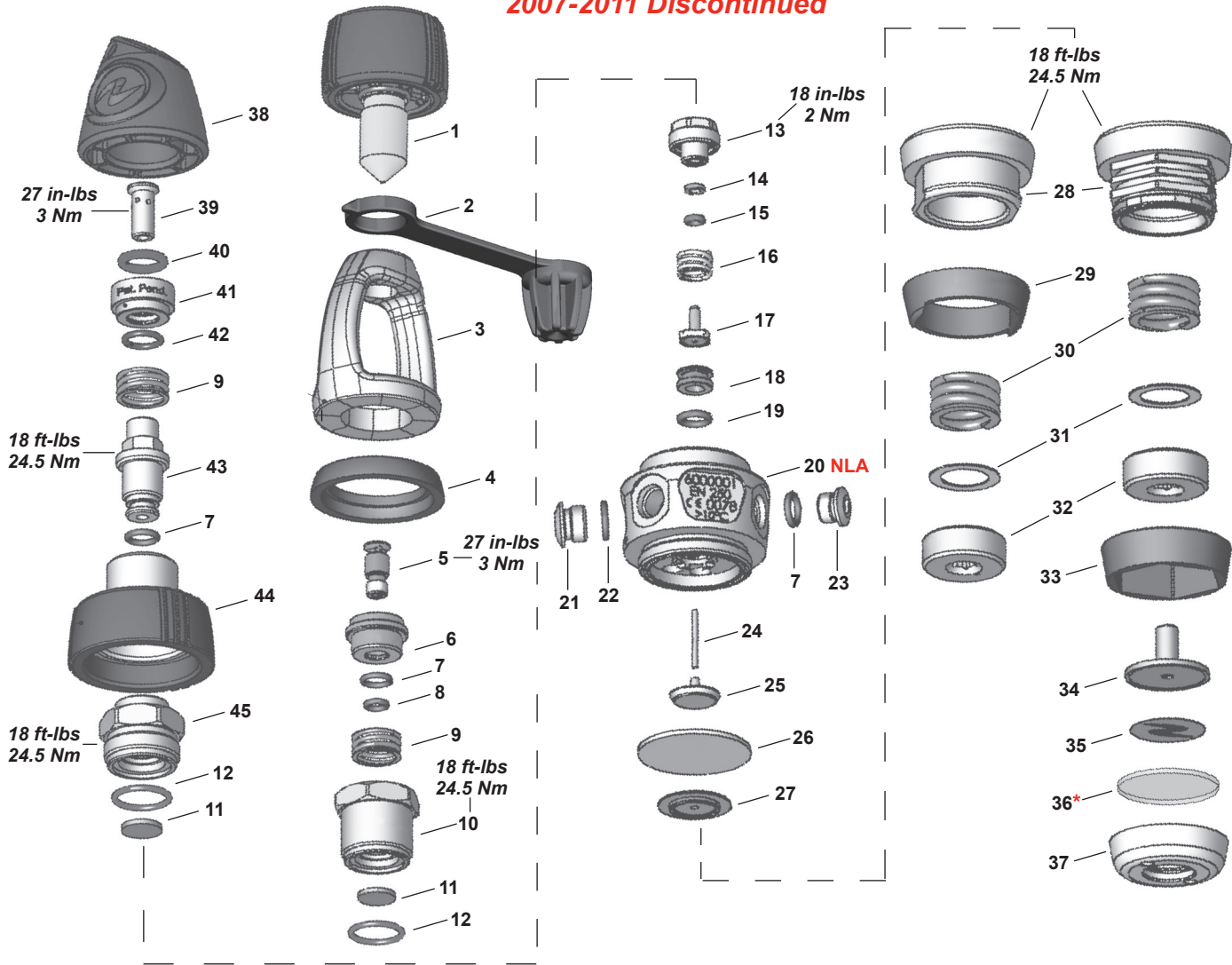


Key #	Part #	Description
-----	<b>900017</b>	<b>Overhaul Parts Kit ACD (Yoke and DIN)</b>
-----	<b>900014</b>	<b>Overhaul Parts Kit non-ACD (Yoke and DIN)</b>
-----	129226	ACD Conversion Kit, Yoke (use original yoke & yoke screw)
-----	129227	ACD Conversion Kit, DIN
1 ----	129196	Cap, Chrome
-----	129349	Cap, Glacia
2 ----	129126	Diaphragm, Secondary
3 ----	129123	Piston
4 ----	129127	Ribbed Washer, Legend/Leg Supreme
5 ----	129128	Spacer, Legend/Leg Supreme
6 ----	106026	Adjustment Screw
7 ----	845097	Washer
8 ----	129122	Diaphragm Clamp
-----	129341	Diaphragm Clamp, Glacia
9 ----	106356	Main Spring
10 ----	124560	Spring Pad
<b>11 ----</b>	<b>103425</b>	<b>Diaphragm Kit (includes 19a &amp; 19b)</b>
12 ----	129121	Pin Support
13 ----	102002	Pin
14 ----	<b>NLA</b>	Body
15 ----	127585	Crown
<b>16 ----</b>	<b>820038P</b>	<b>O-ring (20 pk)</b>
<b>17 ----</b>	<b>105940</b>	<b>HP Seat</b>
18 ----	122244	Spring
<b>19 ----</b>	<b>820080P</b>	<b>O-ring (25 pk)</b>
<b>20 ----</b>	<b>119129</b>	<b>Backup ring</b>

Key #	Part #	Description
<b>21 ----</b>	<b>824407P</b>	<b>O-ring (20 pk)</b>
22 ----	129120	HP Plug
23 ----	129112	Protective Cover
24 ----	129119	Plug, MP Port, 3/8 inch
<b>25 ----</b>	<b>820011P</b>	<b>O-ring (25 pk)</b>
26 ----	129118	Plug, HP Port, 7/16 inch
<b>27 ----</b>	<b>820072P</b>	<b>O-ring, HP Port,(20-pk)</b>
<b>28 ----</b>	<b>129209</b>	<b>Filter, ACD</b>
29 ----	129212	Yoke Retainer, ACD
30 ----	129204	Spring, ACD
<b>31 ----</b>	<b>820009P</b>	<b>O-ring (10 pk)</b>
32 ----	129205	Yoke Crown, ACD
33 ----	129207	Yoke Valve, ACD
34 ----	124611	Yoke, Chrome
35 ----	124555	Dust Cap
36 ----	128631	Yoke Screw
37 ----	129214	DIN Filter Holder
38 ----	128119	DIN Handwheel, ACD
<b>39 ----</b>	<b>820010P</b>	<b>O-ring (25 pk)</b>
40 ----	129213	DIN Screw, ACD
<b>41 ----</b>	<b>820322P</b>	<b>O-ring (10 pk)</b>
42 ----	129203	DIN Shutter Crown, ACD
<b>43 ----</b>	<b>820094P</b>	<b>O-ring (20 pk)</b>
44 ----	129202	DIN Shutter Valve, ACD
45 ----	129216	DIN Cap, ACD
<b>46 ----</b>	<b>129151</b>	<b>Filter (non-ACD)</b>
47 ----	129124	Inlet Fitting (non-ACD)
48 ----	129149	Shield (non-ACD)
49 ----	863051	C-Clip (non-ACD)
50 ----	129117	DIN Handwheel (non-ACD)
51 ----	129125	DIN Fitting (non-ACD)
52 ----	124665	DIN Cap (non-ACD)

Part numbers in **BOLD ITALICS** indicate standard overhaul replacement part

**Kronos Series**  
**2007-2011 Discontinued**



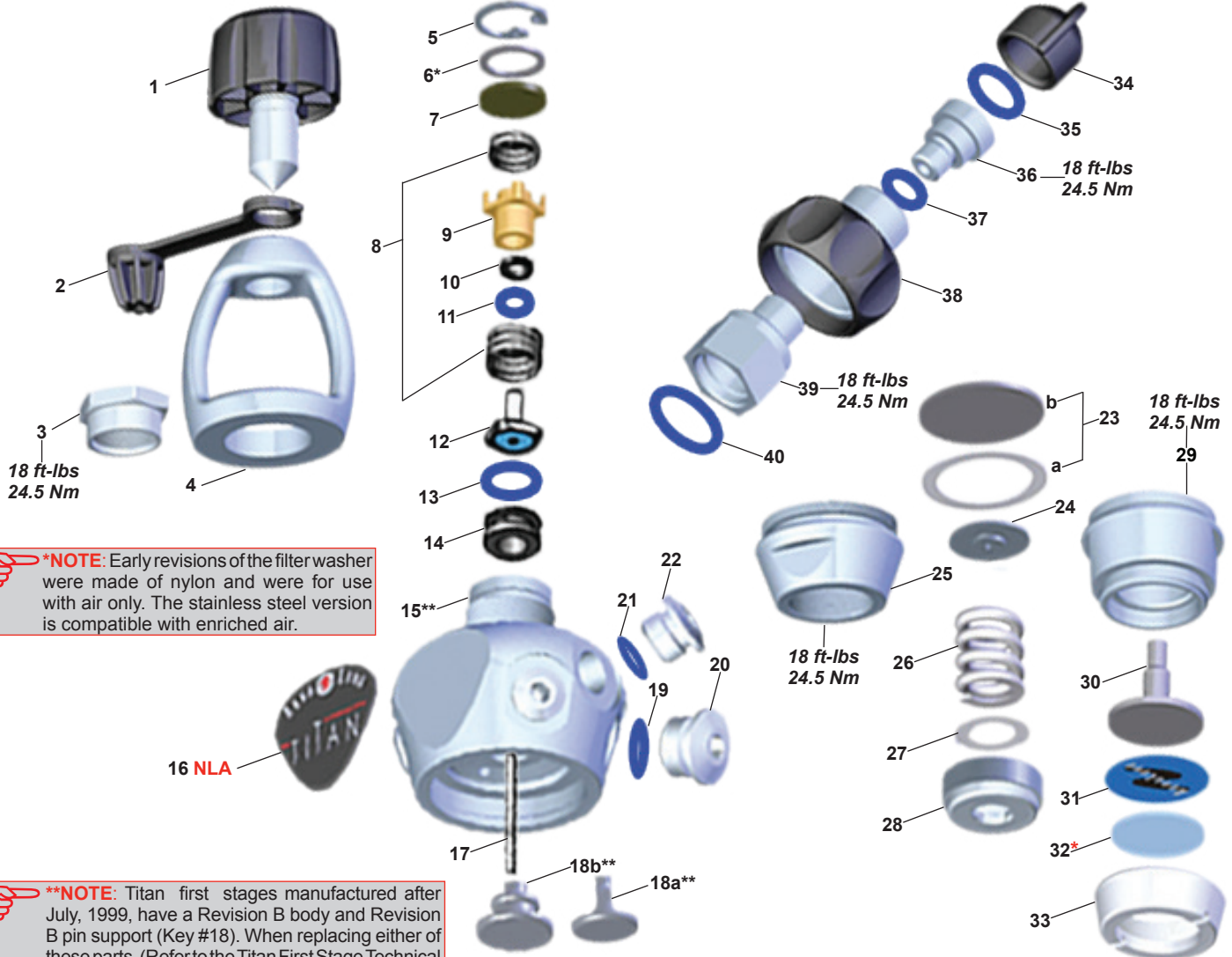
Key #	Part #	Description
-----	<b>900018</b>	<b>Overhaul Parts Kit (Yoke and DIN)</b>
1----	127574	Yoke Screw
2----	124555	Dust Cap
3----	106843	Yoke
4----	127575	Yoke Ring
5----	129207	Yoke Valve
6----	129205	Yoke Crown
7----	<b>820011P</b>	<b>O-ring (25 pk)</b>
8----	<b>820009P</b>	<b>O-ring (10 pk)</b>
9----	129204	Spring
10----	127576	Yoke Retainer
11----	<b>105106</b>	<b>Filter</b>
12----	<b>820016P</b>	<b>O-ring (10 pk)</b>
13----	127562	Balance Chamber
14----	<b>119129</b>	<b>Back-up Ring</b>
15----	<b>820080P</b>	<b>O-ring (25 PK)</b>
16----	122244	Spring
17----	<b>105940</b>	<b>HP Seat</b>
18----	127585	Crown
19----	<b>820038P</b>	<b>O-ring (20 pk)</b>
20----	<b>NLA</b>	<b>Body, Kronos</b>
----	<b>NLA</b>	<b>Body, Kronos Supreme</b>
21----	103137	Plug, HP Port, 7/16 inch
22----	<b>820072P</b>	<b>O-ring (20 pk)</b>

Key #	Part #	Description
23----	103133	Plug, MP Port, 3/8 inch
24----	127564	Pin
25----	127563	Pin Support
26----	<b>119159</b>	<b>Diaphragm</b>
27----	127565	Spring Pad
28----	127583	Spring Retainer
----	127577	Spring Retainer, Dry
29----	127586	Washer, Std Retainer
30----	127567	Spring
31----	<b>127568</b>	<b>Washer</b>
32----	127566	Adjustment Screw
33----	127587	Washer, Dry Retainer
34----	127581	Piston
35----	125713	Decal, Aqua Lung Logo
36----	<b>127579</b>	<b>Diaphragm, Secondary*</b> (Not included in 900018)
37----	127582	Diaphragm Retainer
38----	129216	DIN ACD Cap
39----	129202	DIN Shutter Valve
40----	<b>820094P</b>	<b>O-ring (20 pk)</b>
41----	129203	DIN Shutter Crown
42----	<b>820322P</b>	<b>O-ring (10 pk)</b>
43----	127573	DIN Screw
44----	127571	DIN Handwheel
45----	127572	Filter Holder

Part numbers in **BOLD ITALICS** indicate standard overhaul replacement part

# Titan Series

1999-2008 Discontinued



**\*NOTE:** Early revisions of the filter washer were made of nylon and were for use with air only. The stainless steel version is compatible with enriched air.

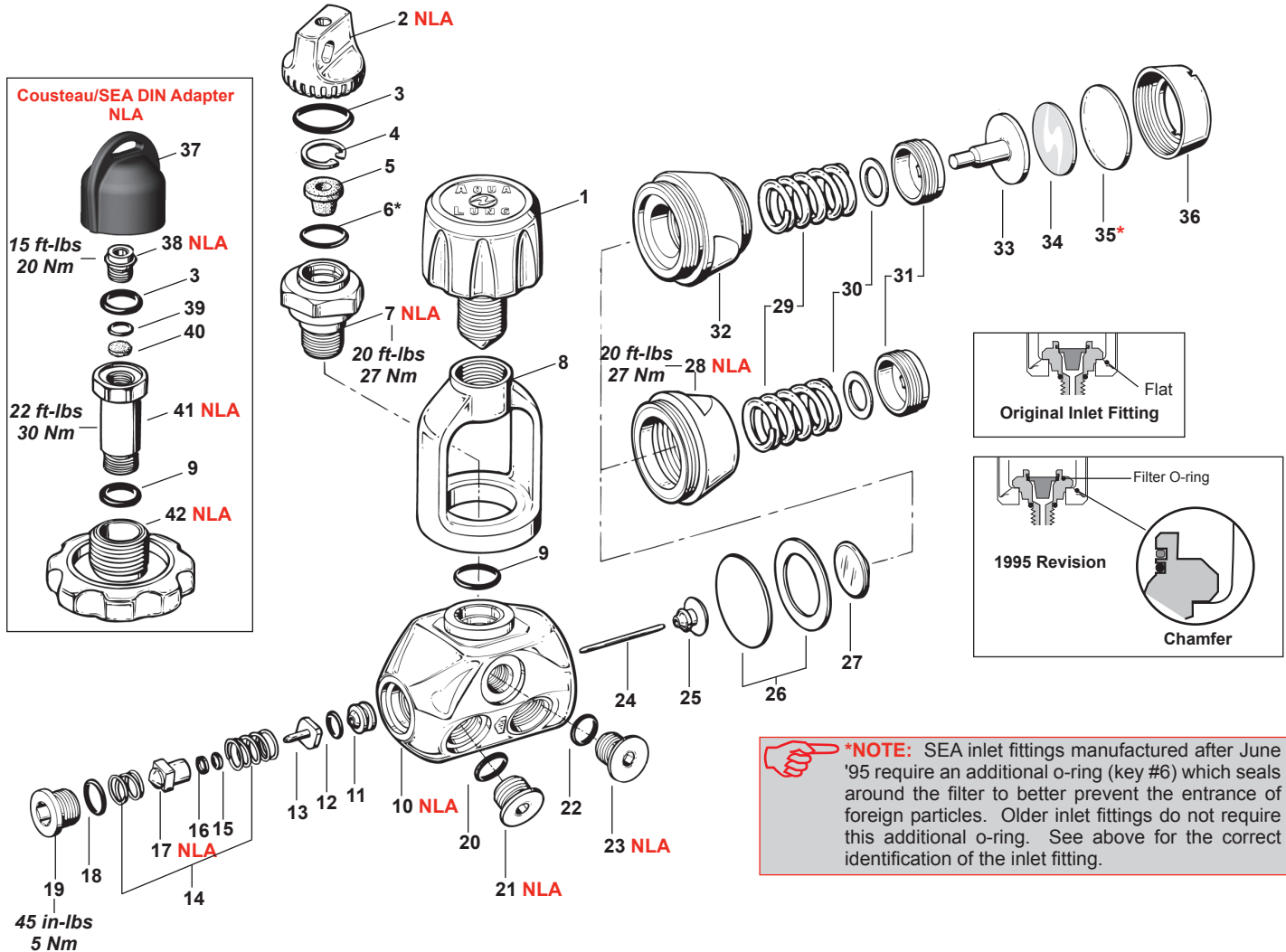
**\*\*NOTE:** Titan first stages manufactured after July, 1999, have a Revision B body and Revision B pin support (Key #18). When replacing either of these parts, (Refer to the Titan First Stage Technical Maintenance Manual)

Key #	Part #	Description
-----	<b>900001</b>	<b>Overhaul Parts Kit</b>
1----	128631	Yoke Screw
2----	124555	Dust Cap
3----	103162	Yoke Retainer
4----	106843	Yoke
5----	<b>863051</b>	<b>Circlip</b>
6----	124628	Washer, Stainless (see *NOTE)
7----	<b>105106</b>	<b>Filter</b>
8----	101509	Spring Kit (includes both springs)
9----	105324	Balance Chamber
10----	<b>119129</b>	<b>Backup Ring</b>
11----	<b>820080P</b>	<b>O-ring (25 pk)</b>
12----	<b>105940</b>	<b>HP Seat</b>
13----	<b>820038P</b>	<b>O-ring (20 pk)</b>
14----	127585	Crown
15----	103101	Body, Rev. B (see **NOTE)
16----	<b>NLA</b>	Decal, Titan
17----	102002	Pin
18a----	106022	Pin Support, Rev. A (see **NOTE)
18b----	101569	Pin Support Rev. B (see **NOTE)
19----	<b>957004P</b>	<b>O-ring (7/16" HP Port) (25 pk)</b>
20----	103137	Plug, HP Port, 7/16 inch
21----	<b>820011P</b>	<b>O-ring (3/8" Port) (25 pk)</b>

Key #	Part #	Description
22----	103133	Plug, MP Port, 3/8 inch
23----	<b>103425</b>	<b>Diaphragm Kit (includes 23a &amp; 23b)</b>
24----	124560	Spring Pad
25----	103104	Spring Retainer
26----	106356	Spring
27----	845097	Washer
28----	106026	Adjustment Screw
-----		<b>Used with "Dry" Environmental Kit</b>
-----	100525	Dry Environmental Kit, Complete
29----	106317	Spring Retainer
30----	106319	Piston
31----	106338	Decal
32----	<b>106337</b>	<b>Diaphragm, External*</b> (Not included in 900001)
33----	106318	Diaphragm Retainer
-----		<b>Titan DIN Adapter</b>
-----	103172	DIN Adapter Kit, Titan
34----	124665	Protector Cap, DIN Connector
35----	<b>820094P</b>	<b>O-ring (20 pk)</b>
36----	106056	Handwheel Retainer
37----	<b>820072P</b>	<b>O-ring (20 pk)</b>
38----	103176	Handwheel
39----	103174	DIN Adapter
40----	<b>820017P</b>	<b>O-ring (10 pk)</b>

Part numbers in **BOLD ITALICS** indicate standard overhaul replacement part

**Cousteau • SEA**  
**1989-2005 Discontinued**



**\*NOTE:** SEA inlet fittings manufactured after June '95 require an additional o-ring (key #6) which seals around the filter to better prevent the entrance of foreign particles. Older inlet fittings do not require this additional o-ring. See above for the correct identification of the inlet fitting.

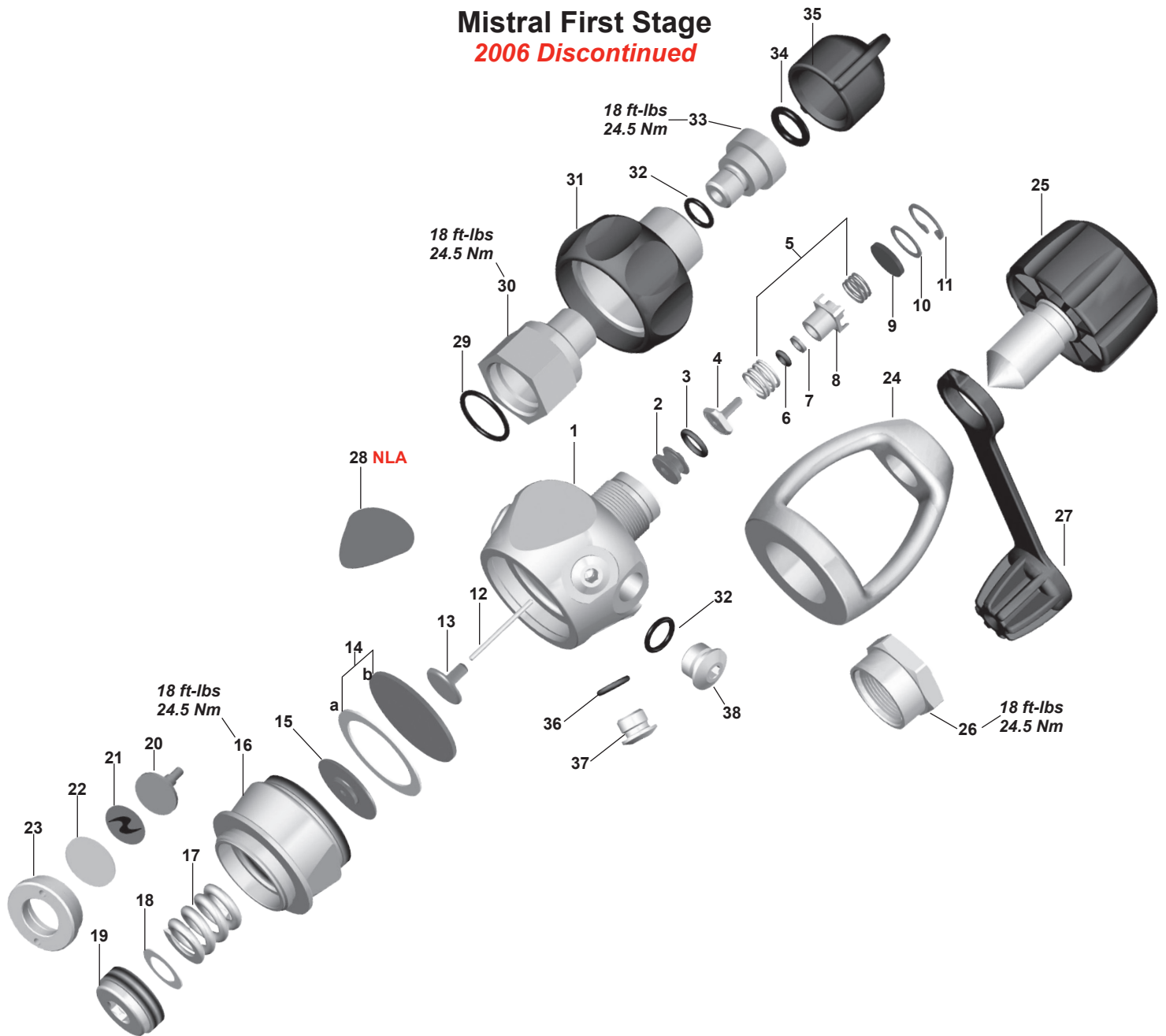
Key #	Part #	Description
-----	<b>900000</b>	<b>Overhaul Parts Kit</b>
-----	100525	Dry Environmental Kit, Complete
1----	128631	Yoke Screw
2----	<b>NLA</b>	Dust Cap
3----	<b>820094P</b>	<b>O-ring (20 pk)</b>
4----	863051	Circlip
5----	<b>106839</b>	<b>Filter</b>
6----	<b>820014P</b>	<b>O-ring (25 pk)</b>
7----	<b>NLA</b>	Inlet Fitting
8----	124611	Yoke
9----	<b>820013P</b>	<b>O-ring (10 pk)</b>
10----	<b>NLA</b>	Body
11----	127585	Crown
12----	<b>820038P</b>	<b>O-ring (20 pk)</b>
13----	<b>105940</b>	<b>HP Seat</b>
14----	101509	Spring Kit (includes both springs)
15----	<b>820080P</b>	<b>O-ring (25 pk)</b>
16----	<b>119129</b>	<b>Backup Ring</b>
17----	<b>NLA</b>	Balance Chamber
18----	<b>824407P</b>	<b>O-ring (20 pk)</b>
19----	106327	End Plug
20----	<b>957004P</b>	<b>O-ring (25 pk)</b>

Key #	Part #	Description
21----	<b>NLA</b>	Plug, HP Port, 7/16 inch
22----	<b>820011P</b>	<b>O-ring (25 pk)</b>
23----	<b>NLA</b>	Plug, MP Port, 3/8 inch
24----	106323	Pin
25----	106022	Pin Support
26----	<b>103425</b>	<b>Diaphragm w/ Thrust Washer</b>
27----	124560	Spring Pad
28----	<b>NLA</b>	Spring Retainer
29----	106356	Spring
30----	845097	Washer
31----	106026	Adjustment Screw
32----	106317	Spring Retainer, Dry
33----	106319	Piston
34----	106338	Decal
35----	106337	External Diaphragm* <i>(Not included in 900000)</i>
36----	106318	Diaphragm Retainer
37----	124665	Protector Cap, DIN Connector
38----	<b>NLA</b>	Filter Retainer
39----	<b>820010P</b>	<b>O-ring (pre-1999 models only) (25 pk)</b>
40----	<b>106326</b>	<b>Filter</b>
41----	<b>NLA</b>	Inlet Fitting
42----	<b>NLA</b>	Handwheel

Part numbers in **BOLD ITALICS** indicate standard overhaul replacement part

## Mistral First Stage

*2006 Discontinued*



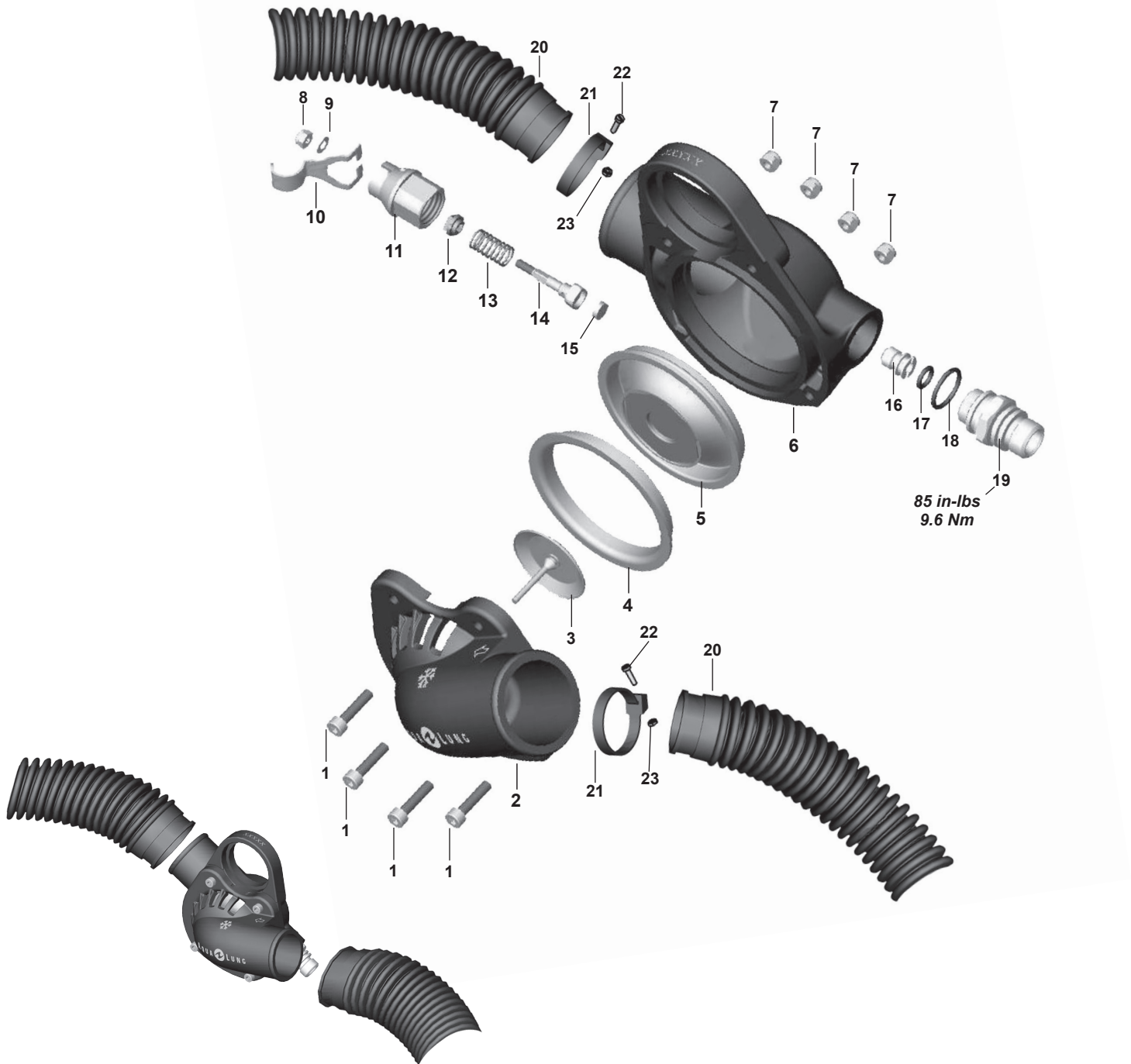
Key #	Part #	Description
-----	<b>900016</b>	<b>Overhaul Parts Kit, Entire Mistral</b>
1-----	103101	Body
2-----	127585	Crown
3-----	<b>820038P</b>	<b>O-ring (20 pk)</b>
4-----	<b>105940</b>	<b>HP Seat</b>
5-----	<b>101509</b>	<b>Spring Kit (includes both springs)</b>
6-----	<b>820080P</b>	<b>O-ring (25 pk)</b>
7-----	<b>119129</b>	<b>Backup Ring</b>
8-----	105324	Spring Block
9-----	<b>105106</b>	<b>Filter</b>
10-----	124628	Filter Washer
11-----	<b>863051</b>	<b>Circlip</b>
12-----	102002	Pin
13-----	101569	Pin Support
14-----	<b>103425</b>	<b>Diaphragm Kit (includes 14a &amp; 14b)</b>
15-----	124560	Spring Pad
16-----	125923	Spring Retainer
17-----	106356	Spring
18-----	<b>845097</b>	<b>Washer</b>

Key #	Part #	Description
19-----	106026	Adjustment Screw
20-----	106319	Piston
21-----	125713	Aqua Lung Logo Decal
22-----	<b>106337</b>	<b>Diaphragm</b>
23-----	125924	Diaphragm Retainer
24-----	106843	Yoke
25-----	128631	Yoke Screw
26-----	103162	Yoke Retainer
27-----	124555	Dust Cap
28-----	<b>NLA</b>	<b>Mistral Decal</b>
29-----	<b>820017P</b>	<b>O-ring (10 pk)</b>
30-----	103174	DIN Adapter
31-----	103176	Handwheel
32-----	<b>820072P</b>	<b>O-ring (20 pk)</b>
33-----	106056	Handwheel Retainer
34-----	<b>820094P</b>	<b>O-ring (20 pk)</b>
35-----	124665	DIN Cap
36-----	<b>820011P</b>	<b>O-ring (25 pk)</b>
37-----	103133	Plug, MP Port, 3/8"
38-----	103137	Plug, HP Port, 7/16"

Part numbers in **BOLD ITALICS** are included in the service kit

## Mistral Second Stage

*2006 Discontinued*

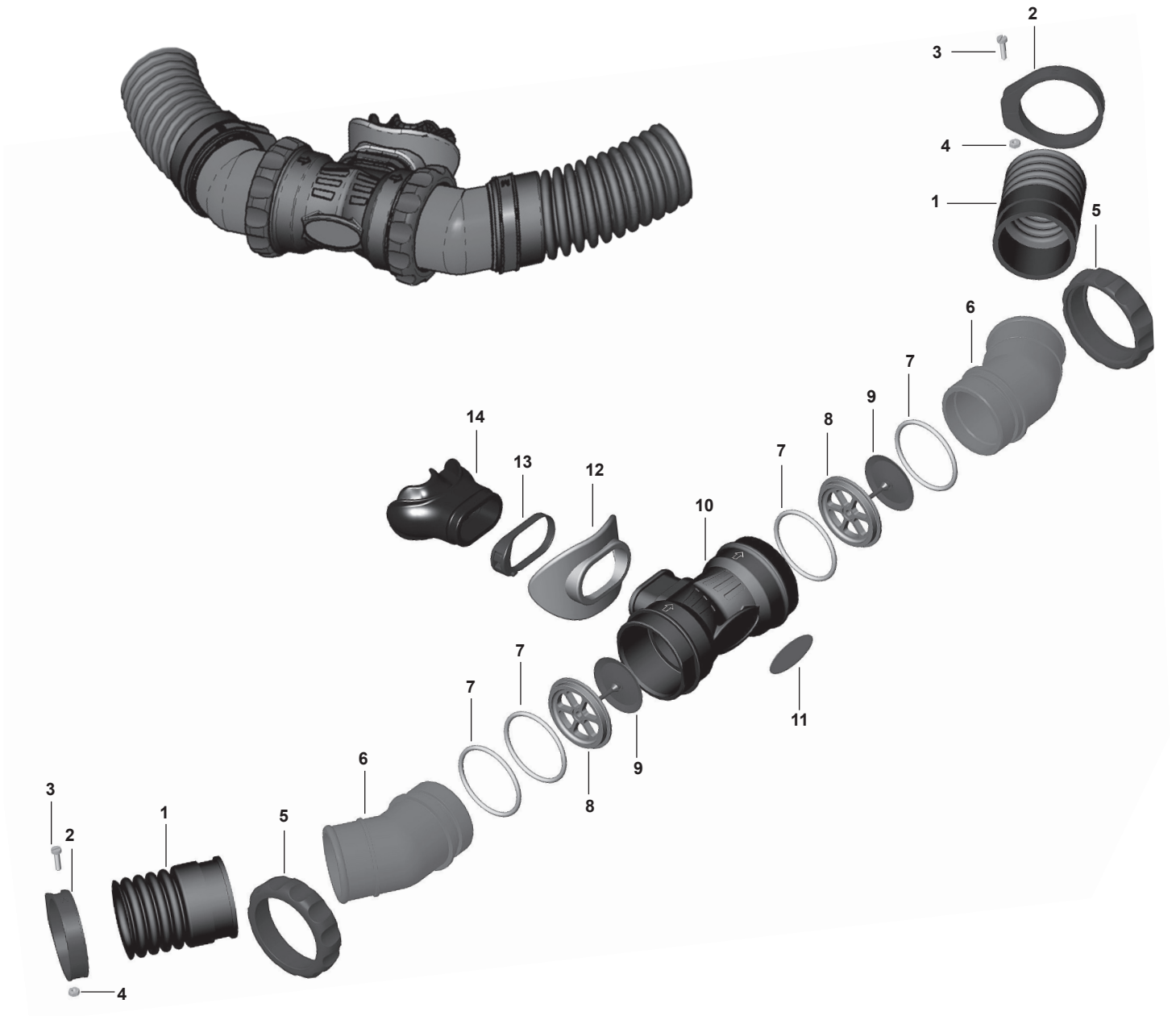


Key #	Part #	Description	Key #	Part #	Description
-----	<b>900016</b>	<b>Overhaul Parts Kit, Entire Mistral</b>	13	104127	Spring
1	125929	Screw, caphead (1-ea)	14	104122	Poppet
2	125935	Exhalation box	<b>15</b>	<b>106738</b>	<b>MP seat</b>
3	129174	Exhaust valve	16	100128	Crown orifice
4	124509	Sealing ring	<b>17</b>	<b>820010P</b>	<b>O-ring (25 pk)</b>
5	125705	Diaphragm	<b>18</b>	<b>820015P</b>	<b>O-ring (10 pk)</b>
6	125937	Inhalation box	19	104106	Inlet fitting
<b>7</b>	<b>125928</b>	<b>Locknut (1-ea)</b>	20	125930	Corrugated hose
<b>8</b>	<b>102510</b>	<b>Locknut</b>	21	125958	Clamping band "R"
9	104129	Washer	22	125975	Screw
10	125708	Lever	23	125976	Nut
11	125931	Valve insert	N/S	125932	Mistral MP hose (630 mm)
<b>12</b>	<b>104134</b>	<b>Poppet bearing</b>	-----	125934	Mistral MP hose (245 mm)

Part numbers in **BOLD ITALICS** are included in the service kit

# Mistral Mouthpiece

*2006 Discontinued*



Key #	Part #	Description
-----	<b>900016</b>	<b>Overhaul Parts Kit, Entire Mistral</b>
1----	125930	Corrugated hose
2----	125939	Clamping band "M"
3----	125975	Screw
4----	125976	Nut
5----	125914	Connector ring
6----	125979	Connector, angled
<b>7----</b>	<b>125915</b>	<b>O-ring</b>
8----	125912	Mouthpiece valve support
9----	125925	Inhale-Exhale valve
10----	125918	Mouthpiece body
11----	125916	Mouthpiece decal
12----	109512	Lip shield
13----	129154	Mouthpiece clamp
14----	109438	Comfobite mouthpiece

Part numbers in **BOLD ITALICS** are included in the service kit

## Legend LX Series 2012-Present



Key #	Part #	Description	Key #	Part #	Description
----	<b>900023</b>	<b>Overhaul Parts Kit</b>	<b>16</b> ----	<b>820010P</b>	<b>O-ring (25 pk)</b>
----	129655	Legend LX, Second Stage Only	17	AP2033	Crown
----	129675	Legend LX Supreme, Second Stage Only	<b>18</b> ----	<b>AP1438P</b>	<b>O-ring (10 pk)</b>
1	129676	Front Cover w/Locker, LX	19	129626	Valve Spindle, Comolmed
----	129818	Front Cover w/Locker, LX, Twilight	20	129644	Venturi
----	129777	Front Cover w/Locker, LUX, Pnk/Gold	21	129637	Venturi Key
2	129684	Purge Cover, Black	<b>22</b> ----	<b>129638</b>	<b>MP Seat, Silicone</b>
3	129656	Diaphragm Washer	23	AP2036	Shuttle Valve
4	129657	Diaphragm	<b>24</b> ----	<b>AP2041P</b>	<b>O-ring (10 pk)</b>
5	129672	Case, LX, Coated	25	AP2021	Spring
----	129678	Case, LX Supreme, Coated	26	129784	Counter-balance Chamber
6	129154	Mouthpiece Clamp	27	129178	Lever
7	109438	Mouthpiece, ComfoBite	<b>28</b> ----	<b>820306</b>	<b>O-ring</b>
----	104138	Mouthpiece, Standard	29	129632	Adjusting Screw
8	109512	Lip Shield, Supreme Model	<b>30</b> ----	<b>820014P</b>	<b>O-ring (25 pk)</b>
9	129732	Exhaust Cover, Coated	31	129628	Cam
10	129642	Exhaust Valve, non-Supreme models	32	129634	Adjusting Knob
----	129174	Exhaust Valve, Supreme models	33	129633	Plug, LX, Chrome
11	129648	Baffle	----	129723	Plug, LUX, Pnk/Gold
12	129617	Decal, Legend	----	129749	Plug, LX Supreme, Satin
13	129631	Heat Exchanger, LX, Chrome	34	129807	MP Hose, Braided, 3/8"x 29", w/Protectors (2)
----	129726	Heat Exchanger, LUX, Pnk/Gold	35	129636	Hose Sleeve
----	129748	Heat Exchanger, LX Supreme, Satin	<b>36</b> ----	<b>820011P</b>	<b>O-ring (25 pk)</b>
14	129652	Spacer	<b>37</b> ----	<b>128624</b>	<b>Service Date Sleeve</b>
<b>15</b> ----	<b>820015P</b>	<b>O-ring (10 pk)</b>	38	127859	Hose Protector, Black (for Braided hose)

Part numbers in **BOLD ITALICS** indicate standard overhaul replacement part

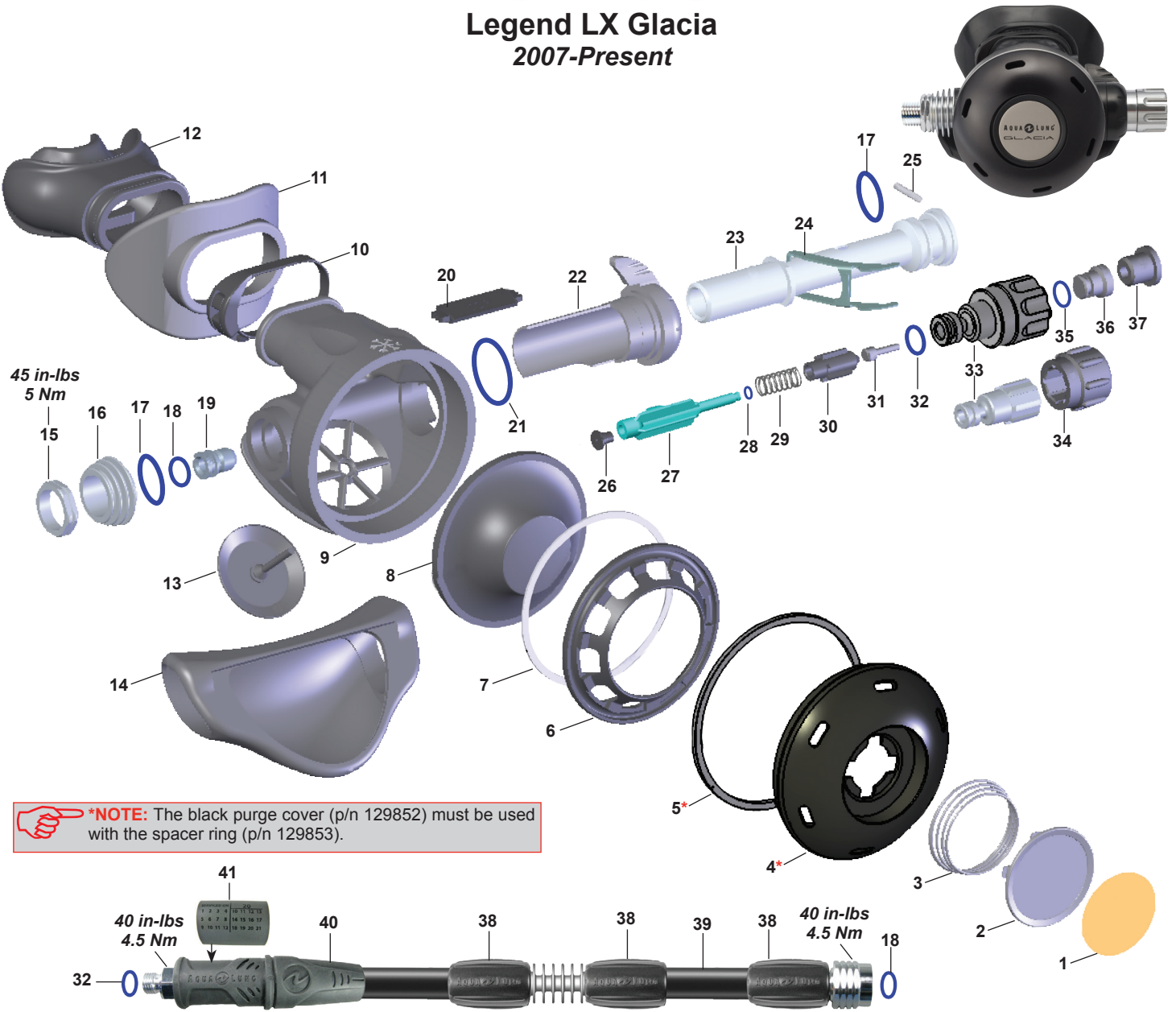
**Legend Series**  
2012-Present



Key #	Part #	Description	Key #	Part #	Description
----	<b>900023</b>	<b>Overhaul Parts Kit</b>	14	129652	Spacer
----	129625	Legend, Second Stage Only	<b>15</b>	<b>820015P</b>	<b>O-ring (10 pk)</b>
----	129665	Legend Supreme, Second Stage Only	<b>16</b>	<b>820010P</b>	<b>O-ring (25 pk)</b>
1	129658	Front Cover w/Locker, Black	17	AP2033	Crown
2	129684	Purge Cover, Black	<b>18</b>	<b>AP1438P</b>	<b>O-ring (10 pk)</b>
----	129686	Purge Cover, Octopus, Yellow	19	129661	Venturi Lever
3	129656	Diaphragm Washer	----	129663	Venturi Lever, Octopus, Yellow
4	129657	Diaphragm	20	129146	Valve Body
5	129669	Case, Legend	21	AP1151	Pin
----	129677	Case, Legend Supreme, Octopus	22	129178	Lever
6	129154	Mouthpiece Clamp	<b>23</b>	<b>129638</b>	<b>MP Seat</b>
7	109438	Mouthpiece, ComfoBite	24	AP2036	Shuttle Valve
----	104138	Mouthpiece, Standard, Octopus	<b>25</b>	<b>AP2041P</b>	<b>O-ring (10 pk)</b>
8	109512	Lip Shield, Supreme Model	26	AP2021	Spring
9	129731	Exhaust Cover	27	AP2038SQ	Counter-balance Chamber
10	129642	Exhaust Valve, Legend models	<b>28</b>	<b>820011P</b>	<b>O-ring (25 pk)</b>
----	129174	Exhaust Valve, Supreme, Octopus	29	129162	Adjustment Screw
11	129648	Baffle, Legend, Legend Supreme	30	129662	Plug
----	129184	Baffle, Octopus	31	128624	Service Date Sleeve
12	129617	Decal, Legend	32	127859	Hose Protector, Black (for Braided hose)
13	129631	Heat Exchanger, Legend, Chrome	33	129807	MP Hose, Braided, 3/8"x 29", Blk, w/Protectors (2)
----	129748	Heat Exchanger, Supreme, Octopus, Satin	----	129681	MP Hose, Braided, 3/8"x 39", Yellow, w/Protectors (2)
			34	129636	Hose Sleeve

Part numbers in **BOLD ITALICS** indicate standard overhaul replacement part

# Legend LX Glacia 2007-Present



**\*NOTE:** The black purge cover (p/n 129852) must be used with the spacer ring (p/n 129853).

Key #	Part #	Description
-------	--------	-------------

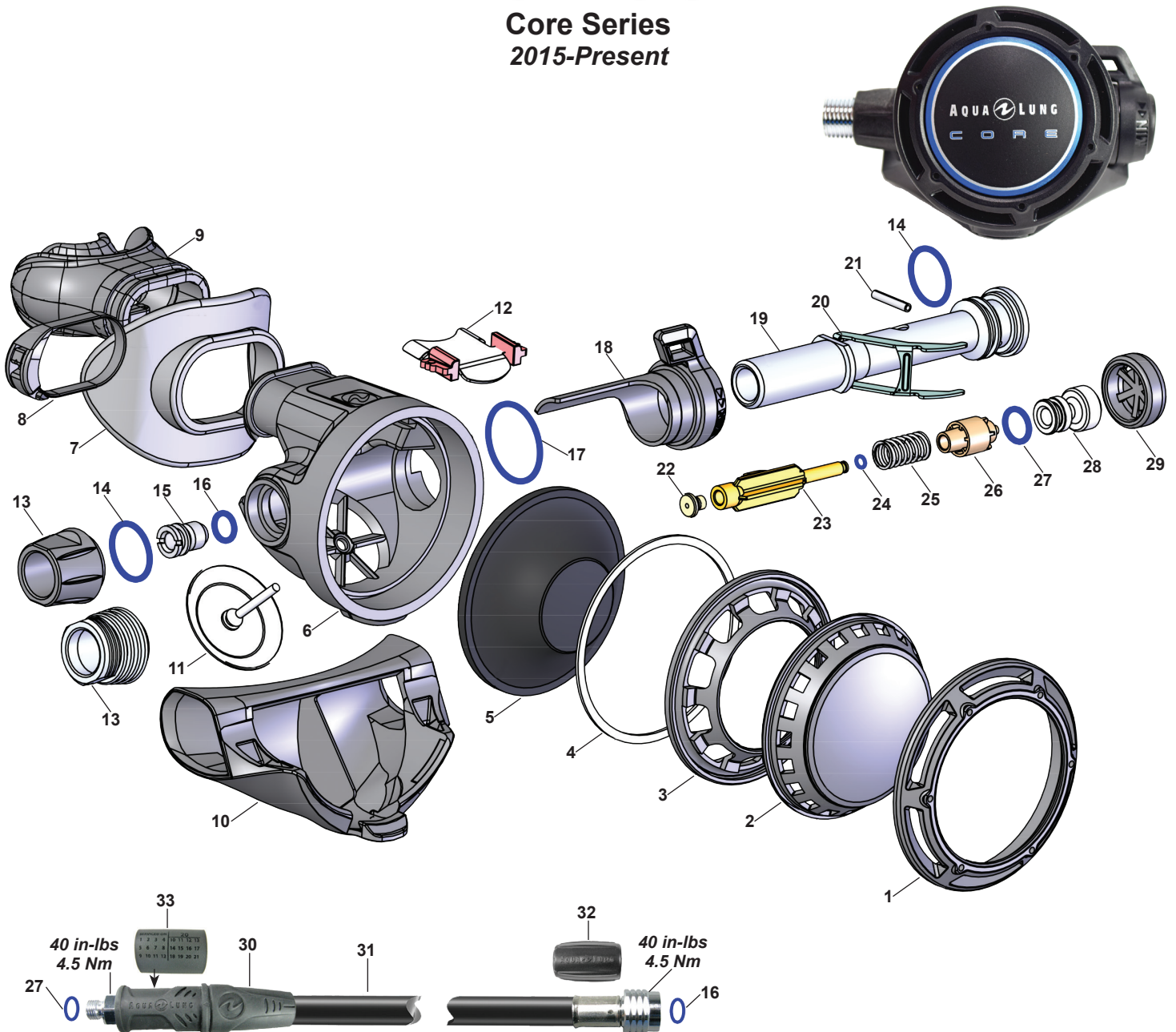
----	<b>900023</b>	<b>Overhaul Parts Kit</b>
----	129885	Legend LX Glacia, Second Stage
1----	129854	Decal, Purge Button, (2014)
----	129282	Decal, Purge Button
2----	AP5805	Purge Button
3----	AP2020	Purge Spring
4----	129852	Purge Cover, Black
5----	129853	Spacer Ring, Aluminum (for Black Cover only)
6----	129195	Diaphragm Retainer
7----	129133	Thrust Washer
8----	129150	Diaphragm
9----	129188	Case, Supreme
10----	129154	Mouthpiece Clamp
11----	109512	Lip Shield
12----	109438	Mouthpiece, ComfoBite
13----	129174	Exhaust Valve
14----	104102	Exhaust Tee
15----	AP2031	Retaining Nut
16----	129148	Heat Exchanger
<b>17----</b>	<b>820015P</b>	<b>O-ring (10 pk)</b>
<b>18----</b>	<b>820010P</b>	<b>O-ring (25 pk)</b>
19----	AP2033	Crown
20----	129184	Baffle

Key #	Part #	Description
-------	--------	-------------

<b>21----</b>	<b>AP1438P</b>	<b>O-ring (10 pk)</b>
22----	129139	Venturi Lever
23----	129146	Valve Body
24----	129178	Lever
25----	AP1151	Pin
<b>26----</b>	<b>129638</b>	<b>MP Seat, Silicone</b>
27----	AP2036	Shuttle Valve
<b>28----</b>	<b>AP2041P</b>	<b>O-ring (10 pk)</b>
29----	AP2021	Spring
30----	AP2038SQ	Counter-balance Chamber
31----	129129	Adjustment Pin
<b>32----</b>	<b>820011P</b>	<b>O-ring (25 pk)</b>
33----	129856	Adjusting Knob, Metallic (2014)
----	129147	Adjusting Knob
34----	129130	Grip
<b>35----</b>	<b>820009P</b>	<b>O-ring (10 pk)</b>
36----	129135	Adjusting Screw
37----	129143	Plug, (2014) must be used w/metalic adjusting knob
----	129142	Plug
38----	129160	Hose Sleeve
39----	129343	MP Hose w/Heat X, 3/8"x 30"
40----	124570	Hose Protector, Black
41----	128624	Service Date Sleeve

Part numbers in **BOLD ITALICS** indicate standard overhaul replacement part

**Core Series  
2015-Present**

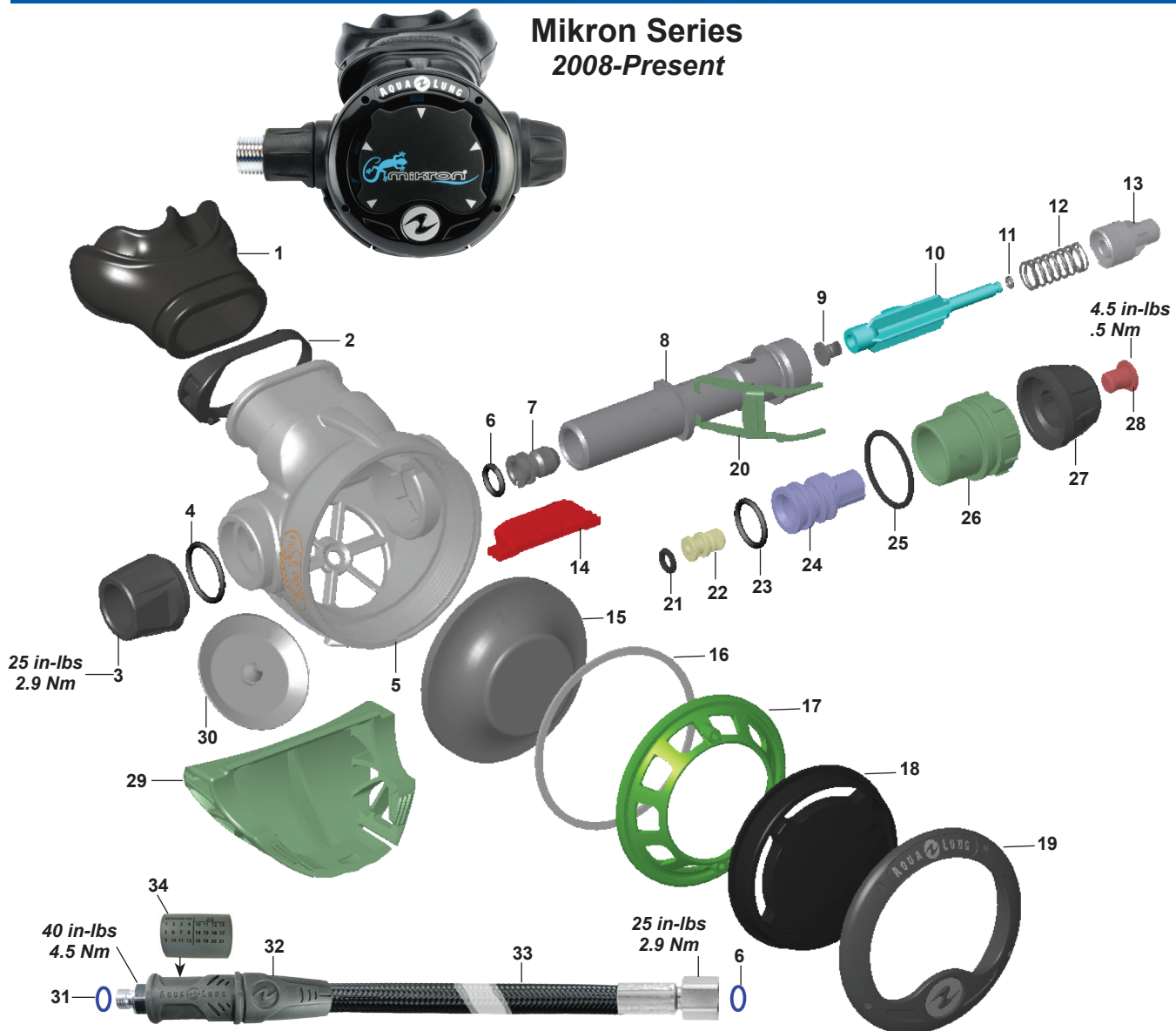


Key #	Part #	Description
-----	<b>900023</b>	<b>Overhaul Parts Kit</b>
-----	129955	Core Supreme, Second Stage Only
1----	129913	Purge Retainer
2----	129912	Purge Cover, Core
-----	129918	Purge Cover, Core Supreme
----	129917	Purge Cover, Core Octo, Yellow
3----	129195	Diaphragm Retainer
4----	129133	Thrust Washer
5----	129150	Diaphragm
6----	129907	Case, Core
7----	109512	Lip Shield, Core Supreme
8----	129154	Mouthpiece Clamp
9----	109438	Mouthpiece, ComfoBite
-----	104138	Mouthpiece, Standard
10----	129908	Exhaust Tee
11----	129174	Exhaust Valve
12----	129648	Baffle
13----	127818	Retaining Nut
-----	129914	Heat Exchanger, Core Supreme
<b>14----</b>	<b>820015P</b>	<b>O-ring (10 pk)</b>

Key #	Part #	Description
15----	AP2033	Crown
<b>16----</b>	<b>820010P</b>	<b>O-ring (25 pk)</b>
<b>17----</b>	<b>AP1438P</b>	<b>O-ring (10 pk)</b>
18----	129909	Venturi Lever
19----	129146	Valve Body
20----	129178	Lever
21----	AP1151	Pin
<b>22----</b>	<b>129638</b>	<b>MP Seat, Silicone</b>
23----	AP2036	Shuttle Valve
<b>24----</b>	<b>AP2041P</b>	<b>O-ring (10 pk)</b>
25----	AP2021	Spring
26----	129784	Counter-balance Chamber
<b>27----</b>	<b>820011P</b>	<b>O-ring (25 pk)</b>
28----	129162	Adjustment Screw
29----	129911	Plug
30----	124570	Hose Protector, Black
31----	APF124563	MP Hose, 3/8" x 30", w/Protector
-----	APF124566	MP Hose, 3/8" x 39", Yellow, w/ Protector
32----	129160	Hose Sleeve
33----	128624	Service Date Sleeve

Part numbers in **BOLD ITALICS** indicate standard overhaul replacement part

## Mikron Series 2008-Present



Key #	Part #	Description
-------	--------	-------------

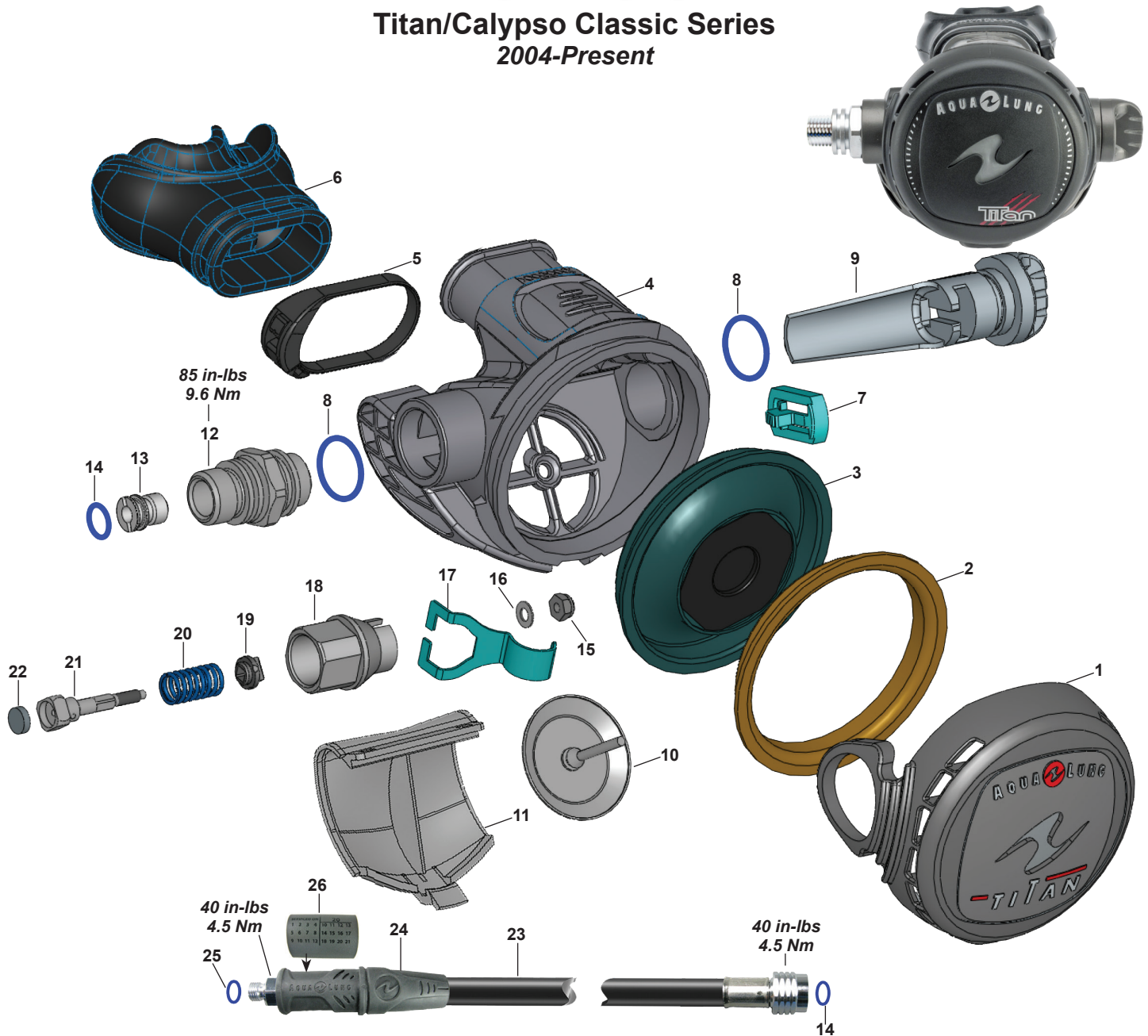
-----	<b>900023</b>	<b>Overhaul Parts Kit</b>
-----	127965	Mikron, Second Stage, Blk/Blue
-----	127835A	Mikron, Second Stage, Blk/Pnk
1----	109438	Mouthpiece, Comfobite
-----	127826	Mouthpiece, Comfobite, Small
-----	104138	Mouthpiece, Standard
-----	129154	Mouthpiece Clamp
3----	127818	Insert Screw
<b>4----</b>	<b>820015P</b>	<b>O-ring (10 pk)</b>
5----	127842	Case, Mikron
<b>6----</b>	<b>820010P</b>	<b>O-ring (25 pk)</b>
7----	AP2033	Crown
8----	127817	Valve Body
<b>9----</b>	<b>129638</b>	<b>MP Seat, Silicone</b>
10----	AP2036	Shuttle Valve
<b>11----</b>	<b>AP2041P</b>	<b>O-ring (10 pk)</b>
12----	AP2021	Spring
13----	127607	Counter-balance Chamber
14----	127827	Baffle
15----	127816	Diaphragm
16----	127815	Washer, Diaphragm
17----	127814	Retainer, Diaphragm, Black
-----	127887	Retainer, Diaphragm, Blue
-----	127832	Retainer, Diaphragm, Red

Key #	Part #	Description
-------	--------	-------------

18----	127889	Purge Cover, Mikron, Black/Blue
-----	127871	Purge Cover, Mikron, Black/Green
-----	127836	Purge Cover, Mikron, Black/Red
-----	127881	Purge Cover, Mikron, Black/Pink
-----	127838	Purge Cover, Mikron, Vanilla
-----	127848	Purge Cover, Mikron, Yellow
19----	127843	Retaining Ring, Mikron
20----	127828	Lever
<b>21----</b>	<b>820007P</b>	<b>O-ring (20 pk)</b>
22----	127823	Adjustment Screw
<b>23----</b>	<b>820013P</b>	<b>O-ring (10 pk)</b>
24----	127822	Cam, Mikron
<b>25----</b>	<b>820018P</b>	<b>O-ring (20 pk)</b>
26----	127819	Screw, Valve Body
27----	127821	Adjusting Knob
28----	127877	Plug, Mikron, Silver
-----	127868	Plug, Mikron, Green
-----	127824	Plug, Mikron, Red
-----	127833	Plug, Mikron, Vanilla
-----	127846	Plug, Mikron, Yellow
29----	127825	Exhaust Tee
30----	129174	Exhaust Valve
<b>31----</b>	<b>820011P</b>	<b>O-ring (25 pk)</b>
32----	127859	Hose Protector, Black (for Braided hose)
33----	129861	MP Hose, Aquaflex 3/8" x 30" Black w/Protector
-----	129862	MP Hose, Aquaflex 3/8" x 39" Yellow w/Protector
34----	128624	Service Date Sleeve

Part numbers in **BOLD ITALICS** indicate standard overhaul replacement part

**Titan/Calypso Classic Series**  
2004-Present

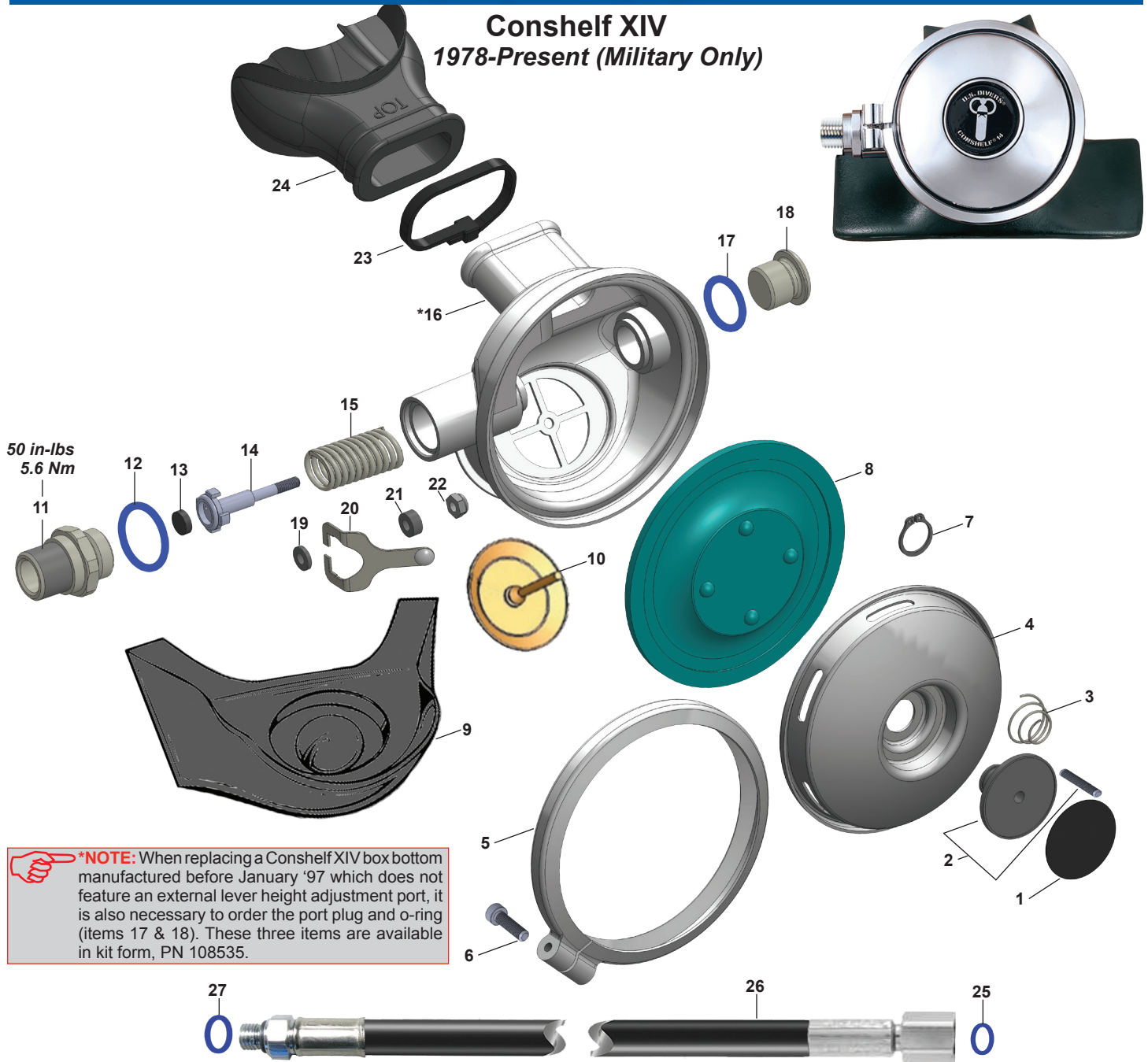


Key #	Part #	Description
-----	<b>900010</b>	<b>Overhaul Parts Kit</b>
-----	125465	Second Stage, Titan Classic, 2017
-----	125835	Second Stage, Titan Classic
-----	125740	Second Stage, Calypso Classic
1----	125414	Front Cover, Titan, 2017
----	125732	Front Cover, Titan
-----	125422	Front Cover, Calypso 2017
-----	125719	Front Cover, Calypso
-----	125734	Front Cover, Calypso, Green, O2
-----	125412	Front Cover, Octo, 2017
-----	125724	Front Cover, Octo
2----	124509	Diaphragm Washer
3----	125705	Diaphragm
4----	125423	Case, 2017
----	125721	Case
5----	129154	Mouthpiece Clamp
6----	109438	Mouthpiece, Comfobite
-----	104138	Mouthpiece, Octopus
7----	125707	Retaining Clip, Venturi Switch

Key #	Part #	Description
8----	<b>820015P</b>	<b>O-ring (10 pk)</b>
9----	125404	Venturi Switch, 2017
----	125706	Venturi Switch
10----	129174	Exhaust Valve
11----	125702	Exhaust Valve Cover
12----	104106	Inlet Fitting
13----	100128	Crown Orifice
14----	<b>820010P</b>	<b>O-ring (25 pk)</b>
15----	<b>102510</b>	<b>Locknut</b>
16----	104129	Washer
17----	125708	Lever
18----	125709	Valve Insert
19----	<b>104134</b>	<b>Poppet Bearing</b>
20----	104127	Spring
21----	104122	Poppet
22----	<b>106738</b>	<b>MP Seat</b>
23----	APF124563	MP Hose, Black, 3/8" x 30", w/ Protector
----	APF124566	MP Hose, Octo, Yellow, 3/8" x 39", w/ Protector-
24----	124570	Hose Protector, Black
25----	<b>820011P</b>	<b>O-ring (25 pk)</b>
26----	128624	Service Date Sleeve

Part numbers in **BOLD ITALICS** indicate standard overhaul replacement part

## Conshelf XIV 1978-Present (Military Only)



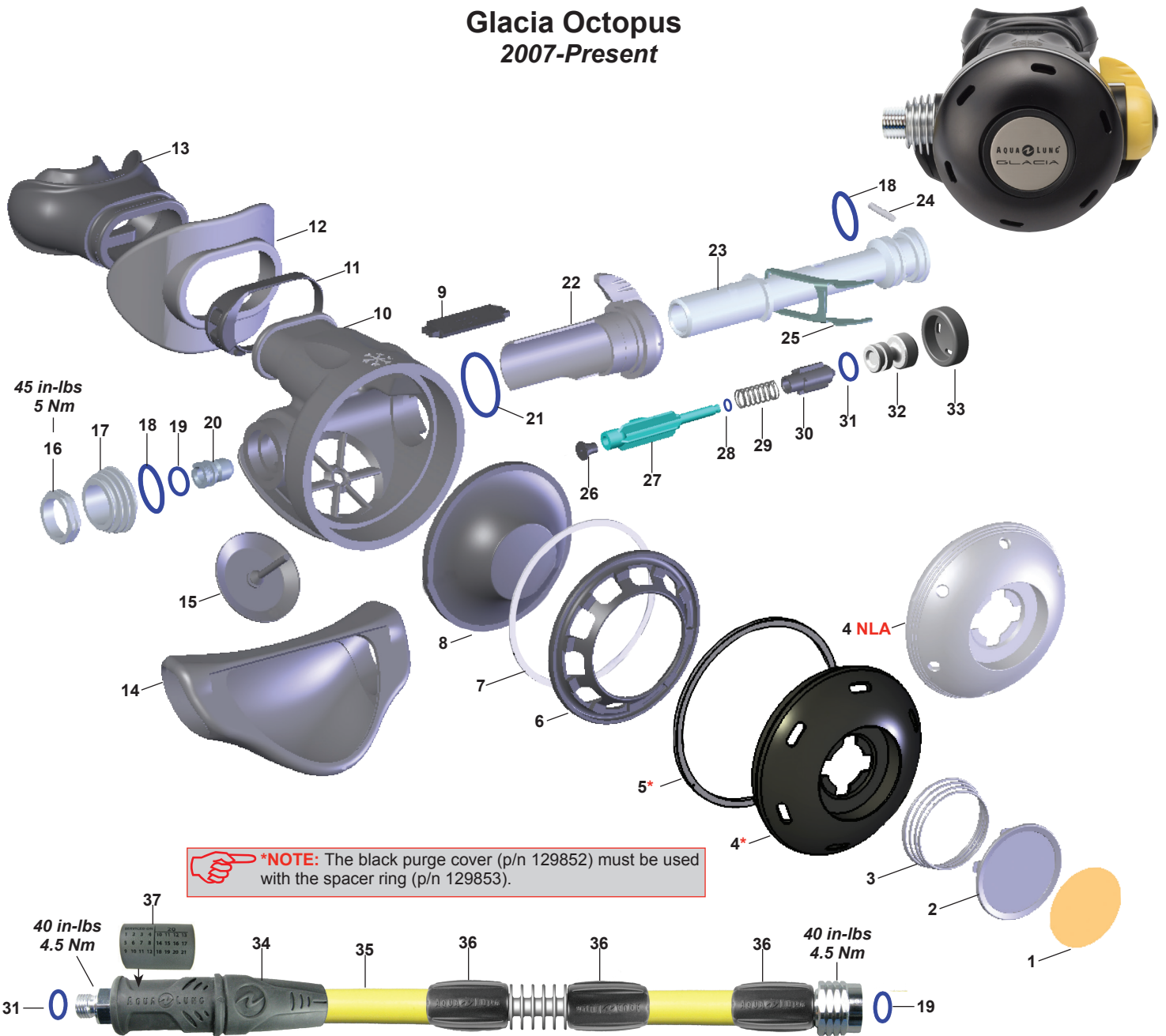
**\*NOTE:** When replacing a Conshelf XIV box bottom manufactured before January '97 which does not feature an external lever height adjustment port, it is also necessary to order the port plug and o-ring (items 17 & 18). These three items are available in kit form, PN 108535.

Key #	Part #	Description
----	<b>108592</b>	<b>Military Air Service Kit (21% Oxygen only)</b>
----	<b>108596</b>	<b>Military Nitrox Service Kit (40% Oxygen max.)</b>
----	<b>900013</b>	<b>Overhaul Parts Kit (non-Military)</b>
----	108530	Conshelf XIV Second Stage
----	108538	Conshelf XIV Supreme Second Stage
1----	108185	Decal, Conshelf XIV
2----	103706	Purge Button w/ Adjustment Screw
3----	102708	Purge Spring
4----	107001	Box Top
5----	390147	Box Top Clamp
6----	834023	Clamp Screw
7----	860037	Retaining Ring
8----	103732	Demand Diaphragm (U.S. Military Only)
9----	101919	Exhaust Tee
10----	105139	Exhaust Valve
11----	100444	Inlet Fitting
<b>12----</b>	<b>820014P</b>	<b>O-ring (25 pk)</b>
<b>13----</b>	<b>108510</b>	<b>MP Seat, Black</b>
14----	104903	Poppet

Key #	Part #	Description
15----	108504	Spring (Standard)
----	108514	Spring (Octopus)
16----	108122	Box Bottom
----	108535	Box Bottom Kit (includes 16, 17 & 18)
<b>17----</b>	<b>957025P</b>	<b>O-ring (10 pk)</b>
18----	102004	Plug
19----	107607	Washer
20----	107605	Lever
21----	107606	Spacer
<b>22----</b>	<b>102510</b>	<b>Locknut</b>
<b>23----</b>	<b>104940</b>	<b>Clamp, Clear</b>
----	<b>104913</b>	<b>Clamp, Black</b>
24----	105885	Comfo Bite Mouthpiece, Black
----	105879	Standard Mouthpiece, Black
<b>25----</b>	<b>820010P</b>	<b>O-ring (25 pk)</b>
26----	090015	MP Hose, 3/8" x 30" Black
----	090039	MP Hose, 3/8" x 39" Yellow
----	090025	MP Hose, 3/8" x 39" Black
<b>27----</b>	<b>820011P</b>	<b>O-ring (25 pk)</b>

Part numbers in **BOLD ITALICS** indicate standard overhaul replacement part

# Glacia Octopus 2007-Present

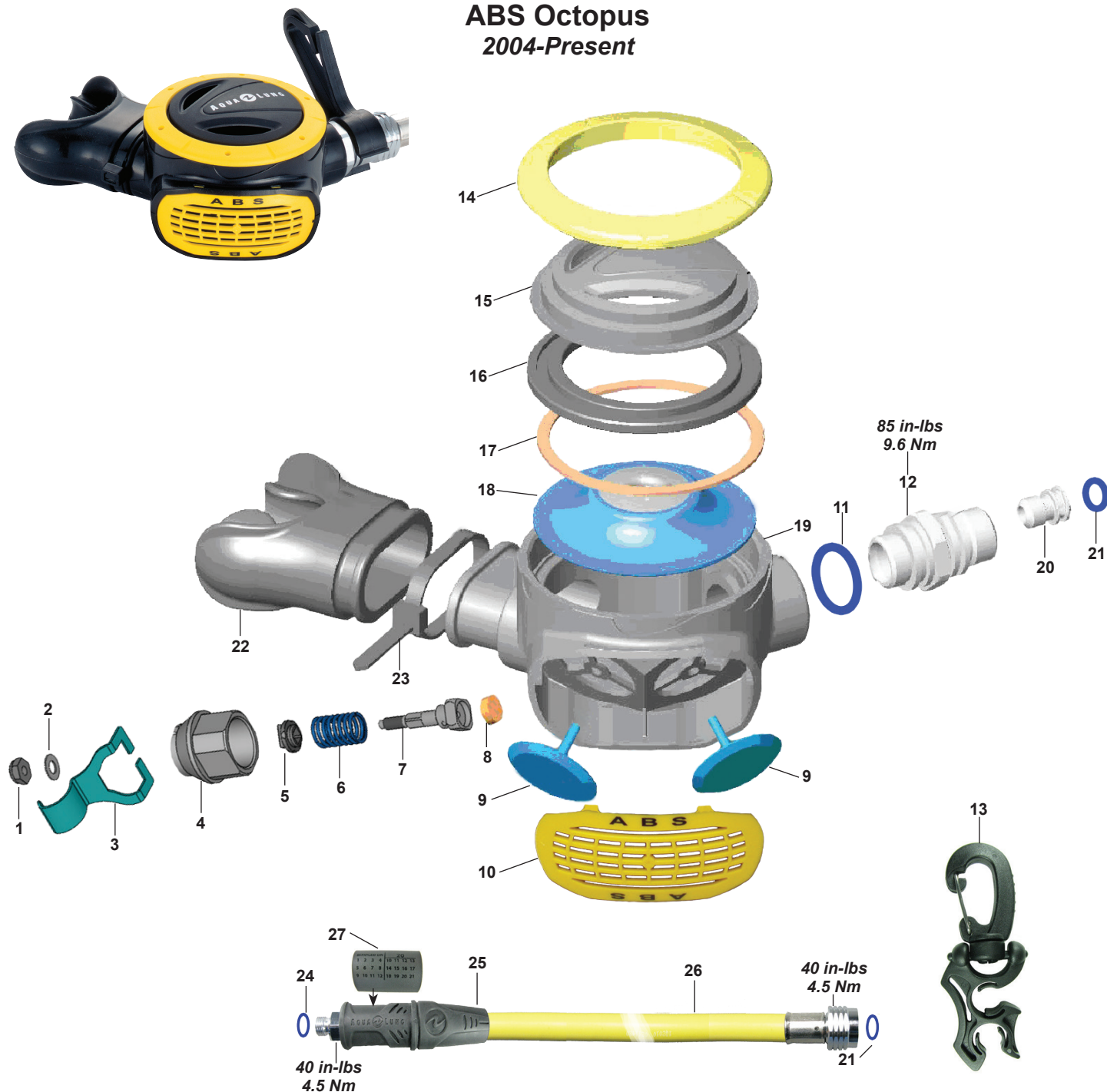


**\*NOTE:** The black purge cover (p/n 129852) must be used with the spacer ring (p/n 129853).

Key #	Part #	Description	Key #	Part #	Description
-----	<b>900023</b>	<b>Overhaul Parts Kit</b>	<b>18</b> ----	<b>820015P</b>	<b>O-ring (10 pk)</b>
1----	129354	Decal, Purge Button (Glacia Octo)	<b>19</b> ----	<b>820010P</b>	<b>O-ring (25 pk)</b>
2----	AP5805	Purge Button	20----	AP2033	Crown
3----	AP2020	Spring	<b>21</b> ----	<b>AP1438P</b>	<b>O-ring (10 pk)</b>
4----	129852	Purge Cover, Black	22----	129183	Venturi Lever, Yellow
-----	<b>NLA</b>	Purge Cover, Silver	23----	129146	Valve Body
5----	129853	Spacer Ring, Aluminum (for Black Cover only)	24----	AP1151	Pin
6----	129195	Diaphragm Retainer	25----	129178	Lever
7----	129133	Thrust Washer	<b>26</b> ----	<b>129638</b>	<b>MP Seat, Silicone</b>
8----	129150	Diaphragm	27----	AP2036	Shuttle Valve
9----	129184	Baffle	<b>28</b> ----	<b>AP2041P</b>	<b>O-ring (10 pk)</b>
10----	129188	Box Bottom	29----	AP2021	Spring
11----	129154	Mouthpiece Clamp	30----	AP2038SQ	Counter-balance Chamber
12----	109512	Lip Shield	<b>31</b> ----	<b>820011P</b>	<b>O-ring (25 pk)</b>
13----	109438	Mouthpiece, ComfoBite	32----	129162	Adjustment Screw
-----	104138	Mouthpiece, Standard	33----	129161	Plug
14----	104102	Exhaust Tee	34----	124570	Hose Protector, Black
15----	129174	Exhaust Valve	35----	129352	MP Hose w/Heat X, Yellow 3/8x36
16----	AP2031	Retaining Nut	36----	129160	Hose Sleeve, Black
17----	129148	Heat Exchanger	37----	128624	Service Date Sleeve

Part numbers in **BOLD ITALICS** indicate standard overhaul replacement part

## ABS Octopus 2004-Present

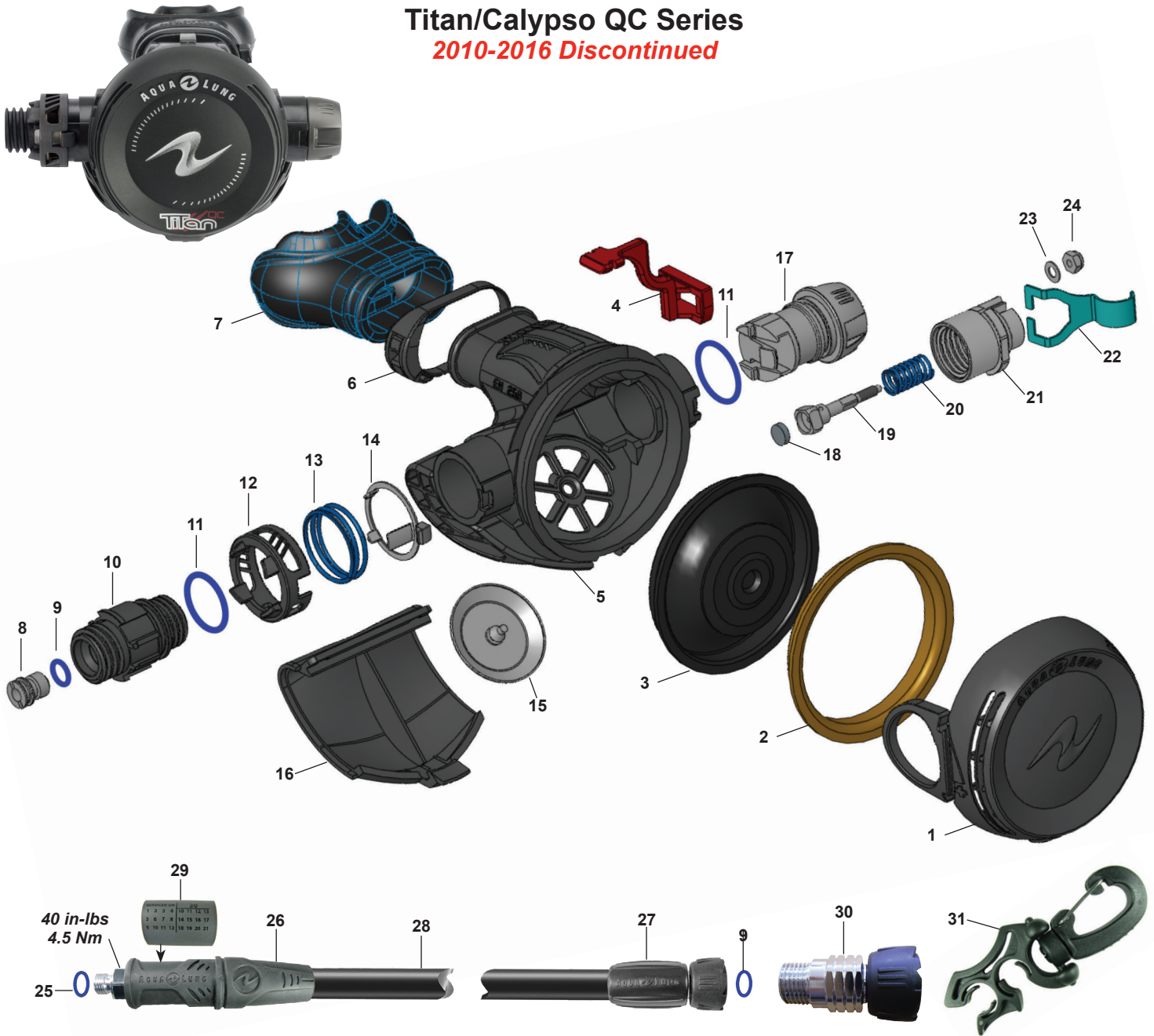


Key #	Part #	Description
-----	<b>900010</b>	<b>Overhaul Parts Kit</b>
1----	<b>102510</b>	<b>Locknut</b>
2----	104129	Washer
3----	116928	Lever
4----	116926	Valve Body
5----	<b>104134</b>	<b>Poppet Bearing</b>
6----	104127	Spring
7----	104122	Poppet
8----	<b>106738</b>	<b>MP Seat</b>
9----	100122	Exhaust Valves
10----	116925	Exhaust Grid
11----	<b>820015P</b>	<b>O-ring (10 pk)</b>
12----	104106	Inlet Fitting
13----	216047	Hose Retaining Clip

Key #	Part #	Description
14----	116922	Cover Ring
15----	116929	Purge Cover
16----	116923	Diaphragm Retainer
17----	107818	Diaphragm Washer
18----	116930	Diaphragm
19----	116927	Box Bottom
20----	100128	Crown Orifice
21----	<b>820010P</b>	<b>O-ring (25 pk)</b>
22----	104138	Mouthpiece, Octopus
23----	<b>104913</b>	<b>Clamp</b>
24----	<b>820011P</b>	<b>O-ring (25 pk)</b>
25----	124570	Hose Protector, Black
26----	APF124566	MP Hose, Octopus, Yellow, 3/8" x39" w/Protector
27----	128624	Service Date Sleeve

Part numbers in **BOLD ITALICS** indicate standard overhaul replacement part

**Titan/Calypso QC Series**  
*2010-2016 Discontinued*



Key #	Part #	Description
-----	<b>900010</b>	<b>Overhaul Parts Kit</b>
-----	128540	Second Stage, Titan
-----	128550	Second Stage, Calypso
1----	128615	Front Cover, Titan
-----	125422	Front Cover, Calypso,2017
-----	128616	Front Cover, Calypso
-----	128628	Front Cover, Calypso O2/Titan O2
-----	128618	Front Cover, Octo
2----	124509	Diaphragm Washer
3----	128610	Diaphragm
4----	128612	Venturi
5----	125423	Case
-----	128602	Case
6----	129154	Mouthpiece Clamp
7----	109438	Mouthpiece, ComfoBite
-----	104138	Mouthpiece, Standard
8----	128621	Crown
<b>9----</b>	<b>820010P</b>	<b>O-ring (25 pk)</b>
10----	128604	Crown Holder
<b>11----</b>	<b>820017P</b>	<b>O-ring (10 pk)</b>


Key #	Part #	Description
12----	128603	Hose Locker
13----	128605	Spring
14----	128609	Ring Locker
15----	129174	Exhaust Valve
16----	128613	Exhaust Valve Cover
17----	128611	Venturi Knob
<b>18----</b>	<b>106738</b>	<b>MP Seat</b>
19----	104122	Poppet
20----	125737	Spring
21----	128606	Valve Insert, Reversible
22----	125708	Lever
23----	104129	Washer
<b>24----</b>	<b>102510</b>	<b>Locknut</b>
<b>25----</b>	<b>820011P</b>	<b>O-ring (25 pk)</b>
26----	124570	Hose Protector, Blk
27----	129160	Hose Sleever
28----	128619	MP Hose,Quick Connect, 3/8" x 30"
-----	128620	MP Hose,Quick Connect, 3/8" x 39"
29----	128624	Service Date Sleeve
30----	128595	Swivel Hose Adapter
31----	216047	Hose Holder

Part numbers in **BOLD ITALICS** indicate standard overhaul replacement part

**Titan LX Series 2001-2014 Discontinued**  
**Legend Series 2002-2011 Discontinued**




**\*NOTE:** The purge cover (p/n 129172) and metal badge (p/n 129187) are no longer available. If either part needs to be replaced, you can substitute with Legend purge cover (p/n 129236).



Old Revision

**\*NOTE:** The diaphragm retainer and purge cover for the pre-2009 Titan LX 2nd stage are no longer available. If the diaphragm retainer and/or purge cover become damaged or lost, you will need to replace both parts with the new Titan LX purge cover (p/n 128103) and diaphragm retainer (p/n 129195). "DO NOT" use the old diaphragm retainer with the new purge cover. The old/new purge cover retaining ring can be used with either purge cover.



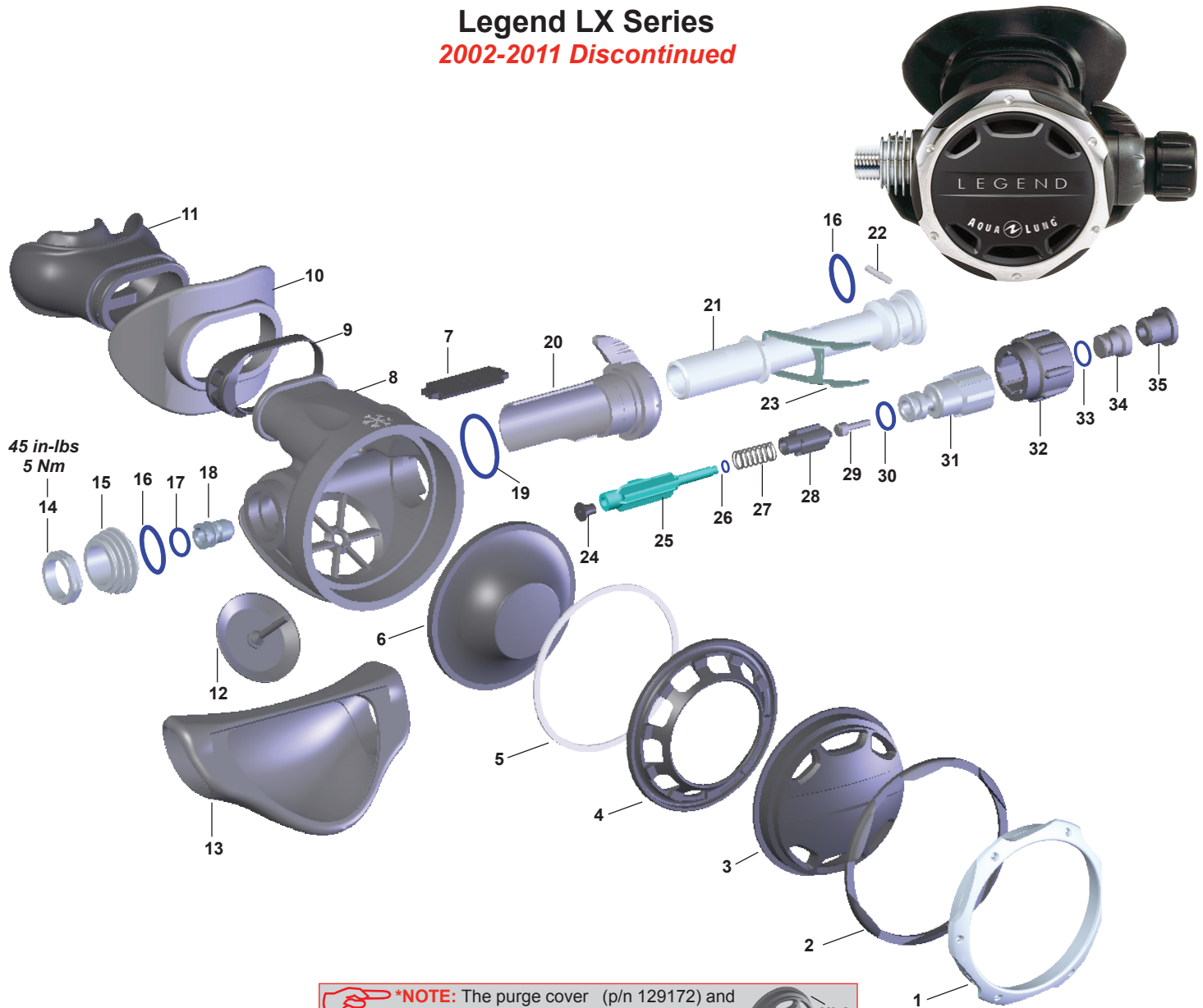
Old Revision

Key #	Part #	Description
-----	<b>900023</b>	<b>Overhaul Parts Kit</b>
1 ----	129344	Decal, Purge Button (Glacia)
2 ----	AP5805	Purge Button (Glacia)
3 ----	AP2020	Spring (Glacia)
4 ----	129171	Retaining Ring, Silver (Legend)
-----	128102	Retaining Ring, Black (Titan LX)
5 ----	129173	Mating Ring, Rubber (Legend)
6 ----	129236	Purge Cover, Black (Legend)
-----	129237	Purge Cover, Yellow (Legend Octo)
-----	128103	Purge Cover, (Titan LX)
-----	128105	Purge Cover, (Titan LX Supreme)
-----	128107	Purge Cover, Yellow (Titan LX Octo)
-----	<b>NLA</b>	Purge Cover, Silver (Glacia)
7 ----	129195	Diaphragm Retainer, Black
-----	128104	Diaphragm Retainer, Red, (Titan LX)
-----	128108	Diaphragm Retainer, Blue, (Titan LX Supreme)
8 ----	129133	Thrust Washer
9 ----	129150	Diaphragm
10 ----	129184	Baffle
11 ----	129164	Case, Legend, Titan LX, Octopus
-----	129188	Case, Supreme,
12 ----	129154	Mouthpiece Clamp

Key #	Part #	Description
13 ----	109512	Lip Shield, Supreme Model
14 ----	109438	Mouthpiece, ComfoBite
-----	104138	Mouthpiece, Standard
15 ----	104102	Exhaust Cover
16 ----	129174	Exhaust Valve
17 ----	AP2031	Retaining Nut
18 ----	129148	Heat Exchanger
<b>19 ----</b>	<b>820015P</b>	<b>O-ring (10 pk)</b>
<b>20 ----</b>	<b>820010P</b>	<b>O-ring (25 pk)</b>
21 ----	AP2033	Crown
<b>22 ----</b>	<b>AP1438P</b>	<b>O-ring (10 pk)</b>
23 ----	129139	Venturi Lever, Black
24 ----	129146	Valve Body
25 ----	AP1151	Pin
26 ----	129178	Lever
<b>27 ----</b>	<b>129638</b>	<b>MP Seat, Silicone</b>
28 ----	AP2036	Shuttle Valve
<b>29 ----</b>	<b>AP2041P</b>	<b>O-ring (10 pk)</b>
30 ----	AP2021	Spring
31 ----	AP2038SQ	Counter-balance Chamber
<b>32 ----</b>	<b>820011P</b>	<b>O-ring (25 pk)</b>
33 ----	129162	Adjustment Screw
34 ----	129161	Plug

Part numbers in **BOLD ITALICS** indicate standard overhaul replacement part

**Legend LX Series**  
*2002-2011 Discontinued*

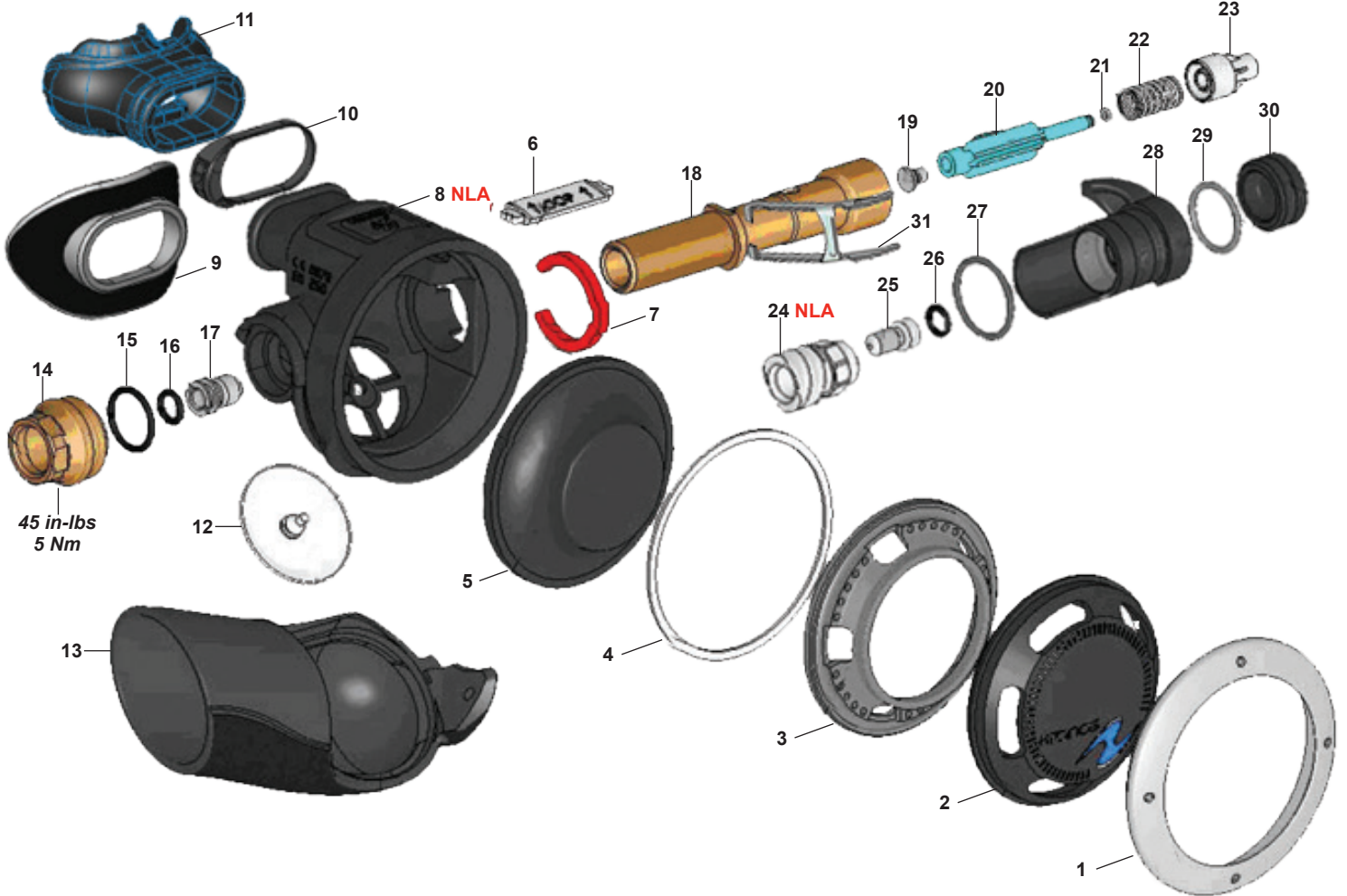


**\*NOTE:** The purge cover (p/n 129172) and metal badge (p/n 129187) are no longer available. If either part needs to be replaced, you can substitute with Legend purge cover (p/n 129236).

Key #	Part #	Description	Key #	Part #	Description
----	<b>900023</b>	<b>Overhaul Parts Kit</b>	<b>17</b> ----	<b>820010P</b>	<b>O-ring (25 pk)</b>
1	129171	Retaining Ring, Silver	18	AP2033	Crown
2	129173	Mating Ring, Rubber	<b>19</b> ----	<b>AP1438P</b>	<b>O-ring (10 pk)</b>
3	129236	Purge Cover, Legend, Black	20	129138	Venturi Lever
4	129195	Diaphragm Retainer	21	129146	Valve Body
5	129133	Thrust Washer	22	AP1151	Pin
6	129150	Diaphragm	23	129178	Lever
7	129184	Baffle	<b>24</b> ----	<b>129638</b>	<b>MP Seat, Silicone</b>
8	129164	Case, LX	25	AP2036	Shuttle Valve
----	129188	Case, LX Supreme	<b>26</b> ----	<b>AP2041P</b>	<b>O-ring (10 pk)</b>
9	129154	Mouthpiece Clamp	27	AP2021	Spring
10	109512	Lip Shield, Supreme Model	28	AP2038SQ	Counter-balance Chamber
11	109438	Mouthpiece, ComfoBite	29	129129	Adjustment Pin
----	104138	Mouthpiece, Standard	<b>30</b> ----	<b>820011P</b>	<b>O-ring (25 pk)</b>
12	129174	Exhaust Valve	31	129147	Adjustment Knob
13	104102	Exhaust Cover	32	129130	Grip
14	AP2031	Retaining Nut	<b>33</b> ----	<b>820009P</b>	<b>O-ring (10 pk)</b>
15	129148	Heat Exchanger	34	129135	Adjusting Screw Plug
<b>16</b> ----	<b>820015P</b>	<b>O-ring (10 pk)</b>	35	129142	Plug

Part numbers in **BOLD ITALICS** indicate standard overhaul replacement part

**Kronos Series**  
**2007-2011 Discontinued**



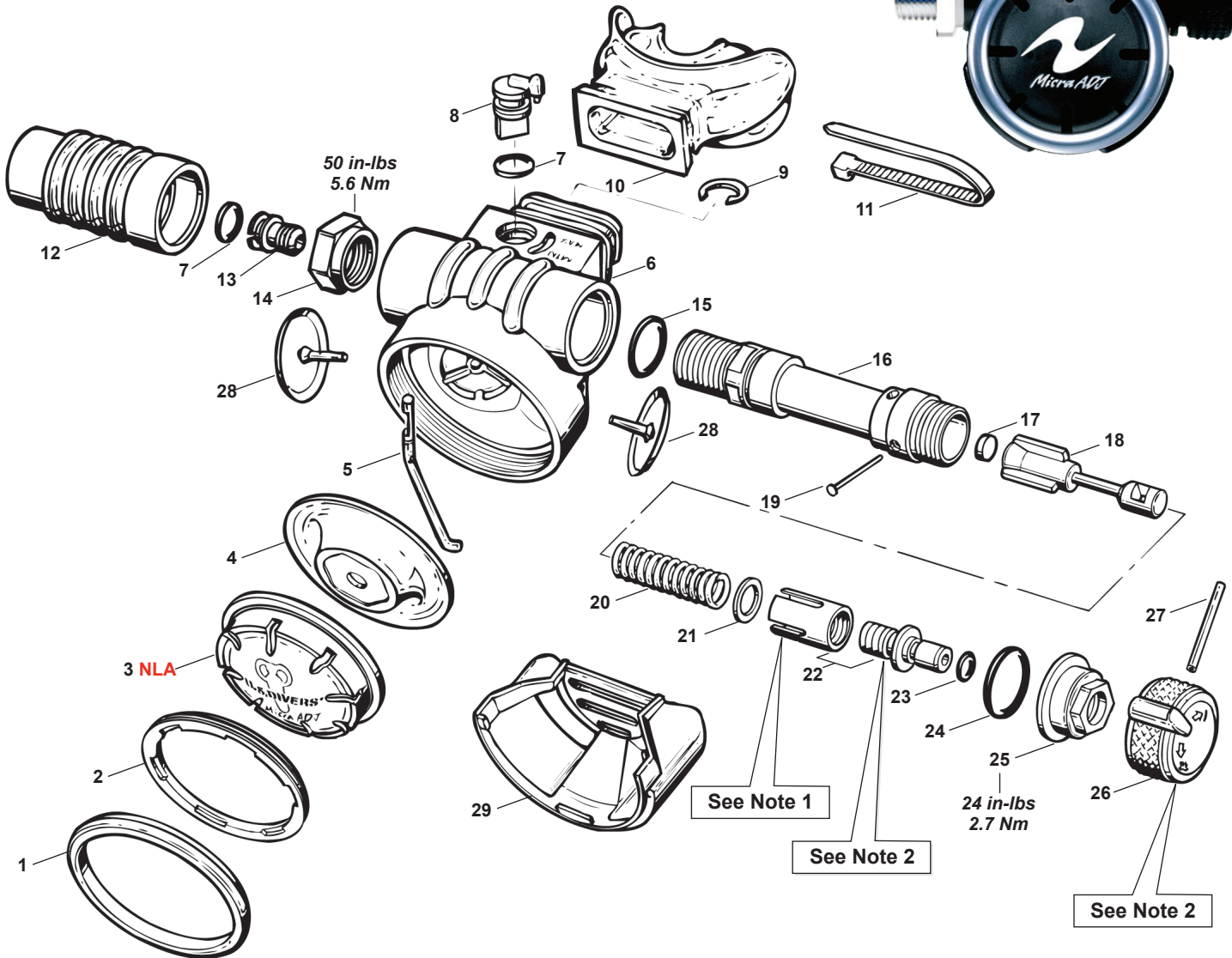
Key #	Part #	Description
-----	<b>900023</b>	<b>Overhaul Parts Kit</b>
1----	127602	Retaining Ring, Kronos
-----	127621	Retaining Ring, Kronos Octo
2----	127614	Purge Cover, Kronos
-----	127615	Purge Cover, Kronos Supreme
-----	127616	Purge Cover, Kronos Octo
3----	127625	Diaphragm Retainer
4----	129133	Washer
5----	129150	Diaphragm
6----	129184	Baffle
7----	127612	Clip
8----	<b>NLA</b>	Case, Kronos
9----	109512	Lip Shield, Supreme Model
10----	129154	Mouthpiece Clamp
11----	109438	Mouthpiece, ComfoBite
-----	104138	Mouthpiece, Standard
12----	129174	Exhaust Valve
13----	127622	Exhaust Tee, Kronos

Key #	Part #	Description
14----	127606	Heat Exchanger
<b>15----</b>	<b>820015P</b>	<b>O-ring (10 pk)</b>
<b>16----</b>	<b>820010P</b>	<b>O-ring (25 pk)</b>
17----	AP2033	Crown
18----	127605	Valve Body
<b>19----</b>	<b>129638</b>	<b>MP Seat, Silicone</b>
20----	AP2036	Shuttle Valve
<b>21----</b>	<b>AP2041P</b>	<b>O-ring (10 pk)</b>
22----	AP2021	Spring
23----	127607	Counter-balance Chamber
<b>24----</b>	<b>NLA</b>	<b>Cam</b>
25----	127608	Adjusting Screw
<b>26----</b>	<b>820009P</b>	<b>O-ring (10 pk)</b>
<b>27----</b>	<b>820018P</b>	<b>O-ring (20 pk)</b>
28----	127626	Venturi Lever
<b>29----</b>	<b>820016P</b>	<b>O-ring (10 pk)</b>
30----	127624	Plug
31----	129178	Lever
<b>32----</b>	<b>820011P</b>	<b>O-ring (25 pk)</b>

Part numbers in **BOLD ITALICS** indicate standard overhaul replacement part

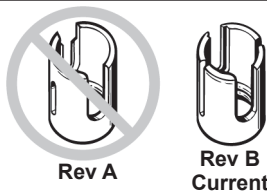
# Micra ADJ

1997-2007 *Discontinued*



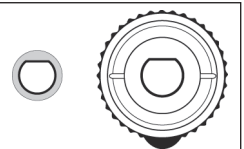
**NOTE 1:**

The Lever Retaining Sleeve (Key #22) was revised in 1997. Be sure to correctly identify the part before reinstalling, and replace with new if found to be a Revision A part. (Refer to Technical Bulletin No. 10, dated August 15, 1997.)



**NOTE 2:**

The Adjustment Screw (Key #22) and Knob (Key #26) were revised and are now keyed for easier alignment. It will be necessary to order both parts when replacing one which is not the current revision.



Key #	Part #	Description
-------	--------	-------------

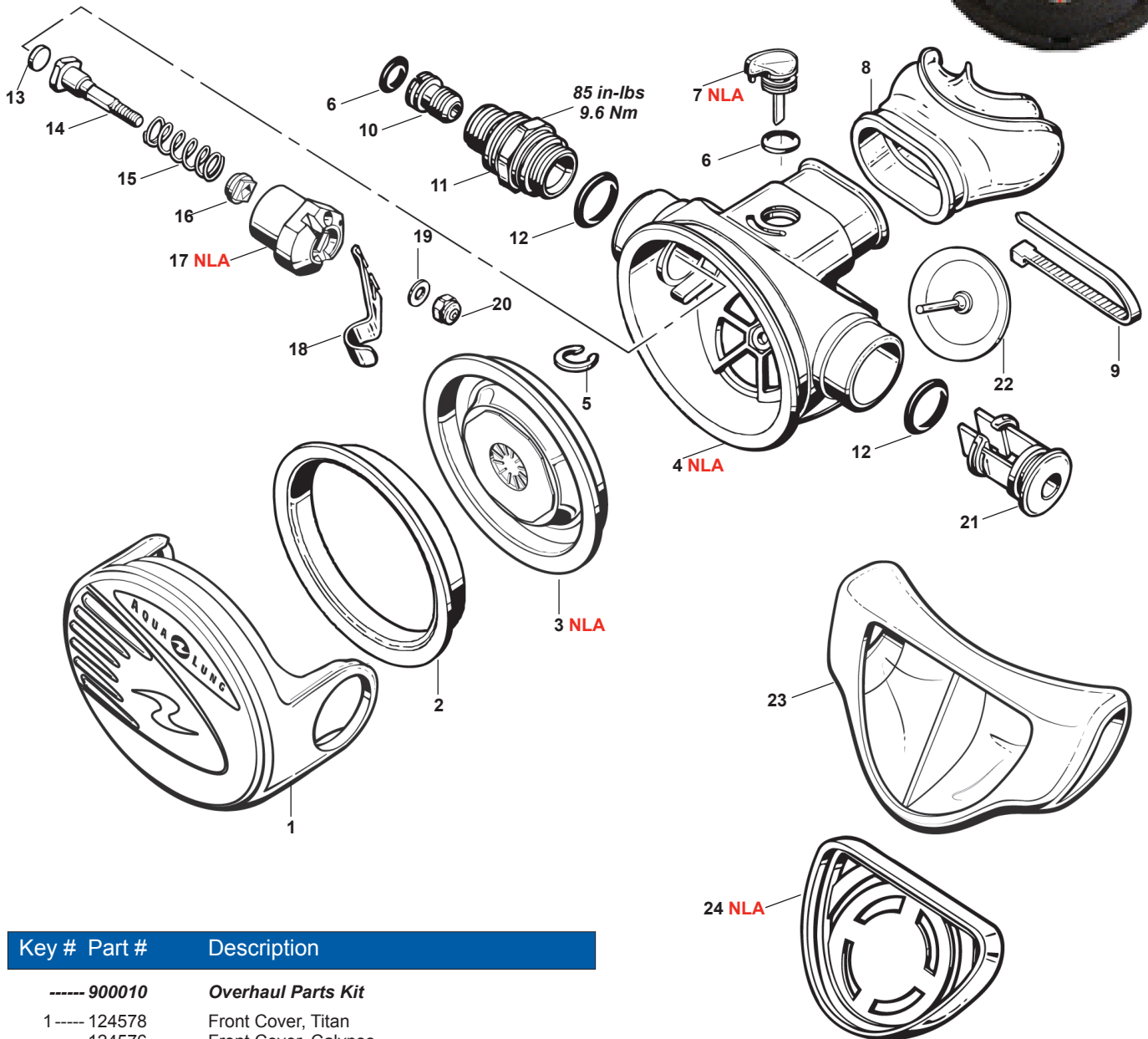
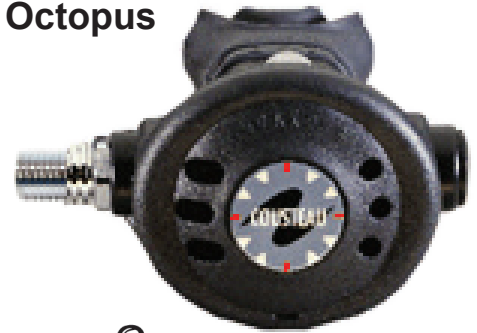
- **900003**      **Overhaul Parts Kit**
- 1 ---- 100862      Color Ring - Silver
- 2 ---- 100119      Retaining Ring
- 3 ---- **NLA**          Purge Cover
- 4 ---- 100181      Demand Diaphragm
- 5 ---- 100856      Leve
- 6 ---- 100143      Box Bottom
- 7 ---- **820010P**      **O-ring (25 pk)**
- 8 ---- 100108      Vane Adjustment Switch
- 9 ---- 860137      C-Clip
- 10 ---- 105838      Mouthpiece, Comfo Snap-on, Standard
- 105848      Mouthpiece, Comfo Snap-on, Small
- 105831      Mouthpiece, Snap-on, Octopus
- 11 ---- **104913**      **Clamp, Black**
- 12 ---- 100103      Hose Protector, Black
- 13 ---- 100128      Adjustable Crown

Key #	Part #	Description
-------	--------	-------------

- 14 ---- 100136      Hex Nut, 3/4"
- 15 ---- **820314**      **O-ring**
- 16 ---- 100845      Valve Body
- 17 ---- **108510**      **MP Seat**
- 18 ---- 100843      Poppet
- 19 ---- 100132      Pin
- 20 ---- 108515      Spring
- 21 ---- 100853      Washer
- 22 ---- 100888      Lever Retaining Sleeve & Adjustment Screw
- 23 ---- **820008**      **O-ring**
- 24 ---- **820016P**      **O-ring (10 pk)**
- 25 ---- 100841      Cap Nut
- 26 ---- 100872      Adjustment Knob
- 27 ---- 100854      Pin
- 28 ---- 100122      Exhaust Valve Diaphragm
- 29 ---- 100109      Exhaust Cover, Original
- 100110      Exhaust Cover, Swept Back

Part numbers in **BOLD ITALICS** indicate standard overhaul replacement part

**Titan • Cousteau • Calypso • Partner • Octopus**  
**1998-2004 Discontinued**



**Key # Part # Description**

-----	<b>900010</b>	<b>Overhaul Parts Kit</b>
1----	124578	Front Cover, Titan
-----	124576	Front Cover, Calypso
-----	124577	Front Cover, Octopus/Partner
2----	124509	Sealing Ring
3----	<b>NLA</b>	Diaphragm
4----	<b>NLA</b>	Box Bottom
5----	860137	Circlip
6----	<b>820010P</b>	<b>O-ring (25 pk)</b>
7----	<b>NLA</b>	Vane Adjustment Switch
8----	109438	Mouthpiece, Comfo Bite
-----	104138	Mouthpiece, Octopus
9----	<b>104913</b>	<b>Clamp</b>
10----	100128	Crown
11----	104106	Inlet Fitting
12----	<b>820015P</b>	<b>O-ring (10 pk)</b>

**Key # Part # Description**

13----	<b>106738</b>	<b>MP Seat</b>
14----	104122	Poppet
15----	104127	Spring
16----	<b>104134</b>	<b>Poppet Bearing</b>
17----	<b>NLA</b>	Valve Insert
18----	104108	Lever
19----	104129	Washer
20----	<b>102510</b>	<b>Locknut</b>
21----	104112	End Plug
22----	107822	Exhaust Diaphragm
23----	104102	Exhaust Tee
24----	<b>NLA</b>	Exhaust Cover, Yellow, Octopus

Part numbers in **BOLD ITALICS** indicate standard overhaul replacement part.

## Aqua Lung Common Regulator Spares

## Regulator Service Kits

## Part # Description

**FIRST STAGE KITS**

900000--- Cousteau/SEA/Spectrum, First Stage  
 900001--- Titan(<2009)/Conshelf, First Stage  
 900002--- Calypso/Aquarius/Mirage, First Stage  
 900014--- Mikron/Titan(2010>),Legend non-ACD, First Stage  
 900015--- Calypso (2004>) First Stage  
 900017--- Legend ACD, First Stage  
 900018--- Core/Kronos/Titan LX ACD, First Stage  
 42631 ---- Pioneer/SQ Century, Yoke and DIN (oil not incl.)  
 42626 ---- SQ Infinity

**SECOND STAGE KITS**

900003--- Micra ADJ/Micra RH, Second Stage  
 900009--- Impulse/Impulse Cryo/XR2, Second Stage  
 900010--- Titan/Calypso/ABS/LPO/Glacia, Second Stage  
 900013--- Conshelf, Second Stage  
 900021--- Airsource III  
 900023--- Legend, Core, Titan LX, Kronos, Mikron Second Stages  
 42608 ---- Air Source II  
 42628 ---- Sea Quest XL, Second Stage

**COMPLETE KITS:**

900016--- Mistral (complete)

## Hose Protectors &amp; Thread Adapters

## Part # Description

101785 --- Adapter, HP, 7/16" Female to 3/8" Male  
 128624 --- Service Date Sleeve  
 124570 --- Hose Protector, Aqua Lung, Std Hose, Black  
 127859 --- Hose Protector, Aqua Lung, Braided Hose, Black

## Regulator MP Hoses Aqua Lung

## Part # Description

129807 --- Hose, MP,Braided, 3/8 x 29 Black, w/2Protectors (2012 Legend)  
 129681 --- Hose, MP,Braided, 3/8 x 39 Yellow, w/2Protectors (2012 Leg Octo)  
 APF124563 Hose, MP, Primary, 3/8 x 30 w/Protector  
 APF124565 Hose, MP, Primary, 1/2 x 30 w/Protector  
 APF124566 Hose, MP, Octopus, 3/8 x 39 w/Protector, Yellow  
 129343 --- Hose, MP, w/Heat x,3/8 x 30 Blk (Glacia)  
 129352 --- Hose, MP, w/Heat x,3/8 x 36, Yellow Glacia)  
 125932 --- Hose, MP, Mistral 630mm  
 125934 --- Hose, MP, Mistral 245mm  
 129861 --- Hose, MP, Aquaflex, Braided, 3/8 x 30 Black (Mikron)  
 129862 --- Hose, MP, Aquaflex, Braided, 3/8 x 39 Yellow (Mikron)  
 128619 --- Hose, MP, w/QC, 3/8 x 30 Black (Titan QC/Calypso QC)  
 128620 --- Hose, MP, w/QC, 3/8 x 39 Yellow (Titan QC Octo)  
 090015 --- Hose, MP, Primary, 3/8 x 30  
 090025 --- Hose, MP, Octopus, 3/8 x 39

## DIN/Yoke Adapters &amp; ACD Conversions

## Part # Description

**LEGEND**

129021 ---DIN ACD Adapter, Legend ACD (2013>)  
*For use on current Legend with body loaded filter (See Technical Bulletin #38)*  
 129803 ---DIN ACD Adapter, Legend ACD (2012)  
*For use on current Legend with inlet fitting loaded filter (See Technical Bulletin #38)*  
 129227 ---DIN ACD Conversion Kit, Legend (<2011)  
*Converts original non-ACD Legend in Yoke or DIN to ACD DIN*  
 129226 ---Yoke ACD Conversion Kit, Legend (<2011)  
*Converts original non-ACD Legend in Yoke to ACD Yoke. Uses original Yoke & Yoke Screw*

**CORE**

129946 ---DIN ACD Adapter, Core ACD

**MIKRON**

129022 ---DIN Adapter, non-ACD, Mikron (2013>)  
*For use on current Mikron with body loaded filter. (See Technical Bulletin #38)*  
 127865 ---DIN Adapter, non-ACD, Mikron (2010-12)  
*For use on current Mikron with inlet fitting loaded filter. (See Technical Bulletin #38)*

**TITAN**

129022 ---DIN Adapter, non-ACD, Titan (2013>)  
*For use on current Titan with body loaded filter. (See Technical Bulletin #38)*  
 129946 ---DIN ACD Conversion, Core/Titan (2013>)  
*Converts non-ACD Titan in Yoke or DIN to ACD DIN*  
*For use on current Titan with body loaded filter. (See Technical Bulletin #38)*  
 128545 ---DIN Adapter, non-ACD, Titan (2010-12)  
*For use on current Titan with inlet fitting loaded filter. (See Technical Bulletin #38)*  
 128142 ---DIN ACD Conversion, Titan (2010-12)  
*Converts non-ACD Titan in Yoke or DIN to ACD DIN*  
*For use on current Titan with inlet fitting loaded filter. (See Technical Bulletin #38)*  
 129226 ---Yoke ACD Conversion Kit, Titan (2010-12)  
*Converts non-ACD Titan Yoke to ACD Yoke. Uses original Yoke & Yoke Screw*  
*For use on current Titan with inlet fitting loaded filter. (See Technical Bulletin #38)*

**DISCONTINUED MODELS****TITAN LX**

129946 ---DIN ACD Adapter, Titan LX ACD (2013>)  
*For use on current Titan LX with body loaded filter. (See Technical Bulletin #38)*  
 128142 ---DIN ACD Adapter, Titan LX ACD (2009-12)  
*For use on current Titan LX with inlet fitting loaded filter. (See Technical Bulletin #38)*

103172 ---DIN Adapter, Titan/Mistral (<2009)

107455 ---DIN Adapter, SE3/SE2/Conshelf14

125237 ---DIN to Yoke Converter

## Silicone Mouthpieces

## Part # Description

109438 --- Comfo-bite (Black), Core,Titan LX/Legend/Kronos/Mikron/Glacia  
 127826 --- Comfo-bite (Black,Small), Mikron  
 104138 --- Black w/Bite Tabs, Core,Titan/Legend/Kronos/Mikron/Glacia/Octo  
 105838 --- Comfo-bite (Clear), Micra  
 105848 --- Comfo-bite (Clear, Small), Micra/Conshelf 22/ SEA4/SE3  
 105831 --- Black w/Bite Tabs, LPO/Micra  
 105885 --- Comfo-bite (Black), Conshelf XIV  
 105879 --- Black w/Bite Tabs, Conshelf XIV  
 109512 --- Lip Shield, Supreme models

## Apeks Common Regulator Spares

### Regulator Service Kits

Part #	Description
--------	-------------

**FIRST STAGE KITS:**

AP0241/AA--Apeks Diaphragm First Stage  
 AP0227/AA--Apeks Status First Stages  
 AP0250--- Apeks Flight First Stage

**SECOND STAGE KITS:**

AP0219/AA--Apeks Second Stages  
 AP0219R--Apeks Second Stage, Military  
 AP0254--- Apeks Flight Second Stage

### DIN/Yoke Adapters

Part #	Description
--------	-------------

AP0211BS- DIN Adapter, Black Sapphire  
 AP0620--- DIN Adapter, Co-molded Handwheel  
 AP0211-----DIN Adapter, Chrome  
 AP0211/S--DIN Adapter, Satin  
 AP0371-----DIN Adapter, Flight  
 AP0195----DIN to Yoke Converter

### Hose Protectors & Thread Adapters

Part #	Description
--------	-------------

101785 --- Adapter, HP, 7/16" Female to 3/8" Male  
 AP1461--- Hose Protector, Apeks, Black (Std & Flex Hose)  
 AP1461Y--Hose Protector, Apeks, Yellow (Std & Flex Hose)  
 AP6236 ---Hose Protector, Apeks, Black (Flight)  
 AP6236Y--Hose Protector, Apeks, Yellow (Flight)

### Accessories

Part #	Description
--------	-------------

AP0480K--Apeks Regulator Necklace  
 AP0274--- 5th Port Upgrade Kit, XTX50  
 AP02741--5th Port Upgrade Kit, XTX200/100

### Regulator MP Hoses Apeks

Part #	Description
--------	-------------

AP0198DSW--Hose, MP, Flex, Double Swivel, 3/8 x 30"  
 AP0199DSW--Hose, MP, Flex, Double Swivel, Octopus, 3/8 x 36"  
 AP0203-----Hose, MP, Primary, 1/2 x 30"  
 AP0203/S-----Hose, MP, Primary, Satin, 1/2 x 30"  
 AP0203/1-----Hose, MP, Primary, 3/8 x 30"  
 AP0206-----Hose, MP, Octopus, Yellow, 3/8 x 36"  
 AP0198-----Hose, MP, Flex, Primary, 3/8 x 30"  
 AP0199-----Hose, MP, Flex, Yellow, 3/8 x 36"  
 AP02031-----Hose, MP, 3/8 x 2 Meter (Tec 3)  
 AP0200-----Hose, MP, Flex, Primary, 3/8 x 29" (Flight)  
 AP0201-----Hose, MP, Flex, Yellow, 3/8 x 36" (Flight)  
 AP0249-----Service Kit, Swivel Hose

### Silicone Mouthpieces

Part #	Description
--------	-------------

AP5324K--Comfo-bite, Black, Apeks  
 AP5324G--Comfo-bite, Green, Apeks  
 127826 --- Comfo-bite, Black, Small  
 109512 --- Lip Shield

### Sidemount Regulator Accessories

Part #	Description
--------	-------------

AP0146180IMP-SPG,w/Hose 6" Imperial  
 AP0146180-----SPG, w/Hose, 6" Metric  
 AP5747IMP-----SPG Module, Imperial,Black Face  
 AP5747-----SPG Module, Metric,Black Face  
 AP0189NHP-----Hose, Reg, Braided, Black, 3/8 x 24"  
 AP0198NHP-----Hose, Reg, Braided, Black, 3/8 x 83"  
 AP0137NHP-----Hose, Inflator, Braided, Black, 3/8 x 8"  
 AP0903K ---Fitting, 90° Fixed Elbow  
 AP1000K-----Bolt Snap, S/S, Single, 75mm

## Flight 2010-Present



Key #	Part #	Description
-------	--------	-------------

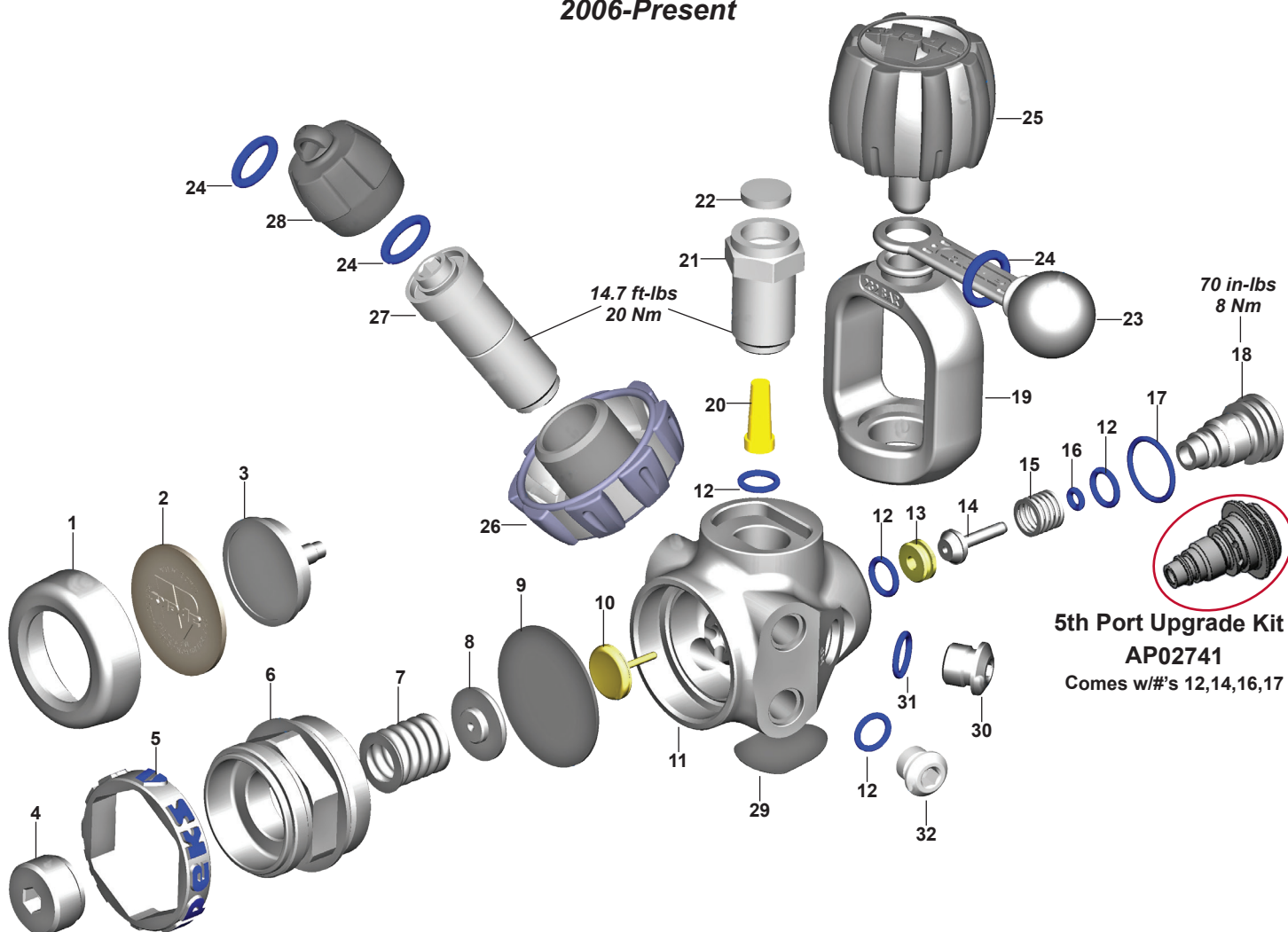
- |         |                |  |
|---------|----------------|--|
| -----   | <b>AP0250</b>  | <b>Service Kit, Flight First Stage</b>     |
| -----   | AP0810         | Flight, First Stage only, w/Yoke, Pewter   |
| -----   | AP0810P        | Flight, First Stage only, w/Yoke, Pink     |
| -----   | AP0810TL       | Flight, First Stage only, w/Yoke, Twilight |
| -----   | AP0371         | DIN Connector                              |
| 1 ----  | AP5753         | Spring Adjuster                            |
| 2 ----  | AP5754         | MP Spring                                  |
| 3 ----  | AP5755         | Spring Carrier                             |
| 4 ----  | AP5752         | Diaphragm Clamp, Composite                 |
| 5 ----  | <b>NLA</b>     | Rubber Ring                                |
| 6 ----  | <b>AP5756</b>  | <b>Diaphragm</b>                           |
| 7 ----  | AP5757         | Splitter                                   |
| 8 ----  | AP5717         | Valve Lifter                               |
| 9 ----  | AP5758         | Body                                       |
| 10 ---- | AP5751         | Jacket, Pewter                             |
| -----   | AP5751G        | Jacket, Green                              |
| -----   | AP5751P        | Jacket, Pink                               |
| -----   | AP5751TL       | Jacket, Twilight                           |
| 11 ---- | <b>AP1409P</b> | <b>O-ring (10 pk)</b>                      |
| 12 ---- | AP1408         | Blanking Plug, 3/8" MP Port                |
| 13 ---- | <b>AP1445P</b> | <b>O-ring (10 pk)</b>                      |

Key #	Part #	Description
-------	--------	-------------

- |         |                |                              |
|---------|----------------|------------------------------|
| 14 ---- | AP1413         | Blanking Plug, 7/16" HP Port |
| 15 ---- | <b>AP5759</b>  | <b>HP Valve</b>              |
| 16 ---- | AP1415         | Spring                       |
| 17 ---- | <b>AP1299P</b> | <b>O-ring (10 pk)</b>        |
| 18 ---- | <b>AP1298P</b> | <b>O-ring (10 pk)</b>        |
| 19 ---- | AP5750         | Hood                         |
| 20 ---- | AP0168         | Yoke Connector               |
| 21 ---- | <b>AP5769</b>  | <b>Filter, Yoke</b>          |
| 22 ---- | AP5768         | Circlip                      |
| 23 ---- | AP5695         | Plastic Clip                 |
| 24 ---- | AP5766         | Yoke Clamp                   |
| 25 ---- | AP5767         | Yoke Cover                   |
| 26 ---- | AP5714         | Dust Cap                     |
| 27 ---- | <b>AP1166P</b> | <b>O-ring (10 pk)</b>        |
| 28 ---- | AP5716         | Yoke Knob                    |
| 29 ---- | AP5713         | Handwheel Hex Axle           |
| 30 ---- | AP5770         | Decal                        |
| 31 ---- | AP0163         | DIN Connector                |
| 32 ---- | AP6201         | DIN Handwheel                |
| 33 ---- | <b>AP5763</b>  | <b>Filter, DIN</b>           |
| 34 ---- | AP5764         | DIN Bolt                     |
| 35 ---- | AP6202         | Dust Cap                     |

Part numbers in **BOLD ITALICS** indicate standard overhaul replacement part.

# XTX200 2006-Present



**5th Port Upgrade Kit  
AP02741**  
Comes w/#'s 12,14,16,17

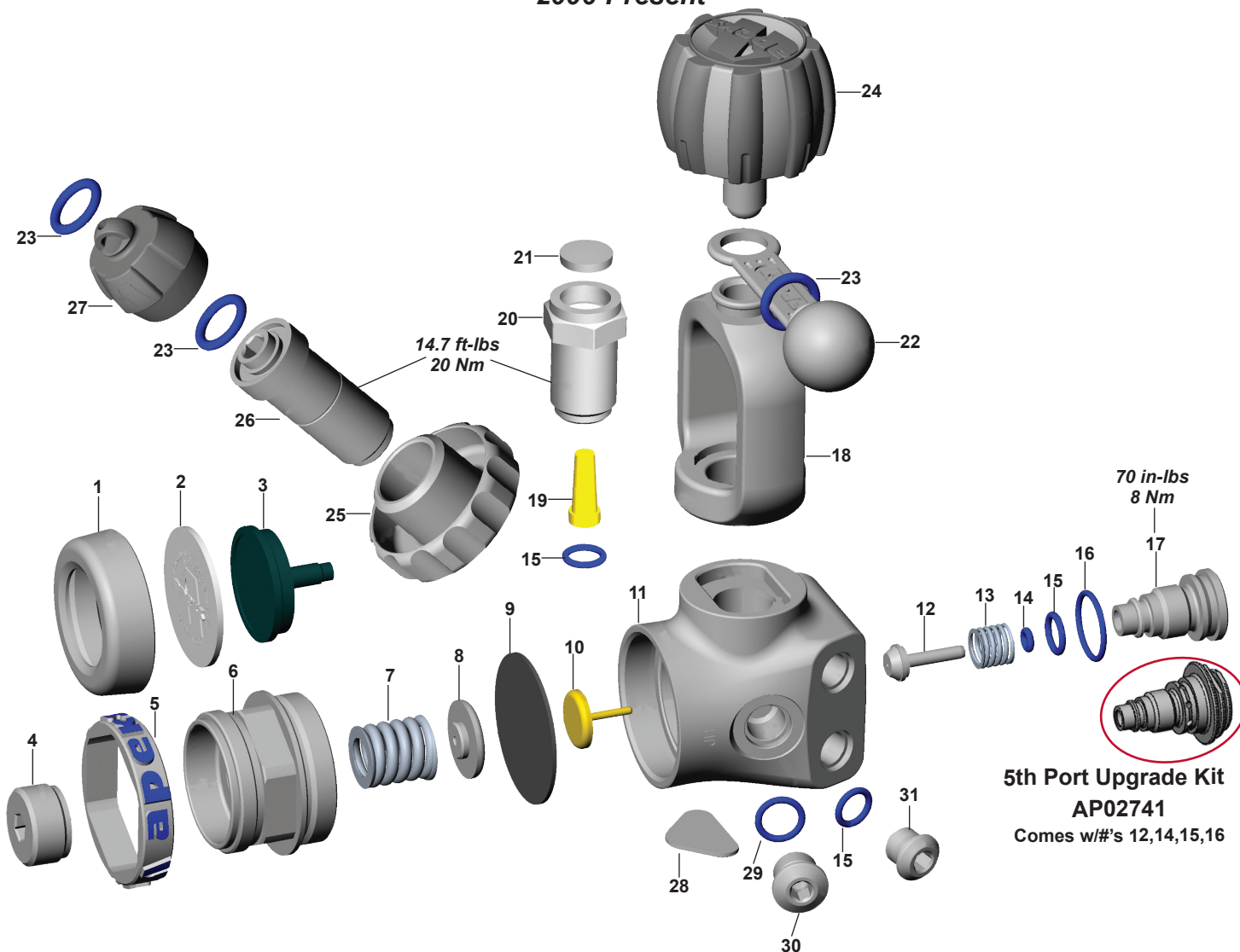
**NOTE:** For 2013, the XTX200 body (11) was changed to fit a new body decal (29). If ordering the new 2013 body make sure to order the 2013 decal for a proper fit.

Key #	Part #	Description	Key #	Part #	Description
-----	<b>AP0241/AA</b>	<b>Service Kit, Diaphragm First Stage</b>	13 ----	AP5721	Removable HP Valve Seat (Crown)
-----	AP0363F	XTX200, First Stage only, w/Yoke	<b>14 ----</b>	<b>AP1419</b>	<b>HP Valve</b>
-----	AP0363F1	XTX200, First Stage only, w/DIN	15 ----	AP1415	Spring
-----	AP0620	DIN Connector, Comolded, Tungsten, XTX	<b>16 ----</b>	<b>AP1299P</b>	<b>O-ring (10 pk)</b>
-----	AP02741	5th Port Upgrade Kit, XTX only	<b>17 ----</b>	<b>AP1300P</b>	<b>O-ring (10 pk)</b>
1 ----	AP1484	Environmental End Cap, Chrome, XTX	18 ----	AP5309B	HP Balance Plug, Chrome, XTX, Tungsten
-----	AP1484PVDS	Environmental End Cap, PVD, Tungsten	19 ----	AP1403	Yoke Clamp, Chrome, XTX
2 ----	AP1482F1	Hydrostatic Diaphragm, XTX (3-color)	-----	AP1403PVDS	Yoke Clamp, PVD, Tungsten
-----	AP14821	Hydrostatic Diaphragm, XTX	<b>20 ----</b>	<b>AP1472</b>	<b>Conical Filter</b>
-----	AP7309	Hydrostatic Diaphragm, Tungsten	21 ----	AP1407	Yoke Clamp Connector, Chrome, XTX, Tungsten
3 ----	AP1483	Hydrostatic Transmitter	<b>22 ----</b>	<b>AP1406/1</b>	<b>Filter Guard</b>
4 ----	AP1474	Spring Adjuster	23 ----	AP1404	Protective Cap
5 ----	AP5725	Molded Logo Ring, XTX	<b>24 ----</b>	<b>AP1166P</b>	<b>O-ring (10 pk)</b>
6 ----	AP14731	Diaphragm Clamp, Chrome, XTX	25 ----	AP1402	Yoke Clamp Screw, Comolded
7 ----	AP1475	Spring	26 ----	AP6201	Handwheel, 300 Bar, XTX, Tungsten
8 ----	AP1476	Spring Carrier	27 ----	AP1471	Handwheel Connector, Chrome, XTX, Tungsten
<b>9 ----</b>	<b>AP1478</b>	<b>Diaphragm</b>	28 ----	AP6202	Protective Cap, DIN
10 ----	AP5722	Valve Lifter	29 ----	AP63081200	Decal, Body, XTX200 (2013)
11 ----	AP5101F	Body, Chrome, XTX (2013)	-----	AP5723	Decal, Body, XTX200
-----	AP5101	Body, Chrome, XTX	-----	AP6239F	Decal, Body, XTX Tungsten (2013)
-----	AP5101FPVDS	Body, XTX Tungsten (2013)	-----	AP6239	Decal, Body, XTX Tungsten
-----	AP5101PVDS	Body, XTX Tungsten	30 ----	AP1413	7/16" HP Blanking Plug
<b>12 ----</b>	<b>AP1409P</b>	<b>O-ring (10 pk)</b>	<b>31 ----</b>	<b>AP1445P</b>	<b>O-ring (10 pk)</b>
			32 ----	AP1408	3/8" MP Blanking Plug

Part numbers in **BOLD ITALICS** indicate standard overhaul replacement part.

# XTX100

## 2006-Present



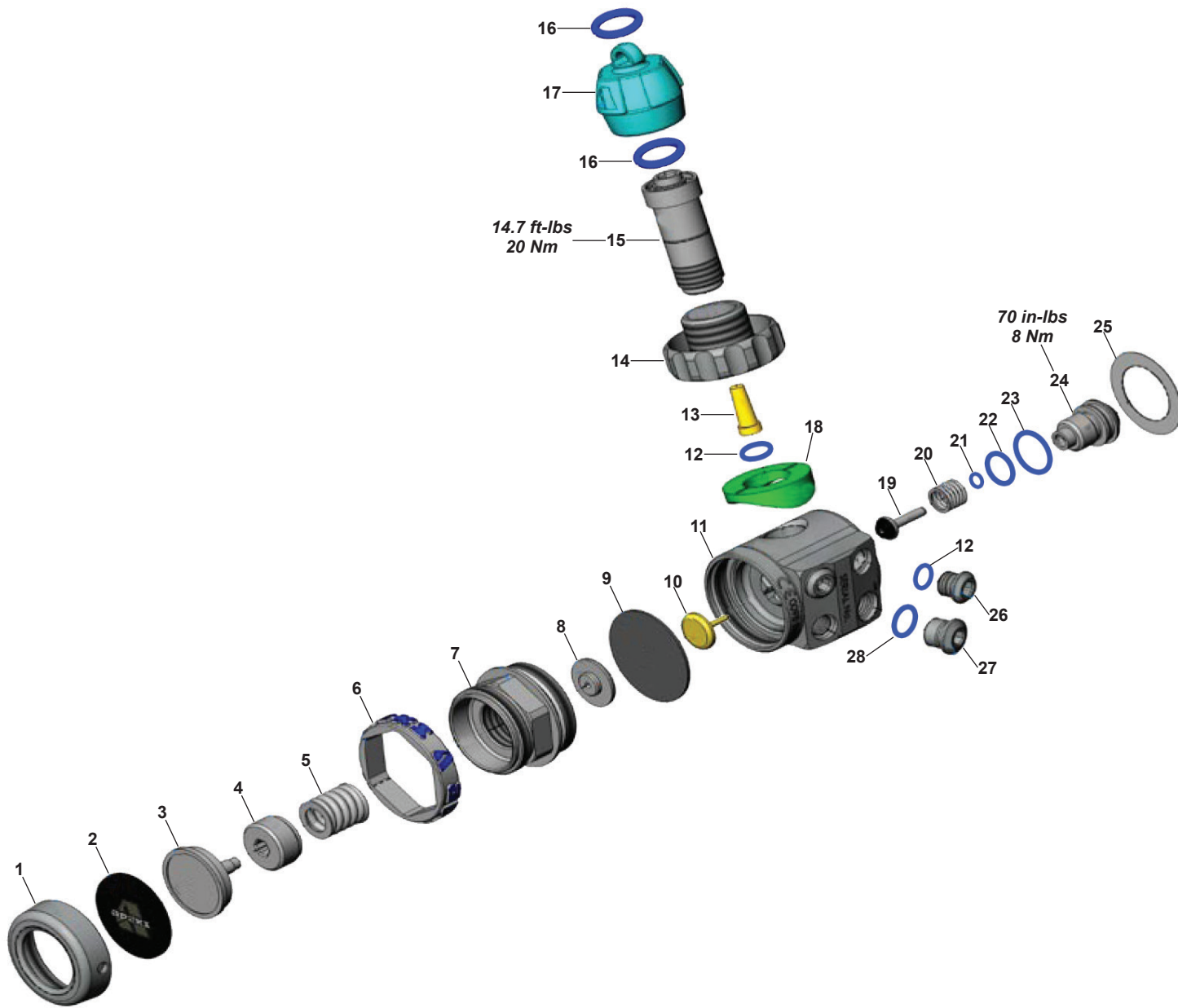
**5th Port Upgrade Kit**  
**AP02741**  
 Comes w/#'s 12,14,15,16

**NOTE:** For 2013, the XTX 100 body (11) was changed to fit a new body decal (28). If ordering the new 2013 body make sure to order the 2013 decal for a proper fit.

Key #	Part #	Description	Key #	Part #	Description
-----	<b>AP0241/AA</b>	<b>Service Kit, Diaphragm First Stage</b>	<b>14</b> ----	<b>AP1299P</b>	<b>O-ring (10 pk)</b>
-----	AP0362F	XTX100, First Stage only, w/Yoke	<b>15</b> ----	<b>AP1409P</b>	<b>O-ring (10 pk)</b>
-----	AP0211/S	DIN Connector	<b>16</b> ----	<b>AP1300P</b>	<b>O-ring (10 pk)</b>
-----	AP02741	5th Port Upgrade Kit, XTX only	17 ----	AP5309	HP Balance Plug
1 ----	AP1484/S	Environmental End CAP	18 ----	AP1403/S	Yoke Clamp
2 ----	AP1482F1	Hydrostatic Diaphragm, XTX (3-color)	<b>19</b> ----	<b>AP1472</b>	<b>Conical Filter</b>
----	AP14821	Hydrostatic Diaphragm, XTX	20 ----	AP1407/S	Yoke Clamp Connector
3 ----	AP1483	Hydrostatic Transmitter	<b>21</b> ----	<b>AP1406/1</b>	<b>Filter Guard</b>
4 ----	AP1474	Spring Adjuster	22 ----	AP1404	Protective CAP
5 ----	AP5725	Molded Logo Ring, XTX	<b>23</b> ----	<b>AP1166P</b>	<b>O-ring (10 pk)</b>
6 ----	AP14731	Diaphragm Clamp, XTX	24 ----	AP1402	Yoke Clamp Screw, Comolded
7 ----	AP1475	Spring	25 ----	AP1470/S	Handwheel 300 bar
8 ----	AP1476	Spring Carrier	26 ----	AP1471/S	Handwheel Connector
<b>9</b> ----	<b>AP1478</b>	<b>Diaphragm</b>	27 ----	AP6202	Protective DIN CAP
10 ----	AP1479	Valve Lifter	28 ----	AP6308100	Decal, Body (2013)
11 ----	AP5102F	Body, FST, 3/8" MP Port, XTX (2013)	-----	AP5014	Decal, Body
----	AP5102	Body, FST, 3/8" MP Port, XTX	<b>29</b> ----	<b>AP1445P</b>	<b>O-ring (10 pk)</b>
<b>12</b> ----	<b>AP1419</b>	<b>HP Valve</b>	30 ----	AP1413	7/16" HP Blanking Plug
13 ----	AP1415	Spring	31 ----	AP1408	3/8" MP Blanking Plug

Part numbers in **BOLD ITALICS** indicate standard overhaul replacement part.

**TEK 3**  
2007-Present

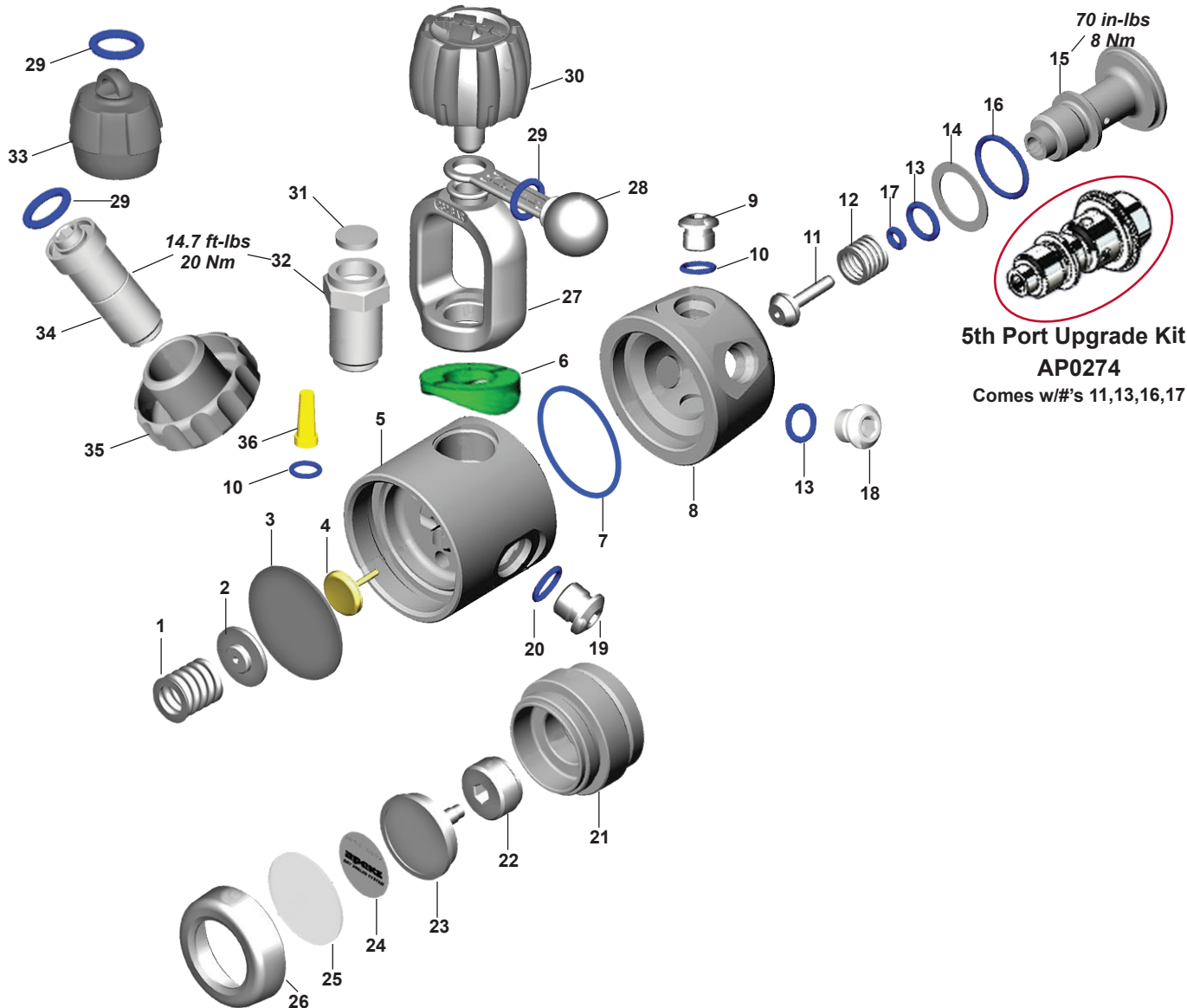


Key #	Part #	Description
-----	<b>AP0241/AA</b>	<b>Service Kit, Diaphragm First Stage</b>
-----	AP0367-1	TEK3 First Stage Set
-----	AP0211	DIN Connector
1----	AP1484	Environmental End Cap, Chrome
2----	AP14821	Hydrostatic Diaphragm
3----	AP1483	Hydrostatic Transmitter
4----	AP1474	Spring Adjuster
5----	AP1475	Spring
6----	AP5725	Molded Logo Ring
7----	AP14731	Diaphragm Clamp, Chrome
8----	AP1476	Spring Carrier
<b>9----</b>	<b>AP1478</b>	<b>Diaphragm</b>
10----	AP1479	Valve Lifter
11----	AP5104	TEK3 LH Valve Body
----	AP5105	TEK3 RH Valve Body
<b>12----</b>	<b>AP1409P</b>	<b>O-ring (10 pk)</b>

Key #	Part #	Description
<b>13----</b>	<b>AP1472</b>	<b>Conical Filter</b>
14----	AP1470	DIN Handwheel, Chrome
15----	AP1471	Handwheel Connector, Chrome
<b>16----</b>	<b>AP1166P</b>	<b>O-ring (10 pk)</b>
17----	AP6202	DIN Protective Cap
18----	AP1446	Distance Piece
<b>19----</b>	<b>AP1419</b>	<b>HP Valve</b>
20----	AP1415	Spring
<b>21----</b>	<b>AP1299P</b>	<b>O-ring (10 pk)</b>
<b>22----</b>	<b>AP1410P</b>	<b>O-ring (10 pk)</b>
<b>23----</b>	<b>AP1300P</b>	<b>O-ring (10 pk)</b>
24----	AP5202	HP Balance Plug
25----	AP5106	TEK3 Decal
26----	AP1408	3/8" UNF Blanking Plug
27----	AP1413	7/16" UNF Blanking Plug
<b>28----</b>	<b>AP1445P</b>	<b>O-ring (10 pk)</b>

Part numbers in **BOLD ITALICS** indicate standard overhaul replacement part.

**XTX50/40 2006-Present**  
**ATX50/40 2002-2007 Discontinued • TX50 2001 Discontinued**



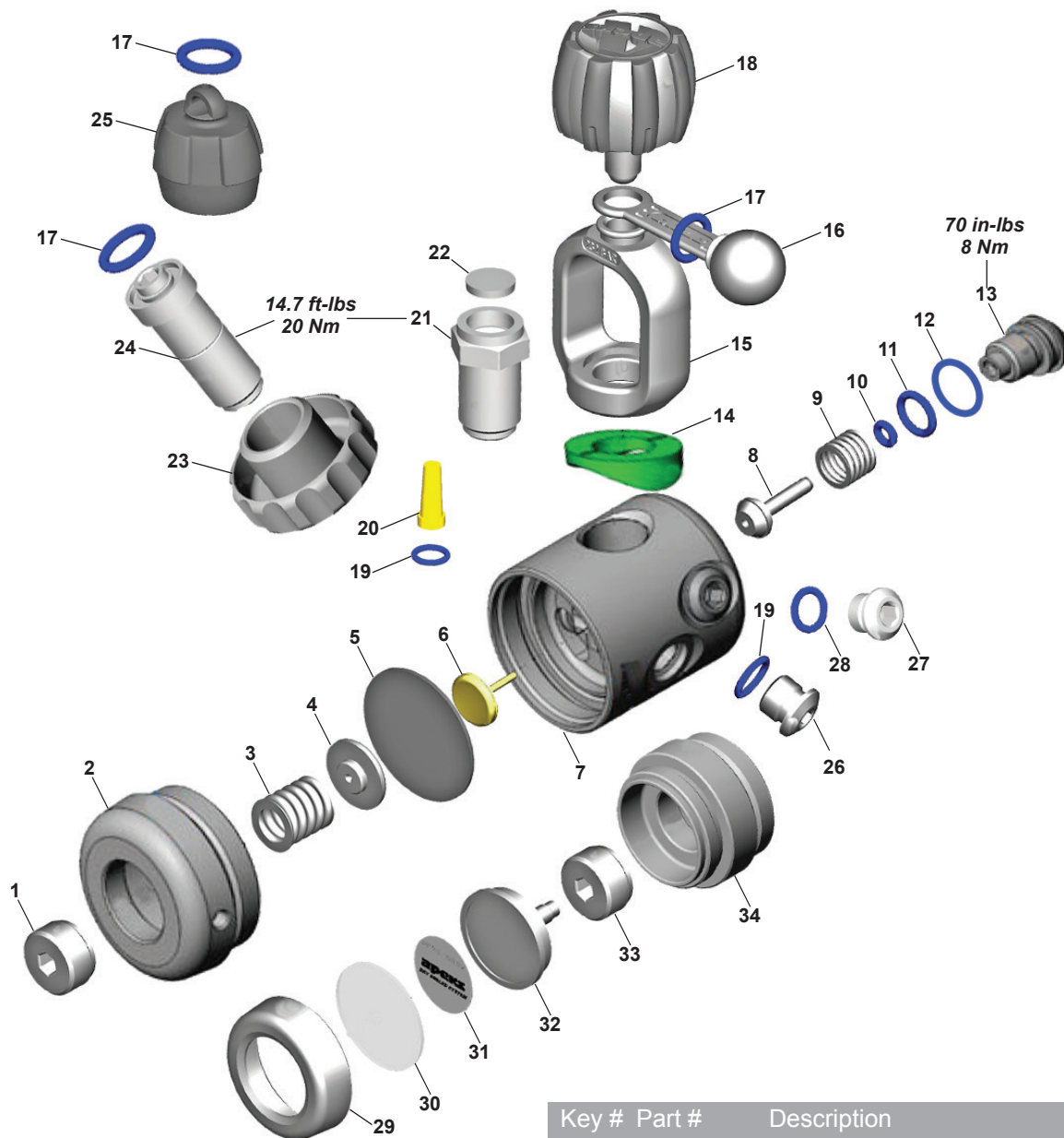
**5th Port Upgrade Kit**  
**AP0274**  
 Comes w/#'s 11,13,16,17

Key #	Part #	Description
-----	<b>AP0241/AA</b>	<b>Service Kit, Diaphragm First Stage</b>
-----	AP0361F	XTX50, First Stage only, w/Yoke
-----	AP0361F1	XTX50, First Stage only, w/DIN
-----	AP0274	5-Port Turret Upgrade Kit
-----	AP0211	Din Connector
1 ----	AP1475	Spring
2 ----	AP1476	Spring Carrier
<b>3 ----</b>	<b>AP1478</b>	<b>Diaphragm</b>
4 ----	AP1479	Valve Lifter
5 ----	AP1480F	Body w/Lazer Graphic
6 ----	AP1446	Distance Piece
<b>7 ----</b>	<b>AP1420P</b>	<b>O-ring (10 pk)</b>
8 ----	AP5103	Turret with 3/8" MP Port, XTX
-----	AP1481	Turret with 1/2" MP Port, ATX/TX
9 ----	AP1408	Blanking Plug 3/8"
<b>10 ----</b>	<b>AP1409P</b>	<b>O-ring (10 pk)</b>
<b>11 ----</b>	<b>AP1419</b>	<b>HP Valve</b>
12 ----	AP1415	Spring
<b>13 ----</b>	<b>AP1410P</b>	<b>O-ring (10 pk)</b>
14 ----	AP1414	Thrust Washer
15 ----	AP1486	Turret Retaining Bolt

Key #	Part #	Description
<b>16 ----</b>	<b>AP1438P</b>	<b>O-ring (10 pk)</b>
<b>17 ----</b>	<b>AP1299P</b>	<b>O-ring (10 pk)</b>
18 ----	AP1487	Blanking Plug 1/2", ATX, TX
19 ----	AP1413	Blanking Plug 7/16"
<b>20 ----</b>	<b>AP1445P</b>	<b>O-ring (10 pk)</b>
21 ----	AP1473	Diaphragm Clamp
22 ---	AP1474	Spring Adjuster
23 ----	AP1483	Hydrostatic Transmitter
24 ----	AP1477F	Decal
<b>25 ----</b>	<b>AP1482</b>	<b>Hydrostatic Diaphragm</b>
26 ----	AP1484	Environmental End Cap
27 ----	AP1403	Yoke Clamp
28 --	AP1404	Protective Cap
<b>29 ----</b>	<b>AP1166P</b>	<b>O-ring (10 pk)</b>
30 ----	AP1402	Yoke Clamp Screw, Comolded
<b>31 ----</b>	<b>AP1406/1</b>	<b>Filter Guard</b>
32 ----	AP1407	Yoke Clamp Connector
33 ----	AP6202	Protective Cap DIN
34 ----	AP1471	Handwheel Connector
35 ----	AP1470	Handwheel 300 Bar
<b>36 ----</b>	<b>AP1472</b>	<b>Conical Filter</b>

Part numbers in **BOLD ITALICS** indicate standard overhaul replacement part.

**XTX20 • AT20 • DS4**  
2002-Present



**Key # Part # Description**

**Key # Part # Description**

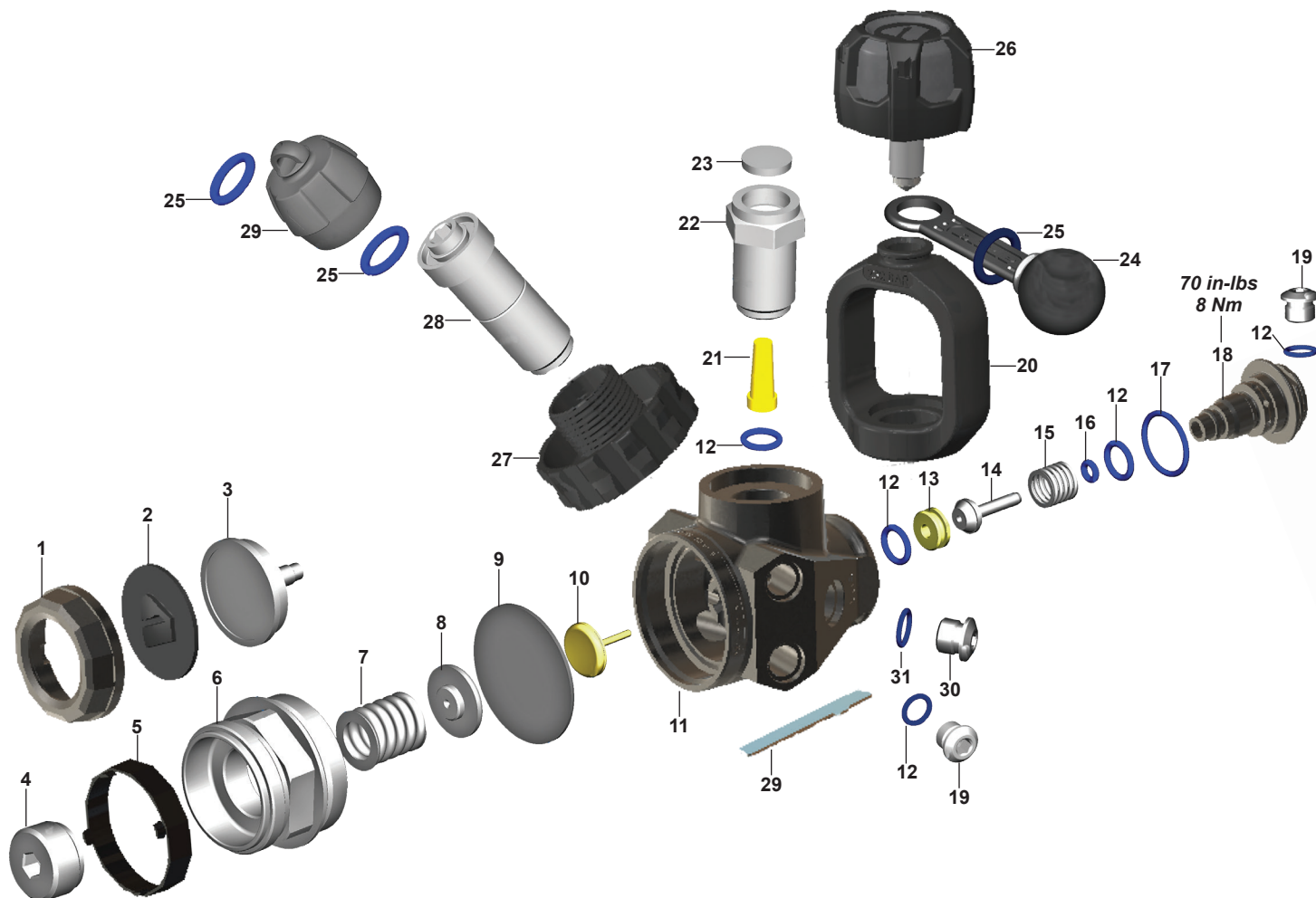
- **AP0241/AA** **Service Kit, Diaphragm First Stages**
- AP0527 DS4 First Stage, Yoke, Dry Kit
- AP0528 DS4 First Stage, DIN, Dry Kit
- AP0517 US4 First Stage, Yoke, w/o Dry Kit
- AP0211 DIN Connector Kit
- 1---- AP14741 Spring Adjuster
- 2---- AP1485 Diaphragm Cap.US4
- 3---- AP1475 Spring
- 4---- AP1476 Spring Carrier
- 5---- AP1478 Diaphragm**
- 6---- AP1479 Valve Lifter
- 7---- AP5201 Body
- 8---- AP1419 HP Valve**
- 9---- AP1415 Spring
- 10---- AP1299P O-ring (10 pk)**
- 11---- AP1410P O-ring (10 pk)**
- 12---- AP1300P O-ring (10 pk)**
- 13---- AP5202 HP Balance Plug

- 14---- AP1446 Distance Piece
- AP1446G Distance Piece, Nitrox, Green
- 15---- AP1403 Yoke Clamp
- 16---- AP1404 Protective Cap
- 17---- AP1166P O-ring (10 pk)**
- 18---- AP1402 Yoke Clamp Screw, Comolded
- 19---- AP1409P O-ring (10 pk)**
- 20---- AP1472 Conical Filter**
- 21---- AP1407 Yoke Clamp Connector
- 22---- AP1406/1 Filter Guard**
- 23---- AP1470 Handwheel 300 Bar, Chrome
- 24---- AP1471 Handwheel Connector, Chrome
- 25---- AP6202 DIN Protective Cap
- 26---- AP1408 3/8" UNF Blanking Plug
- 27---- AP1413 7/16" UNF Blanking Plug
- 28---- AP1445P O-ring (10 pk)**
- 29---- AP1484 Environmental Cap
- 30---- AP1482 Hydrostatic Diaphragm**
- 31---- AP1477F Decal
- AP14771 Decal, Nitrox
- 32---- AP1483 Hydrostatic Transmitter
- 33---- AP1474 Spring Adjuster
- 34---- AP1473 Diaphragm Clamp, DS4

Part numbers in **BOLD ITALICS** indicate standard overhaul replacement part.

## Black Sapphire Series

2015-2016 *Discontinued*

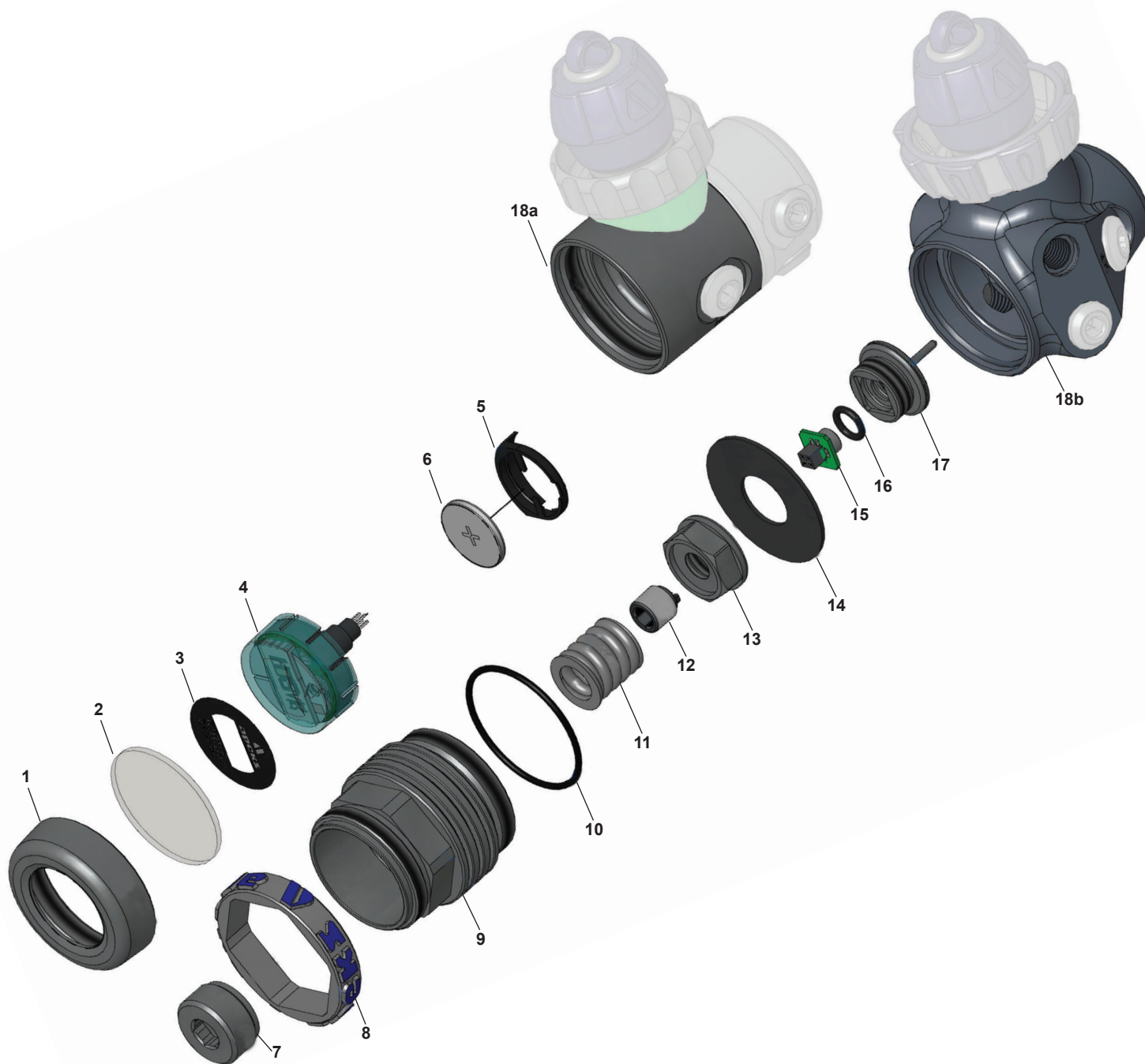


Key #	Part #	Description
-----	<b>AP0241/AA</b>	<b>Service Kit, Diaphragm First Stage</b>
-----	AP0211BS	DIN Connector, 300 Bar
1 ----	AP7308	Environmental End Cap
2 ----	AP7309	Hydrostatic Diaphragm
3 ----	AP1483	Hydrostatic Transmitter
4 ----	AP1474	Spring Adjuster
5 ----	AP7306	Clamp Ring
6 ----	AP14731	Diaphragm Clamp, Chrome, XTX
7 ----	AP1475	Spring
8 ----	AP1476	Spring Carrier
<b>9 ----</b>	<b>AP1478</b>	<b>Diaphragm</b>
10 ----	AP5722	Valve Lifter
11 ----	AP7307	Body, Blk Sapphire
<b>12 ----</b>	<b>AP1409P</b>	<b>O-ring (10 pk)</b>
13 ----	AP5721	Removable HP Valve Seat (Crown)
<b>14 ----</b>	<b>AP1419</b>	<b>HP Valve</b>
15 ----	AP1415	Spring

Key #	Part #	Description
<b>16 ----</b>	<b>AP1300P</b>	<b>O-ring (10 pk)</b>
<b>17 ----</b>	<b>AP1298P</b>	<b>O-ring (10 pk)</b>
18 ----	AP53095BS	5th Port
19 ----	AP1408	3/8" MP Blanking Plug
20 ----	AP1403PVD	Yoke Clamp, Blk Sapphire
<b>21 ----</b>	<b>AP1472</b>	<b>Conical Filter</b>
22 ----	AP1407	Yoke Clamp Connector, Chrome
<b>23 ----</b>	<b>AP1406/1</b>	<b>Filter Guard</b>
24 ----	AP1404	Protective Cap
<b>25 ----</b>	<b>AP1166P</b>	<b>O-ring (10 pk)</b>
26 ----	AP7312	Yoke Clamp Screw
27 ----	AP7310	Handwheel, 300 Bar
28 ----	AP1471	Handwheel Connector, Chrome
29 ----	AP6202	Protective Cap, DIN
29 ----	AP7311	Decal, Body
30 ----	AP1413	7/16" HP Blanking Plug
<b>31 ----</b>	<b>AP1445P</b>	<b>O-ring (10 pk)</b>

Part numbers in **BOLD ITALICS** indicate standard overhaul replacement part.

**Status**  
**2007-2008 Discontinued**



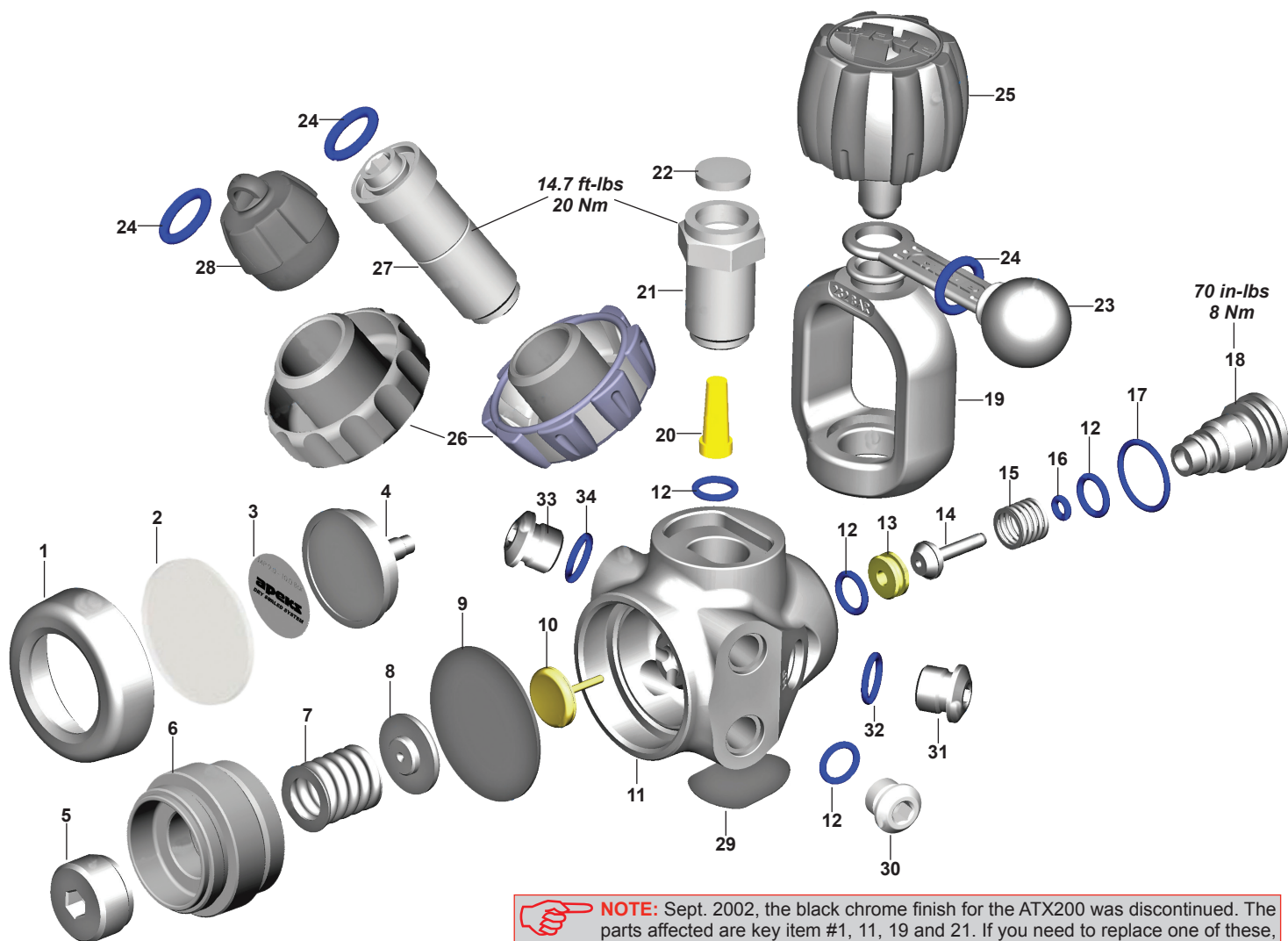
Key #	Part #	Description
-----	<b>AP0227/AA</b>	<b>Service Kit, Status First Stage</b>
-----	AP0228	Electronic Replacement Kit (Includes 3, 4, 6, 15)
1----	AP1484	Environmental End Cap
2----	<b>AP1482</b>	<b>Hydrostatic Diaphragm</b>
3----	AP7510	Status Decal
4----	<b>NLA</b>	Main Electronic Unit
5----	AP7518	Battery Carrier
6----	<b>103105</b>	<b>CR2025 Battery, Coin Cell, Lithium</b>
7----	AP7508	Spring Adjuster
8----	AP5725	Logo Ring
9----	AP7507	Diaphragm Clamp

Key #	Part #	Description
10----	<b>AP7520</b>	<b>O-ring</b>
11----	AP1475	Spring
12----	AP7506	Location Plug
13----	AP7505	Clamping Nut
14----	<b>AP7501</b>	<b>Diaphragm Ring</b>
15----	<b>NLA</b>	Pressure Sensor
16----	<b>AP7502</b>	<b>O-ring</b>
17----	AP7512	Status Valve Lifter (XTX 50)
	AP7500	Status Valve Lifter (XTX 200)
18a---	AP1480F	XTX50 Body w/Lazer Graphic
18b---	AP5101	XTX200 Body

Part numbers in **BOLD ITALICS** indicate standard overhaul replacement part.

# ATX200

**2002-2008 Discontinued**



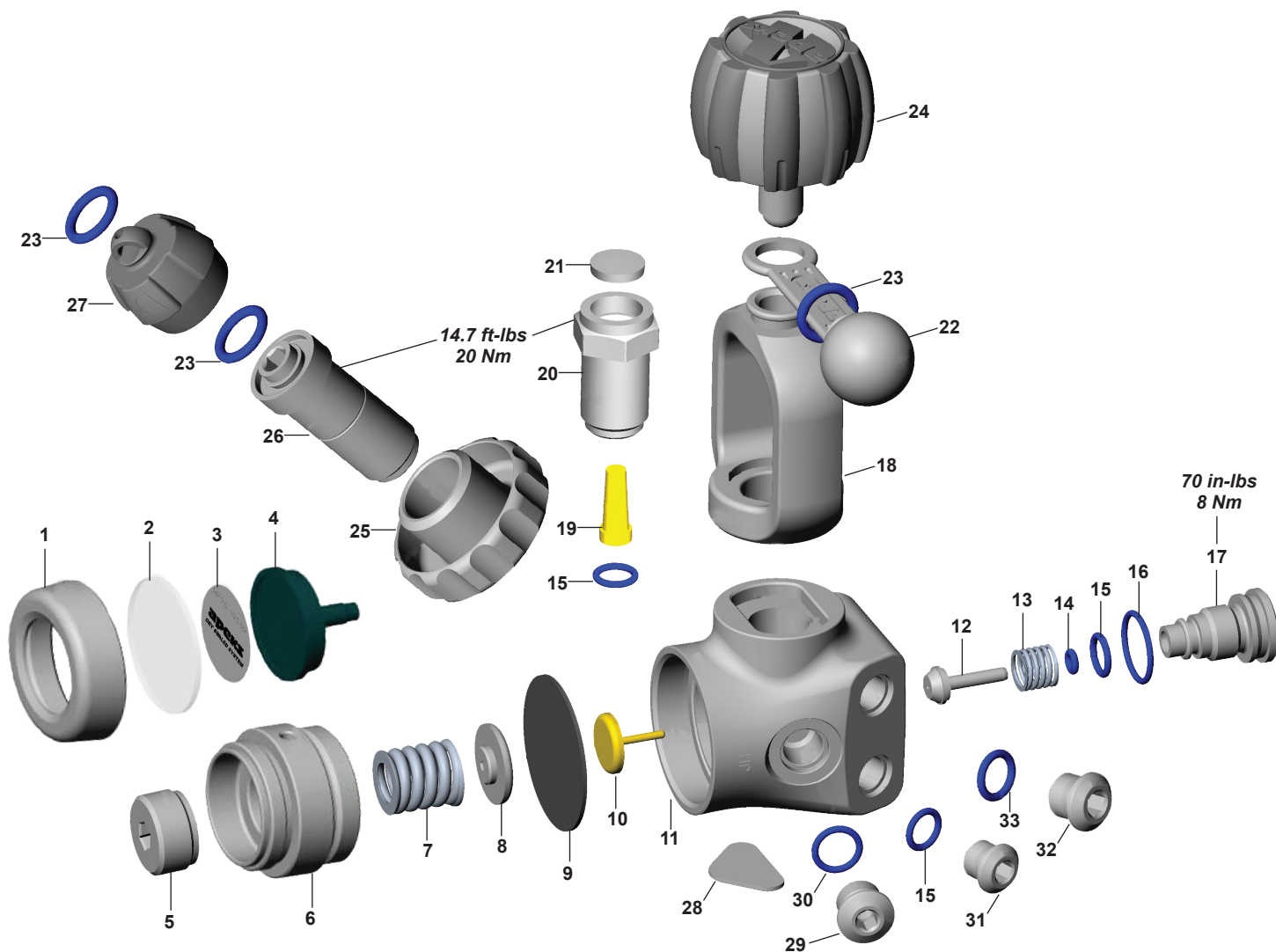
**NOTE:** Sept. 2002, the black chrome finish for the ATX200 was discontinued. The parts affected are key item #1, 11, 19 and 21. If you need to replace one of these, you will need to order the part in satin or chrome finish.

Key #	Part #	Description	Key #	Part #	Description
-----	<b>AP0241/AA</b>	<b>Service Kit, Diaphragm First Stage</b>	18 ----	AP5309	HP Balance Plug, Satin
-----	AP0211/S	DIN Connector, Satin, ATX	-----	AP5309B	HP Balance Plug, Chrome, Tungsten
-----	AP0620	DIN Connector, Comolded, Tungsten	19 ----	AP1403/S	Yoke Clamp, Satin
1 ----	AP1484/S	Environmental End Cap, Satin	-----	AP1403PVDS	Yoke Clamp, PVD, Tungsten
-----	AP1484PVDS	Environmental End Cap, PVD, Tungsten	<b>20 ---- AP1472</b>	<b>Conical Filter</b>	
<b>2 ---- AP1482</b>	<b>Hydrostatic Diaphragm, ATX</b>		21 ----	AP1407/S	Yoke Clamp Connector, Satin
-----	AP14821	Hydrostatic Diaphragm, Tungsten	-----	AP1407	Yoke Clamp Connector, Chrome, Tungsten
3 ----	AP1477F	Decal	<b>22 ---- AP1406/1</b>	<b>Filter Guard</b>	
4 ----	AP1483	Hydrostatic Transmitter	23 ----	AP1404	Protective Cap
5 ----	AP1474	Spring Adjuster	<b>24 ---- AP1166P</b>	<b>O-ring (10 pk)</b>	
6 ----	AP1473	Diaphragm Clamp, Satin	25 ----	AP1402	Yoke Clamp Screw, Comolded
7 ----	AP1475	Spring	26 ----	AP1470/S	Handwheel, 300 Bar, Satin
8 ----	AP1476	Spring Carrier	-----	AP6201	Handwheel, 300 Bar, Tungsten
<b>9 ---- AP1478</b>	<b>Diaphragm</b>		27 ----	AP1471/S	Handwheel Connector, Satin
10 ----	AP5722	Valve Lifter	-----	AP1471	Handwheel Connector, Chrome, Tungsten
11 ----	AP5101	Body, Chrome, XTX	28 ----	AP6202	Protective Cap, DIN
-----	AP5101PVDS	Body, XTX Tungsten	29 ----	AP5723	Decal, Body
<b>12 ---- AP1409P</b>	<b>O-ring (10 pk)</b>		30 ----	AP1408	3/8" MP Blanking Plug
13 ----	AP5721	Removable HP Valve Seat (Crown)	31 ----	AP1413	7/16" HP Blanking Plug
<b>14 ---- AP1419</b>	<b>HP Valve</b>		<b>32 ---- AP1445P</b>	<b>O-ring (10 pk)</b>	
15 ----	AP1415	Spring	33 ----	AP1487	1/2" MP Blanking Plug
<b>16 ---- AP1299P</b>	<b>O-ring (10 pk)</b>		<b>34 ---- AP1410P</b>	<b>O-ring, ATX (10 pk)</b>	
<b>17 ---- AP1300P</b>	<b>O-ring (10 pk)</b>				

Part numbers in **BOLD ITALICS** indicate standard overhaul replacement part.

# ATX100

**2004-2006 Discontinued**



Key #	Part #	Description
-----	<b>AP0241/AA</b>	<b>Service Kit, Diaphragm First Stage</b>
-----	AP0211/S	DIN Connector
1 ----	AP1484/S	Environmental End Cap, Satin
<b>2 ----</b>	<b>AP1482</b>	<b>Hydrostatic Diaphragm, ATX</b>
3 ----	AP1477F	Environmental Decal
4 ----	AP1483	Hydrostatic Transmitter
5 ----	AP1474	Spring Adjuster
6 ----	AP1473	Diaphragm Clamp, Satin
7 ----	AP1475	Spring
8 ----	AP1476	Spring Carrier
<b>9 ----</b>	<b>AP1478</b>	<b>Diaphragm</b>
10 ----	AP1479	Valve Lifter
11 ----	AP5102	Body, Satin
<b>12 ----</b>	<b>AP1419</b>	<b>HP Valve</b>
13 ----	AP1415	Spring
<b>14 ----</b>	<b>AP1299P</b>	<b>O-ring (10 pk)</b>
<b>15 ----</b>	<b>AP1409P</b>	<b>O-ring (10 pk)</b>

Key #	Part #	Description
<b>16 ----</b>	<b>AP1300P</b>	<b>O-ring (10 pk)</b>
17 ----	AP5309	HP Balance Plug, Satin
18 ----	AP1403/S	Yoke Clamp, Satin
<b>19 ----</b>	<b>AP1472</b>	<b>Conical Filter</b>
20 ----	AP1407/S	Yoke Clamp Connector, Satin
<b>21 ----</b>	<b>AP1406/1</b>	<b>Filter Guard</b>
22 ----	AP1404	Protective CAP
<b>23 ----</b>	<b>AP1166P</b>	<b>O-ring (10 pk)</b>
24 ----	AP1402	Yoke Clamp Screw, Comolded
25 ----	AP1470/S	Handwheel, Satin, 300 bar
26 ----	AP1471/S	Handwheel Connector, Satin
27 ----	AP6202	Protective DIN CAP
28 ----	AP5014	Decal, Body
29 ----	AP1413	7/16" HP Blanking Plug
<b>30 ----</b>	<b>AP1445P</b>	<b>O-ring (10 pk)</b>
31 ----	AP1408	3/8" MP Blanking Plug
32 ----	AP1487	1/2" MP Blanking Plug
<b>33 ----</b>	<b>AP1410P</b>	<b>O-ring (10 pk)</b>

Part numbers in **BOLD ITALICS** indicate standard overhaul replacement part.

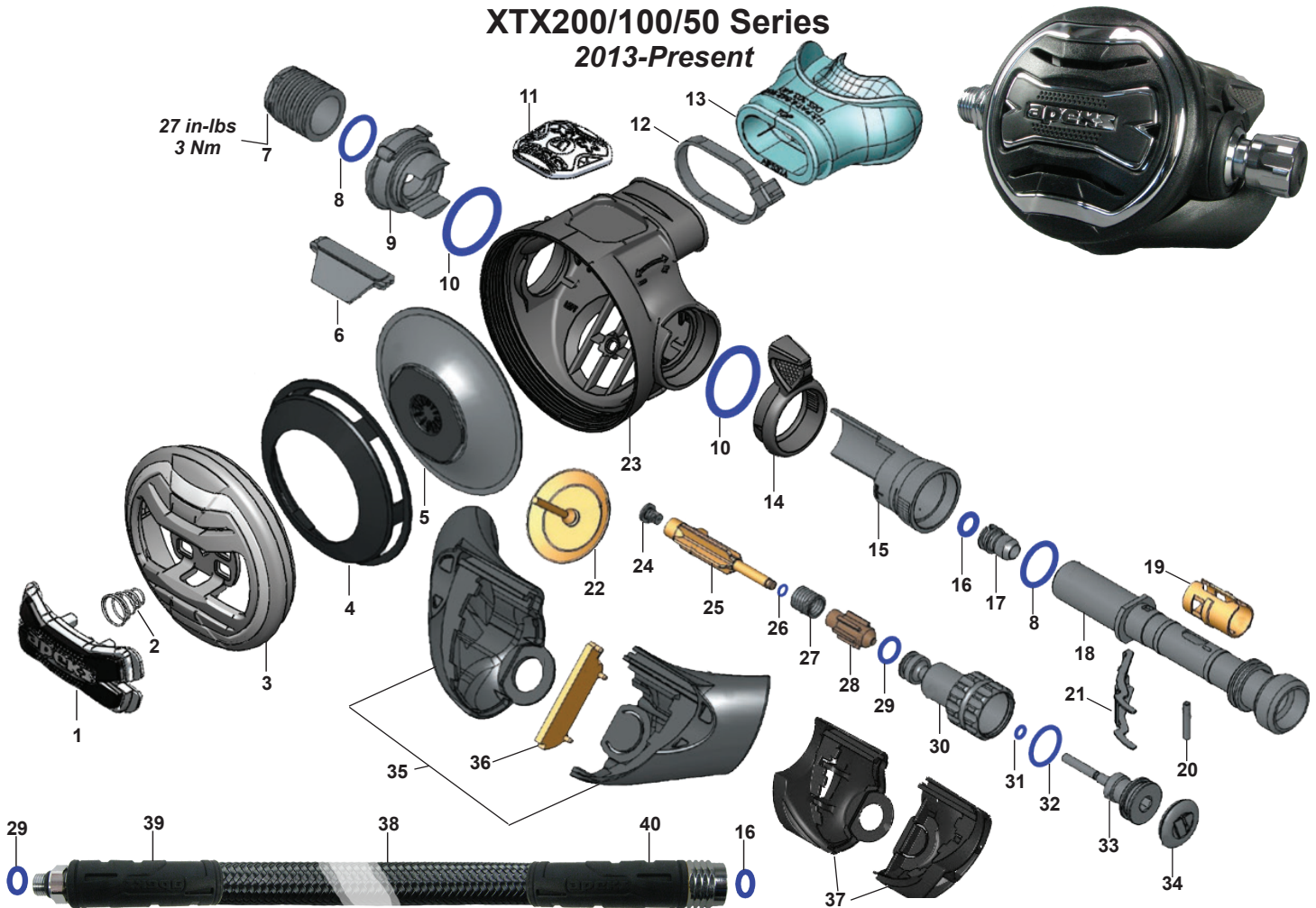
**Flight Series  
2010-Present**



Key #	Part #	Description	Key #	Part #	Description
----	<b>AP0254</b>	<b>Flight Second Stage Repair Kit</b>	12 ----	129154	Mouthpiece Clamp
----	AP0811	Flight, Second Stage only, Pewter	13 ----	AP5324K	Mouthpiece, Comfobite, Std.
----	AP0811TL	Flight, Second Stage only, Twilight	----	127826	Mouthpiece, Comfobite, Small
----	AP0811P	Flight, Second Stage only, Pink	----	104138	Mouthpiece, Standard, Octopus
1 ----	AP7589	Purge Clamp Ring (for Pewter Model)	14 ----	AP7581	Spindle Body
----	AP7589F	Purge Clamp Ring (for Pink & Twilight Model)	15 ----	AP7570	Micro Adjuster Screw
----	AP7589G	Purge Clamp Ring (Green)	16 ----	AP7582	Spindle Adjuster Sleeve
----	AP7589Y	Purge Clamp Ring (Yellow)	17 ----	AP7584	Spring Carrier
2 ----	AP0175M	Front Cover Assembly (for Pewter/Octo)	18 ----	AP2021	Spring
----	AP0175T	Front Cover Assembly (for Green Model)	<b>19 ---- AP5711P</b>		<b>O-ring (10 pk)</b>
----	AP0175TL	Front Cover Assembly (for Twilight Model)	20 ----	AP5707	Shuttle Valve
----	AP0175F	Front Cover Assembly (for Pink Model)	<b>21 ---- AP2034</b>		<b>MP Seat, Silicone</b>
3 ----	AP7577	Inner Locking Ring	22 ----	AP2035	Lever
4 ----	AP7592	Friction Ring	<b>23 ---- AP1154P</b>		<b>O-ring (10 pk)</b>
5 ----	AP100181	Diaphragm	24 ----	AP7563	Seat
6 ----	AP7590	Case	25 ----	AP7586	Inlet Fitting
7 ----	AP7578	Exhaust Tee	26 ----	AP7595	Locking Slide Ring
8 ----	AP6223	Exhaust Valve	27 ----	AP6236	Hose Protector, Black (for swivel end)
<b>9 ---- AP1267P</b>		<b>O-ring (10 pk)</b>	----	AP6236Y	Hose Protector, Yellow (for swivel end)
10 ----	AP7579	Venturi Lever	28 ----	AP0200	Hose, Flex, 3/8" X 29" Black, w/Hose Protectors
11 ----	AP7596B	Insert Logo (Black)	----	AP0201	Hose, Flex, 3/8" X 36" Yellow, w/Hose Protectors
----	AP7596P	Insert Logo (Pink)	29 ----	AP1461	Hose Protector, Black (for male end)
----	AP7596G	Insert Logo (Green)	----	AP1461Y	Hose Protector, Yellow (for male end)
----	AP7596Y	Insert Logo (Yellow)	<b>30 ---- AP1409P</b>		<b>O-ring (10 pk)</b>

Part numbers in **BOLD ITALICS** indicate standard overhaul replacement part.

**XTX200/100/50 Series**  
2013-Present



**Key # Part # Description**

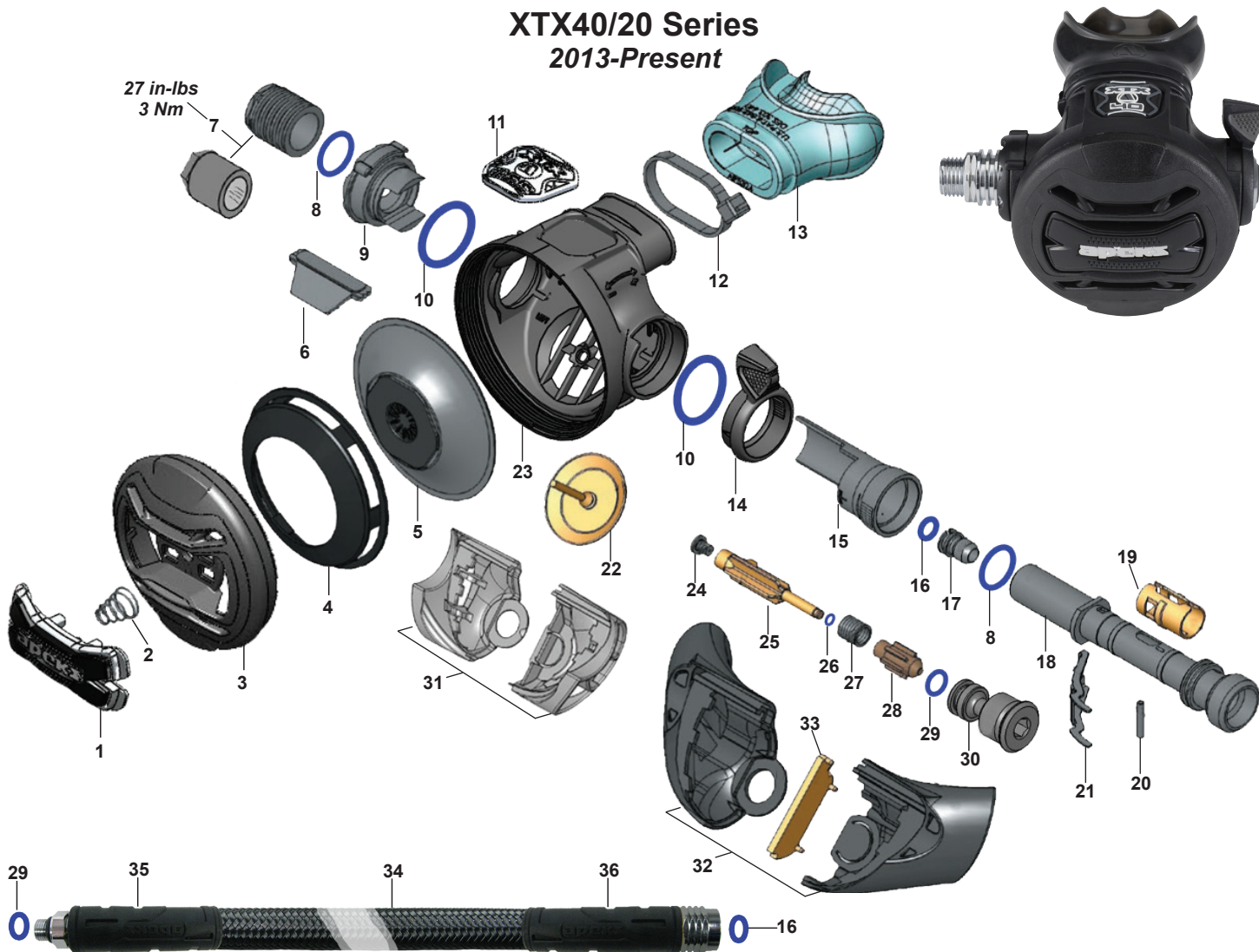
-----	<b>AP0219/AA</b>	<b>Universal Second Stage Repair Kit</b>
-----	AP0354F	XTX200 Tungsten, Second Stage
-----	AP0353F2	XTX200, Second Stage
-----	AP0352F	XTX50, Second Stage
1----	AP0624	Purge Button, Chrome, Tungsten/XTX200,w/Spring
-----	AP0624S	Purge Button, Satin, XTX100, w/Spring
-----	AP0624B	Purge Button, Black, XTX50, w/Spring
-----	AP0624Y	Purge Button, Yellow, XTX50 Octopus, w/Spring
-----	AP6222	Spring
3----	AP6302PVDS	Case Cover, Tungsten
-----	AP6302	Case Cover, XTX200
-----	AP6302S	Case Cover, XTX100
-----	AP6301	Case Cover, XTX50
-----	AP6301Y	Case Cover, Octopus, Yellow
4----	AP5802	Diaphragm Cover, Black
-----	AP5802/C	Diaphragm Cover, Chrome, XTX50
5----	AP5803	Diaphragm
6----	AP2037	Deflector
7----	AP5013PVDS	Heat Exchanger, PVD, Tungsten
-----	AP5002	Heat Exchanger, Chrome, XTX200/50
-----	AP5013/S	Heat Exchanger, Satin, XTX100
<b>8----</b>	<b>AP1267P</b>	<b>O-ring (10 pk)</b>
9----	AP6211	Blanking Piece
-----	AP6211Y	Blanking Piece, Yellow, Octopus
<b>10----</b>	<b>AP1438P</b>	<b>O-ring (10 pk)</b>
11----	AP6238F	Decal, Tungsten
-----	AP63082200	Decal, XTX200
-----	AP6308100	Decal, XTX100
-----	AP630750	Decal, XTX50
-----	AP6307O50	Decal, XTX50 Octopus
<b>12----</b>	<b>104913</b>	<b>Mouthpiece Clamp</b>
13----	AP5324K	Comfobite Mouthpiece

**Key # Part # Description**

14----	AP6309	Venturi Ring
-----	AP6309Y	Venturi Ring, Yellow, Octopus
15----	AP6213	Venturi Lever Body
<b>16----</b>	<b>AP1154P</b>	<b>O-ring (10 pk)</b>
17----	AP2033	Seat
18----	AP6216	Valve Spindle, Chrome, Tungsten/XTX200/50
-----	AP6216S	Valve Spindle, Satin, XTX100
19----	AP6215	Spindle Collar
20----	AP1151	Spring Pin
21----	AP2035	Lever
22----	AP6223	Exhaust Valve
23----	AP6300	Case
<b>24----</b>	<b>AP2034</b>	<b>MP Seat, Silicone</b>
25----	AP2036	Shuttle Valve
<b>26----</b>	<b>AP2041P</b>	<b>O-ring (10 pk)</b>
27----	AP2021	Spring
28----	AP2038SQ	Counter-Balance Cylinder
<b>29----</b>	<b>AP1409P</b>	<b>O-ring (10 pk)</b>
30----	AP6577FPVDS	Adjusting Screw, Tungsten
-----	AP6577F	Adjusting Screw, Chrome, XTX200/50
-----	AP6577FS	Adjusting Screw, Satin, XTX100
<b>31----</b>	<b>AP5711P</b>	<b>O-ring (10 pk)</b>
<b>32----</b>	<b>AP1159P</b>	<b>O-ring (10 pk)</b>
33----	AP6578	Spring Adjuster
34----	AP5830	Plug
35----	AP6220K	Large Exhaust Tee, Set
36----	AP6230	Exhaust Rib
37----	AP6219K	Small Exhaust Tee, Set
38----	AP0198	Flex Hose, MP, w/Hose Protectors, 3/8" X 30"
-----	AP0199	Flex Hose,MP, Yellow w/Hose Pro, 3/8" X 36"
39----	AP1461	Hose Protector, Black (for male end)
-----	AP1461Y	Hose Protector, Yellow (for male end)
40----	AP6236	Hose Protector, Black (for swivel end)
-----	AP6236Y	Hose Protector, Yellow (for swivel end)

Part numbers in **BOLD ITALICS** indicate standard overhaul replacement part.

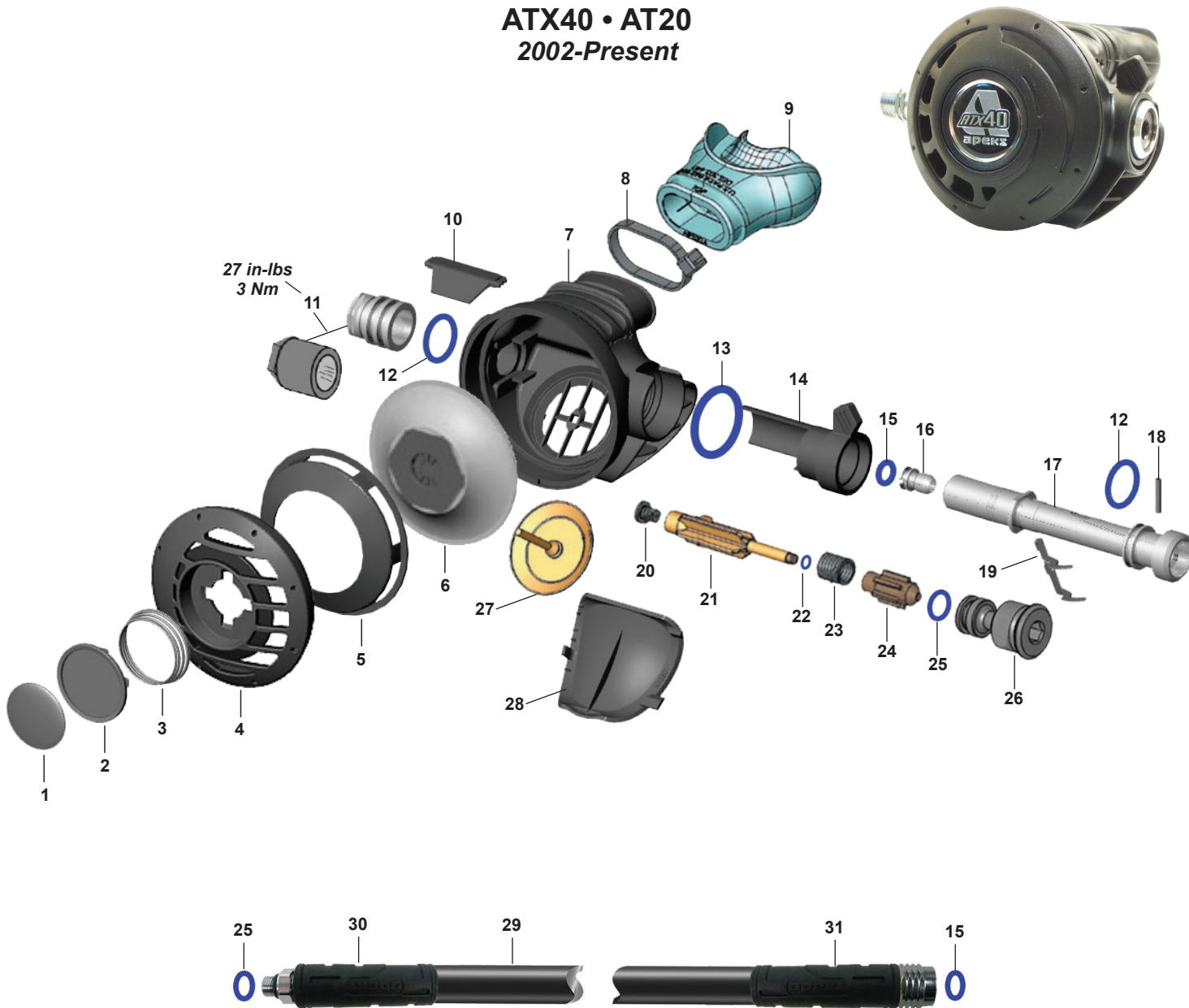
## XTX40/20 Series 2013-Present



Key #	Part #	Description	Key #	Part #	Description
-----	<b>AP0219/AA</b>	<b>Universal Second Stage Repair Kit</b>	14	AP6309	Venturi Ring
-----	AP0351F	XTX40, Second Stage	-----	AP6309Y	Venturi Ring, Yellow
-----	AP0350F	XTX20, Second Stage	-----	AP6309G	Venturi Ring, Green, XTX40 Oxy
1	AP0624B	Purge Button, Black, XTX40/20, w/Spring	15	AP6213	Venturi Lever Body
-----	AP0624Y	Purge Button, Yellow, XTX Oxy/Octopus, w/Spring	<b>16</b>	<b>AP1154P</b>	<b>O-ring (10 pk)</b>
2	AP6222	Spring	17	AP2033	Seat
3	AP6301	Case Cover, XTX40/20	18	AP6216	Valve Spindle, Chrome
-----	AP6301Y	Case Cover, Yellow	19	AP6215	Spindle Collar
-----	AP6301G	Case Cover, Green, XTX40 Oxy	20	AP1151	Spring Pin
4	AP5802	Diaphragm Cover	21	AP2035	Lever
5	AP5803	Diaphragm	22	AP6223	Exhaust Valve
6	AP2037	Deflector	23	AP6300	Case, XTX
7	AP5002	Heat Exchanger, Chrome, XTX40	<b>24</b>	<b>AP2034</b>	<b>MP Seat, Silicone</b>
-----	AP5003	Spacer, XTX20	25	AP2036	Shuttle Valve
<b>8</b>	<b>AP1267P</b>	<b>O-ring (10 pk)</b>	<b>26</b>	<b>AP2041P</b>	<b>O-ring (10 pk)</b>
9	AP6211	Blanking Piece	27	AP2021	Spring
-----	AP6211Y	Blanking Piece, Yellow	28	AP2038SQ	Counter-Balance Cylinder
-----	AP6211G	Blanking Piece, Green, XTX40 Oxy	<b>29</b>	<b>AP1409P</b>	<b>O-ring (10 pk)</b>
<b>10</b>	<b>AP1438P</b>	<b>O-ring (10 pk)</b>	30	AP2029-1	Adjusting Screw
11	AP630740	Decal, XTX40	31	AP6219K	Small Exhaust Tee, Set
-----	AP630720	Decal, XTX20	-----	AP6219G	Small Exhaust Tee, Set, Green, XTX40 Oxy
-----	AP6307G40	Decal, XTX40 Oxy	32	AP6220K	Large Exhaust Tee, Set
-----	AP6307O40	Decal, XTX40 Octopus	33	AP6230	Exhaust Rib
-----	AP6307O20	Decal, XTX20 Octopus	34	AP0198	Flex Hose, MP,w/Hose Protectors, 3/8" X 29"
<b>12</b>	<b>104913</b>	<b>Mouthpiece Clamp</b>	-----	AP0199	Flex Hose, MP, Yellow,w/Hose Pro, 3/8" X 36"
13	AP5324K	Comfobite Mouthpiece	35	AP1461	Hose Protector, Black (for male end)
-----	AP5324G	Comfobite Mouthpiece, Green, XTX40 Oxy	-----	AP1461Y	Hose Protector, Yellow (for male end)
-----	104138	Mouthpiece, Standard, Octopus	36	AP6236	Hose Protector, Black (for swivel end)
			-----	AP6236Y	Hose Protector, Yellow (for swivel end)

Part numbers in **BOLD ITALICS** indicate standard overhaul replacement part.

**ATX40 • AT20**  
2002-Present



**Key # Part # Description**

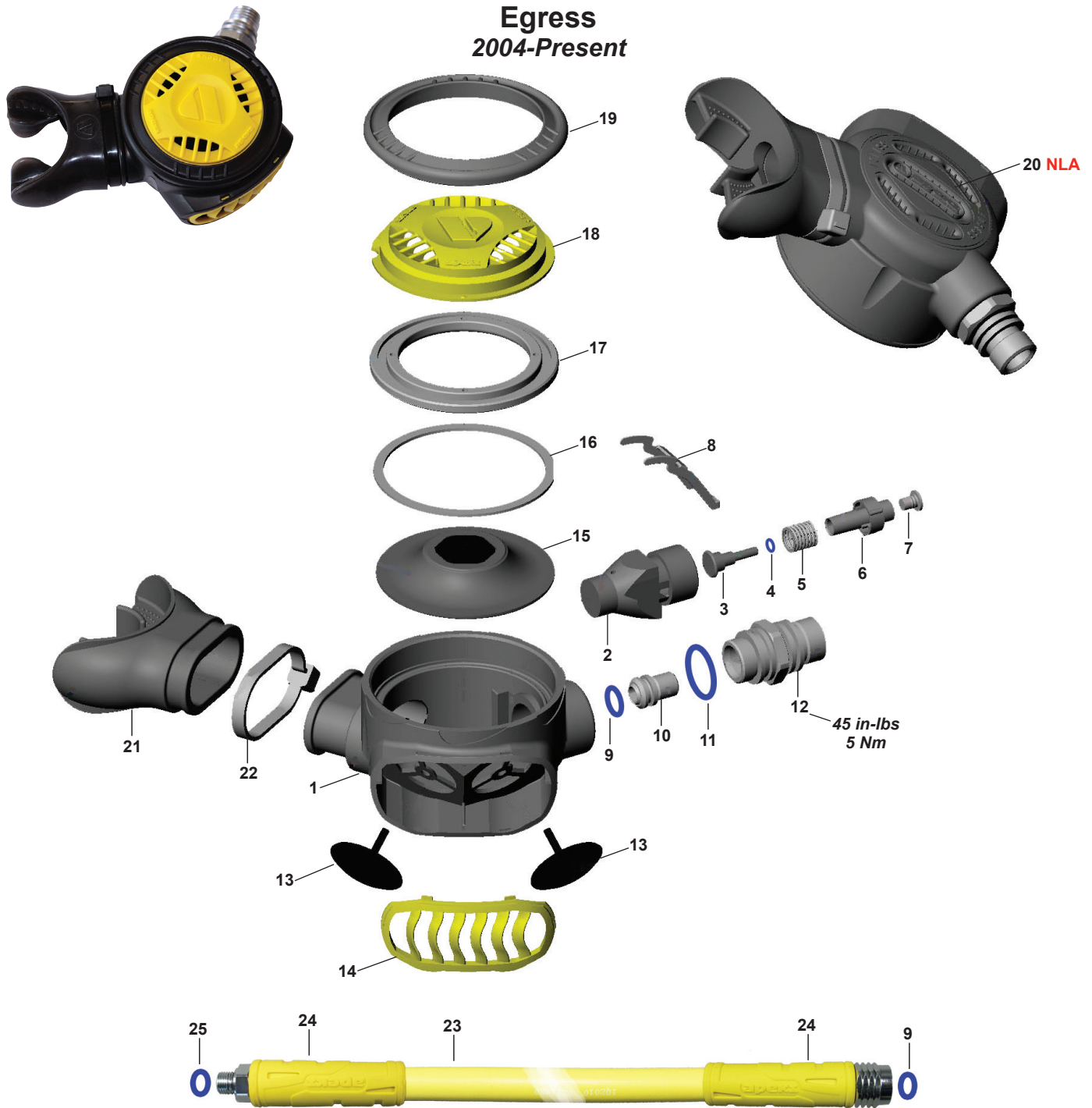
- **AP0219/AA** **Universal Second Stage Repair Kit**
- 1 ---- AP5015 Decal, Apeks, ATX40
- AP5822 Decal, AT20
- 2 ---- AP5805 Purge Button
- 3 ---- AP2020 Spring
- 4 ---- AP5804 Case Cover
- AP5807/Y Case Cover, Yellow, Octopus
- 5 ---- AP5802 Diaphragm Cover
- 6 ---- AP5803 Diaphragm
- 7 ---- AP5800 Case
- 8 ---- 104913 Mouthpiece Clamp**
- 9 ---- AP5324K Mouthpiece, Comfobite
- 104138 Mouthpiece, Standard, Octopus
- 10 ---- AP2037 Deflector
- 11 ---- AP5002 Heat Exchanger, ATX40
- AP5003 Spacer, AT20
- 12 ---- AP1267P O-ring (10 pk)**
- 13 ---- AP1438P O-ring (10 pk)**
- 14 ---- AP2039 Venturi Lever
- AP2039/Y Venturi Lever, Yellow, Octopus
- 15 ---- AP1154P O-ring (10 pk)**

**Key # Part # Description**

- 16 ---- AP2033 Seat
- 17 ---- AP2028 Valve Spindle
- 18 ---- AP1151 Spring Pin
- 19 ---- AP2035 Lever
- 20 ---- AP2034 MP Seat, Silicone**
- 21 ---- AP2036 Shuttle Valve
- 22 ---- AP2041P O-ring (10 pk)**
- 23 ---- AP2021 Spring
- 24 ---- AP2038SQ Counter-Balance Cylinder
- 25 ---- AP1409P O-ring (10 pk)**
- 26 ---- AP2029-1 Adjusting Screw
- 27 ---- AP1429 Exhaust Valve
- 28 ---- AP5801 Cover, Exhaust Valve
- AP5801/Y Cover, Exhaust Valve, Yellow
- 29 ---- AP0203 Hose, MP, 1/2" X 29"
- AP0203/1 Hose, MP, 3/8" X 29"
- AP0206 Hose, MP, Octopus, Yellow, 3/8" X36"
- 30 ---- AP1461 Hose Protector, Black (for male end)
- AP1461Y Hose Protector, Yellow (for male end)
- 31 ---- AP6236 Hose Protector, Black (for swivel end)
- AP6236Y Hose Protector, Yellow (for swivel end)
- N/S --- AP1410P O-ring, Hose End, Male 1/2" (10 pk)**

Part numbers in **BOLD ITALICS** indicate standard overhaul replacement part.

### Egress 2004-Present



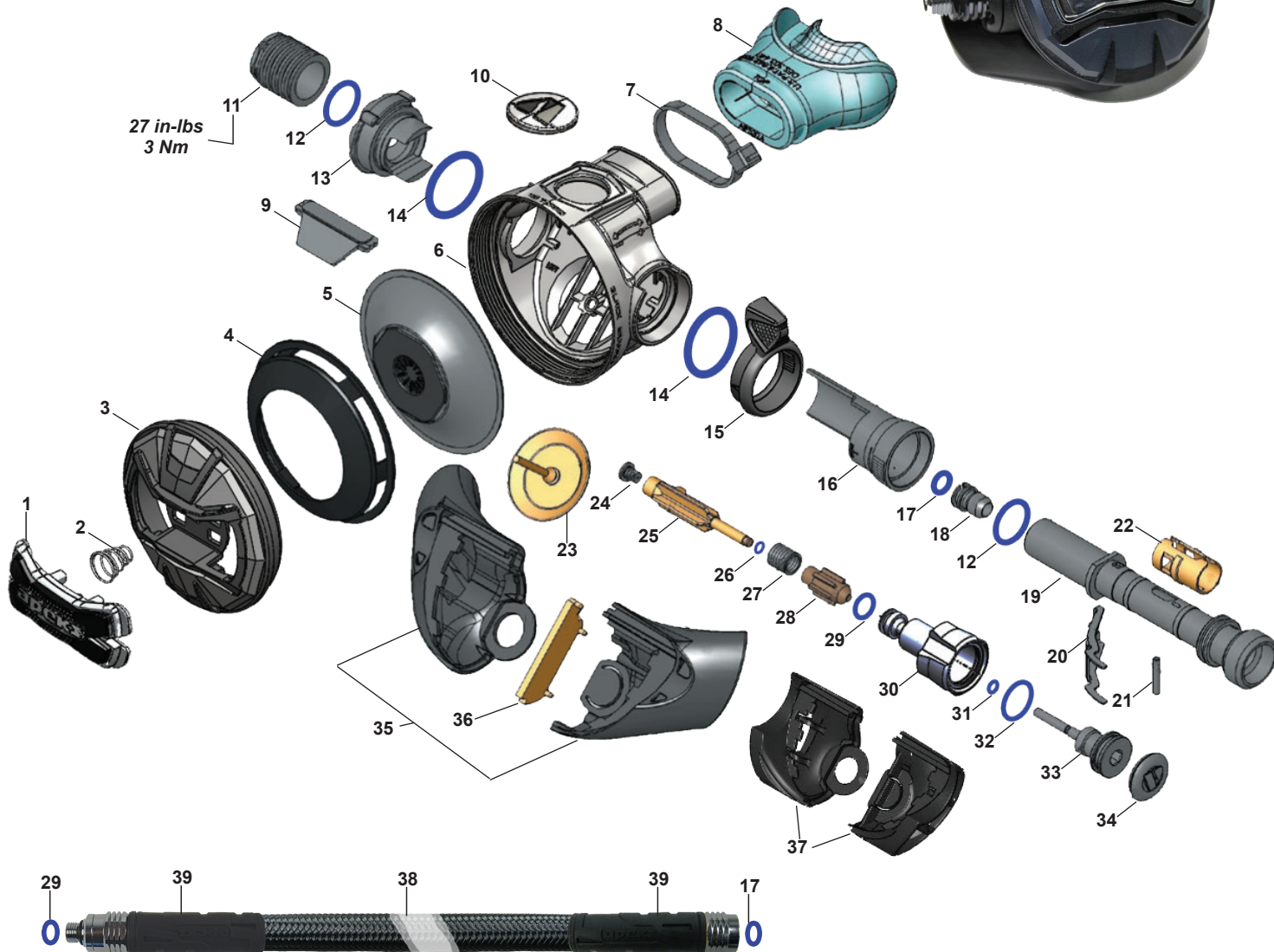
Key #	Part #	Description
-----	<b>AP0219/AA</b>	<b>Universal Second Stage Repair Kit</b>
1----	AP7550	Egress Case
2----	AP7560	Egress Spindle Body
3----	AP7562	Egress Spring Carrier
4----	<b>AP5711P</b>	<b>O-ring (10 pk)</b>
5----	AP2021	Valve Spring
6----	AP5707	Egress Shuttle Valve
7----	<b>AP2034</b>	<b>MP Seat, Silicone</b>
8----	AP2035	Lever
9----	<b>AP1154P</b>	<b>O-ring (10 pk)</b>
10----	AP7563	Egress Valve Seat
11----	<b>AP1267P</b>	<b>O-ring (10 pk)</b>
12----	AP7561	Egress Inlet Fitting

Key #	Part #	Description
13----	100122	Exhaust Valve
14----	AP7558	Egress Exhaust Gate
15----	AP7553	Egress Diaphragm
16----	AP7554	Egress Friction Ring
17----	116923	Inner Locking Ring
18----	AP7556	Egress Front Cover
19----	AP7557	Egress Front Locking Ring
20----	<b>NLA</b>	Egress Decal
21----	104138	Mouthpiece
22----	<b>104913</b>	<b>Mouthpiece Clamp</b>
23----	AP0206	Hose, MP, Octopus, Yellow, 3/8" X 36"
24----	AP1461Y	Hose Protector, Yellow (Std.Hose)
25----	<b>AP1409P</b>	<b>O-ring, Hose End, Male, (10 pk)</b>

Part numbers in **BOLD ITALICS** indicate standard overhaul replacement part.

# Black Sapphire

2015-2016 *Discontinued*

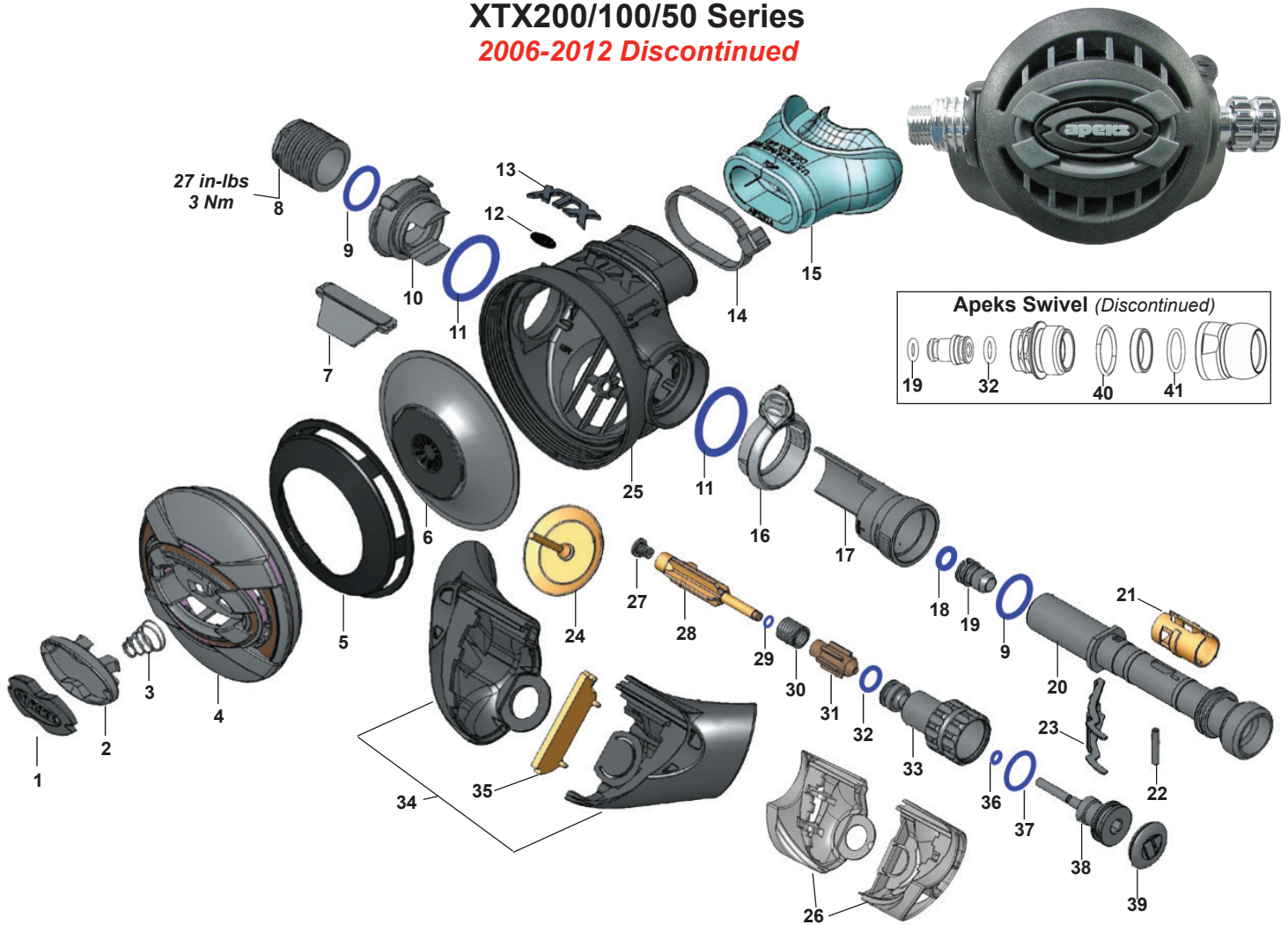


Key #	Part #	Description
-----	<b>AP0219/AA</b>	<b>Universal Second Stage Repair Kit</b>
1----	AP0624BS	Purge Button w/Spring, Blk Sapphire
2----	AP6222	Spring
3----	AP7314	Case Cover, Blk Sapphire
4----	AP5802	Diaphragm Cover, Black
5----	AP5803	Diaphragm
6----	AP7317	Case
<b>7----</b>	<b>104913</b>	<b>Mouthpiece Clamp</b>
8----	AP5324K	Comfobite Mouthpiece
9----	AP2037	Deflector
10----	AP7318	Decal
11----	AP5013PVD	Heat Exchanger, PVD
<b>12----</b>	<b>AP1267P</b>	<b>O-ring (10 pk)</b>
13----	AP6211	Blanking Piece
<b>14----</b>	<b>AP1438P</b>	<b>O-ring (10 pk)</b>
15----	AP6309	Venturi Lever
16----	AP6213	Venturi Lever Body
<b>17----</b>	<b>AP1154P</b>	<b>O-ring (10 pk)</b>
18----	AP2033	Seat
19----	AP6216	Valve Spindle, Chrome

Key #	Part #	Description
20----	AP2035	Lever
21----	AP1151	Spring Pin
22----	AP6215	Spindle Collar
23----	AP6223	Exhaust Valve
<b>24----</b>	<b>AP2034</b>	<b>MP Seat, Silicone</b>
25----	AP2036	Shuttle Valve
<b>26----</b>	<b>AP2041P</b>	<b>O-ring (10 pk)</b>
27----	AP2021	Spring
28----	AP2038SQ	Counter-Balance Cylinder
<b>29----</b>	<b>AP1409P</b>	<b>O-ring (10 pk)</b>
30----	AP7316	Adjusting Screw
<b>31----</b>	<b>AP5711P</b>	<b>O-ring (10 pk)</b>
<b>32----</b>	<b>AP1159P</b>	<b>O-ring (10 pk)</b>
33----	AP6578	Spring Adjuster
34----	AP5830	Plug
35----	AP6220K	Large Exhaust Tee, Set
36----	AP6230	Exhaust Rib
37----	AP6219K	Small Exhaust Tee, Set
38----	AP0198DSW	Hose, Double Swivel 3/8" X 30"
39----	AP6236	Hose Protector, Black (for Swivel Flex Hose)

Part numbers in **BOLD ITALICS** indicate standard overhaul replacement part.

**XTX200/100/50 Series**  
**2006-2012 Discontinued**



**Key # Part # Description**

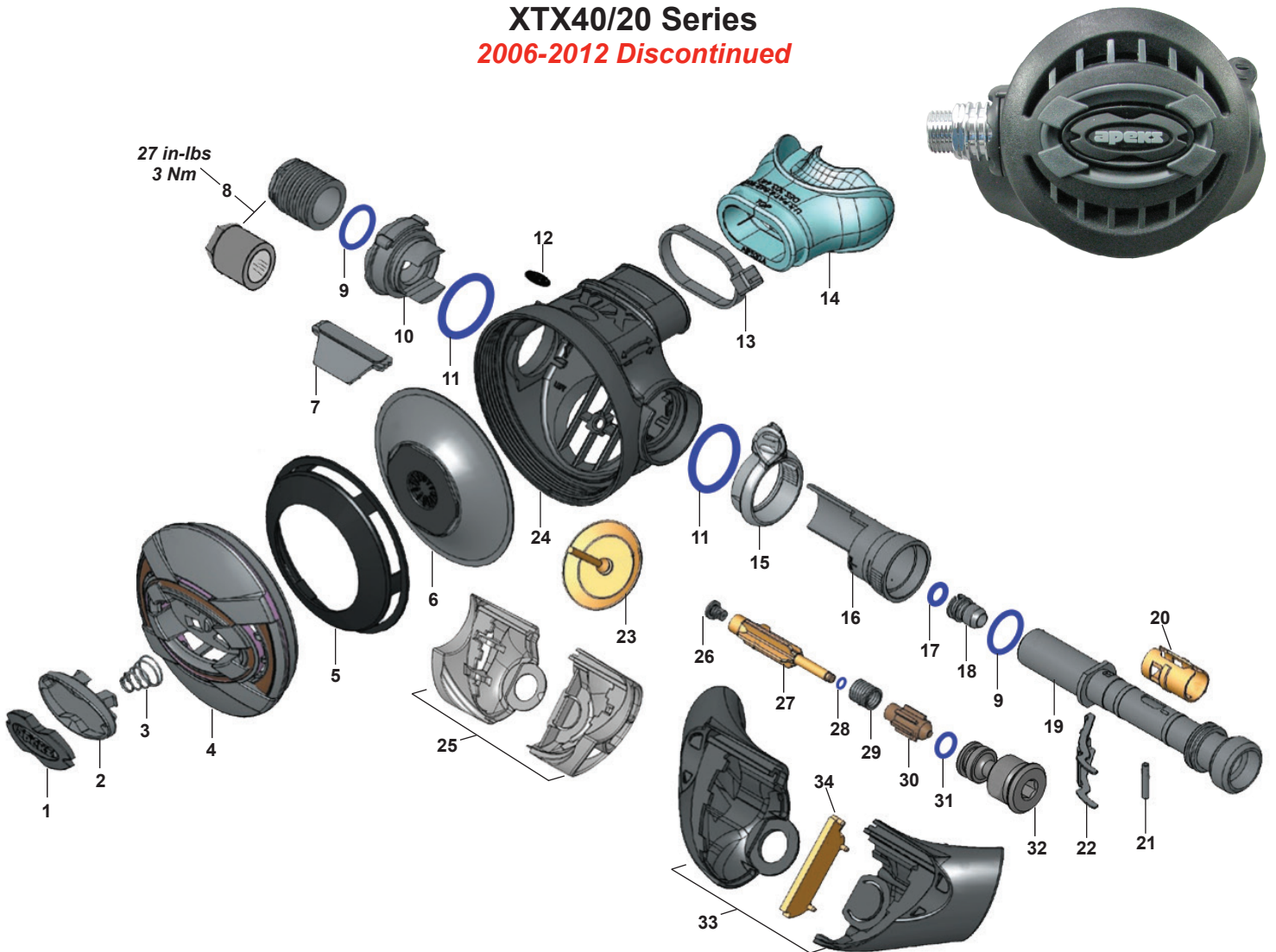
-----	<b>AP0219/AA</b>	<b>Universal Second Stage Repair Kit</b>
-----	<b>AP0249</b>	<b>Service Kit, Swivel Hose</b>
1----	AP6224	Decal
2----	AP6214	Purge Button
-----	AP6214Y	Purge Button, Yellow
3----	AP6222	Spring
4----	AP6217PVDS	Case Cover, Tungsten
-----	AP6217	Case Cover, XTX200/XTX100
-----	AP6218	Case Cover, XTX50
-----	AP6218Y	Case Cover, Yellow
5----	AP5802	Diaphragm Cover
6----	AP5803	Diaphragm
7----	AP2037	Deflector
8----	AP5013PVDS	Heat Exchanger, PVD, Tungsten
-----	AP5002	Heat Exchanger, Chrome, XTX200/50
-----	AP5013/S	Heat Exchanger, Satin, XTX100
<b>9----</b>	<b>AP1267P</b>	<b>O-ring (10 pk)</b>
10----	AP6211	Blanking Piece
-----	AP6211Y	Blanking Piece, Yellow
<b>11----</b>	<b>AP1438P</b>	<b>O-ring (10 pk)</b>
12----	AP6238	Decal, Tungsten
-----	AP6225	Decal, XTX200
-----	AP6226	Decal, XTX100
-----	AP6227	Decal, XTX50
13----	AP6221B	XTX Decal, XTX200, Tungsten
-----	AP6221S	XTX Decal, XTX100
-----	AP6221GREY	XTX Decal, XTX50
-----	AP6221Y	XTX Decal, XTX50 Octopus
<b>14----</b>	<b>104913</b>	<b>Mouthpiece Clamp</b>

**Key # Part # Description**

15----	AP5324K	Comfobite Mouthpiece
-----	104138	Mouthpiece, Standard, Octopus
16----	AP6212	Venturi Ring
-----	AP6212Y	Venturi Ring, Yellow
17----	AP6213	Venturi Lever Body
<b>18----</b>	<b>AP1154P</b>	<b>O-ring (10 pk)</b>
19----	AP2033	Seat
20----	AP6216	Valve Spindle, Chrome, XTX200/50
-----	AP6216S	Valve Spindle, Satin, XTX100
21----	AP6215	Spindle Collar
22----	AP1151	Spring Pin
23----	AP2035	Lever
24----	AP6223	Exhaust Valve
25----	AP6210	Case
26----	AP6219K	Small Exhaust Tee, Set
<b>27----</b>	<b>AP2034</b>	<b>MP Seat, Silicone</b>
28----	AP2036	Shuttle Valve
<b>29----</b>	<b>AP2041P</b>	<b>O-ring (10 pk)</b>
30----	AP2021	Spring
31----	AP2038SQ	Counter-Balance Cylinder
<b>32----</b>	<b>AP1409P</b>	<b>O-ring (10 pk)</b>
33----	AP6577PVDS	Adjusting Screw, PVD, Tungsten
-----	AP6577	Adjusting Screw, Chrome, XTX200/50
-----	AP6577/S	Adjusting Screw, Satin, XTX100
34----	AP6220K	Large Exhaust Tee, Set
35----	AP6230	Exhaust Rib
<b>36----</b>	<b>AP5711P</b>	<b>O-ring (10 pk)</b>
<b>37----</b>	<b>AP1159P</b>	<b>O-ring (10 pk)</b>
38----	AP6578	Spring Adjuster
39----	AP5830	Plug

Part numbers in **BOLD ITALICS** indicate standard overhaul replacement part.

**XTX40/20 Series**  
**2006-2012 Discontinued**



**Key # Part # Description**

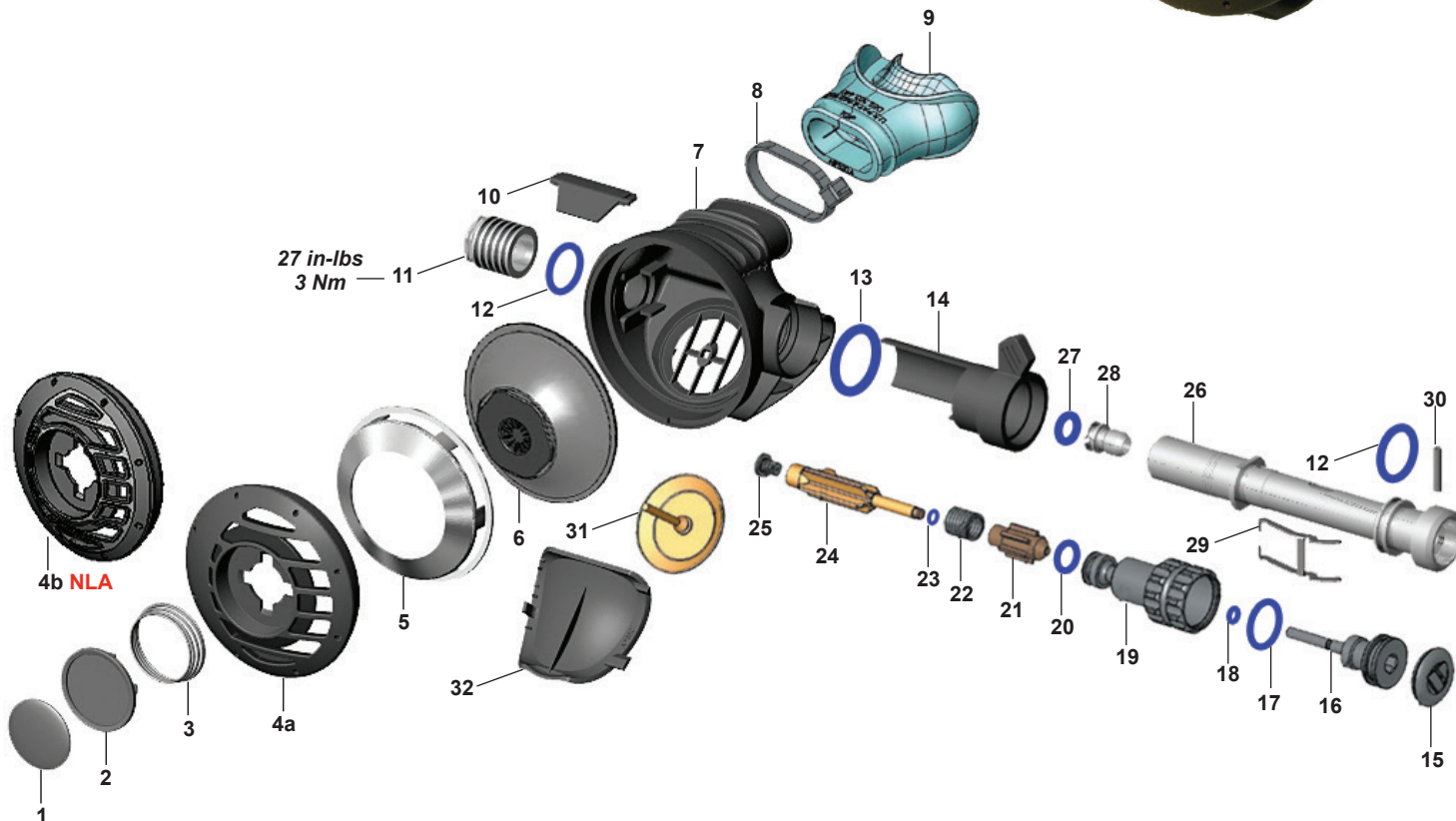
-----	<b>AP0219/AA</b>	<b>Universal Second Stage Repair Kit</b>
1----	AP6224	Decal
-----	AP6224N	Decal, Nitrox, XTX40 Oxy
2----	AP6214	Purge Button
-----	AP6214Y	Purge Button, Yellow
3----	AP6222	Spring
4----	AP6218	Case Cover
-----	AP6218Y	Case Cover, Yellow
-----	AP6218G	Case Cover, Green, XTX40 Oxy
5----	AP5802	Diaphragm Cover
6----	AP5803	Diaphragm
7----	AP2037	Deflector
8----	AP5002	Heat Exchanger, XTX40
-----	AP5003	Spacer, XTX20
<b>9----</b>	<b>AP1267P</b>	<b>O-ring (10 pk)</b>
10----	AP6211	Blanking Piece
-----	AP6211Y	Blanking Piece, Yellow
-----	AP6211G	Blanking Piece, Green, XTX40 Oxy
<b>11----</b>	<b>AP1438P</b>	<b>O-ring (10 pk)</b>
12----	AP6228	Decal, XTX40
-----	AP6228N	Decal, XTX40 Nitrox, XTX40 Oxy
-----	AP6229	Decal, XTX20
<b>13----</b>	<b>104913</b>	<b>Mouthpiece Clamp</b>

**Key # Part # Description**

14----	AP5324K	Comfobite Mouthpiece
-----	AP5324G	Comfobite Mouthpiece, Green, Oxy
-----	104138	Mouthpiece, Standard, Octopus
15----	AP6212	Venturi Ring
-----	AP6212Y	Venturi Ring, Yellow
-----	AP6212G	Venturi Ring, Green, XTX40 Oxy
16----	AP6213	Venturi Lever Body
<b>17----</b>	<b>AP1154P</b>	<b>O-ring (10 pk)</b>
18----	AP2033	Seat
19----	AP6216	Valve Spindle
20----	AP6215	Spindle Collar
21----	AP1151	Spring Pin
22----	AP2035	Lever
23----	AP6223	Exhaust Valve
24----	AP6210	Case
25----	AP6219K	Small Exhaust Tee, Set
-----	AP6219G	Small Exhaust Tee, Set, Green, XTX40 Oxy
<b>26----</b>	<b>AP2034</b>	<b>MP Seat, Silicone</b>
27----	AP2036	Shuttle Valve
<b>28----</b>	<b>AP2041P</b>	<b>O-ring (10 pk)</b>
29----	AP2021	Spring
30----	AP2038SQ	Counter-Balance Cylinder
<b>31----</b>	<b>AP1409P</b>	<b>O-ring (10 pk)</b>
32----	AP2029-1	Adjusting Screw
33----	AP6220K	Large Exhaust Tee, Set
34----	AP6230	Exhaust Rib

Part numbers in **BOLD ITALICS** indicate standard overhaul replacement part.

**ATX200/100/50 Series**  
**2002-2008 Discontinued**

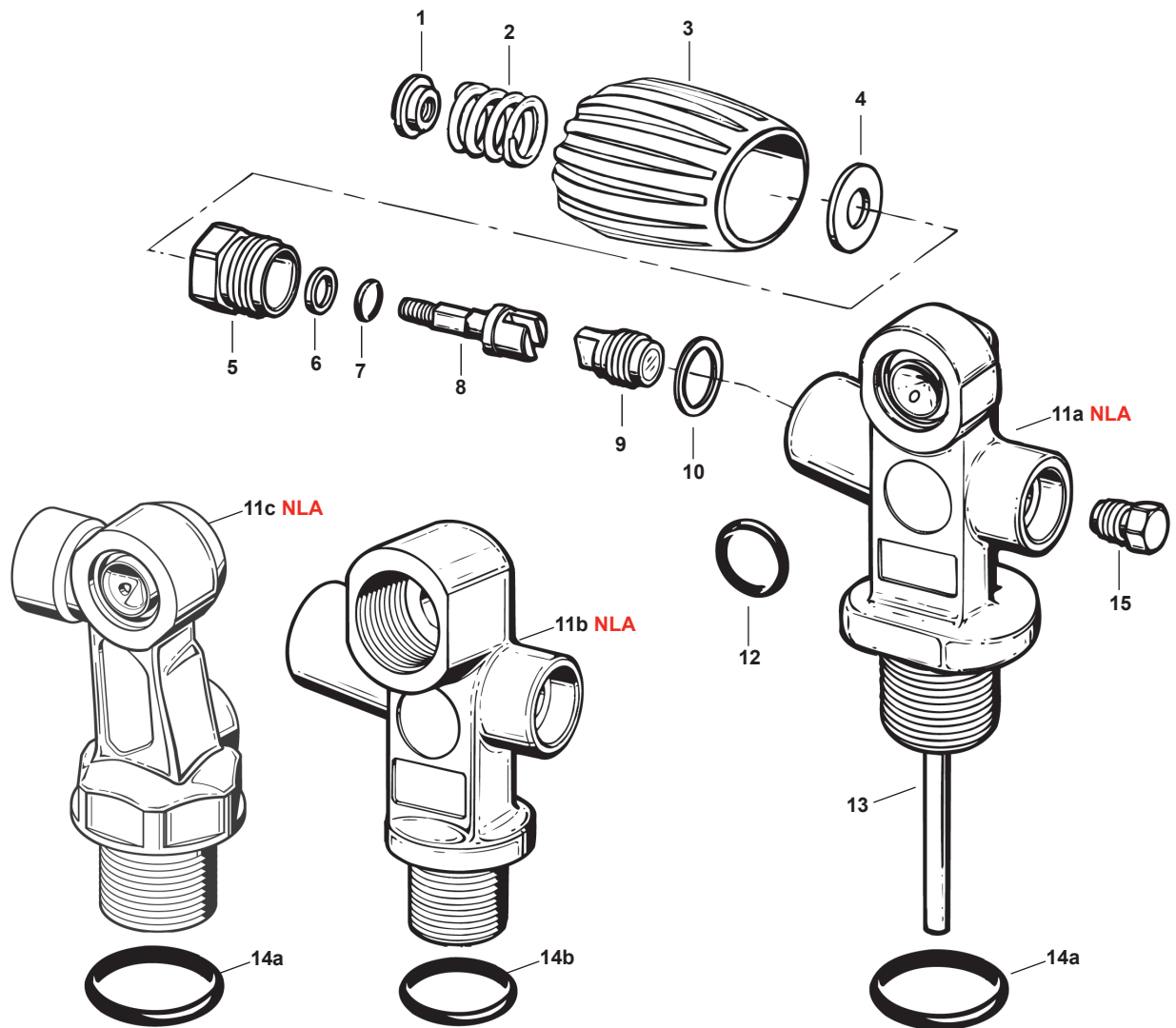


Key #	Part #	Description
-----	<b>AP0219/AA</b>	<b>Universal Second Stage Repair Kit</b>
1----	AP5015	Decal, Apeks
2----	AP5805	Purge Button
3----	AP2020	Spring
4a----	AP5804	Case Cover, ATX200/100/50
-----	AP5807/Y	Case Cover, ATX50 Octopus, Yellow
4b----	<b>NLA</b>	Case Cover, Tungsten
5----	AP5802/C	Diaphragm Cover, Tungsten/ATX200/ATX100
-----	AP5802	Diaphragm Cover, ATX50
6----	AP5803	Diaphragm
7----	AP5800	Case
8----	<b>104913</b>	<b>Mouthpiece Clamp</b>
9----	AP5324K	Mouthpiece, Comfobite
-----	104138	Mouthpiece, Standard, Octopus
10----	AP2037	Deflector
11----	AP5013PVDS	Heat Exchanger, PVD, Tungsten
-----	AP5013/S	Heat Exchanger, ATX200/ATX100
-----	AP5002	Heat Exchanger, ATX50
12----	<b>AP1267P</b>	<b>O-ring (10 pk)</b>
13----	<b>AP1438P</b>	<b>O-ring (10 pk)</b>
14----	AP2039	Venturi Lever
-----	AP2039/Y	Venturi Lever, Yellow, ATX50 Octopus
15----	AP5830	Plug
16----	AP6578	Spring Adjuster
17----	<b>AP1159P</b>	<b>O-ring (10 pk)</b>

Key #	Part #	Description
18----	<b>AP5711P</b>	<b>O-ring (10 pk)</b>
19----	AP6577PVDS	Adjusting Knob, PVD, Tungsten
-----	AP6577/S	Adjusting Knob, ATX200/ATX100
-----	AP6577	Adjusting Knob, ATX50
20----	<b>AP1409P</b>	<b>O-ring (10 pk)</b>
21----	AP2038SQ	Counter-Balance Cylinder
22----	AP2021	Spring
23----	<b>AP2041P</b>	<b>O-ring (10 pk)</b>
24----	AP2036	Shuttle Valve
25----	<b>AP2034</b>	<b>MP Seat, Silicone</b>
26----	AP2028/S	Valve Spindle, ATX200/ATX100
-----	AP2028	Valve Spindle, Tungsten/ATX50
27----	<b>AP1154P</b>	<b>O-ring (10 pk)</b>
28----	AP2033	Seat
29----	AP2035	Lever
30----	AP1151	Spring Pin
31----	AP1429	Exhaust Valve
32----	AP5801	Cover, Exhaust Valve
-----	<b>NLA</b>	Cover, Exhaust Valve, Grey, Tungsten
-----	AP5801/Y	Cover, Exhaust Valve, Yellow

Part numbers in **BOLD ITALICS** indicate standard overhaul replacement part.

**K-Valve • DIN Valve • Z-Valve Air • (by Thermo)**  
**Discontinued**



Key #	Part #	Description
-----	<b>5240-KIT</b>	<b>Service Kit, K- or Z-Valve, 3000 psi Only</b>
1----	054207	Nut, Handwheel Retaining
2----	054209	Spring, Handwheel
3----	52406A	Handwheel
4----	054212	Washer
5----	054204	Bonnet
6----	<b>054205</b>	<b>Washer, Packing</b>
7----	<b>820010P</b>	<b>O-ring, Stem (25 pk)</b>
8----	054208	Stem
9----	<b>054203</b>	<b>Seat Assembly</b>
10----	<b>054216</b>	<b>Gasket, Bonnet</b>
11a---	<b>NLA</b>	Body, K-Valve

Key #	Part #	Description
11b---	<b>NLA</b>	Body, DIN Valve
11c---	<b>NLA</b>	Body, Z-Valve
12----	<b>820014P</b>	<b>O-ring, Outlet (25 pk)</b>
13----	054215	Dip Tube
14a---	<b>820214P</b>	<b>O-ring, K-Valve (10 pk)</b>
14b---	<b>054114</b>	<b>O-ring, DIN Valve</b>
15----	<b>054201</b>	<b>Safety Plug Kit, 3,000 psi (Aluminum)</b>
-----	<b>054242</b>	<b>Safety Plug Kit, 3,300 psi (Aluminum)</b>
-----	<b>054261</b>	<b>Safety Plug Kit, 3,500 psi (HP Steel)</b>
-----	<b>054221</b>	<b>Safety Plug Kit, 2,400 psi (LP Steel)</b>
-----	<b>054211</b>	<b>Safety Plug Kit, 2,250 psi (LP Steel)</b>
N/S---	42485	Dust Cap, K-Valve
N/S---	054228	Dust Cap, Z-Valve

Part numbers in **BOLD ITALICS** indicate standard overhaul replacement part.

# Airsource 3 w/QD Fitting 2010-Present

Airsource 3 w/Cut-Off Valve **2008-2011 Discontinued**

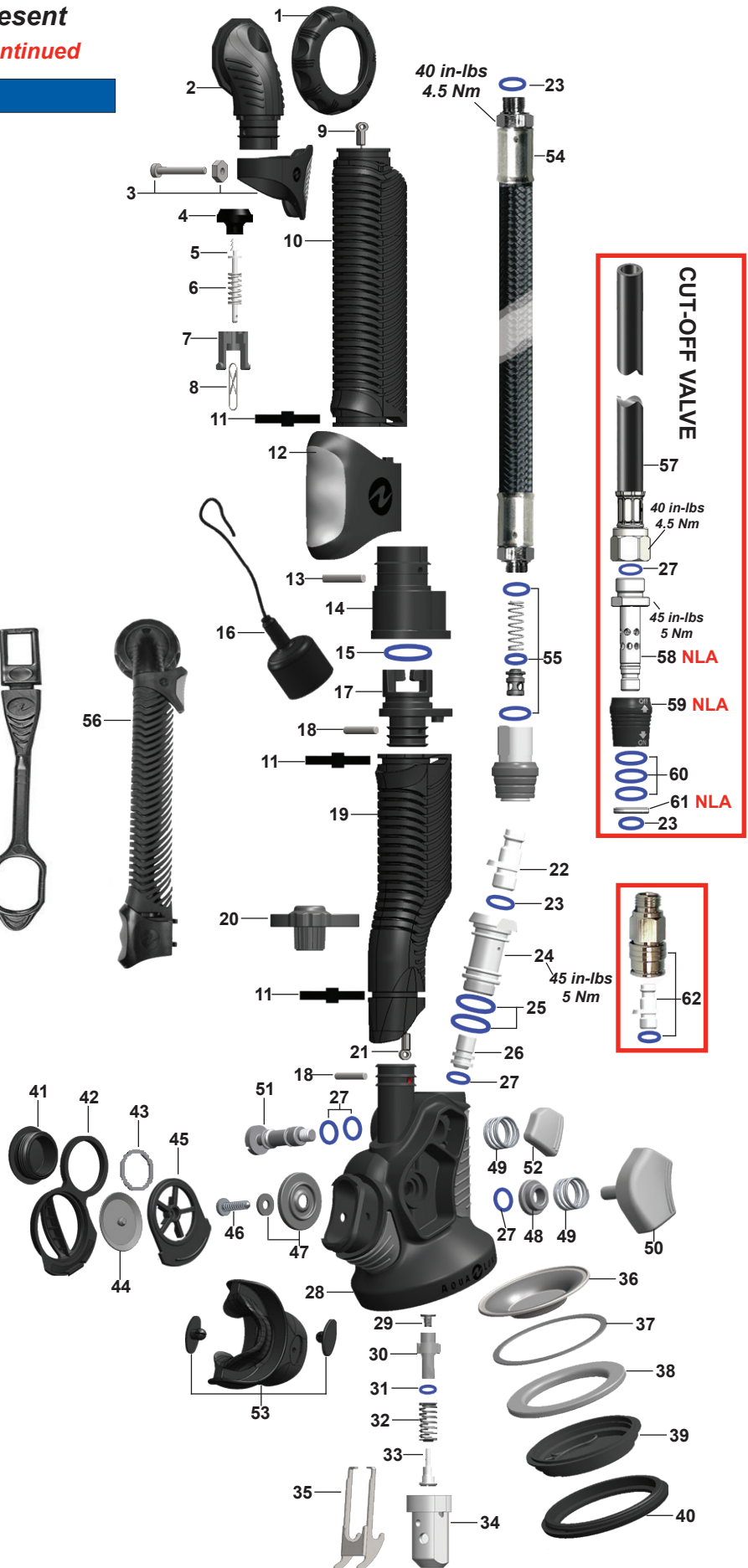
Key #	Part #	Description
-------	--------	-------------

..... **900021** **Overhaul Parts Kit, Airsource 3**  
 ..... **42639** **O-ring Kit, Airsource QD Hose**

1.....	15763	Collar
2.....	15161	Elbow
3.....	15281	Clip, Nut & Screw, Charcoal
<b>4 .....</b>	<b>778559</b>	<b>Poppet, Dump Valve</b>
5.....	15164	Stem, Poppet
6.....	15215	Spring, Pull Dump, S/S
7.....	15162	Guide, Poppet
8.....	15178	Hook, Inflator Cable
9.....	15163	Cable, Upper 7.6"
10.....	15170	Hose, Upper
<b>11.....</b>	<b>15719</b>	<b>Clamp</b>
12.....	15257	Trim-Grip Ring, Grey
13.....	15172	Pin
14.....	15173	Trim-Grip, Top
<b>15.....</b>	<b>820018P</b>	<b>O-ring (20 pk)</b>
16.....	15226	Dust Cap, for Trim Grip
17.....	15175	Trim Grip, Bottom
18.....	15177	Pin
19.....	15171	Hose, Lower
20.....	15029	QD Fitting Cover
21 .....	15176	Cable, Lower, 6.4"
22 .....	15203	QD Fitting
<b>23.....</b>	<b>820011P</b>	<b>O-ring (25 pk)</b>
24.....	15196	Inlet Fitting
<b>25.....</b>	<b>820015P</b>	<b>O-ring (10 pk)</b>
26.....	15220	Crown
<b>27.....</b>	<b>820010P</b>	<b>O-ring (25 pk)</b>
28.....	15245	Body
<b>29.....</b>	<b>15221</b>	<b>MP Seat</b>
30.....	15222	Shuttle Valve
<b>31.....</b>	<b>15234</b>	<b>O-ring</b>
32.....	15223	Spring
33.....	15224	Spring Carrier
34.....	15201	Valve Spindle
35.....	15202	Lever
36.....	15225	Diaphragm
37.....	15227	Washer
38.....	15228	Retainer, Diaphragm
39.....	15205	Cover, Purge
40.....	15247	Retainer, Purge
41.....	15244	Cap
42.....	15246	Cover, Exhaust Valve
<b>43.....</b>	<b>15189</b>	<b>Gasket</b>
<b>44.....</b>	<b>15132</b>	<b>Valve, Exhaust, Grey</b>
45.....	15265	Support, Exhaust Valve
46.....	15204	Screw
47.....	15255	Oral Seal Kit
48.....	15185	Plate
49.....	15187	Spring
50.....	15264	OI Button, Grey
51.....	15188	Push rod
52.....	15263	PI Button, Grey
53.....	15239	Mouthpiece w/ Pins
54.....	25460	QD Hose, Braided, 3/8" x 27"
<b>55.....</b>	<b>42639</b>	<b>O-ring Kit, A/S QD Hose</b>
56.....	15259	Upper Hose Assembly (1-14)

AIRSOURCE W/CUT-OFF VALVE		
57.....	15191	Hose, MP 3/8" x 25"
58 .....	<b>NLA</b>	Fitting, Cut-Off Valve
59.....	<b>NLA</b>	Barrel, Cut-Off Valve
<b>60.....</b>	<b>820312P</b>	<b>O-ring (10 pk)</b>
61.....	<b>NLA</b>	Washer
62.....	15140	AirsourceQD Conversion Kit

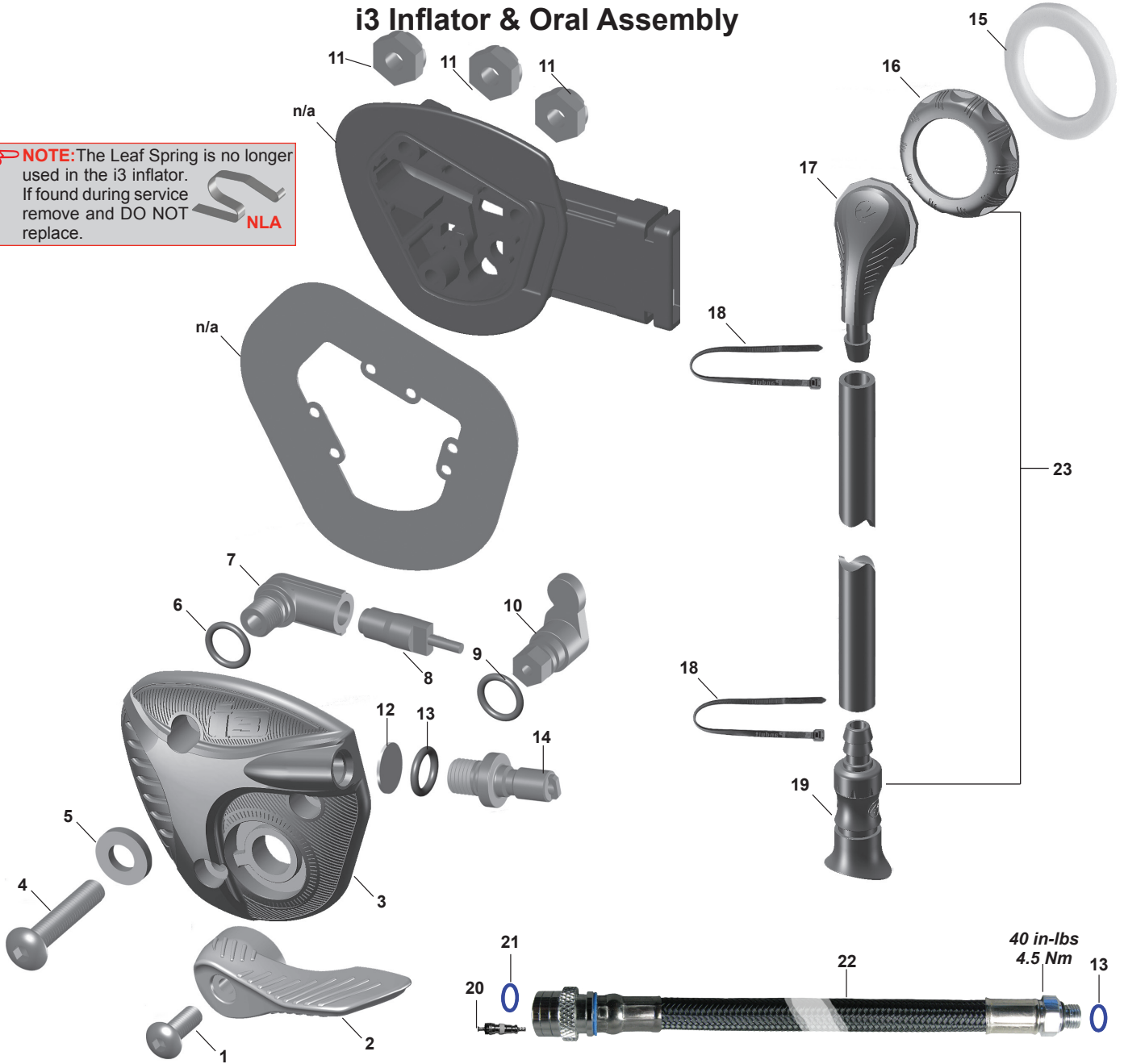
Ancholine Retainer  
p/n 15285



Part numbers in **BOLD ITALICS** indicate standard overhaul replacement part.

### i3 Inflator & Oral Assembly

**NOTE:** The Leaf Spring is no longer used in the i3 inflator. If found during service remove and DO NOT replace.

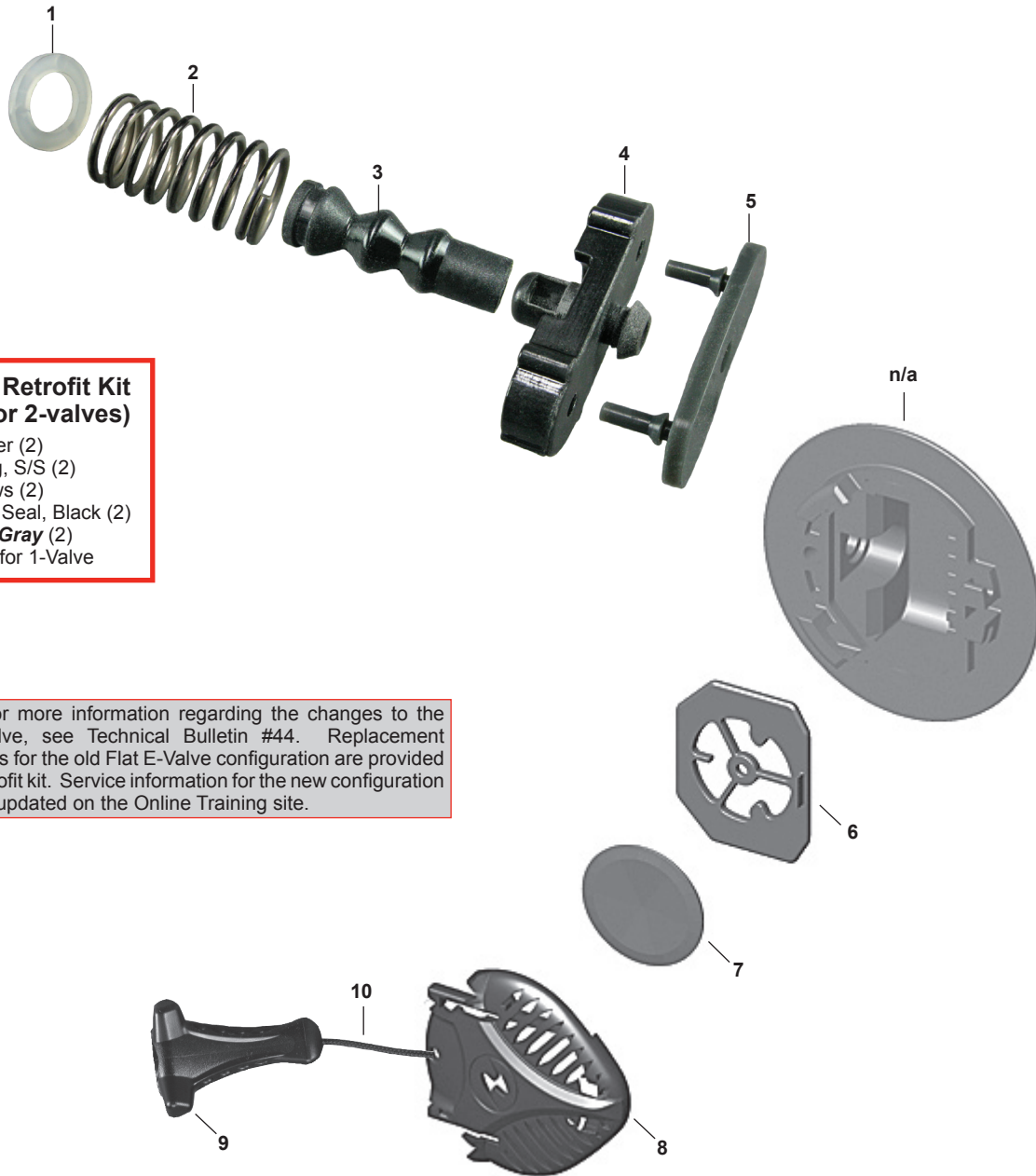


Key #	Part #	Description
-----	<b>900020</b>	<b>Service Kit, i3 Inflator</b>
1----	15424	Screw, 10-32X.5
2----	15414	Handle, i3 Inflator, Red
-----	15446	Handle, i3 Inflator, Twilight
-----	15433	Handle, i3 Inflator, Pink
-----	15434	Handle, i3 Inflator, Grey
-----	15435	Handle, i3 Inflator, Aqua
3----	15436	Body Out with Grey Labels
-----	15439	Body Out with Black Labels
-----	15423	Screw, 10-32X1
<b>5----</b>	<b>15426</b>	<b>Washer, Screw Seal</b>
<b>6----</b>	<b>820010P</b>	<b>O-ring (25 pk)</b>
7----	15417	Valve Retainer, Elbow
<b>8----</b>	<b>15504</b>	<b>Valve Core</b>
<b>9----</b>	<b>15445P</b>	<b>Quad-ring (10 pk)</b>
10----	15415	Lever, i3 Inflator

Key #	Part #	Description
11----	15425	Nut, Nylock, 10-32
<b>12----</b>	<b>15628</b>	<b>Powerline Filter</b>
<b>13----</b>	<b>820011P</b>	<b>O-ring (25 pk)</b>
14----	090018	Quick Disconnect Plug with O-ring
<b>15----</b>	<b>15309</b>	<b>Gasket</b>
16----	15763	Collar
17----	15427	Elbow
18----	15719	Clamp
19----	15429	Mouthpiece/Valve, Oral Inflator Assy
<b>20----</b>	<b>778564</b>	<b>Valve Core</b>
<b>21----</b>	<b>820043P</b>	<b>O-ring (10 pk)</b>
22----	45827	MP Braided Inflator Hose, 27" (SM)
-----	45833	MP Braided Inflator Hose, 33" (M, ML, L)
-----	45836	MP Braided Inflator Hose, 36" (XL)
-----	45840	MP Braided Inflator Hose, 40" (XXL)
23----	42773	i3 Oral Inflator, Complete (items 16-19)

Part numbers in **BOLD ITALICS** indicate standard overhaul replacement part.

## Flat E-Valve (New Design for 2015) on i3 model BC's



### Flat E-Valve Retrofit Kit p/n 42647 (for 2-valves)

- 15448 ---- Washer (2)
- 15407 ---- Spring, S/S (2)
- 15447 ---- Bellows (2)
- 15401 ---- Plate, Seal, Black (2)
- 15406 ---- Seal, Gray (2)**
- N/A ---- Cord, for 1-Valve

**NOTE:** For more information regarding the changes to the Flat E-Valve, see Technical Bulletin #44. Replacement instructions for the old Flat E-Valve configuration are provided in the Retrofit kit. Service information for the new configuration has been updated on the Online Training site.

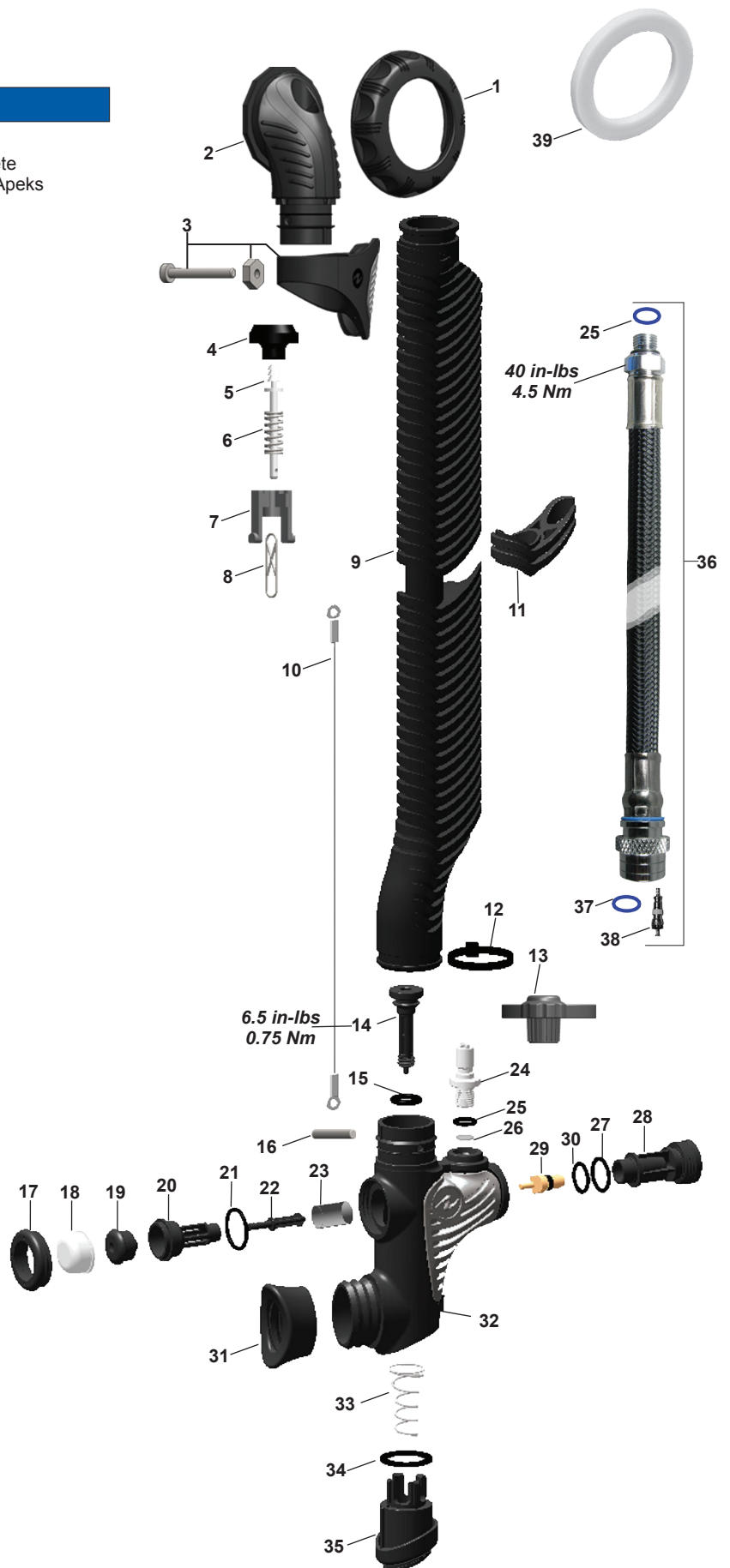
Key #	Part #	Description
1	15448	Washer
2	15407	Spring, S/S
3	15447	Bellows
4	15401	Plate, Seal, Black
5	<b>15406</b>	<b>Seal, Gray</b>
6	15403	Plate, Valve, Blk
7	15132	Valve, Exhaust, Grey
8	15405	Cap, Blk
9	12277	Pull Knob
10	42738	Pull Dump Cord (25')

Part numbers in **BOLD ITALICS** indicate standard overhaul replacement part.

# Powerline Inflator

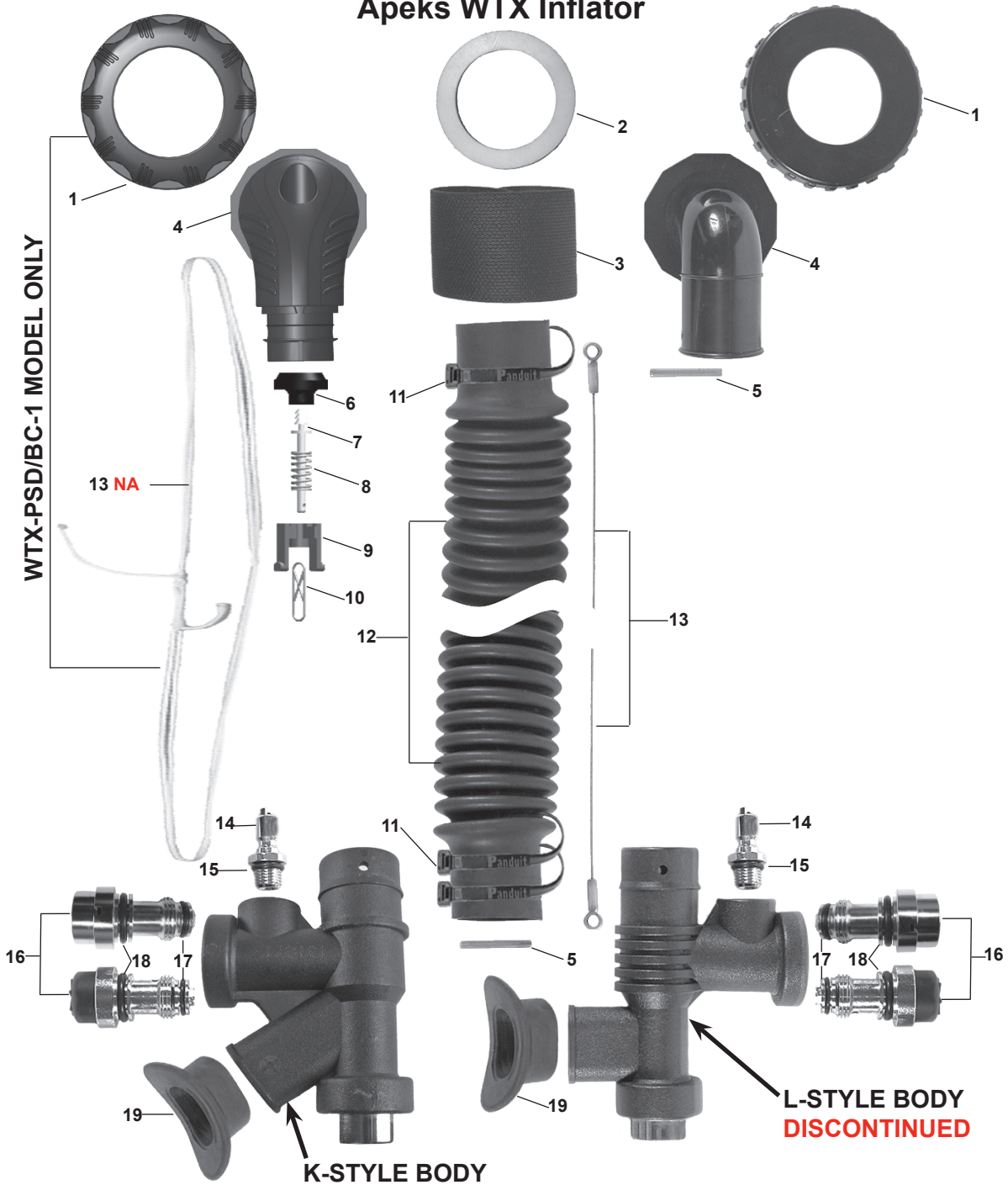
Key #	Part #	Description
-------	--------	-------------

-----	<b>42609</b>	<b>Service Kit, Powerline Inflator</b>
-----	42810	Powerline Airway, Charcoal, Complete
-----	42820	Powerline Airway, Black, Complete, Apeks
-----	15280	Powerline, Lower Unit, Charcoal
1----	15763	Collar
2----	15161	Elbow
3----	15281	Clip, Nut & Screw, Charcoal
-----	15159	Clip, Nut & Screw, Black, Apeks
<b>4----</b>	<b>778559</b>	<b>Poppet, Dump Valve</b>
5----	15164	Poppet Stem
6----	15215	Spring
7----	15162	Poppet Guide
8----	15178	Cable Hook
9----	15261	Molded Hose
10----	15724	Cable
11----	15262	Hose Clip
<b>12----</b>	<b>15719</b>	<b>Clamp</b>
13----	15029	QD Fitting Cover
14----	15736	Oral Valve Poppet
<b>15----</b>	<b>820092</b>	<b>O-ring</b>
16----	15610	Cable Pin
17----	15746	Bezel
18----	15100	Button Cover, Gray
19----	15747	Button
20----	15749	Push Rod Housing
<b>21----</b>	<b>820016P</b>	<b>O-ring (10 pk)</b>
22----	15743	Push Rod
<b>23----</b>	<b>15720</b>	<b>Filter Screen</b>
24----	090018	Quick Disconnect Plug w/ O-ring
<b>25----</b>	<b>820011P</b>	<b>O-ring (25 pk)</b>
<b>26----</b>	<b>15628</b>	<b>Filter</b>
<b>27----</b>	<b>820014P</b>	<b>O-ring (25 pk)</b>
28----	15744	Valve Retainer
<b>29----</b>	<b>15504</b>	<b>Valve Core</b>
<b>30----</b>	<b>957025P</b>	<b>O-ring (10 pk)</b>
31----	15741	Mouthpiece
32----	15283	Body, Charcoal
-----	15271	Body, Black, Apeks
33----	15709	Spring
<b>34----</b>	<b>15718</b>	<b>Gasket</b>
35----	15775	Oral Button w/Plug
36----	45822	MP Braided Inflator Hose, 3/8 x 22"
-----	45825	MP Braided Inflator Hose, 3/8 x 25"
-----	45827	MP Braided Inflator Hose, 3/8 x 27"
-----	45833	MP Braided Inflator Hose, 3/8 x 33"
<b>37----</b>	<b>820043P</b>	<b>O-ring (10 pk)</b>
<b>38----</b>	<b>778564</b>	<b>Valve Core</b>
<b>39----</b>	<b>15309</b>	<b>Gasket</b>



Part numbers in **BOLD ITALICS** indicate standard overhaul replacement part.

### Apeks WTX Inflator



Key #	Part #	Description
----	42662	Airway, Complete, K (WTX/WTX-D)
----	15350	Airway, Complete, K (WTX-D PSD)
----	15778	Lower Inflator Assembly, K (WTX/WTX-D/PSD)
1----	15706	Collar (WTX & WTX-D)
----	15763	Collar (WTX-D PSD & BC-1)
<b>2----</b>	<b>15309</b>	<b>Gasket</b>
3----	42783	Retainer Loop
4----	15304	Elbow (WTX & WTX-D)
----	15161	Elbow (WTX-D PSD & BC-1)
5----	15610	Retaining Pin
<b>6----</b>	<b>778559</b>	<b>Dump Valve, Poppet (WTX-D PSD &amp; BC-1)</b>
7----	15164	Poppet Stem (WTX-D PSD & BC-1)
8----	15215	Spring (WTX-D PSD & BC-1)

Key #	Part #	Description
9----	15162	Poppet Guide (WTX-D PSD & BC-1)
10----	15178	Cable Hook (WTX-D PSD & BC-1)
<b>11----</b>	<b>15719</b>	<b>Clamp</b>
12----	15756	Ribbed Hose Flat 16" (WTX & WTX-D)
----	15151	Ribbed Hose, 18" (WTX-D PSD & BC-1)
13----	15757	Cable Assembly
----	<b>NLA</b>	Spectra Cord, (WTX-D PSD & BC-1)
14----	15758	Quick Disconnect Fitting w/O-ring
<b>15----</b>	<b>820311P</b>	<b>O-ring (10 pk)</b>
16----	15717	Valve Module w/Brass Button
----	15761	Valve Module w/Plastic Button
<b>17----</b>	<b>820312P</b>	<b>O-ring (10 pk)</b>
<b>18----</b>	<b>820120P</b>	<b>O-ring (10 pk)</b>
19----	15759	Mouthpiece

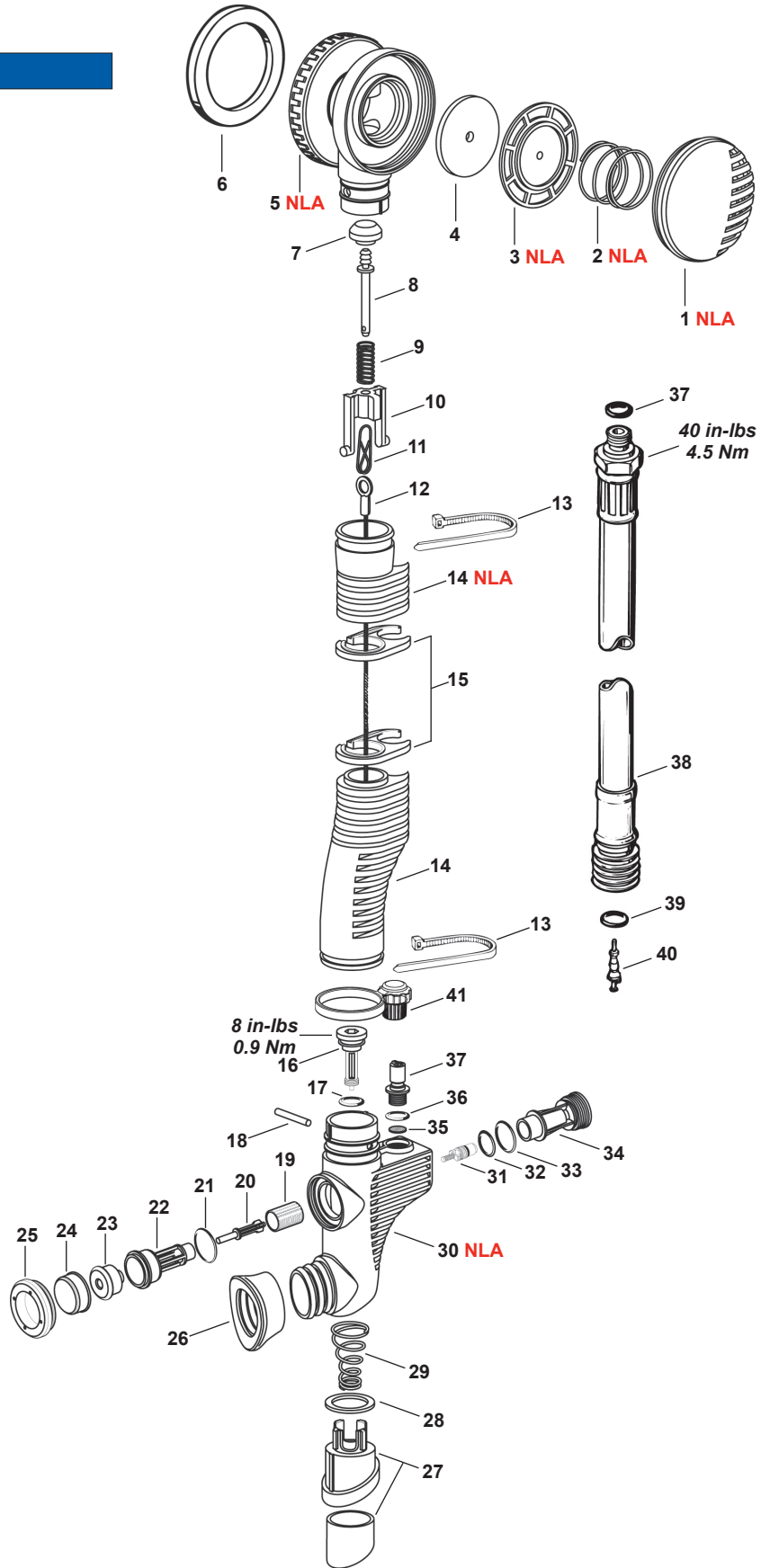
Part numbers in **BOLD ITALICS** indicate standard overhaul replacement part.

# Powerline Inflator w/ Dual Valve

**Discontinued**

Key #	Part #	Description
-------	--------	-------------

----	<b>42609</b>	<b>Service Kit, Powerline Inflator</b>
1----	<b>NLA</b>	Cap
2----	<b>NLA</b>	Overpressure Spring
3----	<b>NLA</b>	Valve Plate
4----	<b>15714</b>	<b>Seal</b>
5----	<b>NLA</b>	Body, Dual Valve
6----	<b>15309</b>	<b>Gasket</b>
7----	<b>778559</b>	<b>Dump Plug</b>
8----	15164	Poppet Stem
9----	15901	Dump Spring
10----	15649	Poppet Guide
11----	15178	Cable Hook
12----	15724	Cable Assembly
13----	<b>15719</b>	<b>Clamp</b>
14----	<b>NLA</b>	Ribbed Hose
15----	15735	Hose Clip
16----	15736	Poppet, Oral Valve
17----	<b>820092</b>	<b>O-ring</b>
18----	15610	Cable Pin
19----	<b>15720</b>	<b>Filter Screen</b>
20----	15743	Push Rod
21----	<b>820016P</b>	<b>O-ring (10 pk)</b>
22----	15749	Push Rod Housing
23----	15747	Button
24----	15100	Button Cover, Gray
25----	15746	Bezel
26----	15741	Mouthpiece
27----	15775	Oral Button w/rubber plug
28----	<b>15718</b>	<b>Gasket</b>
29----	15709	Oral Valve Spring
30----	<b>NLA</b>	Body
31----	<b>15504</b>	<b>Valve Core</b>
32----	<b>957025P</b>	<b>O-ring (10 pk)</b>
33----	<b>820014P</b>	<b>O-ring (25 pk)</b>
34----	15744	Valve Retainer
35----	<b>15628</b>	<b>Filter</b>
36----	<b>820011P</b>	<b>O-ring (25 pk)</b>
37----	090018	Quick Disconnect Plug w/ O-ring
38----	45822	MP Braided Inflator Hose, 22"
----	45825	MP Braided Inflator Hose, 25"
----	45827	MP Braided Inflator Hose, 27"
----	45833	MP Braided Inflator Hose, 33"
39----	<b>820043P</b>	<b>O-ring (10 pk)</b>
40----	<b>778564</b>	<b>Valve Core</b>
41----	15029	QD Fitting Cover



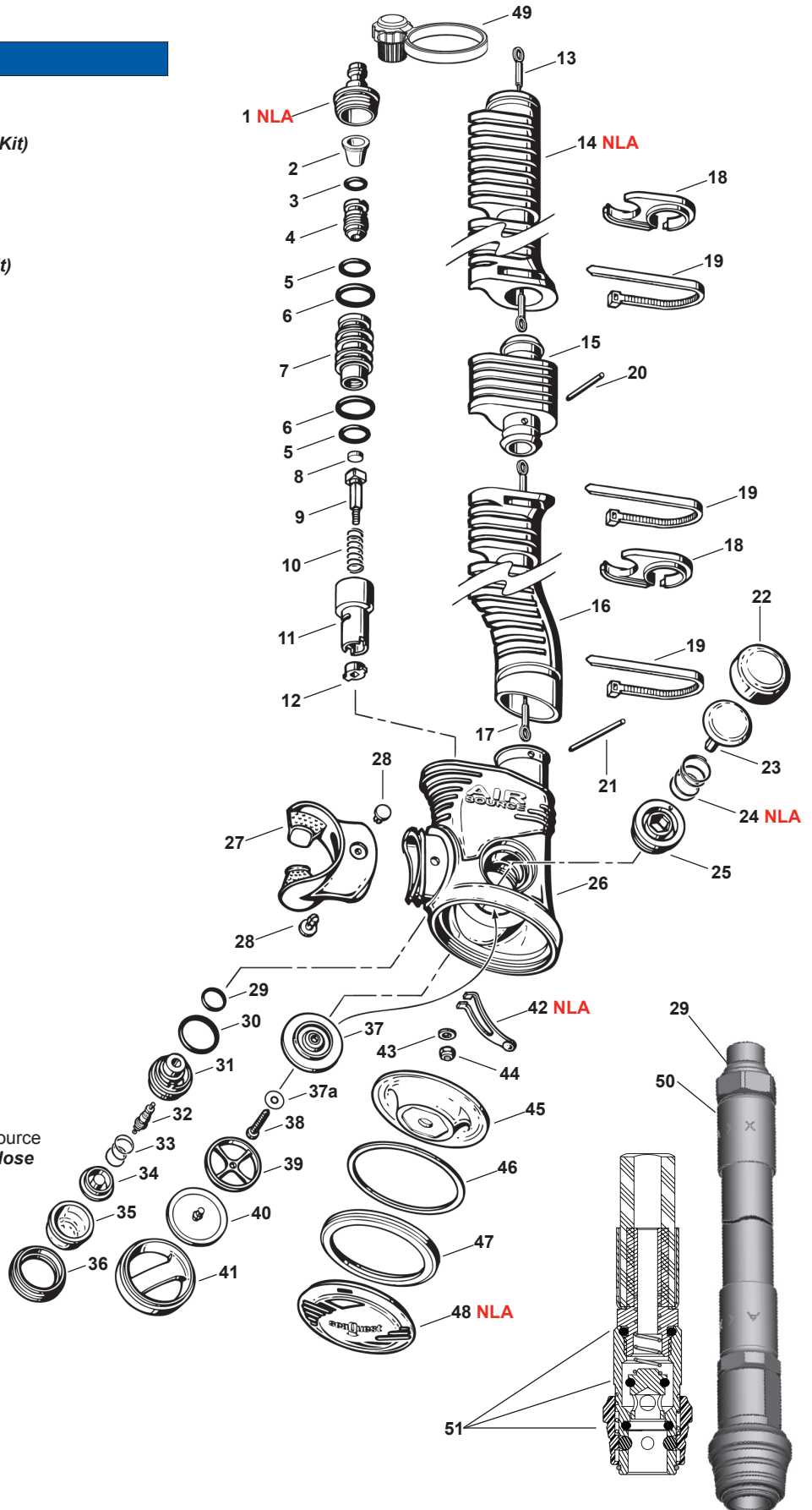
Part numbers in **BOLD ITALICS** indicate standard overhaul replacement part.

## Air Source 2

**2002-2007 Discontinued**

Key #	Part #	Description
-------	--------	-------------

----	<b>42608</b>	<b>Service Kit, Airsource 2</b>
1 ---	<b>NLA</b>	Quick disconnect fitting
2 ---	<b>NLA</b>	<b>Sintered Filter (only in Sv Kit)</b>
3 ----	<b>820010P</b>	<b>O-ring (25 pk)</b>
4 ----	15026	Crown
5 ---	<b>820013P</b>	<b>O-ring (10 pk)</b>
6 ----	<b>820120P</b>	<b>O-ring (10 pk)</b>
7 ---	15089	Crown Housing
8 ---	<b>NLA</b>	<b>Poppet Seat (only in Sv Kit)</b>
9 ---	15103	Poppet
10 ---	15110	Poppet Spring
11 ---	15113	Poppet Housing
12 ---	15049	Poppet Guide
13 ---	15118	Upper Cable 8.75"
14 ---	<b>NLA</b>	<b>Spiral Hose, 8"</b>
15 ---	15090	Trim Grip
16 ---	15098	Spiral Hose, 6"
17 ---	15117	Lower Cable
18 ---	15735	Hose Clip
19 ---	<b>15719</b>	<b>Clamp</b>
20 ---	15106	Pin, 0.71
21 ---	15610	Pin, 1.0
22 ---	15099	Oral Button Cover
23 ---	15083	Oral Poppet
24 ---	<b>NLA</b>	<b>Oral Spring</b>
25 ---	15093	Oral Bezel
26 ---	15094	Body
27 ---	42802	Mouthpiece
28 ---	15104	Mouthpiece Retainer
29 ---	<b>820011P</b>	<b>O-ring (25 pk)</b>
30 ---	<b>820016P</b>	<b>O-ring (10 pk)</b>
31 ---	15092	Valve Retainer
32 ---	<b>778564</b>	<b>Valve Core</b>
33 ---	15112	Spring
34 ---	15081	Inflator Button
35 ---	15100	Inflator Button Cover, Gray
36 ---	15080	Inflator Bezel
37 ---	42641	Oral Seal Kit
37a ---	<b>NLA</b>	<b>Oral Seal Washer</b>
38 ---	15107	Screw
39 ---	15078	Exhaust Retainer
40 ---	15132	Exhaust Valve, Gray
41 ---	15082	Exhaust Cap
42 ---	<b>NLA</b>	<b>Demand Lever w/ Button</b>
43 ---	15039	Washer
44 ---	<b>15020</b>	<b>Locknut</b>
45 ---	42803	Diaphragm Assy
46 ---	15084	Diaphragm Ring
47 ---	15087	Diaphragm Retaine
48 ---	<b>NLA</b>	<b>Purge Button</b>
49 ---	15029	QD Fitting Cover
50 ---	25460	27" MP Braided Hose, Air Source
51 ---	<b>42639</b>	<b>O-ring Kit, Airsource QD Hose</b>



Part numbers in **BOLD ITALICS** indicate standard overhaul replacement part.

Current Models

Key # Part # Description

**Axiom 2012> (Aqua Lung)**

- 1 ---- 42797 Weight Pouch, 10lb, Surelock II, XS-ML
- 2 ---- 42799 Weight Pouch, 15lb, Surelock II, L-XXL
- 3 ---- 15309 Gasket, Universal Connector
- 4 ---- 45822 MP Braided Hose, 22", (XS, S, M)
- 5 ---- 45825 MP Braided Hose, 25", (ML, L)
- 6 ---- 45827 MP Braided Hose, 27", (XL, XXL)
- 7 ---- 12234 Pull Knob, Nyl, Blk
- 8 ---- 42764 Low Profile Dump Valve Kit
- 9 ---- 12003 Zip Pull w/ Cord
- 10 ---- 428230 Cylinder Band, Grip Lock 2"
- 11 ---- 427072 Chest Strap Kit, Rail Style

**Backpack Parts**

- 12 ---- 12121 Wrapture Backpack/Frame
- 13 ---- 12137 Plate (oval shaped)
- 14 ---- 15050 Screw, 10-24 X 3/8" (for center of pack)
- 15 ---- 15051 Threaded Barrel (for center of pack)
- 16 ---- 15135 Flanged Nut, 10-24 (for plate)
- 17 ---- 15136 Screw, 10-24 X 3/4" (for plate)

**Optional Upgrade**

- 18 ---- 427105 Twin Tank Kit, AQ, Wrapture



Key # Part # Description

**Axiom i3 2012> (Aqua Lung)**

- 1 ---- 42797 Weight Pouch, 10lb, Surelock II, XS-ML
- 2 ---- 42799 Weight Pouch, 15lb, Surelock II, L-XXL
- 3 ---- 15309 Gasket, Universal Connector
- 4 ---- 45827 MP Braided Hose, 27", (XS, S)
- 5 ---- 45833 MP Braided Hose, 33", (M, ML, L)
- 6 ---- 45836 MP Braided Hose, 36", (XL)
- 7 ---- 45840 MP Braided Hose, 40", (XXL)
- 8 ---- 15430 Cover, QD, w/ Cord, i3 Inflator
- 9 ---- 12234 Pull Knob, Nyl, Blk
- 10 ---- 12003 Zip Pull w/ Cord
- 11 ---- 427026 Zip Pull Kit (2ea)
- 12 ---- 428230 Cylinder Band, Grip Lock 2"
- 13 ---- 427072 Chest Strap Kit, Rail Style
- 14 ---- 42773 Oral Inflator Assembly

**Backpack Parts**

- 15 ---- 12121 Wrapture Backpack/Frame
- 16 ---- 12137 Plate (oval shaped)
- 17 ---- 15050 Screw, 10-24 X 3/8" (for center of pack)
- 18 ---- 15051 Threaded Barrel (for center of pack)
- 19 ---- 15135 Flanged Nut, 10-24 (for plate)
- 20 ---- 15136 Screw, 10-24 X 3/4" (for plate)

**Optional Upgrade**

- 21 ---- 427105 Twin Tank Kit, AQ, Wrapture



Current Models

Key #	Part #	Description
-------	--------	-------------

**Black Ice 2013> (Apeks)**

- 1 ---- 42798 Weight Pouch, 16lb, Surelock II
- 2 ---- 15309 Gasket, Universal Connector
- 3 ---- 45827 MP Braided Hose, 27"
- 4 ---- 428240 GripLock Tank Band, Apeks
- 5 ---- 42704 Low Profile Dump Valve Kit, Apeks
- 6 ---- 427039 Chest Strap Kit
- 7 ---- 12234 Pull Knob, Nyl, Blk
- 8 ---- 120161 Zip Clip, Zipper Pull, Male
- 9 ---- 120162 Zip Clip, Zipper Pull, Female
- 10 ---- 397100 Bladder w/Dump Valves
- 11 ---- 397102 Waistband Assy, SM/MD
- 12 ---- 397104 Waistband Assy, ML/LG
- 13 ---- 397106 Waistband Assy, XL/XXL
- 14 ---- 397112 Shoulder Set, SM/MD
- 15 ---- 397114 Shoulder Set, ML/XXL
- 16 ---- 397122 Back Harness, SM/LG
- 17 ---- 397124 Back Harness, XL/XXL
- 18 ---- 397107 Nut/Bolt Kit, 4pk (for Multi-set Waistband & Shoulders)
- 19 ---- 15071 Screw (for Multi-set Waistband & Shoulders)
- 20 ---- 15072 Nut (for Multi-set Waistband & Shoulders)
- 21 ---- 42778 Inflator Hold Down, Reflective

**Backpack Parts**

- 22 ---- 22121 Wrapture Backpack/Frame, Blk Ice
- 23 ---- 12137 Plate (oval shaped)
- 24 ---- 15136 Screw, 10-24 X 3/4" (for plate)
- 25 ---- 15135 Flanged Nut, 10-24 (for plate)
- 26 ---- 15050 Screw, 10-24 X 3/8" (for center of pack)
- 27 ---- 15051 Threaded Barrel (for center of pack)
- 28 ---- 397101 Backpad

**Optional Upgrade**

- 29 ---- 427030 Waistband Expander Kit, 2-req'd (adds 6" in length)
- 30 ---- 427106 Twin Tank Kit, Apeks, Wrapture
- 31 ---- 427038 Crotch Strap Kit



Key #	Part #	Description
-------	--------	-------------

**Dimension i3 • Lotus i3 2011> (Aqua Lung)**

- 1 ---- 42797 Weight Pouch, 10lb, Surelock II
- 2 ---- 15309 Gasket, Universal Connector
- 3 ---- 45827 MP Braided Hose, 27", (XS/S, S)
- 4 ---- 45833 MP Braided Hose, 33", (M, ML, L)
- 5 ---- 45836 MP Braided Hose, 36", (XL)
- 6 ---- 15430 Cover, QD, w/ Cord, i3 Inflator
- 7 ---- 12277 Pull Knob, Nyl, Blk
- 8 ---- 12003 Zip Pull w/ Cord
- 9 ---- 427026 Zip Pull Kit (2ea)
- 10 ---- 28228 Universal Cylinder Band
- 11 ---- 12134 Traction Sleeve, Small
- 12 ---- 428230 Cylinder Band, Grip Lock 2"
- 13 ---- 427072 Chest Strap Kit, Rail Style
- 14 ---- 427104 Bungee
- 15 ---- 42773 Oral Inflator Assembly

**Backpack Parts**

- 16 ---- 12121 Wrapture Backpack/Frame
- 17 ---- 12137 Plate (oval shaped)
- 18 ---- 15050 Screw, 10-24 X 3/8" (for center of pack)
- 19 ---- 15051 Threaded Barrel (for center of pack)
- 20 ---- 15135 Flanged Nut, 10-24 (for plate)
- 21 ---- 15136 Screw, 10-24 X 3/4" (for plate)

**Optional Upgrade**

- 22 ---- 427105 Twin Tank Kit, AQ, Wrapture



Current Models

Key # Part # Description

**Dimension • Lotus 2016> (Aqua Lung)**

- 1---- 42797 Weight Pouch, 10lb, Surelock II
- 2---- 15309 Gasket, Universal Connector
- 3---- 45827 MP Braided Hose, 27", (XS/S, S)
- 4---- 45833 MP Braided Hose, 33", (M, ML, L)
- 5---- 45836 MP Braided Hose, 36", (XL)
- 7---- 12277 Pull Knob, Nyl, Blk
- 8---- 12003 Zip Pull w/ Cord
- 9---- 427026 Zip Pull Kit (2ea)
- 10---- 28228 Universal Cylinder Band
- 11---- 12134 Traction Sleeve, Small
- 12---- 428230 Cylinder Band, Grip Lock 2"
- 13---- 42764 Low Profile Dump Valve Kit
- 14---- 427072 Chest Strap Kit, Rail Style
- 15---- 427104 Bungee

**Backpack Parts**

- 16---- 12121 Wrapture Backpack/Frame
- 17---- 12137 Plate (oval shaped)
- 18---- 15050 Screw, 10-24 X 3/8" (for center of pack)
- 19---- 15051 Threaded Barrel (for center of pack)
- 20---- 15135 Flanged Nut, 10-24 (for plate)
- 21---- 15136 Screw, 10-24 X 3/4" (for plate)

**Optional Upgrade**

- 22---- 427105 Twin Tank Kit, AQ, Wrapture



Key # Part # Description

**Pearl 2017> (Aqua Lung)**

- 1---- 42797 Weight Pouch, 10lb, Surelock II
- 2---- 12068 Zip Pull w/ Cord, Pink
- 3---- 12069 Zip Pull w/Cord, Purple
- 4---- 12235 Buckle, Female, 1.5" Airlock
- 5---- 12236 Buckle, Male w/Thumbtab, 1.5" Airlock
- 6---- 12277 Pull Knob, Nyl, Blk
- 7---- 15309 Gasket, Universal Connector
- 8---- 45822 MP Braided Hose, 22" (XS, SM, MD)
- 9---- 45825 MP Braided Hose, 25" (ML)
- 10---- 28228 Universal Cylinder Band
- 11---- 42764 Low Profile Dump Valve Kit



## Current Models

Key #	Part #	Description
-------	--------	-------------

### Pro HD 2015> (Aqua Lung)

- |        |        |                                    |
|--------|--------|------------------------------------|
| 1----  | 42797  | Wt Pouch, 10lb, Surelock II, XS-ML |
| 2----  | 42799  | Wt Pouch, 15lb, Surelock II, LG-XL |
| 3----  | 12247  | Buckle, Female, 2.0" Airlock       |
| 4----  | 12248  | Buckle, Male, 2.0" Airlock         |
| 5----  | 12241  | Buckle, Male, 1.0" Airlock         |
| 6----  | 15309  | Gasket, Universal Connector        |
| 7----  | 45822  | MP Braided Hose, 22", XS-MD        |
| 8----  | 45825  | MP Braided Hose, 25", ML-LG        |
| 9----  | 45827  | MP Braided Hose, 27", XL           |
| 10---- | 28228  | Universal Cylinder Band            |
| 11---- | 42764  | Low Profile Dump Valve Kit         |
| 12---- | 12167  | Zip Pull, W/Cord, Blue             |
| 13---- | 12234  | Pull Knob, Blk                     |
| 14---- | 427190 | Waistband Set, Adjustable Web, XS  |
| 15---- | 427191 | Waistband Set, Adjustable Web, SM  |
| 16---- | 427192 | Waistband Set, Adjustable Web, MD  |
| 17---- | 427193 | Waistband Set, Adjustable Web, ML  |
| 18---- | 427194 | Waistband Set, Adjustable Web, LG  |
| 19---- | 427195 | Waistband Set, Adjustable Web, XL  |
| 20---- | 427196 | Waistband Set, Adjustable Web, XXL |

#### Backpack Parts

- |        |        |  |
|--------|--------|--|
| 21---- | 12131  | Backpack Frame                         |
| 22---- | 427028 | Cradle, co-molded (w/strap)            |
|        | 12132  | Cradle, co-molded (strap not included) |
| 23---- | 427027 | Positioning strap                      |
| 24---- | 15437  | Screw, 10 X 3/4" Panhead (need 6)      |
| 25---- | 427096 | Backpad, Black, Universal              |



Key #	Part #	Description
-------	--------	-------------

### Pro 2016> (Aqua Lung)

- |        |        |                                    |
|--------|--------|------------------------------------|
| 3----  | 12247  | Buckle, Female, 2.0" Airlock       |
| 4----  | 12248  | Buckle, Male, 2.0" Airlock         |
| 5----  | 12241  | Buckle, Male, 1.0" Airlock         |
| 6----  | 15309  | Gasket, Universal Connector        |
| 7----  | 45822  | MP Braided Hose, 22", XS-MD        |
| 8----  | 45825  | MP Braided Hose, 25", ML-LG        |
| 9----  | 45827  | MP Braided Hose, 27", XL           |
| 10---- | 28228  | Universal Cylinder Band            |
| 11---- | 42764  | Low Profile Dump Valve Kit         |
| 12---- | 12167  | Zip Pull, W/Cord, Blue             |
| 13---- | 12234  | Pull Knob, Blk                     |
| 14---- | 427190 | Waistband Set, Adjustable Web, XS  |
| 15---- | 427191 | Waistband Set, Adjustable Web, SM  |
| 16---- | 427192 | Waistband Set, Adjustable Web, MD  |
| 17---- | 427193 | Waistband Set, Adjustable Web, ML  |
| 18---- | 427194 | Waistband Set, Adjustable Web, LG  |
| 19---- | 427195 | Waistband Set, Adjustable Web, XL  |
| 20---- | 427196 | Waistband Set, Adjustable Web, XXL |

#### Backpack Parts

- |        |        |  |
|--------|--------|--|
| 21---- | 12131  | Backpack Frame                         |
| 22---- | 427028 | Cradle, co-molded (w/strap)            |
|        | 12132  | Cradle, co-molded (strap not included) |
| 23---- | 427027 | Positioning strap                      |
| 24---- | 15437  | Screw, 10 X 3/4" Panhead (need 6)      |
| 25---- | 427096 | Backpad, Black, Universal              |



Current Models

Key # Part # Description

**Soul i3 2013> (Aqua Lung)**

- 1 ---- 42797 Wt Pouch, 10lb, Surelock II
- 2 ---- 428230 Cylinder Band, Grip Lock 2"
- 3 ---- 12277 Pull Knob, Black
- 4 ---- 15309 Gasket, Universal Connector
- 5 ---- 45827 MP Braided Hose, 27" (XXS & XS/S)
- 6 ---- 45833 MP Braided Hose, 33" (M & ML)
- 7 ---- 12003 Zip Pull, W/Cord
- 8 ---- 427026 Zip Pull Kit (2ea)
- 9 ---- 15430 Cover, QD, w/ Cord, i3 Inflator
- 10 ---- 42773 Oral Inflator Assembly
- 11 ---- 427072 Chest Strap Kit, Rail Style

**Backpack Parts**

- 12 ---- 12121 Wrapture Backpack/Frame
- 13 ---- 12137 Plate (oval shaped)
- 14 ---- 15050 Screw, 10-24 X 3/8" (for center of pack)
- 15 ---- 15051 Threaded Barrel (for center of pack)
- 16 ---- 15135 Flanged Nut, 10-24 (for plate)
- 17 ---- 15136 Screw, 10-24 X 3/4" (for plate)

**Optional Upgrade**

- 18 ---- 427105 Twin Tank Kit, AQ, Wrapture



Key # Part # Description

**Soul 2017> (Aqua Lung)**

- 1 ---- 42797 Wt Pouch, 10lb, Surelock II
- 2 ---- 428230 Cylinder Band, Grip Lock 2"
- 3 ---- 12277 Pull Knob, Black
- 4 ---- 15309 Gasket, Universal Connector
- 5 ---- 45822 MP Braided Hose, 22" (XS & S & M)
- 6 ---- 45825 MP Braided Hose, 25" (ML)
- 7 ---- 12190 Zip Pull W/Cord, Charcoal
- 8 ---- 12169 Zip Pull W/Cord, Purple
- 9 ---- 427072 Chest Strap Kit, Rail Style
- 10 ---- 42764 Low Profile Dump Valve Kit

**Backpack Parts**

- 11 ---- 12121 Wrapture Backpack/Frame
- 12 ---- 12137 Plate (oval shaped)
- 13 ---- 15050 Screw, 10-24 X 3/8" (for center of pack)
- 14 ---- 15051 Threaded Barrel (for center of pack)
- 15 ---- 15135 Flanged Nut, 10-24 (for plate)
- 16 ---- 15136 Screw, 10-24 X 3/4" (for plate)

**Optional Upgrade**

- 17 ---- 427105 Twin Tank Kit, AQ, Wrapture



Current Models

Key #	Part #	Description
-------	--------	-------------

**WSX Side Mount Harness (Apeks)**

1	600617	D-ring, 2.0 Bent, Bright S/S
2	12252	Slide, 2.0, 3 Bar, S/S Serrated
3	12315	Ring, Left Waist, S/S
4	12316	Ring, Right Waist, S/S
5	12285	Buckle, 2.0, S/S, Cam, Heavy Duty
6	42782	Elastic Retainer Loop, 1.5, Straps
7	42662	Airway, Complete, WTX-K
8	45822	Inflator Hose, Braided, 3/8" x 22"
9	15309	Gasket Universal Connector
10	42754	Dump Valve Kit, Universal
11	42764	Dump Valve Kit, Low Profile
12	12234	Pull Knob, Black
13	388701	WSX Harness
14	388702	Spine Pack
15	388703	Pocket
16	388704	Grommet Strip (2pk)
17	388705	Bungee Kit, Lg
18	388706	Bungee Kit, Sm
19	388707	Hardware Kit
20	388708	Slide Lock w/Bungee (2pk)
21	388715	5lb Trim Pocket (2pk)
22	388700	Air Cell, WSX 25lb
	388709	Air Cell, WSX 45lb
23	388710	Air Cell, Redundant, WSX 25lb
	388711	Air Cell, Redundant, WSX 45lb



Key #	Part #	Description
-------	--------	-------------

**WTX Harness • WTX Deluxe Webbed Harness 2006> (Apeks)**

1	12071	D-ring, 2.0, Dull Tumbled S/S, .25 Dia
2	12252	Slide, 2.0, 3 Bar, S/S Serrated
3	12253	D-ring, 2.0, Bent, Dull Tumbled, S/S
4	12285	Buckle, 2.0, S/S, Cam, Heavy Duty
5	428240	GripLock Tank Band, Apeks
6	28228	Universal Cylinder Band
7	10017	Traction Sleeve, for Univ.Cylinder Band
8	427039	Chest Strap Kit, WTX
9	762325	Slide, Buckle, Black, Delrin
10	42778	Inflator Hold Down, Reflective, Black, WTX
11	42779	Backpad, WTX
12	42780	Crotch Strap Kit, 2.0
13	42781	Elastic Retainer Loop, 1.0, Chest, WTX
14	42782	Elastic Retainer Loop, 1.5, Straps
15	42786	Neo Sleeve, Dlx (1-each)

**Wt System, Surelock, 10lb**

1	15050	Screw, 10-24 X 3/8"
2	15051	Threaded Barrel
3	42784	Wt Pouch, 10lb. Surelock
4	42785	Wt Holster

**Wt System, Surelock Attachment**

1	15050	Screw, 10-24 X 3/8"
2	15051	Threaded Barrel
3	15128	Washer, Shoulder, 1/4, Nylon

**WTX-D • WTX-D PSD 2014> (Apeks)**

1	12308	Buckle, 2.0, S/S, Cam, Heavy Duty, PSD
---	-------	--

**Bladder, WTX-D18, WTX-D30, WTX-D40**

1	42704	Dump Valve Kit, Low Profile, Apeks
2	288118	Bladder, WTX-D18
3	288140	Bladder, WTX-D30/40

**Bladder, WTX-D Twin 45/60**

1	42837	Bladder, WTX-D Twin 45/60
---	-------	---------------------------

**Bladder, WTX-D Twin 60**

1	42838	Bladder, WTX-D Twin 60 Primary
2	42839	Bladder, WTX-D Twin 60 Redundant



## Current Models

Key #	Part #	Description
-------	--------	-------------

### Wave 2016> (Aqua Lung)

- |        |        |                                    |
|--------|--------|------------------------------------|
| 1----  | 42797  | Wt Pouch, 10lb, Surelock II        |
| 2----  | 12247  | Buckle, Female, 2.0" Airlock       |
| 3----  | 12248  | Buckle, Male, 2.0" Airlock         |
| 4----  | 12241  | Buckle, Male, 1.0" Airlock         |
| 5----  | 15309  | Gasket, Universal Connector        |
| 6----  | 43827  | MP Hose, 27"                       |
| 7----  | 28228  | Universal Cylinder Band            |
| 8----  | 42754  | Dump Valve Kit, Universal          |
| 9----  | 12003  | Zip Pull, W/Cord                   |
| 10---- | 12249  | Pull Knob, Orange                  |
| 11---- | 427189 | Waistband Set, Adjustable Web, XXS |
| 12---- | 427190 | Waistband Set, Adjustable Web, XS  |
| 13---- | 427191 | Waistband Set, Adjustable Web, SM  |
| 14---- | 427192 | Waistband Set, Adjustable Web, M   |
| 15---- | 427194 | Waistband Set, Adjustable Web, LG  |
| 16---- | 427195 | Waistband Set, Adjustable Web, XL  |
| 17---- | 427103 | Weight System, Complete            |
| 18---- | 427101 | Weight Sheath, Left Side           |
| 19---- | 427102 | Weight Sheath, Right Side          |

### Backpack Parts

- |        |        |  |
|--------|--------|--|
| 20---- | 12131  | Backpack Frame                         |
| 21---- | 427028 | Cradle, co-molded (w/strap)            |
|        | 12132  | Cradle, co-molded (strap not included) |
| 22---- | 427027 | Positioning strap                      |
| 23---- | 15437  | Screw, 10 X 3/4" Panhead (need 6)      |
| 24---- | 427096 | Backpad, Black, Universal              |



Key #	Part #	Description
-------	--------	-------------

### Zuma 2010> (Aqua Lung)

- |        |        |  |
|--------|--------|--|
| 1----  | 42797  | Wt Pouch, 10lb, Surelock II                            |
| 2----  | 12235  | Buckle, Female, 1.5" Airlock                           |
| 3----  | 12261  | Buckle, Male, 1.5" Airlock                             |
| 4----  | 12017  | Buckle, Male, 3/4" Airlock                             |
| 5----  | 15309  | Gasket, Universal Connector                            |
| 6----  | 45822  | MP Braided Hose, 22", XS-MD                            |
| 7----  | 45825  | MP Braided Hose, 25", ML-LG                            |
| 8----  | 45827  | MP Braided Hose, 27", XL/XXL                           |
| 9----  | 28228  | Universal Cylinder Band                                |
| 10---- | 12277  | Pull Knob, Blk   |
| 11---- | 10017  | Traction Sleeve for Cylinder Band                      |
| 12---- | 427072 | Chest Strap Kit, Rail Style                            |
| 13---- | 427085 | Trim Pocket (5 lb/2.2 Kg)                              |
| 14---- | 427006 | Bladder, Black w/Dump Valves, (22lb/10Ltr) XS-S/S-M    |
| 15---- | 427007 | Bladder, Black w/Dump Valves, (34lb/15Ltr) ML-L/XL-XXL |
| 16---- | 42764  | Low Profile Dump Valve Kit                             |



**Discontinued Models**

Key #	Part #	Description
-------	--------	-------------

**Black Diamond (Sea Quest) 1995-12**

- 1 ---- 42798 Weight Pouch, 16lb, Surelock II
- 2 ---- 42768 Weight Pouch, 16lb, Surelock
- 3 ---- 42716 Weight Pouch, Universal, 16 lb
- 4 ---- 15071 Screw (for Multi-set Waistband)
- 5 ---- 15072 Nut (for Multi-set Waistband)
- 6 ---- 15309 Gasket, Universal Connector
- 7 ---- 45825 MP Braided Hose, 25", SM
- 8 ---- 45827 MP Braided Hose, 27", MD-XL
- 9 ---- 28228 Universal Cylinder Band
- 10 ---- 42754 Dump Valve Kit, Universal
- 11 ---- 427039 Chest Strap Kit (1996+)

*Optional Upgrades*

- 12 ---- 427030 Waistband Expander Kit, 2-req'd (adds 6" in length)
- 13 ---- 427038 Crotch Strap Kit (1997+)
- 14 ---- 427042 Twin Tank Kit, Unv Tnkbd (Lrg Contour Pack only)
- 427107 Twin Tank Kit, Griplock (Lrg Contour Pack only)
- 15 ---- 427040 Carry Handle Kit (Large Contour Pack only)



**Black Diamond Waist Bands**

*with Aqua Lung Swivel Buckle*

- 16 ---- 431411 Waistband Assy, 377/304, SM, w/Surelock
- 17 ---- 431412 Waistband Assy, 377/304, MD, w/Surelock
- 18 ---- 431413 Waistband Assy, 377/304, ML, w/Surelock
- 19 ---- 431414 Waistband Assy, 377/304, LG, w/Surelock
- 20 ---- 431415 Waistband Assy, 377/304, XL, w/Surelock

*Aqua Lung Swivel Buckle*



**NOTE:** The buckles are not interchangeable! Confirm, which model waistband you need by identifying the buckle type. The shoulder buckles are not sold separately.

**Black Diamond Waist Bands**

*with SeaQuest Swivel Buckle*

- 21 ---- 430411 Waistband Assy, 377, SM, w/Surelock
- 22 ---- 430412 Waistband Assy, 377, MD, w/Surelock
- 23 ---- 430413 Waistband Assy, 377, ML, w/Surelock
- 24 ---- 430414 Waistband Assy, 377, LG, w/Surelock
- 25 ---- 430415 Waistband Assy, 377, XL, w/Surelock
- 26 ---- 43020.1 Waistband Assembly, 360, SM
- 27 ---- 43020.2 Waistband Assembly, 360, MD
- 28 ---- 43020.3 Waistband Assembly, 360, ML
- 29 ---- 43020.4 Waistband Assembly, 360, LG
- 30 ---- 43020.5 Waistband Assembly, 360, XL

*SeaQuest Swivel Buckle*



**Discontinued Models**

**Key # Part # Description**

**Balance • Libra 2006-16 (Sea Quest)**

- 1 ---- 42797 Weight Pouch, 10lb, Surelock II
- 2 ---- 42767 Weight Pouch, 10lb, Surelock
- 3 ---- 42726 Weight Pouch, Universal 10lb
- 4 ---- 15309 Gasket, Universal Connector
- 5 ---- 45822 MP Braided Hose, 22", SM-MD
- 6 ---- 45825 MP Braided Hose, 25", ML-LG
- 7 ---- 45827 MP Braided Hose, 27", XL
- 8 ---- 28228 Universal Cylinder Band
- 9 ---- 42754 Dump Valve Kit, Universal
- 10 ---- 42764 Low Profile Dump Valve Kit
- 11 ---- 427039 Chest Strap Kit (Libra only)
- Optional Upgrade*
- 12 ---- 427040 Carry Handle Kit (Large Contour Pack only)
- 13 ---- 427042 Twin Tank Kit (Large Contour Pack only)



**Key # Part # Description**

**Diva LX • Diva XLT • Diva QD • Diva (Sea Quest)**

- 1 ---- 42797 Weight Pouch, 10lb, Surelock II
- 2 ---- 42767 Weight Pouch, 10lb, Surelock
- 3 ---- 42726 Weight Pouch, Universal, 10lb
- 4 ---- 12019 Clip Lock, Multi-set Waistband
- 5 ---- 12235 Buckle, Female, 1.5", Airlock
- 6 ---- 12024 Buckle, Female, 1.5", Standard (pre-2002)
- 7 ---- 12240 Buckle, Female, 1.0", Airlock
- 8 ---- 12241 Buckle, Male, 1.0", Airlock
- 9 ---- 12048 Buckle, Female, 1.0" Standard (pre-2002)
- 10 ---- 12088 Buckle, Male, 1.0", Standard (pre-2002)
- 11 ---- 15309 Gasket, Universal Connector
- 12 ---- 45822 MP Braided Hose, 22", XS-MD
- 13 ---- 45825 MP Braided Hose, 25", ML-LG
- 14 ---- 42754 Dump Valve Kit, Universal
- 15 ---- 28228 Universal Cylinder Band
- 16 ---- 12039 Accessory Hose Clip
- 17 ---- 12060 Snaphook



**Discontinued Models**

**Key # Part # Description**

**Latitude XLT • Latitude 2005-09 (Sea Quest)**

- 1 ---- 42797 Weight Pouch, 10lb XS-ML, Surelock II (XLT)
  - 2 ---- 42767 Weight Pouch, 10lb, XS-ML Surelock (XLT)
  - 3 ---- 42726 Weight Pouch, Universal, 10lb
  - 4 ---- 42798 Weight Pouch, 16lb LG-XL, Surelock II (XLT)
  - 5 ---- 42768 Weight Pouch, 16lb LG-XL, Surelock (XLT)
  - 6 ---- 15309 Gasket, Universal Connector
  - 7 ---- 42754 Dump Valve Kit, Universal
  - 8 ---- 28228 Universal Cylinder Band
  - 9 ---- 10017 Traction Sleeve for Tank Band (XLT)
  - 10 ---- 12241 Buckle, Male, 1.0 Airlock (XLT)
  - 11 ---- 15665 Cap, Universal Connector
  - 12 ---- 45822 MP Braided Hose, 22" XS-MD
  - 13 ---- 45825 MP Braided Hose, 25" ML-LG
  - 14 ---- 45827 MP Braided Hose, 27" XL
  - 15 ---- 427190 Waistband Set, Adjustable Web, XS (XLT)
  - 16 ---- 427191 Waistband Set, Adjustable Web, SM (XLT)
  - 17 ---- 427192 Waistband Set, Adjustable Web, MD (XLT)
  - 18 ---- 427193 Waistband Set, Adjustable Web, ML (XLT)
  - 19 ---- 427194 Waistband Set, Adjustable Web, LG (XLT)
  - 20 ---- 427195 Waistband Set, Adjustable Web, XL (XLT)
  - 21 ---- 12247 Buckle, F, 2.0 Airlock (XLT)
  - 22 ---- 12248 Buckle, M, 2.0 Airlock (XLT)
  - 23 ---- 12235 Buckle, F, 1.5 Airlock
  - 24 ---- 12261 Buckle, M, 1.5 Airlock
  - 25 ---- 427039 Chest Strap Kit
- Backpack Parts**
- 26 ---- 12126 Backpack Frame (XLT)
  - 27 ---- 12127 Pack Cradle, W/Pad Installed, Blk (XLT)
  - 28 ---- 15129 Bolt, 19mm Hex, Brass, Chrome/Pltd (XLT)
  - 29 ---- 15130 Nut, 19mm Hex, Brass, Chrome/Pltd (XLT)



**Key # Part # Description**

**Malibu 2006-08 (Aqua Lung/Sea Quest)**

- 1 ---- 42726 Weight Pouch, Universal, 10lb
- 2 ---- 42754 Dump Valve Kit, Universal
- 3 ---- 10017 Traction Sleeve, Universal Tank Band
- 4 ---- 28228 Universal Cylinder Band
- 5 ---- 761947 Stabilizer Strap, Cylinder
- 6 ---- 12024 Buckle, Female, 1.5", Standard
- 7 ---- 12037 Buckle, Male, 1.5", Standard
- 8 ---- 12235 Buckle, Female, 1.5", Airlock
- 9 ---- 12261 Buckle, Male, 1.5", Airlock
- 10 ---- 12240 Buckle, Female, 1.0", Airlock
- 11 ---- 12241 Buckle, Male, 1.0", Airlock
- 12 ---- 15309 Gasket, Universal Connector
- 13 ---- 45825 MP Braided Hose, 25", XS-MD
- 14 ---- 45827 MP Braided Hose, 27", LG-XL
- 15 ---- 427039 Chest Strap Kit
- 16 ---- 12060 Snaphook (in key pocket)
- 17 ---- 088152 Cord Lock for Mesh Bag (post 9/05)



**Discontinued Models**

Key #	Part #	Description
-------	--------	-------------

**Pacifica 2007-08 (Sea Quest)**

- 1 ---- 15309 Gasket, Universal Connector
- 2 ---- 42754 Dump Valve Kit, Universal
- 3 ---- 28228 Universal Cylinder Band
- 4 ---- 10017 Traction Sleeve for Tank Band
- 5 ---- 12241 Buckle, Male, 1.0, Airlock
- 6 ---- 15665 Cap, Universal Connector
- 7 ---- 45822 MP Hose, Braided, 22", XS-MD
- 8 ---- 45825 MP Hose, Braided, 25", ML-LG
- 9 ---- 45827 MP Hose, Braided, 27", XL
- 10 ---- 427190 Waistband Set, Adjustable Web, XS
- 11 ---- 427191 Waistband Set, Adjustable Web, SM
- 12 ---- 427192 Waistband Set, Adjustable Web, MD
- 13 ---- 427193 Waistband Set, Adjustable Web, ML
- 14 ---- 427194 Waistband Set, Adjustable Web, LG
- 15 ---- 427195 Waistband Set, Adjustable Web, XL
- 16 ---- 12247 Buckle, F, 2.0, Airlock, Blk 5502100
- 17 ---- 12248 Buckle, M, 2.0, Airlock, Blk 5501100

**Backpack Parts**

- 18 ---- 12126 Backpack Frame
- 19 ---- 12127 Pack Cradle, w/ Pad Installed, Blk
- 20 ---- 15129 Bolt, 19mm Hex, Brass Chrome/Pltd
- 21 ---- 15130 Nut, 19mm Hex, Brass Chrome/Pltd
- 22 ---- 427096 Backpad, Black, Universal



Key #	Part #	Description
-------	--------	-------------

**Passport 2006-07 (Sea Quest)**

- 1 ---- 42726 Weight Pouch, Universal, 10lb
- 2 ---- 15309 Gasket, Universal Connector
- 3 ---- 42754 Dump Valve Kit, Universal
- 4 ---- 28228 Universal Cylinder Band
- 5 ---- 10017 Traction Sleeve for Tank Band
- 6 ---- 15665 Cap, Universal Connector
- 7 ---- 45822 MP Braided Hose, 22", XS-MD
- 8 ---- 45825 MP Braided Hose, 25", ML-LG
- 9 ---- 45827 MP Braided Hose, 27", XL
- 10 ---- 427190 Waistband Set, Adjustable Web, XS (2007)
- 11 ---- 427191 Waistband Set, Adjustable Web, SM (2007)
- 12 ---- 427192 Waistband Set, Adjustable Web, MD (2007)
- 13 ---- 427193 Waistband Set, Adjustable Web, ML (2007)
- 14 ---- 427194 Waistband Set, Adjustable Web, LG (2007)
- 15 ---- 427195 Waistband Set, Adjustable Web, XL (2007)
- 16 ---- 12247 Buckle, F, 2.0" Airlock (2007)
- 17 ---- 12248 Buckle, M, 2.0" Airlock (2007)
- 18 ---- 12240 Buckle, F, 1.0" Airlock (2006)
- 19 ---- 12241 Buckle, M, 1.0" Airlock (2006)
- 20 ---- 427039 Chest Strap Kit
- 21 ---- 088152 Cord Lock

**Backpack Parts**

- 22 ---- 12126 Backpack Frame (2007)
- 23 ---- 12127 Pack Cradle, w/ Pad Installed, Blk (2007)
- 24 ---- 15129 Bolt, 19mm Hex, Brass Chrome/Pltd (2007)
- 25 ---- 15130 Nut, 19mm Hex, Brass Chrome/Pltd (2007)
- 26 ---- NLA Backpad w/ Mesh Bag, (2007)



**Discontinued Models**

**Key # Part # Description**

**Pearl i3 2008-12 (Sea Quest)**

- 1 ---- 42797 Weight Pouch, 10lb, Surelock II
- 2 ---- 42767 Weight Pouch, 10lb, Surelock
- 3 ---- 12003 Zip Pull w/ Cord
- 4 ---- 12019 Waistband Clip Lock for Multi-set
- 5 ---- 12235 Buckle, Female, 1.5" Airlock
- 6 ---- 12261 Buckle, Male, 1.5" Airlock
- 7 ---- 12277 Pull Knob, Nyl, Blk
- 8 ---- 15309 Gasket, Universal Connector
- 9 ---- 15430 Cover, QD, w/ Cord, i3 Inflator
- 10 ---- 45827 MP Braided Hose, 27" (XS, SM)
- 11 ---- 45833 MP Braided Hose, 33" (MD, ML, LG)
- 12 ---- 15428 Hose Hat, MP Hose
- 13 ---- 28228 Universal Cylinder Band
- 14 ---- 42773 Oral Inflator Assembly



**Key # Part # Description**

**Pearl 2008-16 (Sea Quest & Aqua )**

- 1 ---- 42797 Weight Pouch, 10lb, Surelock II
- 2 ---- 12003 Zip Pull w/ Cord
- 3 ---- 427026 Zip Pull Kit (2ea)
- 4 ---- 12235 Buckle, Female, 1.5" Airlock
- 5 ---- 12261 Buckle, Male, 1.5" Airlock
- 6 ---- 12277 Pull Knob, Nyl, Blk
- 7 ---- 15309 Gasket, Universal Connector
- 8 ---- 45822 MP Braided Hose, 22" (XS, SM, MD)
- 9 ---- 45825 MP Braided Hose, 25" (ML, LG)
- 10 ---- 28228 Universal Cylinder Band
- 11 ---- 42764 Low Profile Dump Valve Kit



**Discontinued Models**

**Key # Part # Description**

**Pro LT 2010-14 (Aqua Lung)**

- 1 ---- 42797 Wt Pouch, 10lb, Surelock II, XS-ML
- 2 ---- 42798 Wt Pouch, 16lb, Surelock II, LG-XL
- 3 ---- 12247 Buckle, Female, 2.0" Airlock
- 4 ---- 12248 Buckle, Male, 2.0" Airlock
- 5 ---- 12241 Buckle, Male, 1.0" Airlock
- 6 ---- 15309 Gasket, Universal Connector
- 7 ---- 45822 MP Braided Hose, 22", XS-MD
- 8 ---- 45825 MP Braided Hose, 25", ML-LG
- 9 ---- 45827 MP Braided Hose, 27", XL
- 10 ---- 28228 Universal Cylinder Band
- 11 ---- 42754 Dump Valve Kit, Universal
- 12 ---- 12003 Zip Pull, W/Cord
- 13 ---- 12234 Pull Knob, Blk
- 14 ---- 427190 Waistband Set, Adjustable Web, XS
- 15 ---- 427191 Waistband Set, Adjustable Web, SM
- 16 ---- 427192 Waistband Set, Adjustable Web, MD
- 17 ---- 427193 Waistband Set, Adjustable Web, ML
- 18 ---- 427194 Waistband Set, Adjustable Web, LG
- 19 ---- 427195 Waistband Set, Adjustable Web, XL
- 20 ---- 427196 Waistband Set, Adjustable Web, XXL
- 21 ---- 42764 Low Profile Dump Valve Kit

**Backpack Parts**

- 22 ---- 12131 Backpack Frame
- 23 ---- 427028 Cradle, co-molded (w/strap)
- 12132 Cradle, co-molded (strap not included)
- 24 ---- 427027 Positioning strap
- 25 ---- 15437 Screw, 10 X 3/4" Panhead (need 6)
- 26 ---- 427096 Backpad, Black, Universal



**Key # Part # Description**

**Pro QD 2010-12 (Aqua Lung)**

- 1 ---- 42797 Wt Pouch, 10lb, Surelock II, XS-ML
- 2 ---- 42798 Wt Pouch, 16lb, Surelock II, LG-XL
- 3 ---- 12247 Buckle, Female, 2.0" Airlock
- 4 ---- 12248 Buckle, Male, 2.0" Airlock
- 5 ---- 12241 Buckle, Male, 1.0" Airlock
- 6 ---- 15309 Gasket, Universal Connector
- 7 ---- 45822 MP Braided Hose, 22", XS-MD
- 8 ---- 45825 MP Braided Hose, 25", ML-LG
- 9 ---- 45827 MP Braided Hose, 27", XL
- 10 ---- 28228 Universal Cylinder Band
- 11 ---- 42754 Dump Valve Kit, Universal
- 12 ---- 12003 Zip Pull, W/Cord
- 13 ---- 12234 Pull Knob, Blk
- 14 ---- 427190 Waistband Set, Adjustable Web, XS
- 15 ---- 427191 Waistband Set, Adjustable Web, SM
- 16 ---- 427192 Waistband Set, Adjustable Web, MD
- 17 ---- 427193 Waistband Set, Adjustable Web, ML
- 18 ---- 427194 Waistband Set, Adjustable Web, LG
- 19 ---- 427195 Waistband Set, Adjustable Web, XL
- 20 ---- 427196 Waistband Set, Adjustable Web, XXL
- 21 ---- 42764 Low Profile Dump Valve Kit

**Backpack Parts**

- 22 ---- 12131 Backpack Frame
- 23 ---- 427028 Cradle, co-molded (w/strap)
- 12132 Cradle, co-molded (strap not included)
- 24 ---- 427027 Positioning strap
- 25 ---- 15437 Screw, 10 X 3/4" Panhead (need 6)
- 26 ---- 427096 Backpad, Black, Universal



**Discontinued Models**

Key #	Part #	Description
<b>Pro • Pro QD • Pro XLT (Sea Quest)</b>		
<i>Weight Pouches (Pro QD, Pro XLT)</i>		
1 ----	42797	Wt Pouch, 10lb, Surelock II, XS-ML
2 ----	42767	Wt Pouch, 10lb, Surelock, XS-ML
3 ----	42726	Wt Pouch, 10lb, Universal, XS-ML
4 ----	42798	Wt Pouch, 16lb, Surelock II, LG-XXL
5 ----	42768	Wt Pouch, 16lb, Surelock, LG-XXL (ML on XLT)
6 ----	42716	Wt Pouch, 16lb, Universal, LG-XXL
7 ----	12235	Buckle, Female, 1.5", Airlock (Pro, Pro QD)
8 ----	12261	Buckle, Male, 1.5", Airlock (Pro, Pro QD)
9 ----	12241	Buckle, Male, 1.0", Airlock (Pro, Pro QD)
10 ----	12024	Buckle, Female, 1.5", Standard (pre-2002)
11 ----	12037	Buckle, Male, 1.5", Standard (pre-2002)
12 ----	12088	Buckle, Male, 1.0", Standard (pre-2002)
13 ----	15309	Gasket, Universal Connector
14 ----	45822	MP Braided Hose, 22", XS-MD
15 ----	45825	MP Braided Hose, 25", ML-LG
16 ----	45827	MP Braided Hose, 27", XL/XXL
17 ----	28228	Universal Cylinder Band
18 ----	42754	Dump Valve Kit, Universal
19 ----	427040	Carry Handle Kit (Large Contour Pack only)
20 ----	12060	Snaphook
21 ----	4270901	Waistband, Pro XLT, SM
22 ----	4270902	Waistband, Pro XLT, MD
23 ----	4270903	Waistband, Pro XLT, ML
24 ----	4270904	Waistband, Pro XLT, LG
25 ----	4270905	Waistband, Pro XLT, XL
26 ----	427042	Twin Tank Kit, Unv Tnkbn (Lrg Contour Pack only)
----	427107	Twin Tank Kit, Griplock (Lrg Contour Pack only)

Key #	Part #	Description
<b>Pro QD i3 2007-11 (Sea Quest)</b>		
1 ----	42797	Weight.Pouch, 10lb, Surelock II, XS-ML
2 ----	42767	Weight Pouch, 10lb, Surelock, XS-ML
3 ----	42798	Weight Pouch, 16lb, Surelock II, LG-XXL
4 ----	42768	Weight Pouch, 16lb, Surelock, LG-XXL
5 ----	12235	Buckle, Female, 1.5" Airlock
6 ----	12261	Buckle, Male, 1.5" Airlock
7 ----	12241	Buckle, Male, 1.0" Airlock
8 ----	12060	Snap Hook
9 ----	15309	Gasket, Universal Connector
10 ----	45827	MP Braided Hose, 27" (SM)
11 ----	45833	MP Braided Hose, 33" (MD, ML, LG)
12 ----	45836	MP Braided Hose, 36" (XL)
13 ----	45840	MP Braided Hose, 40" (XXL)
14 ----	15428	Hose Hat
15 ----	28228	Universal Cylinder Band
16 ----	427040	Carry Handle Kit (Large Contour Pack only)
17 ----	42773	Oral Inflator Assembly
18 ----	12277	Pull Knob, Nyl, Blk
19 ----	15430	Cover, QD, w/ Cord, i3 Inflator



**Discontinued Models**

Key #	Part #	Description
-------	--------	-------------

**Pro Unlimited 2006-08 (Sea Quest)**

1	----42797	Weight Pouch, 10lb, Surelock II, XS-ML
2	----42767	Weight Pouch, 10lb, Surelock, XS-ML
3	----42798	Weight Pouch, 16lb, Surelock II, LG-XXL
4	----42768	Weight Pouch, 16lb, Surelock, LG-XXL
5	----12235	Buckle, Female, 1.5", Airlock
6	----12261	Buckle, Male, 1.5", Airlock
7	----12024	Buckle, Female, 1.5", Standard (pre-2002)
8	----12037	Buckle, Male, 1.5", Standard (pre-2002)
9	----12060	Snaphook
10	----15309	Gasket, Universal Connector
11	----42652	Nut/Screw Set, Squeeze Lock Knife
12	----45822	MP Braided Hose, 22", SM-MD
13	----45825	MP Braided Hose, 25", ML-LG
14	----45827	MP Braided Hose, 27", XL-XXL
15	----28228	Universal Cylinder Band
16	----42754	Dump Valve Kit, Universal
17	----12019	Clip Lock, Multi-set Waistband
18	----41952	Knife Hose Mount Kit, Squeeze Lock Knife
19	----427040	Carry Handle Kit (Large Contour Pack only)
20	----427039	Chest Strap Kit
21	----427042	Twin Tank Kit, Unv Tnkwnd (Lrg Contour Pack only)
	----427107	Twin Tank Kit, Griplock (Lrg Contour Pack only)



Key #	Part #	Description
-------	--------	-------------

**WTX 2006-15 (Apeks)**

*Bladder, WTX3, WTX4, WTX6, WTX6R, WTX8*

1	----15309	Gasket, Universal Connector
2	----45827	MP Braided Hose, 27"
3	----15665	Cap, Universal Connector, WTX6/8
4	----42754	Dump Valve Kit, Universal
5	----12277	Pull Knob, Nylon, Black
6	----42783	Retainer Loop
7	----42788	Bladder, Tech Wing, WTX6/8
8	----42789	Bladder, WTX 4
9	----42790	Bladder, Primary, WTX 6R
10	----42791	Bladder, Redundant, WTX 6R
11	----388300	WTX Retractor Kit



Discontinued Models

Key # Part # Description

**Wave • Wave Jr. 2005-09 (Sea Quest)**

- 1 ---- 15309 Gasket, Universal Connector
- 2 ---- 42754 Dump Valve Kit, Universal
- 3 ---- 28228 Universal Cylinder Band
- 4 ---- 10017 Traction Sleeve for Tank Band
- 9 ---- 12241 Buckle, Male, 1.0, Airlock
- 10 ---- 15665 Cap, Universal Connector
- 11 ---- 45822 MP Braided Hose, 22" (Jr.)
- 12 ---- 45827 MP Braided Hose, 27" XS-XL
- 14 ---- 427189 Waistband Set, Adjustable Web, Jr.
- 15 ---- 427190 Waistband Set, Adjustable Web, XS
- 16 ---- 427191 Waistband Set, Adjustable Web, SM
- 17 ---- 427192 Waistband Set, Adjustable Web, MD
- 18 ---- 427193 Waistband Set, Adjustable Web, ML
- 19 ---- 427194 Waistband Set, Adjustable Web, LG
- 20 ---- 427195 Waistband Set, Adjustable Web, XL
- 21 ---- 12247 Buckle, F, 2.0, Airlock, Blk
- 22 ---- 12248 Buckle, M, 2.0, Airlock, Blk
  
- Backpack Parts**
- 23 ---- 12126 Backpack Frame
- 24 ---- 12127 Pack Cradle, w/ Pad Installed, Blk
- 25 ---- 15129 Bolt, 19mm Hex, Brass Chrome/Pltd
- 26 ---- 15130 Nut, 19mm Hex, Brass Chrome/Pltd
- 27 ---- 427096 Backpad, Wave/Pacifica, Unv
  
- Wave Jr. Part Only**
- 28 ---- 42718 Weight Pouch, 6 lb, Grey Handle
- 29 ---- 427056 Cylinder Band, 30 cu.ft. Cyl. (Jr. version)
- 30 ---- 427057 Crotch Strap Kit (Jr. version only)



Key # Part # Description

**Wave 2010-2015 (Aqua Lung)**

- 1 ---- 42797 Wt Pouch, 10lb, Surelock II
- 2 ---- 12247 Buckle, Female, 2.0" Airlock
- 3 ---- 12248 Buckle, Male, 2.0" Airlock
- 4 ---- 12241 Buckle, Male, 1.0" Airlock
- 5 ---- 15309 Gasket, Universal Connector
- 6 ---- 43827 MP Hose, 27"
- 7 ---- 28228 Universal Cylinder Band
- 8 ---- 42754 Dump Valve Kit, Universal
- 9 ---- 12003 Zip Pull, W/Cord
- 10 ---- 12249 Pull Knob, Orange
- 11 ---- 427189 Waistband Set, Adjustable Web, XXS
- 12 ---- 427190 Waistband Set, Adjustable Web, XS
- 13 ---- 427191 Waistband Set, Adjustable Web, SM
- 14 ---- 427192 Waistband Set, Adjustable Web, M
- 15 ---- 427194 Waistband Set, Adjustable Web, LG
- 16 ---- 427195 Waistband Set, Adjustable Web, XL
- 17 ---- 427103 Weight System, Complete
- 18 ---- 427101 Weight Sheath, Left Side
- 19 ---- 427102 Weight Sheath, Right Side
  
- Backpack Parts**
- 20 ---- 12131 Backpack Frame
- 21 ---- 427028 Cradle, co-molded (w/strap)
- 12132 Cradle, co-molded (strap not included)
- 22 ---- 427027 Positioning strap
- 23 ---- 15437 Screw, 10 X 3/4" Panhead (need 6)
- 24 ---- 427096 Backpad, Black, Universal



## Buoyancy Compensator Accesories

### Aqua Lung

### Apeks

**Part # Description**

#### BC Inflator Service Kits

- 42609 ---- Powerline Inflator
- 900020 --- i3 Inflator
- 42611 ---- BC Puncture Repair Kit
- 42738 ---- Pull Dump Cord (25')

**Part # Description**

#### BC Inflator Service Kits

- N/A **WTX Inflator**, All parts for service must be individually purchased
- 42611 ---- BC Puncture Repair Kit
- 42738 ---- Pull Dump Cord (25')

**Part # Description**

#### Aqua Lung Cylinder Bands

- 428230 --- GripLock Tank Band (for Wrapture Pack)
- 428210 --- GripLock Tank Band (for non-Wrapture Pack)
- 28228 ---- Universal Cylinder Band
- 10017 ---- Traction Sleeve for Univ Cylinder Band
- 12134 ---- Traction Sleeve, Small
- 427042--- Twin Tank Kit, Unv Tnkband (Lrg Contour Pack only)
- 427107--- Twin Tank Kit, Griplock (Lrg Contour Pack only)
- 427105--- Twin Tank Kit, Griplock, AQ, Wrapture

**Part # Description**

#### Apeks Cylinder Bands

- 428240 ---GripLock Tank Band (for Wrapture Pack)
- 428250 ---GripLock Tank Band (for non-Wrapture Pack)
- 28228 ---- Universal Cylinder Band
- 10017 ---- Traction Sleeve for Univ Cylinder Band
- 427106----Twin Tank Kit, Apeks, Wrapture

**Part # Description**

#### Air Source Hi-Flow MP Inflator Hoses

- 25460-- 3/8 x 27, Airsource 2/3 w/quick disconnect,Braided
- 15191-- 3/8 x 25, (for Airsource 3 w/shut-off valve)
- 42639-- O-ring kit, Air Source Quick Disconnect

**Part # Description**

#### MP Inflator Hoses

- 45822 ---- MP Braided Hose, 3/8 x 22" Black
- 45825 ---- MP Braided Hose, 3/8 x 25" Black
- 45827 ---- MP Braided Hose, 3/8 x 27" Black
- 45833 ---- MP Braided Hose, 3/8 x 33" Black
- 45836 ---- MP Braided Hose, 3/8 x 36" Black
- 45840 ---- MP Braided Hose, 3/8 x 40" Black
- 43827 ---- MP Hose, 3/8 x 27" Black, (for Wave BC)

**Part # Description**

#### Miscellaneous

- 42705-- BC Carry Bag, Grey
- 42719-- BC Carry Bag, Black (Women's BCS)
- 427031 Waistband Expander for 4" to 5.5" wide band  
(adds up to 8" in length)

## Weight Pouches

**SureLock 2 (10lb)**  
42797



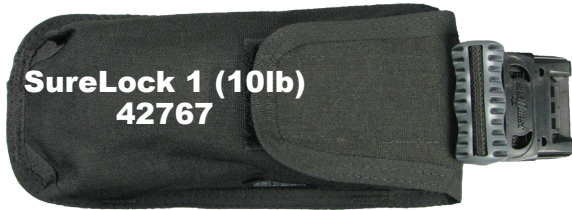
**SureLock 2 (15lb)**  
42799



**SureLock 2 (16lb)**  
42798



**SureLock 1 (10lb)**  
42767



**Apeks SureLock (10lb)  
for WTX**  
42784



**SureLock 1 (16lb)**  
42768



**Universal (10lb)**  
42726



**Universal (16lb)**  
42716



**Wave Jr Pouch (6lb)**  
42718



**Trim Pocket (5lb)**  
427085



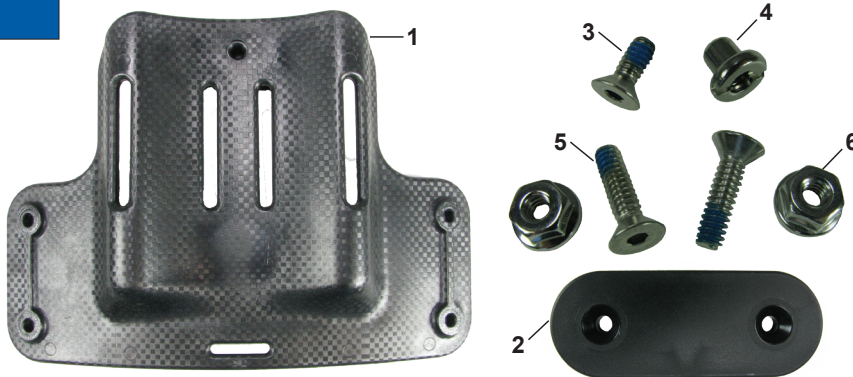
## BackPack Components

**Key # Part # Description**

<b>Wrapture</b>		
1 ----	12121	Wrapture Backpack/Frame
-----	22121	Wrapture Backpack/Frame (Blk Ice)
2 ----	12137	Plate (oval Shaped)
3 ----	15050	Screw, 10-24 X 3/8" (for center of pack)
4 ----	15051	Threaded Barrel (for center of pack)
5 ----	15136	Screw, 10-24 X 3/4" (for plate)
6 ----	15135	Flanged Nut, 10-24 (for plate)

**For The Following Models:**

**Axiom, Dimension, Lotus,  
Soul, Black Ice**



**Key # Part # Description**

1 ----	12131	Backpack Frame
2 ----	427028	Cradle, co-molded (w/strap)
-----	12132	Cradle, co-molded (strap not included)
3 ----	427027	Positioning strap
4 ----	15437	Screw, 10 X 3/4" (need 6)

**For The Following Models:**

**Pro, Pro HD, Pro LT, Pro QD 08>  
Wave 10>**



**Key # Part # Description**

1 ----	12126	Backpack Frame
2 ----	12127	Cradle, w/ Pad Installed, Black/Blue
3 ----	15129	Bolt, 19mm Hex, Brass, Chrome/Pltd
4 ----	15130	Nut, 19mm Hex, Brass, Chrome/Pltd

**For The Following Models:**

**Latitude, Latitude XLT, Pacifica,  
Passport, Wave 05-09**



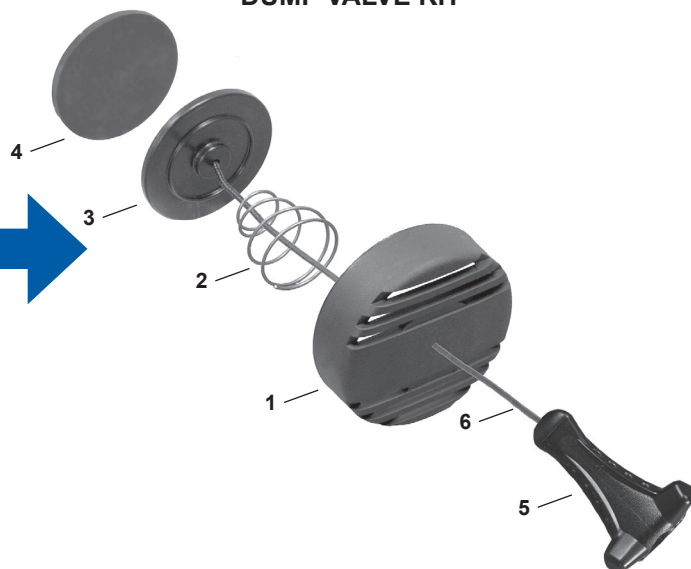
## Cap-Off • Dump Valve Kits

### CAP-OFF



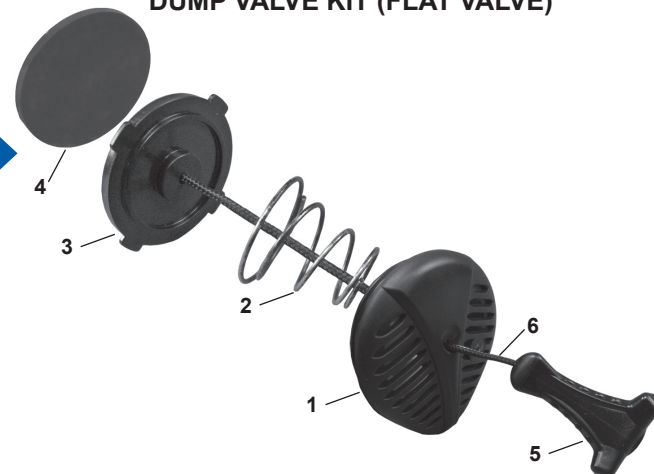
Key #	Part #	Description
1----	<b>15309</b>	<b>Gasket, Connector Seal</b>
2----	15665	Cap, Connector, Acme Thread

### DUMP VALVE KIT



Key #	Part #	Description
----	42754	Dump Valve Kit, Acme Thread
1----	10079	Cap, Over Pressure
2----	15617	Spring
3----	15650	Plate
4----	<b>15604</b>	<b>Seal</b>
5----	12277	Pull Knob
6----	42738	Pull Dump Cord (25')

### DUMP VALVE KIT (FLAT VALVE)



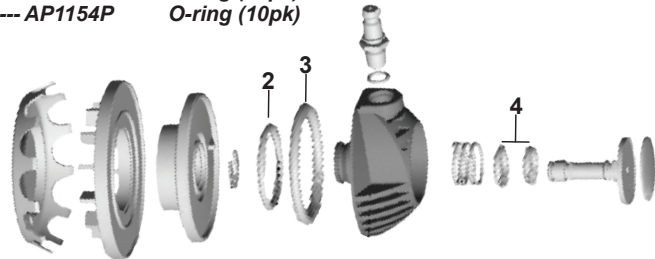
Key #	Part #	Description
----	42764	Dump Valve Kit, Flat Valve
----	42704	Dump Valve Kit, Flat Valve (Apeks)
1----	15441	Cap, Low Profile, Blk
----	15451	Cap, Low Profile, Blk (Apeks)
2----	15617	Spring
3----	15442	Seal Plate, Low Profile
4----	<b>15443</b>	<b>Seal, Low Profile</b>
5----	12277	Pull Knob
----	12234	Pull Knob (Apeks)
6----	42738	Pull Dump Cord (25')

Part numbers in **BOLD ITALICS** indicate standard overhaul replacement part.

Key #	Part #	Description
-------	--------	-------------

### Drysuit Inflators

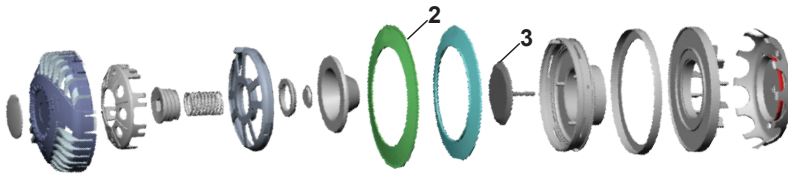
- 1---- 62807 Inflator Valve/AQ, Black
- 62815 Inflator Valve/AQ, Silver
- 62810 Inflator Valve/AQ, Twilight
- 62870 Inflator Valve/AQ, White
- 62808 Inflator Valve/AQ, Orange
- N/S -- 62233 Inflator Valve/Apeks Logo, Black
- 2---- **AP1298P** **O-ring (10pk)**
- 3---- **AP1277P** **O-ring (10pk)**
- 4---- **AP1154P** **O-ring (10pk)**



Key #	Part #	Description
-------	--------	-------------

### Drysuit Deflators

- 1---- 62806 Exhaust Valve/AQ, Black
- 62816 Exhaust Valve/AQ, Silver
- 62814 Exhaust Valve/AQ, Twilight
- 62871 Exhaust Valve/AQ, White
- 62809 Exhaust Valve/AQ, Orange
- 62231 Exhaust Valve/Apeks Logo, Black (not shown)
- 2---- **AP7048** **Valve Seating**
- 3---- **AP7051** **Non-Return Valve**



Key #	Part #	Description
-------	--------	-------------

### Valve Plug

(Plug For Inflator/Deflator Openings In Suit)

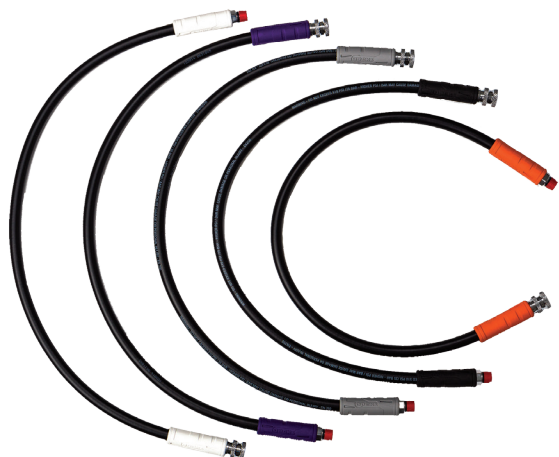
- 62215 Valve Plug



Key #	Part #	Description
-------	--------	-------------

### Drysuit Inflator Hoses

- 61896 Inflation Hose, Black, 3/8" X 33"
- 62873 Inflation Hose, Silver, 3/8" X 33"
- 62829 Inflation Hose, Twilight, 3/8" X 33"
- 62872 Inflation Hose, White, 3/8" X 33"
- 62828 Inflation Hose, Orange, 3/8" X 33"



**Key # Part # Description**

**Silicone Neck & Wrist Seals (SLT)**

- 1 ---- 62455 Silicone Neck Seal, Black, OSFA
- 62524 Silicone Neck Seal, Black, SM
- 62888 Silicone Neck Seal, Blue, OSFA
- 62890 Silicone Neck Seal, Blue, SM
- 62730 Silicone Neck Seal, Twilight, OSFA
- 62731 Silicone Neck Seal, Twilight, SM
  
- 2 ---- 63021 Silicone Wrist Seals, Black, OSFA (pr)
- 63027 Silicone Wrist Seals, Black, SM (pr)
- 63018 Silicone Wrist Seals, Blue, OSFA (pr)
- 63026 Silicone Wrist Seals, Blue, SM (pr)
- 63019 Silicone Wrist Seals, Twilight, OSFA (pr)
- 63020 Silicone Wrist Seals, Twilight, SM (pr)



**Key # Part # Description**

**Polytex Neck & Wrist Seals (SLT)**

*(UV Resistant Latex/Polyurethane Blend)*

**Neck Seals**

- 1 ---- 62137 Polytex Neck Seal, Black, OSFA
- 62141 Polytex Neck Seal, Black, SM
- 62140 Polytex Neck Seal, Black, MD
- 62139 Polytex Neck Seal, Black, LG
- 62142 Polytex Neck Seal, Black, XL
- 62138 Polytex Neck Seal, Black, 2XL
  
- 2 ---- 62321 Polytex Neck Seal w/Tape, Black, OSFA
- 62325 Polytex Neck Seal w/Tape, Black, SM
- 62324 Polytex Neck Seal w/Tape, Black, MD
- 62323 Polytex Neck Seal w/Tape, Black, LG
- 62326 Polytex Neck Seal w/Tape, Black, XL
- 62322 Polytex Neck Seal w/Tape, Black, 2XL

**Wrist Seals**

- 1 ---- 63028 Polytex Cone Wrist Seals, Black, OSFA (pr)
- 2 ---- 63029 Polytex Bell Wrist Seals, Black, SM (pr)
- 63030 Polytex Bell Wrist Seals, Black, MD (pr)
- 63031 Polytex Bell Wrist Seals, Black, LG (pr)
- 63032 Polytex Bell Wrist Seals, Black, XL (pr)
- 63033 Polytex Bell Wrist Seals, Black, 2XL (pr)



**Key # Part # Description**

**EZ-ON Glove Components**

- 1 ---- 611583 EZ-ON Rubber Gloves, Blk, SM (pr)
- 611582 EZ-ON Rubber Gloves, Blk, MD (pr)
- 611581 EZ-ON Rubber Gloves, Blk, LG (pr)
- 611584 EZ-ON Rubber Gloves, Blk, XL (pr)
- 2 ---- 611920 Glove Liner, Yellow, MD (pr)
- 611919 Glove Liner, Yellow, LG (pr)
- 611921 Glove Liner, Yellow, XL (pr)
- 3 ---- 611956 Glove Retaining Ring, Blk (ea)





**Key # Part # Description**

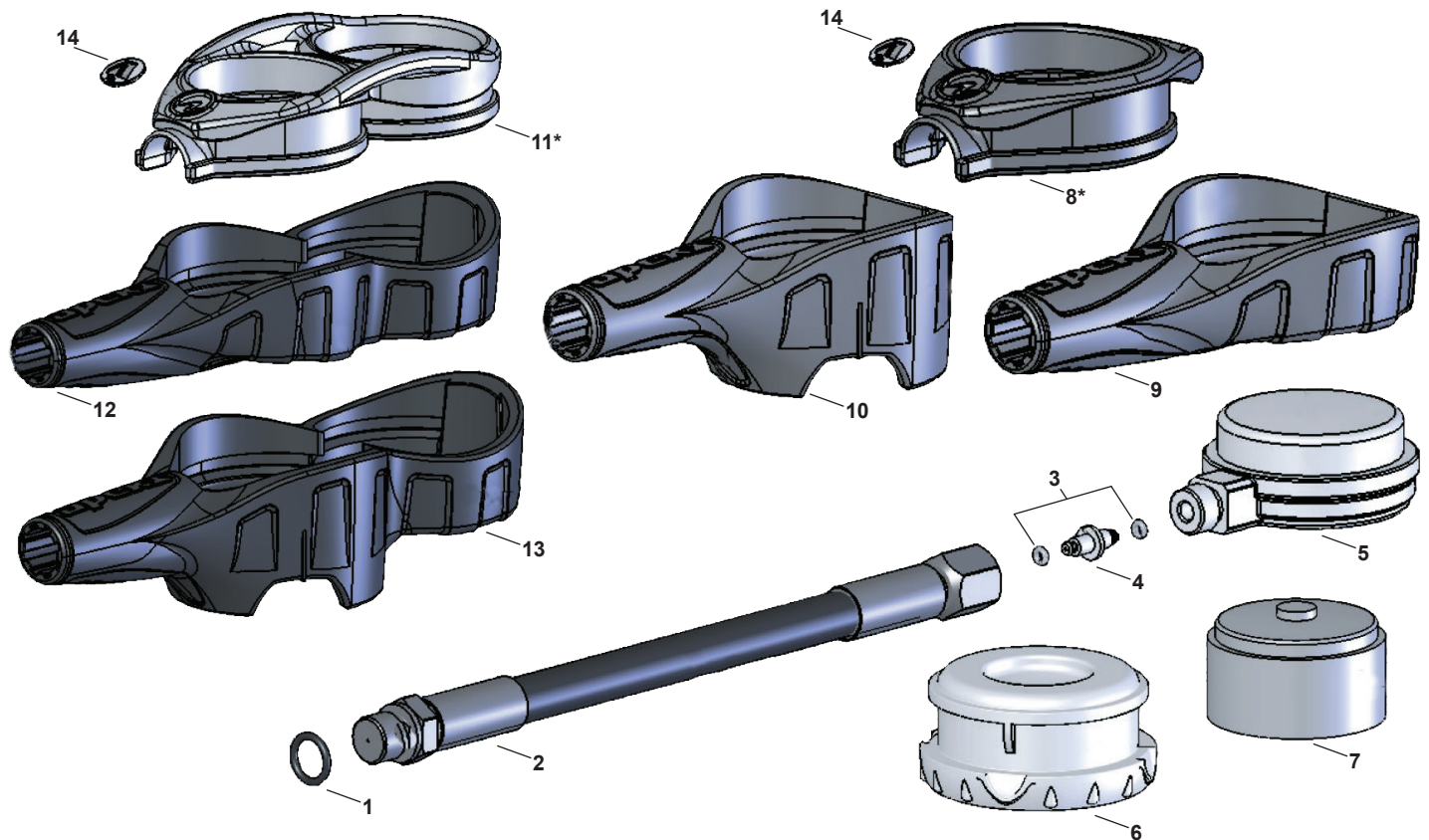
**Drysuit Accessories**

- N/S----62458 Lock Ring (Neck Tite) Yellow
- N/S----62343 Patch Kit (8-patches,2-nylon strips,2-alcohol pads)
- N/S----611616 Repair Kit (2-neck, 2-wrist seals w/tape,3-patch kits)
- N/S----611577 Dry Adhesive Tape (2-strips-16")

## Apeks Analog Instruments

 **\*NOTE:** The bezel #11, will only fit on boots #12 and #13.

 **\*NOTE:** The bezel #8, will only fit on boots #9 and #10.



Key #	Part #	Description
1	<b>AP1445P</b>	<b>O-ring (10 pk)</b>
2	AP7610	HP Hose, 800mm
3	<b>AP1157P</b>	<b>O-ring (10 pk)</b>
4	AP522002P	HP Spool w/no O-rings (5 pk)
5	AP5745	SPG, Module, Brass, 5000 psi
6	AP5706	Compass, Module
7	AP5746	Depth Gauge, Module, 230 ft
8	AP5702	Bezel, Pewter
	AP5702NP	Bezel, Green, O2
9	AP5701	Boot, SPG only
10	AP5731	Boot, 2-Gauge, SPG/Cmps
11	AP5703	Bezel, 2-Gauge, Pewter
12	AP5704	Boot, SPG/Depth
13	AP5705	Boot, SPG/Depth/Cmps
14	AP7596B	Logo, Insert, Blk

Part numbers in **BOLD ITALICS** indicate standard overhaul replacement part.

## Aqua Lung i750 Computer

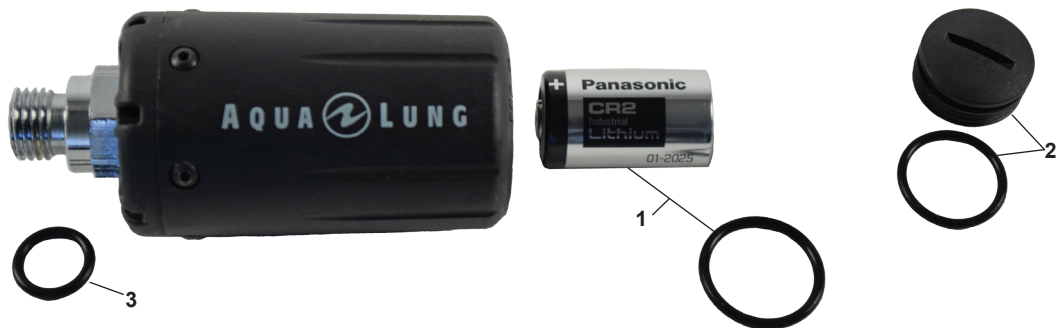


Key #	Part #	Description
-------	--------	-------------

- |   |          |  |
|---|----------|--|
| 1 | NS911142 | Strap Kit, i750T                         |
| 2 | NS911177 | Bungee Boot w/Tool & Screws, i750T       |
| 3 | NS911152 | i750T Battery Kit w/Grease               |
| 4 | NS911161 | Battery Cap Assembly, i750T (Cap/O-ring) |
| 5 | NS911154 | i750T Lens Protector, Stick On           |

**CAUTION:** The battery door and o-ring for the I750T is not interchangeable with the battery door and o-ring for the Transmitter.

## Aqua Lung Transmitter



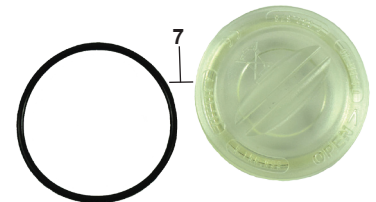
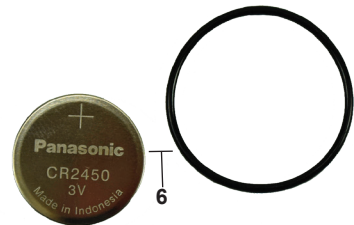
Key #	Part #	Description
-------	--------	-------------

- |   |          |   |
|---|----------|---|
| 1 | NS911178 | Transmitter Battery Kit w/Grease                          |
| 2 | NSxxxxx  | Battery Cap Assembly, Transmitter (Cap/O-ring) <b>TBD</b> |
| 3 | 957004P  | O-ring, HP (25 pk)  |

# Aqua Lung i550 Computer



NA Separately



Key #	Part #	Description
-------	--------	-------------

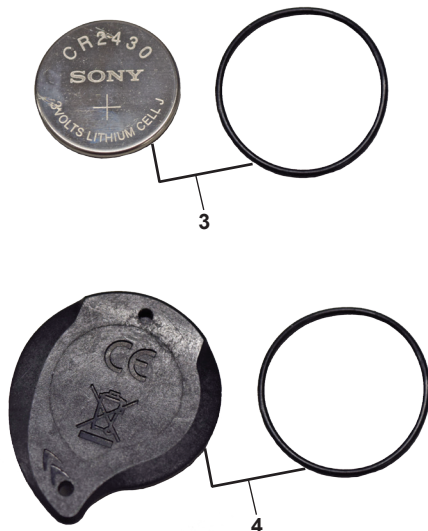
- |   |          |                                |
|---|----------|--------------------------------|
| 1 | NS911279 | i550 Module                    |
| 2 | NS911156 | i550 Lens Protector, Rigid     |
| 3 | NS911315 | Top Cap w/Screws               |
| 4 | NS911143 | Compass Boot Assy, i550        |
| 5 | NS911314 | Boot Assembly, Complete, i550  |
| 6 | NS911148 | i550/300 Battery Kit w/Grease  |
| 7 | NS911158 | i550 Battery Hatch with O-ring |
| 8 | NS911144 | i550 HPQD Hose Kit             |
| 9 | 957004P  | O-ring, HP (25 pk)             |

## Aqua Lung i450 • i200 Computer



Key #	Part #	Description
-------	--------	-------------

- |     |          |                                      |
|-----|----------|--------------------------------------|
| 1   | NS911138 | Strap Kit, i450T, (w/2-pins), Black  |
|     | NS911139 | Strap Kit, i450T, (w/2-pins), Blue   |
|     | NS911141 | Strap Kit, i450T, (w/2-pins), White  |
| 2   | NS911149 | i450T Battery Kit (w/1-Screw/Grease) |
| 3   | NS9xxxx  | i200 Battery Kit w/Grease            |
| 4   | NS911339 | Battery Hatch w/O-ring, i200         |
| 5   | NS911332 | Strap Kit, i200, (w/2-pins), Black   |
| N/S | NS911153 | i450T Lens Protector, Stick On       |



## Aqua Lung i300 Computer



Key #	Part #	Description
-------	--------	-------------

1	NS911135	i300 Module w/Legs, Blk/Blue
	NS911136	i300 Module w/Legs, Blk/Grey
2	NS115111	i300 Module, Blk/Blue
	NS115124	i300 Module, Blk/Grey
3	NS911145	Wrist Boot/Strap Assembly w/Pins, Blk/Blue
	NS911146	Wrist Boot/Strap Assembly w/Pins, Blk/Grey
	NS911147	Wrist Boot, Rental, Blk
4	NS911155	i300 Lens Protector, Rigid
5	NS911148	i300/550 Battery Kit w/Grease
6	NS911159	i300 Battery Cover Kit
7	NS911157	i300 Battery Key

## Aqua Lung Analog Gauges



Key #	Part #	Description
1	NS114113	Depth Gauge Module, 200ft
	NS114114	Depth Gauge Module, 60m
2	NS114111	SPG Module, 5000psi
	NS114112	SPG Module, bar
3	NS911369	HP Spool w/O-rings (5pk)
4	NS114113	Boot, SPG
5	NS114131	Boot, Console w/Hose Pro
6	NS114134	Wrist Boot for Depth Gauge
7	NS114135	Slate, for Console Boot

## Aqua Lung Compass



Key #	Part #	Description
-------	--------	-------------

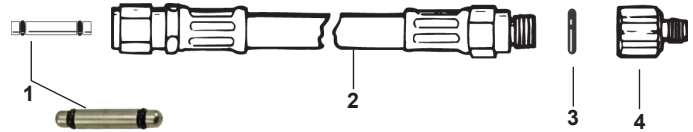
- |   |          |                          |
|---|----------|--------------------------|
| 1 | NS114115 | Compass Module, NH       |
| 2 | NS911176 | Bungee Mount for Compass |
| 3 | NS911175 | Hose Mount for Compass   |
| 4 | NS114132 | Wrist Mount for Compass  |



## Miscellaneous

Key #	Part #	Description
1	NS911369	Air Spool, with O-rings (5pk)
	730486	Air Spool, with O-rings
2	102023	Hose, HP Rubber, 7/16 x 36"
	NS911144	Hose Kit, HPQD, 7/16" x 36"
3	957004P	O-ring, HP (25 pk)
4	101785	Adapter, HP, 7/16" Female to 3/8" Male

## HP HOSE



## Accessories

## Knives • Lights • Bags

## Aqua Lung Knife Parts

## Part #-- Description

41942----Strap/Buckle Assembly, Mako/Vector/SeaHawk 2/ Sea Master  
 422441---Sheath, Sea Hawk 2 & Sea Master  
 422613---Retaining Ring, Sea Hawk 2/SeaMaster

## Deep See Knife Parts

## Part #-- Description

## Jack Knife

D82980----Sheath, Blue  
 D82981----Sheath, Black  
 D82987----Sheath, Yellow  
 D8298B----Butt Cap  
 D8299-----24" Straps w/Buckles (Pair)

## EZ Lock Knife

D48198----Sheath, EZ Lock TI  
 D8151S----Sheath, EZ Lock Std  
 42652-----Barnacle Nut & Screw, Squeeze Lock, (1-ea)  
 41942-----Knife Strap/Buckle, 24", (Pair)

## Aqua Lung Light Parts

## Part #-- Description

266003 LED Repair Kit, Alu Solo (spring, contact plate, LED circuit)

## Bag Parts

## Part #-- Description

1003409 Dry Bag Drain Plug, AQ/Apeks

## Masks

## Aqua Lung Mask Parts

Part #	Description
--------	-------------

**Seal • Sphera**

220312----Strap, Clear, Seal Mask  
220313----Strap, Black, Seal Mask

**Look 2 • Favola • Micro • Infinity • Look HD •  
Teknika • Ventura + • Impression • Linea**

502537----Strap, Clear w/ Retainers  
502538----Strap, Black w/ Retainers  
505565----Buckle, Cardanic, Black, pair  
261192----Buckle, CBS Cardanic, Black, pair  
261194----Buckle, CBS Cardanic, Pink, pair  
261196----Buckle, CBS Cardanic, Twilight, pair  
261198----Buckle, CBS Cardanic, Arctic, pair  
503795----Lens Retainer, Right, Look 2  
503796----Lens Retainer, Left, Look 2  
261181----Center Retainer, Look 2, Red (2 pcs)  
261182----Center Retainer, Look 2, Blue (2 pcs)  
261183----Center Retainer, Look 2, Silver (2 pcs)

**Visage**

401353----Strap, Silicone, Clear  
401354----Strap, Silicone, Black

**Maui • Hawaii**

502514----Strap, Silicone, Clear  
502524----Strap, Silicone, Black  
502522----Retainer, Strap, Black

**Wraparound**

502608----Buckle, Pair, Black Metal  
507709----Strap, Silicone, Black  
507708----Strap, Silicone, Clear  
502611----Purge Valve w/ Retainer  
502522----Retainer, Strap, Black

**Pacifica / Atlantis**

503605----Buckle, Left & Right  
507709----Strap, Silicone, Black  
507708----Strap, Silicone, Clear  
15852----Purge Valve (Pacifica)  
502522----Retainer, Strap, Black

**Tyke • Mythos • Falco**

502537----Strap, Clear w/Retainers  
502538----Strap, Black w/Retainers

**Quartz**

502527----Strap & Buckle Assembly, Black  
502521----Strap & Buckle Assembly, Clear  
502514----Strap, Silicone, Clear  
504652----Retainer, Strap, Quartz/Cortez  
502528----Buckle Assembly

**Look**

503629----Buckle, Left  
503628----Buckle, Right  
42457----Strap, Silicone, Clear  
42411----Retainer, Strap, Black

**Mask Boxes**

505020----Box, Plastic, Hawaii/Quartz/Cortez

## Sea Quest Mask Parts

Part #	Description
--------	-------------

**Idea • Ventura**

42457----Strap, Idea  
42410----Strap, Ventura, Black  
42411----Retainer, Strap, Ventura

## Deep See Mask Parts

Part #	Description
--------	-------------

**Omni • Horizon • Profile**

D17013----Strap, Clear Silicone  
D17012----Strap, Black Silicone  
D17016----Buckle Assembly, Omni (1ea)  
D17014----Roller Pin, Omni  
TBD----Buckle Assembly, Horizon/Profile  
D2701C---Strap Retainer, Black (1ea)

**Clarity • Mistique • Encounter**

D17013----Strap, Clear Silicone  
D17012----Strap, Black Silicone  
D00095----Buckle Repair Kit (1ea)  
D17015----Strap Clip Cover (1ea)  
D2701C---Strap Retainer, Black  
D188700---Lens Retainer, Black, Clarity  
D188701---Lens Retainer, Blue, Clarity  
D17183----Purge Valve, Clarity  
D17045----Purge Valve, Encounter

**Outlook • Focus • Adventurer 2 • Seemask**

D1094----Strap, Clear Silicone  
D1091----Strap, Black Silicone  
D7424----Buckle Assembly, Adventure 2 (1ea)  
D7701B---Buckle, Side (ridged edges) Seemask  
D7402P---Roller Pin, Seemask  
D00094----Buckle Repair Kit, Outlook (strap/2-buckles)  
D17040---Purge Valve Assembly, Clear, Outlook  
D17039---Purge Valve Assembly, Black, Outlook  
D27320---Buckle Assembly, Black, Focus (1ea)  
D27609----Roller Pin, Focus

**Goby • Marvel**

D27814----Strap, Clear Silicone  
D2783----Buckle Set (pair)

## Aqua Lung Sport Mask Parts

Part #	Description
--------	-------------

**Seabreeze 2 • Fathom • Coral • Acara •  
Admiral 2 LX • Diva 1 LX**

D27814----Strap, Clear Silicone  
D17018----Buckle Assembly, Black/Silver (pair)

## Snorkels • Fins

## Aqua Lung Snorkel Parts

## Part # Description

## Impulse • Zephyr • Sidedraft • Snap

734407----Keeper, Impulse 1,2 or 3  
 105838----Comfo-Bite Mouthpiece, Std, Impulse 1,2 or 3/Sidedraft  
 105848----Comfo-Bite Mouthpiece, Sm, Impulse 1,2 or 3  
 734409----Comfo-Bite Mouthpiece, Std, Blk, Impulse 1,2 or 3  
 100122----Purge Valve Diaphragm, Impulse 1,2 or 3  
 734408----Flex Section, Clear, Impulse 3 only  
 734411----Flex Section, Blk, Impulse 3 only  
 734333----Snorkel Keeper, Zephyr, Snap  
 734332----Snorkel Keeper, Silicone  
 15852----Purge Valve, Sidedraft

## Deep See Snorkel Parts

## Part # Description

## Airstream • Flexstream • Funstream

D1030----Snorkel Keeper, Plastic  
 D1040----Snorkel Keeper, Plastic, Airstream Jr  
 D1050----Mouthpiece No-Purge,Clr, Airstream/Flexstream  
 D1050B----Mouthpiece No-Purge,Blk, Airstream/Flexstream  
 D1060----Mouthpiece w/Purge, Clr, Airstream/Flexstream  
 D1060B----Mouthpiece w/Purge, Blk, Airstream/Flexstream  
 D71100M----Mouthpiece w/out Purge Valve Assy,Airstream Jr  
 D7130M----Mouthpiece, Clr, Funstream  
 D1070B----Flextube Connector, Blk, Flexstream  
 DPV-----Purge Valve, Clr, Airstream/Flexstream  
 DPVA0-----Purge Valve Assembly, Blue, Airstream/Flexstream  
 DPVA1-----Purge Valve Assembly, Blk, Airstream/Flexstream  
 D71101PV--Purge Valve, Clr, Airstream Jr

## Dolphin • Twin Flex • Airway

D10800----Mouthpiece, Clr, Twin Flex  
 D17026----Mouthpiece, Clr, Airway  
 D17049----Snorkel Keeper, Blk, Airway  
 D17183----Purge Valve, Clr, Twin Flex  
 D17043----Purge Valve, Clr, Airway

## Aqua Lung Fin Parts

## Part #-- Description

## X-Shot • Shot FX

261892----Spring Strap Assy, 1ea, White, 11"(28cm) Shot FX sm  
 261893----Spring Strap Assy, 1ea, White, 11.8"(30cm) Shot FX reg/lrg  
 261894----Spring Strap Assy, 1ea, Char, 11.8"(30cm) X-Shot sm  
 261895----Spring Strap Assy, 1ea, Char, 12.6"(32cm) X-Shot reg  
 261896----Spring Strap Assy, 1ea, Char, 13.4"(34cm) X-Shot lrg

## Slingshot • Hotshot

622600----ESBS Strap/Buckle Assy, Red (1-strap w/2 Buckles),Slingshot  
 622610----ESBS Strap/Buckle Assy, Silver (1-strap w/2 Buckles),Slingshot  
 62911----Strap, Hotshot  
 262811----Strap Cover, Black (6-pieces),Hotshot  
 261889----Strap Cover, Pink (6-pieces),Hotshot  
 261891----Strap Cover, Blue (6-pieces),Hotshot  
 261888----Strap Cover, Green (6-pieces),Hotshot  
 462587----Powerbands, Spare, Red (2-pieces),Slingshot  
 62588----Powerbands, Spare, Silver (2-pieces),Slingshot  
 62589----Powerbands, Spare, Blue (2-pieces),Slingshot  
**Powerbands for Hotshot are available by contacting Customer Service**

## Express ADJ • Stratos ADJ • Caravelle ADJ

622600----ESBS Strap/Buckle Assy, Red (1-strap w/2 Buckles)  
 622610----ESBS Strap/Buckle Assy, Silver (1-strap w/2 Buckles)  
 622615----Strap/Buckle Assy (1-strap w/2 Buckles) Stratos ADJ

## Rocket • Rocket II • RK3 • Compro

621502----Strap, Rocket or Compro, for Wire Buckles  
 621132----Strap, Rocket Fin II  
 621146----Spring Straps w/Heel Pad, RK3, Md (1 pair)  
 621147----Spring Straps w/Heel Pad, RK3, Lg (1 pair)  
 621148----Spring Straps w/Heel Pad, RK3, Super (1 pair)  
 621131----Buckles, Metal, Rocket Fin II (1 pair)  
 622680----Strap/Buckle Assembly, Quick-Release, Rocket II

## Older Models

622695-R---Strap/Buckle Assy, Right, Hands-Free, Blades 2  
 622695-L---Strap/Buckle Assy, Left, Hands-Free, Blades 2  
 622690----Strap/Buckle Assy, V-Tek  
 622680----Strap/Buckle Assy, All AQ Fins (except V-Tek)

## Sea Quest Fin Parts

## Part #-- Description

42454----Strap, Idea Fin  
 622680----Strap/Buckle Assy, Idea,Fin  
 42458----Strap/Buckle Assy, Thruster/Accelerator

## Deep See Fin Parts

## Part #-- Description

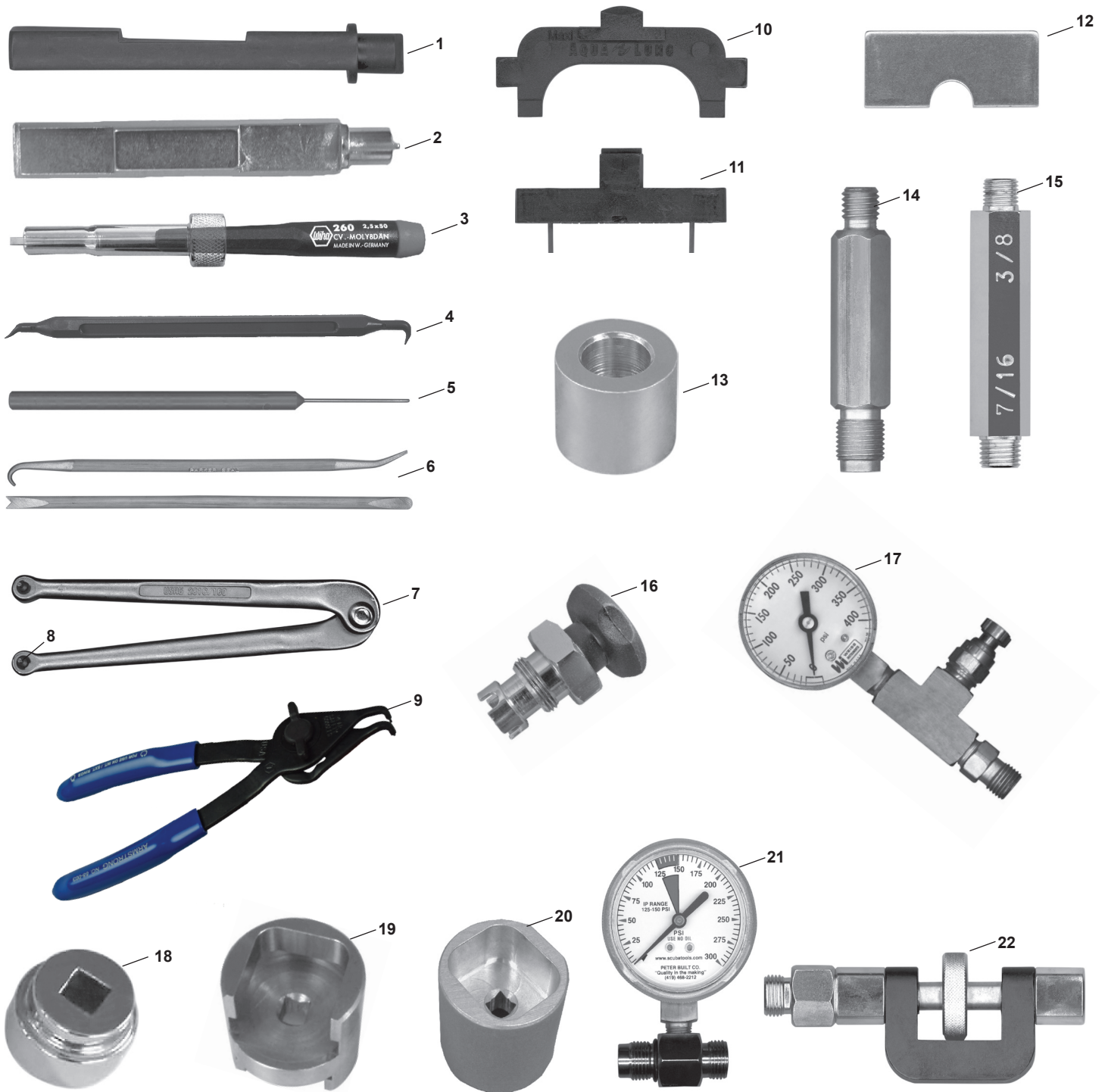
622680----Strap/Buckle Assy, Pulse  
 D70500A--Heel Strap Assy, Aqua Glide  
 D70500P--Heel Pad (Pair) Aqua Glide, Jr Splash  
 D70500B--Buckle, Aqua Glide, Jr Splash

## Aqua Lung Sport Fin Parts

## Part #-- Description

D17074---- Fin Strap & Buckle Assy, Blk, Trek  
 D17076---- Fin Strap & Buckle Assy, Grey, Hingeflex

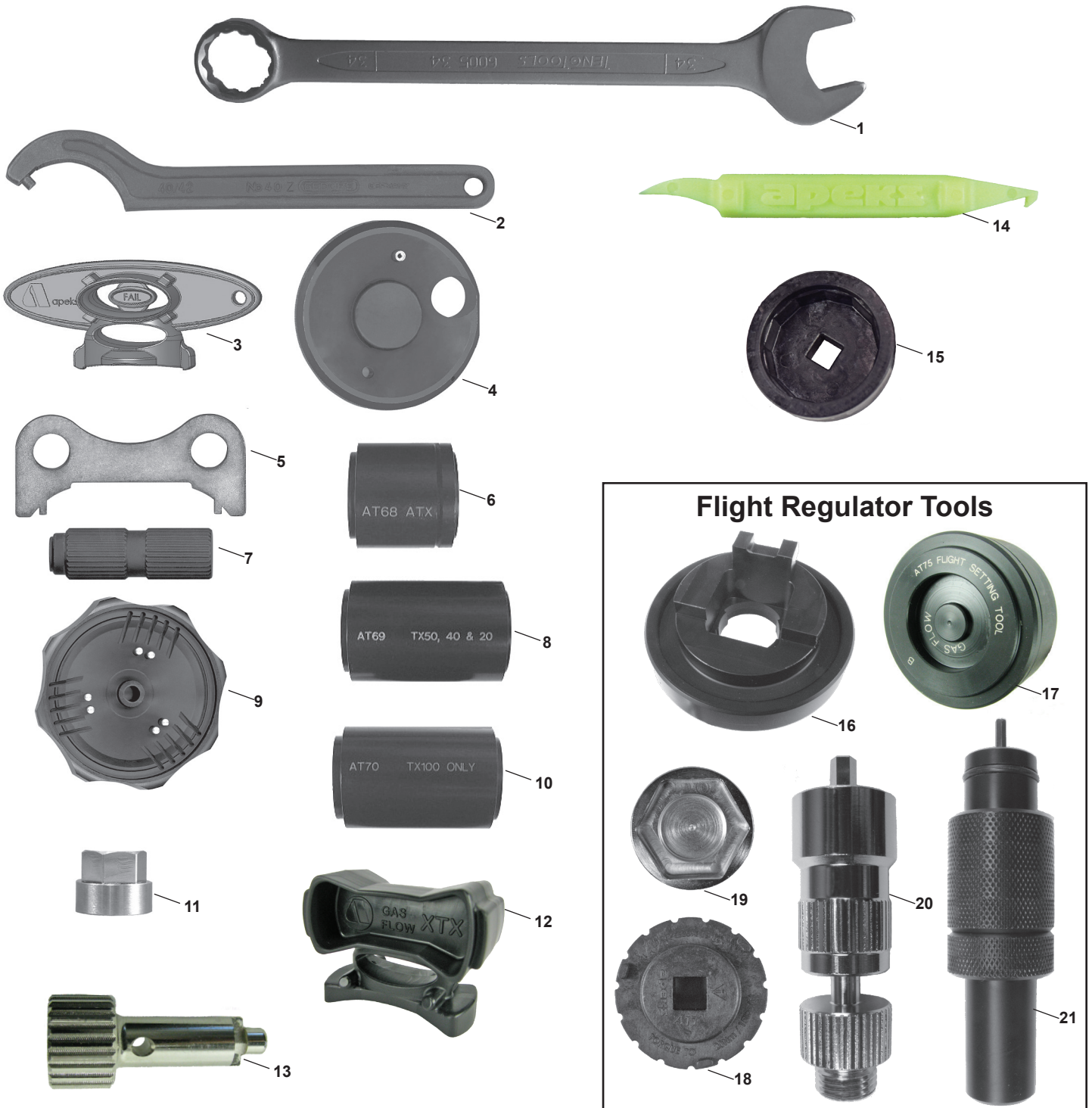
## Aqua Lung / Sea Quest Regulator Tools



Key #	Part #	Description
1	125727	Crown Lever Adjustment Tool
2	127686	Kronos Seat/Lever Adjustment Tool
3	101680	Lever Height Adjustment Tool
4	103102	O-ring Tool, Plastic (5-pk)
5	109437	Seat Installation/Extraction Tool
6	944022	O-ring Tool Set
7	129198	Adjustable Face Spanner
8	129197	Pin, Replacement, Adj. Spanner (1 each)
9	111100	Circlip Pliers, Reversible
10	129001	Titan LX Retaining Ring/Lever Height Tool
11	100188	Micra Retaining Ring Tool
12	081247	Supreme Retainer Wrench

Key #	Part #	Description
13	111000	HP Spring Block Assy Guide
14	100395	Vise Mounting Tool
15	5116230	Vise Mounting Tool
16	111003	Poppet Wrench, Conshelf
17	111610	Test Pressure Gauge, 400 PSI
18	111001	Socket, Inlet Fitting, 26mm
19	122152	Socket, Spring Retainer, Legend/Mistral
20	111002	Socket, Spring Retainer, Titan/Cousteau
21	111605	Inline Test Gauge
22	100190	Inline Adjustment Tool, Slotted & Hexed
N/S	108357	Deluxe Workmat with Windows

## Apeks Regulator Tools

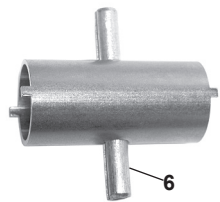
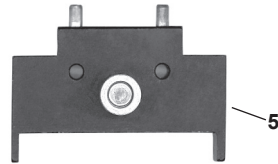
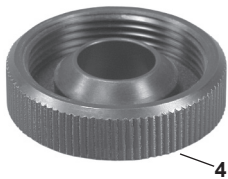
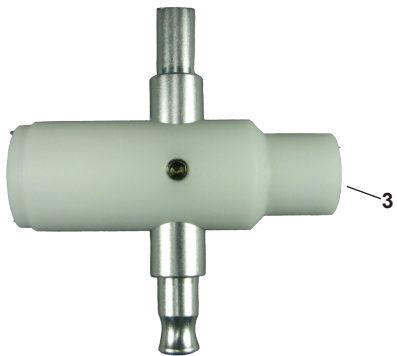


Key #	Part #	Description
1	AT47	Wrench, 34mm (Thin)
2	AT30	Pin Spanner
3	AT20	XTX Cover/Lever Height Tool
4	AT31	ATX/TX Cover Tool
5	AT42	TX100 Cover Tool
6	AT68	Lever Height Tool, ATX
7	AT45	Spring Adjuster Tool
8	AT69	Lever Height Tool, TX50, 40 & 20
9	AT62	Egress Cover/Lever Height Tool
10	AT70	Lever Height Tool, TX100
11	AT21	Status, Valve Lifter Fastener
12	AT20F	2013 XTX Cover/Lever Height Tool

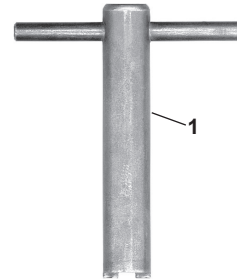
Key #	Part #	Description
13	AT51	Seat Adjustment Tool
14	AT79K	O-ring Tool, (6-pak)
15	AT89	Blk Sapphire End Cap Tool
16	AT77	Venturi/Inlet Removal Tool, Flight
17	AT75	Lever Height Tool, Flight
18	AT71	Diaphragm Clamp Tool, Flight
19	AT74	Yoke Connector Socket, Flight
20	AT72F	Inline Adjustment Tool, Flight
21	AT76	Micro Adjuster Tool, Flight

## BC & Air Source • Valve • Drysuit

### BC & AIR SOURCE TOOLS



### VALVE TOOLS



Key #	Part #	Description
-------	--------	-------------

1	053035	Valve Handwheel Tool
---	--------	----------------------

### DRY SUIT TOOLS



Key #	Part #	Description
-------	--------	-------------

1	62444	Valve Key Tool
2	62459	Necktite Tool
3	AT46	Cap Removal Tool

Key #	Part #	Description
-------	--------	-------------

1	778700	Valve Core Tool, Dual Side
2	15192	Airsourc 3, Inline Adjustment Tool
3	42314	Air Source T-Tool
4	AT7009	Swivel Inflator Tool
5	42315	Air Source Multi Tool
6	15762	Apeks Inflator Tool
7	42316	Air Source Oral Assembly Tool
8	778679	Retaining Collar Wrench, Air Mic
N/S	42611	BC Patch Kit

### DIVE COMPUTER TOOLS



Key #	Part #	Description
-------	--------	-------------

1	NS911157	i300 Battery Key
---	----------	------------------

## Part Number Index

## Index

## Numbers

053035.....99	100888.....34	105838.....34, 36, 96	109437.....97
054114.....57	101012.....12	105848.....34, 36, 96	109438.....20, 21, 22, 23,
054201.....57	101504.....12	105879.....27, 36	24, 25, 26, 28, 30, 31,
054203.....57	101509.....16, 17, 18	105885.....27, 36	32, 33, 35, 36
054204.....57	101549.....12	105940.....5, 6, 7, 8, 9, 10, 12,	109512.....20,21, 22, 23, 24,
054205.....57	101569.....16, 18	13,14, 15, 16, 17, 18	28, 31, 32, 33, 36, 37
054207.....57	101680.....97	105944.....12	111000.....97
054208.....57	101727.....12	105994.....12	111001.....97
054209.....57	101728.....12	106022.....16, 17	111002.....97
054211.....57	101785.....36, 37, 94	106026.....7, 12, 16, 17, 18	111003.....97
054212.....57	101919.....27	106056.....12, 16, 18	111100.....97
054215.....57	102002.....5, 6, 7, 16, 18	106057.....12	111605.....97
054216.....57	102004.....27	106317.....12, 16, 17	111610.....97
054221.....57	102510.....19, 26, 27, 29, 30,	106318.....12, 16, 17	116922.....29
054228.....57	35	106319.....12, 16, 17, 18	116923.....29, 52
054242.....57	102708.....27	106323.....17	116925.....29
054261.....57	103101.....16, 18	106326.....17	116926.....29
081247.....97	103102.....97	106327.....17	116927.....29
088152.....74, 75	103104.....16	106337.....12, 16, 17, 18	116928.....29
090015.....27, 36	103105.....45	106338.....12, 16, 17	116929.....29
090018.....59, 61, 63	103133.....8, 9, 10, 11, 13,15,	106356.....7,12,14, 16, 17, 18	116930.....29
090025.....27, 36	16, 18	106726.....11	119129.....5,6,7,8, 9, 10, 12,
090039.....27	103137.....8, 9, 10, 11,12, 13,	106738.....19, 26, 29, 30, 35	13, 14, 15, 16, 17, 18
100103.....34	15, 16, 18	106767.....11	119159.....5, 6, 7, 8, 9, 10,
100108.....34	103162.....16, 18	106771.....11	13, 15
100109.....34	103172.....16, 36	106839.....17	12003.....65, 66, 67, 69,
100110.....34	103174.....16, 18	106843.....6, 11, 15, 16, 18	71, 76, 77, 80
100119.....34	103176.....16, 18	107001.....27	120161.....66
100122.....29, 34, 52, 96	103425.....12, 14, 16, 17, 18	107455.....36	120162.....66
100128.....19, 26, 29, 34, 35	103429.....12	107506.....12	12017.....71
100132.....34	103706.....27	107508.....11	12019.....73, 76, 79
100136.....34	103732.....27	107605.....27	12024.....73, 74, 78, 79
100143.....34	104102.....23, 28, 31, 32, 35	107606.....27	12037.....74, 78, 79
10017.....70, 71, 74, 75,	104106.....19, 26, 29, 35	107607.....27	12039.....73
80, 81	104108.....35	107700.....12	12048.....73
100181.....34	104112.....35	107818.....29	12060.....73, 74, 78, 79
100188.....97	104122.....19, 26, 29, 30, 35	107822.....35	12071.....70
100190.....97	104127.....19, 26, 29, 35	108122.....27	12088.....73, 78
1003409.....94	104129.....19, 26, 29, 30, 35	108185.....12, 27	12121.....65, 66, 67, 69, 83
100395.....97	104134.....19, 26, 29, 35	108357.....97	12126.....74, 75, 80, 83
100444.....27	104138.....21, 22, 24, 25, 26,	108504.....27	12127.....74, 75, 80, 83
100525.....16, 17	28, 29,30,31, 32,33, 35,	108510.....27, 34	12131.....68, 71, 77, 80, 83
10079.....84	36, 48, 50, 51, 52,55, 56	108514.....27	12132.....68, 71, 77, 80, 83
100841.....34	104304.....12	108515.....34	12134.....66, 67, 81
100843.....34	104613.....12	108530.....27	12137.....65, 66, 67, 69, 83
100845.....34	104903.....27	108535.....27	12167.....68
100853.....34	104913.....27, 29, 34, 35, 49,	108538.....27	12168.....67
100854.....34	50, 51,52, 53, 54, 55, 56	108592.....27	12169.....67, 69
100856.....34	104940.....27	108595.....12	122152.....97
100862.....34	105106.....12, 15, 16, 18	108596.....27	122244.....5, 6, 7, 8, 9, 10,
100872.....34	105139.....27	108652.....12	13, 14, 15
	105323.....12	108810.....12	12234.....65,66,68,70, 77, 84
	105324.....12, 16, 18	108851.....12	12235.....67, 71, 73, 74, 76,
	105326.....12	108853.....12	78, 79
	105327.....12	108854.....12	12236.....67
	105333.....12	108855.....12	12240.....73, 74, 75
	105831.....34, 36	108865.....12	

## Part Number Index

12241.....68, 71, 73, 74, 75, 77, 78, 80	125918.....20	127807.....9	128142.....10, 13, 36
12247.....68,71,74,75, 77, 80	125924.....18	127808.....9	128143.....10, 13
12248.....68, 71, 74,75,77, 80	125925.....20	127814.....25	128205.....10
12249.....71, 80	125928.....19	127815.....25	128540.....26, 30
12252.....70	125929.....19	127816.....25	128545.....10, 36
12253.....70	125930.....19, 20	127817.....25	128550.....26, 30
12261.....71, 74, 76, 78, 79	125931.....19	127818.....24, 25	128595.....30
12277.....60, 66, 67, 69, 71, 76, 78, 79, 84	125932.....19, 36	127819.....25	128602.....30
12285.....70	125934.....19, 36	127821.....25	128603.....30
12308.....70	125935.....19	127822.....25	128604.....30
12315.....70	125937.....19	127823.....25	128605.....30
12316.....70	125939.....20	127825.....25	128606.....30
124509.....19, 26, 30, 35	125958.....19	127826.....25, 36, 37, 48	128609.....30
124555.....8, 9, 10, 11, 13, 14, 15, 16, 18	125975.....19, 20	127827.....25	128610.....30
124560.....7,12, 14, 16, 17, 18	125976.....19, 20	127828.....25	128611.....30
124570.....23, 24, 26, 28, 29, 30, 36	125979.....20	127831.....9	128612.....30
124576.....35	127562.....15	127832.....25	128613.....30
124577.....35	127563.....8, 9, 10, 13, 15	127833.....25	128616.....30
124578.....35	127564.....8, 9, 10, 13, 15	127835A...25	128618.....30
124611.....6, 7, 8, 10, 11, 13, 14, 17	127565.....5, 6, 8, 9, 10, 13, 15	127836.....25	128619.....30, 36
124628.....12, 16, 18	127566.....5, 6, 8, 9, 13, 15	127838.....25	128620.....30, 36
124665.....10, 12, 14, 16, 17	127567.....5, 6, 8, 9, 10, 13, 15	127839.....9	128621.....30
125237.....36	127568.....5, 6, 8, 9, 10, 13, 15	127842.....25	128624.....21, 22, 23, 24, 25, 26, 29, 30, 36
125404.....26	127571.....15	127843.....25	128628.....30
125412.....26	127572.....15	127846.....25	128631.....10,11, 14,16,17, 18
125414.....26, 30	127573.....15	127848.....25	128632.....10
125422.....26, 30	127574.....8, 13, 15	127859.....21, 22, 25, 36	128633.....10
125423.....30	127575.....15	127865.....9, 36	128634.....10
125465.....26	127576.....15	127868.....25	128653.....11
125702.....26	127577.....15	127871.....25	128657.....11
125705.....19, 26	127579.....8, 13, 15	127872.....9	128658.....11
125706.....26	127581.....8, 13, 15	127874.....9	128705.....11
125707.....26	127582.....15	127876.....9	129001.....97
125708.....19, 26, 30	127583.....9, 15	127877.....25	129021.....6, 7, 36
125709.....26	127585.....5, 6, 7, 8, 9, 13, 14, 15, 16, 17, 18	127878.....9	129022.....9, 10, 36
125710.....11	127586.....15	127881.....25	129117.....14
125712.....11	127587.....15	127887.....25	129118.....14
125713.....8, 11, 13, 15, 18	127602.....33	127888.....9	129119.....14
125717.....11	127605.....33	127889.....25	129120.....8, 9, 10, 13, 14
125719.....26	127606.....33	127925.....9	129121.....5, 6, 7, 14
125721.....26	127607.....25, 33	127945.....9	129122.....14
125724.....26	127608.....33	127965.....25	129123.....7
125727.....97	127612.....33	128102.....31	129124.....14
125732.....26	127614.....33	128103.....31	129125.....14
125734.....26	127615.....33	128104.....31	129126.....5, 6, 7, 14
125737.....30	127616.....33	128105.....31	129127.....14
125740.....26	127621.....33	128107.....31	129128.....14
125835.....26	127622.....33	128108.....31	129129.....23, 32
125912.....20	127624.....33	128111.....10, 13	129130.....23, 32
125914.....20	127625.....33	128113.....10, 13	129133.....23,24,28,31,32, 33
125915.....20	127626.....33	128115.....13	129135.....23, 32
125916.....20	127626.....33	128117.....8, 10, 13	129138.....32
	127686.....97	128119.....13, 14	129139.....23, 28, 31
	127801.....9, 10	128121.....13	129142.....23, 32
	127803.....9	128122.....13	129143.....23
	127804.....9	128123.....13	129146.....22,23,24,28,31, 32
	127805.....9	128124.....8, 10, 13	

## Part Number Index

129147.....23, 32	129606.....5, 6	129721.....5	15078.....64
129148.....23, 28, 31, 32	129607.....5, 6, 7	129722.....5	15080.....64
129149.....14	129608.....5, 6, 7	129723.....21	15081.....64
129150.....23,24,28,31,32, 33	129609.....5, 6, 7	129726.....21	15082.....64
129151.....9, 10, 11, 14	129611.....5, 6	129731.....22	15083.....64
129154.....20,21,22,23,24,25, 26, 28, 30,31,32,33, 48	129612.....6, 7	129732.....21	15084.....64
129160.....23, 24, 28, 30	129613.....6, 7	129744.....6	15087.....64
129161.....28, 31	129614.....6	129746.....6	15089.....64
129162.....22, 24, 28, 31	129616.....5, 6	129747.....6	15090.....64
129164.....31, 32	129617.....5, 6, 7, 21, 22	129748.....21, 22	15092.....64
129171.....31, 32	129618.....6, 7	129749.....21	15093.....64
129173.....31, 32	129619.....6, 7	129777.....21	15094.....64
129174.....19, 21, 22, 23, 24, 25,26,28,30, 31, 32, 33	129623.....6	129784.....21, 24	15098.....64
129178.....21, 22, 23, 24, 28, 31, 32, 33	129625.....22	129803.....6, 36	15099.....64
129184.....22,23,28,31,32, 33	129626.....21	129807.....21, 22, 36	15100.....61, 63, 64
129188.....23, 28, 31, 32	129628.....21	129808.....6	15103.....64
129195.....23, 24, 28, 31, 32	129631.....21, 22	129809.....6	15104.....64
129196.....14	129632.....21	129811.....5	15106.....64
129197.....97	129633.....21	129818.....21	15107.....64
129198.....97	129634.....21	129851.....7	15110.....64
129202.....6, 7, 8, 13, 14, 15	129635.....6	129852.....23, 28	15112.....64
129203.....6, 13, 15	129636.....21, 22	129853.....23, 28	15113.....64
129204.....5, 6, 7, 8, 13, 15	129637.....21	129854.....23	15117.....64
129205.....6, 7, 8, 13, 14, 15	129638.....21, 22, 23, 24, 25, 28, 31, 32, 33	129856.....23	15118.....64
129207.....6, 7, 8, 13, 14, 15	129642.....21, 22	129861.....25, 36	15128.....70
129209.....5, 6, 7, 8, 13, 14	129644.....21	129862.....25, 36	15129.....74, 75, 80, 83
129212.....6, 13, 14	129645.....6	129865.....7	15130.....74, 75, 80, 83
129213.....5, 6, 7, 8, 13	129648.....21, 22, 24	129875.....7	15132.....58, 60, 64
129214.....5, 6, 13, 14	129652.....21, 22	129885.....23	15135.....65, 66, 67, 69, 83
129216.....8, 9, 13, 15	129655.....21	129902.....8	15136.....65, 66, 67, 69, 83
129226.....14, 36	129656.....21, 22	129903.....8	15140.....58
129227.....14, 36	129657.....21, 22	129904.....8	15151.....62
129236.....31, 32	129658.....22	129907.....24	15159.....61
129237.....31	129661.....22	129908.....24	15161.....58, 61, 62
129241.....5, 6, 7, 8, 13	129662.....22	129909.....24	15162.....58, 61, 62
129242.....6, 7, 8, 13	129663.....22	129911.....24	15163.....58
129243.....6, 7, 8, 13	129665.....22	129912.....24	15164.....58, 61, 62, 63
129251.....9, 10	129669.....22	129913.....24	15170.....58
129252.....10	129672.....21	129914.....24	15171.....58
129253.....9	129675.....21	129917.....24	15172.....58
129254.....8, 9, 10, 13	129677.....22	129918.....24	15173.....58
129257.....6, 7	129676.....21	129925.....8	15175.....58
129259.....6	129677.....22	129929.....8	15176.....58
129262.....5	129678.....21	129945.....8	15178.....58, 61, 62, 63
129264.....5, 6	129681.....22, 36	129946.....8, 10, 13, 36	15185.....58
129266.....5	129684.....21, 22	129955.....24	15187.....58
129282.....23	129686.....22	129958.....8	15188.....58
129341.....14	129701.....5	129959.....8	15189.....58
129343.....23, 28, 36	129702.....5	15020.....64	15191.....58, 81
129344.....28, 31	129704.....5	15026.....64	15192.....99
129352.....36	129707.....5	15029.....58, 61, 63, 64	15196.....58
129602.....5, 6	129708.....5	15039.....64	15201.....58
129603.....6, 7	129709.....5	15049.....64	15202.....58
129604.....6, 7	129713.....5	15050.....65,66,67, 69, 70, 83	15204.....58
	129714.....5	15051.....65,66,67, 69, 70, 83	15205.....58
	129716.....5	15071.....66, 72	15215.....58, 61, 62
	129719.....5	15072.....66, 72	15220.....58

## Part Number Index

15221.....58	15446.....59	261895.....96	42641.....64
15222.....58	15447.....60	261896.....96	42652.....79, 94
15223.....58	15448.....60	262811.....96	42662.....62, 70
15224.....58	15451.....84	262911.....96	427006.....71
15225.....58	15504.....59, 61, 63	266003.....94	427007.....71
15227.....58	15604.....84	28228.....66, 67, 68, 70, 71, 72, 73, 74, 75, 76, 77, 78, 79, 80, 81	427026.....65, 66, 67, 69, 76
15228.....58	15610.....61, 62, 63, 64		427027.....68, 71, 77, 80
15234.....58	15617.....84		427030.....66, 72
15239.....58	15628.....59, 61, 63	288118.....70	427031.....81
15244.....58	15649.....63	288140.....70	427038.....66, 72
15245.....58	15650.....84	388300.....79	427039.....66, 70, 72, 73, 74, 75, 79
15246.....58	15665.....74, 75, 79, 80, 84	388700.....70	42704.....66, 70
15247.....58	15706.....62	388701.....70	427040.....72, 73, 78, 79
15255.....58	15709.....61, 63	388702.....70	427042.....72, 73, 78, 79, 81
15257.....58	15714.....63	388703.....70	42705.....81
15259.....58	15717.....62	388704.....70	427056.....80
15261.....61	15718.....61, 63	388705.....70	427057.....80
15262.....61	15719.....58, 59, 61, 62, 63, 64	388706.....70	427072.....65, 66, 67, 69, 71
15263.....58	15720.....61, 63	388707.....70	427085.....71, 82
15264.....58	15724.....61, 63	388708.....70	4270901...78
15265.....58	15735.....63, 64	388709.....70	4270902...78
15271.....61	15736.....61, 63	388710.....70	4270903...78
15280.....61	15741.....61, 63	388711.....70	4270904...78
15281.....58, 61	15743.....61, 63	388715.....70	4270905...78
15283.....61	15744.....61, 63	390147.....27	427096.....68, 71, 75, 77, 80
15285.....58	15746.....61, 63	397100.....66	427101.....71, 80
15304.....62	15747.....61, 63	397101.....66	427102.....71, 80
15309.....61, 62, 63, 65, 66, 67, 68, 69, 70, 71, 72, 73, 74, 75, 76, 77, 78, 79, 80, 84	15749.....61, 63	397102.....66	427103.....71, 80
15350.....62	15756.....62	397104.....66	427104.....66, 67
15401.....60	15757.....62	397106.....66	427105.....65, 66, 67, 69, 81
15403.....60	15758.....62	397107.....66	427106.....66, 81
15405.....60	15759.....62	397112.....66	427107.....72, 78, 79, 81
15406.....60	15761.....62	397114.....66	42716.....72, 78, 82
15407.....60	15762.....99	397122.....66	42718.....80, 82
15414.....59	15763.....58, 59, 61, 62	397124.....66	427189.....71, 80
15415.....59	15775.....61, 63	401353.....95	42719.....81
15417.....59	15778.....62	401354.....95	427190.....68, 71, 74, 75, 77, 80
15423.....59	15852.....95, 96	41942.....94	427191.....68, 71, 74, 75, 77, 80
15424.....59	15901.....63	41952.....79	427192.....68, 71, 74, 75, 77, 80
15425.....59	216047.....30	422441.....94	427193.....68, 74, 75, 77
15426.....59	220312.....95	422613.....94	427194.....68, 71, 74, 75, 77, 80
15427.....59	220313.....95	42314.....99	427195.....68, 71, 74, 75, 77, 80
15428.....76, 78	22121.....66, 83	42315.....99	427196.....68, 77
15429.....59	25460.....58, 64, 81	42316.....99	42726.....74, 75, 78, 82
15430.....65, 66, 69, 76, 78	261181.....95	42410.....95	42738.....60, 81, 84
15433.....59	261182.....95	42411.....95	42754.....70, 71, 72, 73, 74, 75, 77, 78, 79, 80, 84
15434.....59	261183.....95	42454.....96	42764.....65, 67, 68, 69, 70, 71, 73, 76, 77, 84
15435.....59	261192.....95	42457.....95	42767.....74, 76, 78, 79, 82
15436.....59	261194.....95	42458.....96	42768.....72, 74, 78, 79, 82
15437.....68, 71, 77, 80, 83	261196.....95	42485.....57	42773.....59, 65, 66, 69, 76, 78
15439.....59	261198.....95	42608.....36, 64	42778.....66, 70
15441.....84	261198.....95	42609.....61, 63, 81	42779.....70
15442.....84	261888.....96	42611.....81, 99	42780.....70
15443.....84	261889.....96	42626.....36	42781.....70
15445P.....59	261891.....96	42628.....36	
	261892.....96	42631.....36	
	261893.....96	42639.....64, 81	
	261894.....96		

## Part Number Index

42782.....70	502514.....95	62444.....99	778564.....59, 61, 63, 64
42783.....62, 79	502521.....95	62455.....86	778679.....99
42784.....70, 82	502522.....95	62458.....86	778700.....99
42785.....70	502524.....95	62459.....99	820007P.....11, 25
42786.....70	502527.....95	62524.....86	820008.....34
42788.....79	502528.....95	62587.....96	820009P.....5, 6, 7, 8, 13, 14, 15, 23, 32, 33
42789.....79	502537.....95	62588.....96	820010P.....5, 6, 7, 8, 13, 14, 17, 19, 21, 22, 23, 24, 25, 26, 27, 28, 29, 30, 31, 32, 33, 34, 35, 57, 58, 59, 64
42790.....79	502538.....95	62589.....96	820011P.....5, 6, 7, 8, 9, 10, 11, 12, 13, 14, 15, 16, 17, 18, 21, 22, 23, 24, 25, 26, 27, 28, 29, 30, 31, 32, 33, 58, 59, 61, 63, 64
42791.....79	502608.....95	622600.....96	820013P.....17, 25, 64
42797.....65, 66, 67, 68, 69, 71, 73, 74, 76, 77, 78, 79, 80, 82	502611.....95	622610.....96	820014P.....17, 21, 27, 57, 61, 63
42798.....66, 72, 74, 77, 78, 79, 82	503605.....95	622615.....96	820015P.....11, 19, 21, 22, 23, 24, 25, 26, 28, 29, 31, 32, 33, 35, 58
42799.....65, 68, 82	503628.....95	622680.....96	820016P.....15, 33, 34, 61, 63, 64
42802.....64	503629.....95	622690.....96	820017P.....16, 18, 30
42803.....64	503795.....95	622695-L..96	820018P.....25, 33
42810.....61	503796.....95	622695-R..96	820038P.....5, 6, 7, 8, 9, 10, 13, 14, 15, 16, 17, 18
42820.....61	504652.....95	62730.....86	820039P.....12
428210.....81	505020.....95	62731.....86	820043P.....59, 61, 63
428230.....65, 66, 67, 69, 81	505565.....95	62806.....85	820062P.....11
428240.....66, 70, 81	507708.....95	62807.....85	820072P.....5, 6, 7, 8, 9, 10, 13, 14, 15, 16, 18
428250.....81	507709.....95	62808.....85	820080P.....5, 6, 7, 8, 9, 10, 12, 13, 14, 15, 16, 17, 18
42837.....70	5116230...97	62809.....85	820092.....61, 63
42838.....70	5240-KIT...57	62810.....85	820094P.....5, 6, 7, 8, 9, 10, 12, 13, 15, 16, 17, 18
42839.....70	52406A.....57	62814.....85	820120P.....12, 62, 64
43020.1...72	600617.....70	62815.....85	820214P.....57
43020.2...72	611577.....86	62816.....85	820306.....21
43020.3...72	611581.....86	62828.....85	820311P.....59, 62
43020.4...72	611582.....86	62829.....85	820312P.....58, 62
43020.5...72	611583.....86	62870.....85	820314.....34
430411.....72	611584.....86	62871.....85	820322P.....5, 6, 7, 8, 13, 14, 15
430412.....72	611616.....86	62872.....85	821026.....12
430413.....72	611919.....86	62873.....85	824407P.....5, 6, 7, 8, 9, 10, 12, 13, 14, 17
430414.....72	611920.....86	62888.....86	828005.....12
430415.....72	611921.....86	62890.....86	834023.....27
431411.....72	611956.....86	62911.....96	845097.....7, 12, 16, 17, 18
431412.....72	61896.....85	63018.....86	860037.....27
431413.....72	621131.....96	63019.....86	860137.....34, 35
431414.....72	621132.....96	63020.....86	861068.....12
431415.....72	621146.....96	63021.....86	863051.....12, 14, 16, 17, 18
43827.....71, 80, 81	621147.....96	63026.....86	
45822.....61, 63, 65, 67, 68, 70, 71, 73, 74, 75, 76, 77, 78, 79, 81	621148.....96	63027.....86	
45825.....61, 63, 65, 67, 68, 71, 72, 73, 74, 75, 76, 77, 78, 79, 81	62137.....86	63028.....86	
45827.....59, 61, 63, 65, 66, 67, 68, 69, 71, 72, 73, 74, 75, 76, 77, 78, 79, 81	62138.....86	63029.....86	
45833.....59, 61, 63, 65, 66, 67, 69, 76, 78, 81	62139.....86	63030.....86	
45836.....59, 65, 66, 67, 78, 81	62140.....86	63031.....86	
45840.....59, 65, 78, 81	62141.....86	63032.....86	
	62142.....86	63033.....86	
	621502.....96	700418.....12	
	62215.....85	730486.....94	
	62231.....85	734332.....96	
	62233.....85	734333.....96	
	62321.....86	734407.....96	
	62322.....86	734408.....96	
	62323.....86	734409.....96	
	62324.....86	734411.....96	
	62325.....86	761947.....74	
	62326.....86	762325.....70	
	62343.....86	778559.....58, 61, 62, 63	

## Part Number Index

900000.....17, 36	AP0250.....37, 38	AP1407.....42, 43, 44, 46	AP14821.....39, 40, 41,
900001.....12, 16	AP0254.....37, 48	AP1407/S.....39, 40, 46, 47	46, 47
900002.....36	AP0274.....37, 42	AP1408.....38, 39, 40, 41,	AP1483.....39, 40, 41,
900003.....34, 36	AP0353F2.....49, 50	42, 43, 44, 46, 47	42, 43, 44, 46, 47
900009.....36	AP0354F.....49	AP1409P.....38, 39, 40,	AP1484.....41,42, 43, 45
900010.....26, 29, 30, 35, 36	AP0361F.....42	41, 42, 43, 44, 46, 47,	AP1484PVDS...39, 46
900013.....27, 36	AP0361F1.....42	48, 49, 50, 51, 52, 53,	AP1484/S.....39, 40, 46, 47
900014.....9, 10, 14, 36	AP0363F.....39	54, 55, 56	AP1485.....43
900015.....11, 36	AP0363F1.....39	AP1410P.....41, 42, 43,	AP1486.....42
900016.....18, 19, 20, 36	AP0367-1.....41	46, 47, 51	AP1487.....42, 46, 47
900017.....5, 6, 7, 14, 36	AP0371.....37, 38	AP1413.....38, 39, 40,	AP2020.....23, 28, 31,
900018.....8, 13, 15, 36	AP0480K.....37	41, 42, 43, 44, 46, 47	51, 56
900020.....59, 81	AP0517.....43	AP1414.....42	AP2021.....21, 22, 23,
900021.....36, 58	AP0527.....43	AP1415.....38, 39, 40,	24, 25, 28, 31, 32, 33,
900023.....21, 22, 23, 24,	AP0528.....43	41, 42, 43, 44, 46, 47	48, 49, 50, 51, 52, 53,
25, 28, 31, 32, 33, 36	AP0620.....37, 39, 46	AP1419.....39, 40, 41,	54, 55, 56
910912.....12	AP0624.....49	42, 43, 44, 46, 47	AP2028.....51, 56
944022.....97	AP0624B.....49, 50	AP1420P.....42	AP2028/S.....56
957004P.....11, 12, 16, 17,	AP0624BS.....53	AP1429.....51, 56	AP2029/1.....50, 51, 55
88, 89, 94	AP0624S.....49	AP1438P.....21, 22, 23,	AP02031.....23, 28, 31,
957025P.....27, 61, 63	AP0624Y.....49, 50	24, 28, 31, 32, 42, 49,	32, 37
	AP0810.....38	50, 51, 53, 54, 55, 56	AP2033.....21, 22, 23,
	AP0810P.....38	AP1445P.....38, 39, 40,	24, 25, 28, 31, 32, 33,
	AP0810TL.....38	41, 42, 43,44, 46, 47, 87	49, 51, 53, 54, 55, 56
	AP0811.....48	AP1446.....41, 42, 43	AP2034.....48, 49, 50,
	AP0811P.....48	AP1446G.....43	51, 52, 53, 54, 55, 56
	AP0811TL.....48	AP1461.....37, 48, 49,	AP2035.....48, 49, 50,
	AP0903K.....37	50, 51	51, 52, 53, 54, 55, 56
	AP1000K.....37	AP1461Y.....37, 48, 49,	AP2036.....21, 22, 23,
	AP100181.....48	50, 51, 52	24, 25, 28, 31, 32, 33,
	AP1151.....22, 23, 24, 28,	AP1470.....41, 42, 43	49, 50, 51,53,54,55, 56
	31, 32, 49, 50, 51, 53,	AP1470/S.....39,40, 46, 47	AP2037.....49, 50, 51,
	54, 55, 56	AP1471.....41, 42, 43,	53, 54, 55, 56
	AP1154P.....48, 49, 50, 51,	44, 46	AP2038SQ.....22, 23, 28,
	52, 53, 54, 55, 56, 85	AP1471/S.....39,40,46, 47	31, 32, 49, 50, 51, 53,
	AP1157P.....87	AP1472.....39, 40, 41,	54, 55, 56
	AP1159P.....49, 53, 54, 56	42, 43, 44, 46, 47	AP2039.....51, 56
	AP1166P.....38, 39, 40, 41,	AP1473.....39,42,43, 46	AP2039/Y.....51
	42, 43, 44, 46, 47	AP14731.....40, 41, 44, 47	AP2041P.....21,22,23,24,
	AP1267P.....48, 49, 50, 51,	AP1474.....39, 41, 42,	25, 28, 31, 32, 33, 49,
	52, 53, 54, 55, 56	43, 44, 46, 47	50, 51, 53, 54, 55, 56
	AP1277P.....85	AP14741.....43	AP02741.....37, 39
	AP1298P.....38, 44, 85	AP1475.....39, 40, 41, 42,	AP5002.....49, 50, 51,
	AP1299P.....38, 39, 40, 41,	43, 44, 45, 46, 47	54, 55, 56
	42, 43, 46, 47	AP1476.....39, 40, 41, 42,	AP5003.....50, 51, 55
	AP1300P.....39, 40, 41, 43,	43, 44, 46, 47	AP5013PVD....53
	44, 46, 47	AP1477F.....42, 43, 46, 47	AP5013PVDS...49, 54, 56
	AP1402.....39, 40, 42, 43,	AP14771.....43	AP5013/S.....49, 56
	46, 47	AP1478.....39, 40, 41, 42,	AP5014.....40
	AP1403.....42, 43	43, 44, 46, 47	AP5015.....51, 56
	AP1403PVD....44	AP1479.....40, 41, 42, 43,	AP5101.....39, 45, 46
	AP1403PVDS...39, 46	47	AP5101PVDS...39, 46
	AP1403/S.....39, 40, 46, 47	AP1480.....42	AP5102.....40, 47
	AP1404.....39, 40, 42, 43,	AP1480F.....45	AP5103.....42
	44, 46, 47	AP1481.....42	AP5104.....41
	AP1406/1.....39, 40, 42, 43	AP1482.....39,42,43,45,46	AP5105.....41
	44, 46, 47		AP5106.....41

## Symbols AP

AP0137NHP.....37
AP0146180.....37
AP0146180IMP..37
AP0163.....38
AP0168.....38
AP0175F.....48
AP0175M.....48
AP0175T.....48
AP0175TL.....48
AP0189NHP.....37
AP0195.....37
AP0198.....37, 49
AP0198DSW....37, 53
AP0198NHP.....37
AP0199.....37
AP0199DSW....37
AP0200.....37, 48
AP0201.....37, 48
AP0203.....37, 51
AP0203/1.....37,51
AP0203/S.....37
AP0206.....37, 50, 51, 52
AP0211.....37, 41, 42, 43
AP0211BS.....37, 44
AP0211/S.....37, 40, 46, 47
AP0219/AA.....37, 49, 50, 51,
52 53, 54, 55, 56
AP0219R..... 37
AP0227/AA.....37, 45
AP0228.....45
AP0241/AA.....37, 39, 40, 41,
42, 43, 44, 46, 47
AP0249.....37, 54

## Part Number Index

AP5201.....43	AP5802/C.....49, 56	AP6236Y.....37, 48, 49, 51	AP7589F....48
AP5202.....41, 43	AP5803.....49, 50, 51, 53,	AP6238.....49	AP7589G....48
AP522002P....87	54, 55, 56	AP6238F.....49	AP7589Y....48
AP5309.....39, 40, 46, 47	AP5804.....56	AP6239.....39	AP7590.....48
AP5309B.....46	AP5805.....23, 28, 31, 51,	AP6308100....47	AP7592.....48
AP53095BS....44	56	AP63081200...39, 46	AP7595.....48
AP5324G.....50, 55	AP5807.....51	AP6309.....53	AP7596B....48, 87
AP5324K.....37, 48, 49,	AP5807/Y.....51, 56	AP6577.....54, 56	AP7596G....48
50, 51, 53, 54, 55, 56	AP5822.....51	AP6577F.....49	AP7596P....48
AP5695.....38	AP5830.....49, 53, 54, 56	AP6577FS.....49	AP7596Y....48
AP5701.....87	AP6201.....38, 46	AP6577FPVDS..49	AP7610.....87
AP5702.....87	AP6202.....38, 39, 40, 41,	AP6577PVDS..54, 56	
AP5702NP....87	42, 43, 44, 46, 47	AP6577/S.....54, 56	
AP5703.....87	AP6210.....49, 50, 54, 55	AP6578.....49, 53, 54, 56	<b>Symbols APF</b>
AP5704.....87	AP6211.....49, 50, 53, 54,	AP7048.....85	APF124563....24, 26, 36
AP5705.....87	55	AP7051.....85	APF124565....36
AP5706.....87	AP6211G.....50, 55	AP7306.....44	APF124566....24, 26, 29, 36
AP5707.....48, 52	AP6211Y.....50, 55	AP7307.....44	
AP5711P.....48, 49, 52, 53,	AP6212.....49, 50, 54, 55	AP7308.....44	
54, 56	AP6212G.....50, 55	AP7309.....39, 44	<b>Symbols AT</b>
AP5713.....38	AP6212Y.....50, 55	AP7310.....44	AT20.....98
AP5714.....38	AP6213.....49, 50, 53, 54,	AP7311.....44	AT20F.....98
AP5716.....38	55	AP7312.....44	AT21.....98
AP5717.....38	AP6214.....54, 55	AP7314.....53	AT30.....98
AP5721.....39, 44, 46	AP6214Y.....55	AP7316.....53	AT31.....98
AP5722.....39, 44, 46	AP6215.....49, 50, 53, 54,	AP7317.....53	AT42.....98
AP5725.....39, 40, 41, 45	55	AP7318.....53	AT45.....98
AP5731.....87	AP6216.....49, 50, 53, 54,	AP7500.....45	AT46.....99
AP5745.....87	55	AP7501.....45	AT47.....98
AP5746.....87	AP6216S.....49, 54	AP7502.....45	AT51.....98
AP5747.....37	AP6217.....49, 54	AP7505.....45	AT62.....98
AP5747IMP...37	AP6217PVDS..49, 54	AP7506.....45	AT68.....98
AP5750.....38	AP6218.....50, 55	AP7507.....45	AT69.....98
AP5751.....38	AP6218G.....50, 55	AP7508.....45	AT70.....98
AP5751G....38	AP6218Y.....50, 55	AP7510.....45	AT71.....98
AP5751P....38	AP6219G.....50, 55	AP7512.....45	AT72F.....98
AP5751TL...38	AP6219K.....49, 50, 53,	AP7518.....45	AT74.....98
AP5752.....38	54, 55	AP7520.....45	AT75.....98
AP5753.....38	AP6220K.....49, 50, 53,	AP7550.....52	AT76.....98
AP5754.....38	54, 55	AP7553.....52	AT77.....98
AP5755.....38	AP6221B.....54	AP7554.....52	AT79K.....98
AP5756.....38	AP6221S.....54	AP7556.....52	AT7009.....99
AP5757.....38	AP6222.....49, 50, 53, 54,	AP7557.....52	
AP5758.....38	55	AP7558.....52	
AP5759.....38	AP6223.....48, 49, 50, 53,	AP7560.....52	
AP5763.....38	54, 55	AP7561.....52	
AP5764.....38	AP6224.....54, 55	AP7562.....52	<b>Symbols D</b>
AP5766.....38	AP6224N.....55	AP7563.....48, 52	D00094.....95
AP5767.....38	AP6225.....54	AP7570.....48	D00095.....95
AP5768.....38	AP6226.....49, 54	AP7577.....48	D1030.....96
AP5769.....38	AP6228.....50, 55	AP7578.....48	D1040.....96
AP5770.....38	AP6228N.....50, 55	AP7579.....48	D1050.....96
AP5800.....51, 56	AP6229.....50, 55	AP7581.....48	D1050B.....96
AP5801.....51, 56	AP6230.....49, 50, 53, 54,	AP7582.....48	D1060.....96
AP5801/Y....51, 56	55	AP7584.....48	D1060B.....96
AP5802.....49, 50, 51, 53,	AP6236.....37, 48, 49, 51,	AP7586.....48	D1070B.....96
54, 55, 56	53	AP7589.....48	D1091.....95

## Part Number Index

D1094.....95	NS114132.....93
D2701C.....95	NS114134.....92
D2783.....95	NS114135.....92
D7130M.....96	NS115111.....91
D7402P.....95	NS115124.....91
D7424.....95	NS911135.....91
D7701B.....95	NS911136.....91
D8151S.....94	NS911138.....90
D8298B.....94	NS911139.....90
D8299.....94	NS911141.....90
D10800.....96	NS911142.....88
D17012.....95	NS911143.....89
D17013.....95	NS911144.....89
D17014.....95	NS911145.....91
D17015.....95	NS911146.....91
D17016.....95	NS911148.....89, 91
D17018.....95	NS911149.....90
D17026.....96	NS911152.....88
D17039.....95	NS911153.....90
D17040.....95	NS911154.....88
D17043.....96	NS911155.....91
D17045.....95	NS911156.....89
D17049.....96	NS911157.....91, 99
D17074.....96	NS911158.....89
D17076.....96	NS911159.....91
D17183.....95, 96	NS911161.....88
D27320.....95	NS911175.....93
D27609.....95	NS911176.....93
D27814.....95	NS911177.....88
D48198.....94	NS911178.....88
D70500A.....96	NS911279.....89
D70500B.....96	NS911314.....89
D70500P.....96	NS911315.....89
D71100M.....96	NS911332.....90
D71101PV.....96	NS911339.....90
D82980.....94	NS911369.....92, 94
D82981.....94	
D82987.....94	
D188700.....95	
D188701.....95	
DPV.....96	
DPVA0.....96	
DPVA1.....96	

**Symbols M**

M105320.....12

**Symbols NS**

NS114111.....92  
NS114112.....92  
NS114113.....92  
NS114114.....92  
NS114115.....93  
NS114131.....92

W5X-25

**TOLL FREE ORDER DESK**

800.775.DIVE (3483)

From 7:00AM to 5:00PM PST

Monday - Friday

AQUA  LUNG<sup>®</sup>

 **apeks<sup>®</sup>**