

LEGEND LX and LUX regulator

LEGEND LX and LUX SUPREME regulator

First stage: balanced diaphragm mechanism with dry chamber

Maximum service pressure: 300 bar DIN version,
232 bar Yoke version
4 outlets MP 3/8 UNF
2 outlet HP 7/16 UNF
Medium Pressure: 8.5 bar \pm 0.5 bar
Flow rate: 1500 l/min with HP = 200 bar

Body made of brass with bright or satin chrome
Protectors: elastomer
Removable crown, spring: stainless steel
Conical filter: bronze with nickel coating
O-ring : EPDM

Second stage: Pneumatically balanced

Cracking effort: between 2,5 to 3,5 mbar
(3.3 to 4.3 mbar for Supreme version).

Combined Adjusting System: Venturi + cracking effort.

Box bottom: technopolymer
Front cover: over-moulded
Mouthpiece, exhaust valve, seat, diaphragm:
Silicone
Adjustable crown: made of brass with chrome

The LUX version has a black and pink-gold PVD treatment on metal parts. This treatment increases resistance to abrasion.

AquaFlex IP Hose: Length = 730 \pm 5 mm

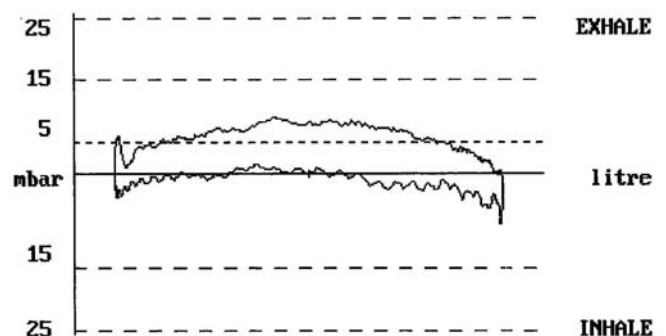
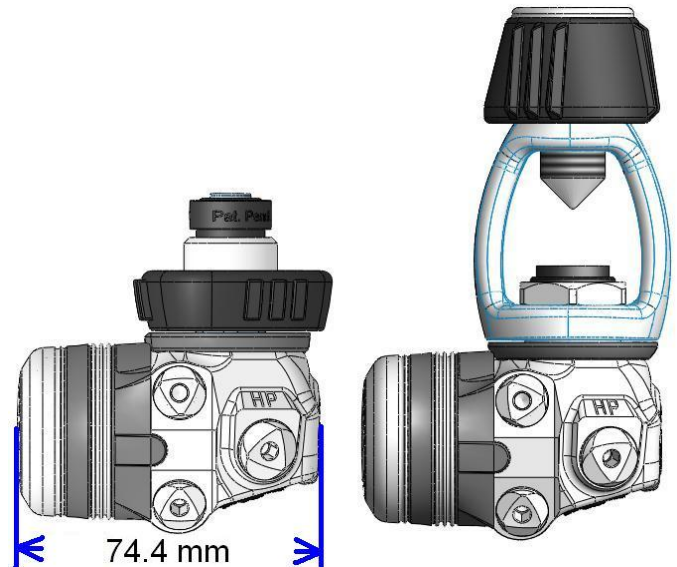
Legend Yoke weight: 1220 g
Yoke first stage weight: 882 g
Second stage weight: 200 g

Legend Din weight: 1008 g
Din first stage weight: 668 g

Breathing performances:

Average work of breathing less than 0.70 J/L for:
RMV = 62.5 l/min, depth = 50 m and a service pressure of 50 bar.

Certification: In accordance with the EN250 standard for warm and cold water (Supreme version).



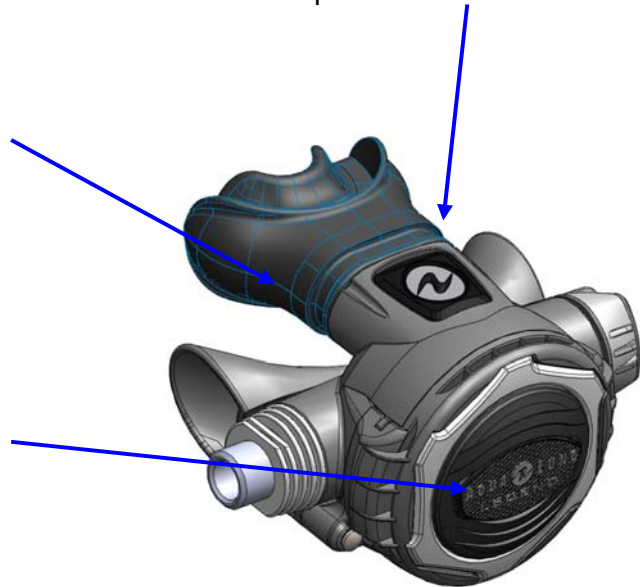
Comfo-bite mouthpiece (patent) fix with a removable clamp :

- Reduces the tiredness of the jawbones muscles,
- Quick change for disinfection operations.

Over-moulded Front Cover:

- Control of the purge of the regulator by the end stop.
- Easy purge of the regulator thanks to the large button
- Upscale look thanks to high-gloss polycarbonate.

Visibility of the model's name, brand and logo on the entire product



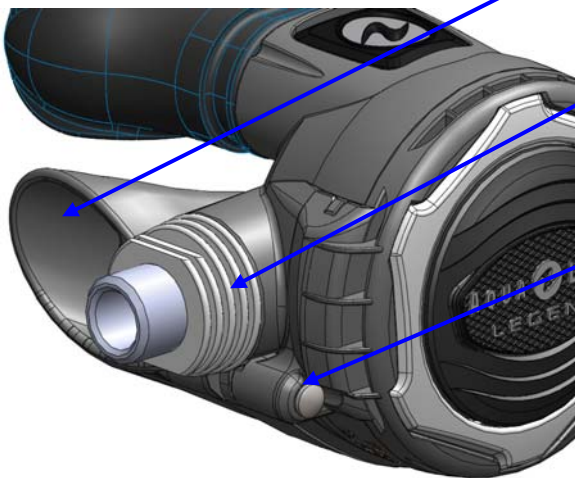
New shape of the Exhaust Tee to improve the visibility in swimming position and to channel the expired gas.

Heat exchanger:

Allows the evacuation of the negative kilocalories due to the air expansion (patent)

Locking system:

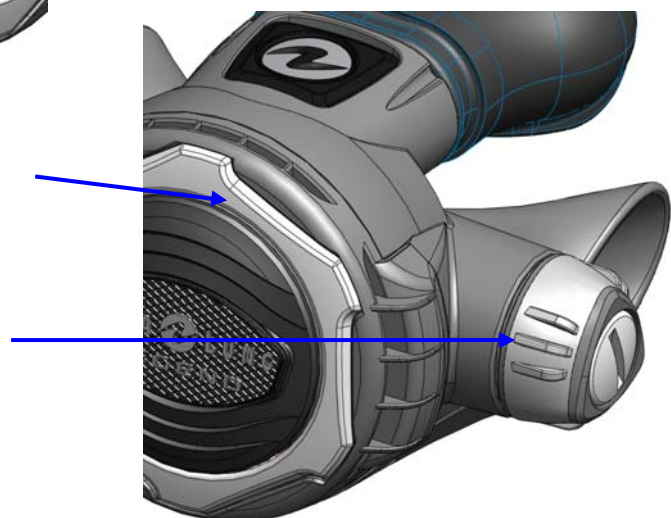
- Allows eliminating the stresses in the Box Bottom (no thread, no tightening)
- Allows indexing the Front Cover.



Radial openings for the passage of water on the membrane to avoid free flows when diving in the current

Combined Adjusting System (Venturi + cracking effort) to master the breathing effort :

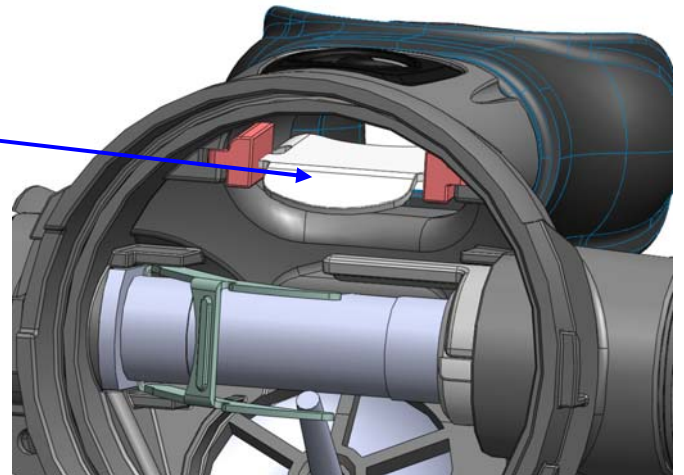
Bi-material knob with a "soft grip" surface for a better grip.
Combined and rapid adjustment on one turn



Flow deflector in the inhale pipe:

Lead the air flow evenly into the mouthpiece during the inhalation phase

Bi-material Deflector (technopolymer + Stainless Steel) to reduce its thickness and increase the exhalation effort



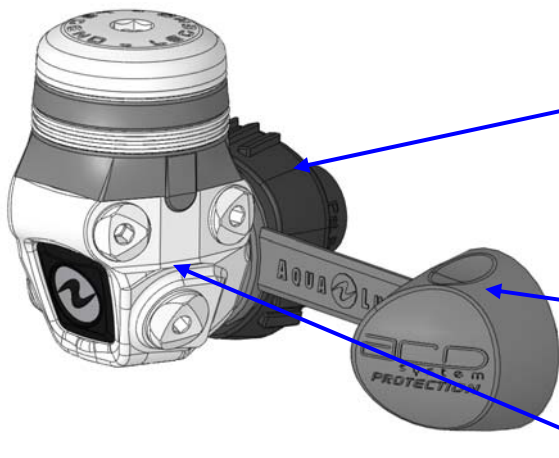
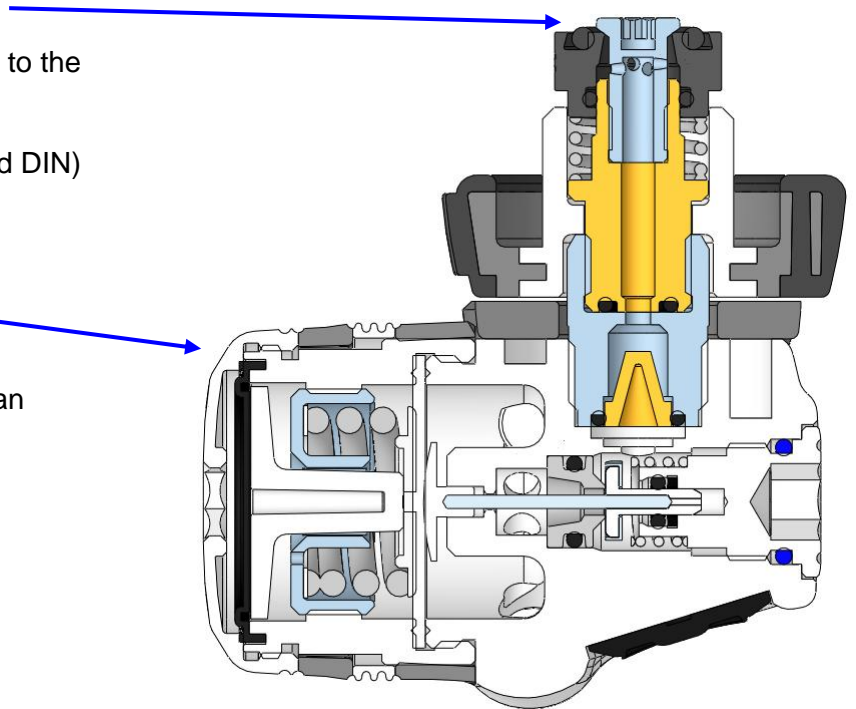
ACD system (patented):

Close the regulator when not connected to the valve.

Available on both connections (Yoke and DIN)

Dry Chamber:

- Resistance to freezing improved,
- Maintains the internal components clean and dry.



Handwheel

Bi-material wheel with "Soft Grip" surface for a better grip and efficiency when mounting and dismantling on the valves.
Available on both connections (Yoke and DIN)

Attached cap to the regulator to protect the thread of the connection from shocks and preserve the ACD from dust.
Available on both connections (Yoke and DIN)

MP and HP outlets perfectly positioned allow an ideal orientation of the hoses.

Products & kits references:

Legend LX yoke version:	129620
Legend LX Din version:	129630
FIRST STAGE Legend LX yoke:	129635
FIRST STAGE Legend LX DIN:	129645
SECOND STAGE Legend LX:	129655
Legend LUX yoke version:	129640
Legend LUX Din version:	129650
FIRST STAGE Legend LUX yoke:	129685
FIRST STAGE Legend LUX DIN:	129695
SECOND STAGE Legend LUX:	129705
Legend LX Supreme yoke version:	129680
Legend LX Supreme Din version:	129690
FIRST STAGE Legend LX Supreme yoke:	129745
FIRST STAGE Legend LX Supreme DIN:	129755
SECOND STAGE Legend LX Supreme:	129675
Legend LUX Supreme yoke version:	129700
Legend LUX Supreme Din version:	129710
FIRST STAGE Legend LUX Supreme yoke:	129685
FIRST STAGE Legend LUX Supreme DIN:	129695
SECOND STAGE Legend LUX Supreme:	129715
SECOND STAGE Octopus Legend:	129720
Flexible MP AQUAFLEX:	129679
Flexible MP AQUAFLEX Octopus:	129681
FIRST STAGE Din / yoke servicing kit:	129797
SECOND STAGE servicing kit:	129798
Legend servicing kit:	129799
Yoke to Din Conversion Kit:	129803