

LEGEND regulator

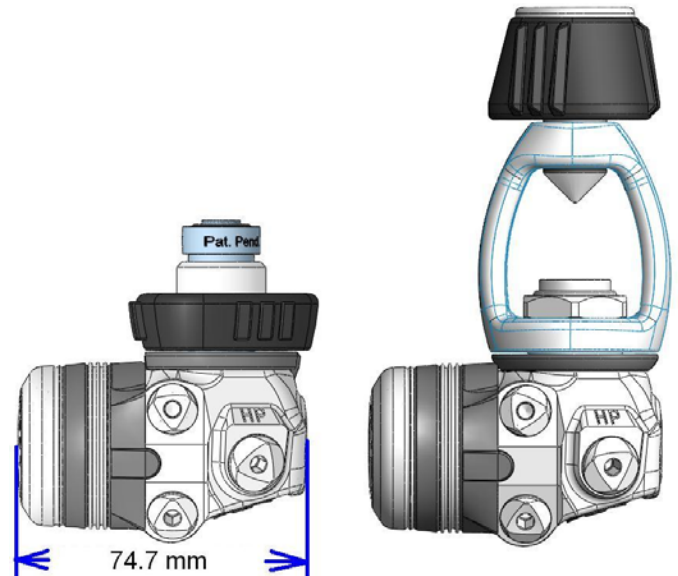
LEGEND SUPREME regulator

First stage: balanced diaphragm mechanism with dry chamber

Maximum service pressure: 300 bar DIN version,
232 bar Yoke version
4 outlets MP 3/8 UNF
2 outlet HP 7/16 UNF
Medium Pressure: 8.5 bar \pm 0.5 bar

Flow rate: 1500 l/min with HP = 200 bar

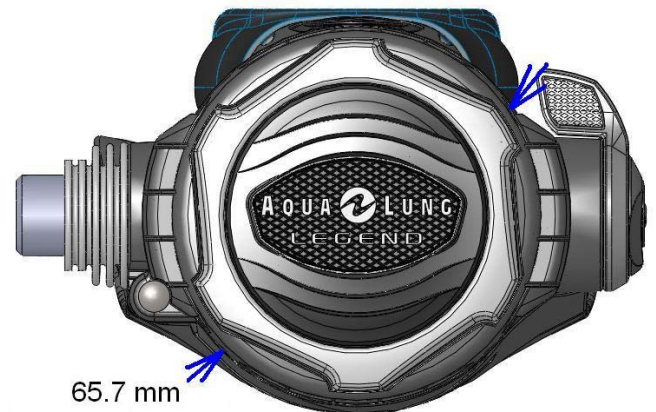
Body made of brass with bright or satin chrome
Protectors: elastomer
Removable crown, spring: stainless steel
Conical filter: bronze with nickel coating
O-ring : EPDM



Second stage: Pneumatically balanced

Cracking effort: between 2,5 to 3,5 mbar
(3.3 to 4.3 mbar for Supreme version).

Venturi effect tuning
Box bottom: made of technopolymer
Cover: over-moulded
Mouthpiece, exhaust valve, seat, diaphragm:
Silicone
Adjustable crown: made of brass with chrome



AquaFlex IP Hose: Length = 730 \pm 5 mm

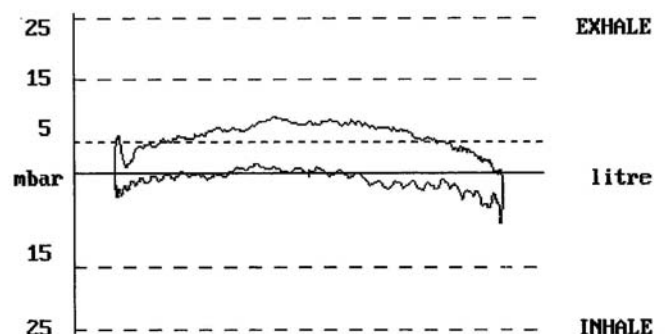
Legend Yoke weight: 1220 g
Yoke first stage weight: 882 g
Second stage weight: 200 g

Legend Din weight: 1008 g
Din first stage weight: 668 g

Breathing performances:

Average work of breathing less than 0.70 J/L for:
RMV = 62.5 l/min, depth = 50 m and a service
pressure of 50 bar.

Certification: In accordance with the EN250
standard for warm and cold water
(Supreme version).



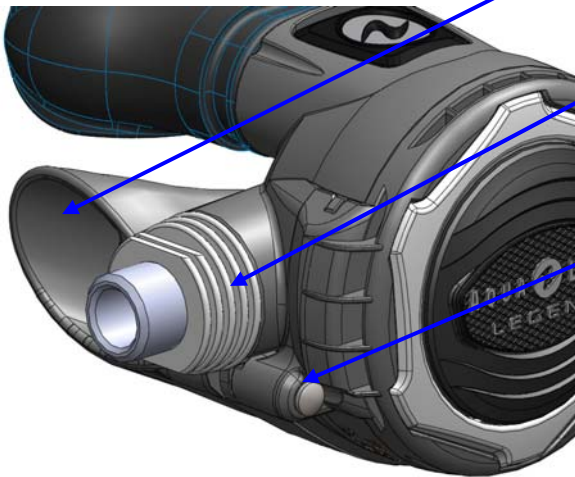
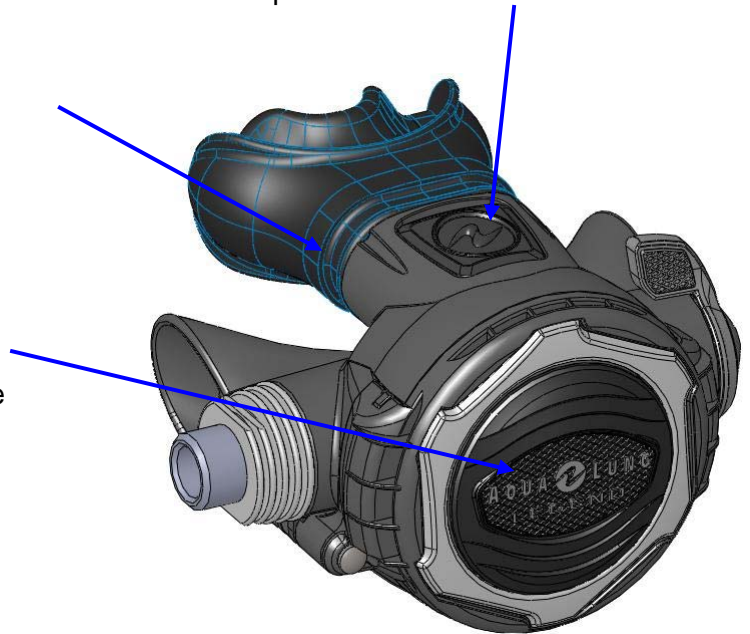
Comfo-bite mouthpiece (patent) fix with a removable clamp :

- Reduces the tiredness of the jawbones muscles,
- Quick change for disinfection operations.

Over-moulded Front Cover:

- Control of the purge of the regulator by the end stop.
- Easy purge of the regulator thanks to the large button
- Upscale look thanks to high-gloss polycarbonate.

Visibility of the model's name, brand and logo on the entire product



New shape of the Exhaust Tee to improve the visibility in swimming position and to channel the expired gas.

Heat exchanger:
Allows the evacuation of the negative kilocalories due to the air expansion (patent)

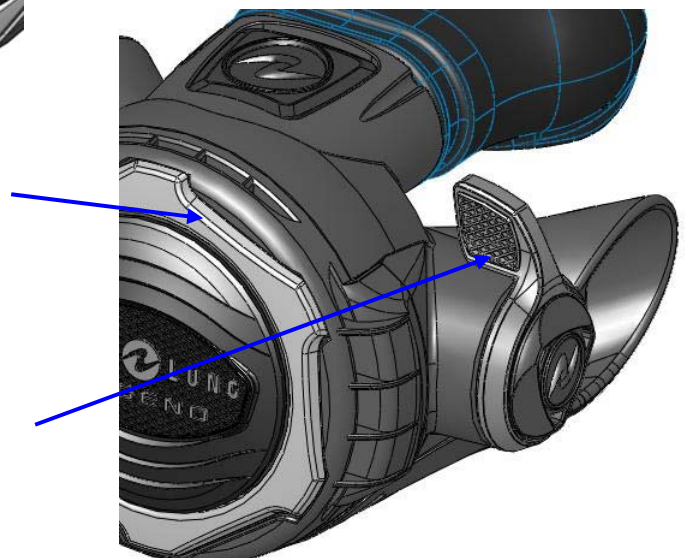
Locking system:
- Allows eliminating the stresses in the Box Bottom (no thread, no tightening)
- Allows indexing the Front Cover.

Radial openings for the passage of water on the membrane to avoid free flows when diving in the current

An ergonomic, effective and progressive Venturi Lever:

Reduces potential free flow in surface and provide maximum gas flow at depth.

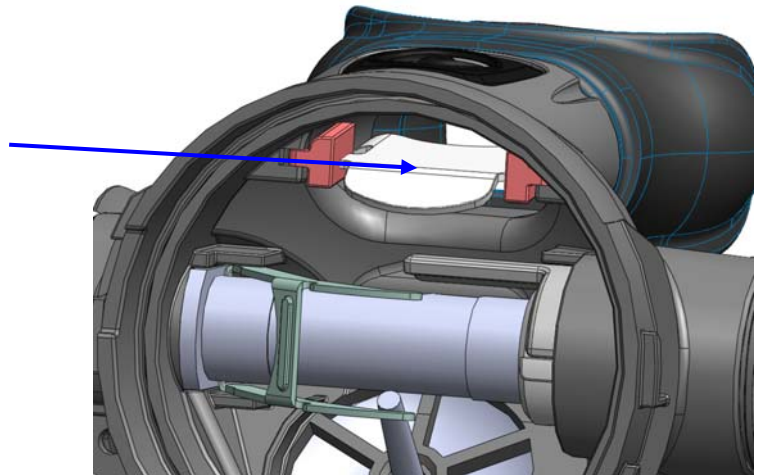
A "textured" surface for a better grip.



Flow deflector in the inhale pipe:

Lead the air flow evenly into the mouthpiece during the inhalation phase

Bi-material Deflector (technopolymer + Stainless Steel) to reduce its thickness and increase the exhalation effort



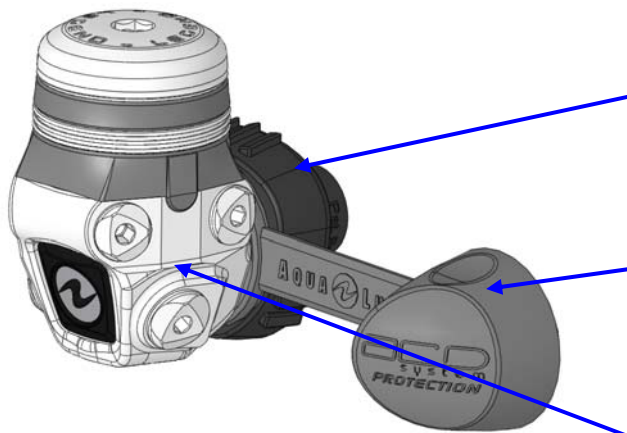
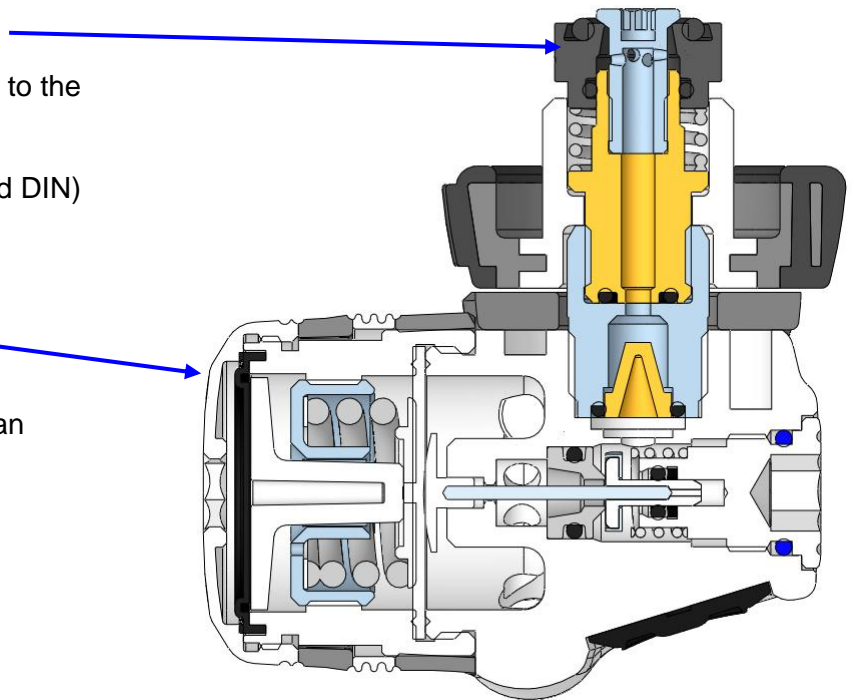
ACD system (patented):

Close the regulator when not connected to the valve.

Available on both connections (Yoke and DIN)

Dry Chamber:

- Resistance to freezing improved,
- Maintains the internal components clean and dry.



Handwheel

Bi-material wheel with "Soft Grip" surface for a better grip and efficiency when mounting and dismounting on the valves.

Available on both connections (Yoke and DIN)

Attached cap to the regulator to protect the thread of the connection from shocks and preserve the ACD from dust.

Available on both connections (Yoke and DIN)

MP and HP outlets perfectly positioned allow an ideal orientation of the hoses.

Products & kits references:

Legend yoke version:	129600
Legend DIN version:	129610
FIRST STAGE Legend yoke:	129605
FIRST STAGE Legend DIN:	129615
SECOND STAGE Legend:	129625

Legend Supreme version yoke:	129660
Legend Supreme version DIN:	129670
FIRST STAGE Legend Supreme yoke:	129725
FIRST STAGE Legend Supreme DIN:	129735
SECOND STAGE Legend Supreme:	129665

Legend Supreme NITROX / O2:	129765
-----------------------------	--------

SECOND STAGE Octopus Legend:	129720
------------------------------	--------

Flexible MP AQUAFLEX:	129679
Flexible MP AQUAFLEX Octopus:	129681

FIRST STAGE Din / yoke servicing kit:	129797
SECOND STAGE servicing kit:	129798
Legend servicing kit:	129799

Yoke to Din Conversion Kit:	129803
-----------------------------	--------