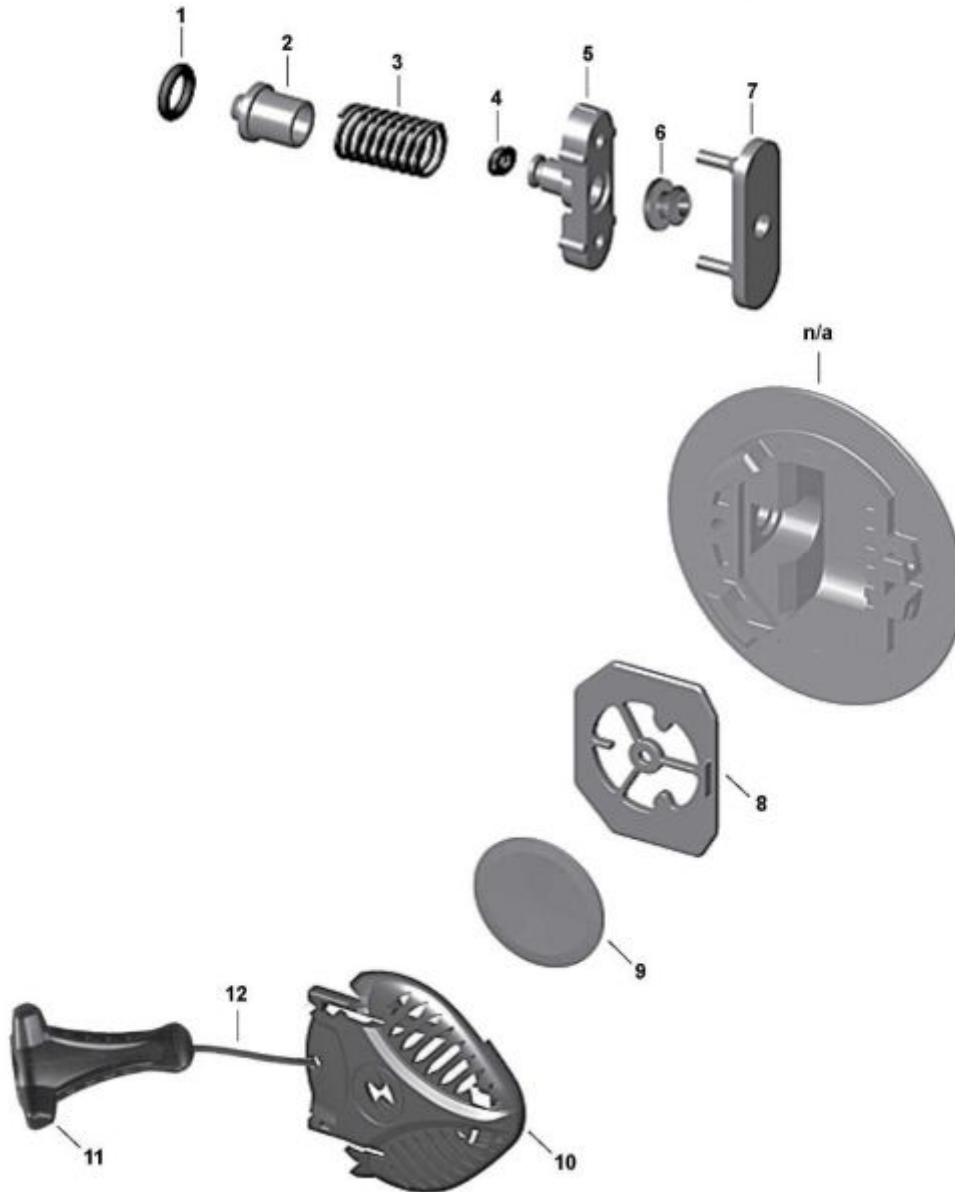


## Flat E-Valve on i3 model BC's



- |                     |                          |
|---------------------|--------------------------|
| <b>1 ---820010P</b> | <b>O-ring (25 pk)</b>    |
| 2 --15404           | Seal, Cylinder, Black    |
| 3 -- 15407          | Spring, S/S              |
| <b>4 -- 15408P</b>  | <b>Quad Ring (10 pk)</b> |
| 5 -- 15401          | Plate, Seal, Black       |
| 6 -- 15402          | Plug, Cord Hole          |
| <b>7 -- 15406</b>   | <b>Seal, Gray</b>        |
| 8--15403            | Plate, Valve, Blk        |
| 9--15115            | Valve, Exhaust, Red      |
| 10 -- 15405         | Cap, Blk                 |
| 11 -- 12277         | Pull Knob                |
| 12-- 42738          | Pull Dump Cord (25')     |

