

2015

SPARE PARTS CATALOG

AQUA  LUNG®

 **apeks**®

 SUUNTO





ONLINE TRAINING PROGRAM

Aqua Lung offers online training courses through our secure B2B or Technician Only are at www.aqualung.com

Successful completion of a course results in a printable wall certificate acknowledging the store or technician and provides access to repair manuals, associated schematics, bulletins and resource materials.



To learn more about online training, logon to the B2B or Tech Only site and click the Online Training found under *Technical Support*.

BENEFITS:

- Online courses serve as a qualification program and an up-to-date reference source
- Training can take place anytime 24/7 and anywhere the internet is available
- Each course contains multimedia, text, photos, illustrations and videos and can be paused and resumed as needed with knowledge retention measured by quizzes along the way
- After the course has been successfully completed, the student may return as often as they wish as long as they remain employed by an Aqua Lung dealer.
- Allows Aqua Lung to communicate directly with service department personnel
- Affordable, the \$40.00 per course fee can be recovered by servicing just one regulator

Table of Contents

How to Use the Spare Parts Catalog & Price List.....	4	XTX200/100/50 Series (2006-2012) (<i>discontinued</i>)	55
AQUA LUNG FIRST STAGES		XTX40/20 Series (2006-2012) (<i>discontinued</i>)	56
Legend Lux Series (2012-Present).....	5	ATX200/100/50 Series (2002-2008) (<i>discontinued</i>).....	57
Legend Series (2012-Present).....	6	CYLINDER VALVES	
Legend Glacia (2014-Present).....	7	K-Valve•DIN Valve•Z-Valve Air (<i>discontinued</i>)	58
Core Series (2015-Present).....	8	AIRSOURCE & INFLATORS	
Mikron	9	Airsource 3.....	59
Titan Series (2010-Present)	10	i3 Inflator & Oral Assembly.....	60
Calypso Series (2004-Present).....	11	Flat E-Valve.....	61
Conshelf XIV Series.....	12	Powerline Inflator	62
Titan LX Series (<i>discontinued</i>).....	13	Apeks Inflator	63
Legend Series (<i>discontinued</i>).....	14	Powerline Inflator w/Dual Valve.....	64
Kronos Series (<i>discontinued</i>).....	15	Air Source 2	65
Titan Series (<i>discontinued</i>)	16	BUOYANCY COMPENSATORS (Current Models)	
Cousteau • SEA (<i>discontinued</i>).....	17	Axiom • Axiom i3 • Balance/Libra	66
MISTRAL REGULATOR (<i>discontinued</i>)		Black Ice (Apeks) • Dimension i3/Lotus i3	67
Mistral First Stage	18	Pearl • Pro HD • Soul i3	68
Mistral Second Stage.....	19	WTX • WTX-D (Apeks).....	69
Mistral Mouthpiece.....	20	Wave 2010 • Zuma.....	70
AQUA LUNG SECOND STAGES		BUOYANCY COMPENSATORS (Discontinued Models)	
Legend LX Series (2012-Present)	21	Black Diamond	71
Legend Series (2012-Present).....	22	Diva LX/Diva XLT • Diva QD • Diva.....	72
Legend LX Glacia (2007-Present)	23	Latitude XLT • Latitude	72
Core Series (2015-Present).....	24	Malibu • Pacifica.....	73
Mikron Series	25	Passport • Pearl i3	74
Titan/Calypso QC Series (2010 to Present)	26	Pro LT • Pro QD (Aqua Lung).....	75
Titan/Calypso Classic Series (2004 to Present)	27	Pro • Pro-QD (SQ) • Pro-XLT • Pro-QD i3	76
Conshelf XIV	28	Pro Unlimited • Wave (SQ).....	77
Legend Glacia Octopus	29	BACKPACKS & ACCESSORIES	
ABS Octopus	30	Buoyancy Compensator Accessories	78
Titan LX & Legend Series (<i>discontinued</i>)	31	Weight Pouches	79
Legend LX Series (<i>discontinued</i>).....	32	Backpack Components	80
Kronos Series (<i>discontinued</i>).....	33	Cap-off Kit • Dump Valve Kits.....	81
Micra ADJ (<i>discontinued</i>).....	34	DIVE COMPUTERS AND GAUGES	
Titan•Cousteau•Calypso•Partner•Octo (<i>discontinued</i>)	35	Apeks Analog Instruments	82
Aqua Lung Common Reg Spares	36	Eon Steel	83
Apeks Common Reg Spares	37	Tank Pod • Transmitter.....	84
APEKS FIRST STAGES		Cobra 3 • Cobra 2 • Cobra	85
Black Sapphire.....	38	Helo2 • Vytec • Vyper • Zoop • Gekko.....	86
Flight	39	D4 • D6 • D9 • DX	87
XTX200 (2006-Present).....	40	CB Console•Quick Disconnect.....	88
XTX100 (2006-Present)	41	Stinger•Spyder•Mosquito•D3	89
TEK 3	42	Compass Wrist Boot•Straps•Misc	90
XTX50 • ATX50 • TX50 • XTX40 • ATX40	43	ACCESSORIES	
XTX20 • AT20 • DS4	44	Masks • Snorkels	91
Status (<i>discontinued</i>)	45	Fins • Knives • Lights	92
ATX200 (2002-2008) (<i>discontinued</i>).....	46	TOOLS	
ATX100 (2004-2006) (<i>discontinued</i>).....	47	Aqua Lung • Sea Quest Regulator Tools	93
APEKS SECOND STAGES		Apeks Regulator Tools	94
Black Sapphire.....	48	BC & Air Source • Valve Tools.....	95
Flight Series	49	Suunto HP Quick Disconnect Tools	96
XTX200/100/50 Series (2013-present)	50	INDEX	
XTX40/20 Series (2013-present)	51	Parts Index.....	97
ATX40 • AT20 Series (2002-Present).....	52		
TX50 (Military only).....	53		
Egress.....	54		

How to Use the Spare Parts Catalog & Price List

The Spare Parts Catalog & Price List are designed to be easy-to-use references for locating currently available part numbers and prices for most Aqua Lung products, including regulators, BCs, valves, instruments and rubber goods. It is not intended to be a substitute for the various Aqua Lung Repair Manuals. Because the schematic drawings and parts listed contain the most recent revisions to the products shown, this document should be referred to exclusively whenever ordering replacement parts.

Finding the part number and price

There are three simple steps for finding a part number and its price:

- Find the product in the Table of Contents of this catalog and turn to the appropriate page.
- Find the part in the exploded drawing and note the key number. Find the key number in the parts listing located below the exploded drawing. Next to the key number is the part number.
- Refer to the **Spare Parts & Specialty Tools Price List**, and locate the part number. Next to the part number is the dealer price and retail price.

Mandatory overhaul replacement parts

Some products have mandatory overhaul replacement parts, which should be replaced every time the product is serviced. Any part in **BOLD ITALICS** is considered a mandatory overhaul part, and should not be reused under any circumstances after the product has been disassembled. These parts can be ordered individually, or in complete kits which are available for each model regulator.

Parts no longer available (NLA)

Some older, discontinued products have parts that are no longer available. If a part was never or no longer available, the letters NLA will replace the part number in the parts list.

Parts no shown (N/S)

Part are available but not shown on the schematic.

Using the Part Number Index

If you know the part number for a specific item and want to find where it is used (or isn't used), you will want to use the Part Number Index . To use the index, you first need to locate the part number in the listing. Next to each part number are the page numbers on which the part can be found. If, for example, you want to know what products use the AP2034 medium pressure seat, you can refer to the Part Number Index, where you will find the pages to the products that use AP2034.

A Reminder

Parts may only be sold to Authorized Aqua Lung Pro-Line Dealers, and must be installed only by technicians who have received factory authorized training. Proper storage is important to ensure the quality of these parts. Be sure to store parts in a manner to prevent premature degradation of rubber and other soft materials, and to prevent damage to those parts which contain delicate sealing surfaces.

Legend LUX Series 2012-Present



NOTE: In 2013, there was a change to the Legend body. If replacing one of the following parts (9,26,34,39) it's very important to refer to Technical Bulletin #38 Jan 1, 2013 for more information.

Key #	Part #	Description
-------	--------	-------------

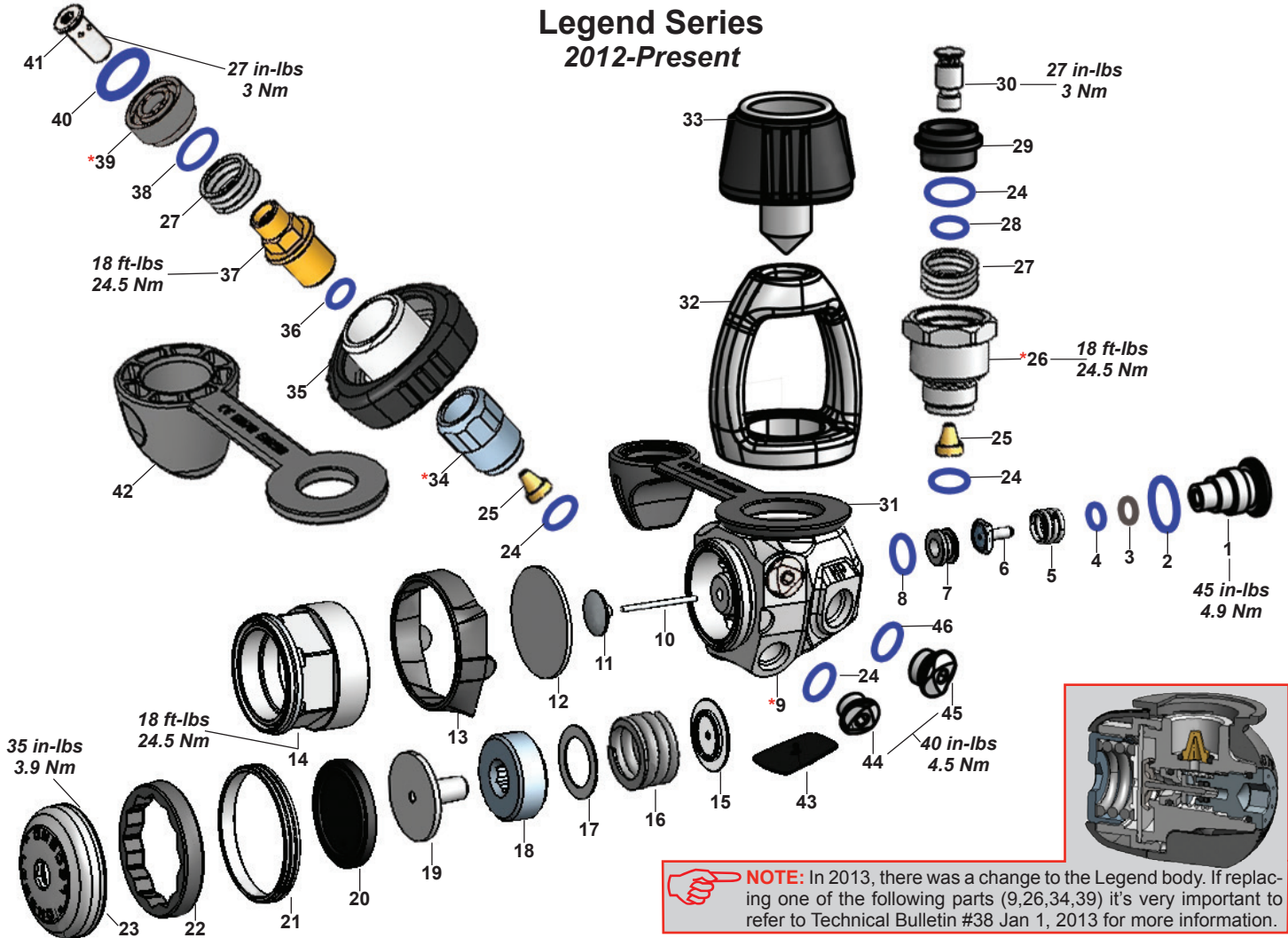
-----	900017	Overhaul Parts Kit ACD (Yoke and DIN)
1----	129709	HP Balance Plug, Pink/Gold
2----	824407P	O-ring (20 pk)
3----	119129	Backup ring
4----	820080P	O-ring (25 pk)
5----	122244	Spring
6----	105940	HP Seat
7----	127585	Crown
8----	820038P	O-ring (20 pk)
9----	129262	Body, Black PVD, 2013
----	129811	Body, Black PVD
10----	102002	Pin
11----	129121	Pin Support
12----	119159	Diaphragm
13----	129609	Protector, Dry Chamber
14----	129602	Diaphragm Clamp
15----	127565	Spring Pad
16----	127567	Main Spring
17----	127568	Washer
18----	127566	Adjustment Screw
19----	129606	Piston
20----	129126	Diaphragm, Secondary
21----	129702	Ring, Pink/Gold
22----	129611	Washer, Dry Chamber
23----	129701	Dry Chamber Cap, Black PVD

Part numbers in **BOLD ITALICS** indicate standard overhaul replacement part

Key #	Part #	Description
-------	--------	-------------

24----	820011P	O-ring (25 pk)
25----	129209	Filter, ACD
26----	129266	Yoke Retainer, Black PVD, 2013
----	129719	Yoke Retainer, Black PVD
27----	129204	Spring, ACD
28----	820009P	O-ring (10 pk)
29----	129704	Yoke Crown, Pink/Gold
30----	129716	Yoke Shutter Valve, Black PVD
31----	129607	Dust Cover, Yoke
32----	129713	Yoke, Black PVD
33----	129721	Yoke Screw, Pink/Gold
34----	129241	DIN Union, 2013
----	129214	DIN Filter Holder
35----	129722	DIN Handwheel, Black PVD
36----	820010P	O-ring (25 pk)
37----	129213	DIN Screw
38----	820322P	O-ring (10 pk)
39----	129264	DIN Shutter Crown, Black PVD, 2013
----	129616	DIN Shutter Crown, Black PVD
40----	820094P	O-ring (20 pk)
41----	129714	DIN Shutter Valve, Pink/Gold
42----	129608	DIN Cap
43----	129617	Decal
44----	129707	Plug, MP Port, 3/8 inch, Pink/Gold
45----	129708	Plug, HP Port, 7/16 inch, Pink/Gold
46----	820072P	O-ring, HP Port (20 pk)

Legend Series 2012-Present



NOTE: In 2013, there was a change to the Legend body. If replacing one of the following parts (9,26,34,39) it's very important to refer to Technical Bulletin #38 Jan 1, 2013 for more information.

Key #	Part #	Description
-------	--------	-------------

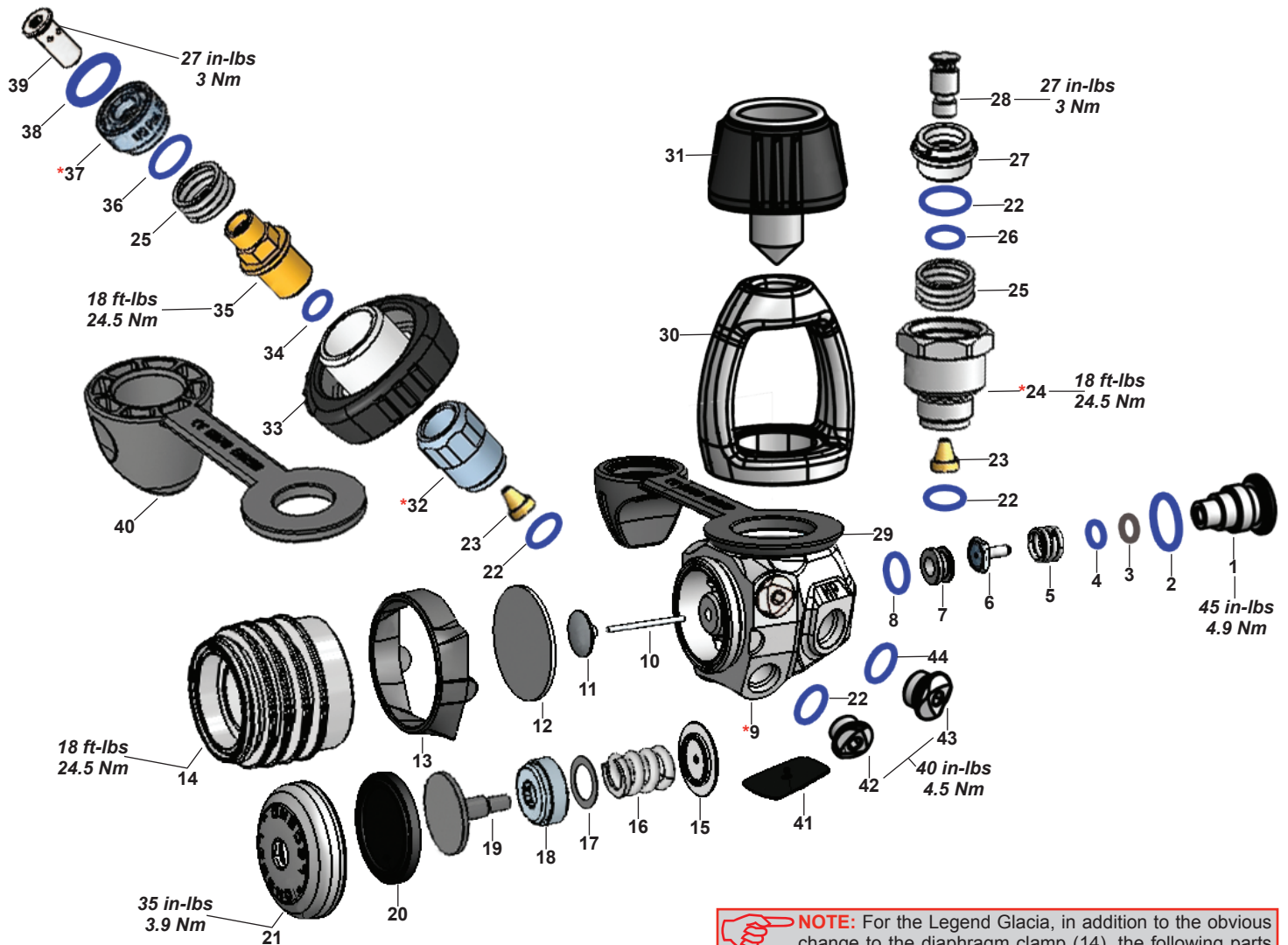
----	900017	Overhaul Parts Kit ACD (Yoke and DIN)
----	129635	First Stage Legend LX ACD, Yoke
----	129645	First Stage Legend LX ACD, DIN
----	129021	DIN Adapter Kit, (2013>)
----	129803	DIN Adapter Kit, (2012)
1	129604	HP Balance Plug, Chrome, LX & Legend
----	129746	HP Balance Plug, Satin, LX Supreme & Legend Sup
2	824407P	O-ring (20 pk)
3	119129	Backup ring
4	820080P	O-ring (25 pk)
5	122244	Spring
6	105940	HP Seat
7	127585	Crown
8	820038P	O-ring (20 pk)
9	129257	Body, Chrome, LX & Legend, 2013
----	129808	Body, Chrome, LX & Legend
----	129259	Body, Satin, LX Supreme & Leg Supreme, 2013
----	129809	Body, Satin, LX Supreme & Legend Supreme
10	102002	Pin
11	129121	Pin Support
12	119159	Diaphragm
13	129609	Protector, Dry Chamber
14	129602	Diaphragm Clamp
15	127565	Spring Pad
16	127567	Main Spring
17	127568	Washer
18	127566	Adjustment Screw
19	129606	Piston
20	129126	Diaphragm, Secondary
21	129623	Ring, Chrome, LX & Legend
----	129747	Ring, Satin, LX Supreme & Legend Supreme

Key #	Part #	Description
-------	--------	-------------

22	129611	Washer, Dry Chamber
23	129603	Dry Chamber Cap, Chrome, LX & Legend
----	129744	Dry Chamber Cap, Satin, LX Supreme & Legend Sup
24	820011P	O-ring (25 pk)
25	129209	Filter, ACD
26	129242	Yoke Retainer, Chrome, 2013
----	129212	Yoke Retainer, Chrome
27	129204	Spring, ACD
28	820009P	O-ring (10 pk)
29	129614	Yoke Crown, Black, LX & LX Supreme
----	129205	Yoke Crown, Chrome, Legend & Legend Supreme
30	129207	Yoke Shutter Valve, LX & Legend
31	129607	Dust Cover, Yoke
32	124611	Yoke, Chrome, LX & Legend
----	106843	Yoke, Satin, LX Supreme & Legend Supreme
33	129618	Yoke Screw
34	129241	DIN Union, 2013
----	129214	DIN Filter Holder
35	129619	DIN Handwheel
36	820010P	O-ring (25 pk)
37	129213	DIN Screw
38	820322P	O-ring (10 pk)
39	129264	DIN Shutter Crown, Blk PVD, LX & LX Sup, 2013
----	129616	DIN Shutter Crown, Black PVD, LX & LX Supreme
----	129243	DIN Shutter Crown, Chrome, Leg & Leg Sup, 2013
----	129203	DIN Shutter Crown, Chrome, Legend & Leg Sup
40	820094P	O-ring (20 pk)
41	129202	DIN Shutter Valve
42	129608	DIN Cap
43	129617	Decal
44	129612	Plug, MP Port, 3/8 inch
45	129613	Plug, HP Port, 7/16 inch
46	820072P	O-ring, HP Port (20 pk)

Part numbers in **BOLD ITALICS** indicate standard overhaul replacement part

Legend Glacia 2014-Present



NOTE: For the Legend Glacia, in addition to the obvious change to the diaphragm clamp (14), the following parts (15-19) are not the same as the rest of the Legend series.

Key #	Part #	Description
-----	900017	Overhaul Parts Kit ACD (Yoke and DIN)
-----	129865	First Stage, Glacia Legend, Yoke
-----	129875	First Stage, Glacia Legend, DIN
-----	129021	DIN Adapter Kit, (2013>)
1----	129604	HP Balance Plug, Chrome
2----	824407P	O-ring (20 pk)
3----	119129	Backup ring
4----	820080P	O-ring (25 pk)
5----	122244	Spring
6----	105940	HP Seat
7----	127585	Crown
8----	820038P	O-ring (20 pk)
9----	129257	Body, Chrome
10----	102002	Pin
11----	129121	Pin Support
12----	119159	Diaphragm
13----	129609	Protector, Dry Chamber
14----	129851	Diaphragm Clamp
15----	124560	Spring Pad
16----	106356	Main Spring
17----	845097	Washer
18----	106026	Adjustment Screw
19----	129123	Piston

Part numbers in **BOLD ITALICS** indicate standard overhaul replacement part

Key #	Part #	Description
20----	129126	Diaphragm, Secondary
21----	129603	Dry Chamber Cap, Chrome
22----	820011P	O-ring (25 pk)
23----	129209	Filter, ACD
24----	129242	Yoke Retainer, Chrome
25----	129204	Spring, ACD
26----	820009P	O-ring (10 pk)
27----	129205	Yoke Crown, Chrome
28----	129207	Yoke Shutter Valve
29----	129607	Dust Cover, Yoke
30----	124611	Yoke, Chrome
31----	129618	Yoke Screw
32----	129241	DIN Union
33----	129619	DIN Handwheel
34----	820010P	O-ring (25 pk)
35----	129213	DIN Screw
36----	820322P	O-ring (10 pk)
37----	129243	DIN Shutter Crown, Chrome
38----	820094P	O-ring (20 pk)
39----	129202	DIN Shutter Valve
40----	129608	DIN Cap
41----	129617	Decal
42----	129612	Plug, MP Port, 3/8 inch
43----	129613	Plug, HP Port, 7/16 inch
44----	820072P	O-ring, HP Port (20 pk)

**Core Series
2015-Present**

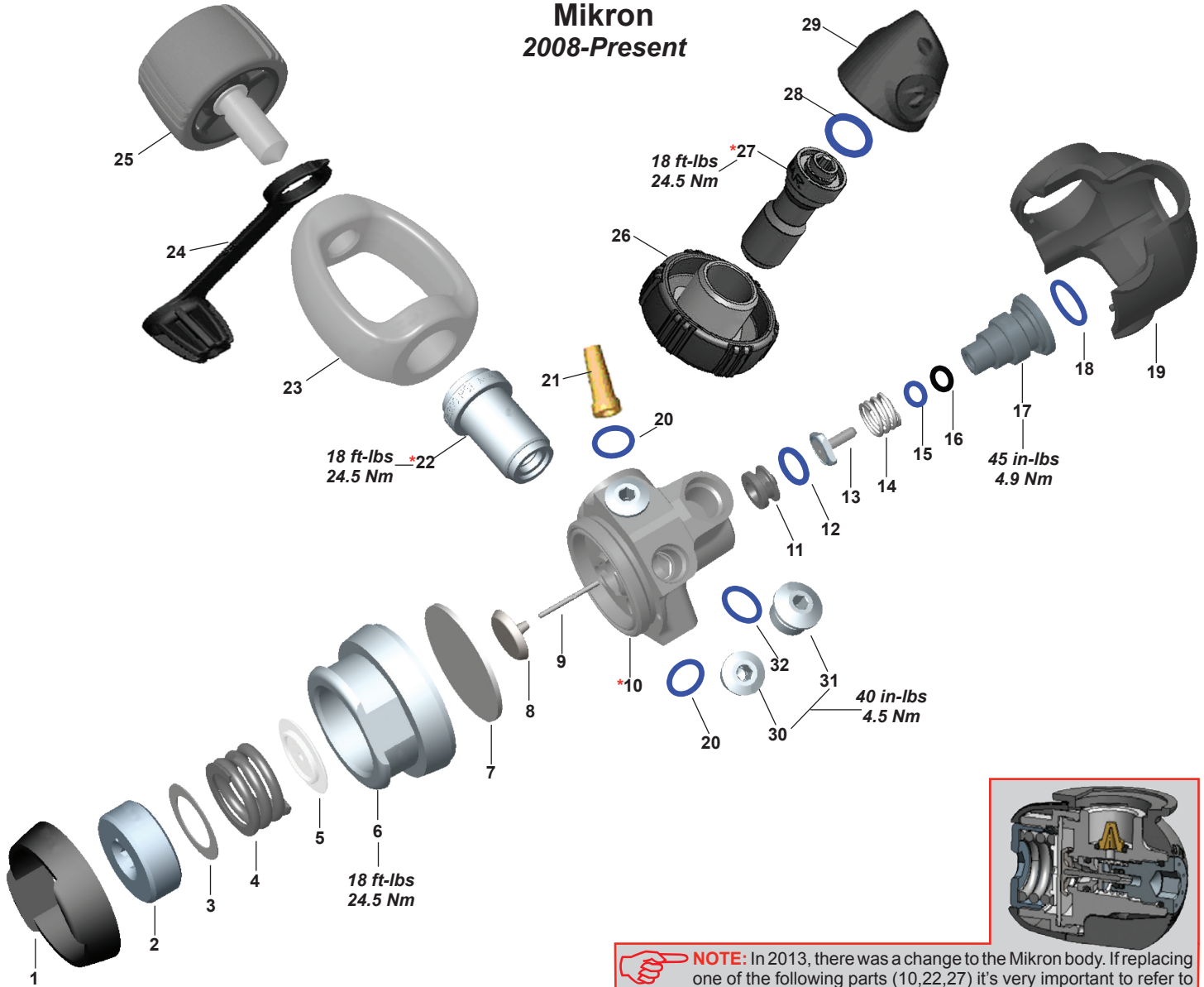


Key #	Part #	Description
----	900018	Overhaul Parts Kit, (Yoke and DIN)
----	129925	First Stage, Core Supreme, Yoke
----	129946	DIN Adapter Kit, ACD, Core
----	129945	Supreme/Dry Kit, Core
1----	129902	Diaphragm Retainer
2----	127579	Diaphragm, Secondary
3----	125713	Decal, Aqua Lung Logo
4----	127581	Piston
5----	128117	Adjustment Screw
----	127566	Adjustment Screw, Supreme
6----	127568	Washer
7----	127567	Spring
8----	127565	Spring Pad
9----	129904	Diaphragm Clamp
----	129903	Diaphragm Clamp, Supreme
10----	129958	Washer w/Decal
----	129959	Washer w/Decal, Supreme
11----	119159	Diaphragm
12----	127563	Pin Support
13----	127564	Pin
14----	129254	Body
15----	127585	Crown

Key #	Part #	Description
16----	820038P	O-ring (20 pk)
17----	105940	HP Seat
18----	122244	Spring
19----	820080P	O-ring (25 pk)
20----	119129	Back-up Ring
21----	824407P	O-ring (20 pk)
22----	129120	Plug
23----	128124	Protector, Body
24----	820072P	O-ring (20 pk)
25----	103137	Plug, HP Port, 7/16"
26----	820011P	O-ring (25 pk)
27----	103133	Plug, MP Port, 3/8"
28----	129209	Filter
29----	124611	Yoke
30----	127574	Yoke Screw
31----	124555	Dust Cap
32----	129242	Yoke Retainer
33----	129204	Spring
34----	820009P	O-ring (10 pk)
35----	129205	Yoke Crown
36----	129207	Yoke Shutter Valve
37----	129241	DIN Union
38----	129929	DIN Handwheel
39----	820010P	O-ring (25 pk)
40----	129213	DIN Screw
41----	820322P	O-ring (10 pk)
42----	129243	DIN Shutter crown
43----	820094P	O-ring (20 pk)
44----	129202	DIN Shutter Valve
45----	129216	DIN ACD Cap

Part numbers in **BOLD ITALICS** indicate standard overhaul replacement part

Mikron 2008-Present



NOTE: In 2013, there was a change to the Mikron body. If replacing one of the following parts (10,22,27) it's very important to refer to Technical Bulletin #38 Jan 1, 2013 for more information.

Key #	Part #	Description
----	900014	Overhaul Parts Kit, (Yoke and DIN)
----	127945	First Stage, Mikron, Yoke, Blk/Blue
----	127925	First Stage, Mikron, Yoke, Blk/Pink
----	129022	DIN Adapter Kit (2013>)
----	127865	DIN Adapter Kit (<2012)
1----	127888	Spacer, Black/Blue
----	127878	Spacer, Black/Pink
----	127872	Spacer, Black/Green
----	127837	Spacer, Black/Red
----	127839	Spacer, Vanilla
2----	127566	Adjustment Screw
3----	127568	Washer
4----	127567	Spring
5----	127565	Spring Pad
6----	127583	Spring Retainer
----	127874	Spring Retainer, (2-HP Ports)
7----	119159	Diaphragm
8----	127563	Pin Support
9----	127564	Pin
10----	129254	Body, 2013
----	NLA	Pre 2013 Body, w/2-HP Ports
----	NLA	Pre 2013 Body, w/1-HP Port
11----	127585	Crown

Key #	Part #	Description
12----	820038P	O-ring (20 pk)
13----	105940	HP Seat
14----	122244	Spring
15----	820080P	O-ring (25 pk)
16----	119129	Back-up Ring
17----	129120	Plug
18----	824407P	O-ring (20 pk)
19----	127876	Sheath, Black, (2-HP Ports)
----	127831	Sheath, Vanilla, (1-HP Port)
----	127804	Sheath, Black, (1-HP Port)
20----	820011P	O-ring (25 pk)
21----	129151	Filter
22----	129253	Inlet Fitting, 2013
----	127808	Inlet Fitting
23----	127807	Yoke
24----	124555	Dust Cap
25----	127805	Yoke Screw
26----	127803	DIN Handwheel
27----	129251	DIN Fitting, 2013
----	127801	DIN Fitting
28----	820094P	O-ring (20 pk)
29----	129216	DIN ACD Cap
30----	103133	Plug, MP Port, 3/8"
31----	103137	Plug, HP Port, 7/16"
32----	820072P	O-ring (20 pk)

Part numbers in **BOLD ITALICS** indicate standard overhaul replacement part

Titan Series (non ACD)
2010-Present



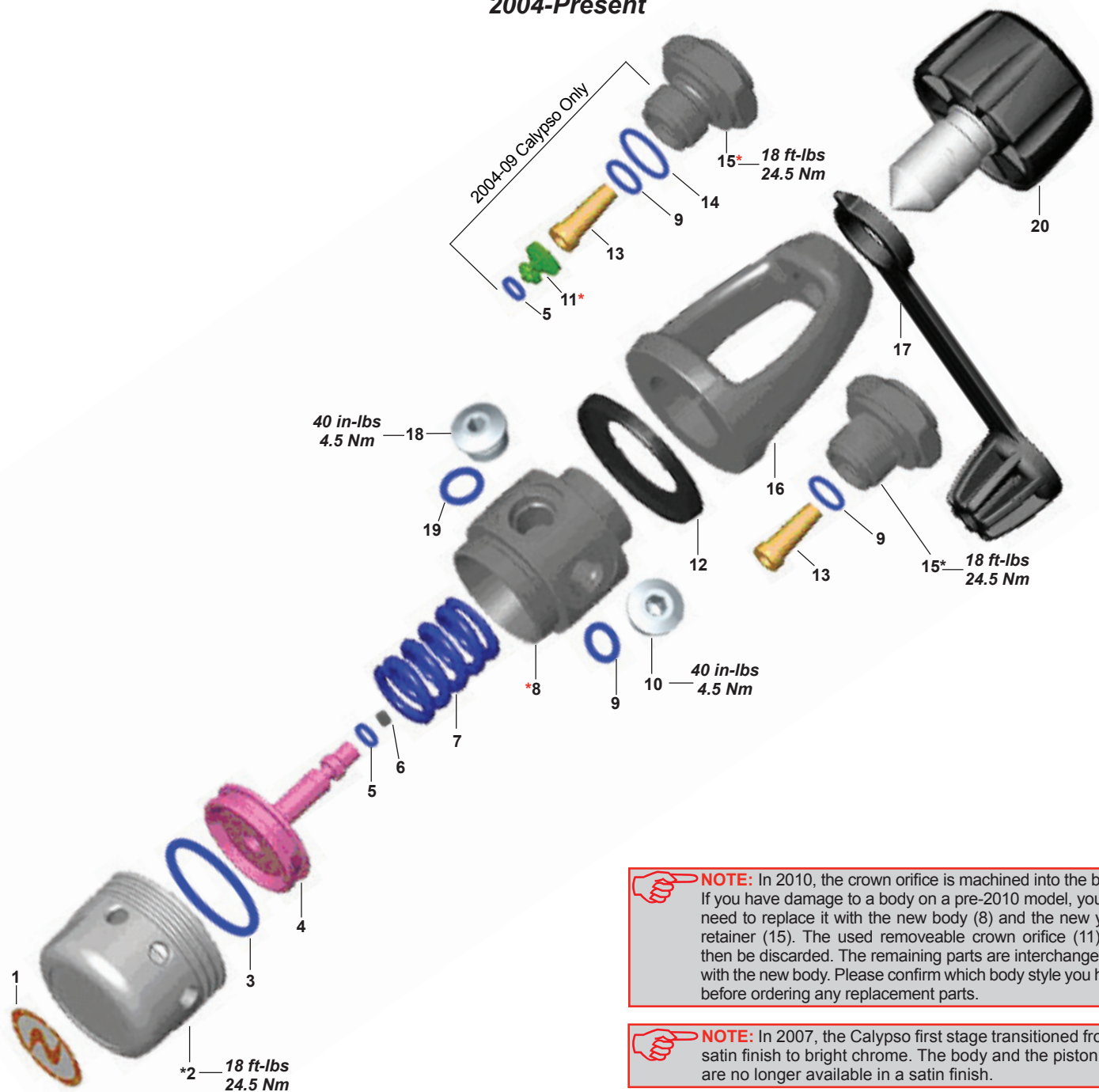
NOTE: In 2013, there was a change to the Titan body. If replacing one of the following parts (10,25,30) it's very important to refer to Technical Bulletin #38 Jan 1, 2013 for more information.

Key #	Part #	Description
12	820038P	O-ring (20 pk)
13	105940	HP Seat
14	122244	Spring
15	820080P	O-ring (25 pk)
16	119129	Back-up Ring
17	824407P	O-ring (20 pk)
18	129120	Plug
19	128124	Protector, Body, (2-HP Ports)
	128111	Protector, Body, (1-HP Port)
20	820072P	O-ring (20 pk)
21	103137	Plug, HP Port, 7/16"
22	820011P	O-ring (25 pk)
23	103133	Plug, MP Port, 3/8"
24	129151	Filter
25	129252	Inlet Fitting, 2013
	128633	Inlet Fitting
26	124611	Yoke
27	124555	Dust Cap
28	128631	Yoke Screw
29	128632	DIN Handwheel
30	129251	DIN Fitting, 2013
	127801	DIN Fitting
31	820094P	O-ring (20 pk)
32	107443	DIN Cap

Key #	Part #	Description
----	900014	Overhaul Parts Kit, (Yoke and DIN)
----	128205	First Stage, Titan, Yoke
----	129022	DIN Adapter Kit, (2013>)
----	128545	DIN Adapter Kit, (2010-12)
----	129946	DIN ACD Conversion Kit, Core/Titan
----	128142	DIN ACD Conversion Kit (2010-12)
----	128143	Supreme/Dry Kit
1	128634	Retainer Cover
2	128117	Adjustment Screw
3	127568	Washer
4	127567	Spring
5	127565	Spring Pad
6	128113	Spring Retainer
7	119159	Diaphragm
8	127563	Pin Support
9	127564	Pin
10	129254	Body, 2013
	NLA	Pre 2013 Body, w/2-HP Ports
	NLA	Pre 2013 Body, w/1-HP Port
11	127585	Crown

Part numbers in **BOLD ITALICS** indicate standard overhaul replacement part

Calypso Series 2004-Present



NOTE: In 2010, the crown orifice is machined into the body. If you have damage to a body on a pre-2010 model, you will need to replace it with the new body (8) and the new yoke retainer (15). The used removeable crown orifice (11) will then be discarded. The remaining parts are interchangeable with the new body. Please confirm which body style you have before ordering any replacement parts.

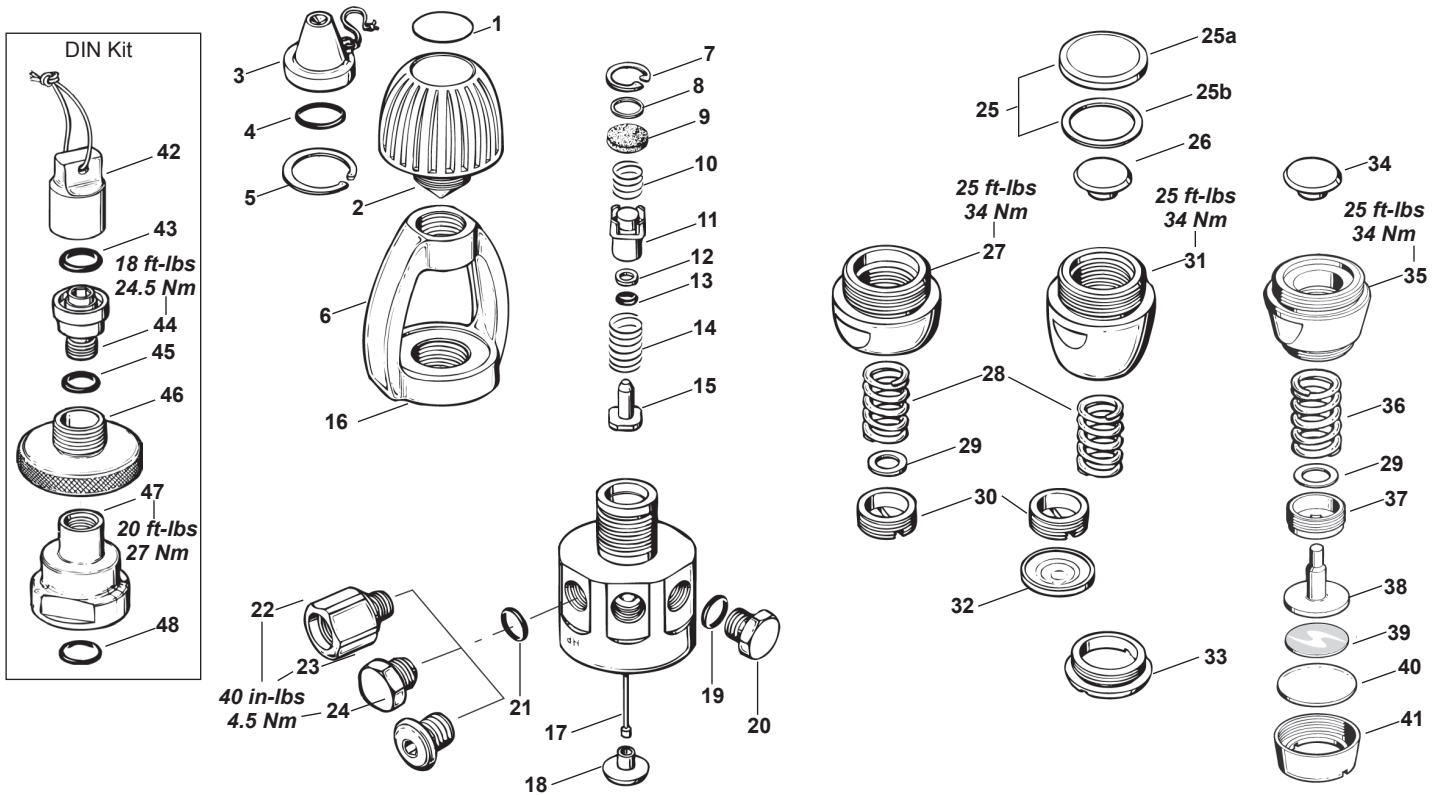
NOTE: In 2007, the Calypso first stage transitioned from a satin finish to bright chrome. The body and the piston cap are no longer available in a satin finish.

Key #	Part #	Description
-----	900015	Overhaul Parts Kit
-----	128705	First Stage, Calypso, Yoke
1----	128657	Decal, Aqua Lung logo, Orange
-----	125713	Decal, Aqua Lung logo
2----	125712	Piston cap, chrome
3----	820062P	O-ring (10 pk)
4----	125717	Piston
5----	820007P	O-ring (20 pk)
6----	106726	HP seat
7----	106771	Spring
8----	128658	Body, 2010 Calypso, chrome
-----	NLA	Pre 2010 Body
9----	820011P	O-ring (25 pk)

Key #	Part #	Description
10----	103133	Plug, MP Port, 3/8 inch
11----	106767	Crown orifice (only used on pre-2010 model)
12----	125710	Yoke washer
13----	129151	Filter
14----	820015P	O-ring (10 pk)
15----	128653	Inlet fitting, 2010 Calypso
-----	NLA	Inlet fitting, pre-2010
16----	106843	Yoke, satin
-----	124611	Yoke, bright Chrome
17----	124555	Dust cap
18----	103137	Plug, HP Port, 7/16 inch
19----	957004P	O-ring (25 pk)
20----	128631	Yoke screw
-----	107508	Yoke screw, green, Nitrox, O ₂

Part numbers in **BOLD ITALICS** are included in the service kit

Conshelf XIV Series 1978-Present (Military Only)



Key #	Part #	Description
-----	900001	Overhaul Parts Kit
-----	107700	First Stage, Conshelf XIV
-----	108810	First Stage, Conshelf XIV Supreme
1----	108185	Decal
2----	107506	Yoke Screw
3----	101012	Dust Cap
4----	820120P	O-ring (10 pk)
5----	861068	Retaining Ring
6----	700418	Yoke
7----	863051	Retaining Ring
8----	124628	Washer, Stainless
9----	105106	Filter
10----	104613	Spring
11----	105324	Balance Chamber
12----	119129	Back-up Ring, Black, Non-Split
-----	828005	Back-up Ring, White, Split, Military Only
13----	820080P	O-ring (25 pk)
14----	101504	Spring
15----	105940	HP Seat
-----	M105320	HP Seat, Military Only
16----	105333	Body, Conshelf XIV, 5-port
17----	105323	Pin
18----	101727	Pin Support
19----	820011P	O-ring (3/8" Port) (25 pk)
20----	910912	Plug, MP Port, 3/8 inch
-----	104304	Plug, MP Port, 3/8 inch
21----	957004P	O-ring (7/16" HP Port) (25 pk)
22----	101785	Adapter, HP, 7/16" Female to 3/8" Male
23----	910912	Plug, HP Port, 3/8 inch, Con XIV, pre-1998
24----	103137	Plug, HP Port, 7/16 inch
25----	103425	Diaphragm, Grey, w/Thrust Washer
25a----	103429	Diaphragm, Black, Military
25b----	821026	Thrust Washer, Military

Key #	Part #	Description
26----	101728	Spring Pad
27----	105326	Spring Retainer
28----	105327	Spring
29----	845097	Washer, Main Spring (non-oil filled only)
30----	101549	Adjustment Screw
Used on Supreme Models		
28----	105944	Spring (Supreme only)
31----	108851	Spring Retainer, Supreme
32----	108853	Secondary Diaphragm, Supreme
33----	108854	Diaphragm Retainer, Supreme
N/S----	108855	Silicone Fluid, 2 oz., Military Only
N/S----	108865	Silicone Fluid, 2 oz.
Used with "Dry" Environmental Kit		
-----	100525	Dry Environmental Kit, Conshelf, Complete
34----	124560	Spring Pad
35----	106317	Spring Retainer
36----	106356	Spring
37----	106026	Adjustment Screw
38----	106319	Piston
39----	106338	Decal
40----	106337	External Diaphragm
41----	106318	Diaphragm Retainer
DIN Kit		
-----	107455	DIN Adapter Kit, Conshelf
42----	107443	Protector Cap, DIN Connector
43----	820094P	O-ring (20 pk)
44----	106056	Handwheel Retainer, Conshelf
45----	820039P	O-ring (10 pk)
46----	108652	Handwheel, Conshelf, 300 BAR
47----	106057	DIN Adapter, Conshelf
48----	824407P	O-ring (25 pk)

Part numbers in **BOLD ITALICS** indicate standard overhaul replacement part

Titan LX Series (ACD)
2009-2014 discontinued



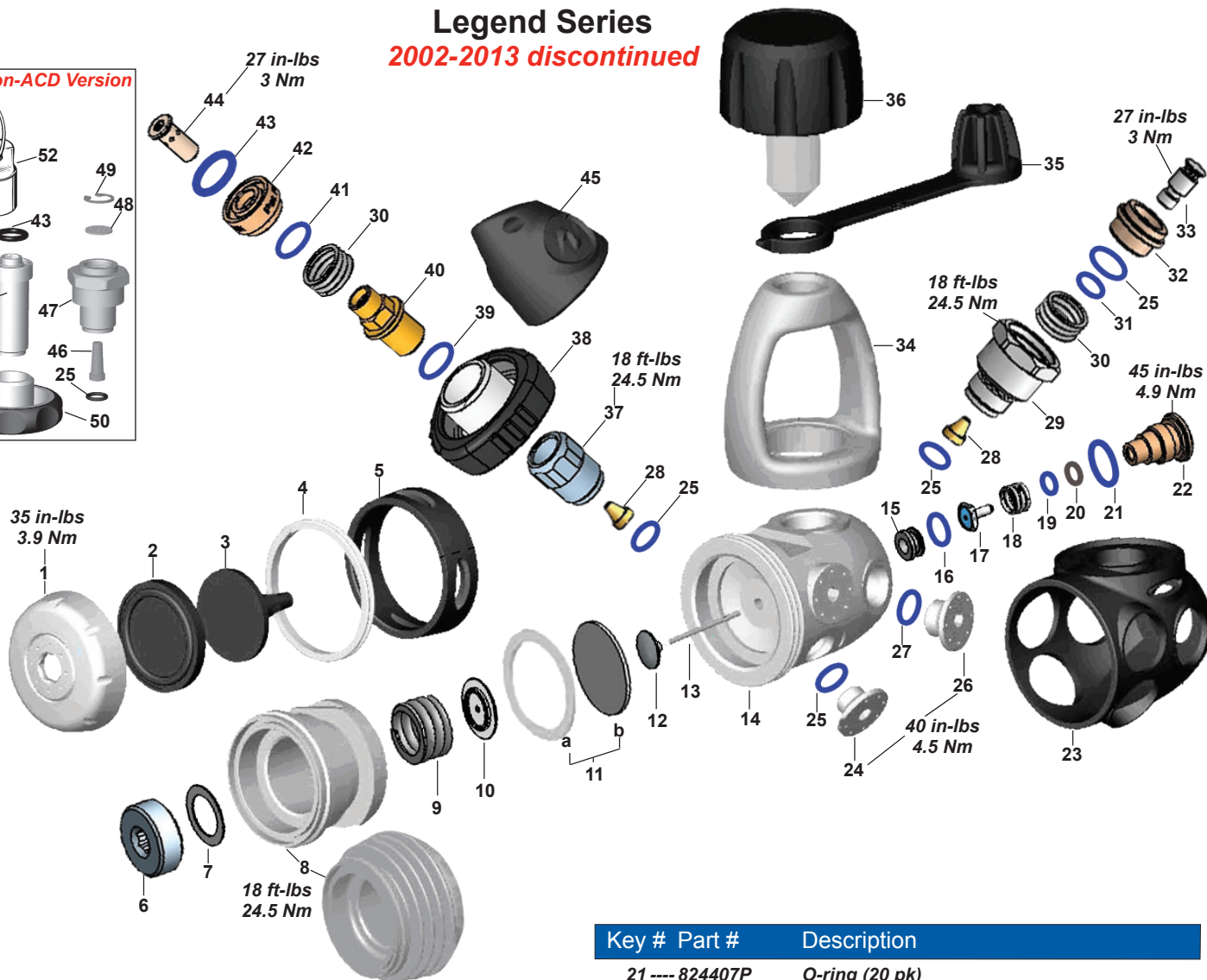
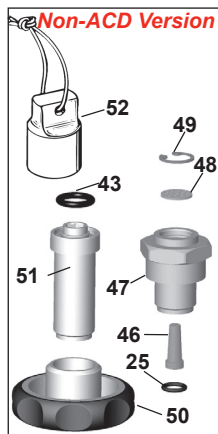
NOTE: In 2013, there was a change to the Titan LX body. If replacing one of the following parts (14, 35, 40, 45) it's very important to refer to Technical Bulletin #38 Jan 1, 2013 for more information.

Key #	Part #	Description
----	900018	Overhaul Parts Kit, (Yoke and DIN)
----	128265	*First Stage, Titan LX Supreme, Yoke
----	129946	DIN Adapter Kit, ACD (2013>)
----	128142	DIN Adapter Kit, ACD (<2012)
----	128143	Supreme/Dry Kit, Titan LX
1----	128123	Diaphragm Retainer
2----	127579	Diaphragm, Secondary
3----	125713	Decal, Aqua Lung Logo
4----	127581	Piston
5----	128122	Retainer Cover, Supreme
----	128121	Retainer Cover
6----	127566	Adjustment Screw, Supreme
----	128117	Adjustment Screw
7----	127568	Washer
8----	127567	Spring
9----	127565	Spring Pad
10----	128115	Diaphragm Clamp, Supreme
----	128113	Diaphragm Clamp
11----	119159	Diaphragm
12----	127563	Pin Support
13----	127564	Pin
14----	129254	Body, 2013
----	NLA	Pre 2013 Body, w/2-HP Ports
----	NLA	Pre 2013 Body, w/1-HP Port
15----	127585	Crown
16----	820038P	O-ring (20 pk)
17----	105940	HP Seat

Key #	Part #	Description
18----	122244	Spring
19----	820080P	O-ring (25 pk)
20----	119129	Back-up Ring
21----	824407P	O-ring (20 pk)
22----	129120	Plug
23----	128111	Protector, Body
----	128124	Protector, Body,(2-HP Ports)
24----	820072P	O-ring (20 pk)
25----	103137	Plug, HP Port, 7/16"
26----	820011P	O-ring (25 pk)
27----	103133	Plug, MP Port, 3/8"
28----	127574	Yoke Screw
29----	124555	Dust Cap
30----	124611	Yoke
31----	129207	Yoke Valve
32----	129205	Yoke Crown
33----	820009P	O-ring (10 pk)
34----	129204	Spring
35----	129242	Yoke Retainer, 2013
----	129212	Yoke Retainer
36----	129209	Filter
37----	129216	DIN ACD Cap
38----	129202	DIN Shutter Valve
39----	820094P	O-ring (20 pk)
40----	129243	DIN Shutter crown, 2013
----	129203	DIN Shutter crown
41----	820322P	O-ring ((10 pk)
42----	129213	DIN Screw
43----	820010P	O-ring (25 pk)
44----	128119	DIN Handwheel
45----	129241	DIN Union, 2013
----	129214	DIN Filter Holder

Part numbers in **BOLD ITALICS** indicate standard overhaul replacement part

Legend Series
2002-2013 discontinued



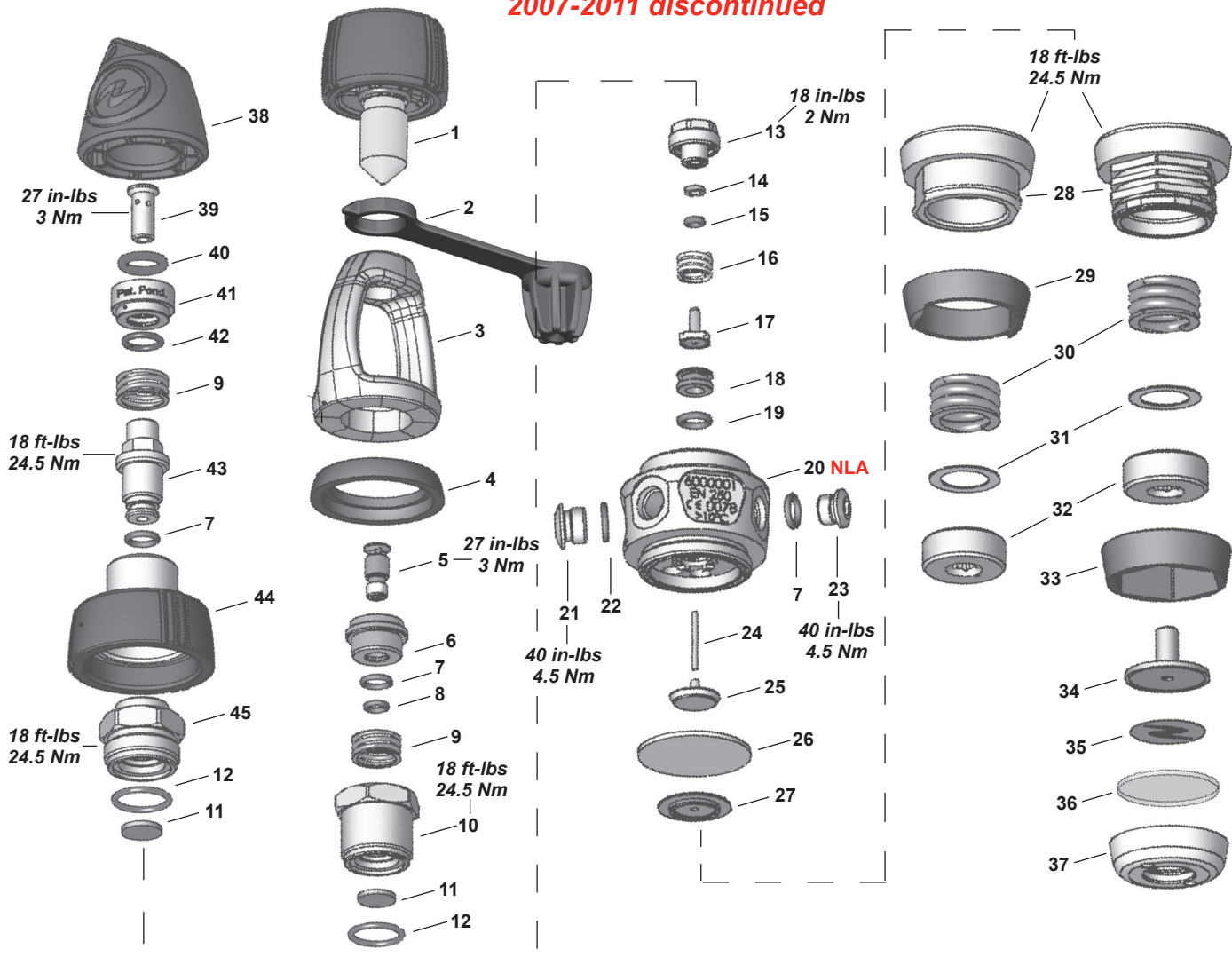
Key # Part # Description

Key #	Part #	Description
-----	900017	Overhaul Parts Kit ACD (Yoke and DIN)
-----	900014	Overhaul Parts Kit non-ACD (Yoke and DIN)
-----	129226	ACD Conversion Kit, Yoke (use original yoke & yoke screw)
-----	129227	ACD Conversion Kit, DIN
1 ----	129196	Cap, Chrome
-----	129349	Cap, Glacia
2 ----	129126	Diaphragm, Secondary
3 ----	129123	Piston
4 ----	129127	Ribbed Washer, Legend/Leg Supreme
5 ----	129128	Spacer, Legend/Leg Supreme
6 ----	106026	Adjustment Screw
7 ----	845097	Washer
8 ----	129122	Diaphragm Clamp
-----	129341	Diaphragm Clamp, Glacia
9 ----	106356	Main Spring
10 ----	124560	Spring Pad
11 ----	103425	Diaphragm Kit (includes 19a & 19b)
12 ----	129121	Pin Support
13 ----	102002	Pin
14 ----	129111	Body
15 ----	127585	Crown
16 ----	820038P	O-ring (20 pk)
17 ----	105940	HP Seat
18 ----	122244	Spring
19 ----	820080P	O-ring (25 pk)
20 ----	119129	Backup ring

21 ----	824407P	O-ring (20 pk)
22 ----	129120	HP Plug
23 ----	129112	Protective Cover
24 ----	129119	Plug, MP Port, 3/8 inch
25 ----	820011P	O-ring (25 pk)
26 ----	129118	Plug, HP Port, 7/16 inch
27 ----	820072P	O-ring, HP Port, (20-pk)
28 ----	129209	Filter, ACD
29 ----	129212	Yoke Retainer, ACD
30 ----	129204	Spring, ACD
31 ----	820009P	O-ring (10 pk)
32 ----	129205	Yoke Crown, ACD
33 ----	129207	Yoke Valve, ACD
34 ----	124611	Yoke, Chrome
35 ----	124555	Dust Cap
36 ----	128631	Yoke Screw
37 ----	129214	DIN Filter Holder
38 ----	128119	DIN Handwheel, ACD
39 ----	820010P	O-ring (25 pk)
40 ----	129213	DIN Screw, ACD
41 ----	820322P	O-ring (10 pk)
42 ----	129203	DIN Shutter Crown, ACD
43 ----	820094P	O-ring (20 pk)
44 ----	129202	DIN Shutter Valve, ACD
45 ----	129216	DIN Cap, ACD
46 ----	129151	Filter (non-ACD)
47 ----	129124	Inlet Fitting (non-ACD)
48 ----	129149	Shield (non-ACD)
49 ----	863051	C-Clip (non-ACD)
50 ----	129117	DIN Handwheel (non-ACD)
51 ----	129125	DIN Fitting (non-ACD)
52 ----	107443	DIN Cap (non-ACD)

Part numbers in **BOLD ITALICS** indicate standard overhaul replacement part

Kronos Series 2007-2011 discontinued



Key #	Part #	Description
-------	--------	-------------

-----	900018	Overhaul Parts Kit (Yoke and DIN)
1----	127574	Yoke Screw
2----	124555	Dust Cap
3----	106843	Yoke
4----	127575	Yoke Ring
5----	129207	Yoke Valve
6----	129205	Yoke Crown
7----	820011P	O-ring (25 pk)
8----	820009P	O-ring (10 pk)
9----	129204	Spring
10----	127576	Yoke Retainer
11----	105106	Filter
12----	820016P	O-ring (10 pk)
13----	127562	Balance Chamber
14----	119129	Back-up Ring
15----	820080P	O-ring (25 PK)
16----	122244	Spring
17----	105940	HP Seat
18----	127585	Crown
19----	820038P	O-ring (20 pk)
20----	NLA	Body, Kronos
----	NLA	Body, Kronos Supreme
21----	103137	Plug, HP Port, 7/16 inch
22----	820072P	O-ring (20 pk)

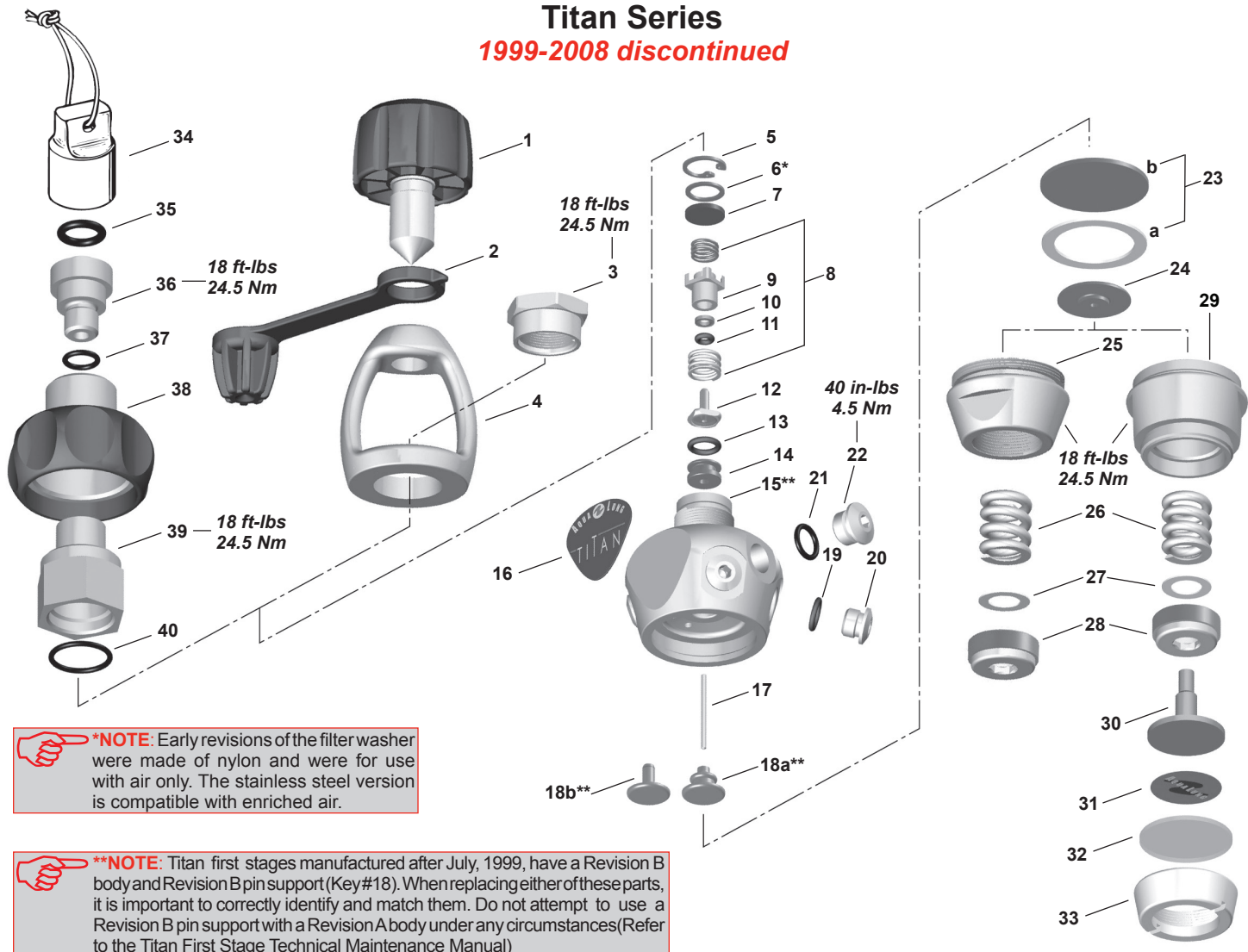
Key #	Part #	Description
-------	--------	-------------

23----	103133	Plug, MP Port, 3/8 inch
24----	127564	Pin
25----	127563	Pin Support
26----	119159	Diaphragm
27----	127565	Spring Pad
28----	127583	Spring Retainer
----	127577	Spring Retainer, Dry
29----	127586	Washer, Std Retainer
30----	127567	Spring
31----	127568	Washer
32----	127566	Adjustment Screw
33----	127587	Washer, Dry Retainer
34----	127581	Piston
35----	125713	Decal, Aqua Lung Logo
36----	127579	Diaphragm, Secondary
37----	127582	Diaphragm Retainer
38----	129216	DIN ACD Cap
39----	129202	DIN Shutter Valve
40----	820094P	O-ring (20 pk)
41----	129203	DIN Shutter Crown
42----	820322P	O-ring (10 pk)
43----	127573	DIN Screw
44----	127571	DIN Handwheel
45----	127572	Filter Holder

Part numbers in **BOLD ITALICS** indicate standard overhaul replacement part

Titan Series

1999-2008 discontinued



***NOTE:** Early revisions of the filter washer were made of nylon and were for use with air only. The stainless steel version is compatible with enriched air.

****NOTE:** Titan first stages manufactured after July, 1999, have a Revision B body and Revision B pin support (Key#18). When replacing either of these parts, it is important to correctly identify and match them. Do not attempt to use a Revision B pin support with a Revision A body under any circumstances (Refer to the Titan First Stage Technical Maintenance Manual)

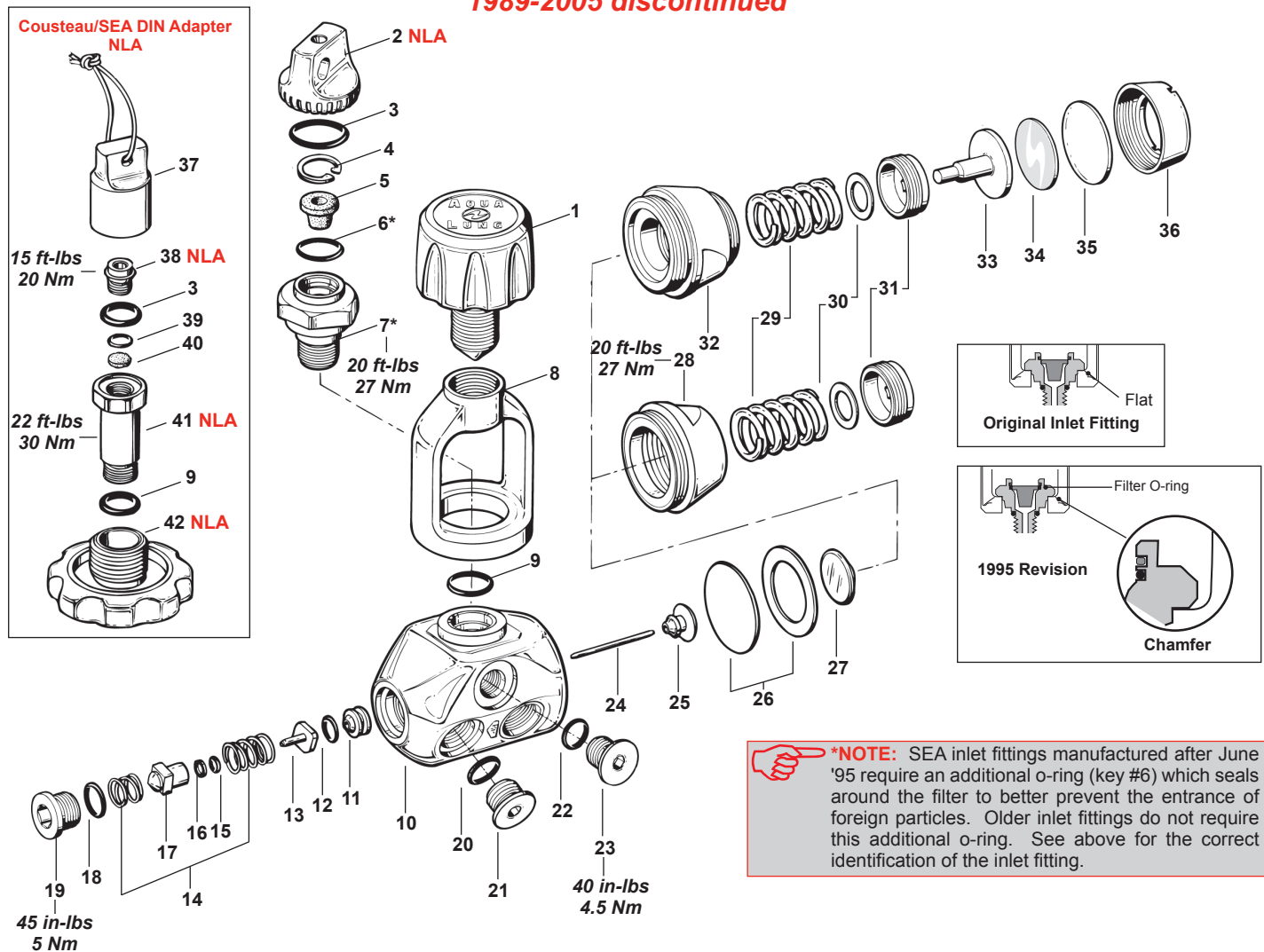
Key #	Part #	Description
-----	900001	Overhaul Parts Kit
1----	128631	Yoke Screw
2----	124555	Dust Cap
3----	103162	Yoke Retainer
4----	106843	Yoke
5----	863051	Circlip
6----	124628	Washer, Stainless (see *NOTE)
7----	105106	Filter
8----	101509	Spring Kit (includes both springs)
9----	105324	Balance Chamber
10----	119129	Backup Chamber
11----	820080P	O-ring (25 pk)
12----	105940	HP Seat
13----	820038P	O-ring (20 pk)
14----	127585	Crown
15----	103101	Body, Rev. B (see **NOTE)
16----	103182	Decal, Titan
17----	102002	Pin
18a---	106022	Pin Support, Rev. A (see **NOTE)
18b---	101569	Pin Support Rev. B (see **NOTE)
19----	957004P	O-ring (7/16" HP Port) (25 pk)
20----	103137	Plug, HP Port, 7/16 inch
21----	820011P	O-ring (3/8" Port) (25 pk)
22----	103133	Plug, MP Port, 3/8 inch

Key #	Part #	Description
23----	103425	Diaphragm Kit (includes 23a & 23b)
24----	124560	Spring Pad
25----	103104	Spring Retainer
26----	106356	Spring
27----	845097	Washer
28----	106026	Adjustment Screw
Used with "Dry" Environmental Kit		
-----	100525	Dry Environmental Kit, Complete
29----	106317	Spring Retainer
30----	106319	Piston
31----	106338	Decal
32----	106337	Diaphragm, External
33----	106318	Diaphragm Retainer
Titan DIN Adapter		
-----	103172	DIN Adapter Kit, Titan
34----	107443	Protector Cap, DIN Connector
35----	820094P	O-ring (20 pk)
36----	106056	Handwheel Retainer
37----	820072P	O-ring (20 pk)
38----	103176	Handwheel
39----	103174	DIN Adapter
40----	820017P	O-ring (10 pk)

Part numbers in **BOLD ITALICS** indicate standard overhaul replacement part

Cousteau • SEA

1989-2005 discontinued



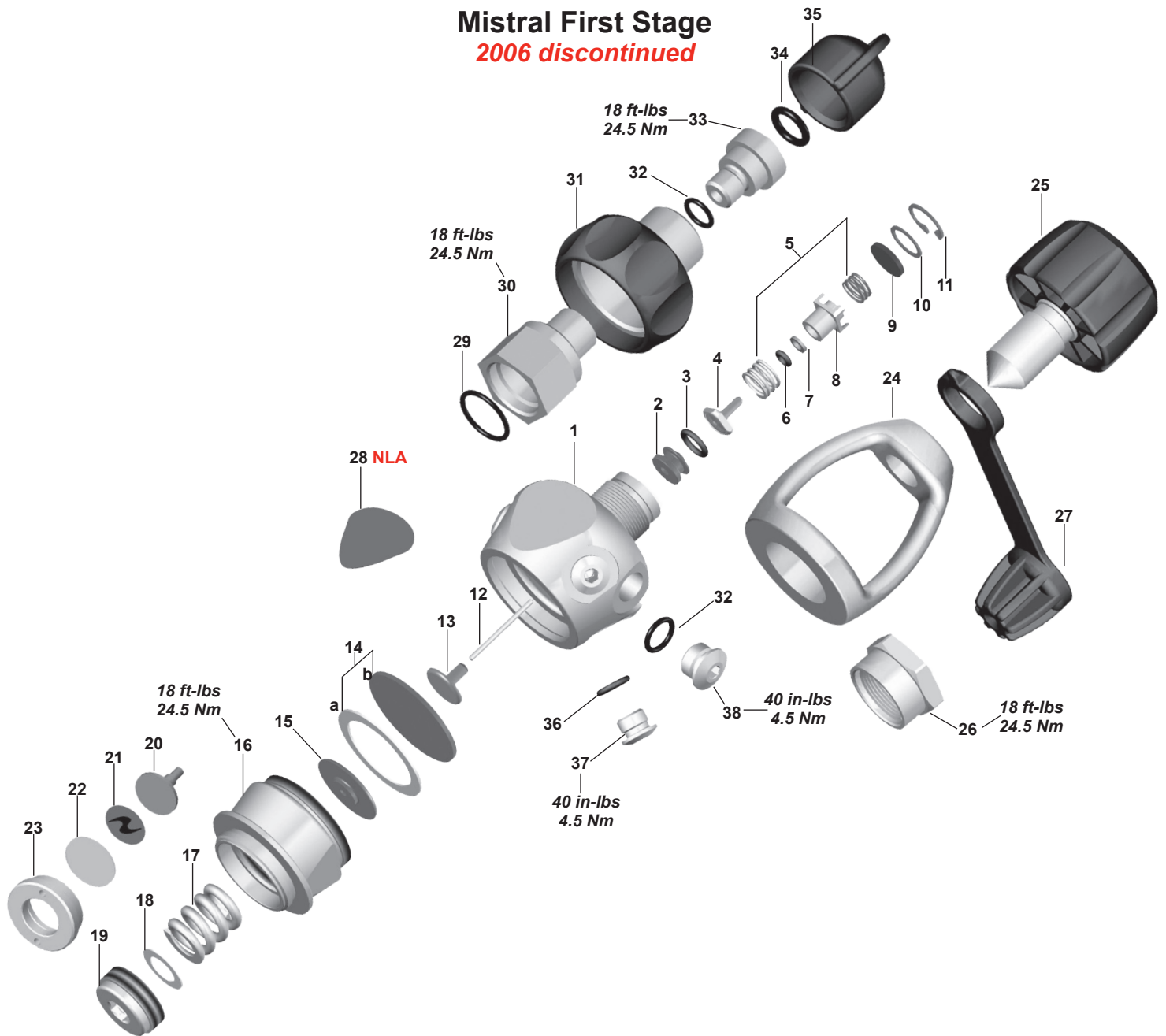
***NOTE:** SEA inlet fittings manufactured after June '95 require an additional o-ring (key #6) which seals around the filter to better prevent the entrance of foreign particles. Older inlet fittings do not require this additional o-ring. See above for the correct identification of the inlet fitting.

Key #	Part #	Description	Key #	Part #	Description
-----	900000	Overhaul Parts Kit	21	106303	Plug, HP Port, 7/16 inch
-----	100525	Dry Environmental Kit, Complete	22	820011P	O-ring (25 pk)
1	128631	Yoke Screw	23	106304	Plug, MP Port, 3/8 inch
2	NLA	Dust Cap	24	106323	Pin
3	820094P	O-ring (20 pk)	25	106022	Pin Support
4	863051	Circlip	26	103425	Diaphragm w/ Thrust Washer
5	106839	Filter	27	124560	Spring Pad
6	820014P	O-ring (25 pk)	28	106324	Spring Retainer
7	106339	Inlet Fitting	29	106356	Spring
8	124611	Yoke	30	845097	Washer
9	820013P	O-ring (10 pk)	31	106026	Adjustment Screw
10	106322	Body	32	106317	Spring Retainer, Dry
11	127585	Crown	33	106319	Piston
12	820038P	O-ring (20 pk)	34	106338	Decal
13	105940	HP Seat	35	106337	External Diaphragm
14	101509	Spring Kit (includes both springs)	36	106318	Diaphragm Retainer
15	820080P	O-ring (25 pk)	37	107443	Protector Cap, DIN Connector
16	119129	Backup Ring	38	NLA	Filter Retainer
17	101565	Balance Chamber	39	820010P	O-ring (pre-1999 models only) (25 pk)
18	824407P	O-ring (20 pk)	40	106326	Filter
19	106327	End Plug	41	NLA	Inlet Fitting
20	957004P	O-ring (25 pk)	42	NLA	Handwheel

Part numbers in **BOLD ITALICS** indicate standard overhaul replacement part

Mistral First Stage

2006 discontinued



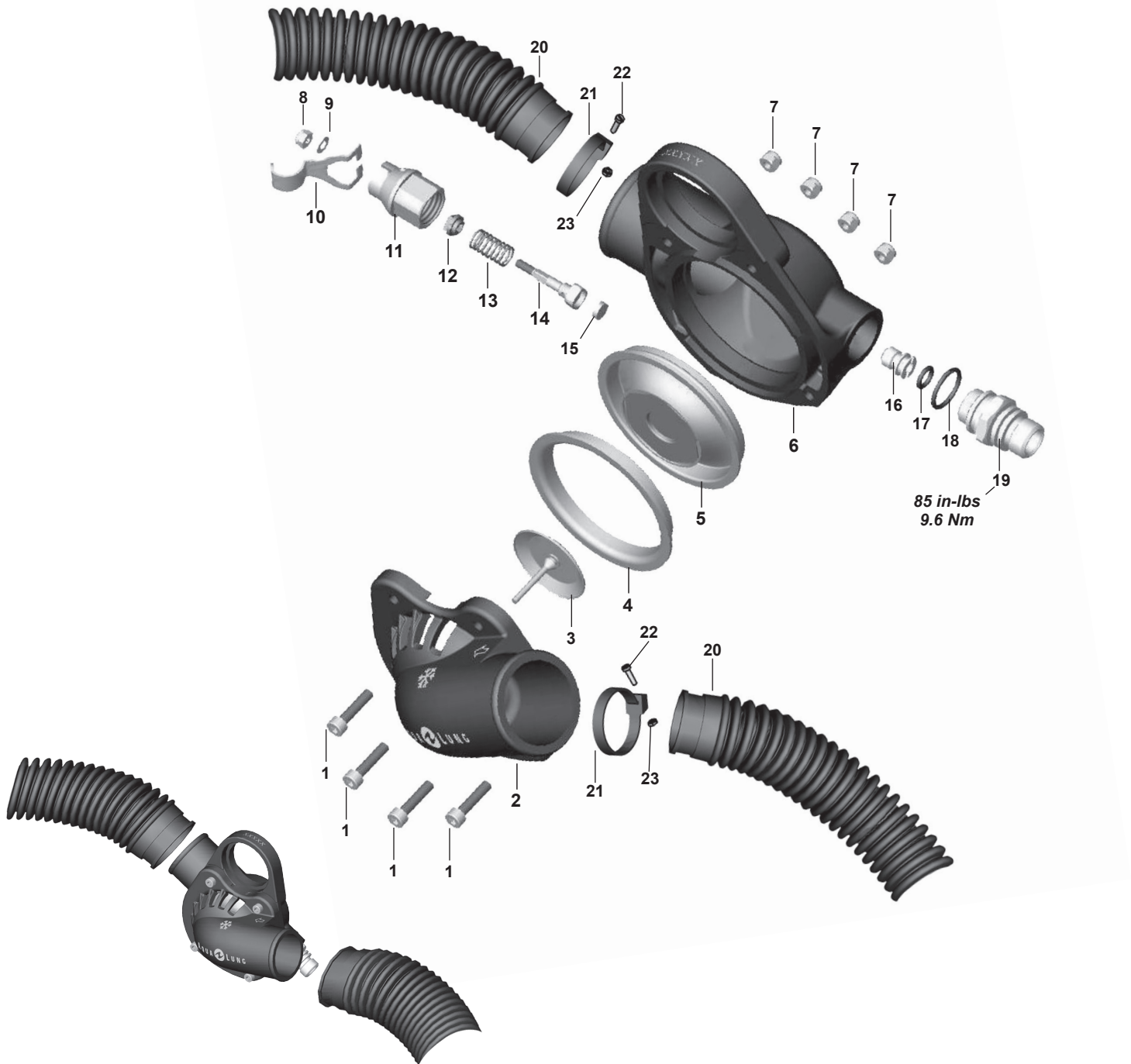
Key #	Part #	Description
-----	900016	Overhaul Parts Kit, Entire Mistral
1-----	103101	Body
2-----	127585	Crown
3-----	820038P	O-ring (20 pk)
4-----	105940	HP Seat
5-----	101509	Spring Kit (includes both springs)
6-----	820080P	O-ring (25 pk)
7-----	119129	Backup Ring
8-----	105324	Spring Block
9-----	105106	Filter
10-----	124628	Filter Washer
11-----	863051	Circlip
12-----	102002	Pin
13-----	101569	Pin Support
14-----	103425	Diaphragm Kit (includes 14a & 14b)
15-----	124560	Spring Pad
16-----	125923	Spring Retainer
17-----	106356	Spring
18-----	845097	Washer

Key #	Part #	Description
19-----	106026	Adjustment Screw
20-----	106319	Piston
21-----	125713	Aqua Lung Logo Decal
22-----	106337	Diaphragm
23-----	125924	Diaphragm Retainer
24-----	106843	Yoke
25-----	128631	Yoke Screw
26-----	103162	Yoke Retainer
27-----	124555	Dust Cap
28-----	NLA	Mistral Decal
29-----	820017P	O-ring (10 pk)
30-----	103174	DIN Adapter
31-----	103176	Handwheel
32-----	820072P	O-ring (20 pk)
33-----	106056	Handwheel Retainer
34-----	820094P	O-ring (20 pk)
35-----	107443	DIN Cap
36-----	820011P	O-ring (25 pk)
37-----	103133	Plug, MP Port, 3/8"
38-----	103137	Plug, HP Port, 7/16"

Part numbers in **BOLD ITALICS** are included in the service kit

Mistral Second Stage

2006 discontinued

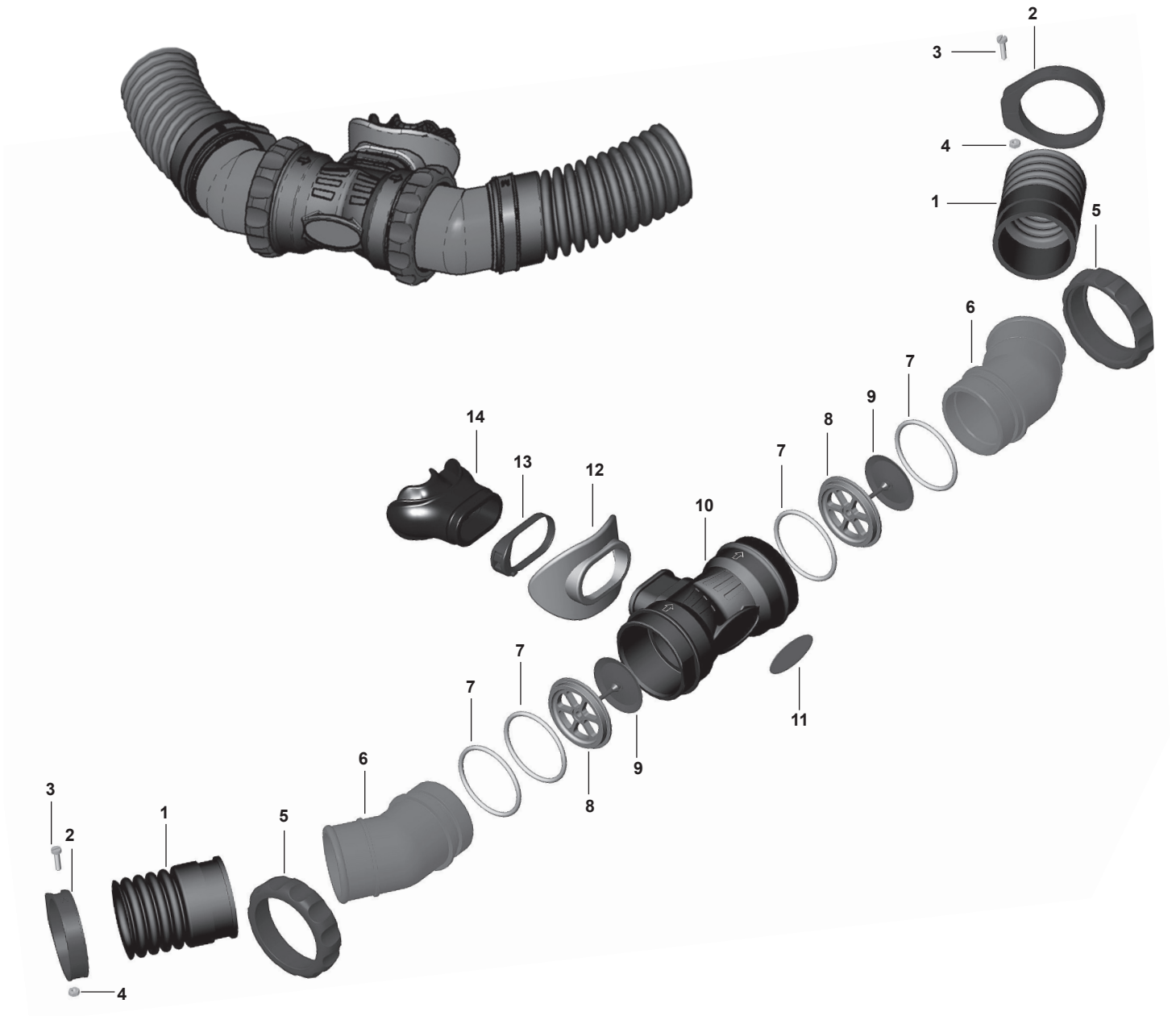


Key #	Part #	Description	Key #	Part #	Description
-----	900016	Overhaul Parts Kit, Entire Mistral	13	104127	Spring
1	125929	Screw, caphead (1-ea)	14	104122	Poppet
2	125935	Exhalation box	15	106738	MP seat
3	129174	Exhaust valve	16	100128	Crown orifice
4	124509	Sealing ring	17	820010P	O-ring (25 pk)
5	125705	Diaphragm	18	820015P	O-ring (10 pk)
6	125937	Inhalation box	19	104106	Inlet fitting
7	125928	Locknut (1-ea)	20	125930	Corrugated hose
8	102510	Locknut	21	125958	Clamping band "R"
9	104129	Washer	22	125975	Screw
10	125708	Lever	23	125976	Nut
11	125931	Valve insert	N/S	125932	Mistral MP hose (630 mm)
12	104134	Poppet bearing	-----	125934	Mistral MP hose (245 mm)

Part numbers in **BOLD ITALICS** are included in the service kit

Mistral Mouthpiece

2006 discontinued



Key #	Part #	Description
-----	900016	Overhaul Parts Kit, Entire Mistral
1----	125930	Corrugated hose
2----	125939	Clamping band "M"
3----	125975	Screw
4----	125976	Nut
5----	125914	Connector ring
6----	125979	Connector, angled
7----	125915	O-ring
8----	125912	Mouthpiece valve support
9----	125925	Inhale-Exhale valve
10----	125918	Mouthpiece body
11----	125916	Mouthpiece decal
12----	109512	Lip shield
13----	129154	Mouthpiece clamp
14----	109438	Comfobite mouthpiece

Part numbers in **BOLD ITALICS** are included in the service kit

Legend LX Series 2012-Present



Key #	Part #	Description	Key #	Part #	Description
----	900022	Overhaul Parts Kit	16 ----	820010P	O-ring (25 pk)
----	129655	Legend LX, Second Stage Only	17	AP2033	Crown
----	129675	Legend LX Supreme, Second Stage Only	18 ----	AP1438P	O-ring (10 pk)
1	129676	Front Cover w/Locker, LX	19	129626	Valve Spindle, Comolmed
---	129818	Front Cover w/Locker, LX, Twilight	20	129644	Venturi
---	129777	Front Cover w/Locker, LUX, Pnk/Gold	21	129637	Venturi Key
2	129684	Purge Cover, Black	22 ----	129638	MP Seat, Silicone
3	129656	Diaphragm Washer	23	AP2036	Shuttle Valve
4	129657	Diaphragm	24 ----	AP2041P	O-ring (10 pk)
5	129672	Case, LX, Coated	25	AP2021	Spring
----	129678	Case, LX Supreme, Coated	26	129784	Counter-balance Chamber
6	129154	Mouthpiece Clamp	27	129178	Lever
7	109438	Mouthpiece, ComfoBite	28 ----	820306	O-ring
---	104138	Mouthpiece, Standard	29	129632	Adjusting Screw
8	109512	Lip Shield, Supreme Model	30 ----	820014P	O-ring (25 pk)
9	129732	Exhaust Cover, Coated	31	129628	Cam
10	129642	Exhaust Valve, non-Supreme models	32	129634	Adjusting Knob
----	129174	Exhaust Valve, Supreme models	33	129633	Plug, LX, Chrome
11	129648	Baffle	----	129723	Plug, LUX, Pnk/Gold
12	129617	Decal, Legend	----	129749	Plug, LX Supreme, Satin
13	129631	Heat Exchanger, LX, Chrome	34	129807	MP Hose, Braided, 3/8"x 29", w/Protectors (2)
----	129726	Heat Exchanger, LUX, Pnk/Gold	35	129636	Hose Sleeve
----	129748	Heat Exchanger, LX Supreme, Satin	36 ----	820011P	O-ring (25 pk)
14	129652	Spacer	37 ----	128624	Service Date Sleeve
15 ----	820015P	O-ring (10 pk)	38	127859	Hose Protector, Black (for Braided hose)

Part numbers in **BOLD ITALICS** indicate standard overhaul replacement part

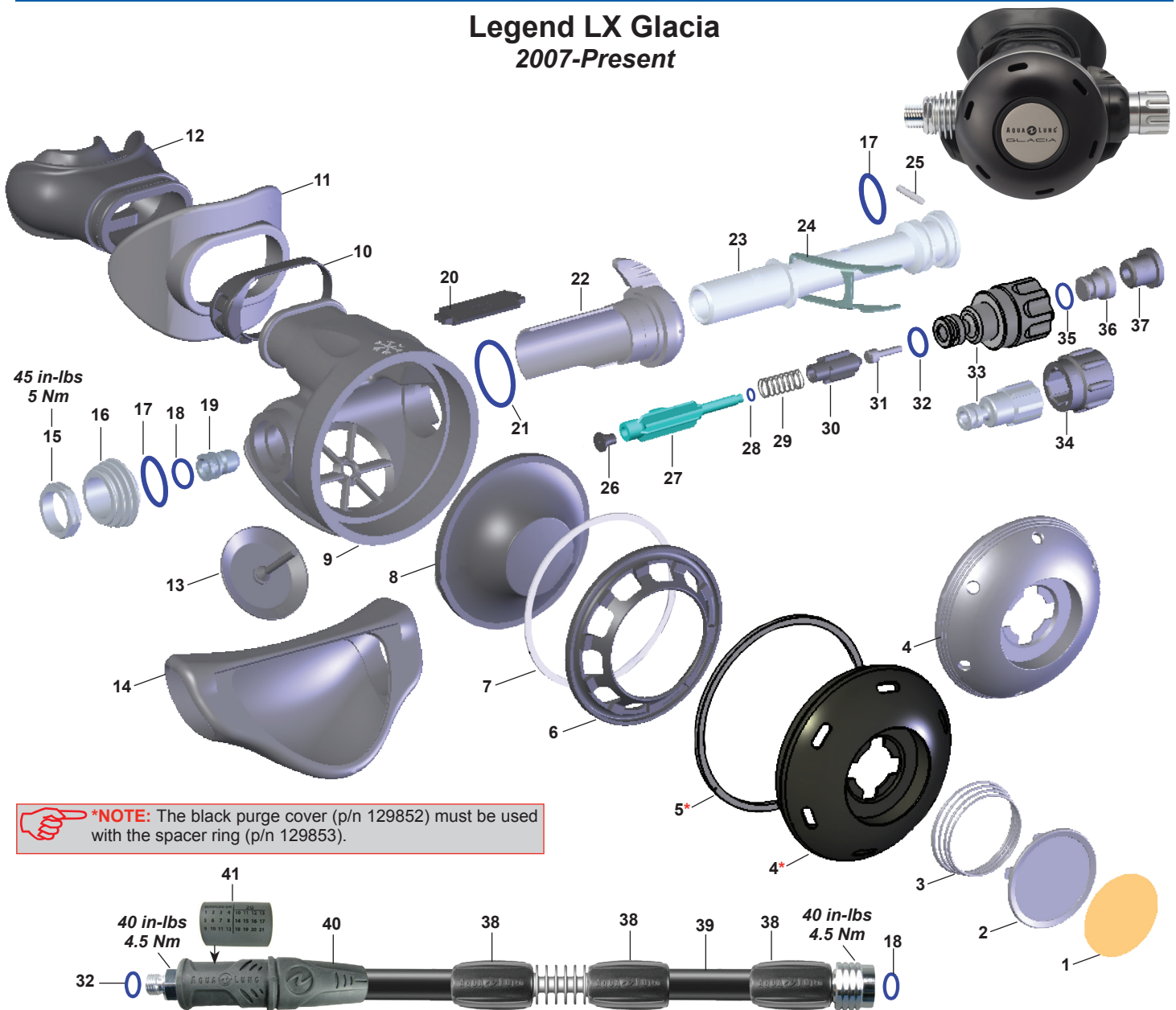
Legend Series
2012-Present



Key #	Part #	Description	Key #	Part #	Description
----	900022	Overhaul Parts Kit	14	129652	Spacer
----	129625	Legend, Second Stage Only	15	820015P	O-ring (10 pk)
----	129665	Legend Supreme, Second Stage Only	16	820010P	O-ring (25 pk)
1	129658	Front Cover w/Locker, Black	17	AP2033	Crown
2	129684	Purge Cover, Black	18	AP1438P	O-ring (10 pk)
----	129686	Purge Cover, Octopus, Yellow	19	129661	Venturi Lever
3	129656	Diaphragm Washer	----	129663	Venturi Lever, Octopus, Yellow
4	129657	Diaphragm	20	129146	Valve Body
5	129669	Case, Legend	21	AP1151	Pin
----	129677	Case, Legend Supreme, Octopus	22	129178	Lever
6	129154	Mouthpiece Clamp	23	129638	MP Seat
7	109438	Mouthpiece, ComfoBite	24	AP2036	Shuttle Valve
----	104138	Mouthpiece, Standard, Octopus	25	AP2041P	O-ring (10 pk)
8	109512	Lip Shield, Supreme Model	26	AP2021	Spring
9	129731	Exhaust Cover	27	129784	Counter-balance Chamber
10	129642	Exhaust Valve, Legend models	28	820011P	O-ring (25 pk)
----	129174	Exhaust Valve, Supreme, Octopus	29	129162	Adjustment Screw
11	129648	Baffle, Legend, Legend Supreme	30	129662	Plug
----	129184	Baffle, Octopus	31	128624	Service Date Sleeve
12	129617	Decal, Legend	32	127859	Hose Protector, Black (for Braided hose)
13	129631	Heat Exchanger, Legend, Chrome	33	129807	MP Hose, Braided, 3/8"x 29", Blk, w/Protectors (2)
----	129748	Heat Exchanger, Supreme, Octopus, Satin	----	129681	MP Hose, Braided, 3/8"x 39", Yellow, w/Protectors (2)
			34	129636	Hose Sleeve

Part numbers in **BOLD ITALICS** indicate standard overhaul replacement part

Legend LX Glacia 2007-Present



***NOTE:** The black purge cover (p/n 129852) must be used with the spacer ring (p/n 129853).

Key #	Part #	Description
-------	--------	-------------

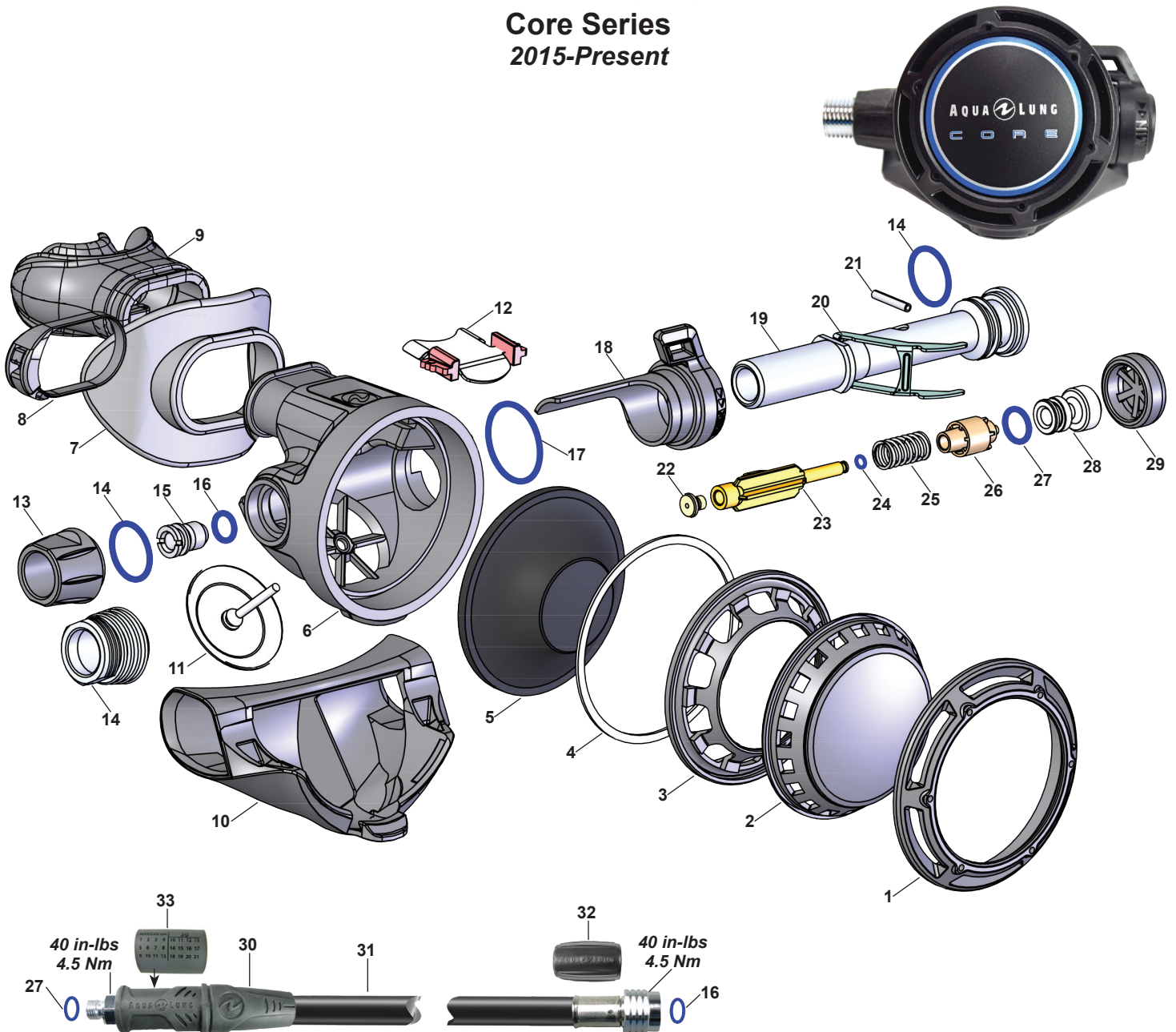
----	900012	Overhaul Parts Kit
----	129885	Legend LX Glacia, Second Stage
1----	129854	Decal, Purge Button, (2014)
----	129282	Decal, Purge Button
2----	AP5805	Purge Button
3----	AP2020	Purge Spring
4----	129852	Purge Cover, Black (2014)
----	129281	Purge Cover, Dark Silver
5----	129853	Spacer Ring, Aluminum (for Black Cover only)
6----	129195	Diaphragm Retainer
7----	129133	Thrust Washer
8----	129150	Diaphragm
9----	129188	Case, Supreme
10----	129154	Mouthpiece Clamp
11----	109512	Lip Shield
12----	109438	Mouthpiece, ComfoBite
13----	129174	Exhaust Valve
14----	104102	Exhaust Tee
15----	AP2031	Retaining Nut
16----	129148	Heat Exchanger
17----	820015P	O-ring (10 pk)
18----	820010P	O-ring (25 pk)
19----	AP2033	Crown

Key #	Part #	Description
-------	--------	-------------

20----	129184	Baffle
21----	AP1438P	O-ring (10 pk)
22----	129139	Venturi Lever
23----	129146	Valve Body
24----	129178	Lever
25----	AP1151	Pin
26----	129638	MP Seat, Silicone
27----	AP2036	Shuttle Valve
28----	AP2041P	O-ring (10 pk)
29----	AP2021	Spring
30----	AP2038SQ	Counter-balance Chamber
31----	129129	Adjustment Pin
32----	820011P	O-ring (25 pk)
33----	129856	Adjusting Knob, Metallic (2014)
----	129147	Adjusting Knob
34----	129130	Grip
35----	820009P	O-ring (10 pk)
36----	129135	Adjusting Screw
37----	129143	Plug, (2014) must be used w/metallic adjusting knob
----	129142	Plug
38----	129160	Hose Sleeve
39----	129343	MP Hose w/Heat X, 3/8"x 30"
40----	124570	Hose Protector, Black
41----	128624	Service Date Sleeve

Part numbers in **BOLD ITALICS** indicate standard overhaul replacement part

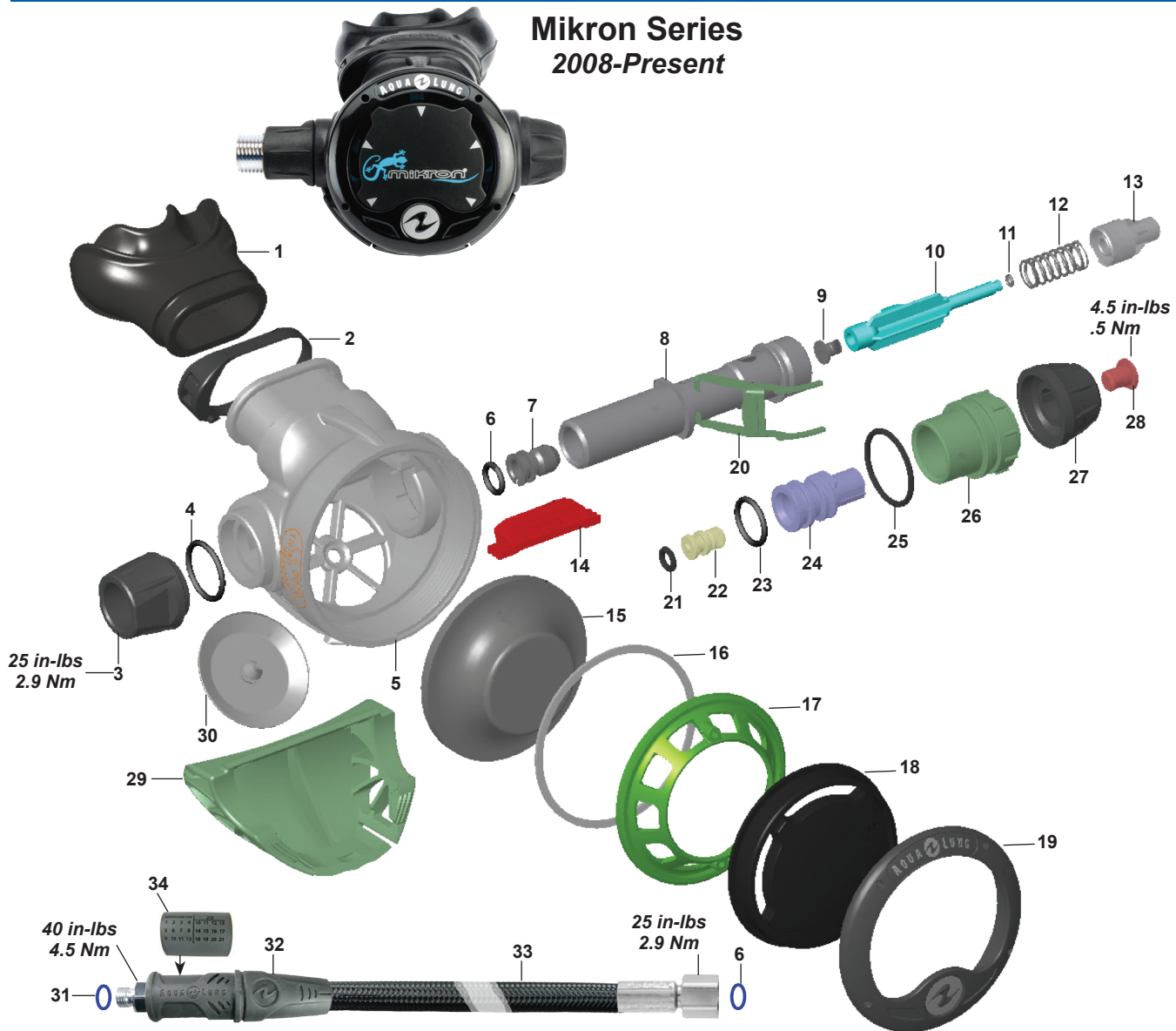
**Core Series
2015-Present**



Key #	Part #	Description	Key #	Part #	Description
-----	900012	Overhaul Parts Kit	15	AP2033	Crown
-----	129955	Core Supreme, Second Stage Only	16	820010P	O-ring (25 pk)
1	129913	Purge Retainer	17	AP1438P	O-ring (10 pk)
2	129912	Purge Cover, Core	18	129909	Venturi Lever
-----	129918	Purge Cover, Core Supreme	19	129146	Valve Body
-----	129917	Purge Cover, Core Octo, Yellow	20	129178	Lever
3	129195	Diaphragm Retainer	21	AP1151	Pin
4	129133	Thrust Washer	22	129638	MP Seat, Silicone
5	129150	Diaphragm	23	AP2036	Shuttle Valve
6	129907	Case, Core	24	AP2041P	O-ring (10 pk)
7	109512	Lip Shield, Core Supreme	25	AP2021	Spring
8	129154	Mouthpiece Clamp	26	129784	Counter-balance Chamber
9	109438	Mouthpiece, ComfoBite	27	820011P	O-ring (25 pk)
-----	104138	Mouthpiece, Standard	28	129162	Adjustment Screw
10	129908	Exhaust Tee	29	129911	Plug
11	129174	Exhaust Valve	30	124570	Hose Protector, Black
12	129648	Baffle	31	APF124563	MP Hose, 3/8" x 30", w/Protector
13	127818	Retaining Nut	-----	APF124566	MP Hose, 3/8" x 39", Yellow, w/ Protector
-----	129914	Heat Exchanger, Core Supreme	32	129160	Hose Sleeve
14	820015P	O-ring (10 pk)	33	128624	Service Date Sleeve

Part numbers in **BOLD ITALICS** indicate standard overhaul replacement part

Mikron Series 2008-Present



Key #	Part #	Description
-------	--------	-------------

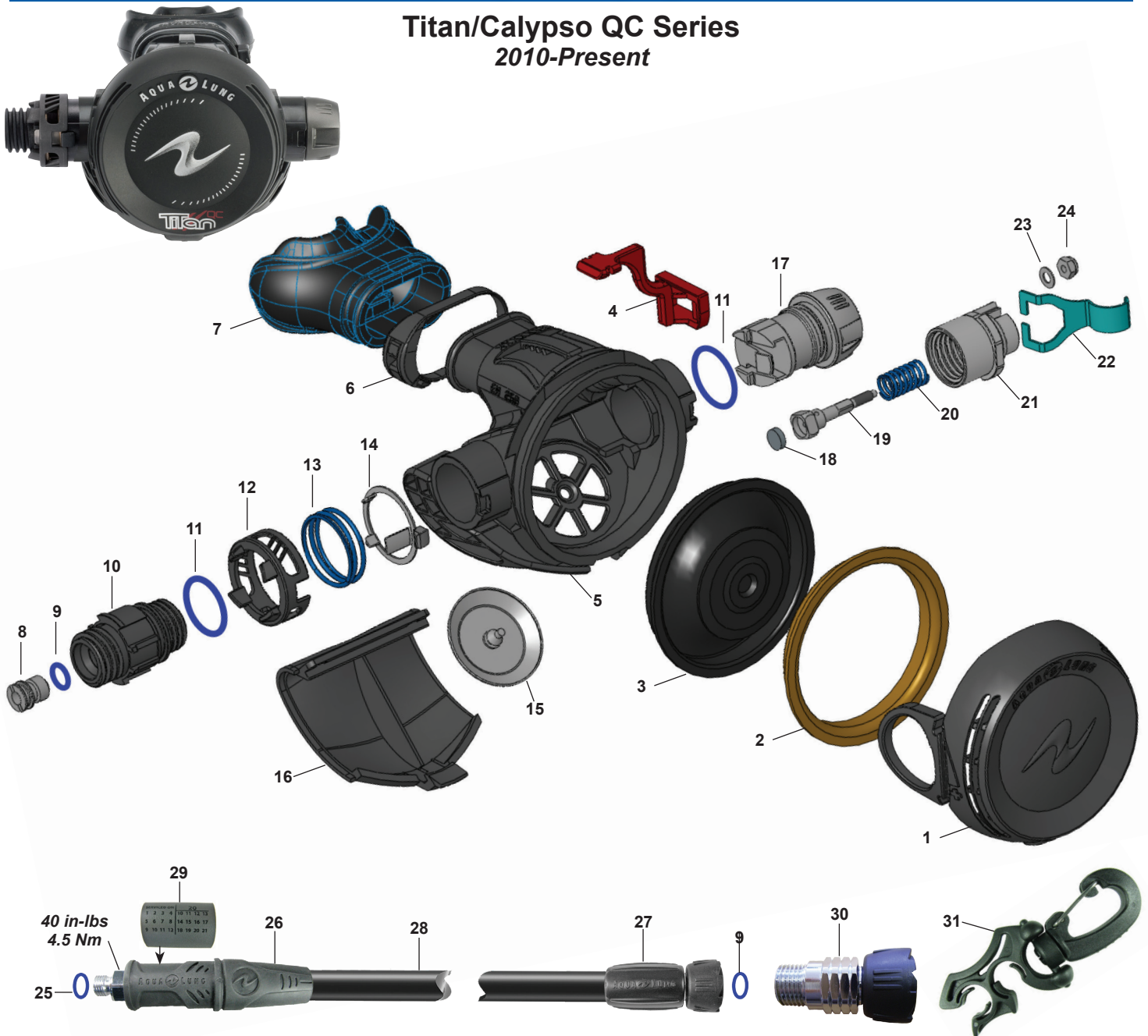
-----	900012	Overhaul Parts Kit
-----	127965	Mikron, Second Stage, Blk/Blue
-----	127835A	Mikron, Second Stage, Blk/Pnk
1----	109438	Mouthpiece, Comfobite
-----	127826	Mouthpiece, Comfobite, Small
-----	104138	Mouthpiece, Standard
-----	129154	Mouthpiece Clamp
3----	127818	Insert Screw
4----	820015P	O-ring (10 pk)
5----	127842	Case, Mikron
6----	820010P	O-ring (25 pk)
7----	AP2033	Crown
8----	127817	Valve Body
9----	129638	MP Seat, Silicone
10----	AP2036	Shuttle Valve
11----	AP2041P	O-ring (10 pk)
12----	AP2021	Spring
13----	127607	Counter-balance Chamber
14----	127827	Baffle
15----	127816	Diaphragm
16----	127815	Washer, Diaphragm
17----	127814	Retainer, Diaphragm, Black
-----	127887	Retainer, Diaphragm, Blue
-----	127832	Retainer, Diaphragm, Red

Key #	Part #	Description
-------	--------	-------------

18----	127889	Purge Cover, Mikron, Black/Blue
-----	127871	Purge Cover, Mikron, Black/Green
-----	127836	Purge Cover, Mikron, Black/Red
-----	127881	Purge Cover, Mikron, Black/Pink
-----	127838	Purge Cover, Mikron, Vanilla
-----	127848	Purge Cover, Mikron, Yellow
19----	127843	Retaining Ring, Mikron
20----	127828	Lever
21----	820007P	O-ring (20 pk)
22----	127823	Adjustment Screw
23----	820013P	O-ring (10 pk)
24----	127822	Cam, Mikron
25----	820018P	O-ring (20 pk)
26----	127819	Screw, Valve Body
27----	127821	Adjusting Knob
28----	127877	Plug, Mikron, Silver
-----	127868	Plug, Mikron, Green
-----	127824	Plug, Mikron, Red
-----	127833	Plug, Mikron, Vanilla
-----	127846	Plug, Mikron, Yellow
29----	127825	Exhaust Tee
30----	129174	Exhaust Valve
31----	820011P	O-ring (25 pk)
32----	127859	Hose Protector, Black (for Braided hose)
33----	129861	MP Hose, Aquaflex 3/8" x 30" Black w/Protector
-----	129862	MP Hose, Aquaflex 3/8" x 39" Yellow w/Protector
34----	128624	Service Date Sleeve

Part numbers in **BOLD ITALICS** indicate standard overhaul replacement part

Titan/Calypso QC Series 2010-Present



Key #	Part #	Description
-------	--------	-------------

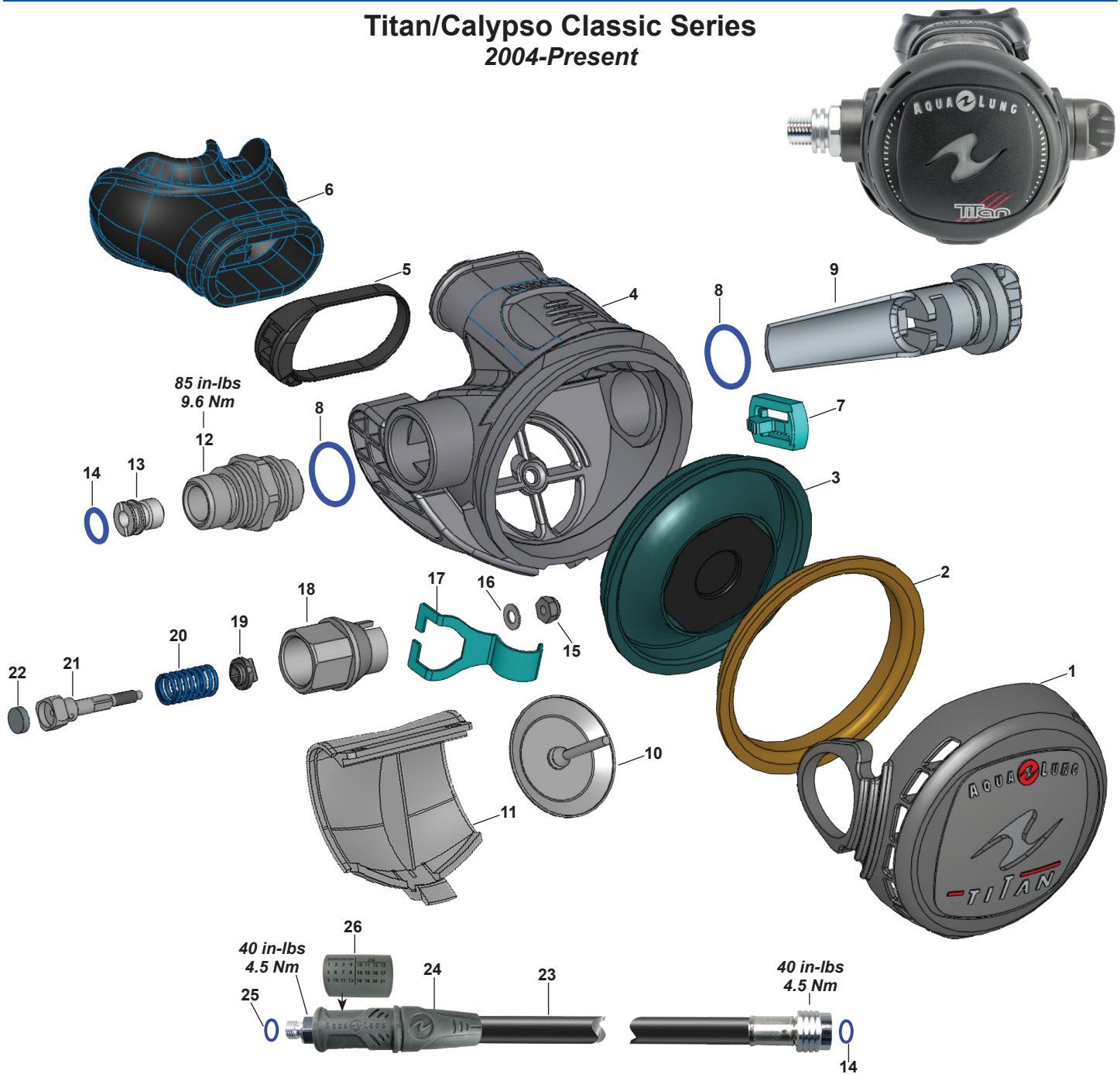
-----	900010	Overhaul Parts Kit
-----	128540	Second Stage, Titan
-----	128550	Second Stage, Calypso
1 ----	128615	Front Cover, Titan
-----	128616	Front Cover, Calypso
-----	128628	Front Cover, Calypso O2/Titan O2
-----	128618	Front Cover, Octo
2 ----	124509	Diaphragm Washer
3 ----	128610	Diaphragm
4 ----	128612	Venturi
5 ----	128602	Case
6 ----	129154	Mouthpiece Clamp
7 ----	109438	Mouthpiece, ComfoBite
-----	104138	Mouthpiece, Standard
8 ----	128621	Crown
9 ----	820010P	O-ring (25 pk)
10 ----	128604	Crown Holder
11 ----	820017P	O-ring (10 pk)
12 ----	128603	Hose Locker
13 ----	128605	Spring

Key #	Part #	Description
-------	--------	-------------

14 ----	128609	Ring Locker
15 ----	129174	Exhaust Valve
16 ----	128613	Exhaust Valve Cover
17 ----	128611	Venturi Knob
18 ----	106738	MP Seat
19 ----	104122	Poppet
20 ----	125737	Spring
21 ----	128606	Valve Insert, Reversible
22 ----	125708	Lever
23 ----	104129	Washer
24 ----	102510	Locknut
25 ----	820011P	O-ring (25 pk)
26 ----	124570	Hose Protector, Blk
-----	124573	Hose Protector, Yellow
27 ----	129160	Hose Sleeve
28 ----	128619	MP Hose, Quick Connect, 3/8" x 30"
-----	128620	MP Hose, Quick Connect, 3/8" x 39"
29 ----	128624	Service Date Sleeve
30 ----	128595	Swivel Hose Adapter
31 ----	216047	Hose Holder

Part numbers in **BOLD ITALICS** indicate standard overhaul replacement part

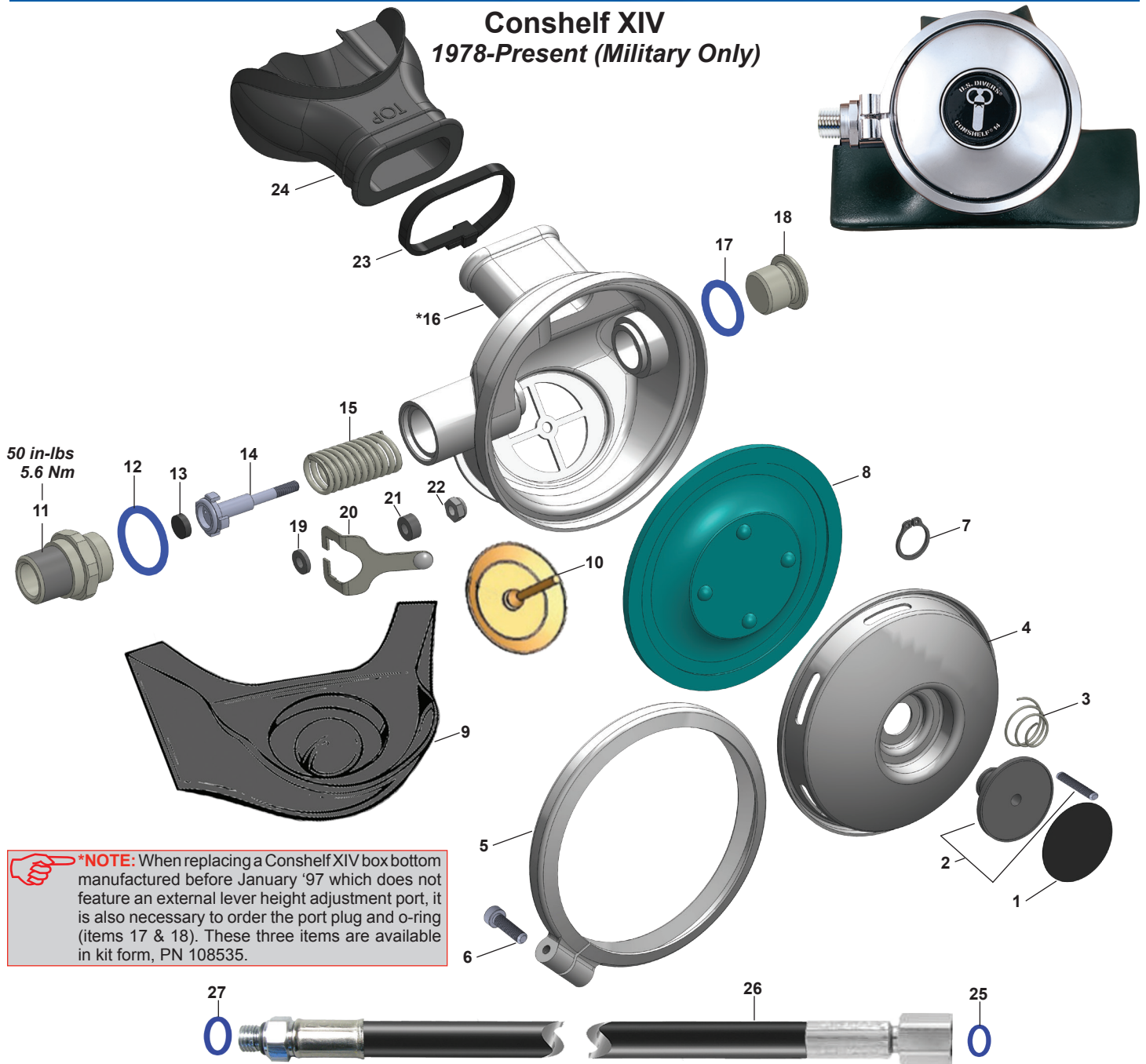
Titan/Calypso Classic Series 2004-Present



Key #	Part #	Description	Key #	Part #	Description
----	900010	Overhaul Parts Kit	10	129174	Exhaust Valve
----	125835	Second Stage, Titan Classic	11	125702	Exhaust Valve Cover
----	125740	Second Stage, Calypso Classic	12	104106	Inlet Fitting
1	125732	Front Cover, Titan	13	100128	Crown Orifice
----	125719	Front Cover, Calypso	14	820010P	O-ring (25 pk)
----	125734	Front Cover, Calypso, Green, O ₂	15	102510	Locknut
----	125724	Front Cover, Octopus	16	104129	Washer
2	124509	Diaphragm Washer	17	125708	Lever
3	125705	Diaphragm	18	125709	Valve Insert
4	125721	Box Bottom	19	104134	Poppet Bearing
5	129154	Mouthpiece Clamp	20	104127	Spring
6	109438	Mouthpiece, Comfobite	21	104122	Poppet
----	104138	Mouthpiece, Octopus	22	106738	MP Seat
7	125707	Retaining Clip, Venturi Switch	23	APF124563	MP Hose, Black, 3/8" x 30", w/ Protector
8	820015P	O-ring (10 pk)	----	APF124566	MP Hose, Octo, Yellow, 3/8" x 39", w/ Protector-
9	125706	Venturi Switch	24	124570	Hose Protector, Black
			----	124573	Hose Protector, Yellow
			25	820011P	O-ring (25 pk)
			26	128624	Service Date Sleeve

Part numbers in **BOLD ITALICS** indicate standard overhaul replacement part

Conshelf XIV 1978-Present (Military Only)



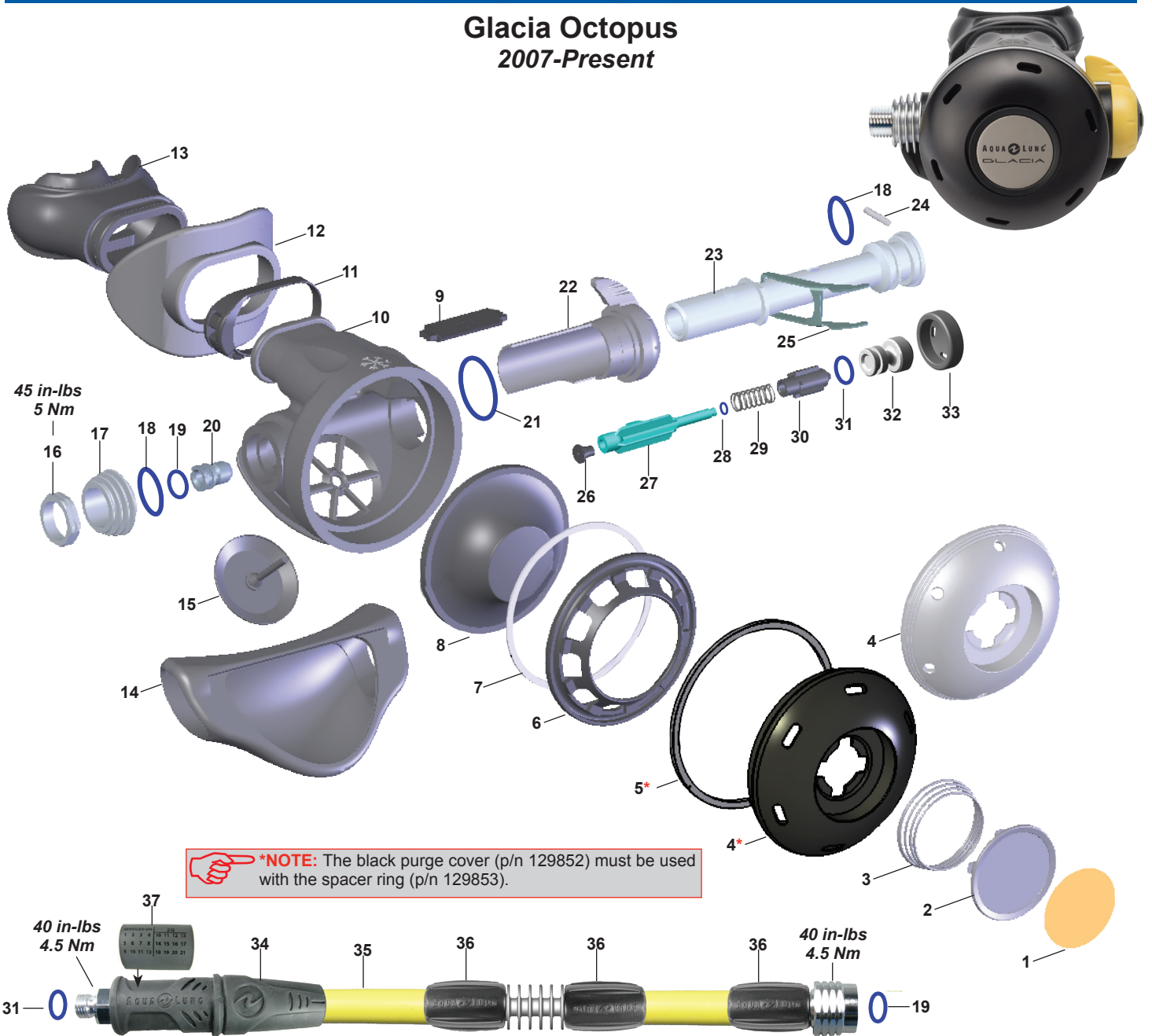
***NOTE:** When replacing a Conshelf XIV box bottom manufactured before January '97 which does not feature an external lever height adjustment port, it is also necessary to order the port plug and o-ring (items 17 & 18). These three items are available in kit form, PN 108535.

Key #	Part #	Description
-----	900013	Overhaul Parts Kit
-----	108530	Conshelf XIV Second Stage
-----	108538	Conshelf XIV Supreme Second Stage
1----	108185	Decal, Conshelf XIV
2----	103706	Purge Button w/ Adjustment Screw
3----	102708	Purge Spring
4----	107001	Box Top
5----	390147	Box Top Clamp
6----	834023	Clamp Screw
7----	860037	Retaining Ring
8----	103732	Demand Diaphragm (U.S. Military Only)
9----	101919	Exhaust Tee
10----	105139	Exhaust Valve
11----	100444	Inlet Fitting
12----	820014P	O-ring (25 pk)
13----	108510	MP Seat, Black
14----	104903	Poppet

Key #	Part #	Description
15----	108504	Spring (Standard)
-----	108514	Spring (Octopus)
16----	108122	Box Bottom
-----	108535	Box Bottom Kit (includes 16, 17 & 18)
17----	957025P	O-ring (10 pk)
18----	102004	Plug
19----	107607	Washer
20----	107605	Lever
21----	107606	Spacer
22----	102510	Locknut
23----	104940	Clamp, Clear
-----	104913	Clamp, Black
24----	105884	Comfo Bite Mouthpiece, Clear
-----	105885	Comfo Bite Mouthpiece, Black
-----	105879	Standard Mouthpiece, Black
25----	820010P	O-ring (25 pk)
26----	090015	MP Hose, 3/8" x 30" Black
-----	090039	MP Hose, 3/8" x 39" Yellow
-----	090025	MP Hose, 3/8" x 39" Black
27----	820011P	O-ring (25 pk)

Part numbers in **BOLD ITALICS** indicate standard overhaul replacement part

Glacia Octopus 2007-Present

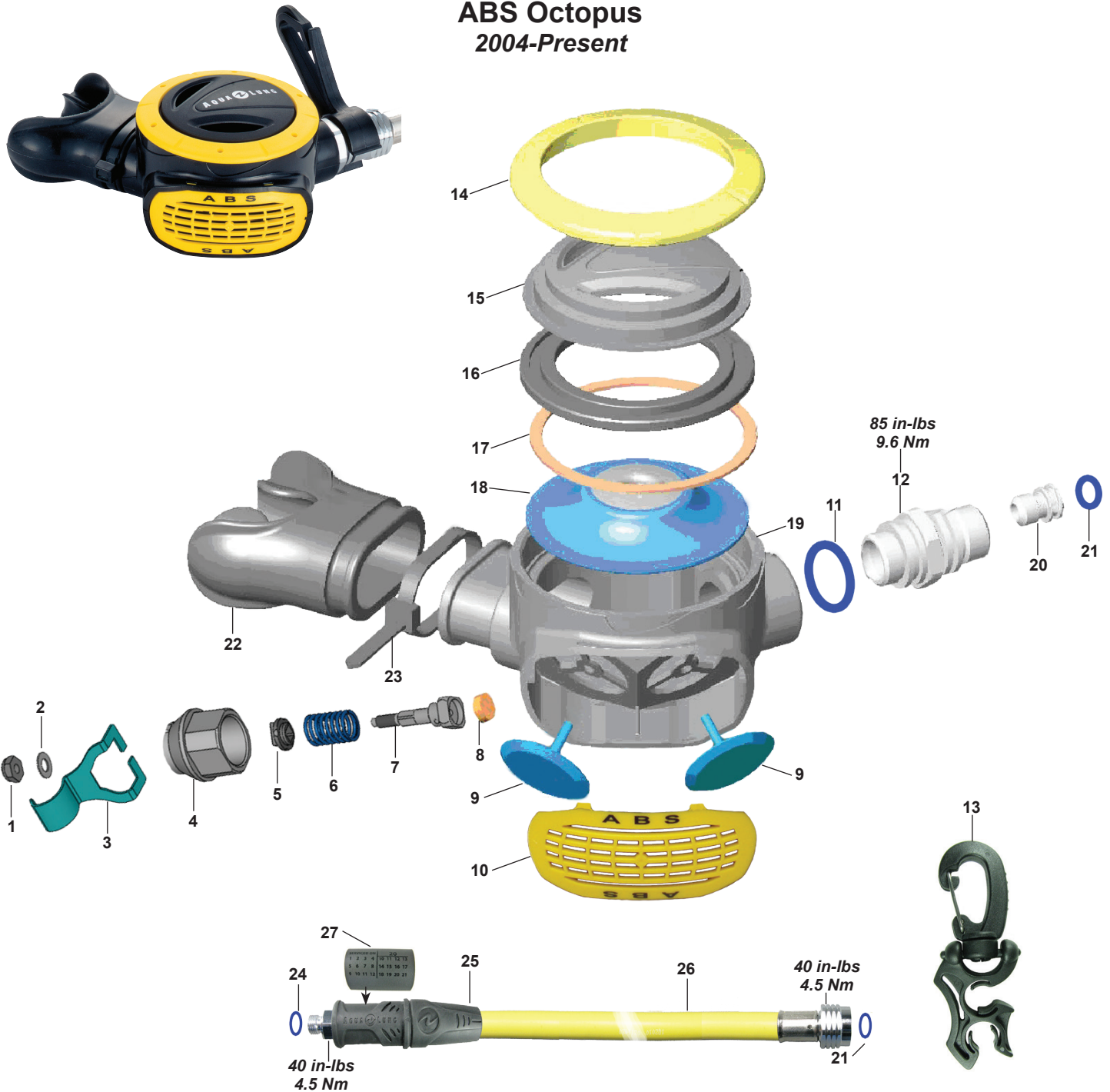


***NOTE:** The black purge cover (p/n 129852) must be used with the spacer ring (p/n 129853).

Key #	Part #	Description	Key #	Part #	Description
-----	900012	Overhaul Parts Kit	18 ----	820015P	O-ring (10 pk)
1----	129354	Decal, Purge Button (Glacia Octo)	19 ----	820010P	O-ring (25 pk)
2----	AP5805	Purge Button	20----	AP2033	Crown
3----	AP2020	Spring	21 ----	AP1438P	O-ring (10 pk)
4----	129852	Purge Cover, Black	22----	129183	Venturi Lever, Yellow
-----	129351	Purge Cover, Silver	23----	129146	Valve Body
5----	129853	Spacer Ring, Aluminum (for Black Cover only)	24----	AP1151	Pin
6----	129195	Diaphragm Retainer	25----	129178	Lever
7----	129133	Thrust Washer	26 ----	129638	MP Seat, Silicone
8----	129150	Diaphragm	27----	AP2036	Shuttle Valve
9----	129184	Baffle	28 ----	AP2041P	O-ring (10 pk)
10----	129188	Box Bottom	29----	AP2021	Spring
11----	129154	Mouthpiece Clamp	30----	AP2038SQ	Counter-balance Chamber
12----	109512	Lip Shield	31 ----	820011P	O-ring (25 pk)
13----	109438	Mouthpiece, ComfoBite	32----	129162	Adjustment Screw
-----	104138	Mouthpiece, Standard	33----	129161	Plug
14----	104102	Exhaust Tee	34----	124570	Hose Protector, Black
15----	129174	Exhaust Valve	35----	129352	MP Hose w/Heat X, Yellow 3/8x36
16----	AP2031	Retaining Nut	36----	129160	Hose Sleeve, Black
17----	129148	Heat Exchanger	37 ----	128624	Service Date Sleeve

Part numbers in **BOLD ITALICS** indicate standard overhaul replacement part

ABS Octopus 2004-Present



Key #	Part #	Description
-----	900010	Overhaul Parts Kit
1----	102510	Locknut
2----	104129	Washer
3----	116928	Lever
4----	116926	Valve Body
5----	104134	Poppet Bearing
6----	104127	Spring
7----	104122	Poppet
8----	106738	MP Seat
9----	100122	Exhaust Valves
10----	116925	Exhaust Grid
11----	820015P	O-ring (10 pk)
12----	104106	Inlet Fitting
13----	216047	Hose Retaining Clip


Key #	Part #	Description
14----	116922	Cover Ring
15----	116929	Purge Cover
16----	116923	Diaphragm Retainer
17----	107818	Diaphragm Washer
18----	116930	Diaphragm
19----	116927	Box Bottom
20----	100128	Crown Orifice
21----	820010P	O-ring (25 pk)
22----	104138	Mouthpiece, Octopus
23----	104913	Clamp
24----	820011P	O-ring (25 pk)
25----	124570	Hose Protector, Black
26----	APF124566	MP Hose, Octopus, Yellow, 3/8" x39" w/Protector
27----	128624	Service Date Sleeve

Part numbers in **BOLD ITALICS** indicate standard overhaul replacement part

Titan LX Series 2001-2014 discontinued
Legend Series 2002-2011 discontinued




***NOTE:** The purge cover (p/n 129172) and metal badge (p/n 129187) are no longer available. If either part needs to be replaced, you can substitute with Legend purge cover (p/n 129236).



Old Revision

***NOTE:** The diaphragm retainer and purge cover for the pre-2009 Titan LX 2nd stage are no longer available. If the diaphragm retainer and/or purge cover become damaged or lost, you will need to replace both parts with the new Titan LX purge cover (p/n 128103) and diaphragm retainer (p/n 129195). "DO NOT" use the old diaphragm retainer with the new purge cover. The old/new purge cover retaining ring can be used with either purge cover.



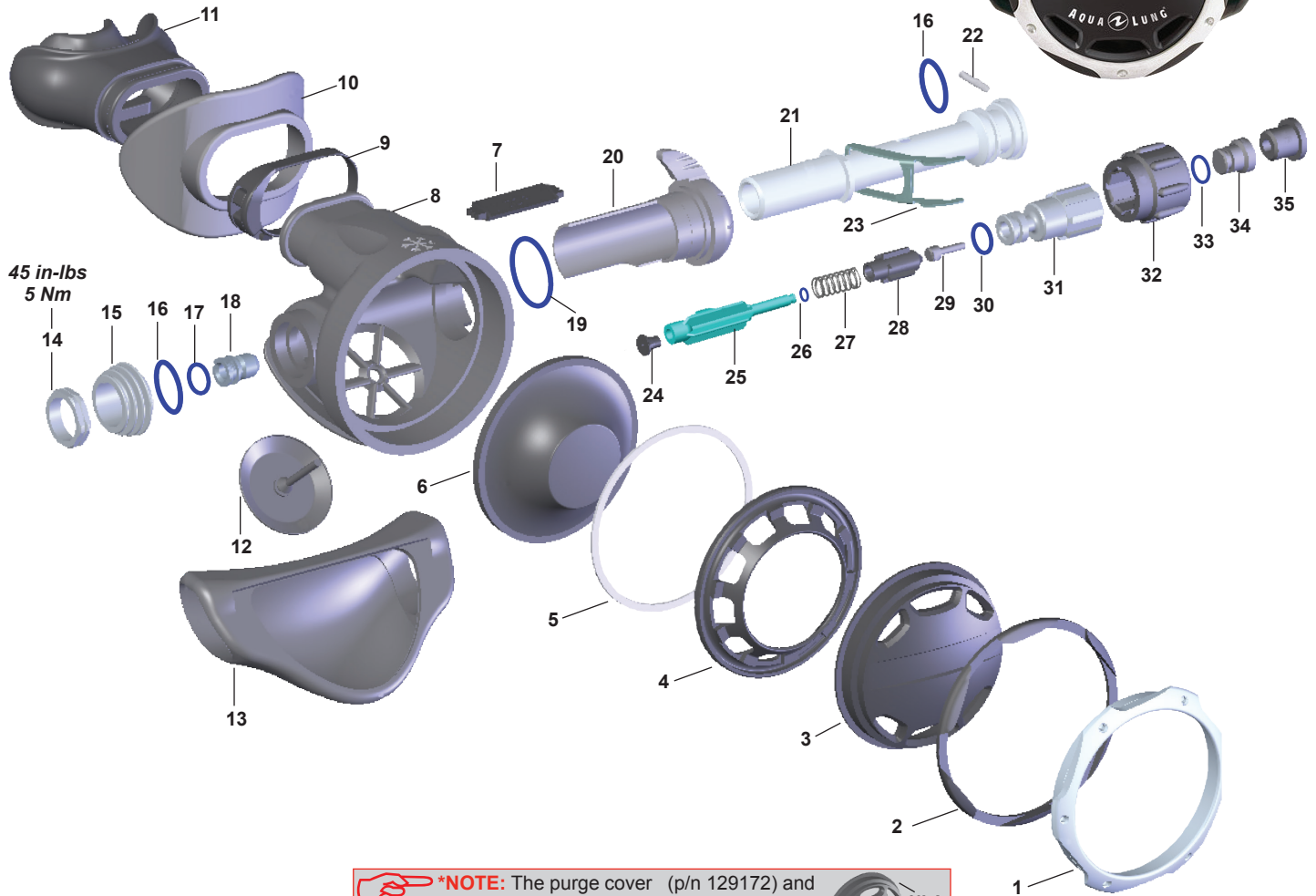
Old Revision

Key #	Part #	Description
-----	900012	Overhaul Parts Kit
1 ----	129344	Decal, Purge Button (Glacia)
2 ----	AP5805	Purge Button (Glacia)
3 ----	AP2020	Spring (Glacia)
4 ----	129171	Retaining Ring, Silver (Legend)
-----	128102	Retaining Ring, Black (Titan LX)
5 ----	129173	Mating Ring, Rubber (Legend)
6 ----	129236	Purge Cover, Black (Legend)
-----	129237	Purge Cover, Yellow (Legend Octo)
-----	128103	Purge Cover, (Titan LX)
-----	128105	Purge Cover, (Titan LX Supreme)
-----	128107	Purge Cover, Yellow (Titan LX Octo)
-----	129344	Purge Cover, Silver (Glacia)
7 ----	129195	Diaphragm Retainer, Black
-----	128104	Diaphragm Retainer, Red, (Titan LX)
-----	128108	Diaphragm Retainer, Blue, (Titan LX Supreme)
8 ----	129133	Thrust Washer
9 ----	129150	Diaphragm
10 ----	129184	Baffle
11 ----	129164	Case, Legend, Titan LX, Octopus
-----	129188	Case, Supreme,
12 ----	129154	Mouthpiece Clamp

Key #	Part #	Description
13 ----	109512	Lip Shield, Supreme Model
14 ----	109438	Mouthpiece, ComfoBite
-----	104138	Mouthpiece, Standard
15 ----	104102	Exhaust Cover
16 ----	129174	Exhaust Valve
17 ----	AP2031	Retaining Nut
18 ----	129148	Heat Exchanger
19 ----	820015P	O-ring (10 pk)
20 ----	820010P	O-ring (25 pk)
21 ----	AP2033	Crown
22 ----	AP1438P	O-ring (10 pk)
23 ----	129139	Venturi Lever, Black
24 ----	129146	Valve Body
25 ----	AP1151	Pin
26 ----	129178	Lever
27 ----	129638	MP Seat, Silicone
28 ----	AP2036	Shuttle Valve
29 ----	AP2041P	O-ring (10 pk)
30 ----	AP2021	Spring
31 ----	AP2038SQ	Counter-balance Chamber
32 ----	820011P	O-ring (25 pk)
33 ----	129162	Adjustment Screw
34 ----	129161	Plug

Part numbers in **BOLD ITALICS** indicate standard overhaul replacement part

Legend LX Series
2002-2011 discontinued

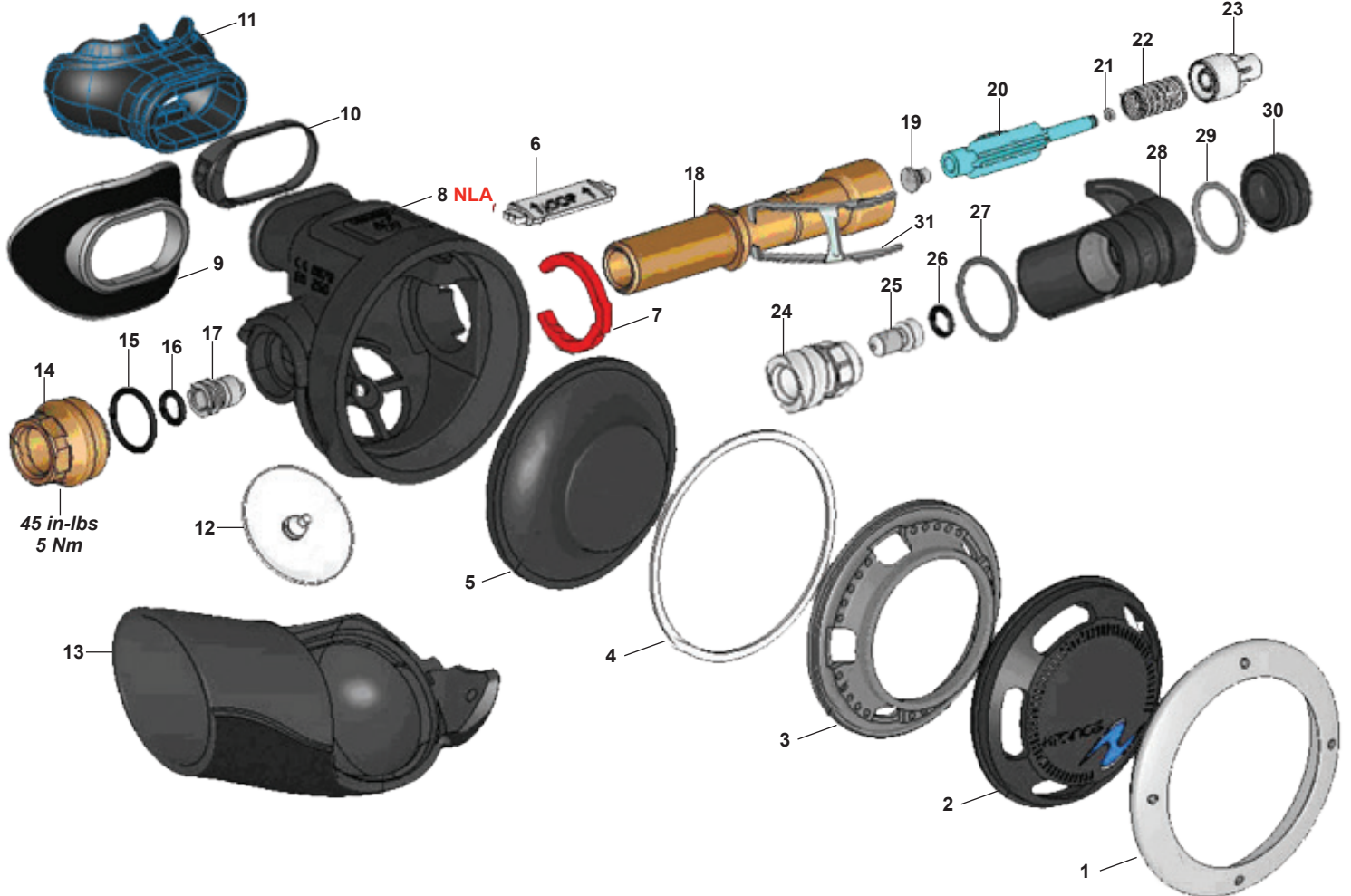


***NOTE:** The purge cover (p/n 129172) and metal badge (p/n 129187) are no longer available. If either part needs to be replaced, you can substitute with Legend purge cover (p/n 129236).

Key #	Part #	Description	Key #	Part #	Description
----	900012	Overhaul Parts Kit	17 ----	820010P	O-ring (25 pk)
1	129171	Retaining Ring, Silver	18	AP2033	Crown
2	129173	Mating Ring, Rubber	19 ----	AP1438P	O-ring (10 pk)
3	129236	Purge Cover, Legend, Black	20	129138	Venturi Lever
4	129195	Diaphragm Retainer	21	129146	Valve Body
5	129133	Thrust Washer	22	AP1151	Pin
6	129150	Diaphragm	23	129178	Lever
7	129184	Baffle	24 ----	129638	MP Seat, Silicone
8	129164	Case, LX	25	AP2036	Shuttle Valve
----	129188	Case, LX Supreme	26 ----	AP2041P	O-ring (10 pk)
9	129154	Mouthpiece Clamp	27	AP2021	Spring
10	109512	Lip Shield, Supreme Model	28	AP2038SQ	Counter-balance Chamber
11	109438	Mouthpiece, ComfoBite	29	129129	Adjustment Pin
----	104138	Mouthpiece, Standard	30 ----	820011P	O-ring (25 pk)
12	129174	Exhaust Valve	31	129147	Adjustment Knob
13	104102	Exhaust Cover	32	129130	Grip
14	AP2031	Retaining Nut	33 ----	820009P	O-ring (10 pk)
15	129148	Heat Exchanger	34	129135	Adjusting Screw
16 ----	820015P	O-ring (10 pk)	35	129142	Plug

Part numbers in **BOLD ITALICS** indicate standard overhaul replacement part

Kronos Series
2007-2011 discontinued



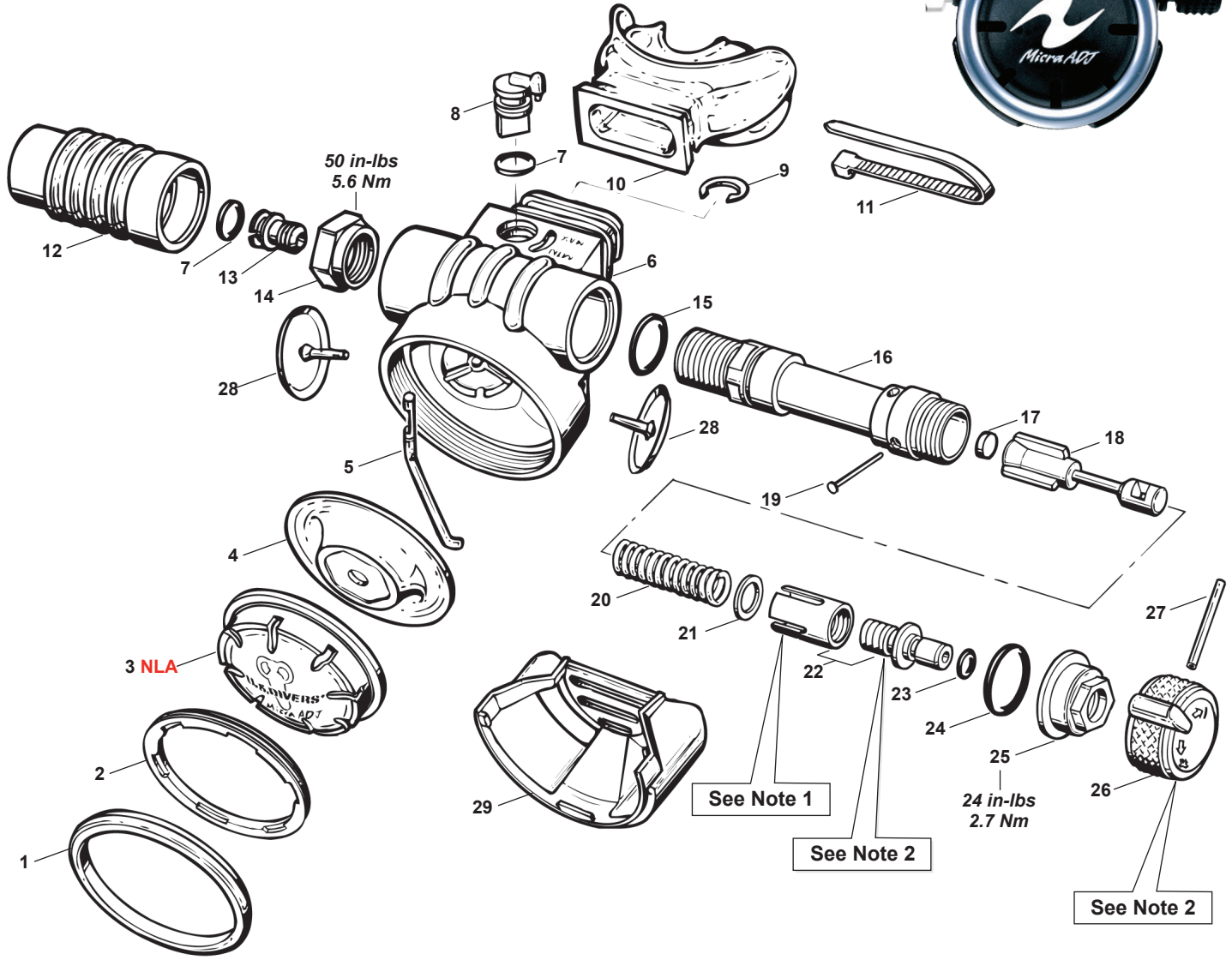
Key #	Part #	Description
-----	900012	Overhaul Parts Kit
1----	127602	Retaining Ring, Kronos
-----	127621	Retaining Ring, Kronos Octo
2----	127614	Purge Cover, Kronos
-----	127615	Purge Cover, Kronos Supreme
-----	127616	Purge Cover, Kronos Octo
3----	127625	Diaphragm Retainer
4----	129133	Washer
5----	129150	Diaphragm
6----	129184	Baffle
7----	127612	Clip
8----	NLA	Case, Kronos
9----	109512	Lip Shield, Supreme Model
10----	129154	Mouthpiece Clamp
11----	109438	Mouthpiece, ComfoBite
-----	104138	Mouthpiece, Standard
12----	129174	Exhaust Valve
13----	127622	Exhaust Tee, Kronos

Key #	Part #	Description
14----	127606	Heat Exchanger
15----	820015P	O-ring (10 pk)
16----	820010P	O-ring (25 pk)
17----	AP2033	Crown
18----	127605	Valve Body
19----	129638	MP Seat, Silicone
20----	AP2036	Shuttle Valve
21----	AP2041P	O-ring (10 pk)
22----	AP2021	Spring
23----	127607	Counter-balance Chamber
24----	127609	Cam
25----	127608	Adjusting Screw
26----	820009P	O-ring (10 pk)
27----	820018P	O-ring (20 pk)
28----	127626	Venturi Lever
29----	820016P	O-ring (10 pk)
30----	127624	Plug
31----	129178	Lever
32----	820011P	O-ring (25 pk)

Part numbers in **BOLD ITALICS** indicate standard overhaul replacement part

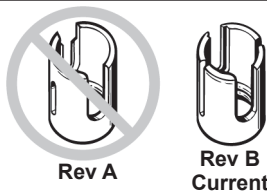
Micra ADJ

1997-2007 discontinued



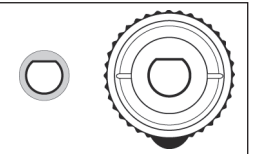
NOTE 1:

The Lever Retaining Sleeve (Key #22) was revised in 1997. Be sure to correctly identify the part before reinstalling, and replace with new if found to be a Revision A part. (Refer to Technical Bulletin No. 10, dated August 15, 1997.)



NOTE 2:

The Adjustment Screw (Key #22) and Knob (Key #26) were revised and are now keyed for easier alignment. It will be necessary to order both parts when replacing one which is not the current revision.

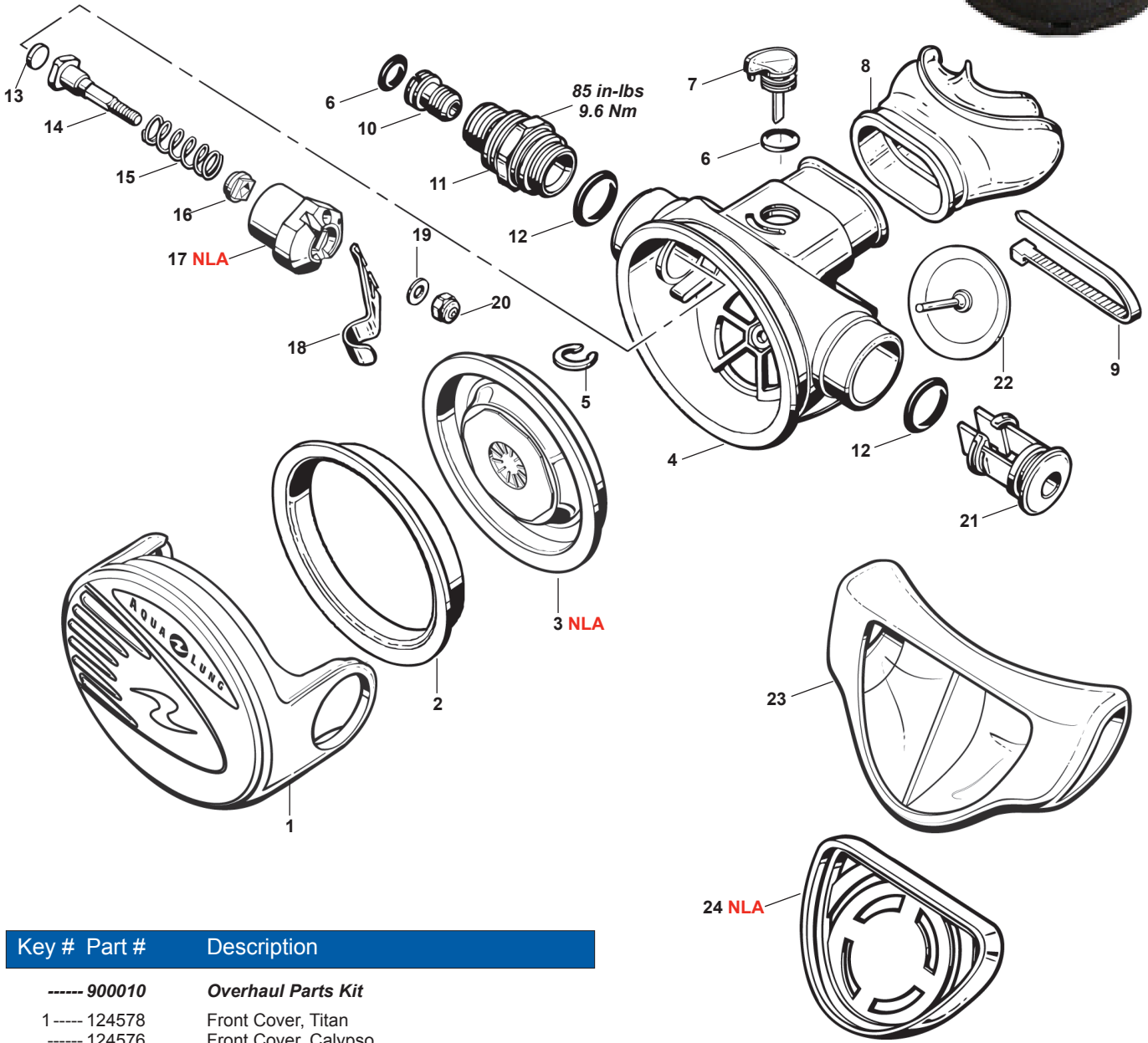
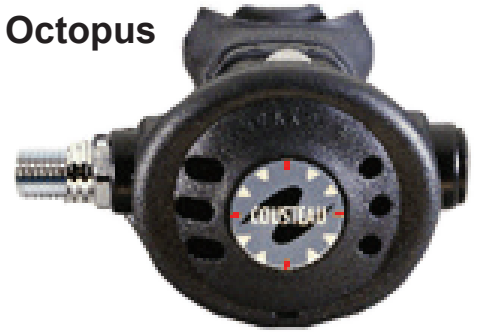


Key #	Part #	Description
-----	900003	Overhaul Parts Kit
1 ----	100862	Color Ring - Silver
2 ----	100119	Retaining Ring
3 ----	NLA	Purge Cover
4 ----	100181	Demand Diaphragm
5 ----	100856	Leve
6 ----	100143	Box Bottom
7 ----	820010P	O-ring (25 pk)
8 ----	100108	Vane Adjustment Switch
9 ----	860137	C-Clip
10 ----	105838	Mouthpiece, Comfo Snap-on, Standard
-----	105848	Mouthpiece, Comfo Snap-on, Small
-----	105831	Mouthpiece, Snap-on, Octopus
11 ----	104913	Clamp, Black
12 ----	100103	Hose Protector, Black
13 ----	100128	Adjustable Crown

Key #	Part #	Description
14 ----	100136	Hex Nut, 3/4"
15 ----	820314	O-ring
16 ----	100845	Valve Body
17 ----	108510	MP Seat
18 ----	100843	Poppet
19 ----	100132	Pin
20 ----	108515	Spring
21 ----	100853	Washer
22 ----	100888	Lever Retaining Sleeve & Adjustment Screw
23 ----	820008	O-ring
24 ----	820016P	O-ring (10 pk)
25 ----	100841	Cap Nut
26 ----	100872	Adjustment Knob
27 ----	100854	Pin
28 ----	100122	Exhaust Valve Diaphragm
29 ----	100109	Exhaust Cover, Original
-----	100110	Exhaust Cover, Swept Back

Part numbers in **BOLD ITALICS** indicate standard overhaul replacement part

Titan • Cousteau • Calypso • Partner • Octopus
1998-2004 discontinued



Key # Part # Description

- **900010** **Overhaul Parts Kit**
- 1 ---- 124578 Front Cover, Titan
- 124576 Front Cover, Calypso
- 124577 Front Cover, Octopus/Partner
- 2 ---- 124509 Sealing Ring
- 3 ---- **NLA** Diaphragm
- 4 ---- 104101 Box Bottom
- 5 ---- 860137 Circlip
- 6 ---- **820010P** **O-ring (25 pk)**
- 7 ---- 104113 Vane Adjustment Switch
- 8 ---- 109438 Mouthpiece, Comfo Bite
- 104138 Mouthpiece, Octopus
- 9 ---- **104913** **Clamp**
- 10 ---- 100128 Crown
- 11 ---- 104106 Inlet Fitting
- 12 ---- **820015P** **O-ring (10 pk)**

Key # Part # Description

- 13 ---- **106738** **MP Seat**
- 14 ---- 104122 Poppet
- 15 ---- 104127 Spring
- 16 ---- **104134** **Poppet Bearing**
- 17 ---- **NLA** Valve Insert (Right Hand)
- 18 ---- 104108 Lever
- 19 ---- 104129 Washer
- 20 ---- **102510** **Locknut**
- 21 ---- 104112 End Plug
- 22 ---- 107822 Exhaust Diaphragm
- 23 ---- 104102 Exhaust Tee
- 24 ---- **NLA** Exhaust Cover, Yellow, Octopus

Part numbers in **BOLD ITALICS** indicate standard overhaul replacement part.

Aqua Lung Common Regulator Spares

Regulator Service Kits

Part # Description

FIRST STAGE KITS

900000--- Cousteau/SEA/Spectrum, First Stage
 900001--- Titan(<2009)/Conshelf, First Stage
 900002--- Calypso/Aquarius/Mirage, First Stage
 900014--- Mikron/Titan(2010>),Legend non-ACD, First Stage
 900015--- Calypso (2004>) First Stage
 900017--- Legend ACD, First Stage
 900018--- Core/Kronos/Titan LX ACD, First Stage
 42631 ---- Pioneer/SQ Century, Yoke and DIN (oil not incl.)
 42626 ---- SQ Infinity

SECOND STAGE KITS

900003--- Micra ADJ/Micra RH, Second Stage
 900009--- Impulse/Impulse Cryo/XR2, Second Stage
 900010--- Titan/Calypso/ABS/LPO/Glacia, Second Stage
 900012--- Core/Legend(<2011)/Titan LX/Kronos/Mikron,Second Stage
 900013--- Conshelf, Second Stage
 900021--- Airsource III
 900022--- Legend Second Stage (2012>)
 42608 ---- Air Source II
 42628 ---- Sea Quest XL, Second Stage

COMPLETE KITS:

900016--- Mistral (complete)

Hose Protectors & Thread Adapters

Part # Description

101785 --- Adapter, HP, 7/16" Female to 3/8" Male
 128624 --- Service Date Sleeve
 124570 --- Hose Protector, Aqua Lung, Std Hose, Black
 124573 --- Hose Protector, Aqua Lung, Std Hose, Yellow
 127859 --- Hose Protector, Aqua Lung, Braided Hose, Black

Regulator MP Hoses Aqua Lung

Part # Description

129807 --- Hose, MP,Braided, 3/8 x 29 Black, w/2Protectors (2012 Legend)
 129681 --- Hose, MP,Braided, 3/8 x 39 Yellow, w/2Protectors (2012 Leg Octo)
 APF124563 Hose, MP, Primary, 3/8 x 30 w/Protector
 APF124565 Hose, MP, Primary, 1/2 x 30 w/Protector
 APF124566 Hose, MP, Octopus, 3/8 x 39 w/Protector, Yellow
 129343 --- Hose, MP, w/Heat x,3/8 x 30 Blk (Glacia)
 129352 --- Hose, MP, w/Heat x,3/8 x 36, Yellow Glacia)
 125932 --- Hose, MP, Mistral 630mm
 125934 --- Hose, MP, Mistral 245mm
 129861 --- Hose, MP, Aquaflex, Braided, 3/8 x 30 Black (Mikron)
 129862 --- Hose, MP, Aquaflex, Braided, 3/8 x 39 Yellow (Mikron)
 128619 --- Hose, MP, w/QC, 3/8 x 30 Black (Titan QC/Calypso QC)
 128620 --- Hose, MP, w/QC, 3/8 x 39 Yellow (Titan QC Octo)
 090015 --- Hose, MP, Primary, 3/8 x 30
 090025 --- Hose, MP, Octopus, 3/8 x 39

DIN/Yoke Adapters & ACD Conversions

Part # Description

LEGEND

129021 ---DIN ACD Adapter, Legend ACD (2013>)
For use on current Legend with body loaded filter (See Technical Bulletin #38)
 129803 ---DIN ACD Adapter, Legend ACD (2012)
For use on current Legend with inlet fitting loaded filter (See Technical Bulletin #38)
 129227 ---DIN ACD Conversion Kit, Legend (<2011)
Converts original non-ACD Legend in Yoke or DIN to ACD DIN
 129226 ---Yoke ACD Conversion Kit, Legend (<2011)
Converts original non-ACD Legend in Yoke to ACD Yoke. Uses original Yoke & Yoke Screw

CORE

129946 ---DIN ACD Adapter, Core ACD

MIKRON

129022 ---DIN Adapter, non-ACD, Mikron (2013>)
For use on current Mikron with body loaded filter. (See Technical Bulletin #38)
 127865 ---DIN Adapter, non-ACD, Mikron (2010-12)
For use on current Mikron with inlet fitting loaded filter. (See Technical Bulletin #38)

TITAN

129022 ---DIN Adapter, non-ACD, Titan (2013>)
For use on current Titan with body loaded filter. (See Technical Bulletin #38)
 129946 ---DIN ACD Conversion, Core/Titan (2013>)
Converts non-ACD Titan in Yoke or DIN to ACD DIN
For use on current Titan with body loaded filter. (See Technical Bulletin #38)
 128545 ---DIN Adapter, non-ACD, Titan (2010-12)
For use on current Titan with inlet fitting loaded filter. (See Technical Bulletin #38)
 128142 ---DIN ACD Conversion, Titan (2010-12)
Converts non-ACD Titan in Yoke or DIN to ACD DIN
For use on current Titan with inlet fitting loaded filter. (See Technical Bulletin #38)
 129226 ---Yoke ACD Conversion Kit, Titan (2010-12)
Converts non-ACD Titan Yoke to ACD Yoke. Uses original Yoke & Yoke Screw
For use on current Titan with inlet fitting loaded filter. (See Technical Bulletin #38)

DISCONTINUED MODELS**TITAN LX**

129946 ---DIN ACD Adapter, Titan LX ACD (2013>)
For use on current Titan LX with body loaded filter. (See Technical Bulletin #38)
 128142 ---DIN ACD Adapter, Titan LX ACD (2009-12)
For use on current Titan LX with inlet fitting loaded filter. (See Technical Bulletin #38)

103172 ---DIN Adapter, Titan/Mistral (<2009)
 107455 ---DIN Adapter, SE3/SE2/Conshelf14

125237 ---DIN to Yoke Converter

Silicone Mouthpieces

Part # Description

109438 --- Comfo-bite (Black), Core,Titan LX/Legend/Kronos/Mikron/Glacia
 127826 --- Comfo-bite (Black,Small), Mikron
 104138 --- Black w/Bite Tabs, Core,Titan/Legend/Kronos/Mikron/Glacia/Octo
 105838 --- Comfo-bite (Clear), Micra
 105848 --- Comfo-bite (Clear, Small), Micra/Conshelf 22/ SEA4/SE3
 105831 --- Black w/Bite Tabs, LPO/Micra
 105884 --- Comfo-bite (White), Conshelf XIV
 105885 --- Comfo-bite (Black), Conshelf XIV
 105879 --- Black w/Bite Tabs, Conshelf XIV
 109512 --- Lip Shield, Supreme models

Apeks Common Regulator Spares

Regulator Service Kits

Part #	Description
--------	-------------

FIRST STAGE KITS:

AP0241/AA--Apeks Diaphragm First Stage
 AP0227/AA--Apeks Status First Stages
 AP0250--- Apeks Flight First Stage

SECOND STAGE KITS:

AP0219/AA--Apeks Second Stages
 AP0219R--Apeks Second Stage, Military
 AP0254--- Apeks Flight Second Stage

DIN/Yoke Adapters

Part #	Description
--------	-------------

AP0211BS- DIN Adapter, Black Sapphire
 AP0620--- DIN Adapter, Co-molded Handwheel
 AP0211-----DIN Adapter, Chrome
 AP0211/S--DIN Adapter, Satin
 AP0371-----DIN Adapter, Flight
 AP0195-----DIN to Yoke Converter

Hose Protectors & Thread Adapters

Part #	Description
--------	-------------

101785 --- Adapter, HP, 7/16" Female to 3/8" Male
 AP1461--- Hose Protector, Apeks, Black (Std Hose)
 AP1461Y--Hose Protector, Apeks, Yellow (Std Hose)
 AP7100 ---Hose Protector, Apeks, Black (Flex Hose)
 AP7100Y--Hose Protector, Apeks, Yellow (Flex Hose)
 AP6236 ---Hose Protector, Apeks, Black (Flight)
 AP6236Y--Hose Protector, Apeks, Yellow (Flight)

Accessories

Part #	Description
--------	-------------

AP0480K--Apeks Regulator Necklace
 AP0274--- 5th Port Upgrade Kit, XTX50
 AP02741--5th Port Upgrade Kit, XTX200/100

Regulator MP Hoses Apeks

Part #	Description
--------	-------------

AP0198DSW--Hose, MP, Flex, Double Swivel, 3/8 x 30"
 AP0199DSW--Hose, MP, Flex, Double Swivel, Octopus, 3/8 x 36"
 AP0203-----Hose, MP, Primary, 1/2 x 30"
 AP0203/S-----Hose, MP, Primary, Satin, 1/2 x 30"
 AP0203/1-----Hose, MP, Primary, 3/8 x 30"
 AP0206-----Hose, MP, Octopus, Yellow, 3/8 x 36"
 AP0198-----Hose, MP, Flex, Primary, 3/8 x 30"
 AP0199-----Hose, MP, Flex, Yellow, 3/8 x 36"
 AP02031-----Hose, MP, 3/8 x 2 Meter (Tec 3)
 AP0200-----Hose, MP, Flex, Primary, 3/8 x 29" (Flight)
 AP0201-----Hose, MP, Flex, Yellow, 3/8 x 36" (Flight)
 AP0249-----Service Kit, Swivel Hose

Silicone Mouthpieces

Part #	Description
--------	-------------

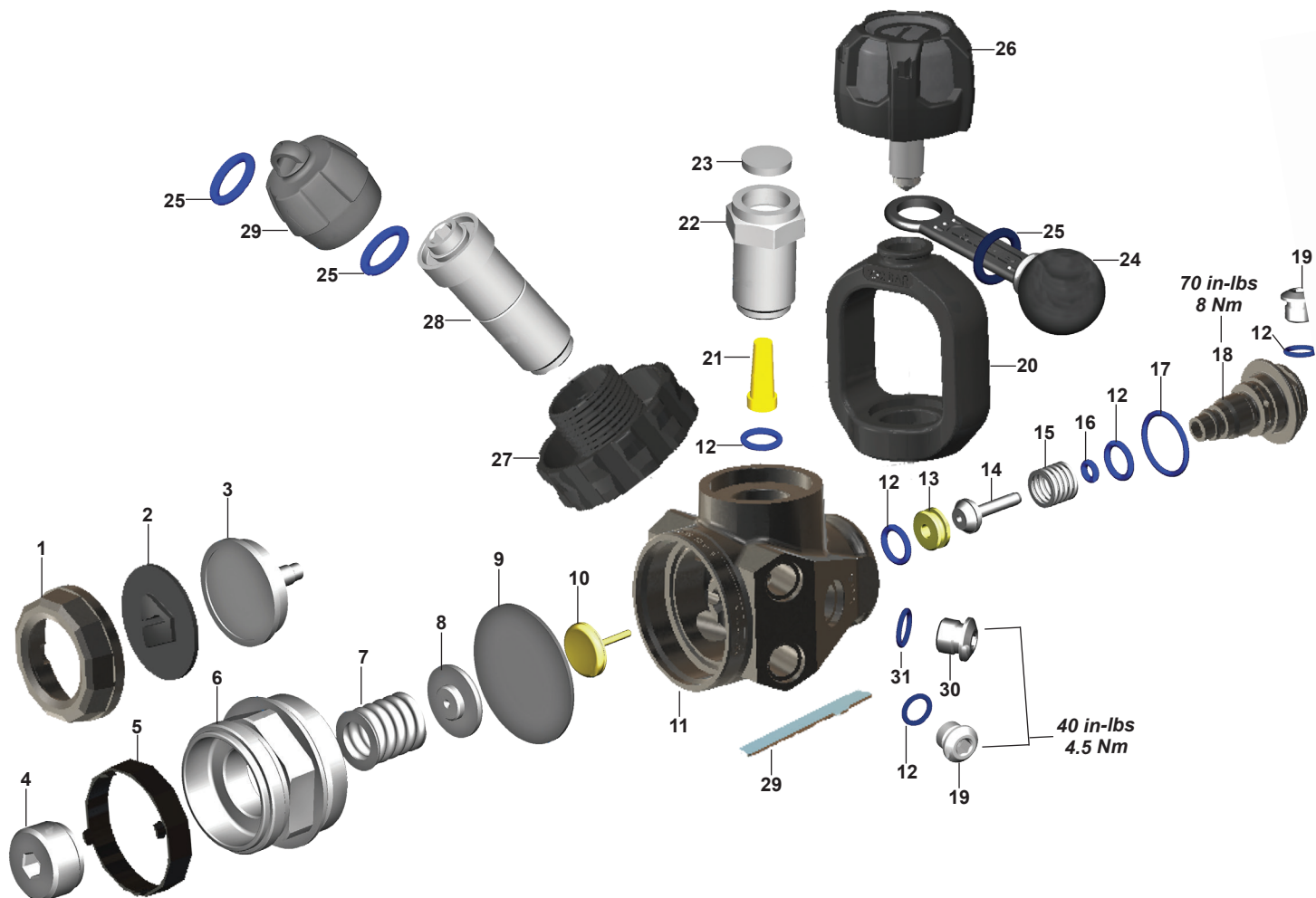
AP5324K--Comfo-bite, Black, Apeks
 AP5324G--Comfo-bite, Green, Apeks
 127826 --- Comfo-bite, Black, Small
 109512 --- Lip Shield

Sidemount Regulator Accessories

Part #	Description
--------	-------------

AP0146180IMP SPG,w/Hose 6" Imperial
 AP0146180----SPG, w/Hose, 6" Metric
 AP0189NHP---Hose, Reg, Braided, Black, 3/8 x 24"
 AP0198NHP---Hose, Reg, Braided, Black, 3/8 x 83"
 AP0137NHP---Hose, Inflator, Braided, Black, 3/8 x 8"
 AP0903K ----Fitting, 90° Fixed Elbow
 AP1000K-----Bolt Snap, S/S, Single, 75mm

Black Sapphire Series 2015-Present



Key #	Part #	Description	Key #	Part #	Description
-----	AP0241/AA	Service Kit, Diaphragm First Stage	16 ----	AP1300P	O-ring (10 pk)
-----	AP0211BS	DIN Connector, 300 Bar	17 ----	AP1298P	O-ring (10 pk)
1 ----	AP7308	Environmental End Cap	18 ----	AP53095BS	5th Port
2 ----	AP7309	Hydrostatic Diaphragm	19 ----	AP1408	3/8" MP Blanking Plug
3 ----	AP1483	Hydrostatic Transmitter	20 ----	AP1403PVD	Yoke Clamp, Blk Sapphire
4 ----	AP1474	Spring Adjuster	21 ----	AP1472	Conical Filter
5 ----	AP7306	Clamp Ring	22 ----	AP1407	Yoke Clamp Connector, Chrome
6 ----	AP14731	Diaphragm Clamp, Chrome, GTX	23 ----	AP1406/1	Filter Guard
7 ----	AP1475	Spring	24 ----	AP1404	Protective Cap
8 ----	AP1476	Spring Carrier	25 ----	AP1166P	O-ring (10 pk)
9 ----	AP1478	Diaphragm	26 ----	AP7312	Yoke Clamp Screw
10 ----	AP5722	Valve Lifter	27 ----	AP7310	Handwheel, 300 Bar
11 ----	AP7307	Body, Blk Sapphire	28 ----	AP1471	Handwheel Connector, Chrome
12 ----	AP1409P	O-ring (10 pk)	29 ----	AP6202	Protective Cap, DIN
13 ----	AP5721	Removable HP Valve Seat (Crown)	29 ----	AP7311	Decal, Body
14 ----	AP1419	HP Valve	30 ----	AP1413	7/16" HP Blanking Plug
15 ----	AP1415	Spring	31 ----	AP1445P	O-ring (10 pk)

Part numbers in **BOLD ITALICS** indicate standard overhaul replacement part.

Flight 2010-Present

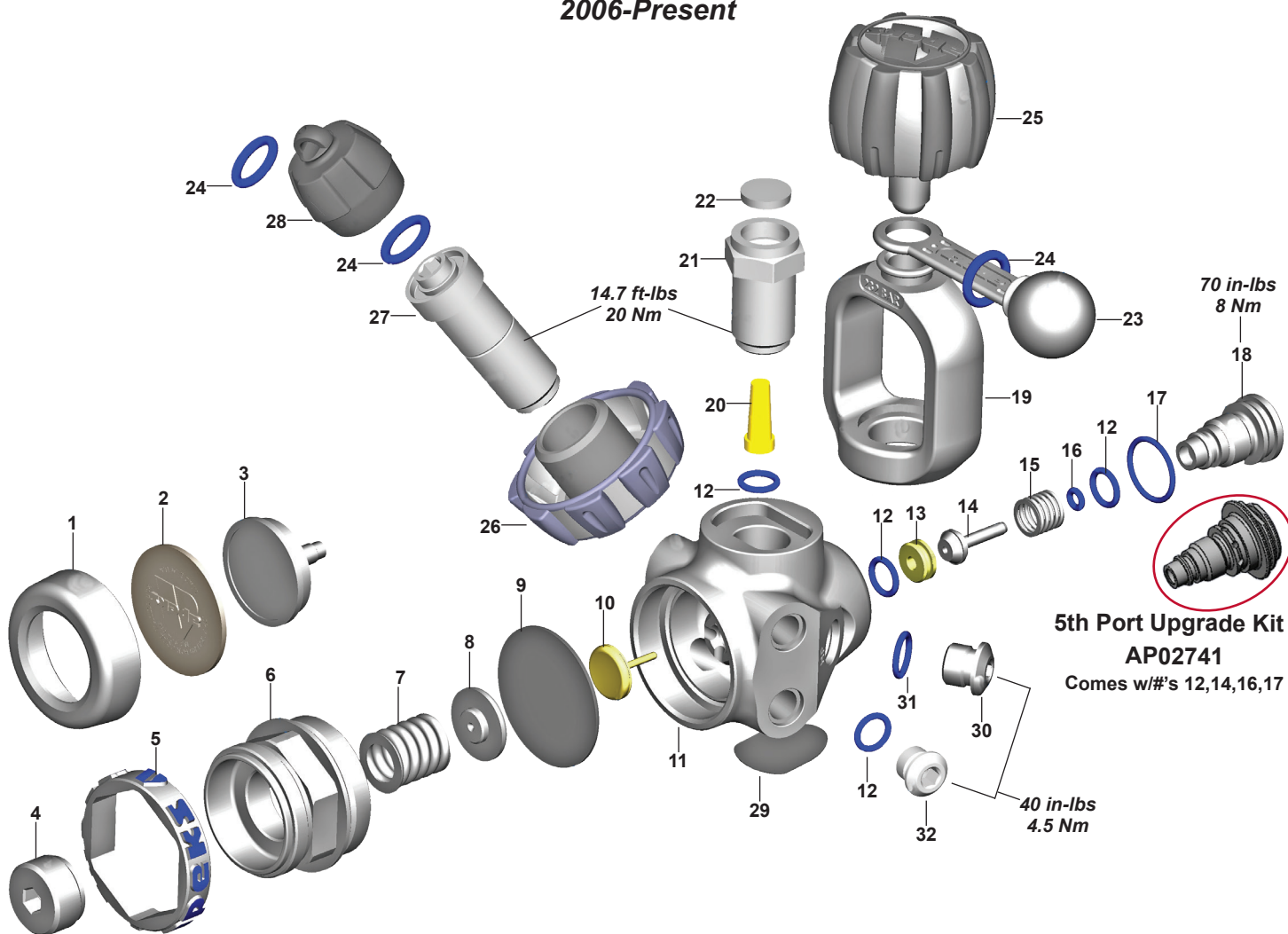


Key #	Part #	Description
-----	AP0250	Service Kit, Flight First Stage
-----	AP0810	Flight, First Stage only, w/Yoke, Pewter
-----	AP0810P	Flight, First Stage only, w/Yoke, Pink
-----	AP0810TL	Flight, First Stage only, w/Yoke, Twilight
-----	AP0371	DIN Connector
1 ----	AP5753	Spring Adjuster
2 ----	AP5754	MP Spring
3 ----	AP5755	Spring Carrier
4 ----	AP5752	Diaphragm Clamp, Composite
5 ----	NLA	Rubber Ring
6 ----	AP5756	Diaphragm
7 ----	AP5757	Splitter
8 ----	AP5717	Valve Lifter
9 ----	AP5758	Body
10 ----	AP5751	Jacket, Pewter
-----	AP5751G	Jacket, Green
-----	AP5751P	Jacket, Pink
-----	AP5751TL	Jacket, Twilight
11 ----	AP1409P	O-ring (10 pk)
12 ----	AP1408	Blanking Plug, 3/8" MP Port
13 ----	AP1445P	O-ring (10 pk)

Key #	Part #	Description
14 ----	AP1413	Blanking Plug, 7/16" HP Port
15 ----	AP5759	HP Valve
16 ----	AP1415	Spring
17 ----	AP1299P	O-ring (10 pk)
18 ----	AP1298P	O-ring (10 pk)
19 ----	AP5750	Hood
20 ----	AP0168	Yoke Connector
21 ----	AP5769	Filter, Yoke
22 ----	AP5768	Circlip
23 ----	AP5695	Plastic Clip
24 ----	AP5766	Yoke Clamp
25 ----	AP5767	Yoke Cover
26 ----	AP5714	Dust Cap
27 ----	AP1166P	O-ring (10 pk)
28 ----	AP5716	Yoke Knob
29 ----	AP5713	Handwheel Hex Axle
30 ----	AP5770	Decal
31 ----	AP0163	DIN Connector
32 ----	AP6201	DIN Handwheel
33 ----	AP5763	Filter, DIN
34 ----	AP5764	DIN Bolt
35 ----	AP6202	Dust Cap

Part numbers in **BOLD ITALICS** indicate standard overhaul replacement part.

XTX200 2006-Present



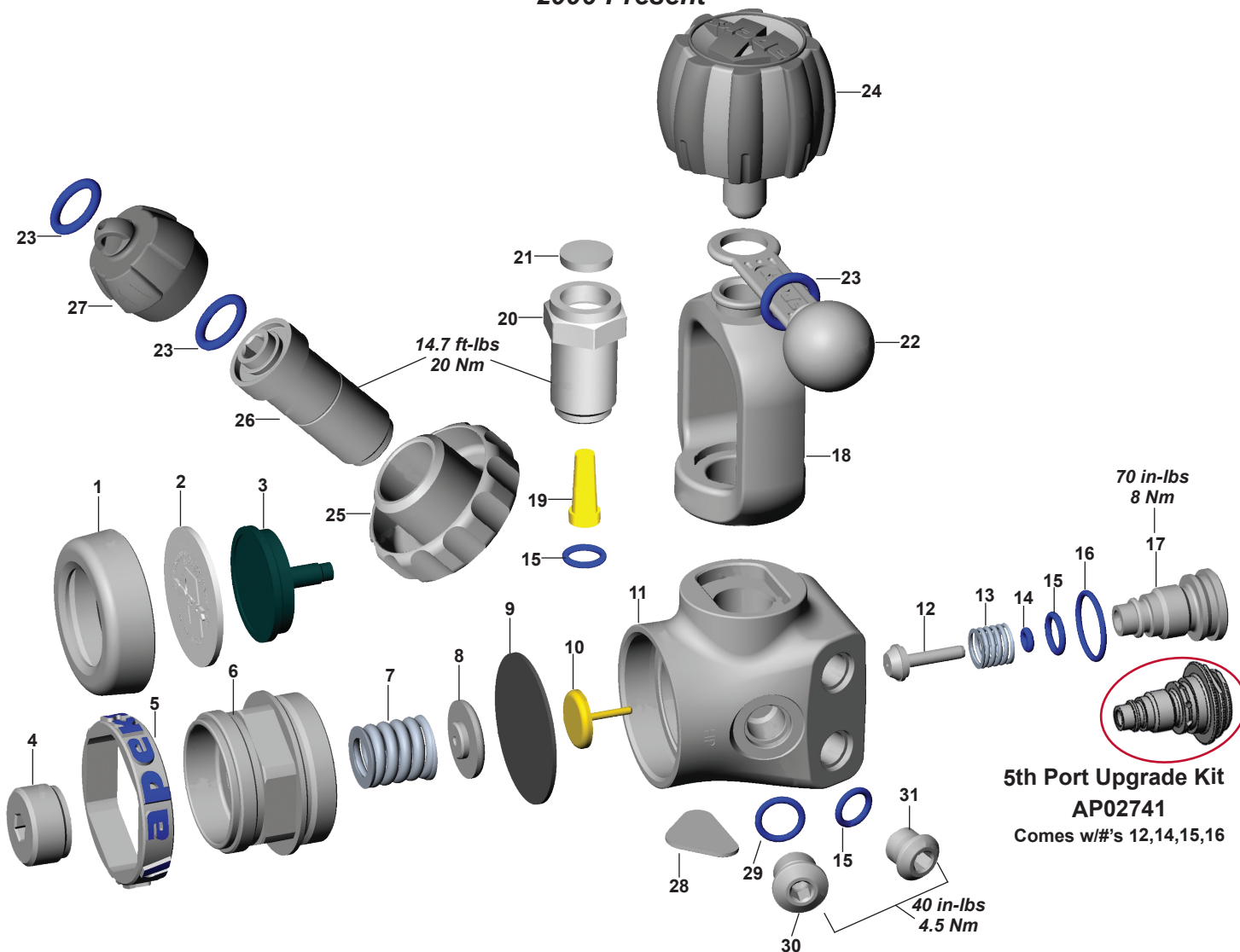
**5th Port Upgrade Kit
AP02741**
Comes w/#'s 12,14,16,17

NOTE: For 2013, the XTX200 body (11) was changed to fit a new body decal (29). If ordering the new 2013 body make sure to order the 2013 decal for a proper fit.

Key #	Part #	Description	Key #	Part #	Description
-----	AP0241/AA	Service Kit, Diaphragm First Stage	13 ----	AP5721	Removable HP Valve Seat (Crown)
-----	AP0363F	XTX200, First Stage only, w/Yoke	14 ----	AP1419	HP Valve
-----	AP0363F1	XTX200, First Stage only, w/DIN	15 ----	AP1415	Spring
-----	AP0620	DIN Connector, Comolded, Tungsten, XTX	16 ----	AP1299P	O-ring (10 pk)
-----	AP02741	5th Port Upgrade Kit, XTX only	17 ----	AP1300P	O-ring (10 pk)
1 ----	AP1484	Environmental End Cap, Chrome, XTX	18 ----	AP5309B	HP Balance Plug, Chrome, XTX, Tungsten
-----	AP1484PVDS	Environmental End Cap, PVD, Tungsten	19 ----	AP1403	Yoke Clamp, Chrome, XTX
2 ----	AP1482F1	Hydrostatic Diaphragm, XTX (3-color)	-----	AP1403PVDS	Yoke Clamp, PVD, Tungsten
-----	AP14821	Hydrostatic Diaphragm, XTX	20 ----	AP1472	Conical Filter
-----	AP1482T	Hydrostatic Diaphragm, Tungsten	21 ----	AP1407	Yoke Clamp Connector, Chrome, XTX, Tungsten
3 ----	AP1483	Hydrostatic Transmitter	22 ----	AP1406/1	Filter Guard
4 ----	AP1474	Spring Adjuster	23 ----	AP1404	Protective Cap
5 ----	AP5725	Molded Logo Ring, XTX	24 ----	AP1166P	O-ring (10 pk)
6 ----	AP14731	Diaphragm Clamp, Chrome, XTX	25 ----	AP1402	Yoke Clamp Screw, Comolded
7 ----	AP1475	Spring	26 ----	AP6201	Handwheel, 300 Bar, XTX, Tungsten
8 ----	AP1476	Spring Carrier	27 ----	AP1471	Handwheel Connector, Chrome, XTX, Tungsten
9 ----	AP1478	Diaphragm	28 ----	AP6202	Protective Cap, DIN
10 ----	AP5722	Valve Lifter	29 ----	AP63081200	Decal, Body, XTX200 (2013)
11 ----	AP5101F	Body, Chrome, XTX (2013)	-----	AP5723	Decal, Body, XTX200
-----	AP5101	Body, Chrome, XTX	-----	AP6239F	Decal, Body, XTX Tungsten (2013)
-----	AP5101FPVDS	Body, XTX Tungsten (2013)	-----	AP6239	Decal, Body, XTX Tungsten
-----	AP5101PVDS	Body, XTX Tungsten	30 ----	AP1413	7/16" HP Blanking Plug
12 ----	AP1409P	O-ring (10 pk)	31 ----	AP1445P	O-ring (10 pk)
			32 ----	AP1408	3/8" MP Blanking Plug

Part numbers in **BOLD ITALICS** indicate standard overhaul replacement part.

XTX100 2006-Present



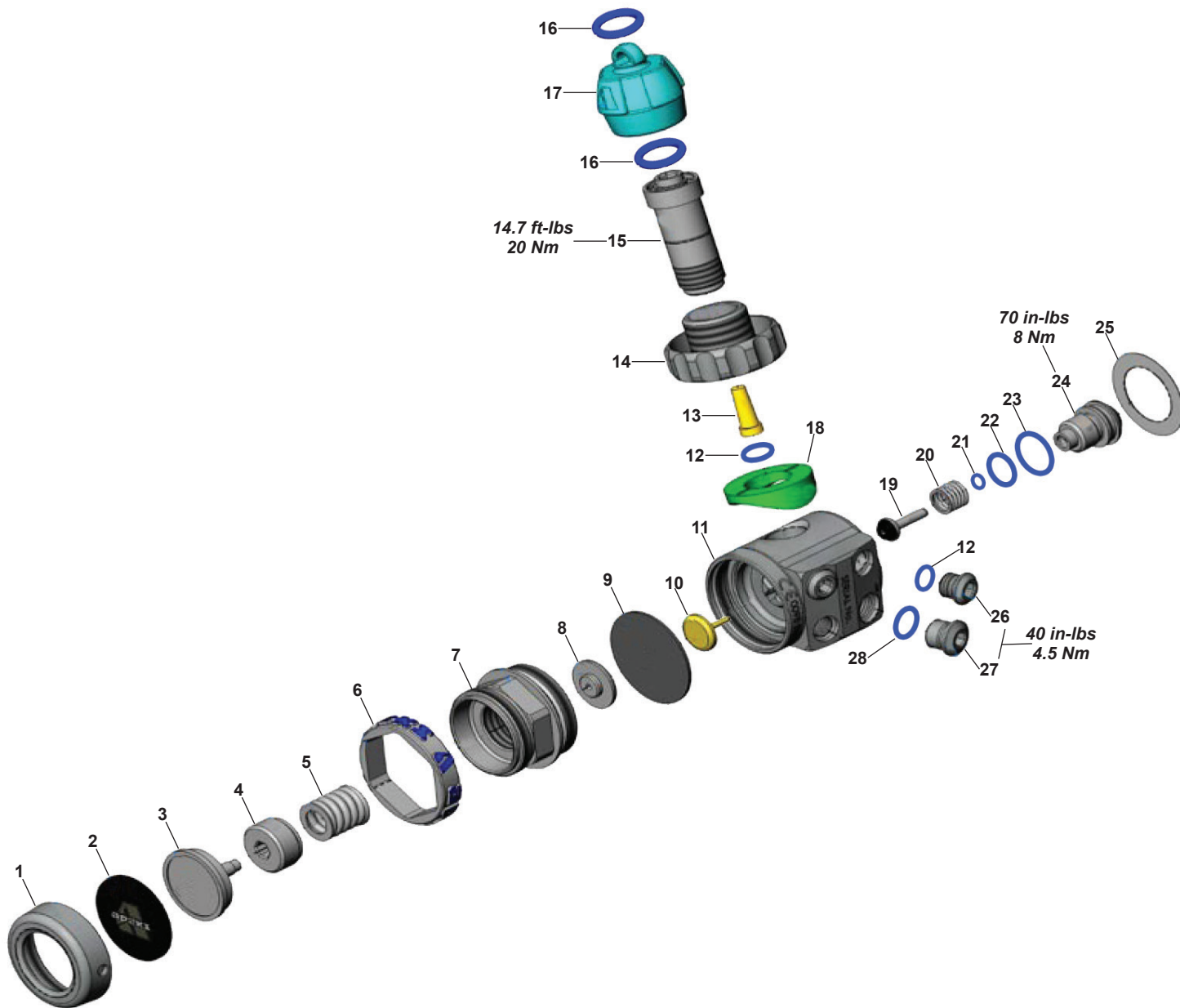
5th Port Upgrade Kit
AP02741
Comes w/#'s 12,14,15,16

NOTE: For 2013, the XTX 100 body (11) was changed to fit a new body decal (28). If ordering the new 2013 body make sure to order the 2013 decal for a proper fit.

Key #	Part #	Description	Key #	Part #	Description
-----	AP0241/AA	Service Kit, Diaphragm First Stage	14 ----	AP1299P	O-ring (10 pk)
-----	AP0362F	XTX100, First Stage only, w/Yoke	15 ----	AP1409P	O-ring (10 pk)
-----	AP0211/S	DIN Connector	16 ----	AP1300P	O-ring (10 pk)
-----	AP02741	5th Port Upgrade Kit, XTX only	17 ----	AP5309	HP Balance Plug
1 ----	AP1484/S	Environmental End CAP	18 ----	AP1403/S	Yoke Clamp
2 ----	AP1482F1	Hydrostatic Diaphragm, XTX (3-color)	19 ----	AP1472	Conical Filter
-----	AP14821	Hydrostatic Diaphragm, XTX	20 ----	AP1407/S	Yoke Clamp Connector
3 ----	AP1483	Hydrostatic Transmitter	21 ----	AP1406/1	Filter Guard
4 ----	AP1474	Spring Adjuster	22 ----	AP1404	Protective CAP
5 ----	AP5725	Molded Logo Ring, XTX	23 ----	AP1166P	O-ring (10 pk)
6 ----	AP14731	Diaphragm Clamp, XTX	24 ----	AP1402	Yoke Clamp Screw, Comolded
7 ----	AP1475	Spring	25 ----	AP1470/S	Handwheel 300 bar
8 ----	AP1476	Spring Carrier	26 ----	AP1471/S	Handwheel Connector
9 ----	AP1478	Diaphragm	27 ----	AP6202	Protective DIN CAP
10 ----	AP1479	Valve Lifter	28 ----	AP6308100	Decal, Body (2013)
11 ----	AP5102F	Body, FST, 3/8" MP Port, XTX (2013)	-----	AP5014	Decal, Body
-----	AP5102	Body, FST, 3/8" MP Port, XTX	29 ----	AP1445P	O-ring (10 pk)
12 ----	AP1419	HP Valve	30 ----	AP1413	7/16" HP Blanking Plug
13 ----	AP1415	Spring	31 ----	AP1408	3/8" MP Blanking Plug

Part numbers in **BOLD ITALICS** indicate standard overhaul replacement part.

TEK 3
2007-Present

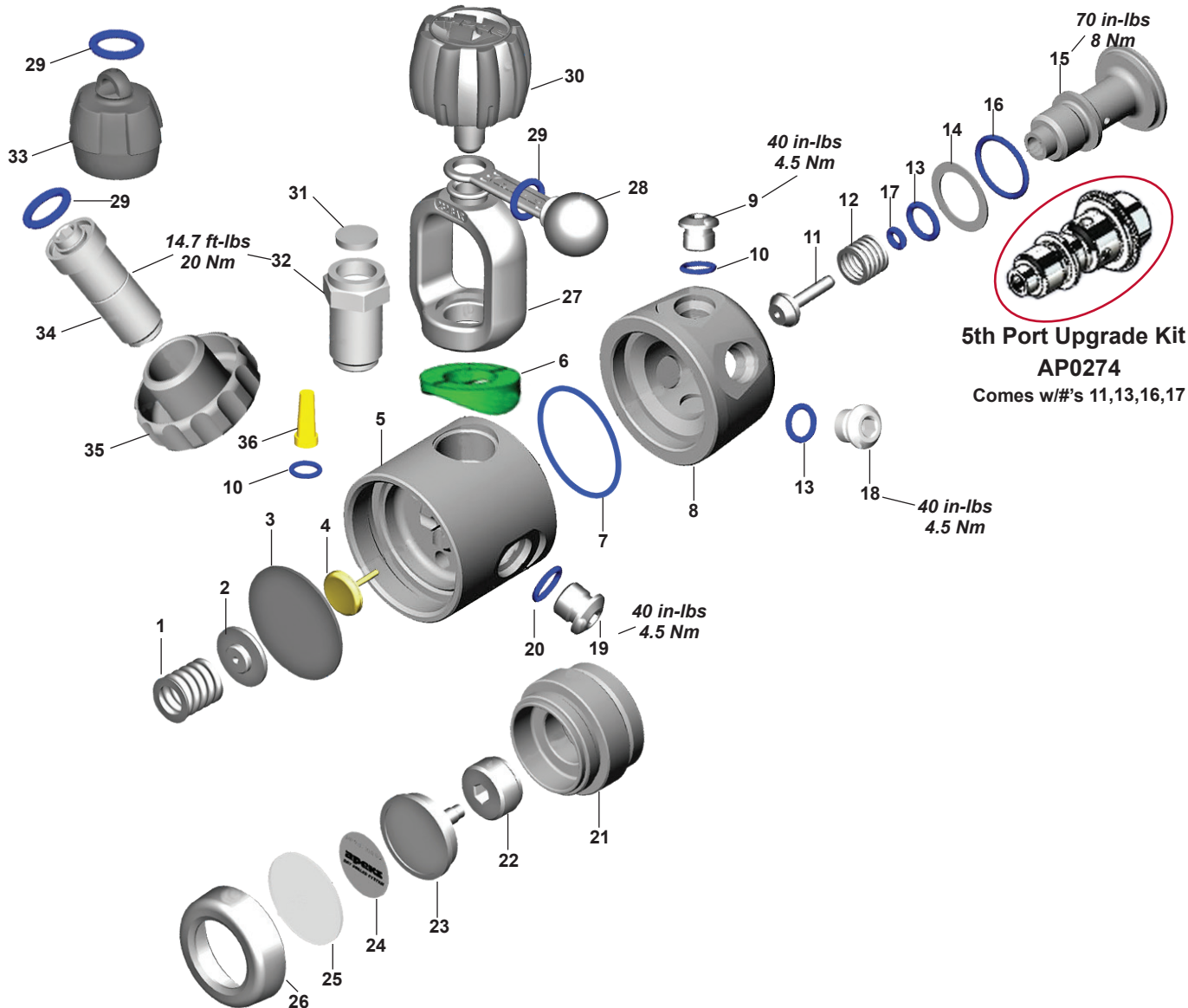


Key #	Part #	Description
-----	AP0241/AA	Service Kit, Diaphragm First Stage
-----	AP0367-1	TEK3 First Stage Set
-----	AP0211	DIN Connector
1----	AP1484	Environmental End Cap, Chrome
2----	AP14821	Hydrostatic Diaphragm
3----	AP1483	Hydrostatic Transmitter
4----	AP1474	Spring Adjuster
5----	AP1475	Spring
6----	AP5725	Molded Logo Ring
7----	AP14731	Diaphragm Clamp, Chrome
8----	AP1476	Spring Carrier
9----	AP1478	Diaphragm
10----	AP1479	Valve Lifter
11----	AP5104	TEK3 LH Valve Body
----	AP5105	TEK3 RH Valve Body
12----	AP1409P	O-ring (10 pk)

Key #	Part #	Description
13----	AP1472	Conical Filter
14----	AP1470	DIN Handwheel, Chrome
15----	AP1471	Handwheel Connector, Chrome
16----	AP1166P	O-ring (10 pk)
17----	AP6202	DIN Protective Cap
18----	AP1446	Distance Piece
19----	AP1419	HP Valve
20----	AP1415	Spring
21----	AP1299P	O-ring (10 pk)
22----	AP1410P	O-ring (10 pk)
23----	AP1300P	O-ring (10 pk)
24----	AP5202	HP Balance Plug
25----	AP5106	TEK3 Decal
26----	AP1408	3/8" UNF Blanking Plug
27----	AP1413	7/16" UNF Blanking Plug
28----	AP1445P	O-ring (10 pk)

Part numbers in **BOLD ITALICS** indicate standard overhaul replacement part.

XTX50/40 2006-Present
ATX50/40 2002-2007 discontinued • TX50 2001 discontinued



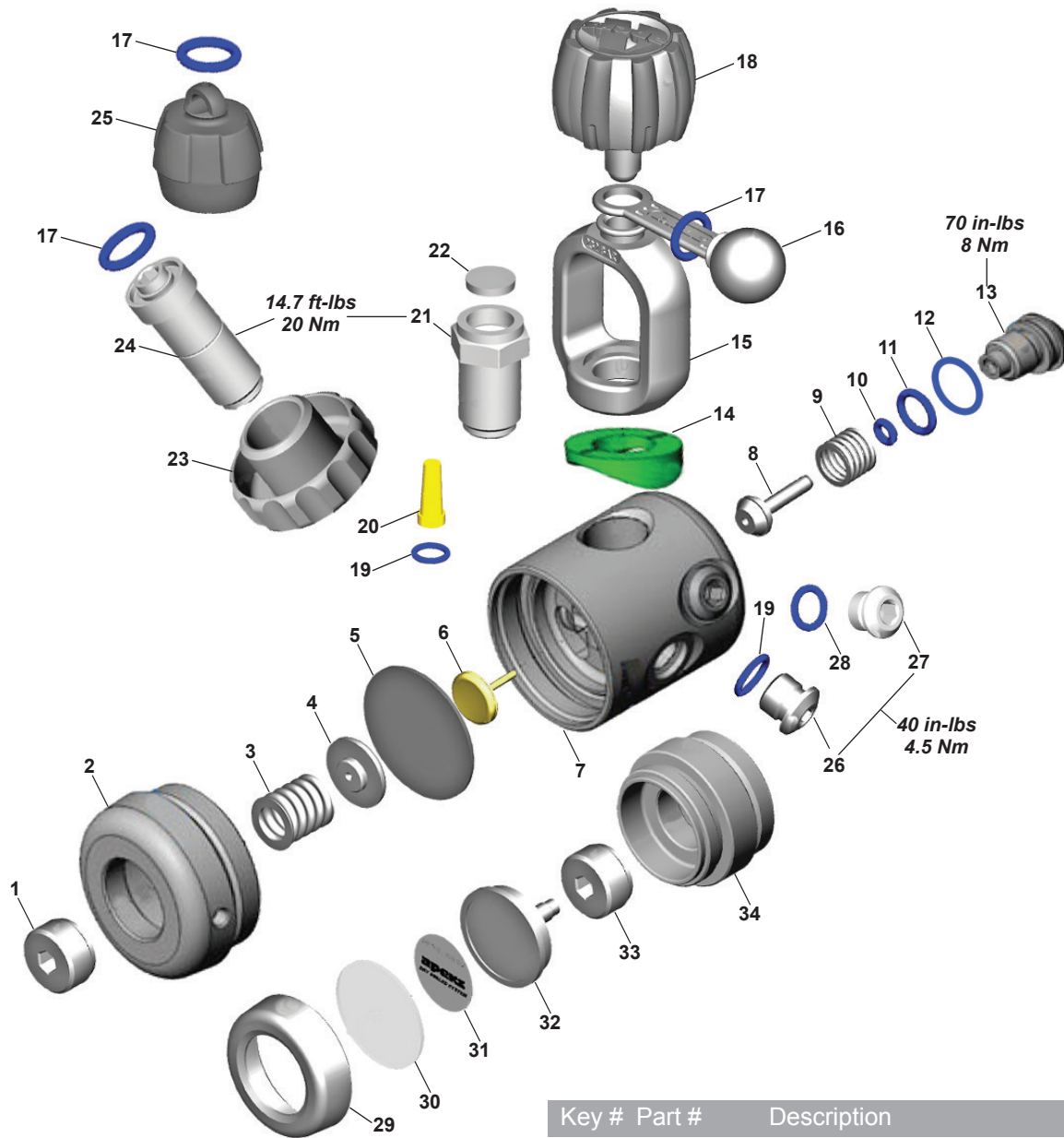
**5th Port Upgrade Kit
 AP0274**
 Comes w/#'s 11,13,16,17

Key #	Part #	Description
-----	AP0241/AA	Service Kit, Diaphragm First Stage
-----	AP0361F	XTX50, First Stage only, w/Yoke
-----	AP0361F1	XTX50, First Stage only, w/DIN
-----	AP0274	5-Port Turret Upgrade Kit
-----	AP0211	Din Connector
1 ----	AP1475	Spring
2 ----	AP1476	Spring Carrier
3 ----	AP1478	Diaphragm
4 ----	AP1479	Valve Lifter
5 ----	AP1480F	Body w/Lazer Graphic
6 ----	AP1446	Distance Piece
7 ----	AP1420P	O-ring (10 pk)
8 ----	AP5103	Turret with 3/8" MP Port, XTX
-----	AP1481	Turret with 1/2" MP Port, ATX/TX
9 ----	AP1408	Blanking Plug 3/8"
10 ----	AP1409P	O-ring (10 pk)
11 ----	AP1419	HP Valve
12 ----	AP1415	Spring
13 ----	AP1410P	O-ring (10 pk)
14 ----	AP1414	Thrust Washer
15 ----	AP1486	Turret Retaining Bolt

Key #	Part #	Description
16 ----	AP1438P	O-ring (10 pk)
17 ----	AP1299P	O-ring (10 pk)
18 ----	AP1487	Blanking Plug 1/2", ATX, TX
19 ----	AP1413	Blanking Plug 7/16"
20 ----	AP1445P	O-ring (10 pk)
21 ----	AP1473	Diaphragm Clamp
22 ----	AP1474	Spring Adjuster
23 ----	AP1483	Hydrostatic Transmitter
24 ----	AP1477F	Decal
25 ----	AP1482	Hydrostatic Diaphragm
26 ----	AP1484	Environmental End Cap
27 ----	AP1403	Yoke Clamp
28 ----	AP1404	Protective Cap
29 ----	AP1166P	O-ring (10 pk)
30 ----	AP1402	Yoke Clamp Screw, Comolded
31 ----	AP1406/1	Filter Guard
32 ----	AP1407	Yoke Clamp Connector
33 ----	AP6202	Protective Cap DIN
34 ----	AP1471	Handwheel Connector
35 ----	AP1470	Handwheel 300 Bar
36 ----	AP1472	Conical Filter

Part numbers in **BOLD ITALICS** indicate standard overhaul replacement part.

XTX20 • AT20 • DS4
2002-Present



Key # Part # Description

Key # Part # Description

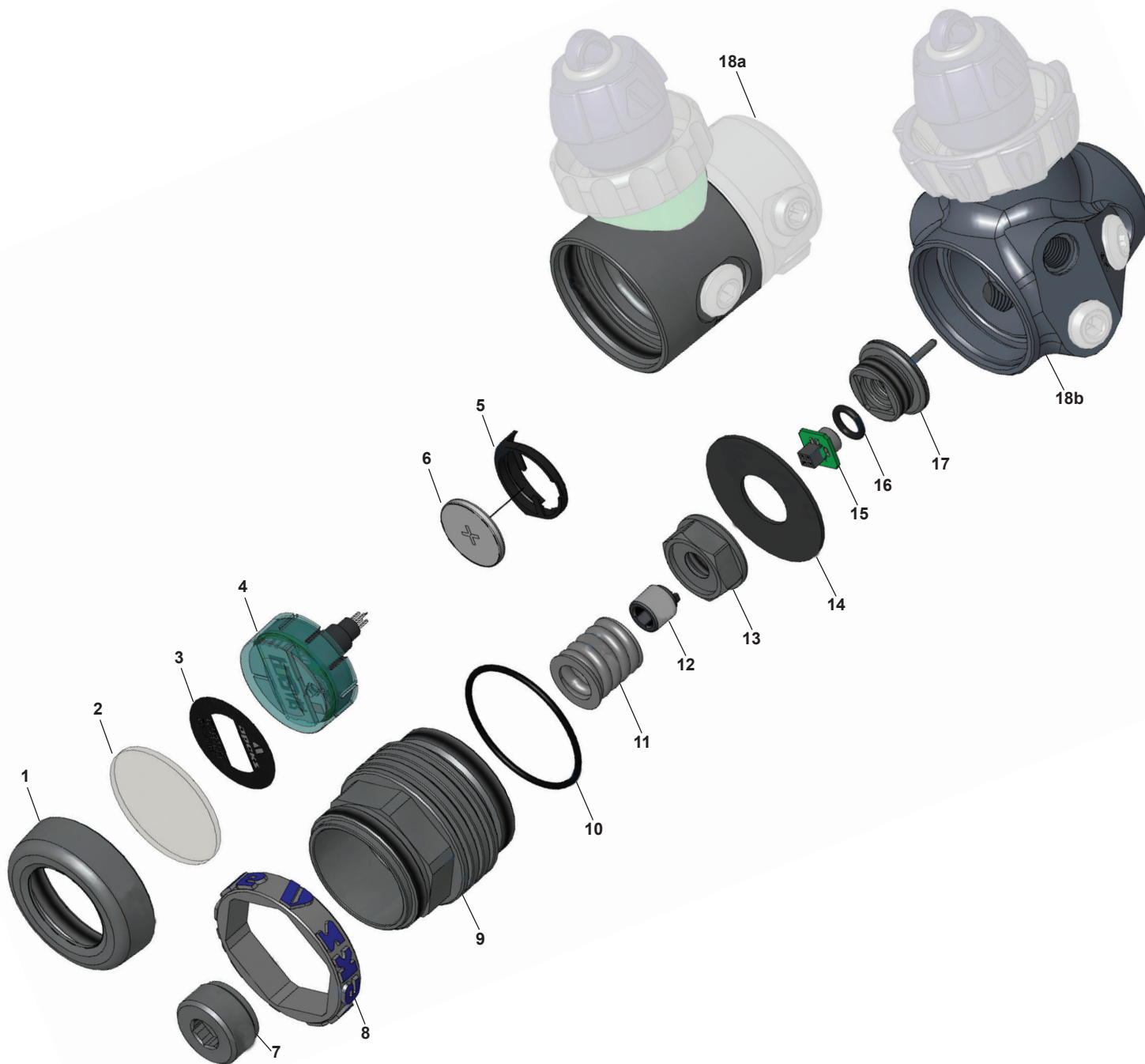
- **AP0241/AA** **Service Kit, Diaphragm First Stages**
- AP0527 DS4 First Stage, Yoke, Dry Kit
- AP0528 DS4 First Stage, DIN, Dry Kit
- AP0517 US4 First Stage, Yoke, w/o Dry Kit
- AP0211 DIN Connector Kit
- 1---- AP14741 Spring Adjuster
- 2---- AP1485 Diaphragm Cap.US4
- 3---- AP1475 Spring
- 4---- AP1476 Spring Carrier
- 5---- AP1478 Diaphragm**
- 6---- AP1479 Valve Lifter
- 7---- AP5201 Body
- 8---- AP1419 HP Valve**
- 9---- AP1415 Spring
- 10---- AP1299P O-ring (10 pk)**
- 11---- AP1410P O-ring (10 pk)**
- 12---- AP1300P O-ring (10 pk)**
- 13---- AP5202 HP Balance Plug

- 14---- AP1446 Distance Piece
- AP1446G Distance Piece, Nitrox, Green
- 15---- AP1403 Yoke Clamp
- 16---- AP1404 Protective Cap
- 17---- AP1166P O-ring (10 pk)**
- 18---- AP1402 Yoke Clamp Screw, Comolded
- 19---- AP1409P O-ring (10 pk)**
- 20---- AP1472 Conical Filter**
- 21---- AP1407 Yoke Clamp Connector
- 22---- AP1406/1 Filter Guard**
- 23---- AP1470 Handwheel 300 Bar, Chrome
- 24---- AP1471 Handwheel Connector, Chrome
- 25---- AP6202 DIN Protective Cap
- 26---- AP1408 3/8" UNF Blanking Plug
- 27---- AP1413 7/16" UNF Blanking Plug
- 28---- AP1445P O-ring (10 pk)**
- 29---- AP1484 Environmental Cap
- 30---- AP1482 Hydrostatic Diaphragm**
- 31---- AP1477F Decal
- AP14771 Decal, Nitrox
- 32---- AP1483 Hydrostatic Transmitter
- 33---- AP1474 Spring Adjuster
- 34---- AP1473 Diaphragm Clamp, DS4

Part numbers in **BOLD ITALICS** indicate standard overhaul replacement part.

Status

2007-2008 discontinued



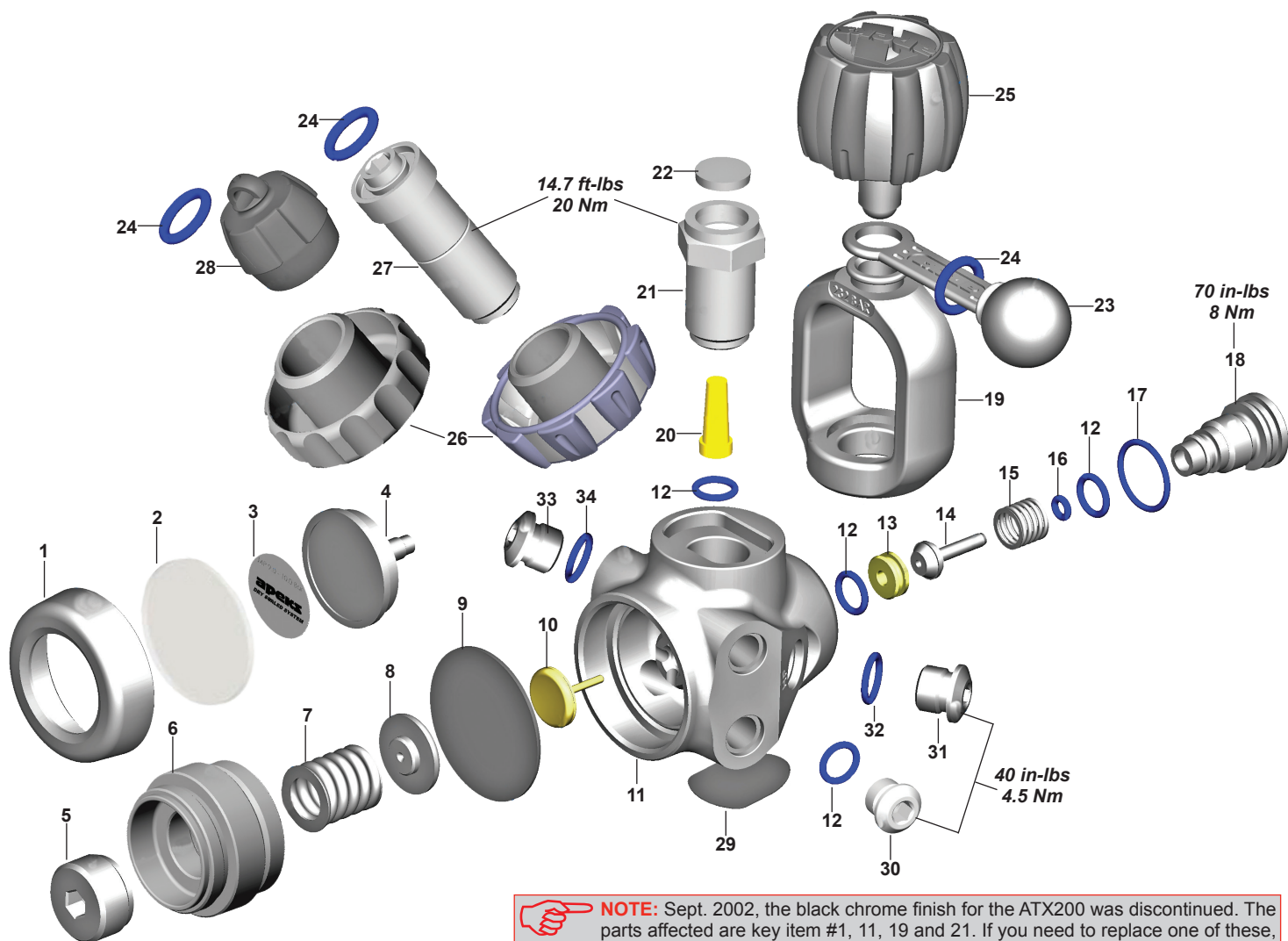
Key #	Part #	Description
-----	AP0227/AA	Service Kit, Status First Stage
-----	AP0228	Electronic Replacement Kit (Includes 3, 4, 6, 15)
1----	AP1484	Environmental End Cap
2----	AP1482	Hydrostatic Diaphragm
3----	AP7510	Status Decal
4----	N/A	Main Electronic Unit
5----	AP7518	Battery Carrier
6----	103105	CR2025 Battery, Coin Cell, Lithium
7----	AP7508	Spring Adjuster
8----	AP5725	Logo Ring
9----	AP7507	Diaphragm Clamp

Key #	Part #	Description
10----	AP7520	O-ring
11----	AP1475	Spring
12----	AP7506	Location Plug
13----	AP7505	Clamping Nut
14----	AP7501	Diaphragm Ring
15----	N/A	Pressure Sensor
16----	AP7502	O-ring
17----	AP7512	Status Valve Lifter (XTX 50)
-----	AP7500	Status Valve Lifter (XTX 200)
18a---	AP1480F	XTX50 Body w/Lazer Graphic
18b---	AP5101	XTX200 Body

Part numbers in **BOLD ITALICS** indicate standard overhaul replacement part.

ATX200

2002-2008 discontinued



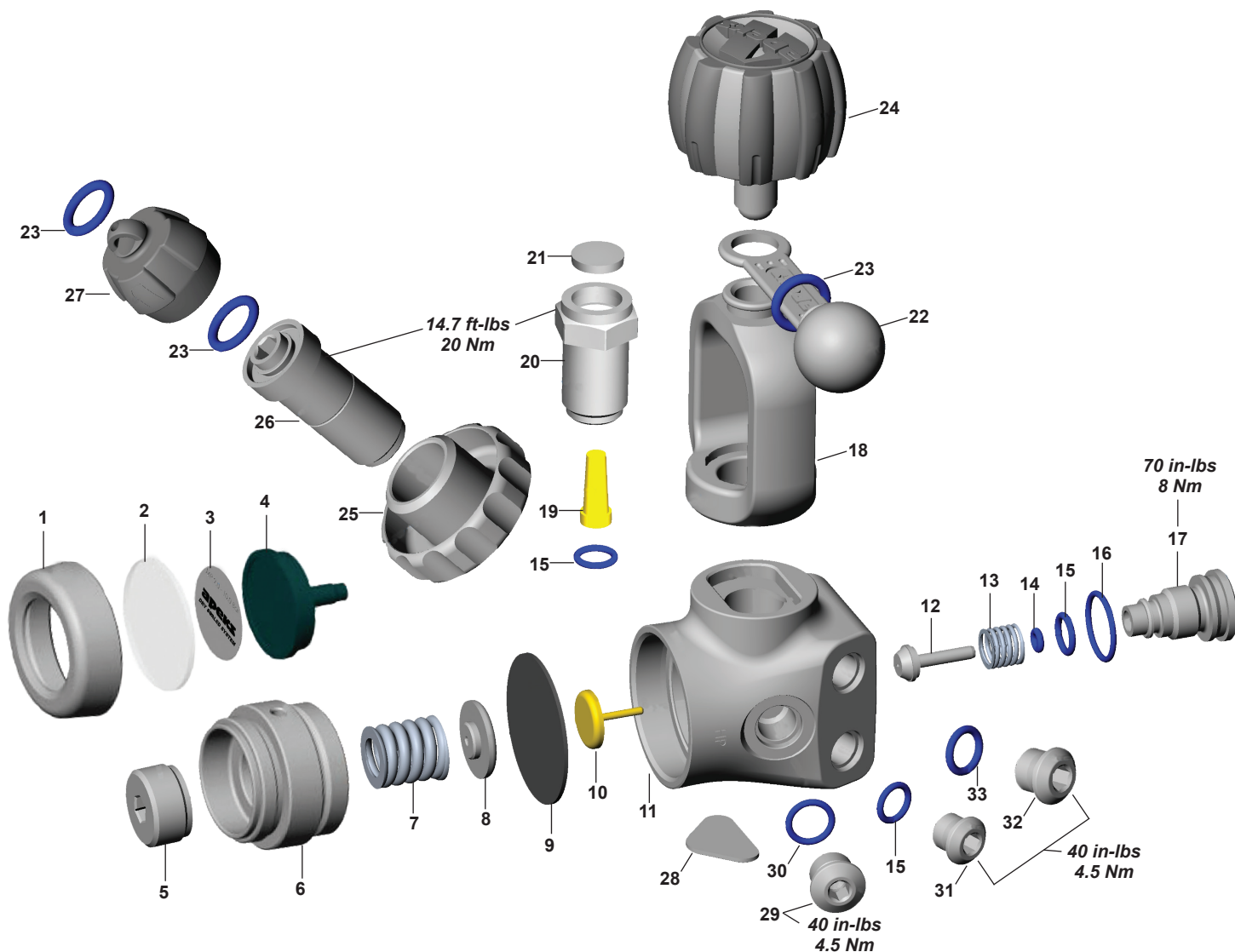
NOTE: Sept. 2002, the black chrome finish for the ATX200 was discontinued. The parts affected are key item #1, 11, 19 and 21. If you need to replace one of these, you will need to order the part in satin or chrome finish.

Key #	Part #	Description	Key #	Part #	Description
-----	AP0241/AA	Service Kit, Diaphragm First Stage	18 ----	AP5309	HP Balance Plug, Satin
-----	AP0211/S	DIN Connector, Satin, ATX	-----	AP5309B	HP Balance Plug, Chrome, Tungsten
-----	AP0620	DIN Connector, Comolded, Tungsten	19 ----	AP1403/S	Yoke Clamp, Satin
1 ----	AP1484/S	Environmental End Cap, Satin	-----	AP1403PVDS	Yoke Clamp, PVD, Tungsten
-----	AP1484PVDS	Environmental End Cap, PVD, Tungsten	20 ---- AP1472		Conical Filter
2 ---- AP1482		Hydrostatic Diaphragm, ATX	21 ----	AP1407/S	Yoke Clamp Connector, Satin
-----	AP14821	Hydrostatic Diaphragm, Tungsten	-----	AP1407	Yoke Clamp Connector, Chrome, Tungsten
3 ----	AP1477F	Decal	22 ---- AP1406/1		Filter Guard
4 ----	AP1483	Hydrostatic Transmitter	23 ----	AP1404	Protective Cap
5 ----	AP1474	Spring Adjuster	24 ---- AP1166P		O-ring (10 pk)
6 ----	AP1473	Diaphragm Clamp, Satin	25 ----	AP1402	Yoke Clamp Screw, Comolded
7 ----	AP1475	Spring	-----	AP1402	Yoke Clamp Screw, Satin
8 ----	AP1476	Spring Carrier	26 ----	AP1470/S	Handwheel, 300 Bar, Satin
9 ---- AP1478		Diaphragm	-----	AP6201	Handwheel, 300 Bar, Tungsten
10 ----	AP5722	Valve Lifter	27 ----	AP1471/S	Handwheel Connector, Satin
11 ----	AP5101	Body, Chrome, XTX	-----	AP1471	Handwheel Connector, Chrome, Tungsten
-----	AP5101PVDS	Body, XTX Tungsten	28 ----	AP6202	Protective Cap, DIN
12 ---- AP1409P		O-ring (10 pk)	29 ----	AP5723	Decal, Body
13 ----	AP5721	Removable HP Valve Seat (Crown)	-----	AP5739	Decal, Body, Tungsten
14 ---- AP1419		HP Valve	30 ----	AP1408	3/8" MP Blanking Plug
15 ----	AP1415	Spring	31 ----	AP1413	7/16" HP Blanking Plug
16 ---- AP1299P		O-ring (10 pk)	32 ---- AP1445P		O-ring (10 pk)
17 ---- AP1300P		O-ring (10 pk)	33 ----	AP1487	1/2" MP Blanking Plug
			34 ---- AP1410P		O-ring, ATX (10 pk)

Part numbers in **BOLD ITALICS** indicate standard overhaul replacement part.

ATX100

2004-2006 discontinued

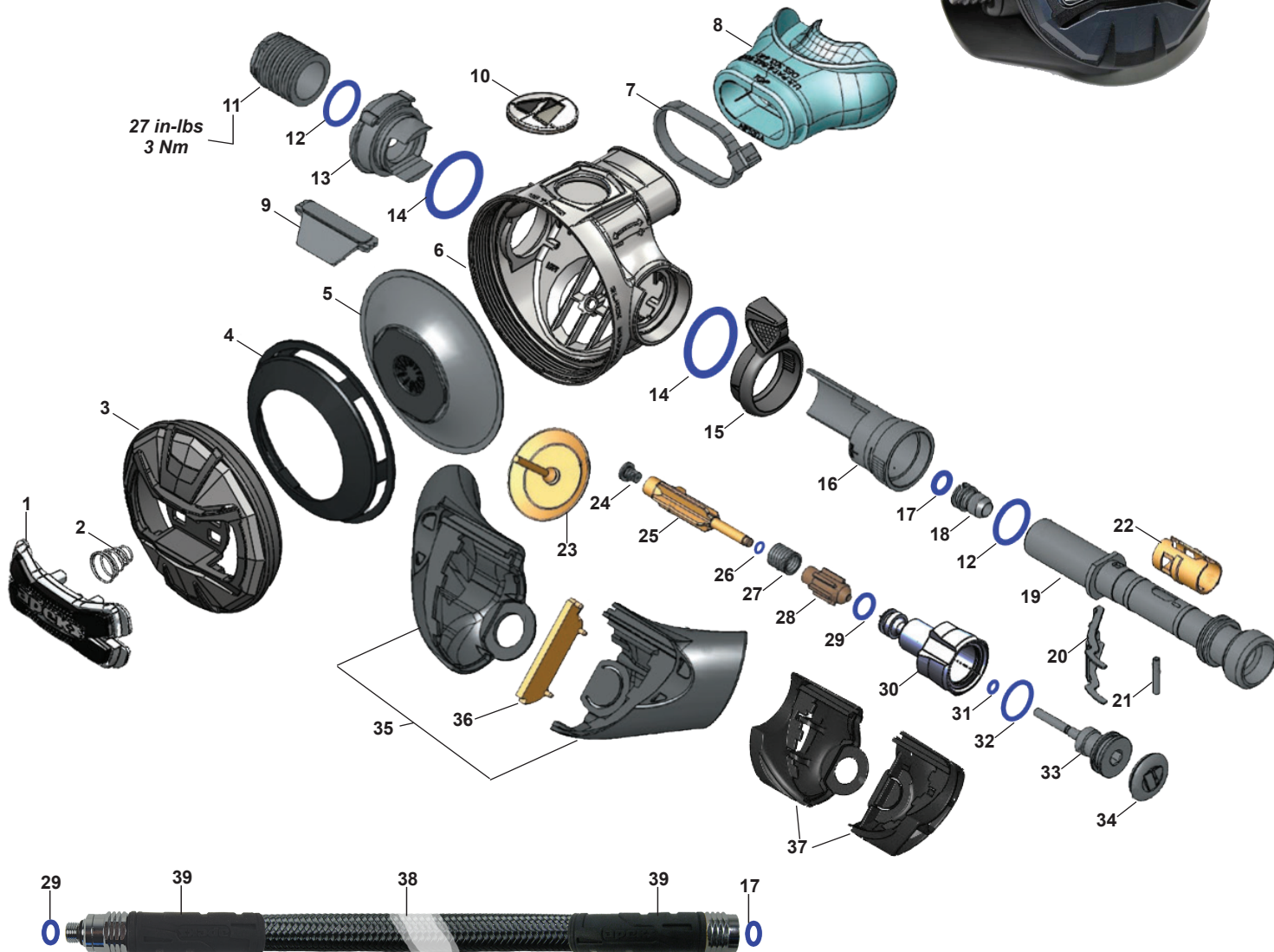


Key #	Part #	Description
-----	AP0241/AA	Service Kit, Diaphragm First Stage
-----	AP0211/S	DIN Connector
1 ----	AP1484/S	Environmental End Cap, Satin
2 ----	AP1482	Hydrostatic Diaphragm, ATX
3 ----	AP1477F	Environmental Decal
4 ----	AP1483	Hydrostatic Transmitter
5 ----	AP1474	Spring Adjuster
6 ----	AP1473	Diaphragm Clamp, Satin
7 ----	AP1475	Spring
8 ----	AP1476	Spring Carrier
9 ----	AP1478	Diaphragm
10 ----	AP1479	Valve Lifter
11 ----	AP5102	Body, Satin
12 ----	AP1419	HP Valve
13 ----	AP1415	Spring
14 ----	AP1299P	O-ring (10 pk)
15 ----	AP1409P	O-ring (10 pk)

Key #	Part #	Description
16 ----	AP1300P	O-ring (10 pk)
17 ----	AP5309	HP Balance Plug, Satin
18 ----	AP1403/S	Yoke Clamp, Satin
19 ----	AP1472	Conical Filter
20 ----	AP1407/S	Yoke Clamp Connector, Satin
21 ----	AP1406/1	Filter Guard
22 ----	AP1404	Protective CAP
23 ----	AP1166P	O-ring (10 pk)
24 ----	AP1402	Yoke Clamp Screw, Satin
25 ----	AP1470/S	Handwheel, Satin, 300 bar
26 ----	AP1471/S	Handwheel Connector, Satin
27 ----	AP6202	Protective DIN CAP
28 ----	AP5014	Decal, Body
29 ----	AP1413	7/16" HP Blanking Plug
30 ----	AP1445P	O-ring (10 pk)
31 ----	AP1408	3/8" MP Blanking Plug
32 ----	AP1487	1/2" MP Blanking Plug
33 ----	AP1410P	O-ring (10 pk)

Part numbers in **BOLD ITALICS** indicate standard overhaul replacement part.

Black Sapphire 2015-Present



Key #	Part #	Description	Key #	Part #	Description
-----	AP0219/AA	Universal Second Stage Repair Kit	20	AP2035	Lever
1	AP0624BS	Purge Button w/Spring, Blk Sapphire	21	AP1151	Spring Pin
2	AP6222	Spring	22	AP6215	Spindle Collar
3	AP7314	Case Cover, Blk Sapphire	23	AP6223	Exhaust Valve
4	AP5802	Diaphragm Cover, Black	24	AP2034	MP Seat, Silicone
5	AP5803	Diaphragm	25	AP2036	Shuttle Valve
6	AP7317	Case	26	AP2041P	O-ring (10 pk)
7	104913	Mouthpiece Clamp	27	AP2021	Spring
8	AP5324K	Comfobite Mouthpiece	28	AP2038SQ	Counter-Balance Cylinder
9	AP2037	Deflector	29	AP1409P	O-ring (10 pk)
10	AP7318	Decal	30	AP7316	Adjusting Screw
11	AP5013PVD	Heat Exchanger, PVD	31	AP5711P	O-ring (10 pk)
12	AP1267P	O-ring (10 pk)	32	AP1159P	O-ring (10 pk)
13	AP6211	Blanking Piece	33	AP6578	Spring Adjuster
14	AP1438P	O-ring (10 pk)	34	AP5830	Plug
15	AP6309	Venturi Lever	35	AP6220K	Large Exhaust Tee, Set
16	AP6213	Venturi Lever Body	36	AP6230	Exhaust Rib
17	AP1154P	O-ring (10 pk)	37	AP6219K	Small Exhaust Tee, Set
18	AP2033	Seat	38	AP0198DSW	Hose, Double Swivel 3/8" X 30"
19	AP6216	Valve Spindle, Chrome	39	AP6236	Hose Protector, Black (for Flex Hose)

Part numbers in **BOLD ITALICS** indicate standard overhaul replacement part.

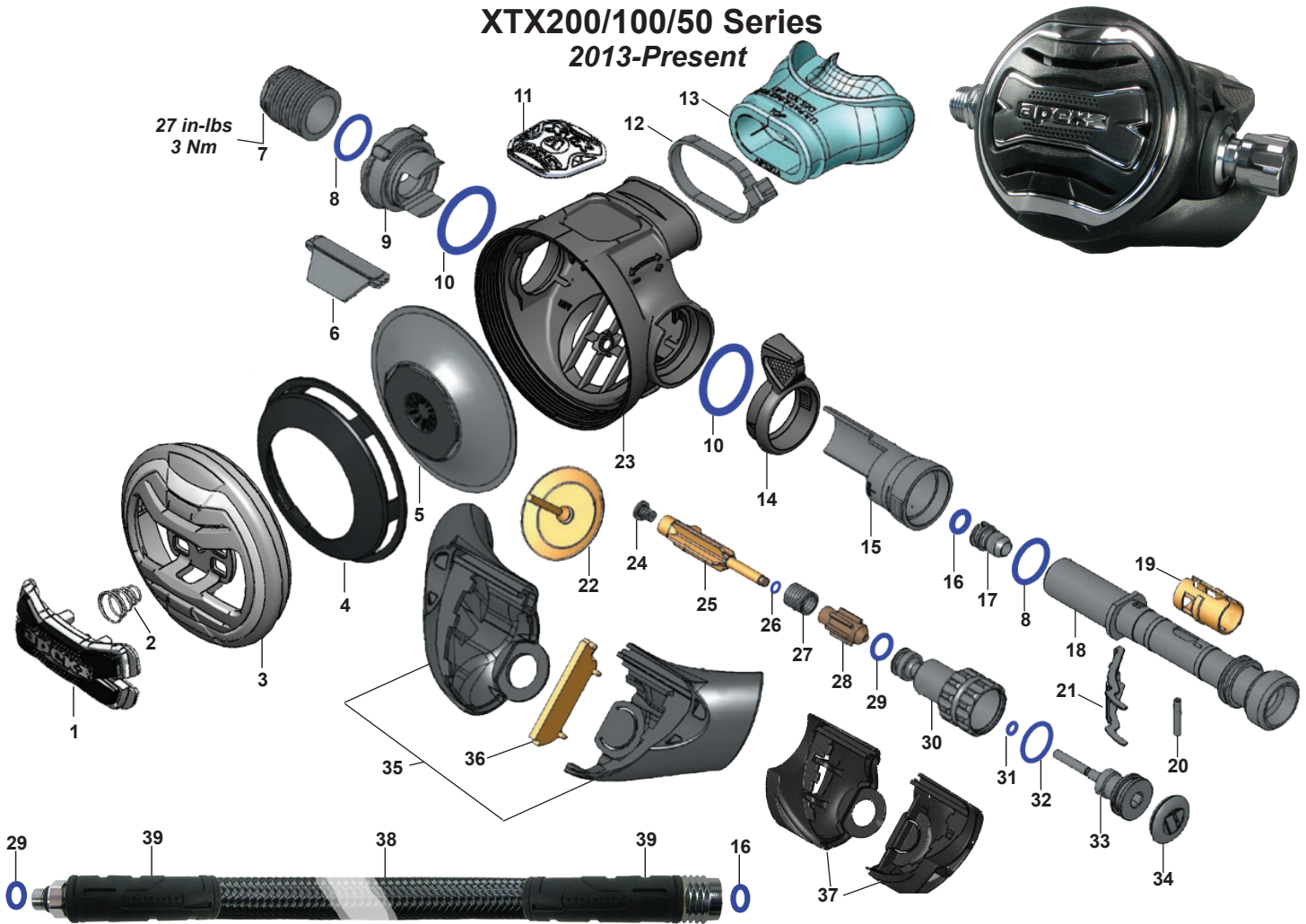
**Flight Series
2010-Present**



Key #	Part #	Description	Key #	Part #	Description
----	AP0254	Flight Second Stage Repair Kit	12 ----	129154	Mouthpiece Clamp
----	AP0811	Flight, Second Stage only, Pewter	13 ----	AP5324K	Mouthpiece, Comfobite, Std.
----	AP0811TL	Flight, Second Stage only, Twilight	----	127826	Mouthpiece, Comfobite, Small
----	AP0811P	Flight, Second Stage only, Pink	----	104138	Mouthpiece, Standard, Octopus
1 ----	AP7589	Purge Clamp Ring (for Pewter Model)	14 ----	AP7581	Spindle Body
----	AP7589F	Purge Clamp Ring (for Pink & Twilight Model)	15 ----	AP7570	Micro Adjuster Screw
----	AP7589G	Purge Clamp Ring (Green)	16 ----	AP7582	Spindle Adjuster Sleeve
----	AP7589Y	Purge Clamp Ring (Yellow)	17 ----	AP7584	Spring Carrier
2 ----	AP0175M	Front Cover Assembly (for Pewter/Octo)	18 ----	AP2021	Spring
----	AP0175T	Front Cover Assembly (for Green Model)	19 ---- AP5711P		O-ring (10 pk)
----	AP0175TL	Front Cover Assembly (for Twilight Model)	20 ----	AP5707	Shuttle Valve
----	AP0175F	Front Cover Assembly (for Pink Model)	21 ---- AP2034		MP Seat, Silicone
3 ----	AP7577	Inner Locking Ring	22 ----	AP2035	Lever
4 ----	AP7592	Friction Ring	23 ---- AP1154P		O-ring (10 pk)
5 ----	AP100181	Diaphragm	24 ----	AP7563	Seat
6 ----	AP7590	Case	25 ----	AP7586	Inlet Fitting
7 ----	AP7578	Exhaust Tee	26 ----	AP7595	Locking Slide Ring
8 ----	AP6223	Exhaust Valve	27 ----	AP6236	Hose Protector, Black (for Flex Hose)
9 ---- AP1267P		O-ring (10 pk)	----	AP6236Y	Hose Protector, Yellow (for Flex Hose)
10 ----	AP7579	Venturi Lever	28 ----	AP0200	Hose, Flex, 3/8" X 29" Black, w/Hose Protectors
11 ----	AP7596B	Insert Logo (Black)	----	AP0201	Hose, Flex, 3/8" X 36" Yellow, w/Hose Protectors
----	AP7596P	Insert Logo (Pink)	29 ----	AP7100	Hose Protector, Black (for Flex Hose)
----	AP7596G	Insert Logo (Green)	----	AP7100Y	Hose Protector, Yellow (for Flex Hose)
----	AP7596Y	Insert Logo (Yellow)	30 ---- AP1409P		O-ring (10 pk)

Part numbers in **BOLD ITALICS** indicate standard overhaul replacement part.

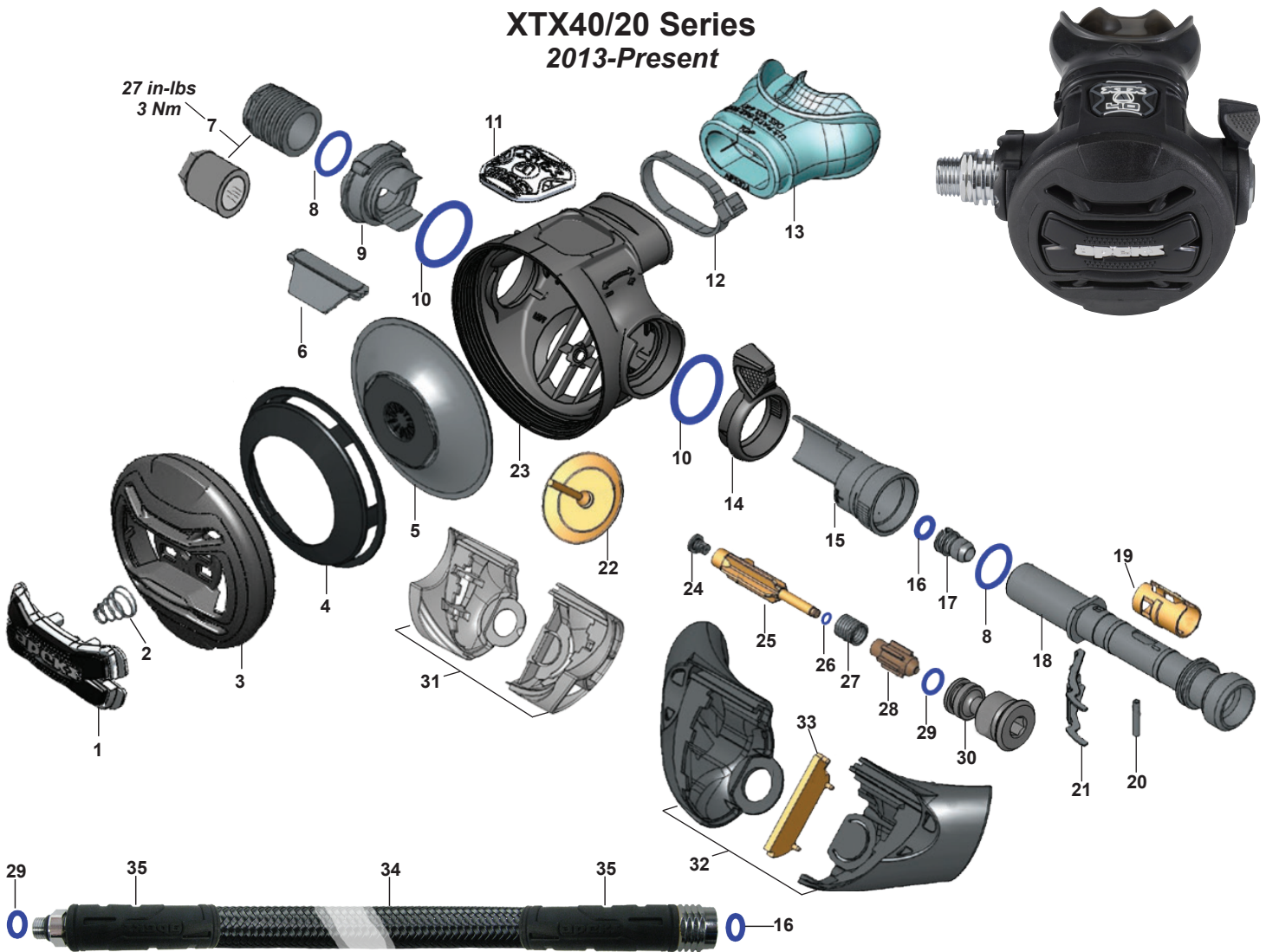
**XTX200/100/50 Series
2013-Present**



Key #	Part #	Description	Key #	Part #	Description
-----	AP0219/AA	Universal Second Stage Repair Kit	13	AP5324K	Comfobite Mouthpiece
-----	AP0354F	XTX200 Tungsten, Second Stage	14	AP6309	Venturi Ring
-----	AP0353F2	XTX200, Second Stage	-----	AP6309Y	Venturi Ring, Yellow, Octopus
-----	AP0352F	XTX50, Second Stage	15	AP6213	Venturi Lever Body
1	AP0624	Purge Button, Chrome, Tungsten/XTX200,w/Spring	16	AP1154P	O-ring (10 pk)
-----	AP0624S	Purge Button, Satin, XTX100, w/Spring	17	AP2033	Seat
-----	AP0624B	Purge Button, Black, XTX50, w/Spring	18	AP6216	Valve Spindle, Chrome, Tungsten/XTX200/50
-----	AP0624Y	Purge Button, Yellow, XTX50 Octopus, w/Spring	-----	AP6216S	Valve Spindle, Satin, XTX100
2	AP6222	Spring	19	AP6215	Spindle Collar
3	AP6302PVDS	Case Cover, Tungsten	20	AP1151	Spring Pin
-----	AP6302	Case Cover, XTX200	21	AP2035	Lever
-----	AP6302S	Case Cover, XTX100	22	AP6223	Exhaust Valve
-----	AP6301	Case Cover, XTX50	23	AP6300	Case
-----	AP6301Y	Case Cover, Octopus, Yellow	24	AP2034	MP Seat, Silicone
4	AP5802	Diaphragm Cover, Black	25	AP2036	Shuttle Valve
-----	AP5802/C	Diaphragm Cover, Chrome, XTX50	26	AP2041P	O-ring (10 pk)
5	AP5803	Diaphragm	27	AP2021	Spring
6	AP2037	Deflector	28	AP2038SQ	Counter-Balance Cylinder
7	AP5013PVDS	Heat Exchanger, PVD, Tungsten	29	AP1409P	O-ring (10 pk)
-----	AP5002	Heat Exchanger, Chrome, XTX200/50	30	AP6577FPVDS	Adjusting Screw, Tungsten
-----	AP5013/S	Heat Exchanger, Satin, XTX100	-----	AP6577F	Adjusting Screw, Chrome, XTX200/50
8	AP1267P	O-ring (10 pk)	-----	AP6577FS	Adjusting Screw, Satin, XTX100
9	AP6211	Blanking Piece	31	AP5711P	O-ring (10 pk)
-----	AP6211Y	Blanking Piece, Yellow, Octopus	32	AP1159P	O-ring (10 pk)
10	AP1438P	O-ring (10 pk)	33	AP6578	Spring Adjuster
11	AP6238F	Decal, Tungsten	34	AP5830	Plug
-----	AP63082200	Decal, XTX200	35	AP6220K	Large Exhaust Tee, Set
-----	AP6308100	Decal, XTX100	36	AP6230	Exhaust Rib
-----	AP630750	Decal, XTX50	37	AP6219K	Small Exhaust Tee, Set
-----	AP6307050	Decal, XTX50 Octopus	38	AP0198	Flex Hose, MP, w/Hose Protectors, 3/8" X 30"
12	104913	Mouthpiece Clamp	-----	AP0199	Flex Hose,MP, Yellow w/Hose Pro, 3/8" X 36"
			39	AP6236	Hose Protector, Black (for Flex Hose)
			-----	AP6236Y	Hose Protector, Yellow (for Flex Hose)

Part numbers in **BOLD ITALICS** indicate standard overhaul replacement part.

XTX40/20 Series 2013-Present



Key #	Part #	Description
-------	--------	-------------

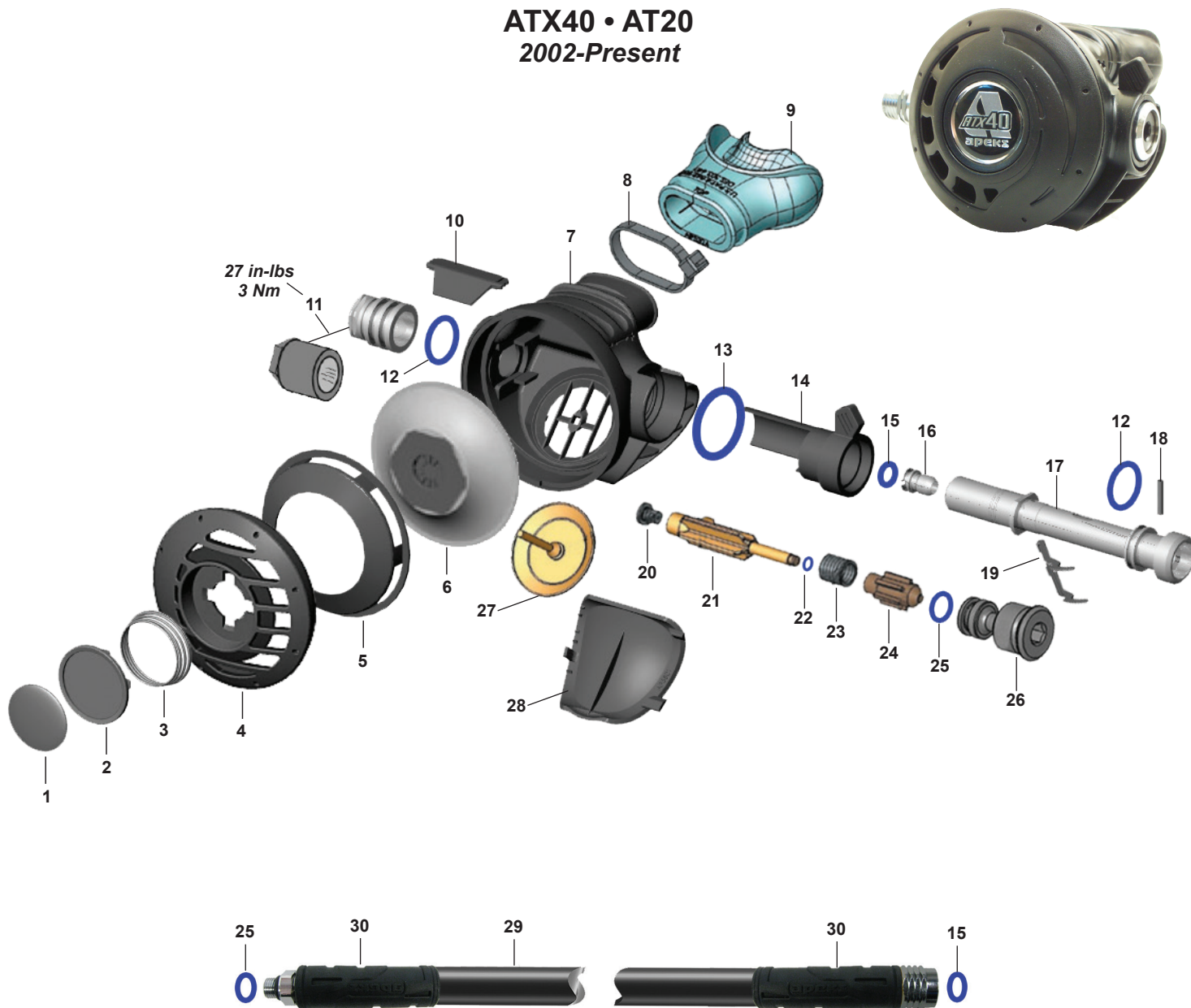
-----	AP0219/AA	Universal Second Stage Repair Kit
-----	AP0351F	XTX40, Second Stage
-----	AP0350F	XTX20, Second Stage
1 ----	AP0624B	Purge Button, Black, XTX40/20, w/Spring
-----	AP0624Y	Purge Button, Yellow, XTX Oxy/Octopus, w/Spring
-----	AP6222	Spring
3 ----	AP6301	Case Cover, XTX40/20
-----	AP6301Y	Case Cover, Yellow
-----	AP6301G	Case Cover, Green, XTX40 Oxy
4 ----	AP5802	Diaphragm Cover
-----	AP5803	Diaphragm
6 ----	AP2037	Deflector
-----	AP5002	Heat Exchanger, Chrome, XTX40
-----	AP5003	Spacer, XTX20
8 ----	AP1267P	O-ring (10 pk)
-----	AP6211	Blanking Piece
-----	AP6211Y	Blanking Piece, Yellow
-----	AP6211G	Blanking Piece, Green, XTX40 Oxy
10 ----	AP1438P	O-ring (10 pk)
-----	AP630740	Decal, XTX40
-----	AP630720	Decal, XTX20
-----	AP6307G40	Decal, XTX40 Oxy
-----	AP6307O40	Decal, XTX40 Octopus
-----	AP6307O20	Decal, XTX20 Octopus
12 ----	104913	Mouthpiece Clamp
-----	AP5324K	Comfobite Mouthpiece
-----	AP5324G	Comfobite Mouthpiece, Green, XTX40 Oxy
-----	104138	Mouthpiece, Standard, Octopus

Key #	Part #	Description
-------	--------	-------------

14 ----	AP6309	Venturi Ring
-----	AP6309Y	Venturi Ring, Yellow
-----	AP6309G	Venturi Ring, Green, XTX40 Oxy
15 ----	AP6213	Venturi Lever Body
16 ----	AP2033	Seat
17 ----	AP1154P	O-ring (10 pk)
18 ----	AP6216	Valve Spindle, Chrome
19 ----	AP6215	Spindle Collar
20 ----	AP1151	Spring Pin
21 ----	AP2035	Lever
22 ----	AP6223	Exhaust Valve Case, XTX
23 ----	AP6300	Case, XTX
24 ----	AP2034	MP Seat, Silicone
25 ----	AP2036	Shuttle Valve
26 ----	AP2041P	O-ring (10 pk)
27 ----	AP2021	Spring
28 ----	AP2038SQ	Counter-Balance Cylinder
29 ----	AP1409P	O-ring (10 pk)
30 ----	AP2029-1	Adjusting Screw
-----	AP6219K	Small Exhaust Tee, Set
-----	AP6219G	Small Exhaust Tee, Set, Green, XTX40 Oxy
32 ----	AP6220K	Large Exhaust Tee, Set
33 ----	AP6230	Exhaust Rib
34 ----	AP0198	Flex Hose, MP,w/Hose Protectors, 3/8" X 29"
-----	AP0199	Flex Hose, MP, Yellow,w/Hose Pro, 3/8" X 36"
35 ----	AP6236	Hose Protector, Black (for Flex Hose)
-----	AP6236Y	Hose Protector, Yellow (for Flex Hose)

Part numbers in **BOLD ITALICS** indicate standard overhaul replacement part.

ATX40 • AT20
2002-Present



Key #	Part #	Description
----	AP0219/AA	Universal Second Stage Repair Kit
1----	AP5821	Decal, ATX40
----	AP5822	Decal, AT20
2----	AP5805	Purge Button
3----	AP2020	Spring
4----	AP5804	Case Cover
----	AP5807/Y	Case Cover, Yellow, Octopus
5----	AP5802	Diaphragm Cover
6----	AP5803	Diaphragm
7----	AP5800	Case
8----	104913	Mouthpiece Clamp
9----	AP5324K	Mouthpiece, Comfobite
----	104138	Mouthpiece, Standard, Octopus
10----	AP2037	Deflector
11----	AP5002	Heat Exchanger, ATX40
----	AP5003	Spacer, AT20
12----	AP1267P	O-ring (10 pk)
13----	AP1438P	O-ring (10 pk)
14----	AP2039	Venturi Lever
----	AP2039/Y	Venturi Lever, Yellow, Octopus

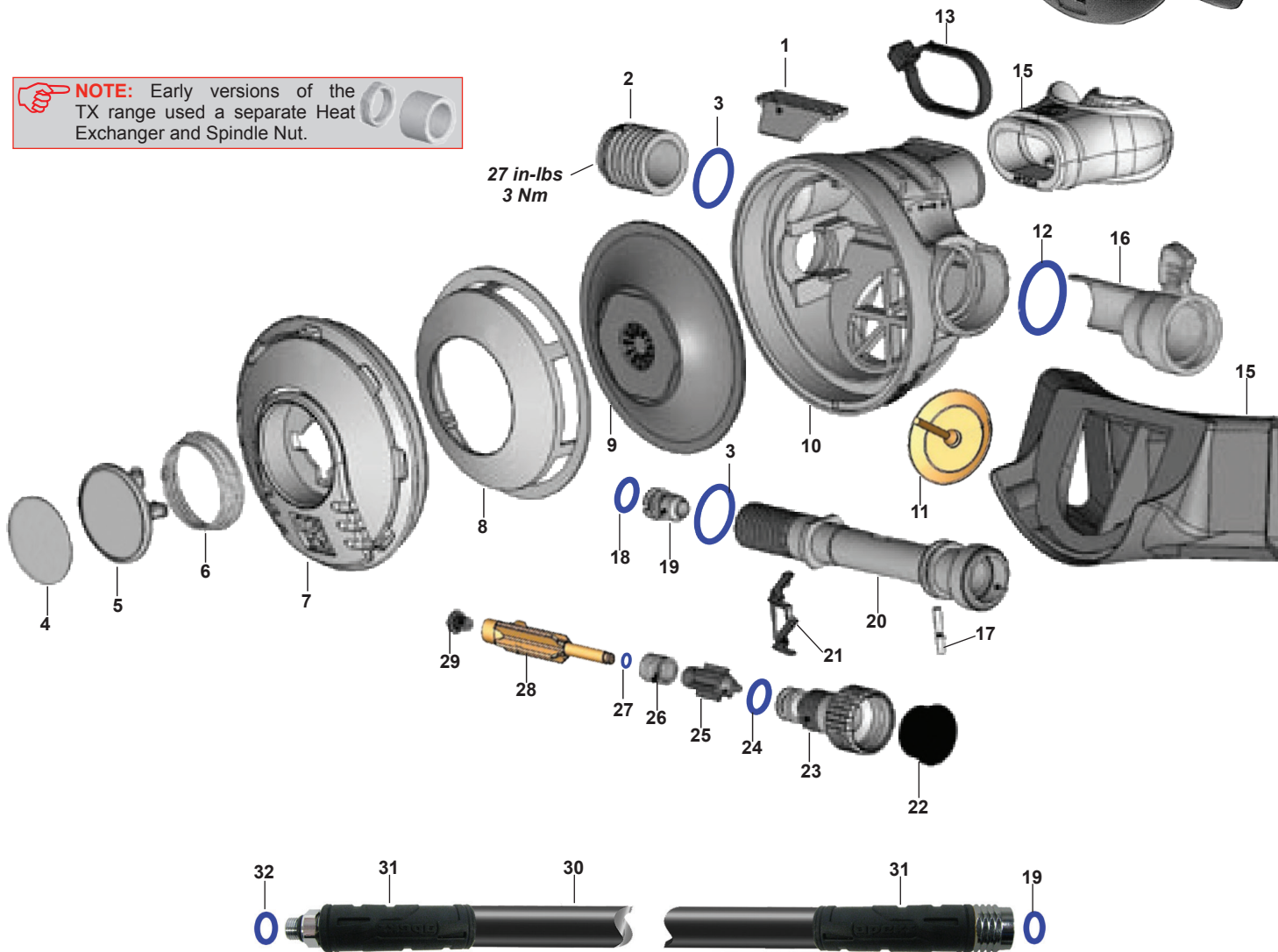
Key #	Part #	Description
15----	AP1154P	O-ring (10 pk)
16----	AP2033	Seat
17----	AP2028	Valve Spindle
18----	AP1151	Spring Pin
19----	AP2035	Lever
20----	AP2034	MP Seat, Silicone
21----	AP2036	Shuttle Valve
22----	AP2041P	O-ring (10 pk)
23----	AP2021	Spring
24----	AP2038SQ	Counter-Balance Cylinder
25----	AP1409P	O-ring (10 pk)
26----	AP2029-1	Adjusting Screw
27----	AP1429	Exhaust Valve
28----	AP5801	Cover, Exhaust Valve
----	AP5801/Y	Cover, Exhaust Valve, Yellow
29----	AP0203	Hose, MP, 1/2" X 29"
----	AP0203/1	Hose, MP, 3/8" X 29"
----	AP0206	Hose, MP, Octopus, Yellow, 3/8" X36"
30----	AP1461	Hose Protector, Black (Std.Hose)
----	AP1461Y	Hose Protector, Yellow (Std.Hose)
N/S----	AP1410P	O-ring, Hose End, Male 1/2" (10 pk)

Part numbers in **BOLD ITALICS** indicate standard overhaul replacement part.

TX50
2001-Present (Military Only)



NOTE: Early versions of the TX range used a separate Heat Exchanger and Spindle Nut.

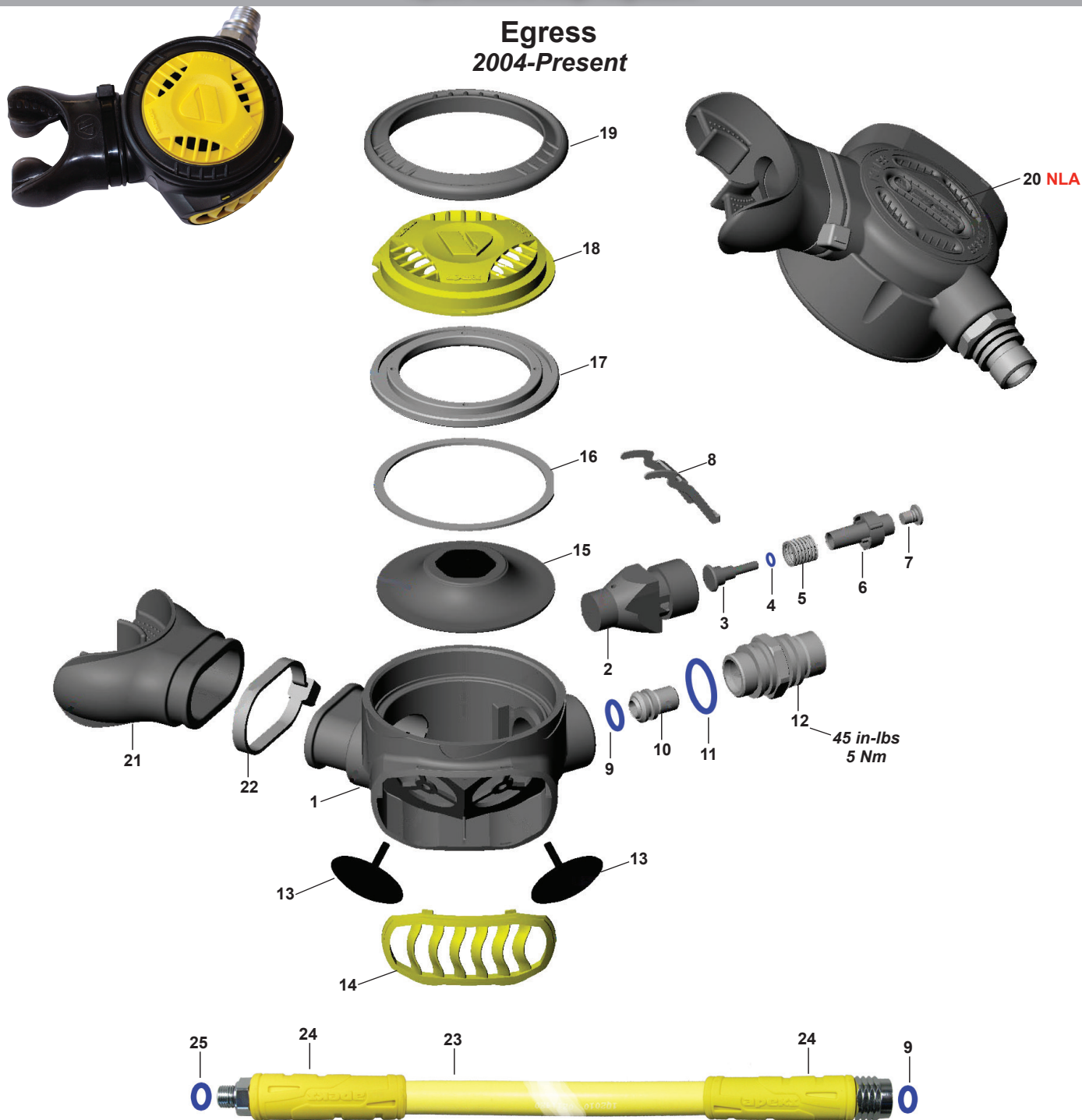


Key #	Part #	Description
-----	AP0219R	Second Stage Repair Kit, Military
-----	AP0510SQ	TX50, Second Stage
1----	AP2037	Deflector
2----	AP5002	Heat Exchanger, TX50
3----	AP1267P	O-Ring (10 pk)
4----	AP5015	Decal, Apeks
5----	AP2053	Purge Button
6----	AP2020	Spring
7----	AP2026	Case Cover, TX50
-----	AP2026/Y	Case Cover, Yellow, Octopus or Nitrox
8----	AP2025	Diaphragm Cover
9----	AP2023	Diaphragm
10----	AP5001	Case
11----	AP1429	Exhaust Valve
12----	AP1438P	O-Ring (10 pk)
13----	104913	Mouthpiece Clamp
14----	AP5324K	Mouthpiece, Comfobite

Key #	Part #	Description
15----	AP2040	Exhaust Tee
16----	AP2039	Venturi Lever, TX50
17----	AP1151	Spring Pin
18----	AP1154P	O-Ring (10 pk)
19----	AP2033	Seat
20----	AP2028	Valve Spindle, TX50
21----	AP2035	Lever
22----	AP2030	Plug
23----	AP2029	Adjusting Screw, TX50
24----	AP1409P	O-Ring (10 pk)
25----	AP2038	Counter-Balance Cylinder
26----	AP2021	Valve Spring
27----	AP2041P	O-Ring (10 pk)
28----	AP2036	Shuttle Valve
29----	AP2034R	MP Seat, Rubber
30----	AP0203	Hose, MP, 1/2" X 29"
31----	AP1461	Hose Protector, Black (Std.Hose)
32----	AP1410P	O-ring, Hose End. Male 1/2" (10 pk)

Part numbers in **BOLD ITALICS** indicate standard overhaul replacement part.

Egress 2004-Present



Key #	Part #	Description
-------	--------	-------------

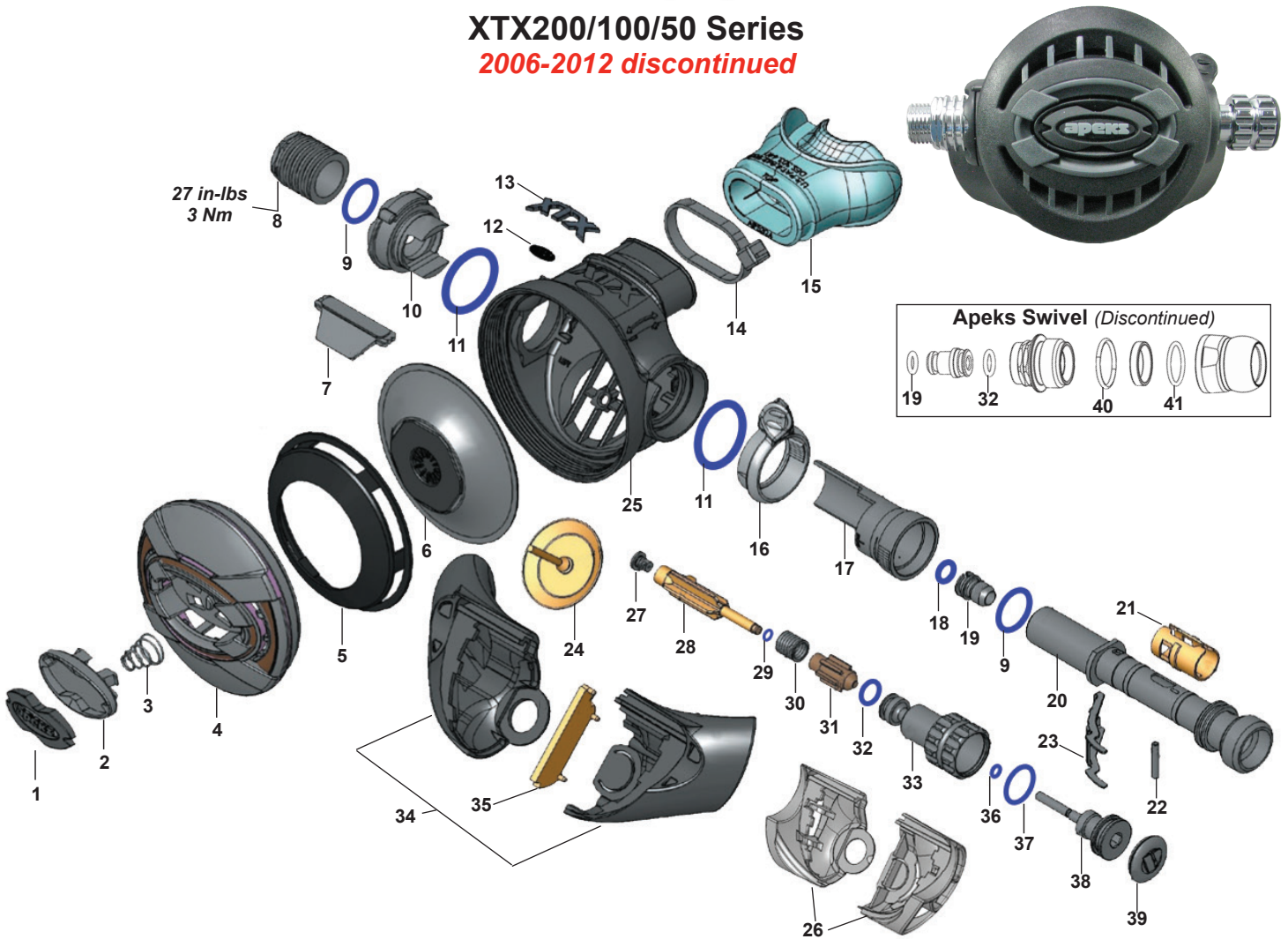
- | | | |
|--------|------------------|--|
| ----- | AP0219/AA | Universal Second Stage Repair Kit |
| 1---- | AP7550 | Egress Case |
| 2---- | AP7560 | Egress Spindle Body |
| 3---- | AP7562 | Egress Spring Carrier |
| 4---- | AP5711P | O-ring (10 pk) |
| 5---- | AP2021 | Valve Spring |
| 6---- | AP5707 | Egress Shuttle Valve |
| 7---- | AP2034 | MP Seat, Silicone |
| 8---- | AP2035 | Lever |
| 9---- | AP1154P | O-ring (10 pk) |
| 10---- | AP7563 | Egress Valve Seat |
| 11---- | AP1267P | O-ring (10 pk) |
| 12---- | AP7561 | Egress Inlet Fitting |

Key #	Part #	Description
-------	--------	-------------

- | | | |
|--------|----------------|--|
| 13---- | 100122 | Exhaust Valve |
| 14---- | AP7558 | Egress Exhaust Gate |
| 15---- | AP7553 | Egress Diaphragm |
| 16---- | AP7554 | Egress Friction Ring |
| 17---- | 116923 | Inner Locking Ring |
| 18---- | AP7556 | Egress Front Cover |
| 19---- | AP7557 | Egress Front Locking Ring |
| 20---- | NLA | Egress Decal |
| 21---- | 104138 | Mouthpiece |
| 22---- | 104913 | Mouthpiece Clamp |
| 23---- | AP0206 | Hose, MP, Octopus, Yellow, 3/8" X 36" |
| 24---- | AP1461Y | Hose Protector, Yellow (Std.Hose) |
| 25---- | AP1409P | O-ring, Hose End, Male, (10 pk) |

Part numbers in **BOLD ITALICS** indicate standard overhaul replacement part.

XTX200/100/50 Series
2006-2012 discontinued



Key # Part # Description

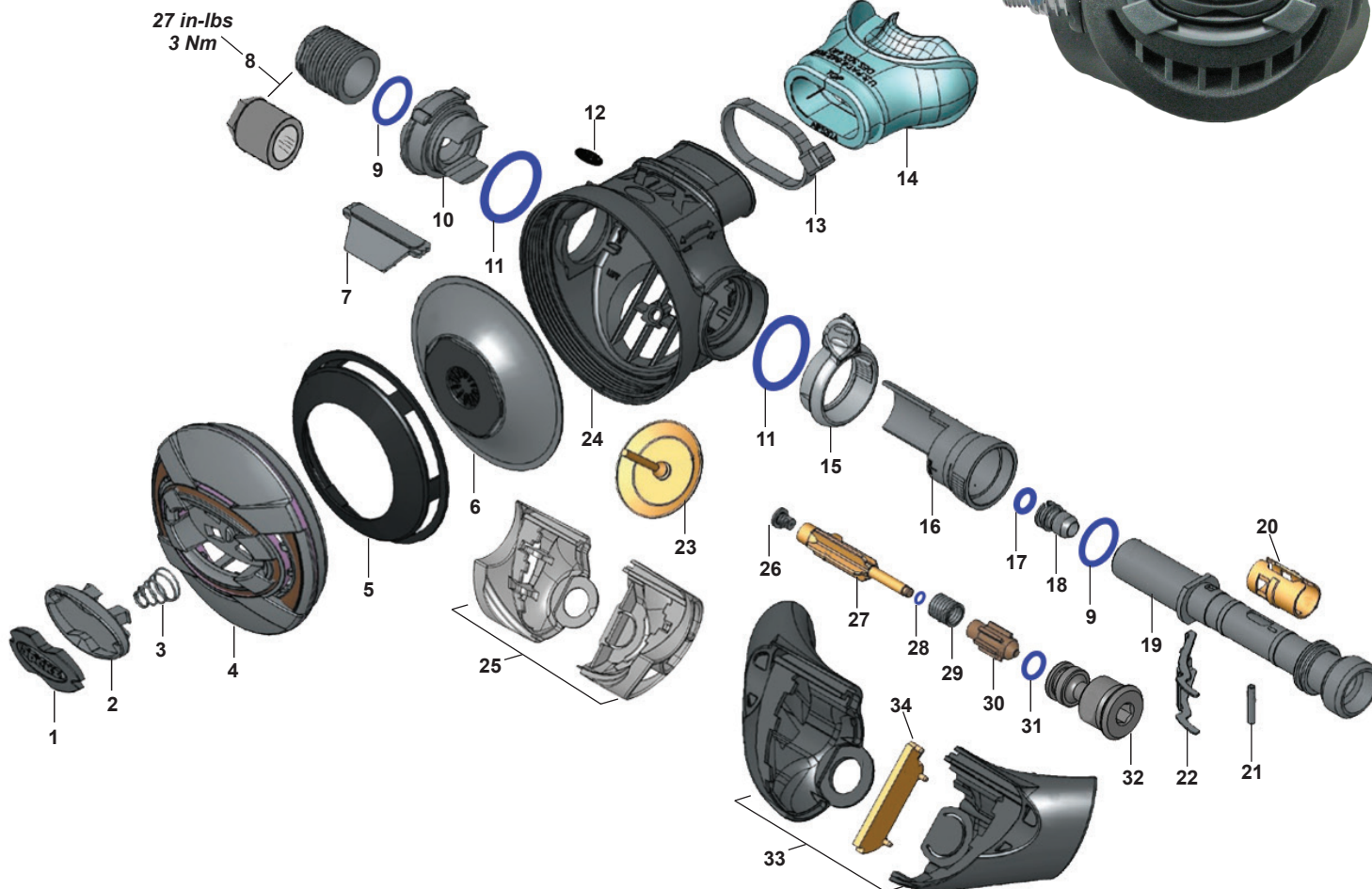
- **AP0219/AA** **Universal Second Stage Repair Kit**
- **AP0249** **Service Kit, Swivel Hose**
- 1 ---- AP6224 Decal
- 2 ---- AP6214 Purge Button
- AP6214Y Purge Button, Yellow
- 3 ---- AP6222 Spring
- 4 ---- AP6217PVDS Case Cover, Tungsten
- AP6217 Case Cover, XTX200/XTX100
- AP6218 Case Cover, XTX50
- AP6218Y Case Cover, Yellow
- 5 ---- AP5802 Diaphragm Cover
- 6 ---- AP5803 Diaphragm
- 7 ---- AP2037 Deflector
- 8 ---- AP5013PVDS Heat Exchanger, PVD, Tungsten
- AP5002 Heat Exchanger, Chrome, XTX200/50
- AP5013/S Heat Exchanger, Satin, XTX100
- 9 ---- AP1267P O-ring (10 pk)**
- 10 ---- AP6211 Blanking Piece
- AP6211Y Blanking Piece, Yellow
- 11 ---- AP1438P O-ring (10 pk)**
- 12 ---- AP6238 Decal, Tungsten
- AP6225 Decal, XTX200
- AP6226 Decal, XTX100
- AP6227 Decal, XTX50
- 13 ---- AP6221B XTX Decal, XTX200, Tungsten
- AP6221S XTX Decal, XTX100
- AP6221GREY XTX Decal, XTX50
- AP6221Y XTX Decal, XTX50 Octopus
- 14 ---- 104913 Mouthpiece Clamp**

Key # Part # Description

- 15 ---- AP5324K Comfobite Mouthpiece
- 104138 Mouthpiece, Standard, Octopus
- 16 ---- AP6212 Venturi Ring
- AP6212Y Venturi Ring, Yellow
- 17 ---- AP6213 Venturi Lever Body
- 18 ---- AP1154P O-ring (10 pk)**
- 19 ---- AP2033 Seat
- 20 ---- AP6216 Valve Spindle, Chrome, XTX200/50
- AP6216S Valve Spindle, Satin, XTX100
- 21 ---- AP6215 Spindle Collar
- 22 ---- AP1151 Spring Pin
- 23 ---- AP2035 Lever
- 24 ---- AP6223 Exhaust Valve
- 25 ---- AP6210 Case
- 26 ---- AP6219K Small Exhaust Tee, Set
- 27 ---- AP2034 MP Seat, Silicone**
- 28 ---- AP2036 Shuttle Valve
- 29 ---- AP2041P O-ring (10 pk)**
- 30 ---- AP2021 Spring
- 31 ---- AP2038SQ Counter-Balance Cylinder
- 32 ---- AP1409P O-ring (10 pk)**
- 33 ---- AP6577PVDS Adjusting Screw, PVD, Tungsten
- AP6577 Adjusting Screw, Chrome, XTX200/50
- AP6577/S Adjusting Screw, Satin, XTX100
- 34 ---- AP6220K Large Exhaust Tee, Set
- 35 ---- AP6230 Exhaust Rib
- 36 ---- AP5711P O-ring (10 pk)**
- 37 ---- AP1159P O-ring (10 pk)**
- 38 ---- AP6578 Spring Adjuster
- 39 ---- AP5830 Plug

Part numbers in **BOLD ITALICS** indicate standard overhaul replacement part.

XTX40/20 Series
2006-2012 discontinued



Key # Part # Description

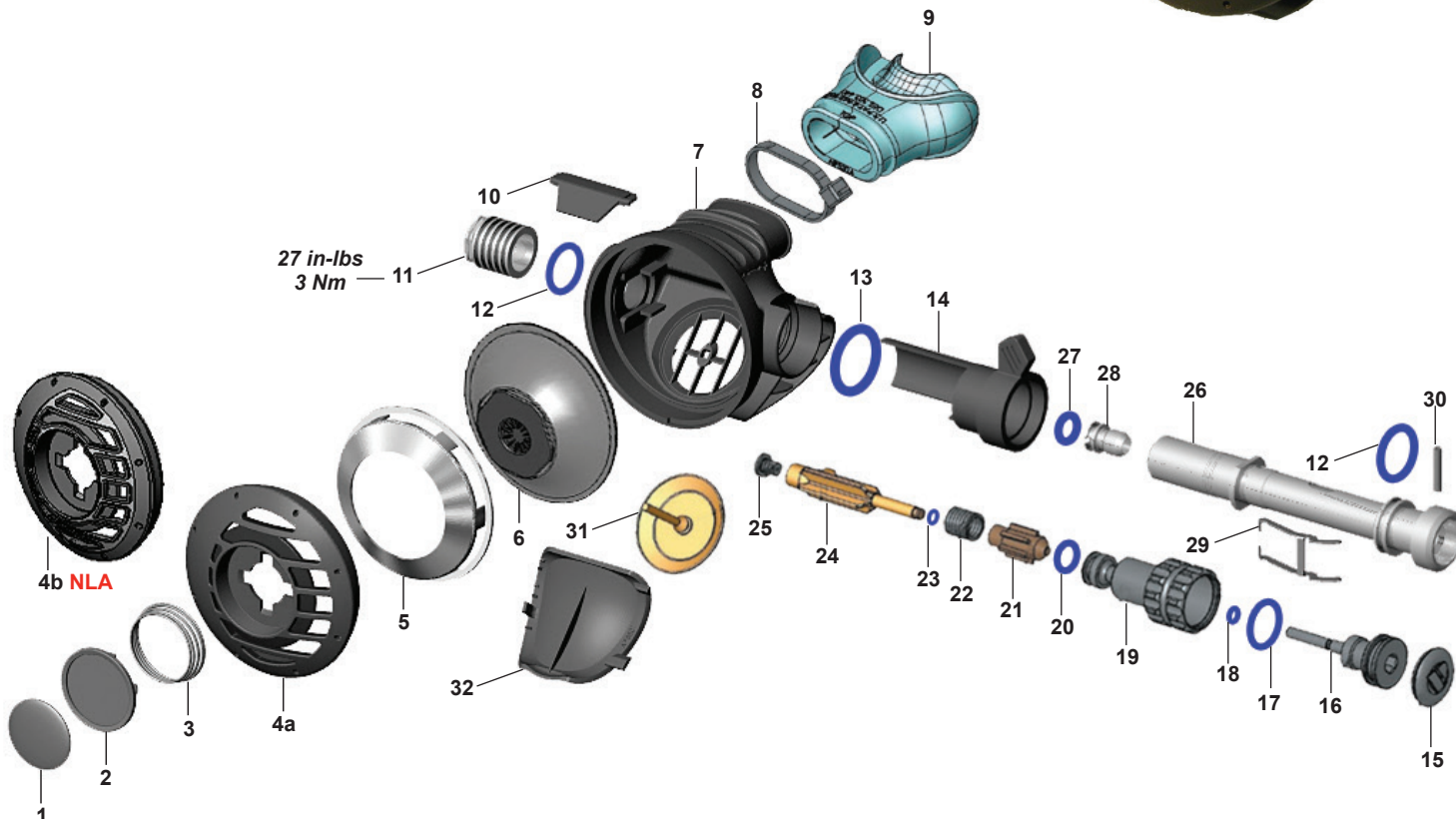
-----	AP0219/AA	Universal Second Stage Repair Kit
1----	AP6224	Decal
-----	AP6224N	Decal, Nitrox, XTX40 Oxy
2----	AP6214	Purge Button
-----	AP6214Y	Purge Button, Yellow
3----	AP6222	Spring
4----	AP6218	Case Cover
-----	AP6218Y	Case Cover, Yellow
-----	AP6218G	Case Cover, Green, XTX40 Oxy
5----	AP5802	Diaphragm Cover
6----	AP5803	Diaphragm
7----	AP2037	Deflector
8----	AP5002	Heat Exchanger, XTX40
-----	AP5003	Spacer, XTX20
9----	AP1267P	O-ring (10 pk)
10----	AP6211	Blanking Piece
-----	AP6211Y	Blanking Piece, Yellow
-----	AP6211G	Blanking Piece, Green, XTX40 Oxy
11----	AP1438P	O-ring (10 pk)
12----	AP6228	Decal, XTX40
-----	AP6228N	Decal, XTX40 Nitrox, XTX40 Oxy
-----	AP6229	Decal, XTX20
13----	104913	Mouthpiece Clamp

Key # Part # Description

14----	AP5324K	Comfobite Mouthpiece
-----	AP5324G	Comfobite Mouthpiece, Green, Oxy
-----	104138	Mouthpiece, Standard, Octopus
15----	AP6212	Venturi Ring
-----	AP6212Y	Venturi Ring, Yellow
-----	AP6212G	Venturi Ring, Green, XTX40 Oxy
16----	AP6213	Venturi Lever Body
17----	AP1154P	O-ring (10 pk)
18----	AP2033	Seat
19----	AP6216	Valve Spindle
20----	AP6215	Spindle Collar
21----	AP1151	Spring Pin
22----	AP2035	Lever
23----	AP6223	Exhaust Valve
24----	AP6210	Case
25----	AP6219K	Small Exhaust Tee, Set
-----	AP6219G	Small Exhaust Tee, Set, Green, XTX40 Oxy
26----	AP2034	MP Seat, Silicone
27----	AP2036	Shuttle Valve
28----	AP2041P	O-ring (10 pk)
29----	AP2021	Spring
30----	AP2038SQ	Counter-Balance Cylinder
31----	AP1409P	O-ring (10 pk)
32----	AP2029-1	Adjusting Screw
33----	AP6220K	Large Exhaust Tee, Set
34----	AP6230	Exhaust Rib

Part numbers in **BOLD ITALICS** indicate standard overhaul replacement part.

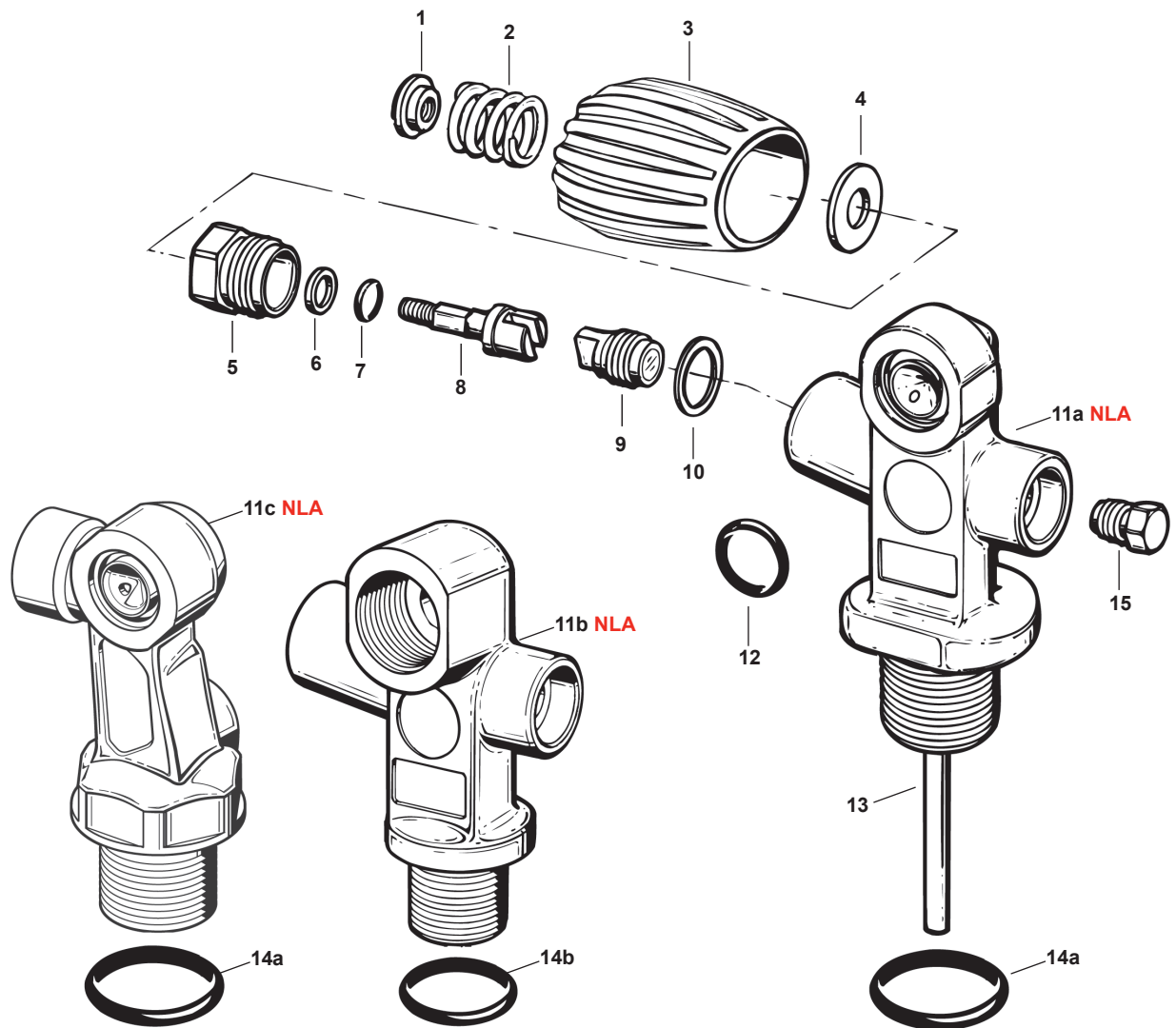
ATX200/100/50 Series
2002-2008 discontinued



Key #	Part #	Description	Key #	Part #	Description
-----	AP0219/AA	Universal Second Stage Repair Kit	15	AP5830	Plug
1	AP5819	Decal, ATX200	16	AP6578	Spring Adjuster
-----	NLA	Decal, ATX100	17	AP1159P	O-ring (10 pk)
-----	AP5015	Decal, Apeks	18	AP5711P	O-ring (10 pk)
-----	NLA	Decal, Tungsten	19	AP6577PVDS	Adjusting Knob, PVD, Tungsten
2	AP5805	Purge Button	-----	AP6577/S	Adjusting Knob, ATX200/ATX100
3	AP2020	Spring	-----	AP6577	Adjusting Knob, ATX50
4a	AP5804	Case Cover, ATX200/100/50	20	AP1409P	O-ring (10 pk)
-----	AP5807/Y	Case Cover, ATX50 Octopus, Yellow	21	AP2038SQ	Counter-Balance Cylinder
4b	NLA	Case Cover, Tungsten	22	AP2021	Spring
5	AP5802/C	Diaphragm Cover, Tungsten/ATX200/ATX100	23	AP2041P	O-ring (10 pk)
-----	AP5802	Diaphragm Cover, ATX50	24	AP2036	Shuttle Valve
6	AP5803	Diaphragm	25	AP2034	MP Seat, Silicone
7	AP5800	Case	26	AP2028/S	Valve Spindle, ATX200/ATX100
8	104913	Mouthpiece Clamp	-----	AP2028	Valve Spindle, Tungsten/ATX50
9	AP5324K	Mouthpiece, Comfobite	27	AP1154P	O-ring (10 pk)
-----	104138	Mouthpiece, Standard, Octopus	28	AP2033	Seat
10	AP2037	Deflector	29	AP2035	Lever
11	AP5013PVDS	Heat Exchanger, PVD, Tungsten	30	AP1151	Spring Pin
-----	AP5013/S	Heat Exchanger, ATX200/ATX100	31	AP1429	Exhaust Valve
-----	AP5002	Heat Exchanger, ATX50	32	AP5801	Cover, Exhaust Valve
12	AP1267P	O-ring (10 pk)	-----	AP5801GREY	Cover, Exhaust Valve, Grey, Tungsten
13	AP1438P	O-ring (10 pk)	-----	AP5801/Y	Cover, Exhaust Valve, Yellow
14	AP2039	Venturi Lever			
-----	AP2039/Y	Venturi Lever, Yellow, ATX50 Octopus			

Part numbers in **BOLD ITALICS** indicate standard overhaul replacement part.

K-Valve • DIN Valve • Z-Valve Air • (by Thermo)
Discontinued



Key #	Part #	Description
-----	5240-KIT	Service Kit, K- or Z-Valve, 3000 psi Only
1----	054207	Nut, Handwheel Retaining
2----	054209	Spring, Handwheel
3----	52406A	Handwheel
4----	054212	Washer
5----	054204	Bonnet
6----	054205	Washer, Packing
7----	820010P	O-ring, Stem (25 pk)
8----	054208	Stem
9----	054203	Seat Assembly
10----	054216	Gasket, Bonnet
11a---	NLA	Body, K-Valve

Key #	Part #	Description
11b---	NLA	Body, DIN Valve
11c---	NLA	Body, Z-Valve
12----	820014P	O-ring, Outlet (25 pk)
13----	054215	Dip Tube
14a---	820214P	O-ring, K-Valve (10 pk)
14b---	054114	O-ring, DIN Valve
15----	054201	Safety Plug Kit, 3,000 psi (Aluminum)
-----	054242	Safety Plug Kit, 3,300 psi (Aluminum)
-----	054261	Safety Plug Kit, 3,500 psi (HP Steel)
-----	054221	Safety Plug Kit, 2,400 psi (LP Steel)
-----	054211	Safety Plug Kit, 2,250 psi (LP Steel)
N/S---	42485	Dust Cap, K-Valve
N/S---	054228	Dust Cap, Z-Valve

Part numbers in **BOLD ITALICS** indicate standard overhaul replacement part.

Airsource 3 w/QD Fitting 2010-Present

Airsource 3 w/Cut-Off Valve **2008-2011 discontinued**

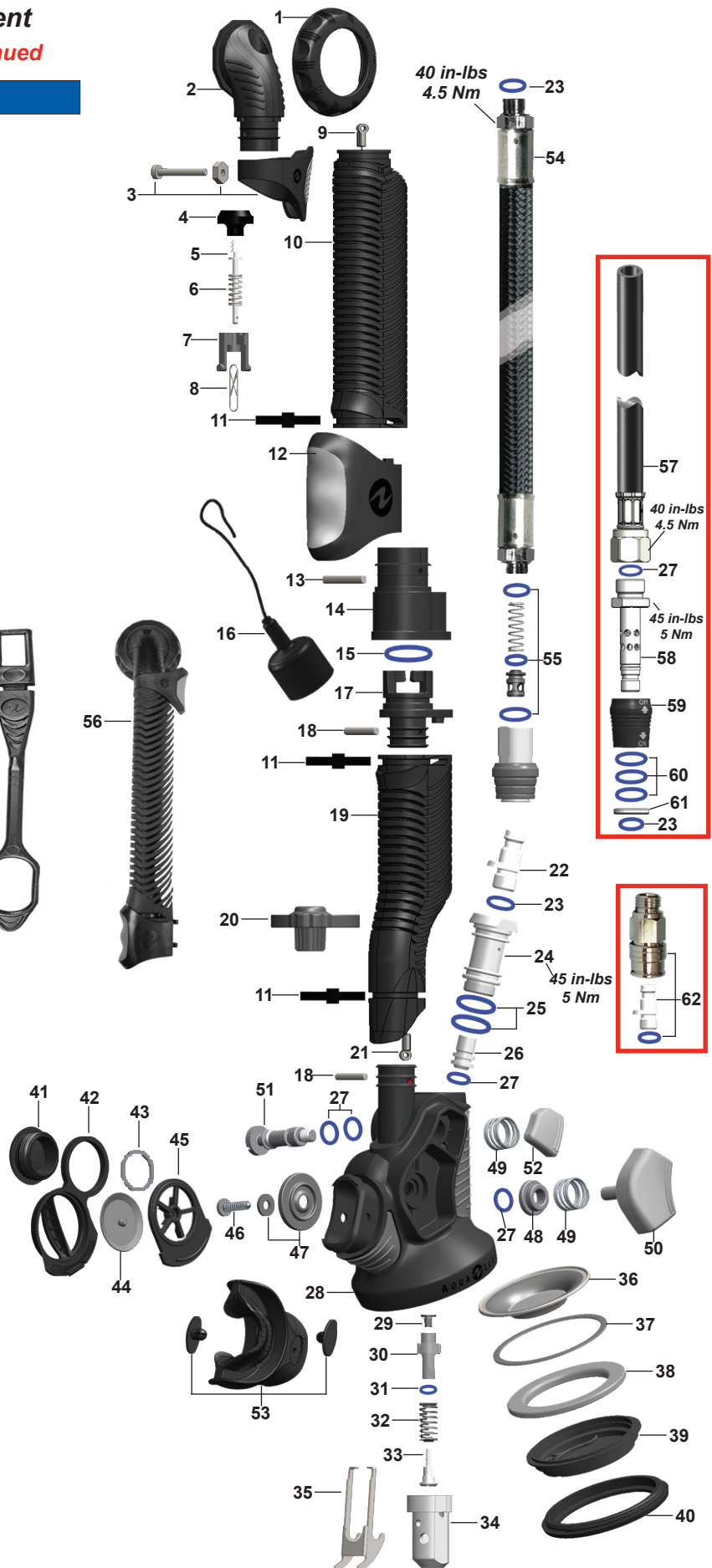
Key #	Part #	Description
-------	--------	-------------

..... **900021** **Overhaul Parts Kit, Airsource 3**
 **42639** **O-ring Kit, Airsource QD Hose**

1.....	15763	Collar
2.....	15161	Elbow
3.....	15281	Clip, Nut & Screw, Charcoal
.....	15179	Clip, Nut & Screw, Grey
4	778559	Poppet, Dump Valve
5.....	15164	Stem, Poppet
6.....	15215	Spring, Pull Dump, S/S
7.....	15162	Guide, Poppet
8.....	15178	Hook, Inflator Cable
9.....	15163	Cable, Upper 7.6"
10.....	15170	Hose, Upper
11.....	15719	Clamp
12.....	15257	Trim-Grip Ring, Grey
13.....	15172	Pin
14.....	15173	Trim-Grip, Top
15.....	820018P	O-ring (20 pk)
16.....	15226	Dust Cap, for Trim Grip
17.....	15175	Trim Grip, Bottom
18.....	15177	Pin
19.....	15171	Hose, Lower
20.....	15029	QD Fitting Cover
21	15176	Cable, Lower, 6.4"
22	15203	QD Fitting
23.....	820011P	O-ring (25 pk)
24.....	15196	Inlet Fitting
25.....	820015P	O-ring (10 pk)
26.....	15220	Crown
27.....	820010P	O-ring (25 pk)
28.....	15245	Body
29.....	15221	MP Seat
30.....	15222	Shuttle Valve
31.....	15234	O-ring
32.....	15223	Spring
33.....	15224	Spring Carrier
34.....	15201	Valve Spindle
35.....	15202	Lever
36.....	15225	Diaphragm
37.....	15227	Washer
38.....	15228	Retainer, Diaphragm
39.....	15205	Cover, Purge
40.....	15247	Retainer, Purge
41.....	15244	Cap
42.....	15246	Cover, Exhaust Valve
43.....	15189	Gasket
44.....	15132	Valve, Exhaust, Grey
45.....	15265	Support, Exhaust Valve
46.....	15204	Screw
47.....	15255	Oral Seal Kit
48.....	15185	Plate
49.....	15187	Spring
50.....	15264	Ol Button, Grey
51.....	15188	Push rod
52.....	15263	Pl Button, Grey
53.....	15239	Mouthpiece w/ Pins
54.....	25460	QD Hose, Braided, 3/8" x 27"
55.....	42639	O-ring Kit, A/S QD Hose
56.....	15259	Upper Hose Assembly (1-14)

AIRSOURCE W/CUT-OFF VALVE		
57.....	15191	Hose, MP 3/8" x 25"
58	15193	Fitting, Cut-Off Valve
59.....	15194	Barrel, Cut-Off Valve
60.....	820312P	O-ring (10 pk)
61.....	15195	Washer
62.....	15140	AirsourceQD Conversion Kit

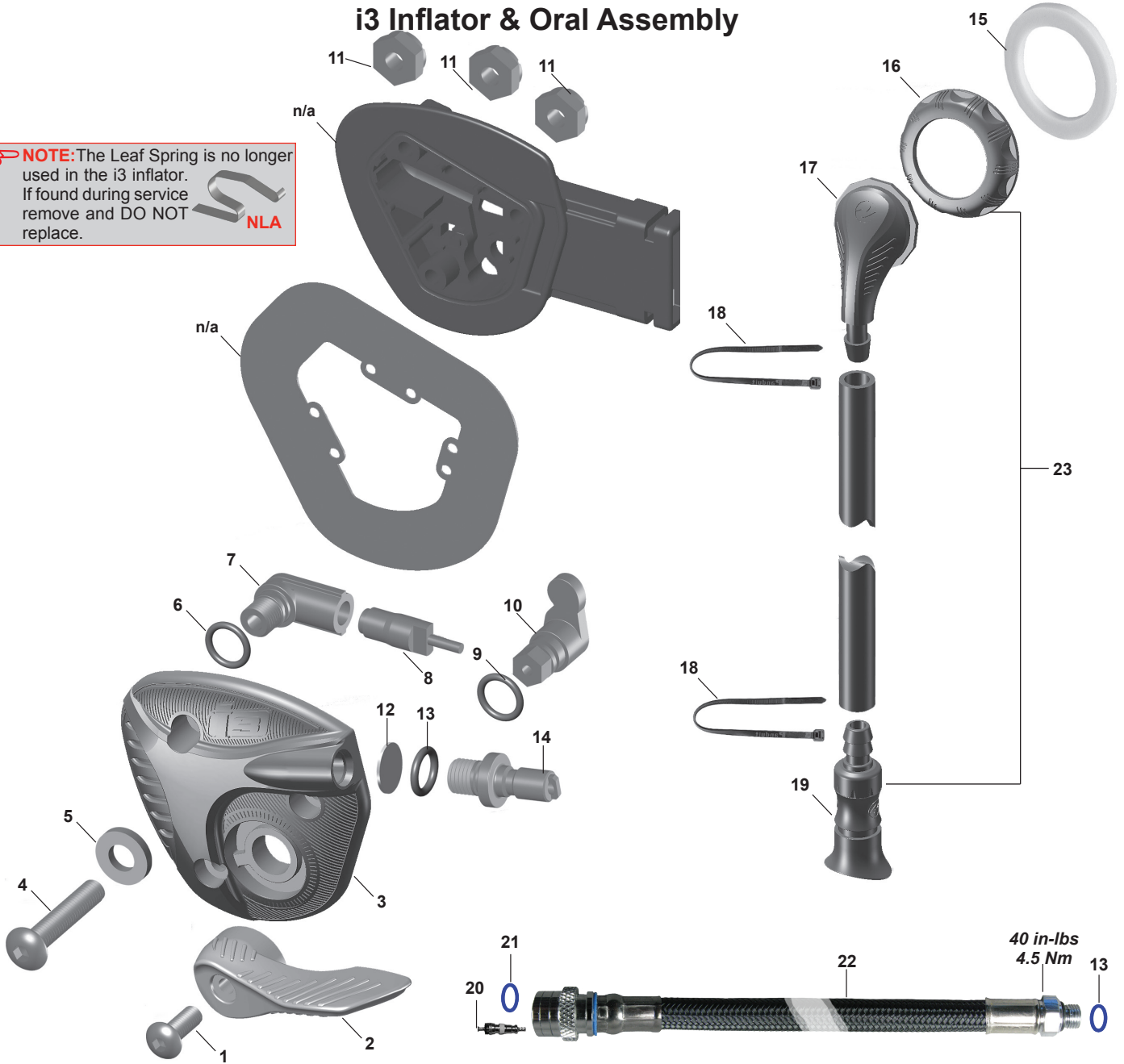
Anchorline Retainer
p/n 15285



Part numbers in **BOLD ITALICS** indicate standard overhaul replacement part.

i3 Inflator & Oral Assembly

NOTE: The Leaf Spring is no longer used in the i3 inflator. If found during service remove and DO NOT replace.

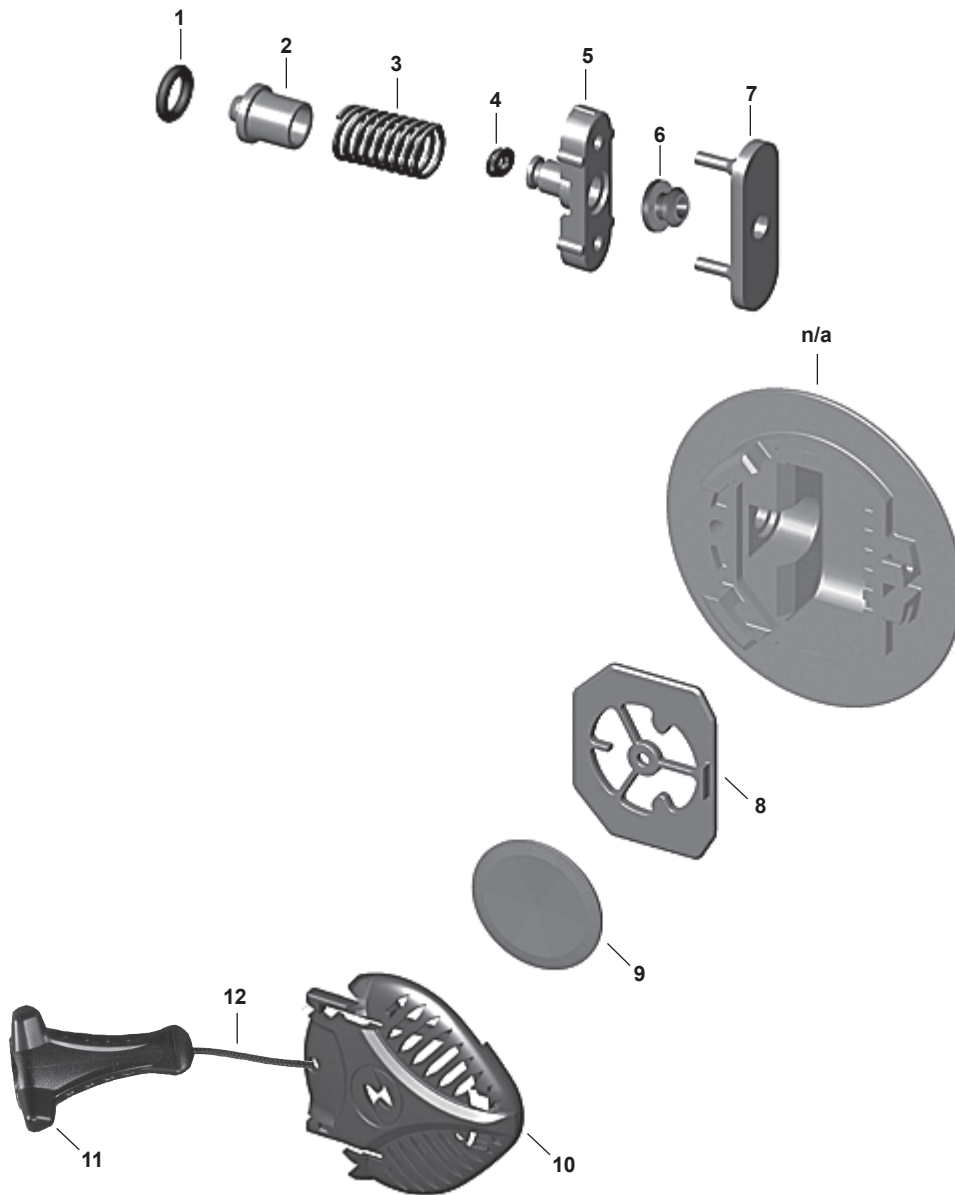


Key #	Part #	Description
-----	900020	Service Kit, i3 Inflator
1----	15424	Screw, 10-32X.5
2----	15414	Handle, i3 Inflator, Red
-----	15446	Handle, i3 Inflator, Twilight
-----	15433	Handle, i3 Inflator, Pink
-----	15434	Handle, i3 Inflator, Grey
-----	15435	Handle, i3 Inflator, Aqua
3----	15436	Body Out with Grey Labels
-----	15439	Body Out with Black Labels
-----	15423	Screw, 10-32X1
5----	15426	Washer, Screw Seal
6----	820010P	O-ring (25 pk)
7----	15417	Valve Retainer, Elbow
8----	15504	Valve Core
9----	15445P	Quad-ring (10 pk)
10----	15415	Lever, i3 Inflator

Key #	Part #	Description
11----	15425	Nut, Nylock, 10-32
12----	15628	Powerline Filter
13----	820011P	O-ring (25 pk)
14----	090018	Quick Disconnect Plug with O-ring
15----	15309	Gasket
16----	15763	Collar
17----	15427	Elbow
18----	15719	Clamp
19----	15429	Mouthpiece/Valve, Oral Inflator Assy
20----	778564	Valve Core
21----	820043P	O-ring (10 pk)
22----	45827	MP Braided Inflator Hose, 27" (SM)
-----	45833	MP Braided Inflator Hose, 33" (M, ML, L)
-----	45836	MP Braided Inflator Hose, 36" (XL)
-----	45840	MP Braided Inflator Hose, 40" (XXL)
23----	42773	i3 Oral Inflator, Complete (items 16-19)

Part numbers in **BOLD ITALICS** indicate standard overhaul replacement part.

Flat E-Valve on i3 model BC's

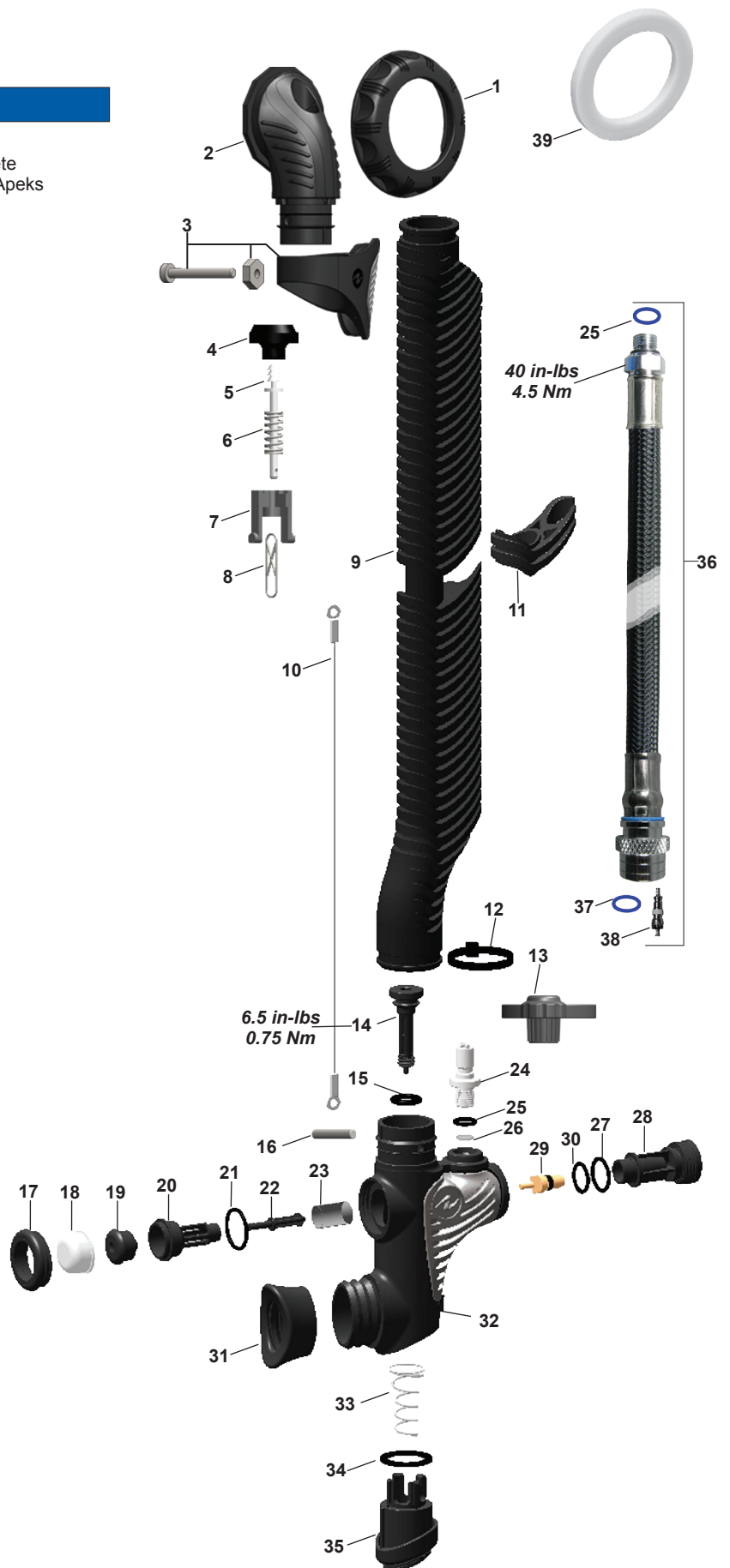


Key #	Part #	Description
1	820010P	O-ring (25 pk)
2	15404	Seal, Cylinder, Black
3	15407	Spring, S/S
4	15408P	Quad Ring (10 pk)
5	15401	Plate, Seal, Black
6	15402	Plug, Cord Hole
7	15406	Seal, Gray
8	15403	Plate, Valve, Blk
9	15132	Valve, Exhaust, Grey
10	15405	Cap, Blk
11	12277	Pull Knob
12	42738	Pull Dump Cord (25')

Part numbers in **BOLD ITALICS** indicate standard overhaul replacement part.

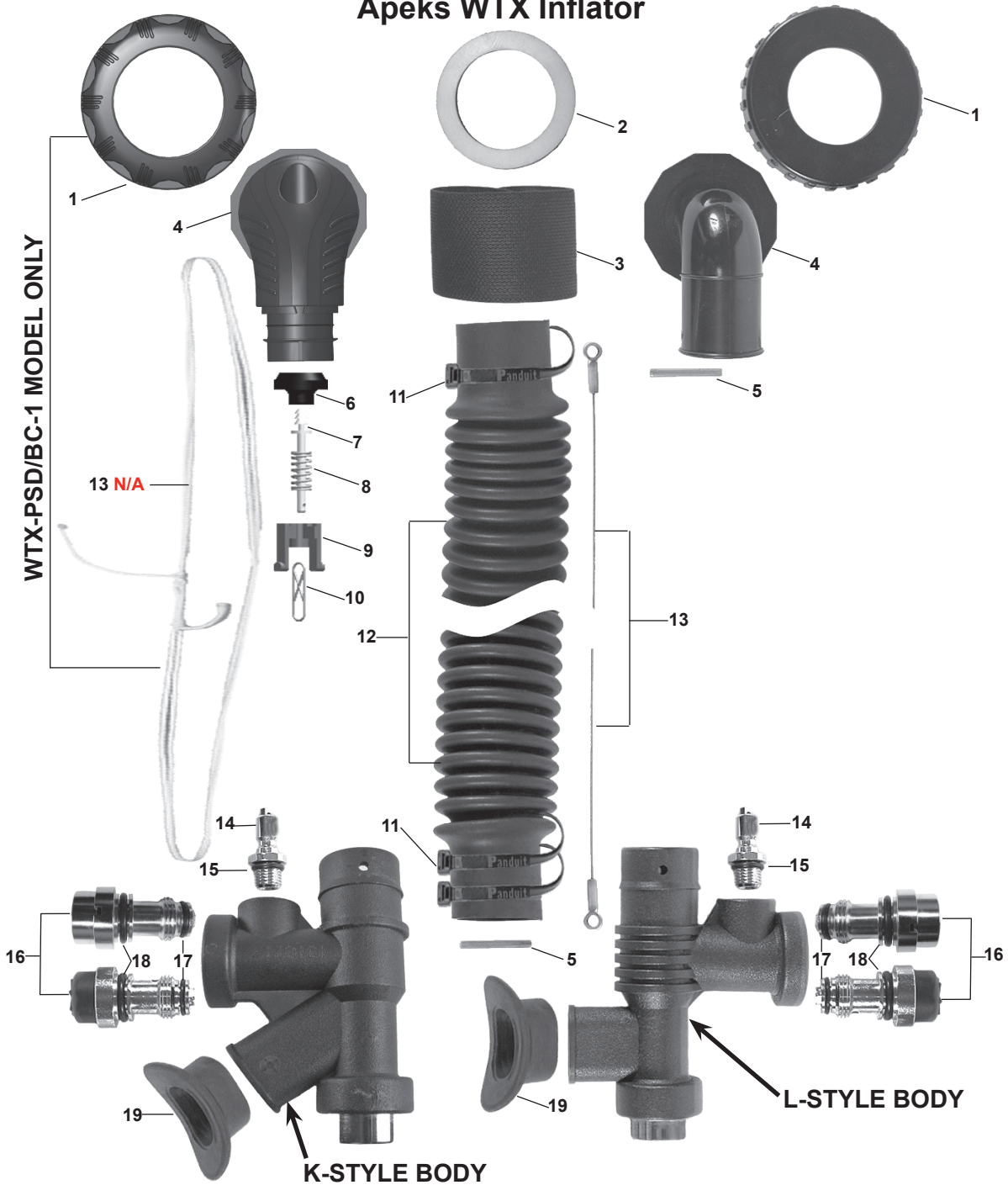
Powerline Inflator

Key #	Part #	Description
-----	42609	Service Kit, Powerline Inflator
-----	42810	Powerline Airway, Charcoal, Complete
-----	42820	Powerline Airway, Black, Complete, Apeks
-----	15280	Powerline, Lower Unit, Charcoal
1----	15763	Collar
2----	15161	Elbow
3----	15281	Clip, Nut & Screw, Charcoal
-----	15159	Clip, Nut & Screw, Black, Apeks
-----	15179	Clip, Nut & Screw, Grey
4----	778559	Poppet, Dump Valve
5----	15164	Poppet Stem
6----	15215	Spring
7----	15162	Poppet Guide
8----	15178	Cable Hook
9----	15261	Molded Hose
10----	15724	Cable
11----	15262	Hose Clip
12----	15719	Clamp
13----	15029	QD Fitting Cover
14----	15736	Oral Valve Poppet
15----	820092	O-ring
16----	15610	Cable Pin
17----	15746	Bezel
18----	15100	Button Cover, Gray
19----	15747	Button
20----	15749	Push Rod Housing
21----	820016P	O-ring (10 pk)
22----	15743	Push Rod
23----	15720	Filter Screen
24----	090018	Quick Disconnect Plug w/ O-ring
25----	820011P	O-ring (25 pk)
26----	15628	Filter
27----	820014P	O-ring (25 pk)
28----	15744	Valve Retainer
29----	15504	Valve Core
30----	957025P	O-ring (10 pk)
31----	15741	Mouthpiece
32----	15283	Body, Charcoal
-----	15271	Body, Black, Apeks
33----	15709	Spring
34----	15718	Gasket
35----	15775	Oral Button w/Plug
36----	45822	MP Braided Inflator Hose, 3/8 x 22"
-----	45825	MP Braided Inflator Hose, 3/8 x 25"
-----	45827	MP Braided Inflator Hose, 3/8 x 27"
-----	45833	MP Braided Inflator Hose, 3/8 x 33"
37----	820043P	O-ring (10 pk)
38----	778564	Valve Core
39----	15309	Gasket



Part numbers in **BOLD ITALICS** indicate standard overhaul replacement part.

Apeks WTX Inflator



Key #	Part #	Description
-------	--------	-------------

Key #	Part #	Description
-------	--------	-------------

-----	42772	Airway, Complete, L (WTX)
-----	42662	Airway, Complete, K (WTX/WTX-D)
-----	15350	Airway, Complete, K (WTX-D PSD)
-----	15755	Lower Inflator Assembly, L (WTX)
-----	15778	Lower Inflator Assembly, K (WTX/WTX-D/PSD)
1----	15706	Collar (WTX & WTX-D)
-----	15763	Collar (WTX-D PSD & BC-1)
2----	15309	Gasket
3----	42783	Retainer Loop
4----	15304	Elbow (WTX & WTX-D)
-----	15161	Elbow (WTX-D PSD & BC-1)
5----	15610	Retaining Pin
6----	778559	Dump Valve, Poppet (WTX-D PSD & BC-1)

7----	15164	Poppet Stem (WTX-D PSD & BC-1)
8----	15215	Spring (WTX-D PSD & BC-1)
9----	15162	Poppet Guide (WTX-D PSD & BC-1)
10----	15178	Cable Hook (WTX-D PSD & BC-1)
11----	15719	Clamp
12----	15756	Ribbed Hose Flat 16" (WTX & WTX-D)
-----	15151	Ribbed Hose, 18" (WTX-D PSD & BC-1)
13----	15757	Cable Assembly
-----	N/A	Spectra Cord, (WTX-D PSD & BC-1)
14----	15758	Quick Disconnect Fitting w/O-ring
15----	820311P	O-ring (10 pk)
16----	15717	Valve Module w/Brass Button
-----	15761	Valve Module w/Plastic Button
17----	820312P	O-ring (10 pk)
18----	820120P	O-ring (10 pk)
19----	15759	Mouthpiece

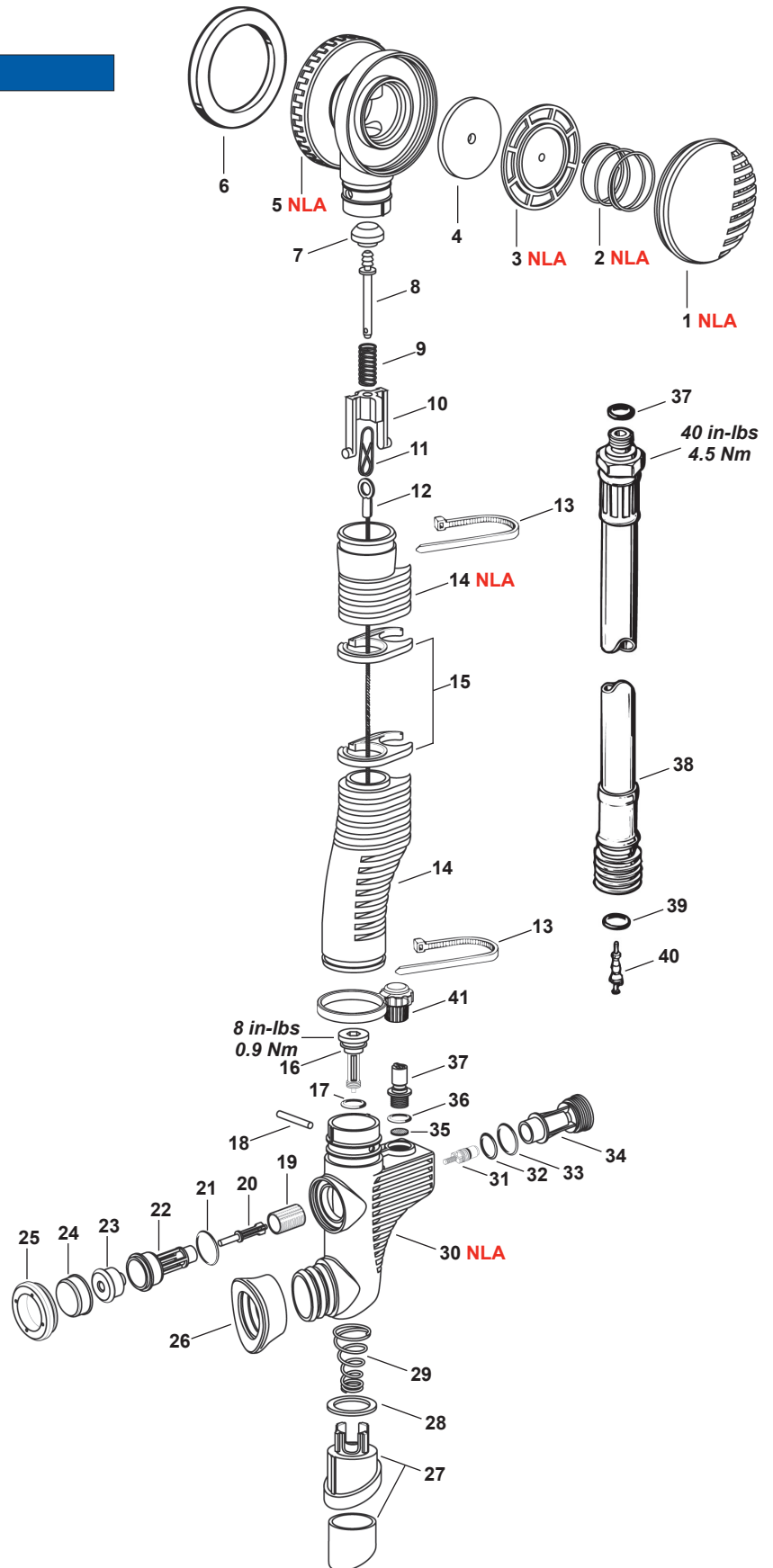
Part numbers in **BOLD ITALICS** indicate standard overhaul replacement part.

Powerline Inflator w/ Dual Valve

discontinued

Key #	Part #	Description
-------	--------	-------------

----	42609	Service Kit, Powerline Inflator
1----	NLA	Cap
2----	NLA	Overpressure Spring
3----	NLA	Valve Plate
4----	15714	Seal
5----	NLA	Body, Dual Valve
6----	15309	Gasket
7----	778559	Dump Plug
8----	15164	Poppet Stem
9----	15901	Dump Spring
10----	15649	Poppet Guide
11----	15178	Cable Hook
12----	15724	Cable Assembly
13----	15719	Clamp
14----	NLA	Ribbed Hose
15----	15735	Hose Clip
16----	15736	Poppet, Oral Valve
17----	820092	O-ring
18----	15610	Cable Pin
19----	15720	Filter Screen
20----	15743	Push Rod
21----	820016P	O-ring (10 pk)
22----	15749	Push Rod Housing
23----	15747	Button
24----	15100	Button Cover, Gray
25----	15746	Bezel
26----	15741	Mouthpiece
27----	15775	Oral Button w/rubber plug
28----	15718	Gasket
29----	15709	Oral Valve Spring
30----	NLA	Body
31----	15504	Valve Core
32----	957025P	O-ring (10 pk)
33----	820014P	O-ring (25 pk)
34----	15744	Valve Retainer
35----	15628	Filter
36----	820011P	O-ring (25 pk)
37----	090018	Quick Disconnect Plug w/ O-ring
38----	45822	MP Braided Inflator Hose, 22"
----	45825	MP Braided Inflator Hose, 25"
----	45827	MP Braided Inflator Hose, 27"
----	45833	MP Braided Inflator Hose, 33"
39----	820043P	O-ring (10 pk)
40----	778564	Valve Core
41----	15029	QD Fitting Cover



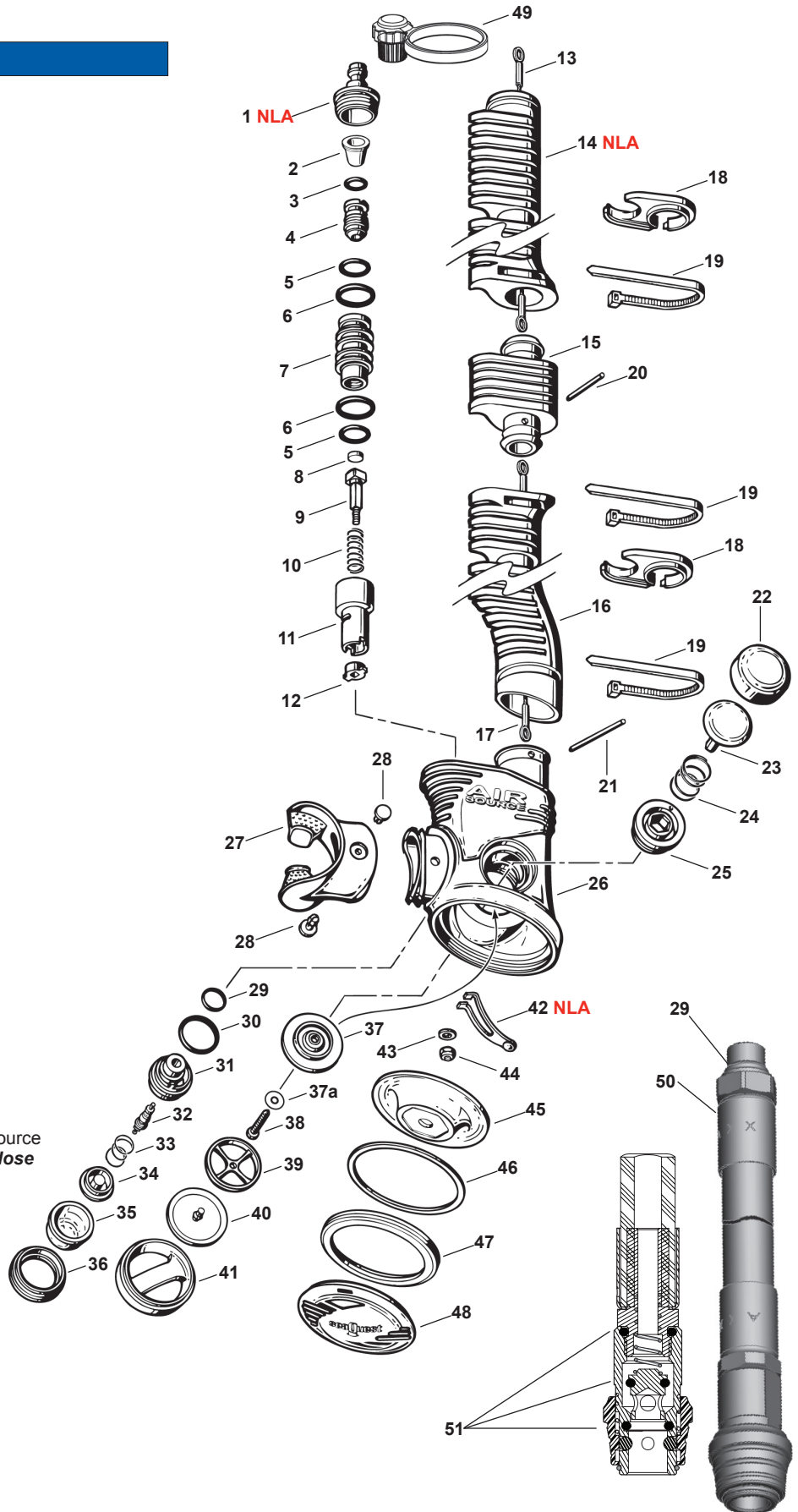
Part numbers in **BOLD ITALICS** indicate standard overhaul replacement part.

Air Source 2

2002-2007 discontinued

Key #	Part #	Description
-------	--------	-------------

-----	42608	Service Kit, Airsource 2
1 ---	NLA	Quick disconnect fitting
2 ---	15055	Sintered Filter
3 ---	820010P	O-ring (25 pk)
4 ---	15026	Crown
5 ---	820013P	O-ring (10 pk)
6 ---	820120P	O-ring (10 pk)
7 ---	15089	Crown Housing
8 ---	15027	Poppet Seat
9 ---	15103	Poppet
10 ---	15110	Poppet Spring
11 ---	15113	Poppet Housing
12 ---	15049	Poppet Guide
13 ---	15118	Upper Cable 8.75"
14 ---	NLA	Spiral Hose, 8"
15 ---	15090	Trim Grip
16 ---	15098	Spiral Hose, 6"
17 ---	15117	Lower Cable
18 ---	15735	Hose Clip
19 ---	15719	Clamp
20 ---	15106	Pin, 0.71
21 ---	15610	Pin, 1.0
22 ---	15099	Oral Button Cover
23 ---	15083	Oral Poppet
24 ---	15095	Oral Spring
25 ---	15093	Oral Bezel
26 ---	15094	Body
27 ---	42802	Mouthpiece
28 ---	15104	Mouthpiece Retainer
29 ---	820011P	O-ring (25 pk)
30 ---	820016P	O-ring (10 pk)
31 ---	15092	Valve Retainer
32 ---	778564	Valve Core
33 ---	15112	Spring
34 ---	15081	Inflator Button
35 ---	15100	Inflator Button Cover, Gray
36 ---	15080	Inflator Bezel
37 ---	42641	Oral Seal Kit
37a ---	NLA	Oral Seal Washer
38 ---	15107	Screw
39 ---	15078	Exhaust Retainer
40 ---	15132	Exhaust Valve, Gray
41 ---	15082	Exhaust Cap
42 ---	NLA	Demand Lever w/ Button
43 ---	15039	Washer
44 ---	15020	Locknut
45 ---	42803	Diaphragm Assy
46 ---	15084	Diaphragm Ring
47 ---	15087	Diaphragm Retaine
48 ---	15091	Purge Button
49 ---	15029	QD Fitting Cover
50 ---	25460	27" MP Braided Hose, Air Source
51 ---	42639	O-ring Kit, Airsource QD Hose



Part numbers in **BOLD ITALICS** indicate standard overhaul replacement part.

Current Models

Key # Part # Description

Axiom (Aqua Lung)

- 1 ---- 42797 Weight Pouch, 10lb, Surelock II, XS-ML
- 2 ---- 42799 Weight Pouch, 15lb, Surelock II, L-XXL
- 3 ---- 15309 Gasket, Universal Connector
- 4 ---- 45822 MP Braided Hose, 22", (XS, S, M)
- 5 ---- 45825 MP Braided Hose, 25", (ML, L)
- 6 ---- 45827 MP Braided Hose, 27", (XL, XXL)
- 7 ---- 12234 Pull Knob, Nyl, Blk
- 8 ---- 42764 Low Profile Dump Valve Kit
- 9 ---- 12003 Zip Pull w/ Cord
- 10 ---- 12084 Rubber Sleeve (for cyl. valve retainer)
- 11 ---- 428230 Cylinder Band, Grip Lock 2"

Backpack Parts

- 12 ---- 12121 Wrapture Backpack/Frame
- 13 ---- 12137 Plate (oval shaped)
- 14 ---- 15050 Screw, 10-24 X 3/8" (for center of pack)
- 15 ---- 15051 Threaded Barrel (for center of pack)
- 16 ---- 15135 Flanged Nut, 10-24 (for plate)
- 17 ---- 15136 Screw, 10-24 X 3/4" (for plate)

Optional Upgrade

- 18 ---- 427105 Twin Tank Kit, AQ, Wrapture



Key # Part # Description

Axiom i3 (Aqua Lung)

- 1 ---- 42797 Weight Pouch, 10lb, Surelock II, XS-ML
- 2 ---- 42799 Weight Pouch, 15lb, Surelock II, L-XXL
- 3 ---- 15309 Gasket, Universal Connector
- 4 ---- 45827 MP Braided Hose, 27", (XS, S)
- 5 ---- 45833 MP Braided Hose, 33", (M, ML, L)
- 6 ---- 45836 MP Braided Hose, 36", (XL)
- 7 ---- 45840 MP Braided Hose, 40", (XXL)
- 8 ---- 15430 Cover, QD, w/ Cord, i3 Inflator
- 9 ---- 12234 Pull Knob, Nyl, Blk
- 10 ---- 12003 Zip Pull w/ Cord
- 11 ---- 427026 Zip Pull Kit (2ea)
- 12 ---- 12084 Rubber Sleeve (for cyl. valve retainer)
- 13 ---- 428230 Cylinder Band, Grip Lock 2"
- 14 ---- 427072 Chest Strap Kit, Rail Style
- 15 ---- 42773 Oral Inflator Assembly

Backpack Parts

- 16 ---- 12121 Wrapture Backpack/Frame
- 17 ---- 12137 Plate (oval shaped)
- 18 ---- 15050 Screw, 10-24 X 3/8" (for center of pack)
- 19 ---- 15051 Threaded Barrel (for center of pack)
- 20 ---- 15135 Flanged Nut, 10-24 (for plate)
- 21 ---- 15136 Screw, 10-24 X 3/4" (for plate)

Optional Upgrade

- 22 ---- 427105 Twin Tank Kit, AQ, Wrapture



Key # Part # Description

Balance • Libra (Sea Quest)

- 1 ---- 42797 Weight Pouch, 10lb, Surelock II
- 2 ---- 42767 Weight Pouch, 10lb, Surelock
- 3 ---- 42726 Weight Pouch, Universal 10lb
- 4 ---- 15309 Gasket, Universal Connector
- 5 ---- 45822 MP Braided Hose, 22", SM-MD
- 6 ---- 45825 MP Braided Hose, 25", ML-LG
- 7 ---- 45827 MP Braided Hose, 27", XL
- 8 ---- 28228 Universal Cylinder Band
- 9 ---- 42754 Dump Valve Kit, Universal
- 10 ---- 42764 Low Profile Dump Valve Kit
- 11 ---- 427039 Chest Strap Kit (Libra only)

Optional Upgrade

- 12 ---- 427040 Carry Handle Kit (Large Contour Pack only)
- 13 ---- 427042 Twin Tank Kit (Large Contour Pack only)



Current Models

Key #	Part #	Description
-------	--------	-------------

Black Ice (Apeks)

1----	42798	Weight Pouch, 16lb, Surelock II
2----	15309	Gasket, Universal Connector
3----	45827	MP Braided Hose, 27"
4----	428240	GripLock Tank Band, Apeks
5----	42704	Low Profile Dump Valve Kit, Apeks
6----	427039	Chest Strap Kit
7----	12234	Pull Knob, Nyl, Blk
8----	120161	Zip Clip, Zipper Pull, Male
9----	120162	Zip Clip, Zipper Pull, Female
10----	12085	Rubber Sleeve (for cyl.valve retainer)
11----	397100	Bladder w/Dump Valves
12----	397102	Waistband Assy, SM/MD
13----	397104	Waistband Assy, ML/LG
14----	397106	Waistband Assy, XL/XXL
15----	397112	Shoulder Set, SM/MD
16----	397114	Shoulder Set, ML/XXL
17----	397122	Back Harness, SM/LG
18----	397124	Back Harness, XL/XXL
19----	397107	Nut/Bolt Kit, 4pk (for Multi-set Waistband & Shoulders)
20----	15071	Screw (for Multi-set Waistband & Shoulders)
21----	15072	Nut (for Multi-set Waistband & Shoulders)
22----	42778	Inflator Hold Down, Reflective

Backpack Parts

23----	22121	Wrapture Backpack/Frame, Blk Ice
24----	12137	Plate (oval shaped)
25----	15136	Screw, 10-24 X 3/4" (for plate)
26----	15135	Flanged Nut, 10-24 (for plate)
27----	15050	Screw, 10-24 X 3/8" (for center of pack)
28----	15051	Threaded Barrel (for center of pack)
29----	397101	Backpad

Optional Upgrade

30----	427030	Waistband Expander Kit, 2-req'd (adds 6" in length)
31----	427106	Twin Tank Kit, Apeks, Wrapture
32----	427038	Crotch Strap Kit



Key #	Part #	Description
-------	--------	-------------

Dimension i3 • Lotus i3 (Aqua Lung)

1----	42797	Weight Pouch, 10lb, Surelock II
2----	15309	Gasket, Universal Connector
3----	45827	MP Braided Hose, 27", (XS/S, S)
4----	45833	MP Braided Hose, 33", (M, ML, L)
5----	45836	MP Braided Hose, 36", (XL)
6----	15430	Cover, QD, w/ Cord, i3 Inflator
7----	12277	Pull Knob, Nyl, Blk
8----	12003	Zip Pull w/ Cord
9----	427026	Zip Pull Kit (2ea)
10----	12084	Rubber Sleeve (for cyl.valve retainer)
11----	28228	Universal Cylinder Band
12----	12134	Traction Sleeve, Small
13----	428230	Cylinder Band, Grip Lock 2"
14----	427072	Chest Strap Kit, Rail Style
15----	427104	Bungee
16----	42773	Oral Inflator Assembly

Backpack Parts

17----	12121	Wrapture Backpack/Frame
18----	12137	Plate (oval shaped)
19----	15050	Screw, 10-24 X 3/8" (for center of pack)
20----	15051	Threaded Barrel (for center of pack)
21----	15135	Flanged Nut, 10-24 (for plate)
22----	15136	Screw, 10-24 X 3/4" (for plate)

Optional Upgrade

23----	427105	Twin Tank Kit, AQ, Wrapture
--------	--------	-----------------------------



Current Models

Key # Part # Description

- Pearl (Sea Quest)**
 1 ---- 42797 Weight Pouch, 10lb, Surelock II
 2 ---- 12003 Zip Pull w/ Cord
 3 ---- 427026 Zip Pull Kit (2ea)
 4 ---- 12235 Buckle, Female, 1.5" Airlock
 5 ---- 12261 Buckle, Male, 1.5" Airlock
 6 ---- 12277 Pull Knob, Nyl, Blk
 7 ---- 15309 Gasket, Universal Connector
 8 ---- 45822 MP Braided Hose, 22" (XS, SM, MD)
 9 ---- 45825 MP Braided Hose, 25" (ML, LG)
 10 ---- 28228 Universal Cylinder Band
 11 ---- 42764 Low Profile Dump Valve Kit



Key # Part # Description

- Pro HD (Aqua Lung)**
 1 ---- 42797 Wt Pouch, 10lb, Surelock II, XS-ML
 2 ---- 42799 Wt Pouch, 15lb, Surelock II, LG-XL
 3 ---- 12247 Buckle, Female, 2.0" Airlock
 4 ---- 12248 Buckle, Male, 2.0" Airlock
 5 ---- 12241 Buckle, Male, 1.0" Airlock
 6 ---- 15309 Gasket, Universal Connector
 7 ---- 45822 MP Braided Hose, 22", XS-MD
 8 ---- 45825 MP Braided Hose, 25", ML-LG
 9 ---- 45827 MP Braided Hose, 27", XL
 10 ---- 28228 Universal Cylinder Band
 11 ---- 42764 Low Profile Dump Valve Kit
 12 ---- 12167 Zip Pull, W/Cord, Blue
 13 ---- 12234 Pull Knob, Blk
 14 ---- 427190 Waistband Set, Adjustable Web, XS
 15 ---- 427191 Waistband Set, Adjustable Web, SM
 16 ---- 427192 Waistband Set, Adjustable Web, MD
 17 ---- 427193 Waistband Set, Adjustable Web, ML
 18 ---- 427194 Waistband Set, Adjustable Web, LG
 19 ---- 427195 Waistband Set, Adjustable Web, XL
 20 ---- 427196 Waistband Set, Adjustable Web, XXL

Backpack Parts
 22 ---- 12131 Backpack Frame
 23 ---- 12132 Cradle, Co-Molded
 24 ---- 15437 Screw, 10 X 3/4" Panhead (need 6)
 25 ---- 427096 Backpad, Black, Universal



Key # Part # Description

- Soul i3 (Aqua Lung)**
 1 ---- 42797 Wt Pouch, 10lb, Surelock II
 2 ---- 428230 Cylinder Band, Grip Lock 2"
 3 ---- 12084 Rubber Sleeve (for cyl. valve retainer)
 4 ---- 12277 Pull Knob, Black
 5 ---- 15309 Gasket, Universal Connector
 6 ---- 45827 MP Braided Hose, 27" (XXS & XS/S)
 7 ---- 45833 MP Braided Hose, 33" (M & ML)
 8 ---- 12003 Zip Pull, W/Cord
 9 ---- 427026 Zip Pull Kit (2ea)
 10 ---- 15430 Cover, QD, w/ Cord, i3 Inflator
 11 ---- 42773 Oral Inflator Assembly
 12 ---- 427072 Chest Strap Kit, Rail Style

Backpack Parts
 13 ---- 12121 Wrapture Backpack/Frame
 14 ---- 12137 Plate (oval shaped)
 15 ---- 15050 Screw, 10-24 X 3/8" (for center of pack)
 16 ---- 15051 Threaded Barrel (for center of pack)
 17 ---- 15135 Flanged Nut, 10-24 (for plate)
 18 ---- 15136 Screw, 10-24 X 3/4" (for plate)

Optional Upgrade
 19 ---- 427105 Twin Tank Kit, AQ, Wrapture



Current Models

Key #	Part #	Description
-------	--------	-------------

WTX (Apeks)

WTX Harness/Deluxe Webbed Harness

1----	12071	D-ring, 2.0, Dull Tumbled S/S, .25 Dia
2----	12252	Slide, 2.0, 3 Bar, S/S Serrated
3----	12253	D-ring, 2.0, Bent, Dull Tumbled, S/S
4----	12285	Buckle, 2.0, S/S, Cam, Heavy Duty
5----	428240	GripLock Tank Band, Apeks
6----	28228	Universal Cylinder Band
7----	10017	Traction Sleeve, for Univ.Cylinder Band
8----	427039	Chest Strap Kit, WTX
9----	762325	Slide, Buckle, Black, Delrin
10----	42778	Inflator Hold Down, Reflective, Black, WTX
11----	42779	Backpad, WTX
12----	42780	Crotch Strap Kit, 2.0
13----	42781	Elastic Retainer Loop, 1.0, Chest, WTX
14----	42782	Elastic Retainer Loop, 1.5, Straps
15----	42786	Neo Sleeve, Dlx (1-each)

Wt System, Surelock, 10lb

1----	15050	Screw, 10-24 X 3/8"
2----	15051	Threaded Barrel
3----	42784	Wt Pouch, 10lb. Surelock
4----	42785	Wt Holster

Wt System, Surelock Attachment

1----	15050	Screw, 10-24 X 3/8"
2----	15051	Threaded Barrel
3----	15128	Washer, Shoulder, 1/4, Nylon

Bladder, WTX3, WTX4, WTX6, WTX6R, WTX8

1----	15309	Gasket, Universal Connector
2----	45827	MP Braided Hose, 27"
3----	15665	Cap, Universal Connector, WTX6/8
4----	42754	Dump Valve Kit, Universal
5----	12277	Pull Knob, Nylon, Black
6----	42783	Retainer Loop
7----	42788	Bladder, Tech Wing, WTX6/8
8----	42789	Bladder, WTX 4
9----	42790	Bladder, Primary, WTX 6R
10----	42791	Bladder, Redundant, WTX 6R
11----	388300	WTX Retractor Kit

WTX-D • WTX-D PSD (Apeks)

1----	12308	Buckle, 2.0, S/S, Cam, Heavy Duty, PSD
-------	-------	--

Bladder, WTX-D18, WTX-D30, WTX-D40

1----	42704	Dump Valve Kit, Low Profile, Apeks
2----	288118	Bladder, WTX-D18
3----	288140	Bladder, WTX-D30/40

Bladder, WTX-D Twin 45/60

1----	42837	Bladder, WTX-D Twin 45/60
-------	-------	---------------------------

Bladder, WTX-D Twin 60

1----	42838	Bladder, WTX-D Twin 60 Primary
2----	42839	Bladder, WTX-D Twin 60 Redundant



Current Models

Key # Part # Description

Wave 2010> (Aqua Lung)

- 1 ---- 42797 Wt Pouch, 10lb, Surelock II
- 2 ---- 12247 Buckle, Female, 2.0" Airlock
- 3 ---- 12248 Buckle, Male, 2.0" Airlock
- 4 ---- 12241 Buckle, Male, 1.0" Airlock
- 5 ---- 15309 Gasket, Universal Connector
- 6 ---- 43827 MP Hose, 27"
- 7 ---- 28228 Universal Cylinder Band
- 8 ---- 42754 Dump Valve Kit, Universal
- 9 ---- 12003 Zip Pull, W/Cord
- 10 ---- 12242 Pull Knob, Orange
- 11 ---- 427189 Waistband Set, Adjustable Web, XXS
- 12 ---- 427190 Waistband Set, Adjustable Web, XS
- 13 ---- 427191 Waistband Set, Adjustable Web, SM
- 14 ---- 427192 Waistband Set, Adjustable Web, M
- 15 ---- 427194 Waistband Set, Adjustable Web, LG
- 16 ---- 427195 Waistband Set, Adjustable Web, XL
- 17 ---- 427103 Weight System, Complete
- 18 ---- 427101 Weight Sheath, Left Side
- 19 ---- 427102 Weight Sheath, Right Side

Backpack Parts

- 20 ---- 12131 Backpack Frame
- 21 ---- 12132 Cradle, Co-Molded
- 22 ---- 15437 Screw, 10 X 3/4" Panhead (need 6)
- 23 ---- 427096 Backpad, Black, Universal



Key # Part # Description

Zuma (Aqua Lung)

- 1 ---- 42797 Wt Pouch, 10lb, Surelock II
- 2 ---- 12235 Buckle, Female, 1.5" Airlock
- 3 ---- 12261 Buckle, Male, 1.5" Airlock
- 4 ---- 12017 Buckle, Male, 3/4" Airlock
- 5 ---- 15309 Gasket, Universal Connector
- 6 ---- 45822 MP Braided Hose, 22", XS-MD
- 7 ---- 45825 MP Braided Hose, 25", ML-LG
- 8 ---- 45827 MP Braided Hose, 27", XL/XXL
- 9 ---- 28228 Universal Cylinder Band
- 10 ---- 12277 Pull Knob, Blk
- 11 ---- 10017 Traction Sleeve for Cylinder Band
- 12 ---- 427072 Chest Strap Kit, Rail Style
- 13 ---- 427085 Trim Pocket (5 lb/2.2 Kg)
- 14 ---- 427006 Bladder, Black w/Dump Valves, (22lb/10Ltr) XS-S/S-M
- 15 ---- 427007 Bladder, Black w/Dump Valves, (34lb/15Ltr) ML-L/XL-XXL
- 16 ---- 42764 Low Profile Dump Valve Kit



Discontinued Models

Key #	Part #	Description
-------	--------	-------------

Black Diamond

- 1 ---- 42798 Weight Pouch, 16lb, Surelock II
- 2 ---- 42768 Weight Pouch, 16lb, Surelock
- 3 ---- 42716 Weight Pouch, Universal, 16 lb
- 4 ---- 15071 Screw (for Multi-set Waistband)
- 5 ---- 15072 Nut (for Multi-set Waistband)
- 6 ---- 15309 Gasket, Universal Connector
- 7 ---- 45825 MP Braided Hose, 25", SM
- 8 ---- 45827 MP Braided Hose, 27", MD-XL
- 9 ---- 28228 Universal Cylinder Band
- 10 ---- 42754 Dump Valve Kit, Universal
- 11 ---- 427039 Chest Strap Kit (1996+)

- Optional Upgrades*
- 12 ---- 427030 Waistband Expander Kit, 2-req'd (adds 6" in length)
- 13 ---- 427038 Crotch Strap Kit (1997+)
- 14 ---- 427042 Twin Tank Kit, Unv Tnkbn (Lrg Contour Pack only)
- 427107 Twin Tank Kit, Griplock (Lrg Contour Pack only)
- 15 ---- 427040 Carry Handle Kit (Large Contour Pack only)



Black Diamond Waist Bands

with Aqua Lung Swivel Buckle

- 17 ---- 431411 Waistband Assy, 377/304, SM, w/Surelock
- 18 ---- 431412 Waistband Assy, 377/304, MD, w/Surelock
- 19 ---- 431413 Waistband Assy, 377/304, ML, w/Surelock
- 20 ---- 431414 Waistband Assy, 377/304, LG, w/Surelock
- 21 ---- 431415 Waistband Assy, 377/304, XL, w/Surelock

Black Diamond Waist Bands

with SeaQuest Swivel Buckle

- 22 ---- 430411 Waistband Assy, 377, SM, w/Surelock
- 23 ---- 430412 Waistband Assy, 377, MD, w/Surelock
- 24 ---- 430413 Waistband Assy, 377, ML, w/Surelock
- 25 ---- 430414 Waistband Assy, 377, LG, w/Surelock
- 26 ---- 430415 Waistband Assy, 377, XL, w/Surelock
- 27 ---- 43020.1 Waistband Assembly, 360, SM
- 28 ---- 43020.2 Waistband Assembly, 360, MD
- 29 ---- 43020.3 Waistband Assembly, 360, ML
- 30 ---- 43020.4 Waistband Assembly, 360, LG
- 31 ---- 43020.5 Waistband Assembly, 360, XL

Aqua Lung Swivel Buckle

SeaQuest Swivel Buckle



NOTE: The buckles are not interchangeable! Confirm, which model waistband you need by identifying the buckle type. The shoulder buckles are not sold separately.

Discontinued Models

Key # Part # Description

Diva LX • Diva XLT • Diva QD • Diva (Sea Quest)

- 1 ---- 42797 Weight Pouch, 10lb, Surelock II
- 2 ---- 42767 Weight Pouch, 10lb, Surelock
- 3 ---- 42726 Weight Pouch, Universal, 10lb
- 4 ---- 12019 Clip Lock, Multi-set Waistband
- 5 ---- 12235 Buckle, Female, 1.5", Airlock
- 6 ---- 12024 Buckle, Female, 1.5", Standard (pre-2002)
- 7 ---- 12240 Buckle, Female, 1.0", Airlock
- 8 ---- 12241 Buckle, Male, 1.0", Airlock
- 9 ---- 12048 Buckle, Female, 1.0" Standard (pre-2002)
- 10 ---- 12088 Buckle, Male, 1.0", Standard (pre-2002)
- 11 ---- 15309 Gasket, Universal Connector
- 12 ---- 45822 MP Braided Hose, 22", XS-MD
- 13 ---- 45825 MP Braided Hose, 25", ML-LG
- 14 ---- 42754 Dump Valve Kit, Universal
- 15 ---- 28228 Universal Cylinder Band
- 16 ---- 12039 Accessory Hose Clip
- 17 ---- 12060 Snaphook



Key # Part # Description

Latitude XLT • Latitude (Sea Quest)

- 1 ---- 42797 Weight Pouch, 10lb XS-ML, Surelock II (XLT)
 - 2 ---- 42767 Weight Pouch, 10lb, XS-ML Surelock (XLT)
 - 3 ---- 42726 Weight Pouch, Universal, 10lb
 - 4 ---- 42798 Weight Pouch, 16lb LG-XL, Surelock II (XLT)
 - 5 ---- 42768 Weight Pouch, 16lb LG-XL, Surelock (XLT)
 - 6 ---- 15309 Gasket, Universal Connector
 - 7 ---- 42754 Dump Valve Kit, Universal
 - 8 ---- 28228 Universal Cylinder Band
 - 9 ---- 10017 Traction Sleeve for Tank Band (XLT)
 - 10 ---- 12241 Buckle, Male, 1.0 Airlock (XLT)
 - 11 ---- 15665 Cap, Universal Connector
 - 12 ---- 45822 MP Braided Hose, 22" XS-MD
 - 13 ---- 45825 MP Braided Hose, 25" ML-LG
 - 14 ---- 45827 MP Braided Hose, 27" XL
 - 15 ---- 427190 Waistband Set, Adjustable Web, XS (XLT)
 - 16 ---- 427191 Waistband Set, Adjustable Web, SM (XLT)
 - 17 ---- 427192 Waistband Set, Adjustable Web, MD (XLT)
 - 18 ---- 427193 Waistband Set, Adjustable Web, ML (XLT)
 - 19 ---- 427194 Waistband Set, Adjustable Web, LG (XLT)
 - 20 ---- 427195 Waistband Set, Adjustable Web, XL (XLT)
 - 21 ---- 12247 Buckle, F, 2.0 Airlock (XLT)
 - 22 ---- 12248 Buckle, M, 2.0 Airlock (XLT)
 - 23 ---- 12235 Buckle, F, 1.5 Airlock
 - 24 ---- 12261 Buckle, M, 1.5 Airlock
 - 25 ---- 427039 Chest Strap Kit
- Backpack Parts**
- 26 ---- 12126 Backpack Frame (XLT)
 - 27 ---- 12127 Pack Cradle, W/Pad Installed, Blk (XLT)
 - 28 ---- 15129 Bolt, 19mm Hex, Brass, Chrome/Pltd (XLT)
 - 29 ---- 15130 Nut, 19mm Hex, Brass, Chrome/Pltd (XLT)



Discontinued Models

Key # Part # Description

Malibu (Aqua Lung/Sea Quest)

- 1 ---- 42726 Weight Pouch, Universal, 10lb
- 2 ---- 42754 Dump Valve Kit, Universal
- 3 ---- 10017 Traction Sleeve, Universal Tank Band
- 4 ---- 28228 Universal Cylinder Band
- 5 ---- 761947 Stabilizer Strap, Cylinder
- 6 ---- 12024 Buckle, Female, 1.5", Standard
- 7 ---- 12037 Buckle, Male, 1.5", Standard
- 8 ---- 12235 Buckle, Female, 1.5", Airlock
- 9 ---- 12261 Buckle, Male, 1.5", Airlock
- 10 ---- 12240 Buckle, Female, 1.0", Airlock
- 11 ---- 12241 Buckle, Male, 1.0", Airlock
- 12 ---- 15309 Gasket, Universal Connector
- 13 ---- 45825 MP Braided Hose, 25", XS-MD
- 14 ---- 45827 MP Braided Hose, 27", LG-XL
- 15 ---- 427039 Chest Strap Kit
- 16 ---- 12060 Snaphook (in key pocket)
- 17 ---- 088152 Cord Lock for Mesh Bag (post 9/05)



Key # Part # Description

Pacifica (Sea Quest)

- 1 ---- 15309 Gasket, Universal Connector
 - 2 ---- 42754 Dump Valve Kit, Universal
 - 3 ---- 28228 Universal Cylinder Band
 - 4 ---- 10017 Traction Sleeve for Tank Band
 - 5 ---- 12241 Buckle, Male, 1.0, Airlock
 - 6 ---- 15665 Cap, Universal Connector
 - 7 ---- 45822 MP Hose, Braided, 22", XS-MD
 - 8 ---- 45825 MP Hose, Braided, 25", ML-LG
 - 9 ---- 45827 MP Hose, Braided, 27", XL
 - 10 ---- 427190 Waistband Set, Adjustable Web, XS
 - 11 ---- 427191 Waistband Set, Adjustable Web, SM
 - 12 ---- 427192 Waistband Set, Adjustable Web, MD
 - 13 ---- 427193 Waistband Set, Adjustable Web, ML
 - 14 ---- 427194 Waistband Set, Adjustable Web, LG
 - 15 ---- 427195 Waistband Set, Adjustable Web, XL
 - 16 ---- 12247 Buckle, F, 2.0, Airlock, Blk 5502100
 - 17 ---- 12248 Buckle, M, 2.0, Airlock, Blk 5501100
- Backpack Parts**
- 18 ---- 12126 Backpack Frame
 - 19 ---- 12127 Pack Cradle, w/ Pad Installed, Blk
 - 20 ---- 15129 Bolt, 19mm Hex, Brass Chrome/Pltd
 - 21 ---- 15130 Nut, 19mm Hex, Brass Chrome/Pltd
 - 22 ---- 427096 Backpad, Black, Universal



Discontinued Models

Key #	Part #	Description
-------	--------	-------------

Passport 2006-07 (Sea Quest)

- 1 ---- 42726 Weight Pouch, Universal, 10lb
- 2 ---- 15309 Gasket, Universal Connector
- 3 ---- 42754 Dump Valve Kit, Universal
- 4 ---- 28228 Universal Cylinder Band
- 5 ---- 10017 Traction Sleeve for Tank Band
- 6 ---- 15665 Cap, Universal Connector
- 7 ---- 45822 MP Braided Hose, 22", XS-MD
- 8 ---- 45825 MP Braided Hose, 25", ML-LG
- 9 ---- 45827 MP Braided Hose, 27", XL
- 10 ---- 427190 Waistband Set, Adjustable Web, XS (2007)
- 11 ---- 427191 Waistband Set, Adjustable Web, SM (2007)
- 12 ---- 427192 Waistband Set, Adjustable Web, MD (2007)
- 13 ---- 427193 Waistband Set, Adjustable Web, ML (2007)
- 14 ---- 427194 Waistband Set, Adjustable Web, LG (2007)
- 15 ---- 427195 Waistband Set, Adjustable Web, XL (2007)
- 16 ---- 12247 Buckle, F, 2.0" Airlock (2007)
- 17 ---- 12248 Buckle, M, 2.0" Airlock (2007)
- 18 ---- 12240 Buckle, F, 1.0" Airlock (2006)
- 19 ---- 12241 Buckle, M, 1.0" Airlock (2006)
- 20 ---- 427039 Chest Strap Kit
- 21 ---- 088152 Cord Lock

Backpack Parts

- 22 ---- 12126 Backpack Frame (2007)
- 23 ---- 12127 Pack Cradle, w/ Pad Installed, Blk (2007)
- 24 ---- 15129 Bolt, 19mm Hex, Brass Chrome/Pltd (2007)
- 25 ---- 15130 Nut, 19mm Hex, Brass Chrome/Pltd (2007)
- 26 ---- NLA Backpad w/ Mesh Bag, (2007)



Key #	Part #	Description
-------	--------	-------------

Pearl i3 (Sea Quest)

- 1 ---- 42797 Weight Pouch, 10lb, Surelock II
- 2 ---- 42767 Weight Pouch, 10lb, Surelock
- 3 ---- 12003 Zip Pull w/ Cord
- 4 ---- 12019 Waistband Clip Lock for Multi-set
- 5 ---- 12235 Buckle, Female, 1.5" Airlock
- 6 ---- 12261 Buckle, Male, 1.5" Airlock
- 7 ---- 12277 Pull Knob, Nyl, Blk
- 8 ---- 15309 Gasket, Universal Connector
- 9 ---- 15430 Cover, QD, w/ Cord, i3 Inflator
- 10 ---- 45827 MP Braided Hose, 27" (XS, SM)
- 11 ---- 45833 MP Braided Hose, 33" (MD, ML, LG)
- 12 ---- 15428 Hose Hat, MP Hose
- 13 ---- 28228 Universal Cylinder Band
- 14 ---- 42773 Oral Inflator Assembly



Discontinued Models

Key # Part # Description

Pro LT (Aqua Lung)

- 1 ---- 42797 Wt Pouch, 10lb, Surelock II, XS-ML
- 2 ---- 42798 Wt Pouch, 16lb, Surelock II, LG-XL
- 3 ---- 12247 Buckle, Female, 2.0" Airlock
- 4 ---- 12248 Buckle, Male, 2.0" Airlock
- 5 ---- 12241 Buckle, Male, 1.0" Airlock
- 6 ---- 15309 Gasket, Universal Connector
- 7 ---- 45822 MP Braided Hose, 22", XS-MD
- 8 ---- 45825 MP Braided Hose, 25", ML-LG
- 9 ---- 45827 MP Braided Hose, 27", XL
- 10 --- 28228 Universal Cylinder Band
- 11 --- 42754 Dump Valve Kit, Universal
- 12 --- 12003 Zip Pull, W/Cord
- 13 --- 12234 Pull Knob, Blk
- 14 --- 427190 Waistband Set, Adjustable Web, XS
- 15 --- 427191 Waistband Set, Adjustable Web, SM
- 16 --- 427192 Waistband Set, Adjustable Web, MD
- 17 --- 427193 Waistband Set, Adjustable Web, ML
- 18 --- 427194 Waistband Set, Adjustable Web, LG
- 19 --- 427195 Waistband Set, Adjustable Web, XL
- 20 --- 427196 Waistband Set, Adjustable Web, XXL
- 21 --- 42764 Low Profile Dump Valve Kit

Backpack Parts

- 22 --- 12131 Backpack Frame
- 23 --- 12132 Cradle, Co-Molded
- 24 --- 15437 Screw, 10 X 3/4" Panhead (need 6)
- 25 --- 427096 Backpad, Black, Universal



Key # Part # Description

Pro QD (Aqua Lung)

- 1 ---- 42797 Wt Pouch, 10lb, Surelock II, XS-ML
- 2 ---- 42798 Wt Pouch, 16lb, Surelock II, LG-XL
- 3 ---- 12247 Buckle, Female, 2.0" Airlock
- 4 ---- 12248 Buckle, Male, 2.0" Airlock
- 5 ---- 12241 Buckle, Male, 1.0" Airlock
- 6 ---- 15309 Gasket, Universal Connector
- 7 ---- 45822 MP Braided Hose, 22", XS-MD
- 8 ---- 45825 MP Braided Hose, 25", ML-LG
- 9 ---- 45827 MP Braided Hose, 27", XL
- 10 --- 28228 Universal Cylinder Band
- 11 --- 42754 Dump Valve Kit, Universal
- 12 --- 12003 Zip Pull, W/Cord
- 13 --- 12234 Pull Knob, Blk
- 14 --- 427190 Waistband Set, Adjustable Web, XS
- 15 --- 427191 Waistband Set, Adjustable Web, SM
- 16 --- 427192 Waistband Set, Adjustable Web, MD
- 17 --- 427193 Waistband Set, Adjustable Web, ML
- 18 --- 427194 Waistband Set, Adjustable Web, LG
- 19 --- 427195 Waistband Set, Adjustable Web, XL
- 20 --- 427196 Waistband Set, Adjustable Web, XXL
- 21 --- 42764 Low Profile Dump Valve Kit

Backpack Parts

- 22 --- 12131 Backpack Frame
- 23 --- 12132 Cradle, Co-Molded
- 24 --- 15437 Screw, 10 X 3/4" Panhead (need 6)
- 25 --- 427096 Backpad, Black, Universal



Discontinued Models

Key #	Part #	Description
Pro • Pro QD • Pro XLT (Sea Quest)		
<i>Weight Pouches (Pro QD, Pro XLT)</i>		
1 ----	42797	Wt Pouch, 10lb, Surelock II, XS-ML
2 ----	42767	Wt Pouch, 10lb, Surelock, XS-ML
3 ----	42726	Wt Pouch, 10lb, Universal, XS-ML
4 ----	42798	Wt Pouch, 16lb, Surelock II, LG-XXL
5 ----	42768	Wt Pouch, 16lb, Surelock, LG-XXL (ML on XLT)
6 ----	42716	Wt Pouch, 16lb, Universal, LG-XXL
7 ----	12235	Buckle, Female, 1.5", Airlock (Pro, Pro QD)
8 ----	12261	Buckle, Male, 1.5", Airlock (Pro, Pro QD)
9 ----	12241	Buckle, Male, 1.0", Airlock (Pro, Pro QD)
10 ----	12024	Buckle, Female, 1.5", Standard (pre-2002)
11 ----	12037	Buckle, Male, 1.5", Standard (pre-2002)
12 ----	12088	Buckle, Male, 1.0", Standard (pre-2002)
13 ----	15309	Gasket, Universal Connector
14 ----	45822	MP Braided Hose, 22", XS-MD
15 ----	45825	MP Braided Hose, 25", ML-LG
16 ----	45827	MP Braided Hose, 27", XL/XXL
17 ----	28228	Universal Cylinder Band
18 ----	42754	Dump Valve Kit, Universal
19 ----	427040	Carry Handle Kit (Large Contour Pack only)
20 ----	12060	Snaphook
21 ----	4270901	Waistband, Pro XLT, SM
22 ----	4270902	Waistband, Pro XLT, MD
23 ----	4270903	Waistband, Pro XLT, ML
24 ----	4270904	Waistband, Pro XLT, LG
25 ----	4270905	Waistband, Pro XLT, XL
26 ----	427042	Twin Tank Kit, Unv Tnkbn (Lrg Contour Pack only)
----	427107	Twin Tank Kit, Griplock (Lrg Contour Pack only)

Key #	Part #	Description
Pro QD i3 (Sea Quest)		
1 ----	42797	Weight.Pouch, 10lb, Surelock II, XS-ML
2 ----	42767	Weight Pouch, 10lb, Surelock, XS-ML
3 ----	42798	Weight Pouch, 16lb, Surelock II, LG-XXL
4 ----	42768	Weight Pouch, 16lb, Surelock, LG-XXL
5 ----	12235	Buckle, Female, 1.5" Airlock
6 ----	12261	Buckle, Male, 1.5" Airlock
7 ----	12241	Buckle, Male, 1.0" Airlock
8 ----	12060	Snap Hook
9 ----	15309	Gasket, Universal Connector
10 ----	45827	MP Braided Hose, 27" (SM)
11 ----	45833	MP Braided Hose, 33" (MD, ML, LG)
12 ----	45836	MP Braided Hose, 36" (XL)
13 ----	45840	MP Braided Hose, 40" (XXL)
14 ----	15428	Hose Hat
15 ----	28228	Universal Cylinder Band
16 ----	427040	Carry Handle Kit (Large Contour Pack only)
17 ----	42773	Oral Inflator Assembly
18 ----	12277	Pull Knob, Nyl, Blk
19 ----	15430	Cover, QD, w/ Cord, i3 Inflator



Discontinued Models

Key # Part # Description

Pro Unlimited (Sea Quest)

- 1 ----42797 Weight Pouch, 10lb, Surelock II, XS-ML
- 2 ----42767 Weight Pouch, 10lb, Surelock, XS-ML
- 3 ----42798 Weight Pouch, 16lb, Surelock II, LG-XXL
- 4 ----42768 Weight Pouch, 16lb, Surelock, LG-XXL
- 5 ----12235 Buckle, Female, 1.5", Airlock
- 6 ----12261 Buckle, Male, 1.5", Airlock
- 7 ----12024 Buckle, Female, 1.5", Standard (pre-2002)
- 8 ----12037 Buckle, Male, 1.5", Standard (pre-2002)
- 9 ----12060 Snaphook
- 10 ----12114 Batten, Adjustable Lumbar System
- 11 ----15309 Gasket, Universal Connector
- 12 ----16317 Nut, Squeeze Lock Knife
- 13 ----16319 Screw, Metric, Squeeze Lock Knife (July '04)
- 14 ----16320 Nut, Metric, Squeeze Lock Knife
- 15 ----45822 MP Braided Hose, 22", SM-MD
- 16 ----45825 MP Braided Hose, 25", ML-LG
- 17 ----45827 MP Braided Hose, 27", XL-XXL
- 18 ----28228 Universal Cylinder Band
- 19 ----42754 Dump Valve Kit, Universal
- 20 ----12019 Clip Lock, Multi-set Waistband
- 21 ----41952 Knife Hose Mount Kit, Squeeze Lock Knife
- 22 ----427040 Carry Handle Kit (Large Contour Pack only)
- 23 ----427039 Chest Strap Kit
- 24 ----427042 Twin Tank Kit, Unv Tnkband (Lrg Contour Pack only)
- 427107 Twin Tank Kit, Griplock (Lrg Contour Pack only)



Key # Part # Description

Wave • Wave Jr. 2005-09 (Sea Quest)

- 1 ----15309 Gasket, Universal Connector
- 2 ----42754 Dump Valve Kit, Universal
- 3 ----28228 Universal Cylinder Band
- 4 ----10017 Traction Sleeve for Tank Band
- 9 ----12241 Buckle, Male, 1.0, Airlock
- 10 ----15665 Cap, Universal Connector
- 11 ----45822 MP Braided Hose, 22" (Jr.)
- 12 ----45827 MP Braided Hose, 27" XS-XL
- 14 ----427189 Waistband Set, Adjustable Web, Jr.
- 15 ----427190 Waistband Set, Adjustable Web, XS
- 16 ----427191 Waistband Set, Adjustable Web, SM
- 17 ----427192 Waistband Set, Adjustable Web, MD
- 18 ----427193 Waistband Set, Adjustable Web, ML
- 19 ----427194 Waistband Set, Adjustable Web, LG
- 20 ----427195 Waistband Set, Adjustable Web, XL
- 21 ----12247 Buckle, F, 2.0, Airlock, Blk
- 22 ----12248 Buckle, M, 2.0, Airlock, Blk

Backpack Parts

- 5 ----12126 Backpack Frame
- 6 ----12127 Pack Cradle, w/ Pad Installed, Blk
- 7 ----15129 Bolt, 19mm Hex, Brass Chrome/Pltd
- 8 ----15130 Nut, 19mm Hex, Brass Chrome/Pltd
- 13 ----427096 Backpad, Wave/Pacifica, Unv

Wave Jr. Part Only

- 23 ----42718 Weight Pouch, 6 lb, Grey Handle
- 24 ----427056 Cylinder Band, 30 cu.ft. Cyl. (Jr. version)
- 25 ----427057 Crotch Strap Kit (Jr. version only)



Buoyancy Compensator Accesories

Aqua Lung

Apeks

Part # Description

Part # Description

BC Inflator Service Kits

BC Inflator Service Kits

42609 ---- Powerline Inflator
 900020 --- i3 Inflator
 42611 ---- BC Puncture Repair Kit
 42738 ---- Pull Dump Cord (25')

N/A **WTX Inflator**, All parts for service must be individually purchased
 42611 ---- BC Puncture Repair Kit
 42738 ---- Pull Dump Cord (25')

Part # Description

Part # Description

Aqua Lung Cylinder Bands

Apeks Cylinder Bands

428230 --- GripLock Tank Band (for Wrapture Pack)
 428210 --- GripLock Tank Band (for non-Wrapture Pack)
 28228 ---- Universal Cylinder Band
 10017 ---- Traction Sleeve for Univ Cylinder Band
 12134 ---- Traction Sleeve, Small
 427042--- Twin Tank Kit, Univ Tnkband (Lrg Contour Pack only)
 427107--- Twin Tank Kit, Griplock (Lrg Contour Pack only)
 427105--- Twin Tank Kit, Griplock, AQ, Wrapture

428240 ---GripLock Tank Band (for Wrapture Pack)
 428250 ---GripLock Tank Band (for non-Wrapture Pack)
 28228 ---- Universal Cylinder Band
 10017 ---- Traction Sleeve for Univ Cylinder Band
 427106----Twin Tank Kit, Apeks, Wrapture

Part # Description

Air Source Hi-Flow MP Inflator Hoses

25460-- 3/8 x 27, Airsource 2/3 w/quick disconnect,Braided
 15191-- 3/8 x 25, (for Airsource 3 w/shut-off valve)
 42639-- O-ring kit, Air Source Quick Disconnect

Miscellaneous

Part # Description

Part # Description

MP Inflator Hoses

Miscellaneous

45822 ---- MP Braided Hose, 3/8 x 22" Black
 45825 ---- MP Braided Hose, 3/8 x 25" Black
 45827 ---- MP Braided Hose, 3/8 x 27" Black
 45833 ---- MP Braided Hose, 3/8 x 33" Black
 45836 ---- MP Braided Hose, 3/8 x 36" Black
 45840 ---- MP Braided Hose, 3/8 x 40" Black
 43827 ---- MP Hose, 3/8 x 27" Black, (for Wave BC)

42705-- BC Carry Bag, Grey
 42719-- BC Carry Bag, Black (Women's BCS)
 427031 Waistband Expander for 4" to 5.5" wide band
 (adds up to 8" in length)

Weight Pouches

SureLock 2 (10lb)
42797



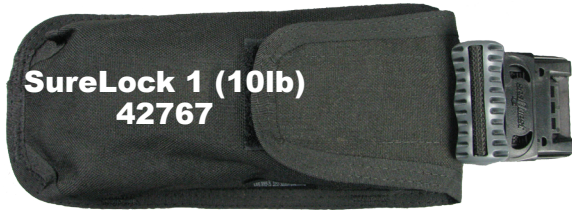
SureLock 2 (15lb)
42799



SureLock 2 (16lb)
42798



SureLock 1 (10lb)
42767



**Apeks SureLock (10lb)
for WTX**
42784



SureLock 1 (16lb)
42768



Universal (10lb)
42726



Universal (16lb)
42716



Wave Jr Pouch (6lb)
42718



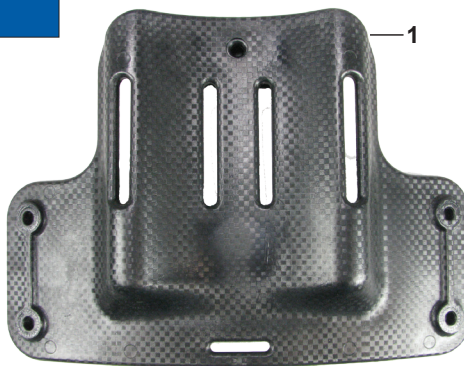
Trim Pocket (5lb)
427085



BackPack Components

Key #	Part #	Description
-------	--------	-------------

- Wrapture**
- 1 ---- 12121 Wrapture Backpack/Frame
 - 22121 Wrapture Backpack/Frame (Blk Ice)
 - 2 ---- 12137 Plate (oval Shaped)
 - 3 ---- 15050 Screw, 10-24 X 3/8" (for center of pack)
 - 4 ---- 15051 Threaded Barrel (for center of pack)
 - 5 ---- 15136 Screw, 10-24 X 3/4" (for plate)
 - 6 ---- 15135 Flanged Nut, 10-24 (for plate)



For The Following Models:

**Axiom, Axiom i3, Dimension i3,
Lotus i3, Soul i3, Black Ice**

Key #	Part #	Description
-------	--------	-------------

- 1 ---- 12131 Backpack Frame
- 2 ---- 12132 Cradle, co-molded (strap not included)
- 3 ---- 15437 Screw, 10 X 3/4" (need 6)

For The Following Models:

**Pro HD, Pro LT, Pro QD 08>,
Wave 10>**

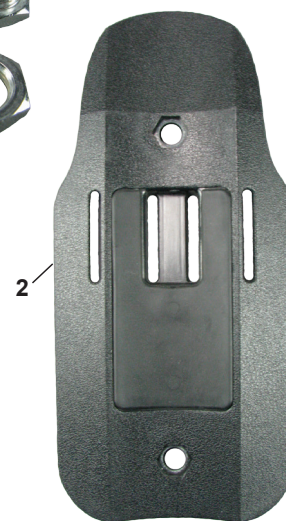


Key #	Part #	Description
-------	--------	-------------

- 1 ---- 12126 Backpack Frame
- 2 ---- 12127 Cradle, w/ Pad Installed, Blk
- 3 ---- 15129 Bolt, 19mm Hex, Brass, Chrome/Pltd
- 4 ---- 15130 Nut, 19mm Hex, Brass, Chrome/Pltd

For The Following Models:

**Latitude, Latitude XLT, Pacifica,
Passport, Wave 05-09**



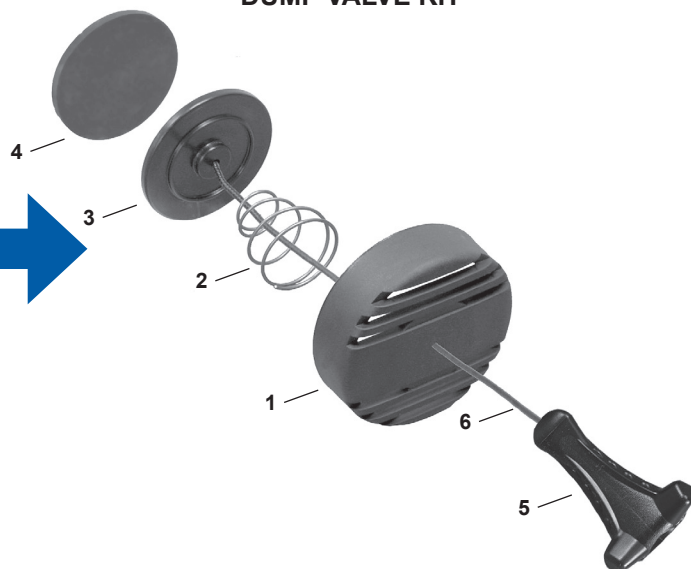
Cap-Off • Dump Valve Kits

CAP-OFF



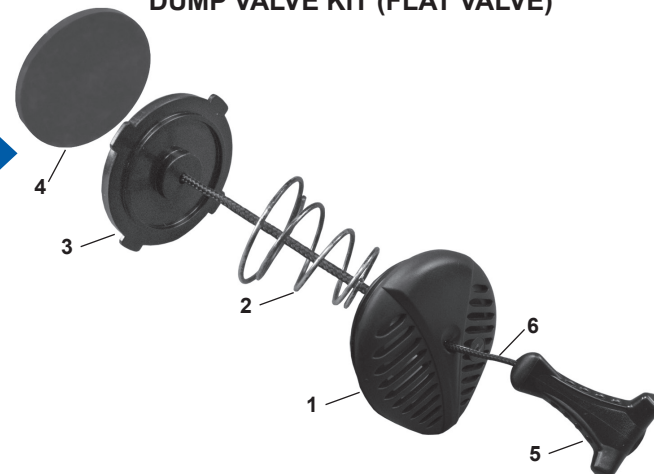
Key #	Part #	Description
1----	15309	Gasket, Connector Seal
2----	15665	Cap, Connector, Acme Thread

DUMP VALVE KIT



Key #	Part #	Description
----	42754	Dump Valve Kit, Acme Thread
1----	10079	Cap, Over Pressure
2----	15617	Spring
3----	15650	Plate
4----	15604	Seal
5----	12277	Pull Knob
6----	42738	Pull Dump Cord (25')


DUMP VALVE KIT (FLAT VALVE)




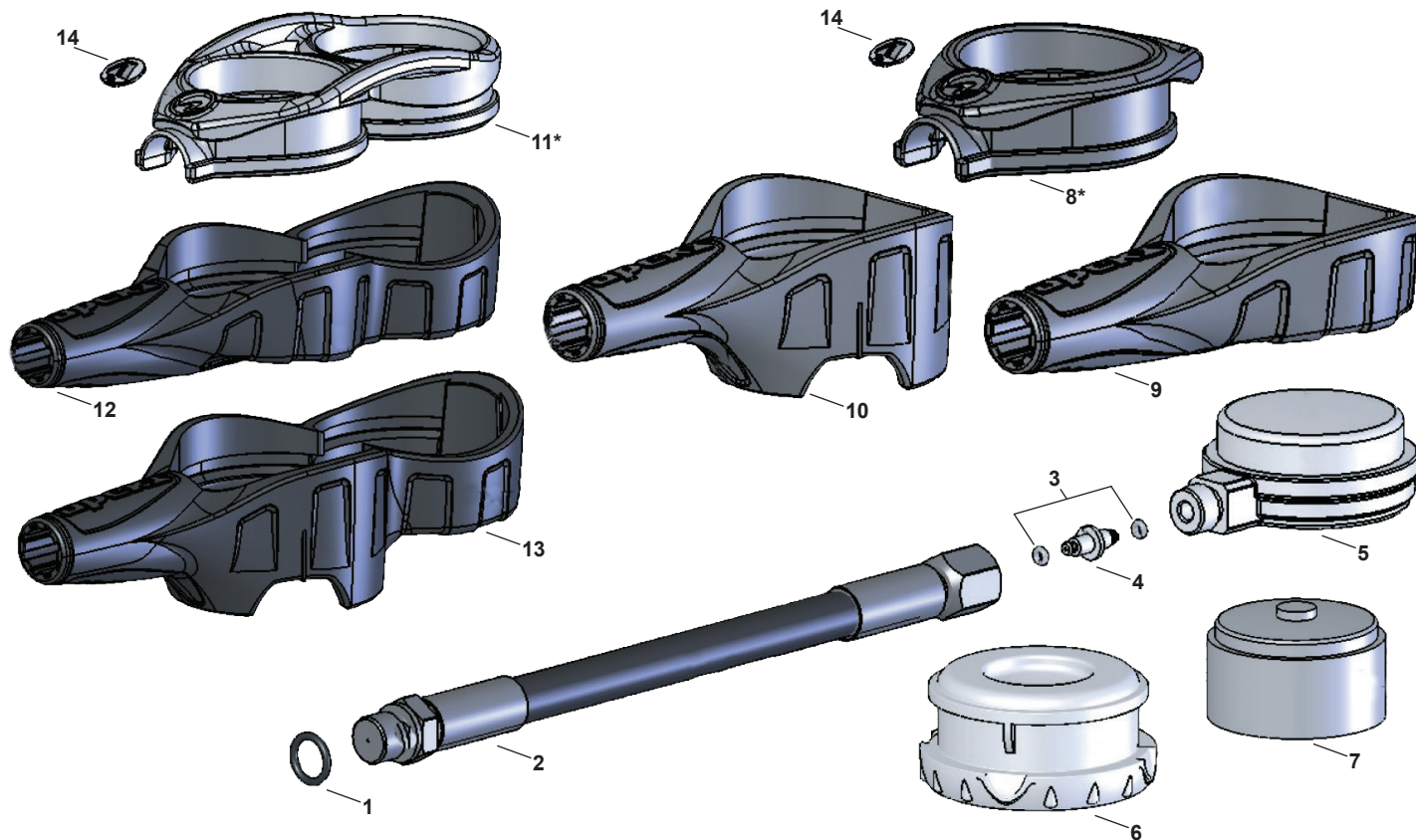
Key #	Part #	Description
----	42764	Dump Valve Kit, Flat Valve
----	42704	Dump Valve Kit, Flat Valve (Apeks)
1----	15441	Cap, Low Profile, Blk
----	15451	Cap, Low Profile, Blk (Apeks)
2----	15617	Spring
3----	15442	Seal Plate, Low Profile
4----	15443	Seal, Low Profile
5----	12277	Pull Knob
----	12234	Pull Knob (Apeks)
6----	42738	Pull Dump Cord (25')

Part numbers in **BOLD ITALICS** indicate standard overhaul replacement part.

Apeks Analog Instruments

 ***NOTE:** The bezel #11, will only fit on boots #12 and #13.

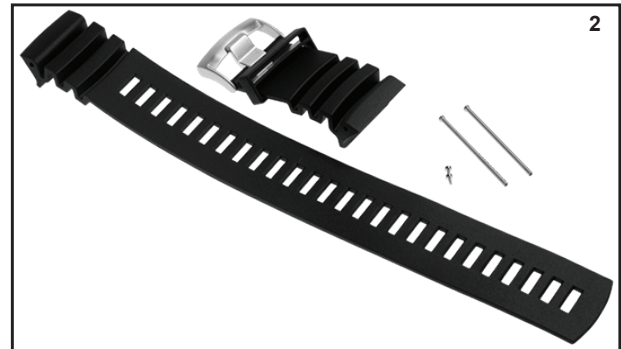
 ***NOTE:** The bezel #8, will only fit on boots #9 and #10.



Key #	Part #	Description
1	AP1445P	O-ring (10 pk)
2	AP7610	HP Hose, 800mm
3	AP1157P	O-ring (10 pk)
4	AP522002P	HP Spool w/no O-rings (5 pk)
5	AP5745	SPG, Module, Brass, 5000 psi
6	AP5706	Compass, Module
7	AP5746	Depth Gauge, Module, 230 ft
8	AP5702	Bezel, Pewter
	AP5702NP	Bezel, Green, O2
9	AP5701	Boot, SPG only
10	AP5731	Boot, 2-Gauge, SPG/Cmps
11	AP5703	Bezel, 2-Gauge, Pewter
12	AP5704	Boot, SPG/Depth
13	AP5705	Boot, SPG/Depth/Cmps
14	AP7596B	Logo, Insert, Blk

Part numbers in **BOLD ITALICS** indicate standard overhaul replacement part.

Eon Steel



Key #	Part #	Description
-------	--------	-------------

- | | | |
|-----|--------|-----------------------------------|
| 1 | 203100 | Boot |
| 2 | 203110 | Strap Replacement Kit (w/pins) |
| 3 | 203090 | Bungee Adapter |
| 4 | 203070 | USB Interface Cable |
| 5 | 187990 | Charger |
| 6 | 210270 | Scratch Guard, Stick-On (1-piece) |
| N/S | 117360 | Soft Pouch, Eon Steel |

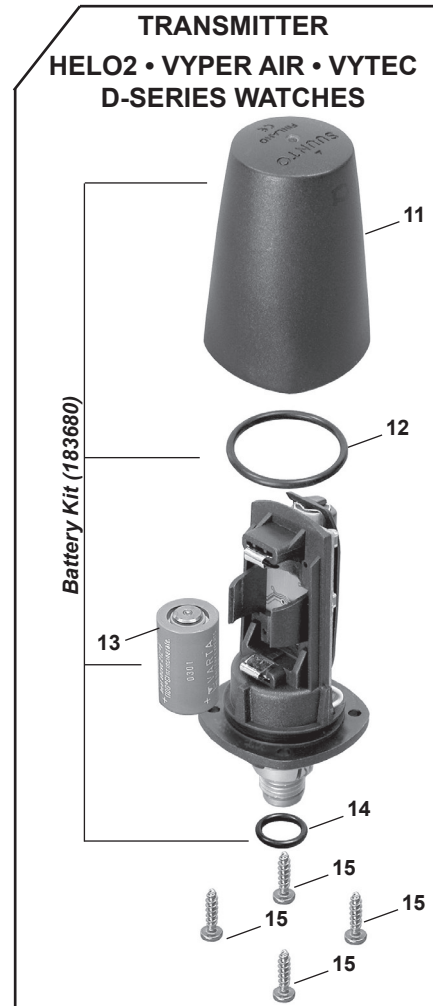


Part numbers in ***BOLD ITALICS*** indicate standard overhaul replacement part.

Tank Pod • Transmitter



Key #	Part #	Description
-----	203080	Battery Kit (includes items 11, 12 & Battery)
11 ----	N/A	Cap
12 ----	N/A	O-ring
13 ----	957004P	O-ring, HP (25 pk)
14 ----	K5542	Screw (4 required)
N/S ---	N/A	Battery, Lithium 3.6v



Key #	Part #	Description
-----	183680	Battery Kit (includes items 11, 12, 13, 14)
11 ----	V5824	Cap
12 ----	N/A	O-ring
13 ----	N/A	Battery, 1/2AA Lithium, 3v
14 ----	957004P	O-ring, HP (25 pk)
15 ----	K5542	Screw (4 required)

Part numbers in **BOLD ITALICS** indicate standard overhaul replacement part.

Cobra 3 • Cobra 2 • Cobra



Key #	Part #	Description
	413194	Battery Kit (Includes items 11, 12, 13, 15)
	188980	Module, Cobra 3, Black
	V5876	Module, Cobra
1	V6281	Hook
2	211200	Compass Module, SK8, N.Hemisphere
3	K5459	Boot, Compass, SK8/7, CB71
4	185920	End Cap, Black
	14411	End Cap, Blue
	413205	End Cap, Silver
5	13145	Shield, Display, Cobra 3/2
	V5850	Shield, Display, Cobra
6	14410	Boot, Front, Cobra 3
	12780	Boot, Front, Cobra 2

Key #	Part #	Description
	413206	Boot, Front, Cobra
7	NLA	Hose Protector
8	730486	Air Spool, SPG, w/O-rings, Single
9	19631	Hose, HP, Braided, 7/16 x 31.5 w/2-Hose Protectors
	102023	Hose, HP, Rubber 7/16 x 38
10	N/A	Battery
11	413195	Spacer, Battery
12	N/A	O-ring
13	413196	Cover, Battery, w/Beeper
14	413197	Ring, Retaining, Battery Cover
15	413207	Back Cover, Cobra Boot
16	413208	Screw, Cobra Boot (4 required)

Part numbers in **BOLD ITALICS** indicate standard overhaul replacement part.

Helo2 • Vyper Air • Vytec • Vyper 2 • Vyper • Zoop • Gekko



Key #	Part #	Description
	413194	Battery Kit (includes items 5, 6, 7 & 9)
----	188990	Module, Vyper Air, Black
----	5404M	Module, Vyper
----	14900	Module, Zoop, Black
----	16425	Module, Zoop, Orange
1a----	413168	Boot, Wrist, Vyper
1b----	131380	Boot, Wrist, Vyper Air/2
1c----	14517	Boot, Wrist, Helo2
2----	V5875	Shield, Display, Zoop, Gekko, Vytec, Vyper
----	131260	Shield, Display, Vyper Air/2, Helo2
3----	413191	Spring Bar

Key #	Part #	Description
4----	413167	Strap, Wrist, Helo2, Vyper (incl. 2 spring bars)
N/S----	13194	Strap, Wrist, Vyper Air/2 (no spring bars)
5----	N/A	Battery
6----	413195	Spacer, Battery
7----	N/A	O-ring
8----	413196	Cover, Battery, w/Beeper
N/S----	14512	Cover, Battery, Hel02
9----	413197	Ring, Retaining, Battery Cover
10----	413166	Adapter, Console (CB52)
11----	206280	Bungee Boot

Part numbers in **BOLD ITALICS** indicate standard overhaul replacement part.

D4i Novo • D4i • D4 • D6i • D6 • DX • D9TX • D9

Key #	Part #	Description
1-----	204480	Strap Extension, Black Silicone, D4i Novo
-----	206240	Strap Extension, Pink Silicone, D4i Novo
-----	211270	Strap Extension, Grey Silicone, D4i Novo
-----	206210	Strap Extension, Blue Silicone, D4i Novo
-----	206220	Strap Extension, Lime Silicone, D4i Novo
-----	204490	Strap Extension, White Silicone, D4i Novo
-----	13386	Strap Extension, Black, D4
-----	14014	Strap Extension, Blue, D4
-----	14015	Strap Extension, Yellow, D4
-----	14016	Strap Extension, Pink, D4
-----	14518	Strap Extension, Red, D4
2-----	204420	Strap, Black Silicone, w/screws, D4i Novo
-----	204460	Strap, Pink Silicone, w/screws, D4i Novo
-----	211240	Strap, Grey Silicone, w/screws, D4i Novo
-----	204430	Strap, Blue Silicone, w/screws, D4i Novo
-----	204440	Strap, Lime Silicone, w/screws, D4i Novo
-----	204470	Strap, White Silicone, w/screws, D4i Novo
-----	13586	Strap Kit, Black, D4
-----	20023	Strap Kit, Twilight, D4
-----	14011	Strap Kit, Blue, D4
-----	185490	Strap Kit, Hot Pink, D4
-----	14012	Strap Kit, Yellow, D4
-----	14013	Strap Kit, Pink, D4
-----	14436	Strap Kit, Red, D4
3-----	13400	Strap Loop, D4
N/S-----	13587	Display Guard, Stick On



D4i • D4



D6i • D6

Key #	Part #	Description
1-----	212670	Strap Extension, Black Silicone, D6i
-----	156660	Strap Extension, Black, D6
-----	185500	Strap Extension, White, D6
2-----	212650	Strap Kit, Black Silicone, D6i
-----	212660	Strap Kit, All-Black Silicone, D6i
-----	12606	Strap Kit, Black, D6
-----	186070	Strap Kit, All-Black, D6
-----	187450	Strap Kit, White, D6
3-----	11986	Screw, strap, D6
4-----	12605	Display shield w/retainer ring
5-----	120850	Strap Loop
N/S-----	194800	Bracelet, Stainless Steel, Black, D6
N/S-----	13525	Bracelet, Stainless Steel, D6
N/S-----	13587	Display Guard, Stick On
N/S-----	135260	Kit, SS Links (2), D6

Key #	Part #	Description
1-----	212640	Strap extension, Black Silicone, DX
-----	213210	Strap extension, All-Black Silicone, DX
-----	182150	Strap extension, Black, D9TX
-----	156670	Strap extension, Black, D9
2-----	19570	Screw Pin, Black, (1), DX (Ti strap)
-----	19022	Screw Pin, Black, (1), DX (elastomer strap)
-----	182970	Screw Pin, Silver, (1), D9TX (Ti strap)
-----	168660	Screw Pin, Silver, (1), D9TX (elastomer strap)
-----	11130	Screw, (1), D9
3-----	212630	Strap Kit, Black Silicone, DX
-----	190190	Strap Kit, Black, DX
-----	182030	Strap Kit, Black, D9TX
-----	11415	Strap with screws, D9
4-----	168650	Strap Loop, DX
-----	11120	Strap Loop, D9
N/S-----	195540	Bracelet, Titanium, Blk, DX
N/S-----	182040	Bracelet, Titanium, D9TX
N/S-----	120413	Bracelet, Titanium, D9
N/S-----	195550	Ti Links, Blk (2), DX
N/S-----	182050	Kit, Ti Links (2), D9TX
N/S-----	13542	Kit, Ti Links (2), D9
N/S-----	13587	Display Guard, Stick On



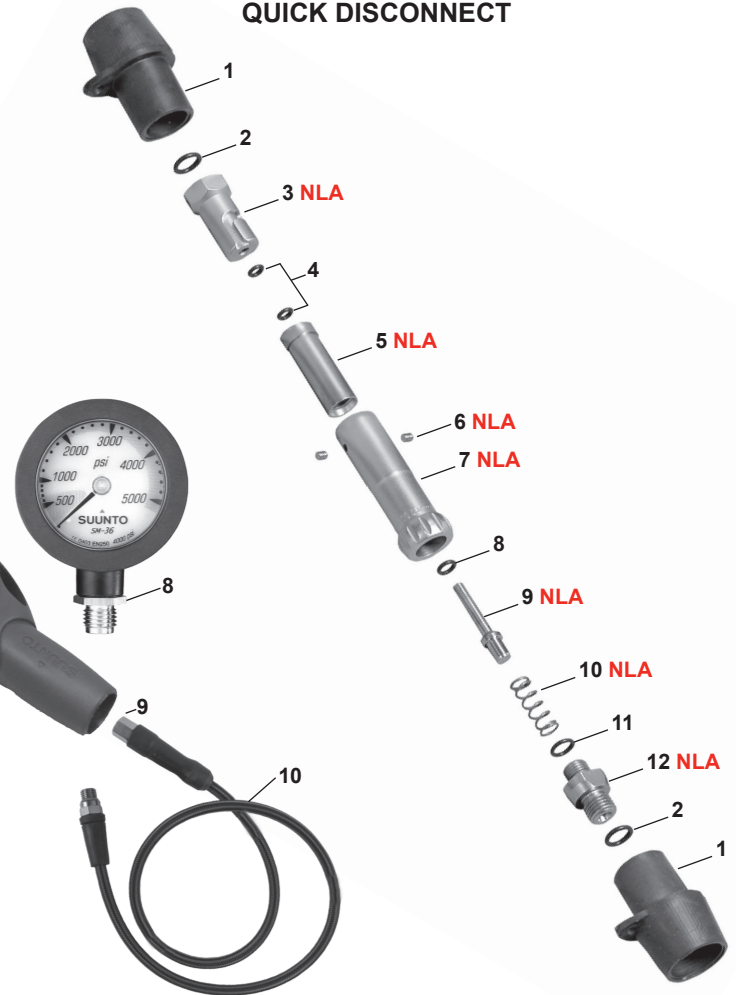
DX • D9TX • D9

Suunto CB Console • Quick Disconnect

CB CONSOLE



QUICK DISCONNECT



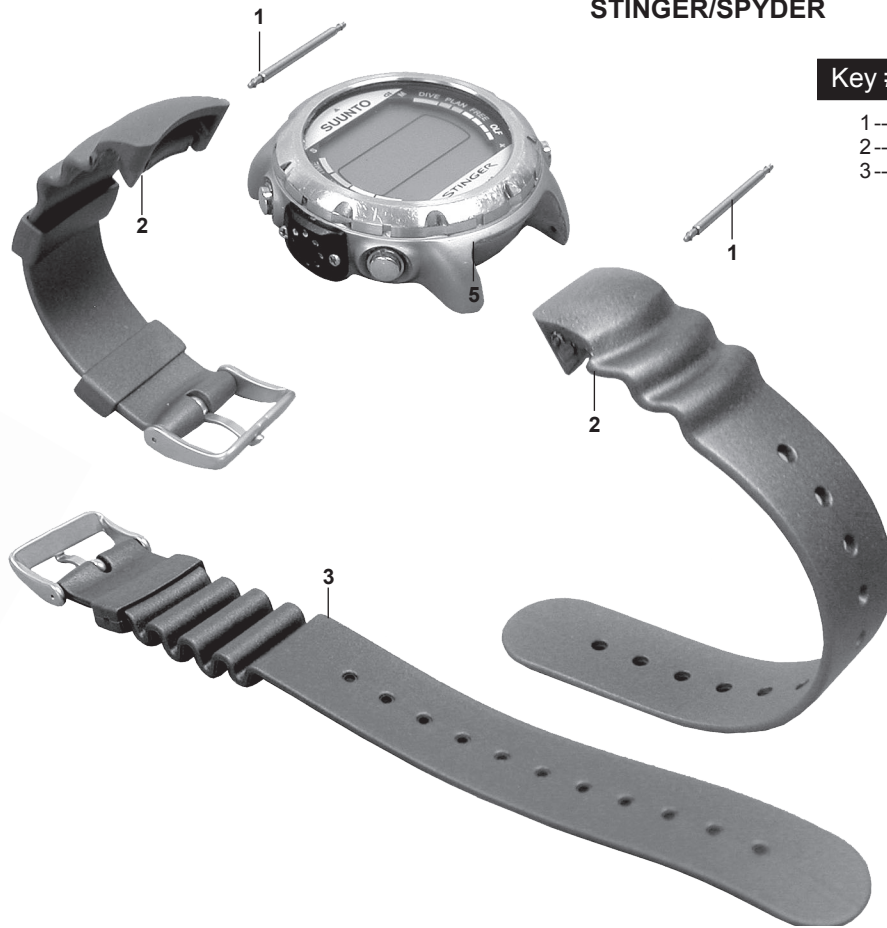
Key #	Part #	Description
1	V6281	Clip, End Mount
2	211200	Compass Module, SK8, N.Hemisphere
3	K5459	Boot, SK7 Endmount
4	185920	End Cap, Black
	413205	End Cap, Silver
5	5237	Boot Kit, CB1 (includes 4, 6, 7)
6	K5200	Backplate, CB1 Boot
7	413208	Screw
8	41175	SPG, Imperial, 5000 PSI
	5108M	SPG, Metric, 300 Bar
9	730486	Air Spool, SPG, w/O-rings, Single
10	19631	Hose, HP, Braided 7/16 x 31.5 w/2-Hose Protectors
	102023	Hose, HP, Rubber 7/16 x 38
11	41128	Module, Depth Gauge, 150'
	V5306	Module, Depth Gauge, 230
	5041M	Module, Depth Gauge, 70M'
12	5236	CB Inline Boot Kit, (includes 7)
13	6311	Bezel Kit, SK7, Backmount
14	K5201	Boot, SK7, Backmount

Key #	Part #	Description
1	V5887	Plug, Rubber (single)
2	957004P	O-ring, HP (25 pk)
3	NLA	QR Fitting, Male
4	K5168	O-ring, Internal (2 required)
5	NLA	HP Housing
6	NLA	Pin, Retaining
7	NLA	QR Fitting, Female
8	K5172	O-ring, Valve Pin
9	NLA	Valve Pin
10	NLA	Spring
11	K5166	O-ring
12	NLA	Fitting, HP

Part numbers in **BOLD ITALICS** indicate standard overhaul replacement part.

Stinger • Spyder • Mosquito • D3

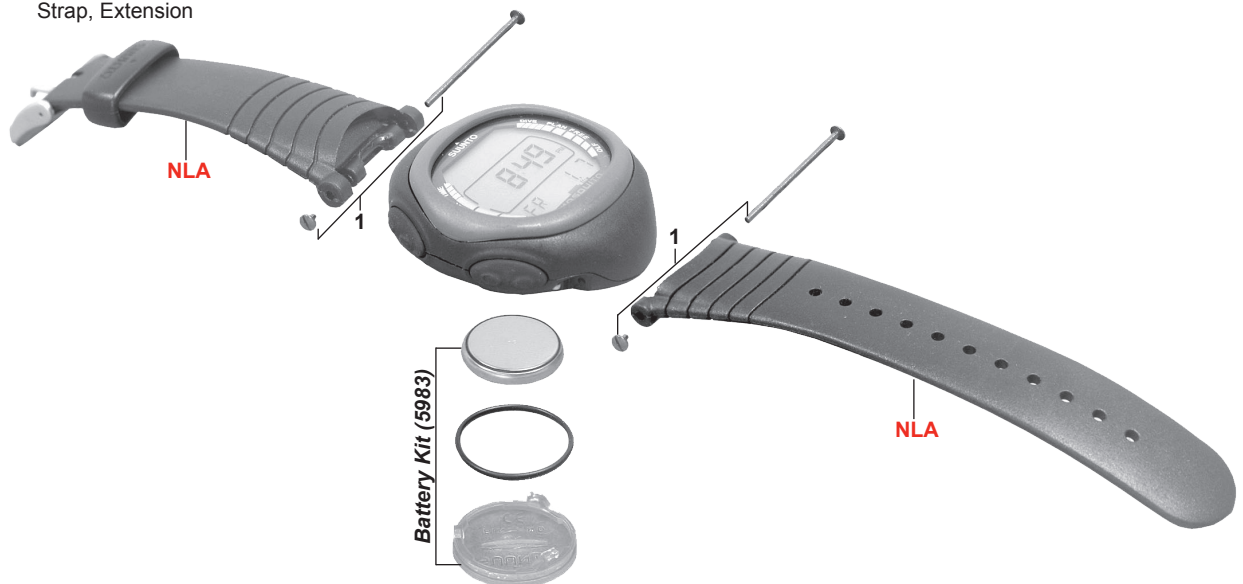
STINGER/SPYDER



Key #	Part #	Description
1----	413186	Spring Bar, Stinger/Spyder
2----	58380	Strap, Elastomer, Grey (incl. ext strap)
3----	5984	Strap, Extension, Black

Key #	Part #	Description
----	5983	Battery Kit, Mosquito/D3
1----	K4515	Pin, Qty 1
N/S	5984	Strap, Extension

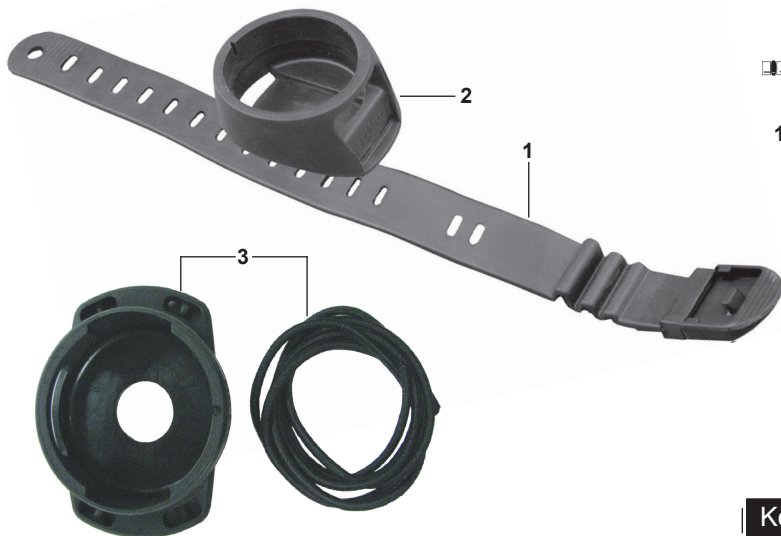
MOSQUITO/D3



Part numbers in **BOLD ITALICS** indicate standard overhaul replacement part.

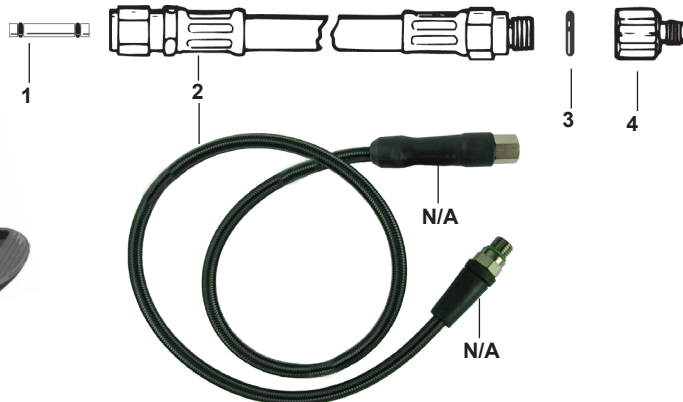
Compass Wrist Boot • Straps • Miscellaneous

SK8/7 WRIST BOOT



Key #	Part #	Description
1----	413138	Strap, Wrist, Rubber
2----	413170	Boot, Wrist, SK8/7
3----	206270	Bungee Boot, SK8/7 Compass

SUUNTO HP HOSE



Key #	Part #	Description
1----	730486	Air Spool, with O-rings
2----	19631	Hose, HP, Braided 7/16 x 31.5" w/2-Hose Protectors
	102023	Hose, HP, Rubber 7/16 x 36"
3----	957004P	O-ring, HP (25 pk)
4----	101785	Adapter, HP, 7/16" Female to 3/8" Male

MISCELLANEOUS PARTS (not shown)

Key #	Part #	Description
1----	413109	Boot, SPG, Strap Style
2----	413149	Screws, Backplate, Wrist Gauge, (4 pk)
3----	413147	Backplate for SM16 Depth Gauge
4----	745930	Retractor Kit, Suunto Computers
5----	413203	Retractor, SK8/7, without Compass
6----	413210	Plate, Retractor (for add on SK8/7)
7----	413138	Wrist Strap (Favor S)
8----	413174	Bezel (SK8/7)
9----	413188	Friction Ring (SK8/7)
10----	211200	Compass Module, SK8, N.Hemisphere
11----	413139	Wrist Strap, Nylon (SK6)

APEKS HP HOSE (not shown)

Part #	Description
AP7610	Hose, HP, 7/16 x 800mm, Apeks
AP522002P	HP Spool w/no O-ring, (5 pk)
AP1157P	O-ring for spool, (10 pk)

BATTERY KITS (not shown)

Key #	Part #	Description
1----	203080	Battery Kit 3.6v (Eon Steel Tank Pod)
2----	413194	Battery Kit (Helo/Vytec/Cobra/Vyper/Zoop/Gekko)
3----	183680	Battery Kit (Transmitter)
4----	5983	Battery Kit (Mosquito / D3)
5----	413165	Battery Kit (Eon / Favor Air)
6----	413164	Battery Kit 3v (Favor / Companion)
7----	413163	Battery Kit 3.6v (Solution / Fusion / Favor Lux)

Masks • Snorkels

Aqua Lung Mask Parts

Key #	Part #	Description
		Seal • Sphera
1 ----	220312	Strap, Clear, Seal Mask
2 ----	220313	Strap, Black, Seal Mask

Look 2 • Favola • Micro • Infinity • Look HD • Teknika • Ventura + • Impression • Linea

1 ----	502537	Strap, Clear w/ Retainers
2 ----	502538	Strap, Black w/ Retainers
3 ----	505565	Buckle, Cardanic, Black, pair
4 ----	261192	Buckle, CBS Cardanic, Black, pair
5 ----	261194	Buckle, CBS Cardanic, Pink, pair
6 ----	261196	Buckle, CBS Cardanic, Twilight, pair
7 ----	261198	Buckle, CBS Cardanic, Arctic, pair
8 ----	503795	Lens Retainer, Right, Look 2
9 ----	503796	Lens Retainer, Left, Look 2
1 ----	261181	Center Retainer, Look 2, Red (2 pcs)
1 ----	261182	Center Retainer, Look 2, Blue (2 pcs)
1 ----	261183	Center Retainer, Look 2, Silver (2 pcs)



Visage

1 ----	401353	Strap, Silicone, Clear
2 ----	401354	Strap, Silicone, Black

Maui • Hawaii

1 ----	502514	Strap, Silicone, Clear
2 ----	502524	Strap, Silicone, Black
3 ----	502522	Retainer, Strap, Black

Wraparound

1 ----	502608	Buckle, Pair, Black Metal
2 ----	507709	Strap, Silicone, Black
3 ----	507708	Strap, Silicone, Clear
4 ----	502611	Purge Valve w/ Retainer
5 ----	502522	Retainer, Strap, Black

Pacifica / Atlantis

1 ----	503605	Buckle, Left & Right
2 ----	507709	Strap, Silicone, Black
3 ----	507708	Strap, Silicone, Clear
4 ----	15852	Purge Valve (Pacifica)
5 ----	502522	Retainer, Strap, Black

Tyke • Mythos • Falco

1 ----	502537	Strap, Clear w/Retainers
2 ----	502538	Strap, Black w/Retainers

Quartz

1 ----	502527	Strap & Buckle Assembly, Black
2 ----	502521	Strap & Buckle Assembly, Clear
3 ----	502514	Strap, Silicone, Clear
4 ----	504652	Retainer, Strap, Quartz/Cortez
5 ----	502528	Buckle Assembly

Look

1 ----	503629	Buckle, Left
2 ----	503628	Buckle, Right
3 ----	42457	Strap, Silicone, Clear
4 ----	42411	Retainer, Strap, Black

Mask Boxes

1 ----	505020	Box, Plastic, Hawaii/Quartz/Cortez
--------	--------	------------------------------------

Sea Quest Mask Parts

Key #	Part #	Description
1 ----	42457	Strap, Idea
2 ----	42410	Strap, Ventura, Black
3 ----	42411	Retainer, Strap, Ventura

AQUA LUNG SNORKEL PARTS



Impulse Snorkels

Key #	Part #	Description	
1 ----	734407	Keeper, Impulse 1,2 or 3	
2 ----	105838	Comfo-Bite Mouthpiece, Std, Impulse 1,2 or 3	
	-----	105848	Comfo-Bite Mouthpiece, Sm, Impulse 1,2 or 3
	-----	734409	Comfo-Bite Mouthpiece, Std, Blk, Impulse 1,2 or 3
3 ----	100122	Purge Valve Diaphragm, Impulse 1,2 or 3	
4 ----	734408	Flex Section, Clear, Impulse 3 only	
	-----	734411	Flex Section, Blk, Impulse 3 only

Snap Snorkels

Key #	Part #	Description
N/S ---	734333	Keeper, Snap Snorkel

Sea Quest Snorkels

Key #	Part #	Description
1 ----	105838	Mouthpiece, Sidedraft
2 ----	15852	Purge valve, Sidedraft
3 ----	734332	Snorkel Keeper, Silicone

Fins • Knives • Lights

Aqua Lung Fin Parts

Key #	Part #	Description
X-Shot • Shot FX		
1	----- 261892	Spring Strap Assy, 1ea, White, 11"(28cm) Shot FX small
	----- 261893	Spring Strap Assy, 1ea, White, 11.8"(30cm) Shot FX regular, large
	----- 261894	Spring Strap Assy, 1ea, Char, 11.8"(30cm) X-Shot small
	----- 261895	Spring Strap Assy, 1ea, Char, 12.6"(32cm) X-Shot regular
	----- 261896	Spring Strap Assy, 1ea, Char, 13.4"(34cm) X-Shot large
Slingshot • Hotshot		
1	----- 622600	ESBS Strap/Buckle Assy, Red (1-strap w/2 Buckles),Slingshot
	----- 622605	ESBS Strap/Buckle Assy, Blue (1-strap w/2 Buckles),Slingshot
	----- 622610	ESBS Strap/Buckle Assy, Silver (1-strap w/2 Buckles),Slingshot
2	----- 62911	Strap, Hotshot
3	----- 261888	Strap Cover, Green (6-pieces),Hotshot
	----- 261889	Strap Cover, Pink (6-pieces),Hotshot
	----- 261891	Strap Cover, Blue (6-pieces),Hotshot
4	----- 62587	Powerbands, Spare, Red (2-pieces),Slingshot
	----- 62588	Powerbands, Spare, Silver (2-pieces),Slingshot
	----- 62589	Powerbands, Spare, Blue (2-pieces),Slingshot
<i>Powerbands for Hotshot are available by contacting Customer Service</i>		
Express ADJ • Stratos ADJ • Caravelle ADJ		
1	----- 622600	ESBS Strap/Buckle Assy, Red (1-strap w/2 Buckles)
	----- 622605	ESBS Strap/Buckle Assy, Blue (1-strap w/2 Buckles)
	----- 622610	ESBS Strap/Buckle Assy, Silver (1-strap w/2 Buckles)
2	----- 622615	Strap/Buckle Assy (1-strap w/2 Buckles) Stratos ADJ
Rocket • Rocket II • Compro		
1	----- 621502	Strap, Rocket or Compro, for Wire Buckles
2	----- 621132	Strap, Rocket Fin II
3	----- 621131	Buckles, Metal, Rocket Fin II (1 pair)
4	----- 622680	Strap/Buckle Assembly, Quick-Release, Rocket II
Older Models		
1	----- 622695-R	Strap/Buckle Assy, Right, Hands-Free, Blades 2
2	----- 622695-L	Strap/Buckle Assy, Left, Hands-Free, Blades 2
3	----- 622690	Strap/Buckle Assy, V-Tek
4	----- 622680	Strap/Buckle Assy, All AQ Fins (except V-Tek)

Sea Quest Fin Parts

Key #	Part #	Description
1	----- 42454	Strap, Idea Fin
2	----- 622680	Strap/Buckle Assy, Idea Fin
3	----- 42458	Strap/Buckle Assy, Thruster/Accelerator

Aqua Lung Knife Parts

Key #	Part #	Description
1	----- 41942	Strap/Buckle Assembly, Mako/Vector/Sea Hawk 2/ Sea Master
2	----- 422441	Sheath, Sea Hawk 2 & Sea Master
3	----- 422613	Retaining Ring, Sea Hawk 2/SeaMaster

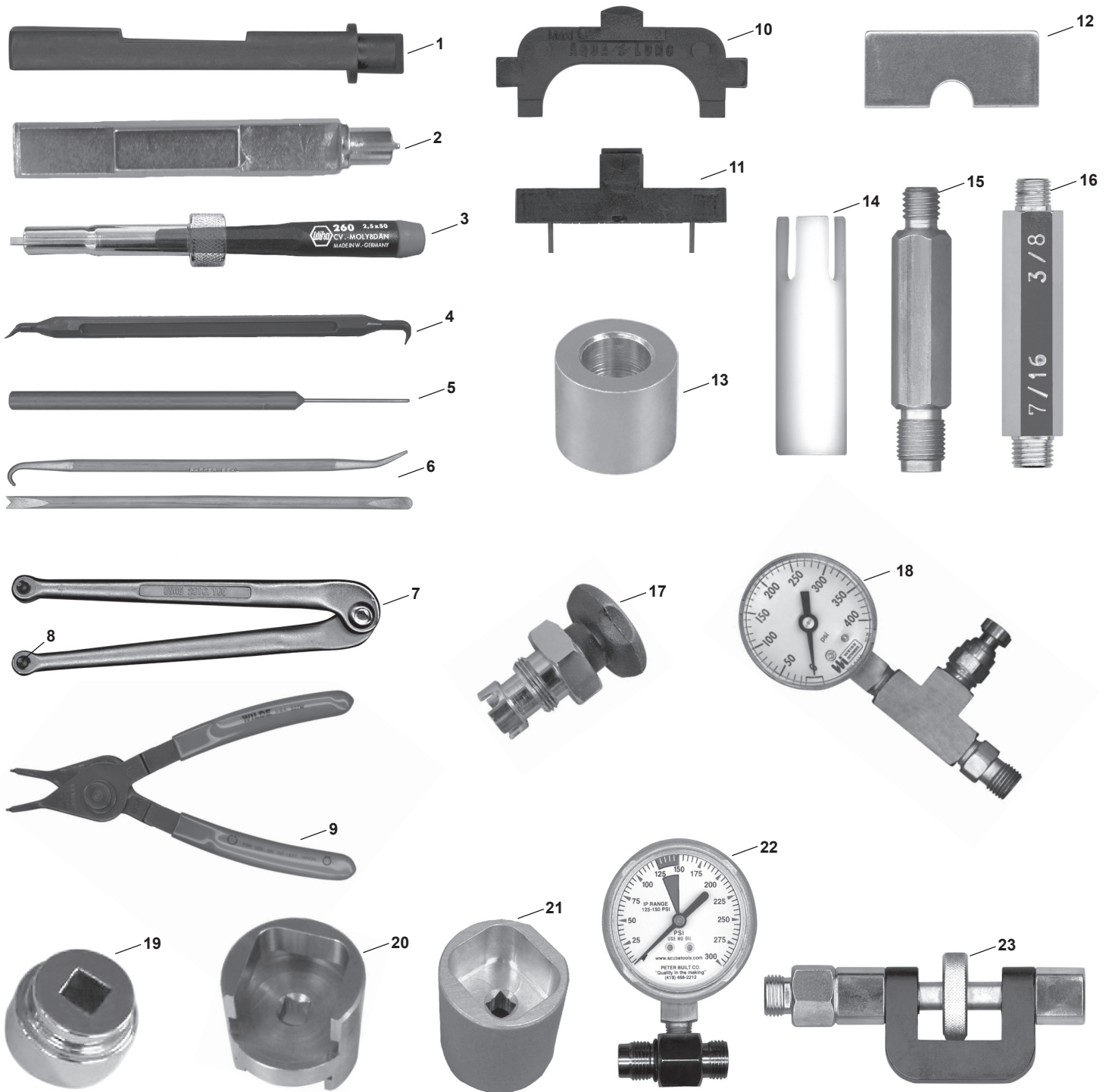
Aqua Lung Light Parts

Key #	Part #	Description
1	----- 266003	LED Repair Kit, Alu Solo (spring, contact plate, LED circuit)

Sea Quest Knife Parts

Key #	Part #	Description
Squeeze Lock Knife		
1	----- 42652	Nut/Screw Set, Squeeze Lock, 1 ea.
2	----- 41942	Knife Strap/Buckle, 24", Pair

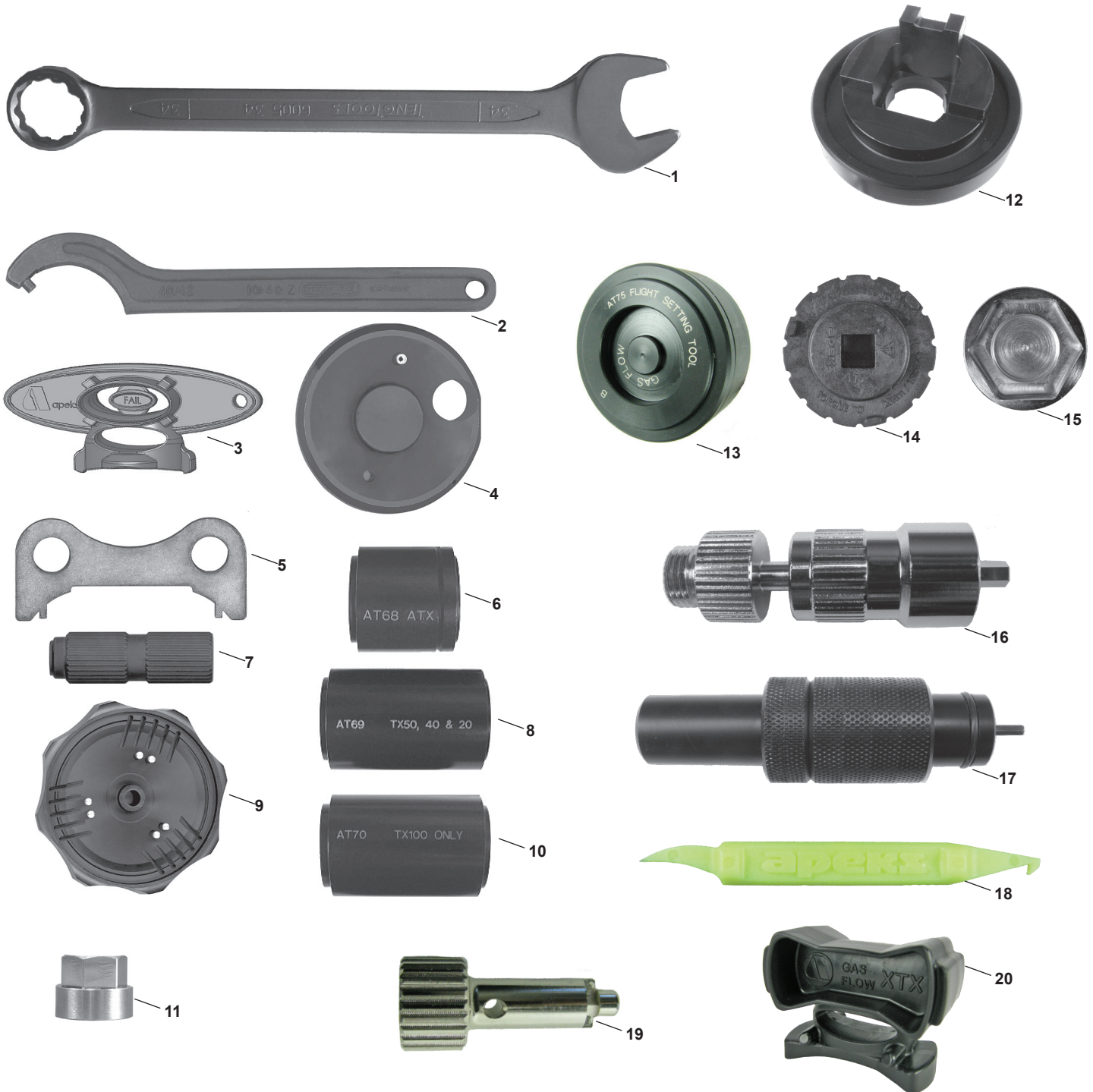
Aqua Lung / Sea Quest Regulator Tools



Key #	Part #	Description
1	125727	Crown Lever Adjustment Tool
2	127686	Kronos Seat/Lever Adjustment Tool
3	101680	Lever Height Adjustment Tool
4	103102	O-ring Tool, Plastic (5-pk)
5	109437	Seat Installation/Extraction Tool
6	944022	O-ring Tool Set
7	129198	Adjustable Face Spanner
8	129197	Pin, Replacement, Adj. Spanner (1 each)
9	111100	Circlip Pliers, Reversible
10	129001	Titan LX Retaining Ring/Lever Height Tool
11	100188	Micra Retaining Ring Tool
12	081247	Supreme Retainer Wrench

Key #	Part #	Description
13	111000	HP Spring Block Assy Guide
14	100884	Micra ADJ Lever Installation Tool
15	100395	Vise Mounting Tool
16	5116230	Vise Mounting Tool
17	111003	Poppet Wrench, Conshelf
18	111610	Test Pressure Gauge, 400 PSI
19	111001	Socket, Inlet Fitting, 26mm
20	122152	Socket, Spring Retainer, Legend/Mistral
21	111002	Socket, Spring Retainer, Titan/Cousteau
22	111605	Inline Test Gauge
23	100190	Inline Adjustment Tool, Slotted & Hexed
N/S	108357	Deluxe Workmat with Windows

Apeks Regulator Tools

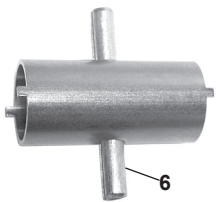
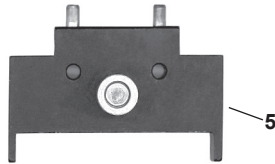
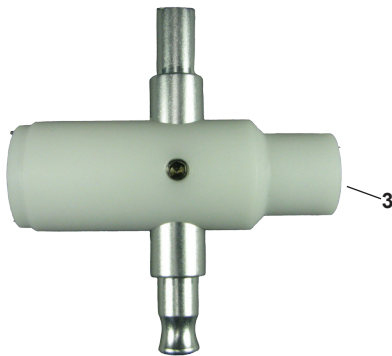


Key #	Part #	Description
1	AT47	Wrench, 34mm (Thin)
2	AT30	Pin Spanner
3	AT20	XTX Cover/Lever Height Tool
4	AT31	ATX/TX Cover Tool
5	AT42	TX100 Cover Tool
6	AT68	Lever Height Tool, ATX
7	AT45	Spring Adjuster Tool
8	AT69	Lever Height Tool, TX50, 40 & 20
9	AT62	Egress Cover/Lever Height Tool
10	AT70	Lever Height Tool, TX100
11	AT21	Status, Valve Lifter Fastener

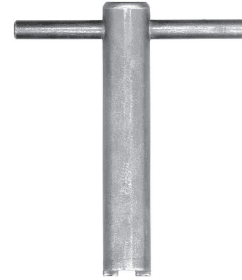
Key #	Part #	Description
12	AT77	Venturi/Inlet Removal Tool, Flight
13	AT75	Lever Height Tool, Flight
14	AT71	Diaphragm Clamp Tool, Flight
15	AT74	Yoke Connector Socket, Flight
16	AT72F	Inline Adjustment Tool, Flight
17	AT76	Micro Adjuster Tool, Flight
18	AT79K	O-ring Tool, (6-pak)
19	AT51	Seat Adjustment Tool
20	AT20F	2013 XTX Cover/Lever Height Tool

BC & Air Source • Valve

BC & AIR SOURCE TOOLS



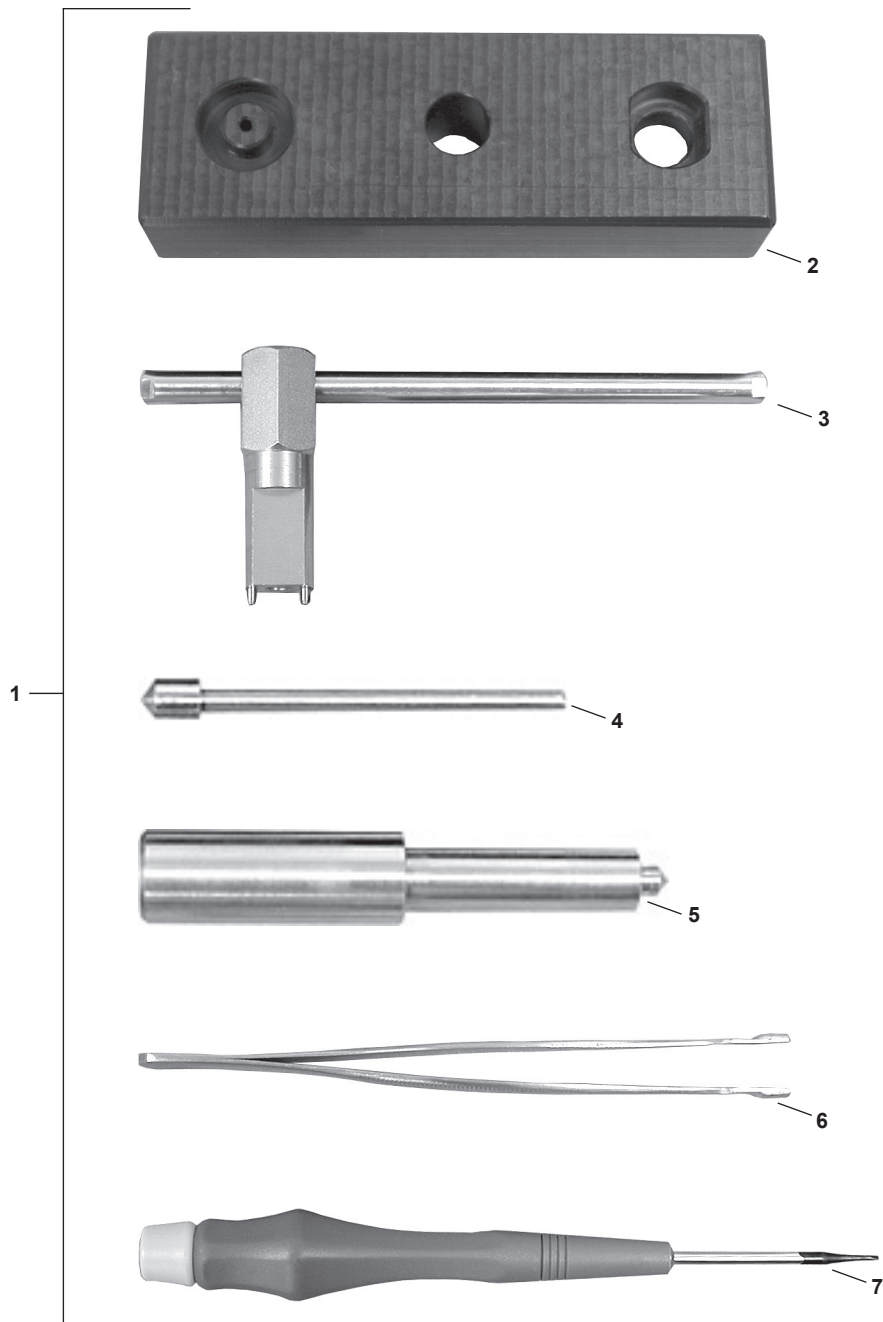
VALVE TOOLS



Key #	Part #	Description
1	053035	Valve Handwheel Tool

Key #	Part #	Description
1	778700	Valve Core Tool, Dual Side
2	15192	Airsource 3, Inline Adjustment Tool
3	42314	Air Source T-Tool
4	AT7009	Swivel Inflator Tool
5	42315	Air Source Multi Tool
6	15762	Apeks Inflator Tool
7	42316	Air Source Oral Assembly Tool
8	778679	Retaining Collar Wrench, Air Mic
N/S	42611	BC Patch Kit

Suunto HP Quick Disconnect Tools



Key #	Part #	Description
1	5590	Quick Disconnect Tool Kit
2	V5505	Service Base
3	V5506	Disassembly Wrench
4	V5501	Guiding Pin, Small
5	V5502	Guiding Pin
6	K5630	Tweezers, O-ring Installation
7	K5854	Screwdriver

Part Number Index

Index

Numbers

053035.....95	100888.....34	M105320.....12	108357.....93
054114.....58	100924.....30	105106.....12, 15, 16, 18	108504.....28
054201.....58	101012.....12	105139.....28	108510.....28, 34
054203.....58	101504.....12	105323.....12	108514.....28
054204.....58	101509.....16, 17, 18	105324.....12, 16, 18	108515.....34
054205.....58	101549.....12	105326.....12	108530.....28
054207.....58	101565.....17	105327.....12	108535.....28
054208.....58	101569.....16, 18	105333.....12	108538.....28
054209.....58	101680.....93	105831.....34, 36	108652.....12
054211.....58	101727.....12	105838.....34, 36, 91	108810.....12
054212.....58	101728.....12	105848.....34, 36, 91	108851.....12
054215.....58	101785.....12, 36, 37, 90	105879.....28, 36	108853.....12
054216.....58	101919.....28	105884.....28, 36	108854.....12
054221.....58	102002.....5, 6, 7, 16, 18	105885.....28, 36	108855.....12
054228.....58	102004.....28	105940.....5, 6, 7, 8, 9, 10, 12,13, 14, 15, 16, 17, 18	108865.....12
054242.....58	102023.....85, 88, 90	105944.....12	109437.....93
054261.....58	102510.....19, 26, 27, 28, 30, 35	106022.....16, 17	109438.....20, 21, 22, 23, 24, 25, 26, 27, 29, 31, 32, 33, 35, 36
081247.....93	102708.....28	106026.....7,12, 16, 17, 18	109512.....20,21, 22, 23, 24,29,31,32, 33, 36, 37
088152.....73, 74	103101.....16, 18	106056.....12, 16, 18	111000.....93
090015.....28, 36	103102.....93	106057.....12	111001.....93
090018.....60, 62, 64	103104.....16	106303.....17	111002.....93
090025.....28, 36	103105.....45	106304.....17	111003.....93
090039.....28	103133.....8, 9, 10, 11, 13, 15, 16, 18	106317.....12, 16, 17	111100.....93
100103.....34	103137.....8, 9, 10, 11, 12, 13, 15, 16, 18	106318.....12, 16, 17	11120.....87
100108.....34	103162.....16, 18	106319.....12, 16, 17, 18	11130.....87
100109.....34	103172.....16, 36	106322.....17	111605.....93
100110.....34	103174.....16, 18	106323.....17	111610.....93
100119.....34	103176.....16, 18	106324.....17	11415.....87
100122.....30, 34, 54, 91	103182.....16	106326.....17	116922.....30
100128.....19,27,30,34, 35	103182.....16	106327.....17	116923.....30, 54
100132.....34	103425.....12,14,16,17, 18	106337.....12, 16, 17, 18	116925.....30
100136.....34	103429.....12	106338.....12, 16, 17	116926.....30
100143.....34	103706.....28	106339.....17	116927.....30
10017.....69, 70, 72, 73, 74, 77, 78	103732.....28	106356.....7, 12, 14, 16, 17, 18	116928.....30
100181.....34	104101.....35	106726.....11	116929.....30
100188.....93	104102.....23,29,31,32, 35	106738.....19,26,27,30, 35	116930.....30
100190.....93	104106.....19, 27, 30, 35	106767.....11	117360.....83
100395.....93	104108.....35	106771.....11	119129.....5, 6,7,8,9, 10, 12,13, 14,15,16, 17, 18
100444.....28	104112.....35	106839.....17	119159.....5, 6, 7, 8, 9, 10, 13, 15
100525.....12, 16, 17	104113.....35	106843.....6, 11, 15, 16, 18	11986.....87
10079.....81	104122.....19,26,27,30, 35	107001.....28	12003.....66, 67, 68, 70, 74, 75
100841.....34	104127.....19, 27, 30, 35	107443.....10, 12, 14, 16, 17, 18	120161.....67
100843.....34	104129.....19,26,27,30, 35	107455.....12, 36	120162.....67
100845.....34	104134.....19, 27, 30, 35	107506.....12	12017.....70
100853.....34	104138.....21, 22, 24, 25, 26, 27,29,30,31,32,33, 35,36, 49, 51, 52, 54, 56, 57	107507.....14	12019.....72, 74, 77
100854.....34	104304.....12	107508.....11	12024.....72, 73, 76, 77
100856.....34	104613.....12	107605.....28	12037.....73, 76, 77
100862.....34	104903.....28	107606.....28	12039.....72
100872.....34	104913.....28, 30, 34, 35, 48, 50, 51, 52, 53, 54, 55, 56, 57	107607.....28	120413.....87
100884.....93	104940.....28	107700.....12	12048.....72
		107818.....30	12060.....72, 73, 76, 77
		107822.....35	
		108122.....28	
		108185.....12, 28	

Part Number Index

12071.....69	125710.....11	127585.....5, 6, 7, 8, 9, 13, 14, 15, 16, 17, 18	127876.....9
12084.....66, 67, 68	125712.....11		127877.....25
12085.....67	125713.....8, 11, 13, 15, 18	127586.....15	127878.....9
120850.....87	125717.....11	127587.....15	127881.....25
12088.....72, 76	125719.....27	127602.....33	127887.....25
12114.....77	125721.....27	127605.....33	127888.....9
12121.....66, 67, 68, 80	125724.....27	127606.....33	127889.....25
12126.....72,73,74,77, 80	125727.....93	127607.....25, 33	127925.....9
12127.....72,73,74,77, 80	125732.....27	127608.....33	127945.....9
12131.....68, 70, 75, 80	125734.....27	127609.....33	127965.....25
12132.....68, 70, 75, 80	125737.....26	127612.....33	128102.....31
12134.....67, 78	125740.....27	127614.....33	128103.....31
12137.....66, 67, 68, 80	125835.....27	127615.....33	128104.....31
12167.....68	125912.....20	127616.....33	128105.....31
122152.....93	125914.....20	127621.....33	128107.....31
122244.....5, 6, 7, 8, 9, 10, 13, 14, 15	125915.....20	127622.....33	128108.....31
12234.....66,67,68,75, 81	125916.....20	127624.....33	128111.....10, 13
12235.....68, 70, 72, 73, 74, 76, 77	125918.....20	127625.....33	128113.....10, 13
12240.....72, 73, 74	125924.....18	127626.....33	128115.....13
12241.....68, 70, 72, 73, 74, 75, 76, 77	125925.....20	127686.....93	128117.....8, 10, 13
12242.....70	125928.....19	12780.....85	128119.....13, 14
12247.....68, 70, 72, 73, 74, 75, 77	125929.....19	127801.....9, 10	128121.....13
12248.....68, 70, 72, 73, 74, 75, 77	125930.....19, 20	127803.....9	128122.....13
12252.....69	125931.....19	127804.....9	128123.....13
12253.....69	125932.....19, 36	127805.....9	128124.....8, 10, 13
12261.....68, 70, 72, 73, 74, 76, 77	125934.....19, 36	127807.....9	128142.....10, 13, 36
12277.....61, 67, 68, 69, 70, 74, 76, 81	125935.....19	127808.....9	128143.....10, 13
12285.....69	125937.....19	127814.....25	128205.....10
12308.....69	125939.....20	127815.....25	128265.....13
124509.....19, 26, 27, 35	125958.....19	127816.....25	128540.....26, 27
124555.....8, 9, 10, 11, 13, 14, 15, 16, 18	125975.....19, 20	127817.....25	128545.....10, 36
124560.....7, 12, 14, 16, 17, 18	125976.....19, 20	127818.....24, 25	128550.....26, 27
124570.....23, 24, 26, 27, 29, 30, 36	125979.....20	127819.....25	128595.....26
124573.....26, 27, 36	12605.....87	127821.....25	128602.....26
124576.....35	12606.....87	127822.....25	128603.....26
124577.....35	127562.....15	127823.....25	128604.....26
124578.....35	127563.....8, 9, 10, 13, 15	127825.....25	128605.....26
124611.....6, 7, 8, 10, 11, 13, 14, 17	127564.....8, 9, 10, 13, 15	127826.....25, 36, 37, 49	128606.....26
124628.....12, 16, 18	127565.....5, 6, 8, 9, 10, 13, 15	127827.....25	128609.....26
125237.....36	127566.....5, 6, 8, 9, 13, 15	127828.....25	128610.....26
125702.....27	127567.....5, 6, 8, 9, 10, 13, 15	127831.....9	128611.....26
125705.....19, 27	127568.....5, 6, 8, 9, 10, 13, 15	127832.....25	128612.....26
125706.....27		127833.....25	128613.....26
125707.....27	127571.....15	127835A.....25	128615.....26
125708.....19, 26, 27	127572.....15	127836.....25	128616.....26
125709.....27	127573.....15	127838.....25	128618.....26
	127574.....8, 13, 15	127839.....9	128619.....26, 36
	127575.....15	127842.....25	128620.....26, 36
	127576.....15	127843.....25	128621.....26
	127577.....15	127846.....25	128624.....21, 22, 23, 24, 25, 26, 27, 30, 36
	127579.....8, 13, 15	127848.....25	128628.....26
	127581.....8, 13, 15	127859.....21, 22, 25, 36	128631.....10, 11, 14, 16, 17, 18
	127582.....15	127865.....9, 36	128632.....10
	127583.....9, 15	127868.....25	128633.....10
		127871.....25	128634.....10
		127872.....9	
		127874.....9	

Part Number Index

128653.....11	129197.....93	129633.....21	129818.....21
128657.....11	129198.....93	129634.....21	129851.....7
128658.....11	129202.....6,7,8,13, 14, 15	129635.....6	129852.....23, 29
128705.....11	129203.....6, 13, 15	129636.....21, 22	129853.....23, 29
129001.....93	129204.....5,6, 7, 8, 13, 15	129637.....21	129854.....23
129021.....6, 7, 36	129205.....6,7,8,13, 14, 15	129638.....21, 22, 23, 24, 25, 29, 31, 32, 33	129856.....23
129022.....9, 10, 36	129207.....6,7,8,13, 14, 15	129642.....21, 22	129861.....25, 36
129111.....14	129209.....5, 6, 7, 8, 13, 14	129644.....21	129862.....25, 36
129117.....14	129212.....6, 13, 14	129645.....6	129865.....7
129118.....14	129213.....5, 6, 7, 8, 13	129648.....21, 22, 24	129875.....7
129119.....14	129214.....5, 6, 13, 14	129652.....21, 22	129885.....23
129120.....8, 9,10, 13, 14	129215.....14	129655.....21	129902.....8
129121.....5, 6, 7, 14	129216.....8, 9, 13, 15	129656.....21, 22	129903.....8
129122.....14	129226.....14, 36	129657.....21, 22	129904.....8
129123.....7	129227.....14, 36	129658.....22	129907.....24
129124.....14	129236.....31, 32	129661.....22	129908.....24
129125.....14	129237.....31	129662.....22	129909.....24
129126.....5, 6, 7, 14	129241.....5, 6, 7, 8, 13	129663.....22	129911.....24
129127.....14	129242.....6, 7, 8, 13	129665.....22	129912.....24
129128.....14	129243.....6, 7, 8, 13	129669.....22	129913.....24
129129.....23, 32	129251.....9, 10	129672.....21	129914.....24
129130.....23, 32	129252.....10	129675.....21	129917.....24
129133.....23, 24, 29, 31, 32, 33	129253.....9	129676.....21	129918.....24
129135.....23, 32	129254.....8, 9, 10, 13	129677.....22	129925.....8
129138.....32	129257.....6, 7	129678.....21	129929.....8
129139.....23, 29, 31	129259.....6	129681.....22, 36	129945.....8
129142.....23, 32	129262.....5	129684.....21, 22	129946.....8, 10, 13, 36
129143.....23	129264.....5, 6	129686.....22	129955.....24
129146.....22, 23, 24, 29, 31, 32	129266.....5	129701.....5	129958.....8
129147.....23, 32	129281.....23	129702.....5	129959.....8
129148.....23, 29, 31, 32	129282.....23	129704.....5	131260.....86
129149.....14	129341.....14	129707.....5	131380.....86
129150.....23, 24, 29, 31, 32, 33	129343.....23, 29, 36	129708.....5	13145.....85
129151.....9, 10, 11, 14	129344.....29, 31	129709.....5	13194.....86
129154.....20, 21, 22, 23, 24, 25, 26, 27, 29, 31, 32, 33, 49	129351.....29	129713.....5	13386.....87
129160.....23, 24, 26, 29	129352.....36	129714.....5	13400.....87
129161.....29, 31	129602.....5, 6	129716.....5	13525.....87
129162.....22, 24, 29, 31	129603.....6, 7	129719.....5	135260.....87
129164.....31, 32	129604.....6, 7	129721.....5	13542.....87
129171.....31, 32	129606.....5, 6	129722.....5	13586.....87
129173.....31, 32	129607.....5, 6, 7	129723.....21	13587.....87
129174.....19, 21, 22, 23, 24, 25, 26, 27, 29, 31, 32, 33	129608.....5, 6, 7	129726.....21	14011.....87
129178.....21, 22, 23, 24, 29, 31, 32, 33	129609.....5, 6, 7	129731.....22	14012.....87
129184.....22, 23, 29, 31, 32, 33	129611.....5, 6	129732.....21	14013.....87
129188.....23, 29, 31, 32	129612.....6, 7	129744.....6	14014.....87
129195.....23, 24, 29, 31, 32	129613.....6, 7	129746.....6	14015.....87
129196.....14	129614.....6	129747.....6	14016.....87
	129616.....5, 6	129748.....21, 22	14411.....85
	129617.....5, 6, 7, 21, 22	129749.....21	14436.....87
	129618.....6, 7	129777.....21	14512.....86
	129619.....6, 7	129784.....21, 22, 24	14517.....86
	129623.....6	129803.....6, 36	14518.....87
	129625.....22	129807.....21, 22, 36	14900.....86
	129626.....21	129808.....6	15020.....65
	129628.....21	129809.....6	15026.....65
	129631.....21, 22	129811.....5	15027.....65
	129632.....21		15029.....59, 62, 64, 65

Part Number Index

15039.....65	15189.....59	15425.....60	15901.....64
15049.....65	15191.....59, 78	15426.....60	16317.....77
15050.....66,67,68, 69, 80	15192.....95	15427.....60	16319.....77
15051.....66,67,68, 69, 80	15193.....59	15428.....74, 76	16320.....77
15055.....65	15194.....59	15429.....60	16425.....86
15071.....67, 71	15195.....59	15430.....66, 67, 68, 74, 76	168650.....87
15072.....67, 71	15196.....59	15433.....60	168660.....87
15078.....65	15201.....59	15434.....60	182030.....87
15080.....65	15202.....59	15435.....60	182040.....87
15081.....65	15204.....59	15436.....60	182050.....87
15082.....65	15205.....59	15437.....68, 70, 75, 80	182150.....87
15083.....65	15215.....59, 62, 63	15439.....60	182970.....87
15084.....65	15220.....59	15441.....81	183680.....84, 90
15087.....65	15221.....59	15442.....81	185490.....87
15089.....65	15222.....59	15443.....81	185500.....87
15090.....65	15223.....59	15445P.....60	185920.....85, 88
15091.....65	15224.....59	15446.....60	186070.....87
15092.....65	15225.....59	15451.....81	187450.....87
15093.....65	15227.....59	15504.....60, 62, 64	187990.....83
15094.....65	15228.....59	15604.....81	188980.....85
15095.....65	15234.....59	15610.....62, 63, 64, 65	188990.....86
15098.....65	15239.....59	15617.....81	190190.....87
15099.....65	15244.....59	15628.....60, 62, 64	194800.....87
15100.....62, 64, 65	15245.....59	15649.....64	195540.....87
15103.....65	15246.....59	15650.....81	195550.....87
15104.....65	15247.....59	15665.....69, 72, 73, 74, 77, 81	19570.....87
15106.....65	15255.....59	156660.....87	19631.....85, 88, 90
15107.....65	15257.....59	156670.....87	20023.....87
15110.....65	15259.....59	15706.....63	203070.....83
15112.....65	15261.....62	15709.....62, 64	203080.....84, 90
15113.....65	15262.....62	15714.....64	203090.....83
15117.....65	15263.....59	15717.....63	203100.....83
15118.....65	15264.....59	15718.....62, 64	203110.....83
15128.....69	15265.....59	15719.....59, 60, 62, 63, 64, 65	204420.....87
15129.....72,73,74, 77, 80	15271.....62	15720.....62, 64	204430.....87
15130.....72,73,74, 77, 80	15280.....62	15724.....62, 64	204440.....87
15132.....59, 61, 65	15281.....62	15735.....64, 65	204460.....87
15135.....66, 67, 68, 80	15283.....62	15736.....62, 64	204470.....87
15136.....66, 67, 68, 80	15285.....59	15741.....62, 64	204480.....87
15140.....59	15304.....63	15743.....62, 64	204490.....87
15151.....63	15309.....62, 63, 64, 66, 67, 68, 69, 70, 71, 72, 73, 74, 75, 76, 77, 81	15744.....62, 64	206210.....87
15159.....62	15350.....63	15746.....62, 64	206220.....87
15161.....59, 62, 63	15401.....61	15747.....62, 64	206240.....87
15162.....59, 62, 63	15402.....61	15749.....62, 64	206270.....90
15163.....59	15403.....61	15755.....63	206280.....86
15164.....59, 62, 63, 64	15404.....61	15756.....63	210270.....83
15170.....59	15405.....61	15757.....63	211200.....85, 88, 90
15171.....59	15406.....61	15758.....63	211240.....87
15172.....59	15407.....61	15759.....63	211270.....87
15173.....59	15408P.....61	15761.....63	212630.....87
15175.....59	15414.....60	15762.....95	212640.....87
15176.....59	15415.....60	15763.....59, 60, 62, 63	212650.....87
15178.....59, 62, 63, 64	15417.....60	15775.....62, 64	212660.....87
15179.....59, 62	15423.....60	15778.....63	212670.....87
15185.....59	15424.....60	15852.....91	213210.....87
15187.....59			216047.....26
15188.....59			220312.....91

Part Number Index

220313.....91	413195.....85, 86	427093.....77	42810.....62
22121.....67, 80	413196.....85, 86	427094.....77	42820.....62
25460.....59, 65, 78	413197.....85, 86	427095.....77	428210.....78
261181.....91	413203.....90	427096.....68, 70, 73, 75, 77	428230.....66, 67, 68, 78
261182.....91	413205.....85, 88	427101.....70	428240.....67, 69, 78
261183.....91	413206.....85	427102.....70	428250.....78
261192.....91	413207.....85	427103.....70	42837.....69
261194.....91	413208.....85, 88	427104.....67	42838.....69
261196.....91	413210.....90	427105.....66, 67, 68, 78	42839.....69
261198.....91	41942.....92	427106.....67, 78	43020.1.....71
261888.....92	41952.....77	427107.....71, 76, 77, 78	43020.2.....71
261889.....92	422441.....92	42716.....71, 76, 79	43020.3.....71
261891.....92	422613.....92	42718.....77, 79	43020.4.....71
261892.....92	42314.....95	427189.....70	43020.5.....71
261893.....92	42315.....95	42719.....78	430411.....71
261894.....92	42316.....95	427190.....68, 70, 72, 73, 74, 75	430412.....71
261895.....92	42410.....91	427191.....68, 70, 72, 73, 74, 75	430413.....71
261896.....92	42411.....91	427192.....68, 70, 72, 73, 74, 75	430414.....71
266003.....92	42454.....92	427193.....68, 70, 72, 73, 74, 75	430415.....71
28228.....66, 67, 68, 69, 70, 71, 72, 73, 74, 75, 76, 77, 78	42457.....91	427194.....68, 70, 72, 73, 74, 75	431411.....71
288118.....69	42458.....92	427195.....68, 70, 72, 73, 74, 75	431412.....71
288140.....69	42485.....58	427196.....68, 72, 73, 74, 75	431413.....71
388300.....69	42608.....36, 65	427197.....68, 70, 72, 73, 74, 75	431414.....71
390147.....28	42609.....62, 64, 78	427198.....68, 70, 72, 73, 74, 75	431415.....71
397100.....67	42611.....78, 95	427199.....68, 70, 72, 73, 74, 75	43827.....70, 78
397101.....67	42626.....36	42720.....68, 75	45822.....62,64,66,68, 70, 72, 73, 74,75,76,77, 78
397102.....67	42628.....36	42726.....66, 73, 74, 76, 79	45825.....62, 64, 66, 68, 70, 71, 72, 73, 74, 75, 76, 77, 78
397104.....67	42631.....36	42738.....61, 78, 81	45827.....60, 62, 64, 66, 67, 68, 69, 71, 72, 73, 74, 75, 76, 77, 78
397106.....67	42639.....65, 78	42754.....66,69,70,71,72,73 74, 75, 76, 77, 81	45833.....60, 62, 64, 66, 67, 68, 74, 76, 78
397107.....67	42641.....65	42764.....66, 68, 70, 75, 81	45836.....60,66, 67, 76, 78
397112.....67	42652.....92	42767.....66, 74, 76, 77, 79	45840.....60, 66, 76, 78
397114.....67	42662.....63	42768.....71, 72, 76, 77, 79	502514.....91
397122.....67	427006.....70	42772.....63	502521.....91
397124.....67	427007.....70	42773.....60, 66, 67, 68, 74, 76	502522.....91
401353.....91	427026.....66, 67, 68	42778.....67, 69	502524.....91
401354.....91	427030.....67, 71	42779.....69	502527.....91
41128.....88	427031.....78	42780.....69	502528.....91
41175.....88	427038.....67, 71	42781.....69	502537.....91
413109.....90	427039.....66, 67, 69, 71, 72, 73, 74, 77	42782.....69	502538.....91
413138.....90	42704.....67, 69	42783.....63, 69	502608.....91
413139.....90	427040.....66, 71, 76, 77	42784.....69, 79	502611.....91
413147.....90	427042.....66, 71, 76, 77, 78	42785.....69	503605.....91
413149.....90	42705.....78	42786.....69	503628.....91
413163.....90	427056.....77	42788.....69	503629.....91
413164.....90	427057.....77	42789.....69	503795.....91
413165.....90	427072.....66, 67, 68, 70	42790.....69	503796.....91
413166.....86	427085.....70, 79	42791.....69	5041M.....88
413167.....86	427089.....77	42797.....66, 67, 68, 70, 72, 74, 75, 76, 77, 79	504652.....91
413168.....86	427090.....77	42798.....67, 71, 72, 75, 76, 77, 79	505020.....91
413170.....90	4270901.....76	42802.....65	505565.....91
413174.....90	4270902.....76	42803.....65	507708.....91
413186.....89	4270903.....76		
413188.....90	4270904.....76		
413191.....86	4270905.....76		
413194.....85, 86, 90	427091.....77		
	427092.....77		

Part Number Index

507709.....91	820013P.....17, 25, 65	944022.....93	AP0480K.....37
5108M.....88	820014P.....17, 21, 28, 58, 62, 64	957004P.....11, 12, 16, 17, 84, 88, 90	AP0510SQ.....53
5116230.....93	820015P.....11, 19, 21, 22, 23, 24, 25, 27, 29, 30, 31, 32, 33, 35, 59	957025P.....28, 62, 64	AP0517.....44
5236.....88	820016P.....15, 33, 34, 62, 64, 65		AP0527.....44
5237.....88	820017P.....16, 18, 26		AP0528.....44
5240-KIT.....58	820018P.....25, 33		AP0620.....37, 40, 46
52406A.....58	820038P.....5, 6, 7, 8, 9, 10, 13, 14, 15, 16, 17, 18		AP0624.....50
5404M.....86	820039P.....12		AP0624B.....50, 51
5590.....96	820043P.....60, 62, 64		AP0624BS.....48
58380.....89	820062P.....11		AP0624S.....50
5983.....89, 90	820072P.....5, 6, 7, 8, 9, 10, 13, 14, 15, 16, 18		AP0624Y.....50, 51
5984.....89	820080P.....5, 6, 7, 8, 9, 10, 12, 13, 14, 15, 16, 17, 18		AP0810.....39
621131.....92	820092.....62, 64		AP0810P.....39
621132.....92	820094P.....5, 6, 7, 8, 9, 10, 12, 13, 15, 16, 17, 18		AP0810TL.....39
621502.....92	820120P.....12, 63, 65		AP0811.....49
622600.....92	820214P.....58		AP0811P.....49
622605.....92	820306.....21		AP0811TL.....49
622610.....92	820311P.....60, 63		AP0903K.....37
622615.....92	820312P.....59, 63		AP1000K.....37
622680.....92	820314.....34		AP100181.....49
622690.....92	820322P.....5, 6, 7, 8, 13, 14, 15		AP1151.....22, 23, 24, 29, 31, 32, 48, 50, 51, 52, 53, 55, 56, 57
622695-L.....92	821026.....12		AP1154P.....48, 49, 50, 51, 52, 53, 54, 55, 56, 57
622695-R.....92	824407P.....5, 6, 7, 8, 9, 10, 12, 13, 14, 17		AP1157P.....82, 90
62587.....92	828005.....12		AP1159P.....48, 50, 55, 57
62588.....92	834023.....28		AP1166P.....38, 39, 40, 41, 42, 43, 44, 46, 47
62589.....92	845097.....7, 12, 16, 17, 18		AP1267P.....48, 49, 50, 51, 52, 53, 54, 55, 56, 57
62911.....92	860037.....28		AP1298P.....38, 39
6311.....88	860137.....34, 35		AP1299P.....39, 40, 41, 42, 43, 44, 46, 47
700418.....12	861068.....12		AP1300P.....38, 40, 41, 42, 44, 46, 47
730486.....85, 88, 90	863051.....12, 14, 16, 17, 18		AP1402.....41, 44, 46, 47
734332.....91	900000.....17, 36		AP1402B.....40, 43, 46
734333.....91	900001.....12, 16		AP1403.....43, 44
734407.....91	900002.....36		AP1403PVD.....38
734408.....91	900003.....34, 36		AP1403PVDS.....40, 46
734409.....91	900009.....36		AP1403/S.....40, 41, 46, 47
734411.....91	900010.....26, 27, 30, 35, 36		AP1404.....38, 40, 41, 43, 44, 46, 47
745930.....90	900012.....23, 24, 25, 29, 31, 32, 33, 36		AP1406/1.....38, 40, 41, 43, 44, 46, 47
761947.....73	900013.....28, 36		AP1407.....38, 43, 44, 46
762325.....69	900014.....9, 10, 14, 36		AP1407/S.....40, 41, 46, 47
778559.....59, 62, 63, 64	900015.....11, 36		AP1408.....38, 39, 40, 41, 42, 43, 44, 46, 47
778564.....60, 62, 64, 65	900016.....18, 19, 20, 36		
778679.....95	900017.....5, 6, 7, 14, 36		
778700.....95	900018.....8, 13, 15, 36		
820007P.....11, 25	900020.....60, 78		
820008.....34	900021.....36, 59		
820009P.....5, 6, 7, 8, 13, 14, 15, 23, 32, 33	900022.....21, 22, 36		
820010P.....5, 6, 7, 8, 13, 14, 17, 19, 21, 22, 23, 24, 25, 26, 27, 28, 29, 30, 31, 32, 33, 34, 35, 58, 59, 60, 61, 65	910912.....12		
820011P.....5, 6, 7, 8, 9, 10, 11, 12, 13, 14, 15, 16, 17, 18, 21, 22, 23, 24, 25, 26, 27, 28, 29, 30, 31, 32, 33, 59, 60, 62, 64, 65			
		Symbols AP	
		AP0137NHP.....37	
		AP0146180.....37	
		AP0146180IMP.....37	
		AP0163.....39	
		AP0168.....39	
		AP0175F.....49	
		AP0175M.....49	
		AP0175T.....49	
		AP0175TL.....49	
		AP189NHP.....37	
		AP0195.....37	
		AP0198.....37, 50	
		AP0198DSW.....37, 48	
		AP0198NHP.....37	
		AP0199.....37	
		AP0199DSW.....37	
		AP0200.....37, 49	
		AP0201.....37, 49	
		AP0203.....37, 52, 53	
		AP02031.....23, 29, 31, 32, 37	
		AP0203/1.....37, 52	
		AP0203/S.....37	
		AP0206.....37, 51, 52, 54	
		AP0211.....37, 42, 43, 44	
		AP0211BS.....37, 38	
		AP0211/S.....37, 41, 46, 47	
		AP0219/AA.....37, 48, 50, 51, 52, 54, 55, 56, 57	
		AP0219R.....37, 53	
		AP0227/AA.....37, 45	
		AP0228.....45	
		AP0241/AA.....37, 38, 40, 41, 42, 43, 44, 46, 47	
		AP0249.....37, 55	
		AP0250.....37, 39	
		AP0254.....37, 49	
		AP0274.....37, 43	
		AP02741.....37, 40	
		AP0353F2.....50, 51	
		AP0354F.....50	
		AP0361F.....43	
		AP0361F1.....43	
		AP0362F.....41	
		AP0363F.....40	
		AP0363F1.....40	
		AP0367-1.....42	
		AP0371.....37, 39	

Part Number Index

AP1409P.....38,39, 40, 41, 42, 43, 44, 46, 47, 48, 49, 50, 51, 52, 53, 54, 55, 56, 57	AP1483.....38,40,41, 42, 43, 44, 46, 47	AP5101PVDS.....40, 46	AP5770.....39
AP1410P.....42,43, 44, 46, 47, 52, 53	AP1484.....42,43, 44, 45	AP5102.....41, 47	AP5800.....52, 57
AP1413.....38, 39, 40, 41, 42, 43, 44, 46, 47	AP1484PVDS.....46	AP5103.....43	AP5801.....52, 57
AP1414.....43	AP1484/S.....40, 41,46, 47	AP5104.....42	AP5801GREY.....57
AP1415.....38,39, 40, 41, 42, 43, 44, 46, 47	AP1485.....44	AP5105.....42	AP5801/Y.....52, 57
AP1419.....38,40,41, 42, 43, 44, 46, 47	AP1486.....43	AP5106.....42	AP5802.....48, 50, 51, 52, 55, 56, 57
AP1420P.....43	AP1487.....43, 46, 47	AP5201.....44	AP5802/C.....50
AP1429.....52, 53, 57	AP2020.....23,29,31, 52, 53, 57	AP5202.....42, 44	AP5802/C.....57
AP1438.....59	AP2021.....21,22,23, 24, 25, 29, 31,32, 33,48, 49, 50, 51, 52, 53, 54, 55, 56, 57	AP522002P.....82, 90	AP5803.....48, 50, 51, 52, 55, 56, 57
AP1438P.....21,22,23, 24, 29, 31, 32, 43, 48, 50, 51, 52, 53, 55, 56, 57	AP2023.....53	AP5309.....40, 41, 46, 47	AP5804.....57
AP1445P.....38,39,40, 41, 42, 43, 44, 46, 47, 82	AP2025.....53	AP5309B.....46	AP5805.....23, 29, 31, 52, 57
AP1446.....42, 43, 44	AP2026.....53	AP53095BS.....38	AP5807.....52
AP1446G.....44	AP2026/Y.....53	AP5324G.....51, 56	AP5807/Y.....52, 57
AP1461.....37,51, 52, 53	AP2028.....52, 53, 57	AP5324K.....37,48,49, 50, 51, 52, 53, 55, 56, 57	AP5819.....57
AP1461Y.....37,51, 52, 54	AP2028/S.....57	AP5339.....57	AP5821.....52
AP1470.....42, 43, 44	AP2029.....53	AP5695.....39	AP5822.....52
AP1470/S.....41, 46, 47	AP2029-1.....51, 52, 56	AP5701.....82	AP5830.....48,50,55,57
AP1471.....38,40,42, 43, 44, 46	AP2030.....53	AP5702.....82	AP6201.....39, 46
AP1471/S.....41, 46, 47	AP2033.....21,22,23, 24, 25, 29,31, 32, 33,48, 50, 51, 52, 53, 55, 56, 57	AP5702NP.....82	AP6202.....38, 39, 40, 41, 42, 43, 44, 46, 47
AP1472.....38,40,41, 42, 43, 44, 46, 47	AP2034.....48,49,50, 51, 52, 54, 55, 56, 57	AP5703.....82	AP6210.....50,51,55,56
AP1473.....40,43, 44, 46	AP2034R.....53	AP5704.....82	AP6211.....48, 50, 51, 55, 56
AP14731.....38,41,42, 47	AP2035.....48,49,50, 51, 52, 53, 54, 55, 56, 57	AP5705.....82	AP6211G.....51, 56
AP1474.....38,40,42, 43, 44, 46, 47	AP2036.....21,22,23, 24, 25, 29,31, 32, 33,48, 50, 51, 52, 53, 55, 56, 57	AP5706.....82	AP6211Y.....51, 56
AP14741.....44	AP2037.....48,50,51, 52, 53, 55, 56, 57	AP5707.....49, 54	AP6212.....50, 51, 55, 56
AP1475.....38,40,41, 42, 43, 44, 45, 46, 47	AP2038.....29,31,32, 50, 51, 52, 53, 55, 56, 57	AP5711P.....48,49, 50, 54, 55, 57	AP6212G.....51, 56
AP1476.....38,40,41, 42, 43, 44, 46, 47	AP2038SQ.....23,29, 31,32, 48, 50, 51, 52,55, 56, 57	AP5713.....39	AP6212Y.....51, 56
AP1477.....41, 43, 47	AP2039.....52, 53, 57	AP5714.....39	AP6213.....48, 50, 51, 55, 56
AP14771.....44	AP2039/Y.....52	AP5716.....39	AP6214.....55, 56
AP1477F.....44, 46	AP2040.....53	AP5717.....39	AP6214Y.....56
AP1478.....38,40,41, 42, 43, 44, 46, 47	AP2041P.....21,22,23, 24, 25,29, 31, 32, 33,48, 50, 51, 52, 53, 55, 56, 57	AP5721.....38, 40, 46	AP6215.....48, 50, 51, 55, 56
AP1479.....41, 42, 43, 44, 47	AP2053.....53	AP5722.....38, 40, 46	AP6216.....48, 50, 51, 55, 56
AP1480.....43	AP5001.....53	AP5725.....40, 41, 42, 45	AP6216S.....50, 55
AP1480F.....45	AP5002.....50,51,52, 53, 55, 56, 57	AP5731.....82	AP6217.....50, 55
AP1481.....43	AP5003.....51, 52, 56	AP5739.....40, 46	AP6217PVDS.....50, 55
AP1482.....40, 43, 44, 45, 46	AP5013PVD.....48	AP5745.....82	AP6218.....51, 56
AP14821.....40, 41, 42, 46, 47	AP5013PVDS.....50, 55, 57	AP5746.....82	AP6218G.....51, 56
AP1482T.....40	AP5013/S.....50, 57	AP5750.....39	AP6218Y.....51, 56
	AP5014.....41	AP5751.....39	AP6219G.....51, 56
	AP5015.....53, 57	AP5755.....39	AP6219K.....48, 50, 51, 55, 56
	AP5101.....40, 45, 46	AP5756.....39	AP6220K.....48, 50, 51, 55, 56
		AP5757.....39	AP6221B.....55
		AP5758.....39	AP6221S.....55
		AP5759.....39	AP6222.....48, 50, 51, 55, 56
		AP5763.....39	AP6223.....48, 49, 50, 51, 55, 56
		AP5764.....39	
		AP5766.....39	
		AP5767.....39	
		AP5768.....39	
		AP5769.....39	

2015

SPARE PARTS CATALOG

AQUA  LUNG®

 **apeks**®

 **SUUNTO**

TOLL FREE ORDER DESK

800.775.DIVE (3483)

from 7:00AM to 5:00PM PST Monday - Friday

2340 Cousteau Court, Vista, CA 92081, U.S.A.

www.aqualung.com

© 2015 Aqua Lung International
All Rights Reserved REV:02/2015 Part #