



AQUA LUNG®

2014 SPARE PARTS CATALOG



AQUA LUNG®

apeks®

SUUNTO

ONLINE TRAINING PROGRAM

Aqua Lung offers online training courses through our secure B2B or Technician Only are at www.aqualung.com

Successful completion of a course results in a printable wall certificate acknowledging the store or technician and provides access to repair manuals, associated schematics, bulletins and resource materials.



To learn more about online training, logon to the B2B or Tech Only site and click the Online Training found under *Technical Support*.

BENEFITS:

- Online courses serve as a qualification program and an up-to-date reference source
- Training can take place anytime 24/7 and anywhere the internet is available
- Each course contains multimedia, text, photos, illustrations and videos and can be paused and resumed as needed with knowledge retention measured by quizzes along the way
- After the course has been successfully completed, the student may return as often as they wish as long as they remain employed by an Aqua Lung dealer.
- Allows Aqua Lung to communicate directly with service department personnel
- Affordable, the \$40.00 per course fee can be recovered by servicing just one regulator

Table of Contents

How to Use the Spare Parts Catalog & Price List.....	4	XTX40/20 Series (2006-2012)	53
		ATX200/100/50 Series (2002-2008)	54
AQUA LUNG FIRST STAGES		CYLINDER VALVES	
Legend Lux Series (2012-Present)	5	Twin Tank Manifold w/Reserve.....	55
Legend Series (2012-Present)	6	J-Valve	56
Legend Glacia (2014-Present)	7	K-Valve•DIN Valve•Z-Valve Air	57
Titan LX Series (2009-Present).....	8	AIRSOURCE & INFLATORS	
Mikron	9	Airsource 3	58
Titan Series (2010-Present)	10	i3 Inflator & Oral Assembly.....	59
Calypso Series (2004-Present).....	11	Flat E-Valve.....	60
Conshelf XIV Series	12	Powerline Inflator	61
Legend Series (2002-2012)	13	Apeks Inflator	62
Kronos Series	14	Powerline Inflator w/Dual Valve.....	63
Titan Series (1999 to 2008).....	15	Air Source 2	64
Cousteau • SEA	16		
MISTRAL REGULATOR (discontinued)		BUOYANCY COMPENSATORS (Current Models)	
Mistral First Stage	17	Axiom • Axiom i3 • Balance/Libra • Black Ice	65
Mistral Second Stage	18	Dimension i3/Lotus i3.....	65
Mistral Mouthpiece	19	Pearl • Pearl i3 • Pro QD • Pro LT • Soul i3	66
		Wave 2010 • WTX (Apeks) • Zuma	67
AQUA LUNG SECOND STAGES		BUOYANCY COMPENSATORS (Discontinued Models)	
Legend LX Series (2012-Present)	20	Black Diamond • Diva LX/Diva XLT.....	68
Legend Series (2012-Present)	21	Diva QD•Diva • Latitude/XLT.....	68
Legend LX Glacia (2007-Present)	22	Malibu • Pacifica • Passport • Pro QD i3	69
Titan LX Series (2009-Present).....	23	Pro•Pro-QD•ProXLT• Pro Unlim • Wave(SQ).....	70
Mikron Series	24	Buoyancy Compensator Common Spares	71
Titan/Calypso QC Series (2010 to Present)	25	Weight Pouches	72
Titan/Calypso Classic Series (2004 to Present)	26	Backpack Components	73
Conshelf XIV	27		
Legend Glacia Series.....	28	BACKPACKS & ACCESSORIES	
ABS Octopus	29	Mariner Twin Backpack	74
Legend LX Series (2002-2011)	30	Kam Pac • Twin Harness • Military BC.....	75
Titan LX & Legend Series (2001-2011).....	31	Cap-off Kit • Dump Valve Kits • CO2 Assembly	76
Kronos Series	32		
Micra ADJ.....	33	DIVE COMPUTERS AND GAUGES	
Titan•Cousteau•Calypso•Partner•Octopus(98-04)	34	Apeks Analog Instruments	77
		Cobra 3•Cobra 2•Cobra	78
Aqua Lung Common Reg Spares	35	Helo2•Vytec•Vyper•Zoop•Gekko•Transmitter.....	79
Apeks Common Reg Spares	36	D4 • D6 • D9 • DX	80
		CB Console•Quick Disconnect.....	81
APEKS FIRST STAGES		Stinger•Spyder•Mosquito•D3	82
Flight	37	Compass Wrist Boot•Straps•Misc	83
XTX200 (2006-Present)	38	ACCESSORIES	
XTX100 (2006-Present)	39	Masks • Snorkels	84
TEK 3	40	Fins • Knives • Lights	85
XTX50 • ATX50 • TX50 • XTX40 • ATX40	41	TOOLS	
XTX20 • AT20 • DS4	42	Aqua Lung • Sea Quest Regulator Tools	86
Status	43	Apeks Regulator Tools	87
ATX200 (2002-2008).....	44	BC & Air Source • Valve Tools.....	88
ATX100 (2004-2006).....	45	Suunto HP Quick Disconnect Tools	89
		INDEX	
APEKS SECOND STAGES		Parts Index.....	90
Flight Series	46		
XTX200/100/50 Series (2013-present)	47		
XTX40/20 Series (2013-present)	48		
ATX40 • AT20 Series (2002-Present).....	49		
TX50 (Military only)	50		
Egress	51		
XTX200/100/50 Series (2006-2012)	52		

How to Use the Spare Parts Catalog & Price List

The Spare Parts Catalog & Price List are designed to be easy-to-use references for locating currently available part numbers and prices for most Aqua Lung products, including regulators, BCs, valves, instruments and rubber goods. It is not intended to be a substitute for the various Aqua Lung Repair Manuals. Because the schematic drawings and parts listed contain the most recent revisions to the products shown, this document should be referred to exclusively whenever ordering replacement parts.

Finding the part number and price

There are three simple steps for finding a part number and its price:

- Find the product in the Table of Contents of this catalog and turn to the appropriate page.
- Find the part in the exploded drawing and note the key number. Find the key number in the parts listing located below the exploded drawing. Next to the key number is the part number.
- Refer to the **Spare Parts & Specialty Tools Price List**, and locate the part number. Next to the part number is the dealer price and retail price.

Mandatory overhaul replacement parts

Some products have mandatory overhaul replacement parts, which should be replaced every time the product is serviced. Any part in **BOLD ITALICS** is considered a mandatory overhaul part, and should not be reused under any circumstances after the product has been disassembled. These parts can be ordered individually, or in complete kits which are available for each model regulator.

Parts no longer available (NLA)

Some older, discontinued products have parts that are no longer available. If a part was never or no longer available, the letters NLA will replace the part number in the parts list.

Parts no shown (N/S)

Part are available but not shown on the schematic.

Using the Part Number Index

If you know the part number for a specific item and want to find where it is used (or isn't used), you will want to use the Part Number Index . To use the index, you first need to locate the part number in the listing. Next to each part number are the page numbers on which the part can be found. If, for example, you want to know what products use the AP2034 medium pressure seat, you can refer to the Part Number Index, where you will find the pages to the products that useAP2034.

A Reminder

Parts may only be sold to Authorized Aqua Lung Pro-Line Dealers, and must be installed only by technicians who have received factory authorized training. Proper storage is important to ensure the quality of these parts. Be sure to store parts in a manner to prevent premature degradation of rubber and other soft materials, and to prevent damage to those parts which contain delicate sealing surfaces.

Legend LUX Series 2012-Present



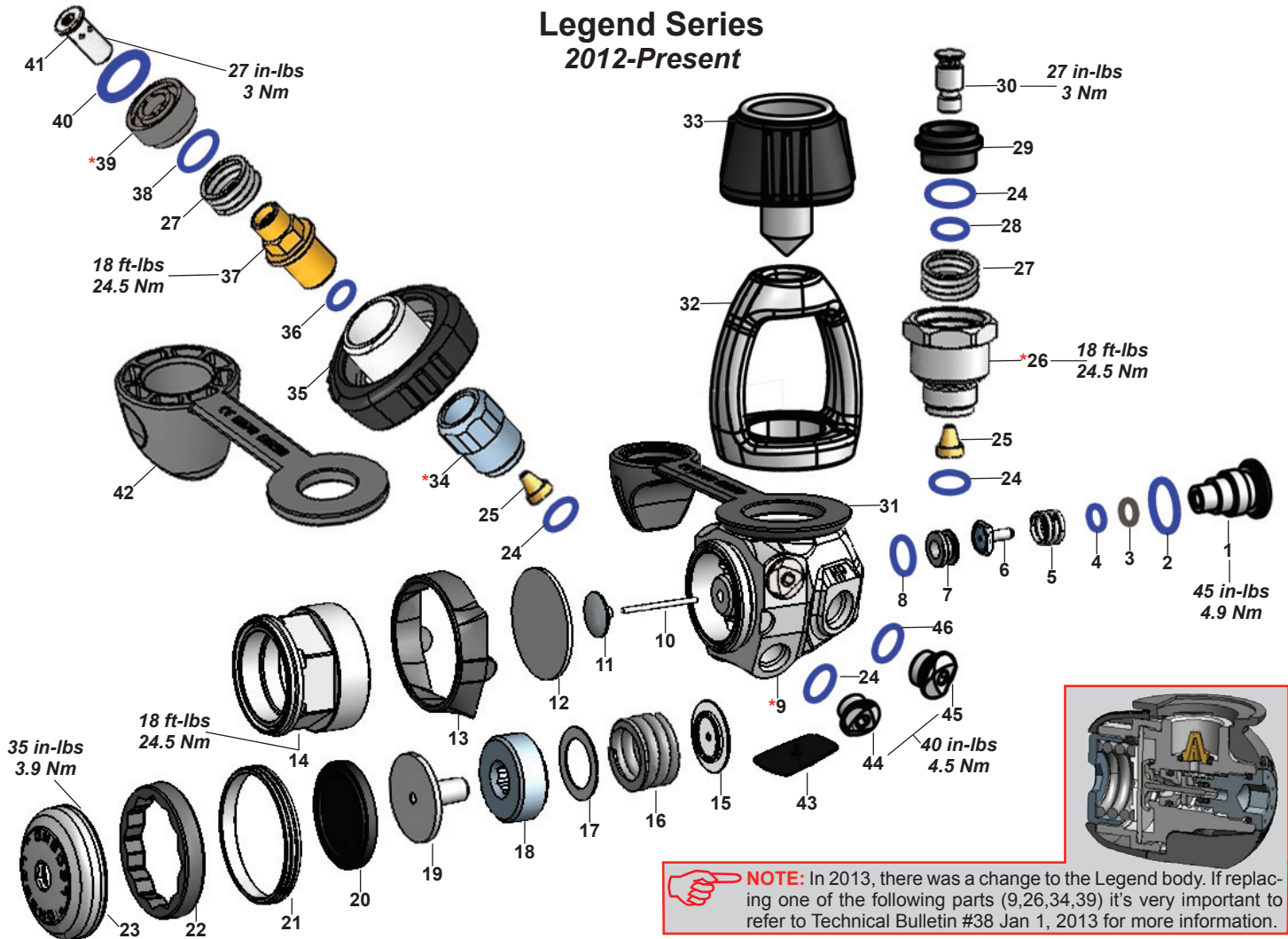
NOTE: In 2013, there was a change to the Legend body. If replacing one of the following parts (9,26,34,39) it's very important to refer to Technical Bulletin #38 Jan 1, 2013 for more information.

Key #	Part #	Description
-----	900017	Overhaul Parts Kit ACD (Yoke and DIN)
1	129709	HP Balance Plug, Pink/Gold
2	824407P	O-ring (20 pk)
3	119129	Backup ring
4	820080P	O-ring (25 pk)
5	122244	Spring
6	105940	HP Seat
7	127585	Crown
8	820038P	O-ring (20 pk)
9	129262	Body, Black PVD, 2013
	129811	Body, Black PVD
10	102002	Pin
11	129121	Pin Support
12	119159	Diaphragm
13	129609	Protector, Dry Chamber
14	129602	Diaphragm Clamp
15	127565	Spring Pad
16	127567	Main Spring
17	127568	Washer
18	127566	Adjustment Screw
19	129606	Piston
20	129126	Diaphragm, Secondary
21	129702	Ring, Pink/Gold
22	129611	Washer, Dry Chamber
23	129701	Dry Chamber Cap, Black PVD

Key #	Part #	Description
24	820011P	O-ring (25 pk)
25	129209	Filter, ACD
26	129266	Yoke Retainer, Black PVD, 2013
	129719	Yoke Retainer, Black PVD
27	129204	Spring, ACD
28	820009P	O-ring (10 pk)
29	129704	Yoke Crown, Pink/Gold
30	129716	Yoke Shutter Valve, Black PVD
31	129607	Dust Cover, Yoke
32	129713	Yoke, Black PVD
33	129721	Yoke Screw, Pink/Gold
34	129241	DIN Union, 2013
	129214	DIN Filter Holder
35	129722	DIN Handwheel, Black PVD
36	820010P	O-ring (25 pk)
37	129213	DIN Screw
38	820322P	O-ring (10 pk)
39	129264	DIN Shutter Crown, Black PVD, 2013
	129616	DIN Shutter Crown, Black PVD
40	820094P	O-ring (20 pk)
41	129714	DIN Shutter Valve, Pink/Gold
42	129608	DIN Cap
43	129617	Decal
44	129707	Plug, MP Port, 3/8 inch, Pink/Gold
45	129708	Plug, HP Port, 7/16 inch, Pink/Gold
46	820072P	O-ring, HP Port (20 pk)

Part numbers in **BOLD ITALICS** indicate standard overhaul replacement part

Legend Series 2012-Present



NOTE: In 2013, there was a change to the Legend body. If replacing one of the following parts (9,26,34,39) it's very important to refer to Technical Bulletin #38 Jan 1, 2013 for more information.

Key #	Part #	Description
-------	--------	-------------

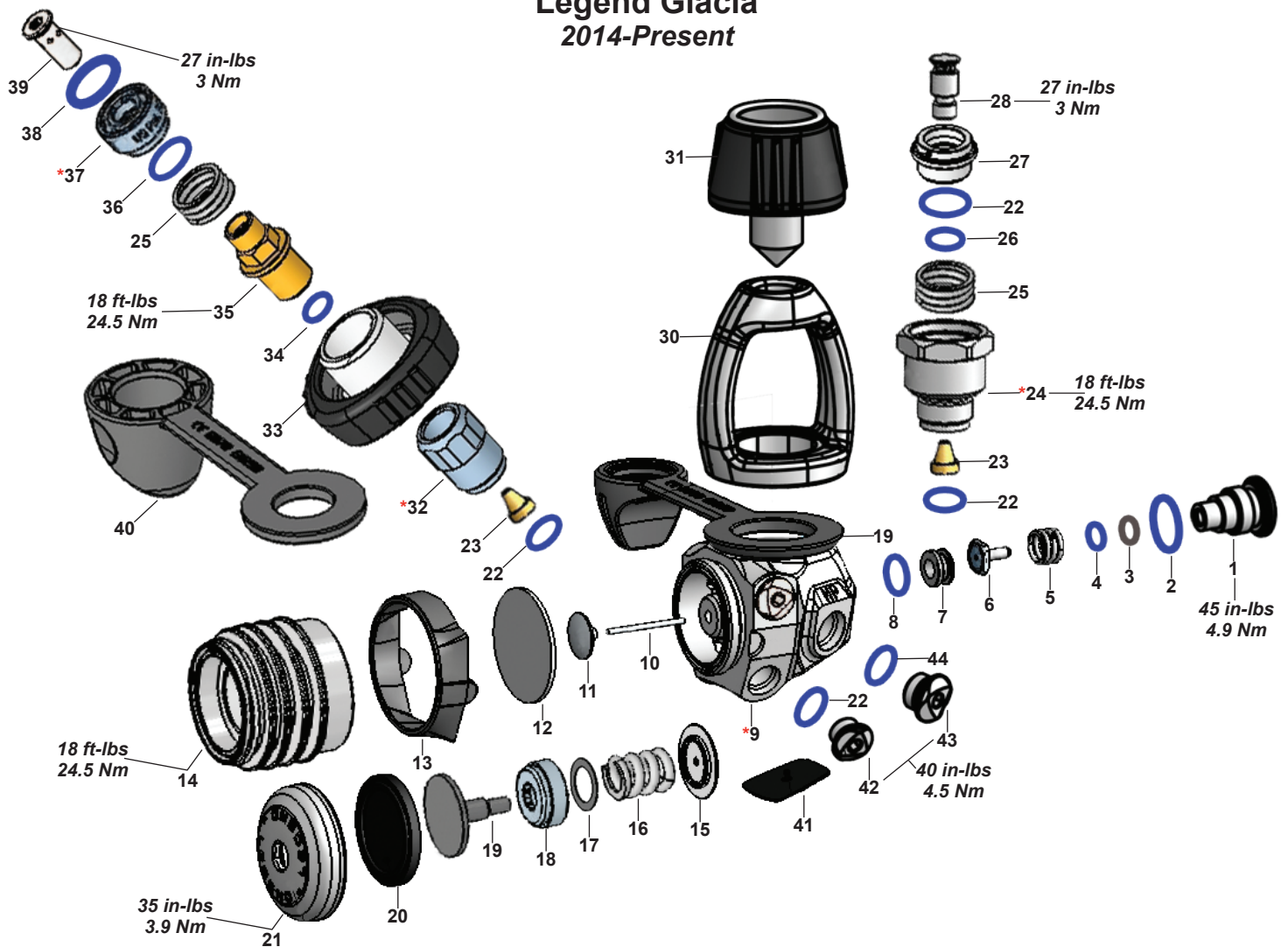
-----	900017	Overhaul Parts Kit ACD (Yoke and DIN)
-----	129635	First Stage Legend LX ACD, Yoke
-----	129645	First Stage Legend LX ACD, DIN
-----	129021	DIN Adapter Kit, (2013>)
-----	129803	DIN Adapter Kit, (2012)
1	129604	HP Balance Plug, Chrome, LX & Legend
-----	129746	HP Balance Plug, Satin, LX Supreme & Legend Sup
2	824407P	O-ring (20 pk)
3	119129	Backup ring
4	820080P	O-ring (25 pk)
5	122244	Spring
6	105940	HP Seat
7	127585	Crown
8	820038P	O-ring (20 pk)
9	129257	Body, Chrome, LX & Legend, 2013
-----	129808	Body, Chrome, LX & Legend
-----	129259	Body, Satin, LX Supreme & Leg Supreme, 2013
-----	129809	Body, Satin, LX Supreme & Legend Supreme
10	102002	Pin
11	129121	Pin Support
12	119159	Diaphragm
13	129609	Protector, Dry Chamber
14	129602	Diaphragm Clamp
15	127565	Spring Pad
16	127567	Main Spring
17	127568	Washer
18	127566	Adjustment Screw
19	129606	Piston
20	129126	Diaphragm, Secondary
21	129623	Ring, Chrome, LX & Legend
-----	129747	Ring, Satin, LX Supreme & Legend Supreme

Key #	Part #	Description
-------	--------	-------------

22	129611	Washer, Dry Chamber
23	129603	Dry Chamber Cap, Chrome, LX & Legend
-----	129744	Dry Chamber Cap, Satin, LX Supreme & Legend Sup
24	820011P	O-ring (25 pk)
25	129209	Filter, ACD
26	129242	Yoke Retainer, Chrome, 2013
-----	129212	Yoke Retainer, Chrome
27	129204	Spring, ACD
28	820009P	O-ring (10 pk)
29	129614	Yoke Crown, Black, LX & LX Supreme
-----	129205	Yoke Crown, Chrome, Legend & Legend Supreme
30	129207	Yoke Shutter Valve, LX & Legend
31	129607	Dust Cover, Yoke
32	124611	Yoke, Chrome, LX & Legend
-----	106843	Yoke, Satin, LX Supreme & Legend Supreme
33	129618	Yoke Screw
34	129241	DIN Union, 2013
-----	129214	DIN Filter Holder
35	129619	DIN Handwheel
36	820010P	O-ring (25 pk)
37	129213	DIN Screw
38	820322P	O-ring (10 pk)
39	129264	DIN Shutter Crown, Blk PVD, LX & LX Sup, 2013
-----	129616	DIN Shutter Crown, Black PVD, LX & LX Supreme
-----	129243	DIN Shutter Crown, Chrome, Leg & Leg Sup, 2013
-----	129203	DIN Shutter Crown, Chrome, Legend & Leg Sup
40	820094P	O-ring (20 pk)
41	129202	DIN Shutter Valve
42	129608	DIN Cap
43	129617	Decal
44	129612	Plug, MP Port, 3/8 inch
45	129613	Plug, HP Port, 7/16 inch
46	820072P	O-ring, HP Port (20 pk)

Part numbers in **BOLD ITALICS** indicate standard overhaul replacement part

Legend Glacia 2014-Present



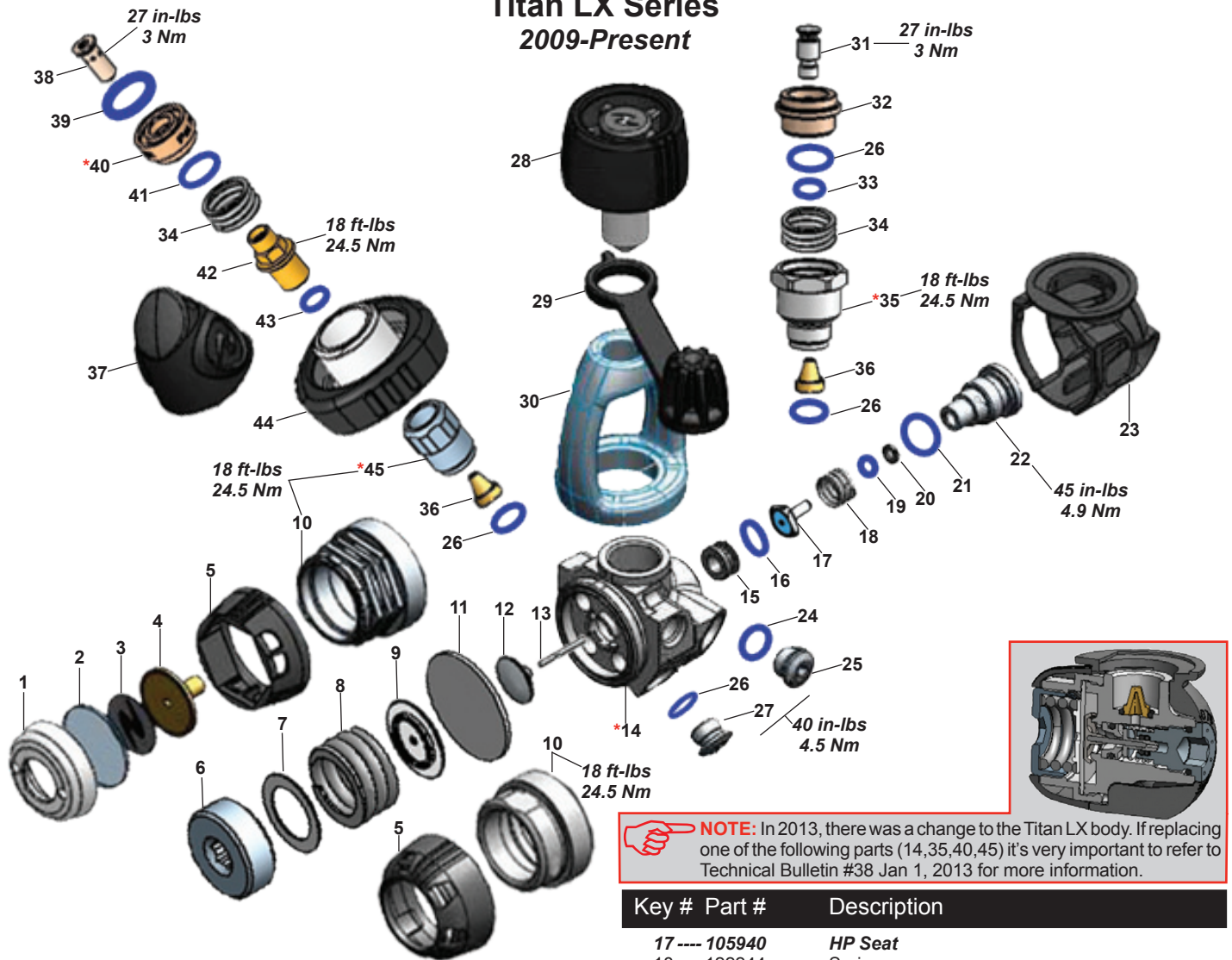
NOTE: For the Legend Glacia, in addition to the obvious change to the diaphragm clamp (14), the following parts (15-19) are not the same as the rest of the Legend series.

Key #	Part #	Description
-----	900017	Overhaul Parts Kit ACD (Yoke and DIN)
-----	129865	First Stage, Glacia Legend, Yoke
-----	129875	First Stage, Glacia Legend, DIN
-----	129021	DIN Adapter Kit, (2013>)
1----	129604	HP Balance Plug, Chrome
2----	824407P	O-ring (20 pk)
3----	119129	Backup ring
4----	820080P	O-ring (25 pk)
5----	122244	Spring
6----	105940	HP Seat
7----	127585	Crown
8----	820038P	O-ring (20 pk)
9----	129257	Body, Chrome
10----	102002	Pin
11----	129121	Pin Support
12----	119159	Diaphragm
13----	129609	Protector, Dry Chamber
14----	129851	Diaphragm Clamp
15----	124560	Spring Pad
16----	106356	Main Spring
17----	845097	Washer
18----	106026	Adjustment Screw
19----	129123	Piston
20----	129126	Diaphragm, Secondary

Key #	Part #	Description
21----	129603	Dry Chamber Cap, Chrome
22----	820011P	O-ring (25 pk)
23----	129209	Filter, ACD
24----	129242	Yoke Retainer, Chrome
25----	129204	Spring, ACD
26----	820009P	O-ring (10 pk)
27----	129205	Yoke Crown, Chrome
28----	129207	Yoke Shutter Valve
29----	129607	Dust Cover, Yoke
30----	124611	Yoke, Chrome
31----	129618	Yoke Screw
32----	129241	DIN Union
33----	129619	DIN Handwheel
34----	820010P	O-ring (25 pk)
35----	129213	DIN Screw
36----	820322P	O-ring (10 pk)
37----	129243	DIN Shutter Crown, Chrome
38----	820094P	O-ring (20 pk)
39----	129202	DIN Shutter Valve
40----	129608	DIN Cap
41----	129617	Decal
42----	129612	Plug, MP Port, 3/8 inch
43----	129613	Plug, HP Port, 7/16 inch
44----	820072P	O-ring, HP Port (20 pk)

Part numbers in **BOLD ITALICS** indicate standard overhaul replacement part

Titan LX Series 2009-Present



NOTE: In 2013, there was a change to the Titan LX body. If replacing one of the following parts (14, 35, 40, 45) it's very important to refer to Technical Bulletin #38 Jan 1, 2013 for more information.

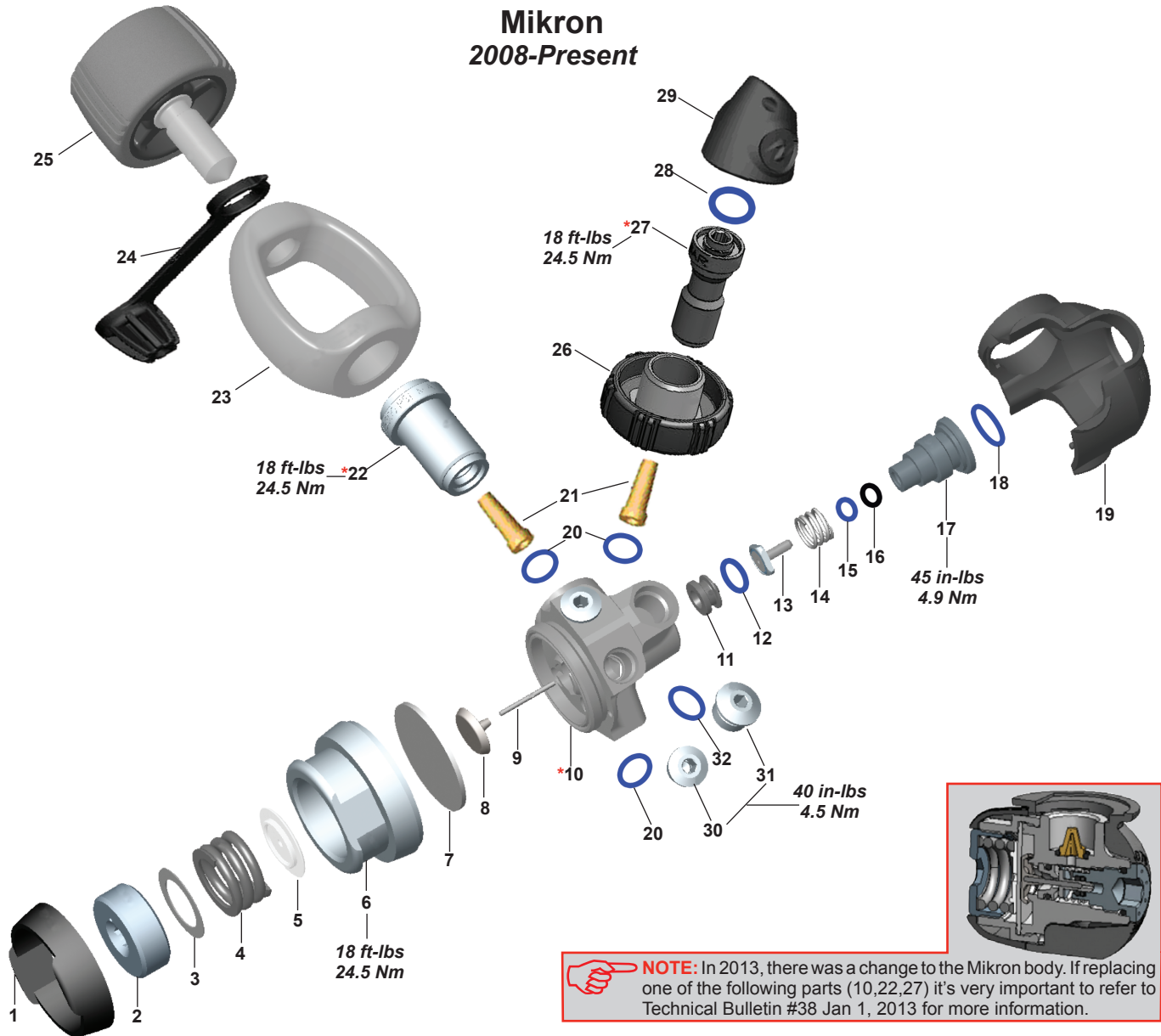
Key #	Part #	Description
-------	--------	-------------

17	105940	HP Seat
18	122244	Spring
19	820080P	O-ring (25 pk)
20	119129	Back-up Ring
21	824407P	O-ring (20 pk)
22	129120	Plug
23	128111	Protector, Body
	128124	Protector, Body,(2-HP Ports)
24	820072P	O-ring (20 pk)
25	103137	Plug, HP Port, 7/16"
26	820011P	O-ring (25 pk)
27	103133	Plug, MP Port, 3/8"
28	127574	Yoke Screw
29	124555	Dust Cap
30	124611	Yoke
31	129207	Yoke Valve
32	129205	Yoke Crown
33	820009P	O-ring (10 pk)
34	129204	Spring
35	129242	Yoke Retainer, 2013
	129212	Yoke Retainer
36	129209	Filter
37	129216	DIN ACD Cap
38	129202	DIN Shutter Valve
39	820094P	O-ring (20 pk)
40	129243	DIN Shutter crown, 2013
	129203	DIN Shutter crown
41	820322P	O-ring ((10 pk)
42	129213	DIN Screw
43	820010P	O-ring (25 pk)
44	128119	DIN Handwheel
45	129241	DIN Union, 2013
	129214	DIN Filter Holder

Key #	Part #	Description
	900018	Overhaul Parts Kit, (Yoke and DIN)
	128245	First Stage, Titan LX, Yoke
	128265	First Stage, Titan LX Supreme, Yoke
	129023	DIN Adapter Kit, ACD (2013>)
	128142	DIN Adapter Kit, ACD (<2012)
	128143	Supreme/Dry Kit, Titan LX
1	128123	Diaphragm Retainer
2	127579	Diaphragm, Secondary
3	125713	Decal, Aqua Lung Logo
4	127581	Piston
5	128122	Retainer Cover, Supreme
	128121	Retainer Cover
6	127566	Adjustment Screw, Supreme
	128117	Adjustment Screw
7	127568	Washer
8	127567	Spring
9	127565	Spring Pad
10	128115	Diaphragm Clamp, Supreme
	128113	Diaphragm Clamp
11	119159	Diaphragm
12	127563	Pin Support
13	127564	Pin
14	129244	Body, 2013
	NLA	Pre 2013 Body, w/2-HP Ports
	NLA	Pre 2013 Body, w/1-HP Port
15	127585	Crown
16	820038P	O-ring (20 pk)

Part numbers in **BOLD ITALICS** indicate standard overhaul replacement part

Mikron 2008-Present



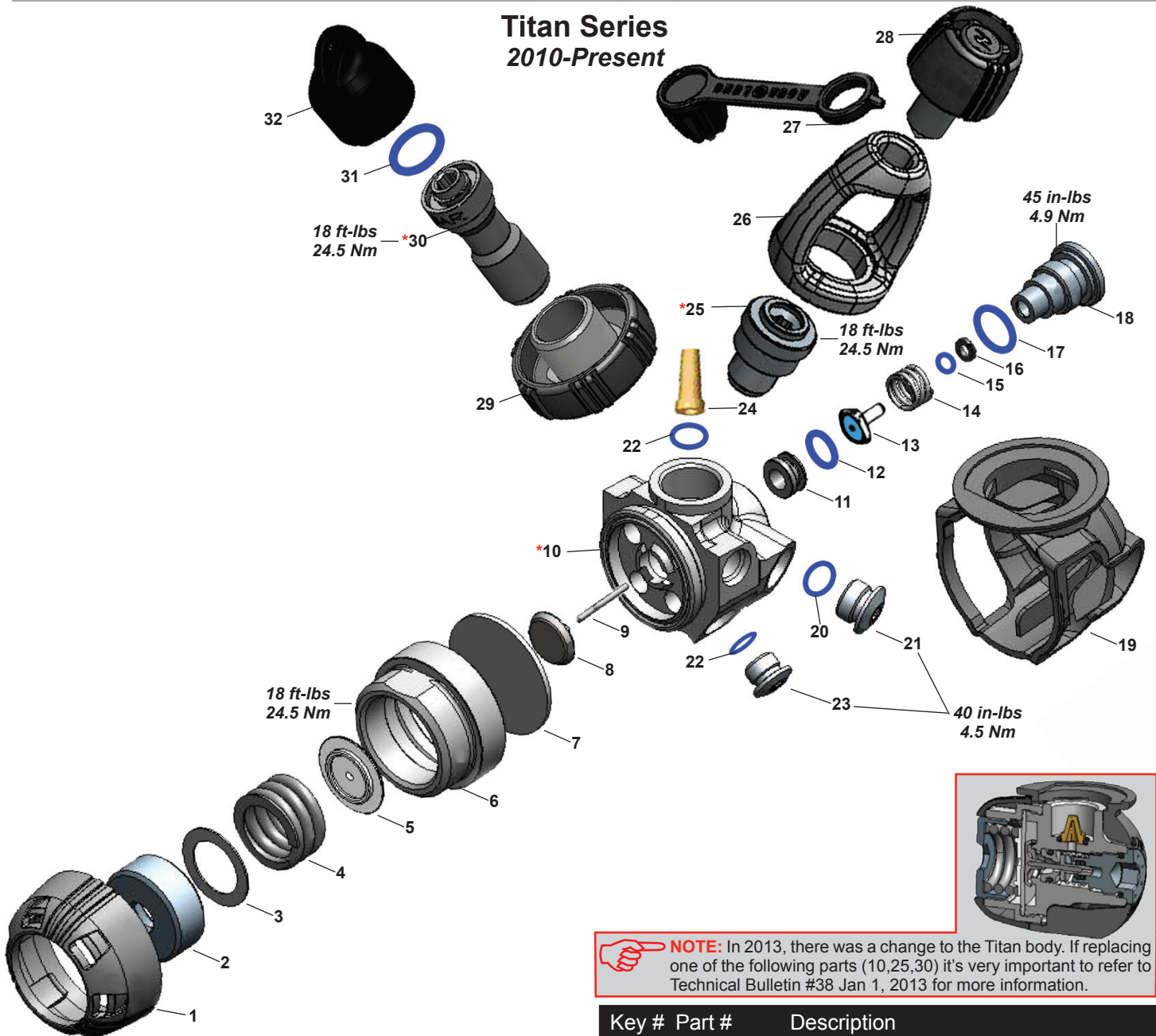
NOTE: In 2013, there was a change to the Mikron body. If replacing one of the following parts (10,22,27) it's very important to refer to Technical Bulletin #38 Jan 1, 2013 for more information.

Key #	Part #	Description
----	900014	Overhaul Parts Kit, (Yoke and DIN)
----	127945	First Stage, Mikron, Yoke, Blk/Blue
----	127925	First Stage, Mikron, Yoke, Blk/Pink
----	129022	DIN Adapter Kit (2013>)
----	127865	DIN Adapter Kit (<2012)
1----	127888	Spacer, Black/Blue
----	127878	Spacer, Black/Pink
----	127872	Spacer, Black/Green
----	127837	Spacer, Black/Red
----	127839	Spacer, Vanilla
2----	127566	Adjustment Screw
3----	127568	Washer
4----	127567	Spring
5----	127565	Spring Pad
6----	127583	Spring Retainer
----	127874	Spring Retainer, (2-HP Ports)
7----	119159	Diaphragm
8----	127563	Pin Support
9----	127564	Pin
10----	129244	Body, 2013
----	NLA	Pre 2013 Body, w/2-HP Ports
----	NLA	Pre 2013 Body, w/1-HP Port
11----	127585	Crown

Key #	Part #	Description
12----	820038P	O-ring (20 pk
13----	105940	HP Seat
14----	122244	Spring
15----	820080P	O-ring (25 pk)
16----	119129	Back-up Ring
17----	129120	Plug
18----	824407P	O-ring (20 pk)
19----	127876	Sheath, Black, (2-HP Ports)
----	127831	Sheath, Vanilla, (1-HP Port)
----	127804	Sheath, Black, (1-HP Port)
20----	820011P	O-ring (25 pk)
21----	129151	Filter
22----	129253	Inlet Fitting, 2013
----	127808	Inlet Fitting
23----	127807	Yoke
24----	124555	Dust Cap
25----	127805	Yoke Screw
26----	127803	DIN Handwheel
27----	129251	DIN Fitting, 2013
----	127801	DIN Fitting
28----	820094P	O-ring (20 pk)
29----	129216	DIN ACD Cap
30----	103133	Plug, MP Port, 3/8"
31----	103137	Plug, HP Port, 7/16"
32----	820072P	O-ring (20 pk)

Part numbers in **BOLD ITALICS** indicate standard overhaul replacement part

Titan Series 2010-Present



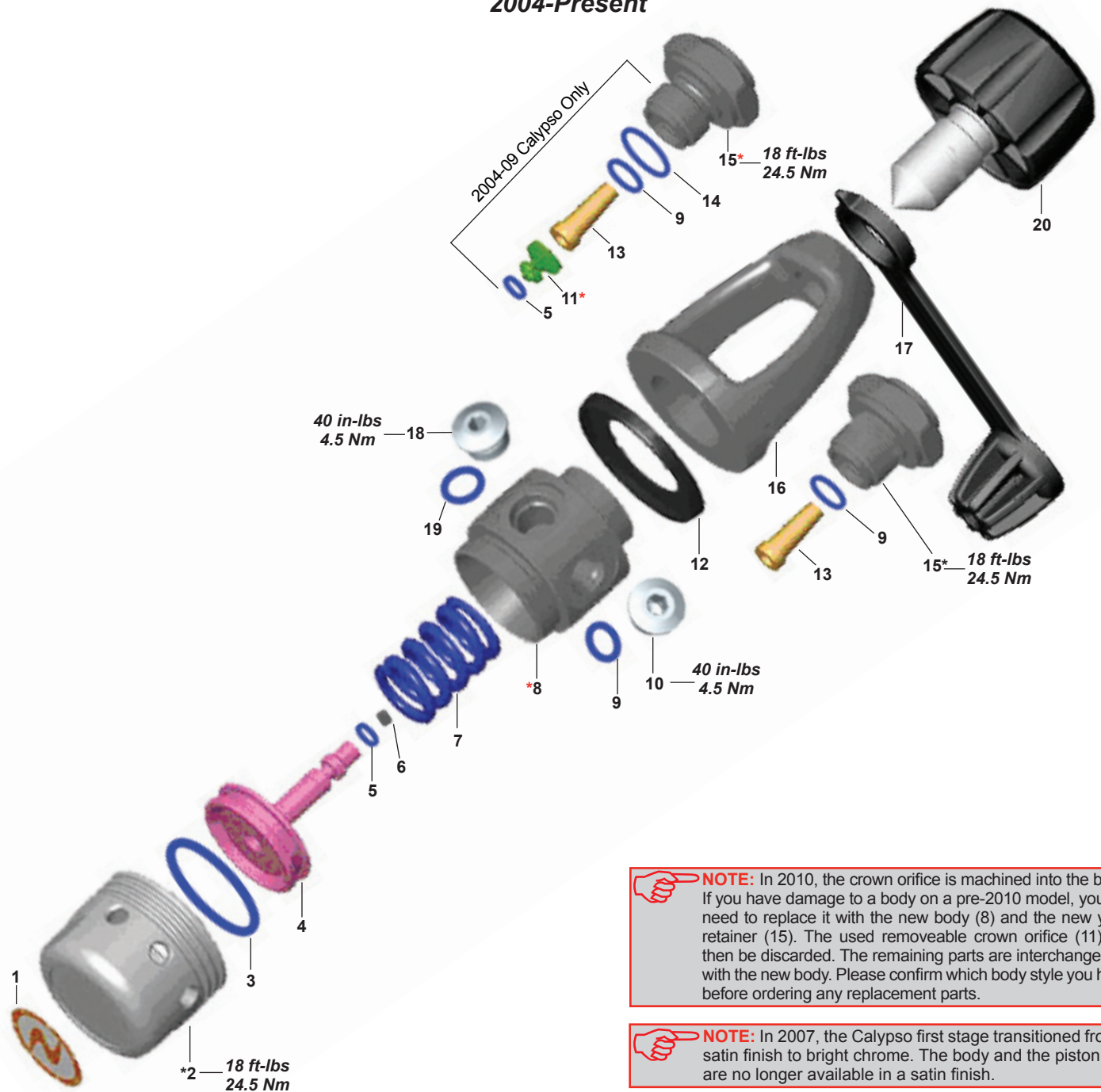
NOTE: In 2013, there was a change to the Titan body. If replacing one of the following parts (10,25,30) it's very important to refer to Technical Bulletin #38 Jan 1, 2013 for more information.

Key #	Part #	Description
12	820038P	O-ring (20 pk)
13	105940	HP Seat
14	122244	Spring
15	820080P	O-ring (25 pk)
16	119129	Back-up Ring
17	824407P	O-ring (20 pk)
18	129120	Plug
19	128124	Protector, Body, (2-HP Ports)
	128111	Protector, Body, (1-HP Port)
20	820072P	O-ring (20 pk)
21	103137	Plug, HP Port, 7/16"
22	820011P	O-ring (25 pk)
23	103133	Plug, MP Port, 3/8"
24	129151	Filter
25	129252	Inlet Fitting, 2013
	128633	Inlet Fitting
26	124611	Yoke
27	124555	Dust Cap
28	128631	Yoke Screw
29	128632	DIN Handwheel
30	129251	DIN Fitting, 2013
	127801	DIN Fitting
31	820094P	O-ring (20 pk)
32	107443	DIN Cap

Key #	Part #	Description
	900014	Overhaul Parts Kit, (Yoke and DIN)
	128205	First Stage, Titan, Yoke
	129022	DIN Adapter Kit, (2013>)
	128545	DIN Adapter Kit, (2010-12)
	129023	DIN ACD Conversion Kit (2013>)
	128142	DIN ACD Conversion Kit (2010-12)
	128143	Supreme/Dry Kit
1	128634	Retainer Cover
2	128117	Adjustment Screw
3	127568	Washer
4	127567	Spring
5	127565	Spring Pad
6	128113	Spring Retainer
7	119159	Diaphragm
8	127563	Pin Support
9	127564	Pin
10	129244	Body, 2013
	NLA	Pre 2013 Body, w/2-HP Ports
	NLA	Pre 2013 Body, w/1-HP Port
11	127585	Crown

Part numbers in **BOLD ITALICS** indicate standard overhaul replacement part

Calypso Series 2004-Present



NOTE: In 2010, the crown orifice is machined into the body. If you have damage to a body on a pre-2010 model, you will need to replace it with the new body (8) and the new yoke retainer (15). The used removeable crown orifice (11) will then be discarded. The remaining parts are interchangeable with the new body. Please confirm which body style you have before ordering any replacement parts.

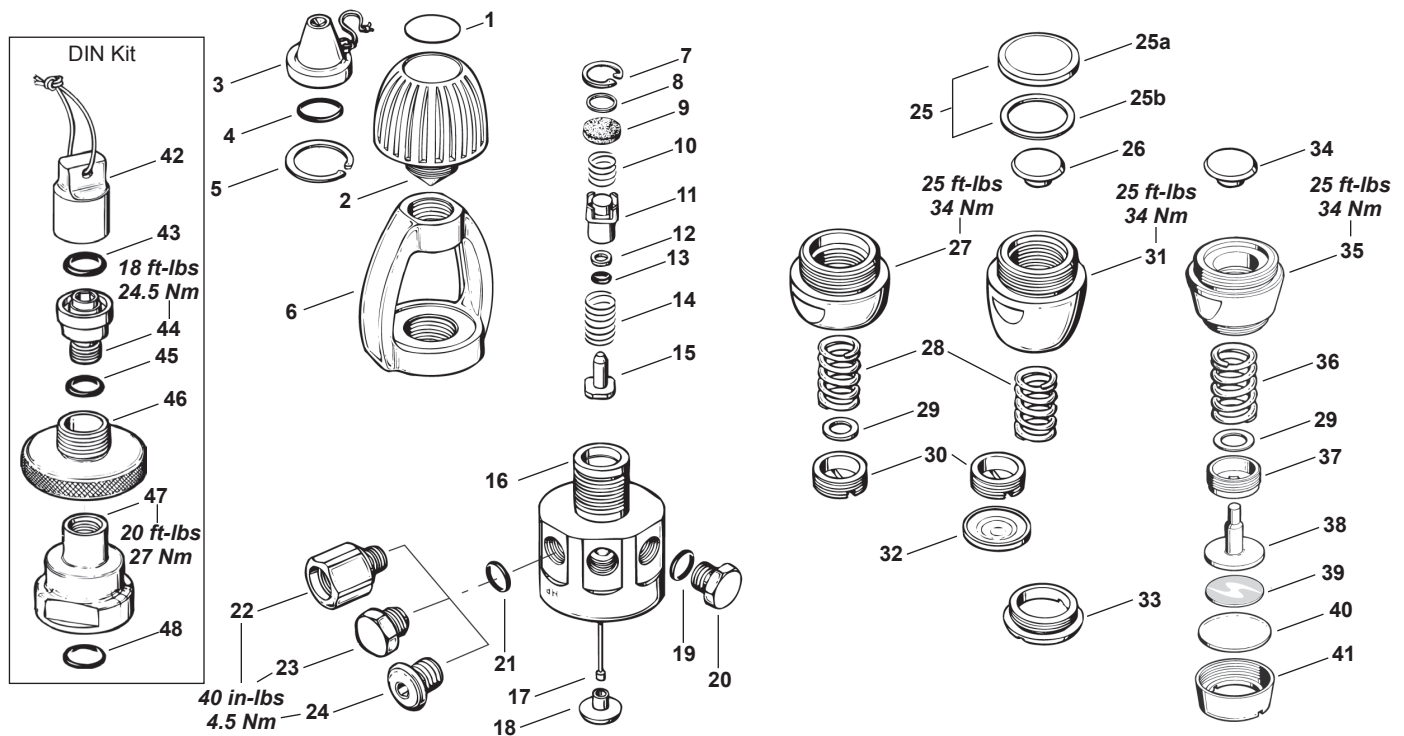
NOTE: In 2007, the Calypso first stage transitioned from a satin finish to bright chrome. The body and the piston cap are no longer available in a satin finish.

Key #	Part #	Description
-----	900015	Overhaul Parts Kit
-----	128705	First Stage, Calypso, Yoke
1----	128657	Decal, Aqua Lung logo, Orange
-----	125713	Decal, Aqua Lung logo
2----	125712	Piston cap, chrome
3----	820062P	O-ring (10 pk)
4----	125717	Piston
5----	820007P	O-ring (20 pk)
6----	106726	HP seat
7----	106771	Spring
8----	128658	Body, 2010 Calypso, chrome
-----	NLA	Pre 2010 Body
9----	820011P	O-ring (25 pk)

Key #	Part #	Description
10----	103133	Plug, MP Port, 3/8 inch
11----	106767	Crown orifice (only used on pre-2010 model)
12----	125710	Yoke washer
13----	129151	Filter
14----	820015P	O-ring (10 pk)
15----	128653	Inlet fitting, 2010 Calypso
-----	NLA	Inlet fitting, pre-2010
16----	106843	Yoke, satin
-----	124611	Yoke, bright Chrome
17----	124555	Dust cap
18----	103137	Plug, HP Port, 7/16 inch
19----	957004P	O-ring (25 pk)
20----	128631	Yoke screw
-----	107508	Yoke screw, green, Nitrox, O ₂

Part numbers in **BOLD ITALICS** are included in the service kit

Conshelf XIV Series 1978-Present (Military Only)

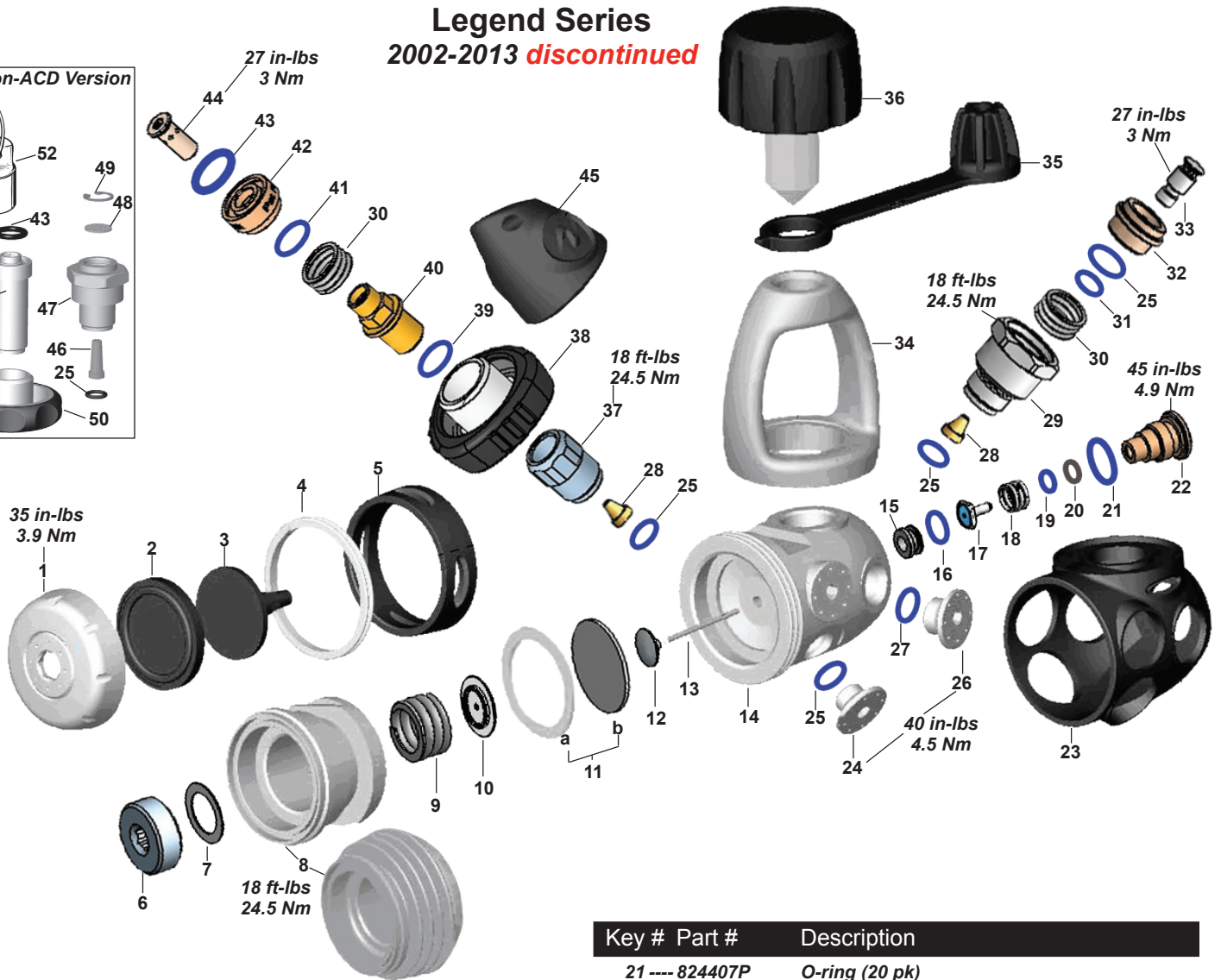
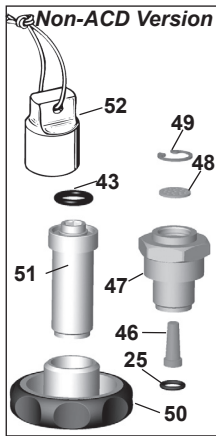


Key #	Part #	Description
-----	900001	Overhaul Parts Kit
-----	107700	First Stage, Conshelf XIV
-----	108810	First Stage, Conshelf XIV Supreme
1----	NLA	Decal
2----	107506	Yoke Screw
3----	101012	Dust Cap
4----	820120P	O-ring (10 pk)
5----	861068	Retaining Ring
6----	700418	Yoke
7----	863051	Retaining Ring
8----	124628	Washer, Stainless
9----	105106	Filter
10----	104613	Spring
11----	105324	Balance Chamber
12----	119129	Back-up Ring, Black, Non-Split
-----	828005	Back-up Ring, White, Split, Military Only
13----	820080P	O-ring (25 pk)
14----	101504	Spring
15----	105940	HP Seat
-----	M105320	HP Seat, Military Only
16----	105333	Body, Conshelf XIV, 5-port
17----	105323	Pin
18----	101727	Pin Support
19----	820011P	O-ring (3/8" Port) (25 pk)
20----	910912	Plug, MP Port, 3/8 inch
-----	104304	Plug, MP Port, 3/8 inch
21----	957004P	O-ring (7/16" HP Port) (25 pk)
22----	101785	Adapter, HP, 7/16" Female to 3/8" Male
23----	910912	Plug, HP Port, 3/8 inch, Con XIV, pre-1998
24----	102003	Plug, HP Port, 7/16 inch
25----	103425	Diaphragm, Grey, w/Thrust Washer
25a----	103429	Diaphragm, Black, Military
25b----	821026	Thrust Washer, Military

Key #	Part #	Description
26----	101728	Spring Pad
27----	105326	Spring Retainer
28----	105327	Spring
29----	845097	Washer, Main Spring (non-oil filled only)
30----	101549	Adjustment Screw
Used on Supreme Models		
28----	105944	Spring (Supreme only)
31----	108851	Spring Retainer, Supreme
32----	108853	Secondary Diaphragm, Supreme
33----	108854	Diaphragm Retainer, Supreme
N/S----	108855	Silicone Fluid, 2 oz., Military Only
N/S----	108865	Silicone Fluid, 2 oz.
Used with "Dry" Environmental Kit		
-----	100525	Dry Environmental Kit, Conshelf, Complete
34----	124560	Spring Pad
35----	106317	Spring Retainer
36----	106356	Spring
37----	106026	Adjustment Screw
38----	106319	Piston
39----	106338	Decal
40----	106337	External Diaphragm
41----	106318	Diaphragm Retainer
DIN Kit		
-----	107455	DIN Adapter Kit, Conshelf
42----	107443	Protector Cap, DIN Connector
43----	820094P	O-ring (20 pk)
44----	106056	Handwheel Retainer, Conshelf
45----	820039P	O-ring (10 pk)
46----	108652	Handwheel, Conshelf, 300 BAR
47----	106057	DIN Adapter, Conshelf
48----	820014P	O-ring (25 pk)

Part numbers in **BOLD ITALICS** indicate standard overhaul replacement part

Legend Series
2002-2013 *discontinued*



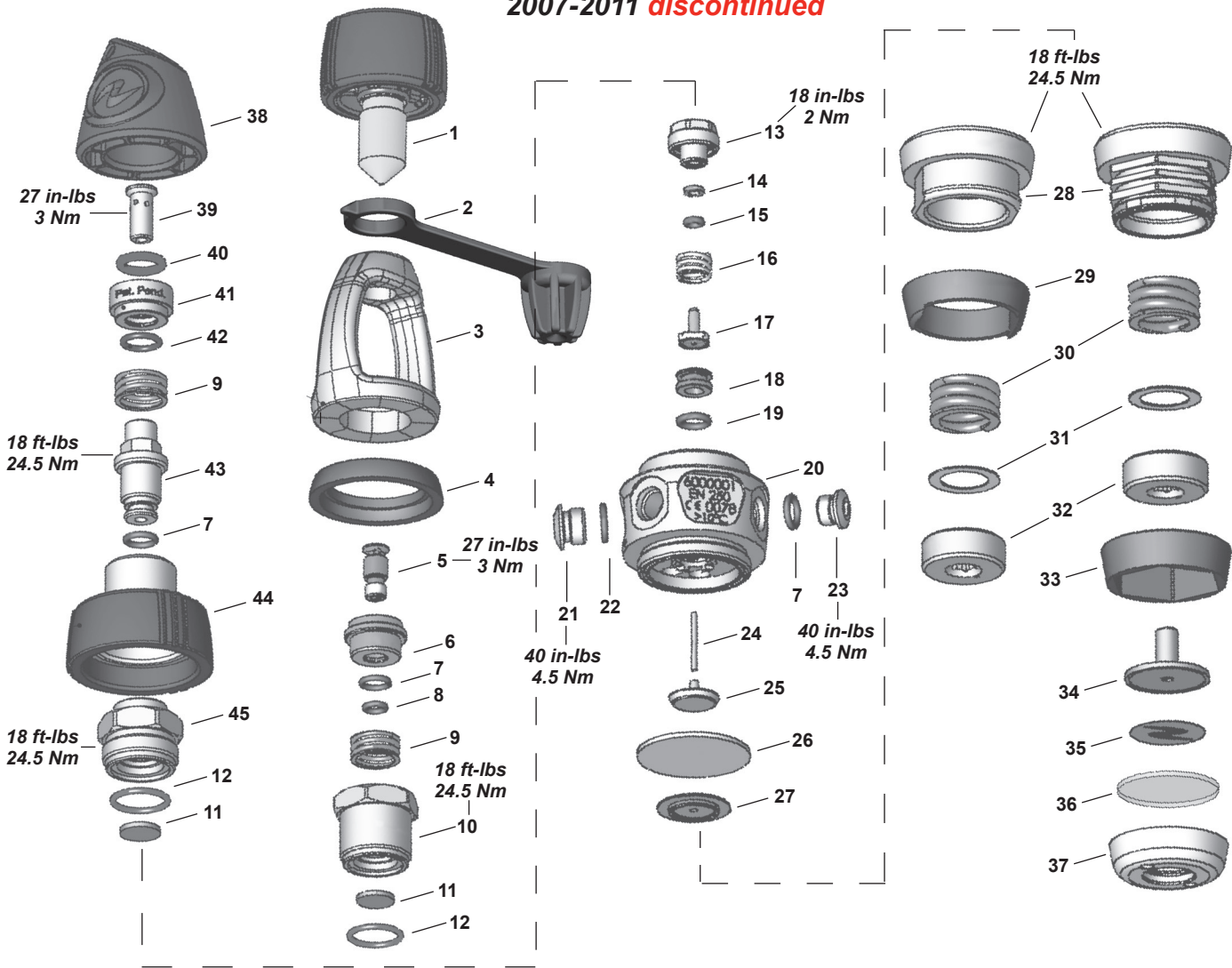
Key # Part # Description

Key #	Part #	Description
-----	900017	Overhaul Parts Kit ACD (Yoke and DIN)
-----	900014	Overhaul Parts Kit non-ACD (Yoke and DIN)
-----	129226	ACD Conversion Kit, Yoke (use original yoke & yoke screw)
-----	129227	ACD Conversion Kit, DIN
1 ----	129196	Cap, Chrome
-----	129349	Cap, Glacia
2 ----	129126	Diaphragm, Secondary
3 ----	129123	Piston
4 ----	129127	Ribbed Washer, Legend/Leg Supreme
5 ----	129128	Spacer, Legend/Leg Supreme
6 ----	106026	Adjustment Screw
7 ----	845097	Washer
8 ----	129122	Diaphragm Clamp
-----	129341	Diaphragm Clamp, Glacia
9 ----	106356	Main Spring
10 ----	124560	Spring Pad
11 ----	103425	Diaphragm Kit (includes 19a & 19b)
12 ----	129121	Pin Support
13 ----	102002	Pin
14 ----	129111	Body
15 ----	127585	Crown
16 ----	820038P	O-ring (20 pk)
17 ----	105940	HP Seat
18 ----	122244	Spring
19 ----	820080P	O-ring (25 pk)
20 ----	119129	Backup ring

21 ----	824407P	O-ring (20 pk)
22 ----	129120	HP Plug
23 ----	129112	Protective Cover
24 ----	129119	Plug, MP Port, 3/8 inch
25 ----	820011P	O-ring (25 pk)
26 ----	129118	Plug, HP Port, 7/16 inch
27 ----	820072P	O-ring, HP Port, (20-pk)
28 ----	129209	Filter, ACD
29 ----	129212	Yoke Retainer, ACD
30 ----	129204	Spring, ACD
31 ----	820009P	O-ring (10 pk)
32 ----	129205	Yoke Crown, ACD
33 ----	129207	Yoke Valve, ACD
34 ----	124611	Yoke, Chrome
35 ----	124555	Dust Cap
36 ----	128631	Yoke Screw
37 ----	129214	DIN Filter Holder
38 ----	128119	DIN Handwheel, ACD
39 ----	820010P	O-ring (25 pk)
40 ----	129213	DIN Screw, ACD
41 ----	820322P	O-ring (10 pk)
42 ----	129203	DIN Shutter Crown, ACD
43 ----	820094P	O-ring (20 pk)
44 ----	129202	DIN Shutter Valve, ACD
45 ----	129216	DIN Cap, ACD
46 ----	129151	Filter (non-ACD)
47 ----	129124	Inlet Fitting (non-ACD)
48 ----	129149	Shield (non-ACD)
49 ----	863051	C-Clip (non-ACD)
50 ----	129117	DIN Handwheel (non-ACD)
51 ----	129125	DIN Fitting (non-ACD)
52 ----	107443	DIN Cap (non-ACD)

Part numbers in **BOLD ITALICS** indicate standard overhaul replacement part

Kronos Series 2007-2011 *discontinued*



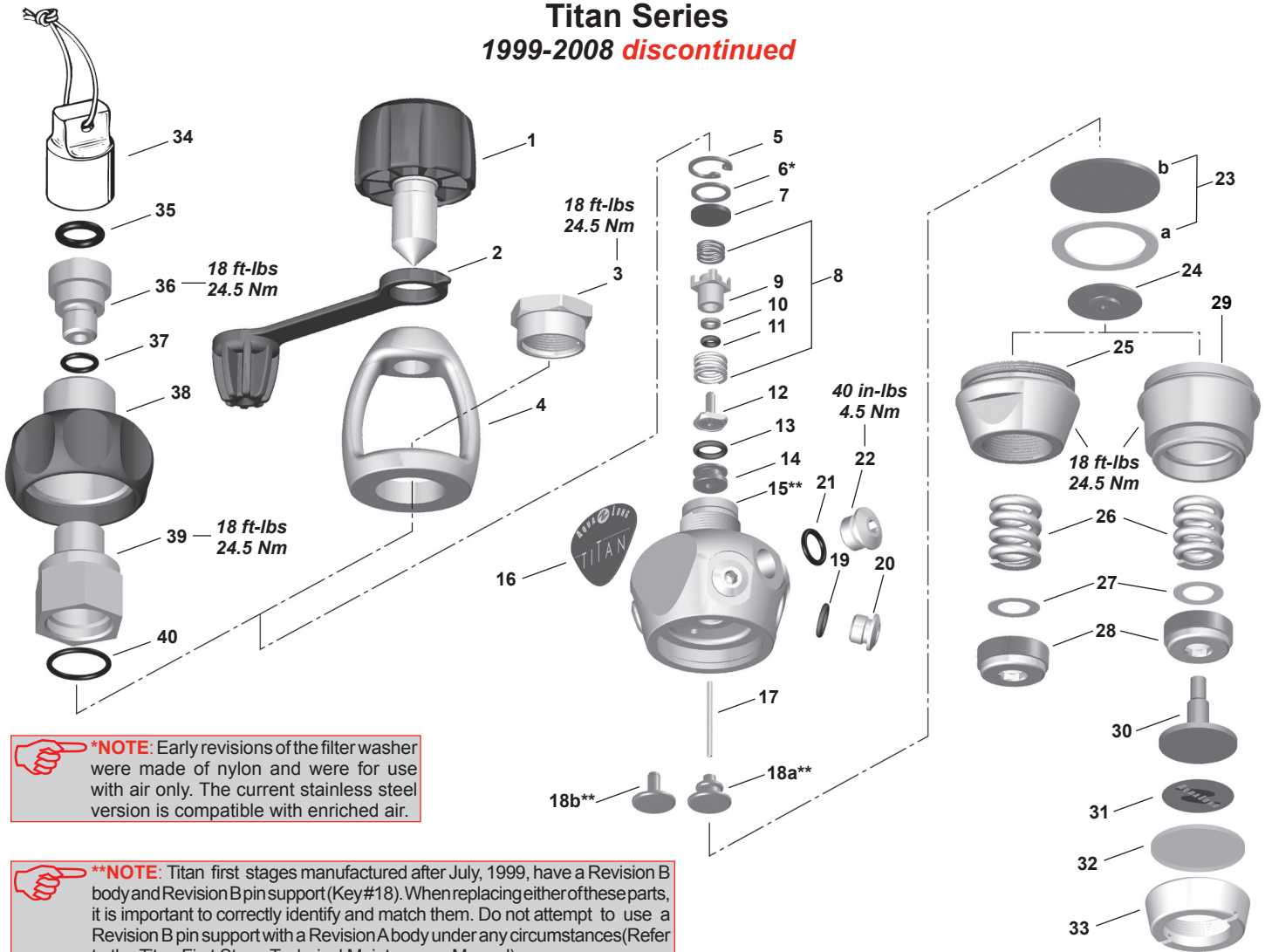
Key #	Part #	Description
-----	900018	Overhaul Parts Kit (Yoke and DIN)
1----	127574	Yoke Screw
2----	124555	Dust Cap
3----	106843	Yoke
4----	127575	Yoke Ring
5----	129207	Yoke Valve
6----	129205	Yoke Crown
7----	820011P	O-ring (25 pk)
8----	820009P	O-ring (10 pk)
9----	129204	Spring
10----	127576	Yoke Retainer
11----	105106	Filter
12----	820016P	O-ring (10 pk)
13----	127562	Balance Chamber
14----	119129	Back-up Ring
15----	820080P	O-ring (25 PK)
16----	122244	Spring
17----	105940	HP Seat
18----	127585	Crown
19----	820038P	O-ring (20 pk)
20----	NLA	Body, Kronos
----	NLA	Body, Kronos Supreme
21----	103137	Plug, HP Port, 7/16 inch
22----	820072P	O-ring (20 pk)

Key #	Part #	Description
23----	103133	Plug, MP Port, 3/8 inch
24----	127564	Pin
25----	127563	Pin Support
26----	119159	Diaphragm
27----	127565	Spring Pad
28----	127583	Spring Retainer
----	127577	Spring Retainer, Dry
29----	127586	Washer, Std Retainer
30----	127567	Spring
31----	127568	Washer
32----	127566	Adjustment Screw
33----	127587	Washer, Dry Retainer
34----	127581	Piston
35----	125713	Decal, Aqua Lung Logo
36----	127579	Diaphragm, Secondary
37----	127582	Diaphragm Retainer
38----	129216	DIN ACD Cap
39----	129202	DIN Shutter Valve
40----	820094P	O-ring (20 pk)
41----	129203	DIN Shutter Crown
42----	820322P	O-ring (10 pk)
43----	127573	DIN Screw
44----	127571	DIN Handwheel
45----	127572	Filter Holder

Part numbers in **BOLD ITALICS** indicate standard overhaul replacement part

Titan Series

1999-2008 *discontinued*



***NOTE:** Early revisions of the filter washer were made of nylon and were for use with air only. The current stainless steel version is compatible with enriched air.

****NOTE:** Titan first stages manufactured after July, 1999, have a Revision B body and Revision B pin support (Key #18). When replacing either of these parts, it is important to correctly identify and match them. Do not attempt to use a Revision B pin support with a Revision A body under any circumstances (Refer to the Titan First Stage Technical Maintenance Manual)

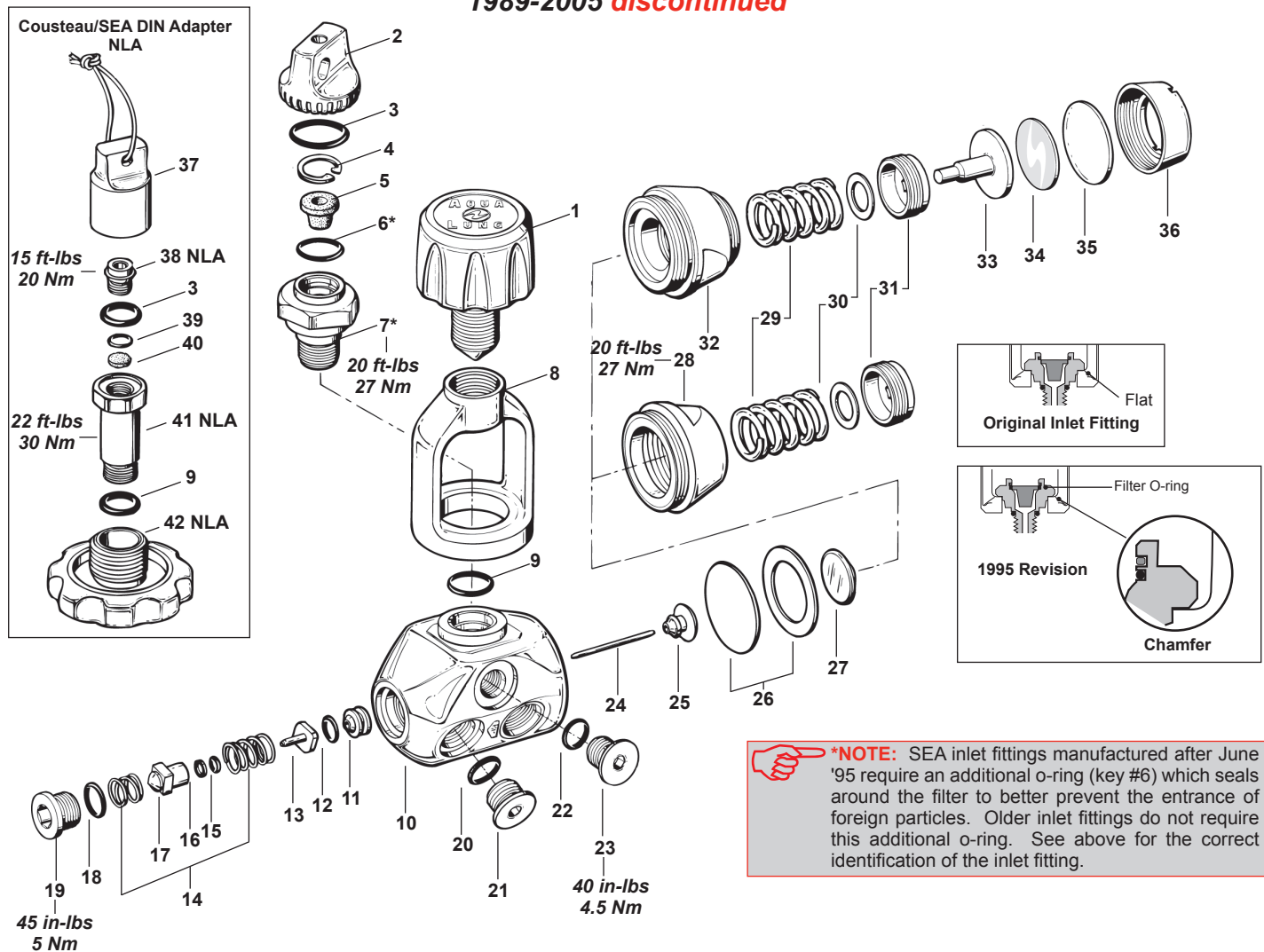
Key #	Part #	Description
-----	900001	Overhaul Parts Kit
1----	128631	Yoke Screw
2----	124555	Dust Cap
3----	103162	Yoke Retainer
4----	106843	Yoke
5----	863051	Circlip
6----	124628	Washer, Stainless (see *NOTE)
7----	105106	Filter
8----	101509	Spring Kit (includes both springs)
9----	105324	Balance Chamber
10----	119129	Backup Chamber
11----	820080P	O-ring (25 pk)
12----	105940	HP Seat
13----	820038P	O-ring (20 pk)
14----	127585	Crown
15----	103101	Body, Rev. B (see **NOTE)
16----	103182	Decal, Titan
17----	102002	Pin
18a---	106022	Pin Support, Rev. A (see **NOTE)
18b---	101569	Pin Support Rev. B (see **NOTE)
19----	957004P	O-ring (7/16" HP Port) (25 pk)
20----	103137	Plug, HP Port, 7/16 inch
21----	820011P	O-ring (3/8" Port) (25 pk)
22----	103133	Plug, MP Port, 3/8 inch

Key #	Part #	Description
23----	103425	Diaphragm Kit (includes 23a & 23b)
24----	124560	Spring Pad
25----	103104	Spring Retainer
26----	106356	Spring
27----	845097	Washer
28----	106026	Adjustment Screw
Used with "Dry" Environmental Kit		
-----	100525	Dry Environmental Kit, Complete
29----	106317	Spring Retainer
30----	106319	Piston
31----	106338	Decal
32----	106337	Diaphragm, External
33----	106318	Diaphragm Retainer
Titan DIN Adapter		
-----	103172	DIN Adapter Kit, Titan
34----	107443	Protector Cap, DIN Connector
35----	820094P	O-ring (20 pk)
36----	106056	Handwheel Retainer
37----	820072P	O-ring (20 pk)
38----	103176	Handwheel
39----	103174	DIN Adapter
40----	820017P	O-ring (10 pk)

Part numbers in **BOLD ITALICS** indicate standard overhaul replacement part

Cousteau • SEA

1989-2005 *discontinued*



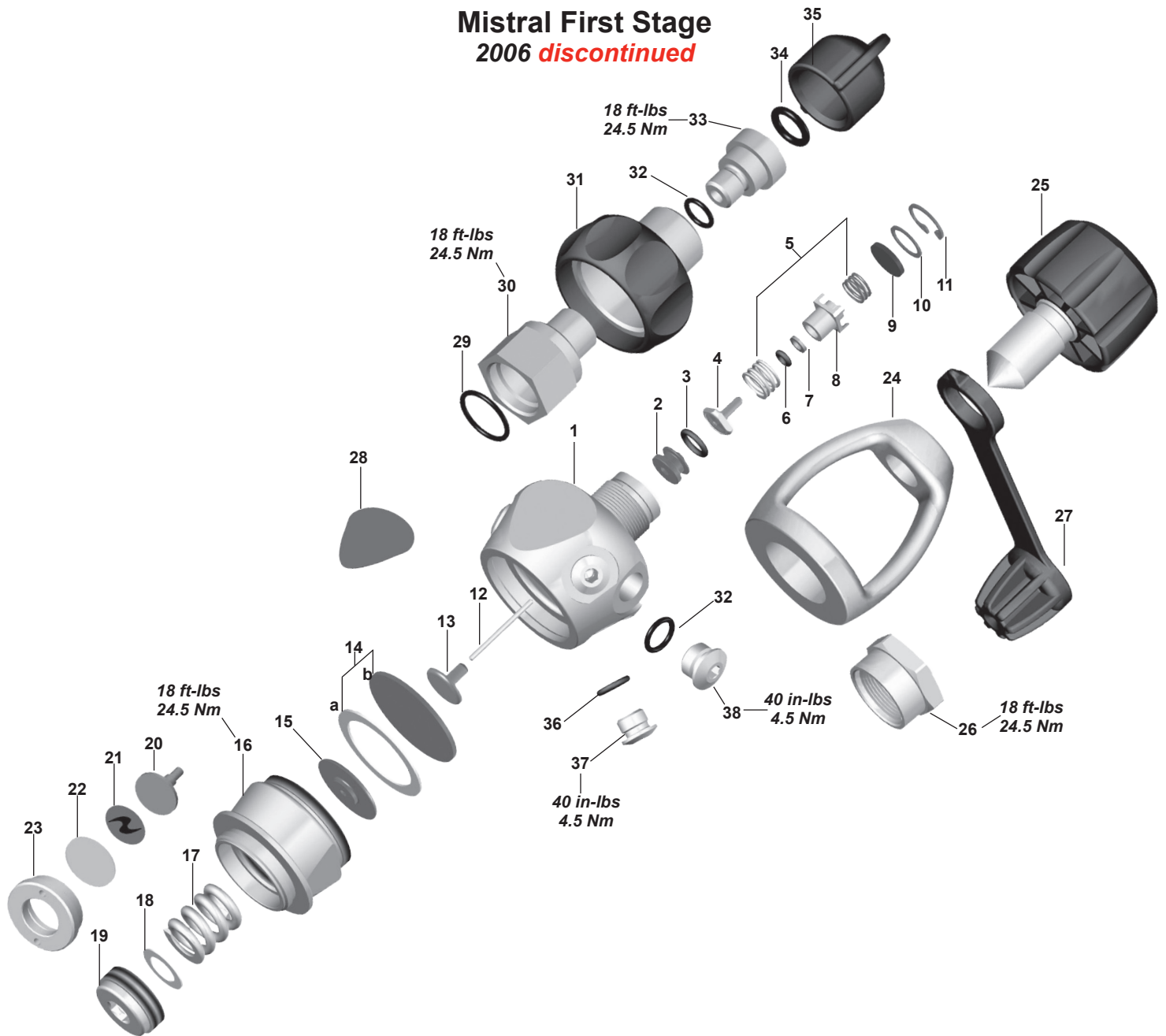
***NOTE:** SEA inlet fittings manufactured after June '95 require an additional o-ring (key #6) which seals around the filter to better prevent the entrance of foreign particles. Older inlet fittings do not require this additional o-ring. See above for the correct identification of the inlet fitting.

Key #	Part #	Description	Key #	Part #	Description
-----	900000	Overhaul Parts Kit	21	106303	Plug, HP Port, 7/16 inch
-----	100525	Dry Environmental Kit, Complete	22	820011P	O-ring (25 pk)
1	128631	Yoke Screw	23	106304	Plug, MP Port, 3/8 inch
2	NLA	Dust Cap	24	106323	Pin
3	820094P	O-ring (20 pk)	25	106022	Pin Support
4	863051	Circlip	26	103425	Diaphragm w/ Thrust Washer
5	106839	Filter	27	124560	Spring Pad
6	820014P	O-ring (25 pk)	28	106324	Spring Retainer
7	106339	Inlet Fitting	29	106356	Spring
8	124611	Yoke	30	845097	Washer
9	820013P	O-ring (10 pk)	31	106026	Adjustment Screw
10	106322	Body	32	106317	Spring Retainer, Dry
11	127585	Crown	33	106319	Piston
12	820038P	O-ring (20 pk)	34	106338	Decal
13	105940	HP Seat	35	106337	External Diaphragm
14	101509	Spring Kit (includes both springs)	36	106318	Diaphragm Retainer
15	820080P	O-ring (25 pk)	37	107443	Protector Cap, DIN Connector
16	119129	Backup Ring	38	NLA	Filter Retainer
17	101565	Balance Chamber	39	820010P	O-ring (pre-1999 models only) (25 pk)
18	824407P	O-ring (20 pk)	40	106326	Filter
19	106327	End Plug	41	NLA	Inlet Fitting
20	957004P	O-ring (25 pk)	42	NLA	Handwheel

Part numbers in **BOLD ITALICS** indicate standard overhaul replacement part

Mistral First Stage

2006 *discontinued*

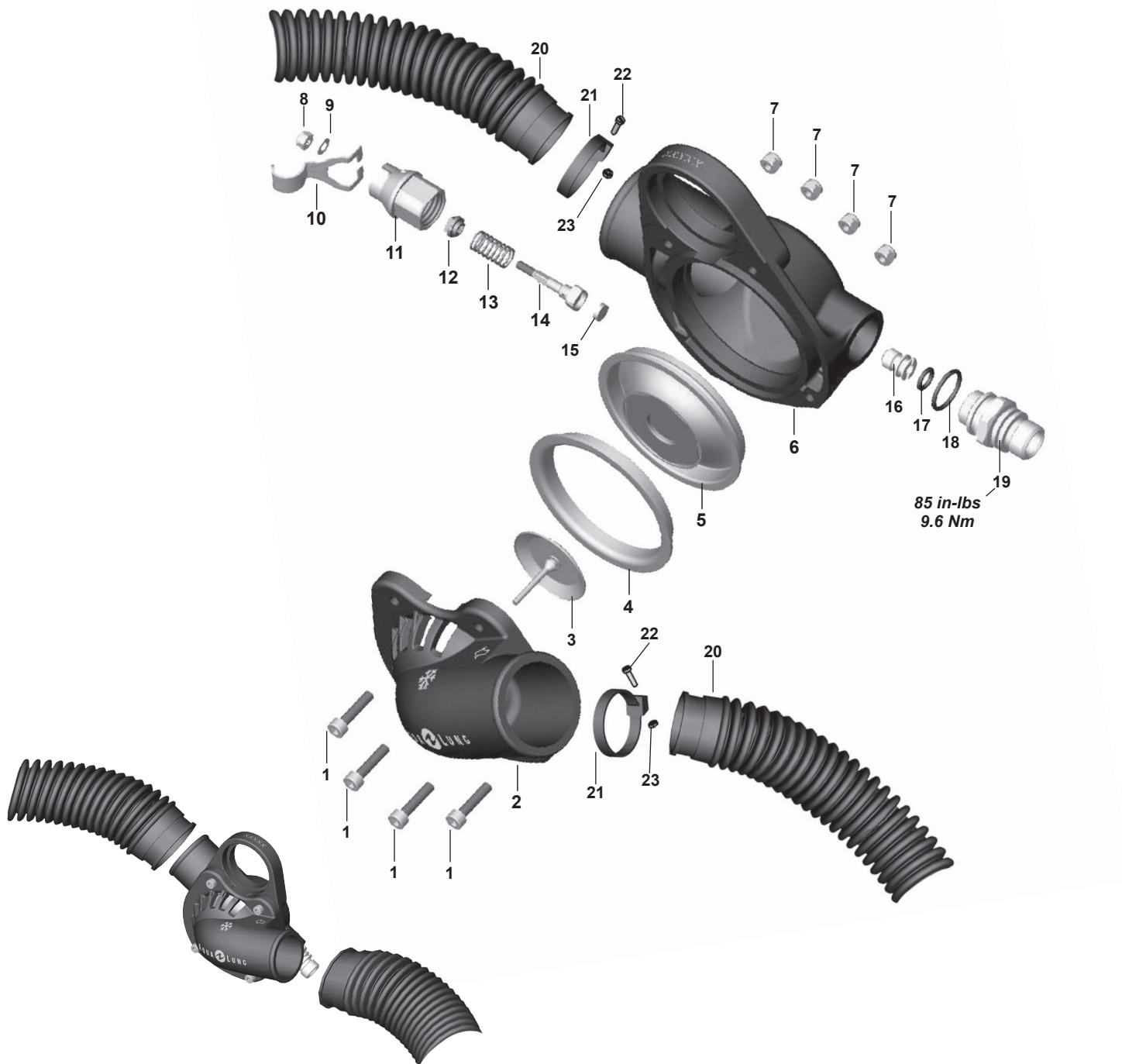


Key #	Part #	Description
-----	900016	Overhaul Parts Kit, Entire Mistral
1-----	103101	Body
2-----	127585	Crown
3-----	820038P	O-ring (20 pk)
4-----	105940	HP Seat
5-----	101509	Spring Kit (includes both springs)
6-----	820080P	O-ring (25 pk)
7-----	119129	Backup Ring
8-----	105324	Spring Block
9-----	105106	Filter
10-----	124628	Filter Washer
11-----	863051	Circlip
12-----	102002	Pin
13-----	101569	Pin Support
14-----	103425	Diaphragm Kit (includes 14a & 14b)
15-----	124560	Spring Pad
16-----	125923	Spring Retainer
17-----	106356	Spring
18-----	845097	Washer

Key #	Part #	Description
19-----	106026	Adjustment Screw
20-----	106319	Piston
21-----	125713	Aqua Lung Logo Decal
22-----	106337	Diaphragm
23-----	125924	Diaphragm Retainer
24-----	106843	Yoke
25-----	128631	Yoke Screw
26-----	103162	Yoke Retainer
27-----	124555	Dust Cap
28-----	NLA	Mistral Decal
29-----	820017P	O-ring (10 pk)
30-----	103174	DIN Adapter
31-----	103176	Handwheel
32-----	820072P	O-ring (20 pk)
33-----	106056	Handwheel Retainer
34-----	820094P	O-ring (20 pk)
35-----	107443	DIN Cap
36-----	820011P	O-ring (25 pk)
37-----	103133	Plug, MP Port, 3/8"
38-----	103137	Plug, HP Port, 7/16"

Part numbers in **BOLD ITALICS** are included in the service kit

Mistral Second Stage

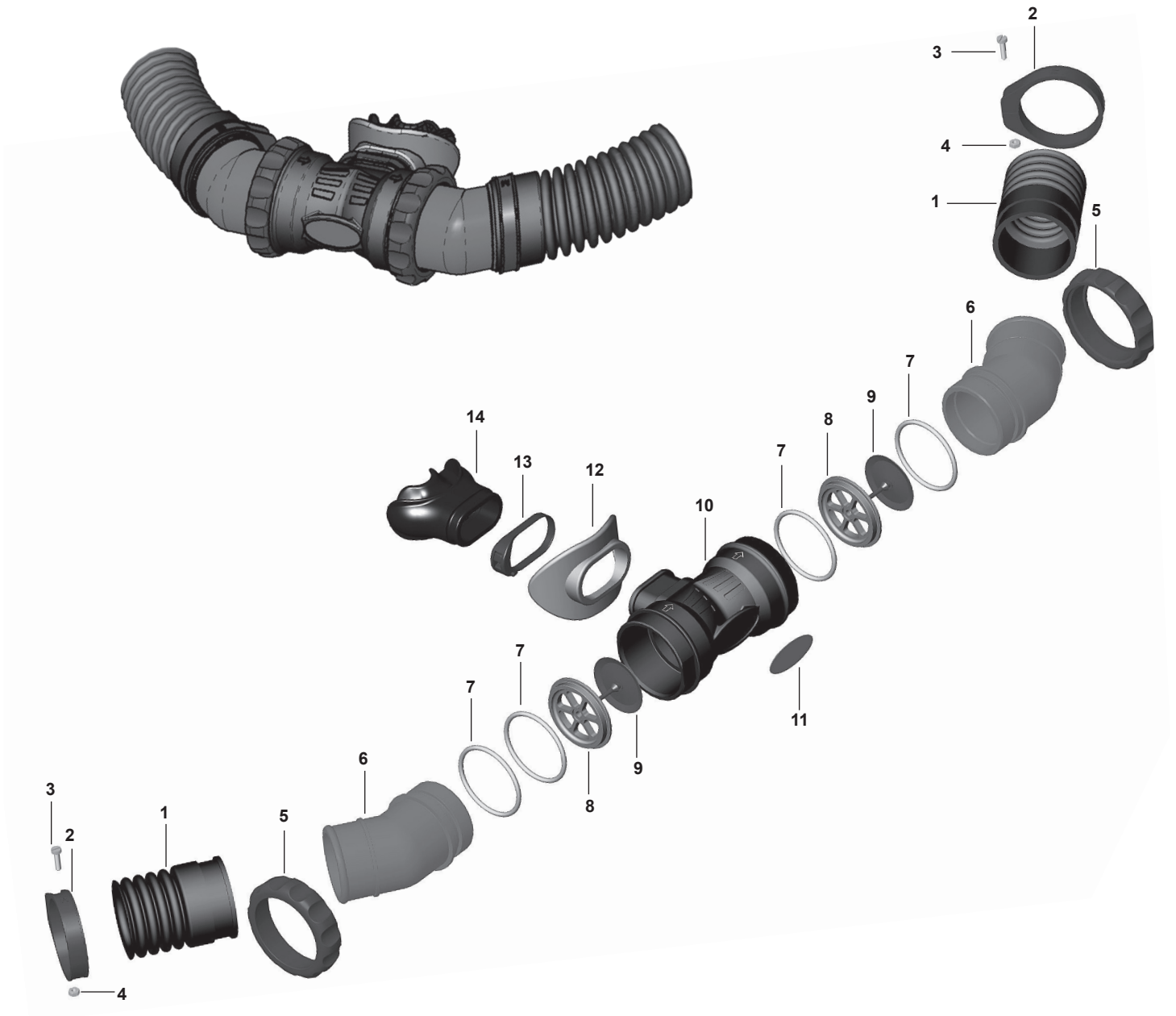
2006 discontinued

Key #	Part #	Description	Key #	Part #	Description
-----	900016	Overhaul Parts Kit, Entire Mistral	13	104127	Spring
1	125929	Screw, caphead (1-ea)	14	104122	Poppet
2	125935	Exhalation box	15	106738	MP seat
3	129174	Exhaust valve	16	100128	Crown orifice
4	124509	Sealing ring	17	820010P	O-ring (25 pk)
5	125705	Diaphragm	18	820015P	O-ring (10 pk)
6	125937	Inhalation box	19	104106	Inlet fitting
7	125928	Locknut (1-ea)	20	125930	Corrugated hose
8	102510	Locknut	21	125958	Clamping band "R"
9	104129	Washer	22	125975	Screw
10	125708	Lever	23	125976	Nut
11	125931	Valve insert	N/S	125932	Mistral MP hose (630 mm)
12	104134	Poppet bearing	-----	125934	Mistral MP hose (245 mm)

Part numbers in **BOLD ITALICS** are included in the service kit

Mistral Mouthpiece

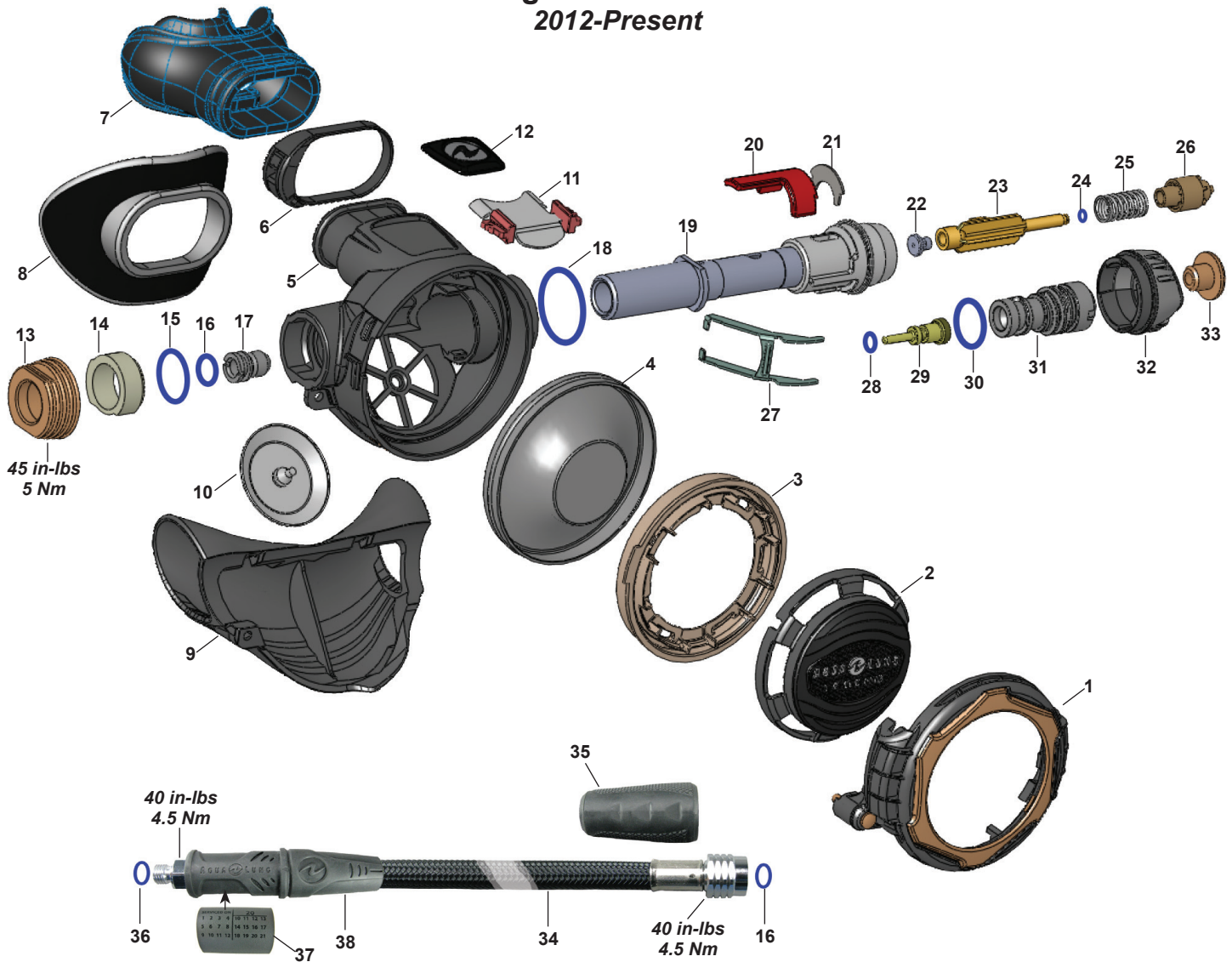
2006 discontinued



Key #	Part #	Description
-----	900016	Overhaul Parts Kit, Entire Mistral
1----	125930	Corrugated hose
2----	125939	Clamping band "M"
3----	125975	Screw
4----	125976	Nut
5----	125914	Connector ring
6----	125979	Connector, angled
7----	125915	O-ring
8----	125912	Mouthpiece valve support
9----	125925	Inhale-Exhale valve
10----	125918	Mouthpiece body
11----	125916	Mouthpiece decal
12----	109512	Lip shield
13----	129154	Mouthpiece clamp
14----	109438	Comfobite mouthpiece

Part numbers in **BOLD ITALICS** are included in the service kit

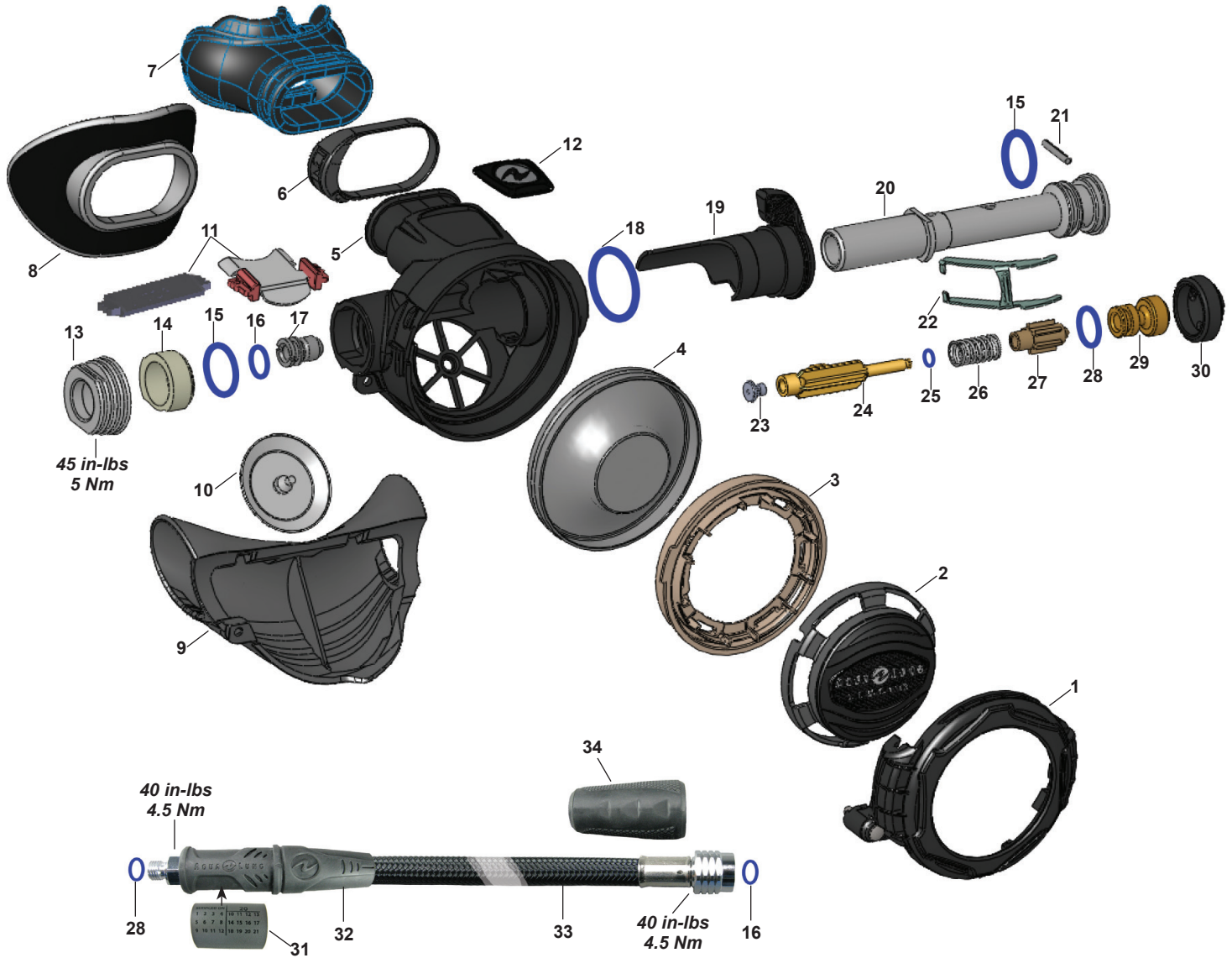
Legend LX Series 2012-Present



Key #	Part #	Description	Key #	Part #	Description
----	900022	Overhaul Parts Kit	16 ----	820010P	O-ring (25 pk)
----	129655	Legend LX, Second Stage Only	17	AP2033	Crown
----	129675	Legend LX Supreme, Second Stage Only	18 ----	AP1438P	O-ring (10 pk)
1	129676	Front Cover w/Locker, LX	19	129626	Valve Spindle, Comolded
---	129818	Front Cover w/Locker, LX, Twilight	20	129644	Venturi
---	129777	Front Cover w/Locker, LUX, Pnk/Gold	21	129637	Venturi Key
2	129684	Purge Cover, Black	22 ----	129638	MP Seat, Silicone
3	129656	Diaphragm Washer	23	AP2036	Shuttle Valve
4	129657	Diaphragm	24 ----	AP2041P	O-ring (10 pk)
5	129672	Case, LX, Coated	25	AP2021	Spring
----	129678	Case, LX Supreme, Coated	26	129784	Counter-balance Chamber
6	129154	Mouthpiece Clamp	27	129178	Lever
7	109438	Mouthpiece, ComfoBite	28 ----	820306	O-ring
---	104138	Mouthpiece, Standard	29	129632	Adjusting Screw
8	109512	Lip Shield, Supreme Model	30 ----	820014P	O-ring (25 pk)
9	129732	Exhaust Cover, Coated	31	129628	Cam
10	129642	Exhaust Valve, non-Supreme models	32	129634	Adjusting Knob
----	129174	Exhaust Valve, Supreme models	33	129633	Plug, LX, Chrome
11	129648	Baffle	----	129723	Plug, LUX, Pnk/Gold
12	129617	Decal, Legend	----	129749	Plug, LX Supreme, Satin
13	129631	Heat Exchanger, LX, Chrome	34	129807	MP Hose, Braided, 3/8"x 29", w/Protectors (2)
---	129726	Heat Exchanger, LUX, Pnk/Gold	35	129636	Hose Sleeve
---	129748	Heat Exchanger, LX Supreme, Satin	36 ----	820011P	O-ring (25 pk)
14	129652	Spacer	37 ----	128624	Service Date Sleeve
15 ----	820015P	O-ring (10 pk)	38	127859	Hose Protector, Black (for Braided hose)

Part numbers in **BOLD ITALICS** indicate standard overhaul replacement part

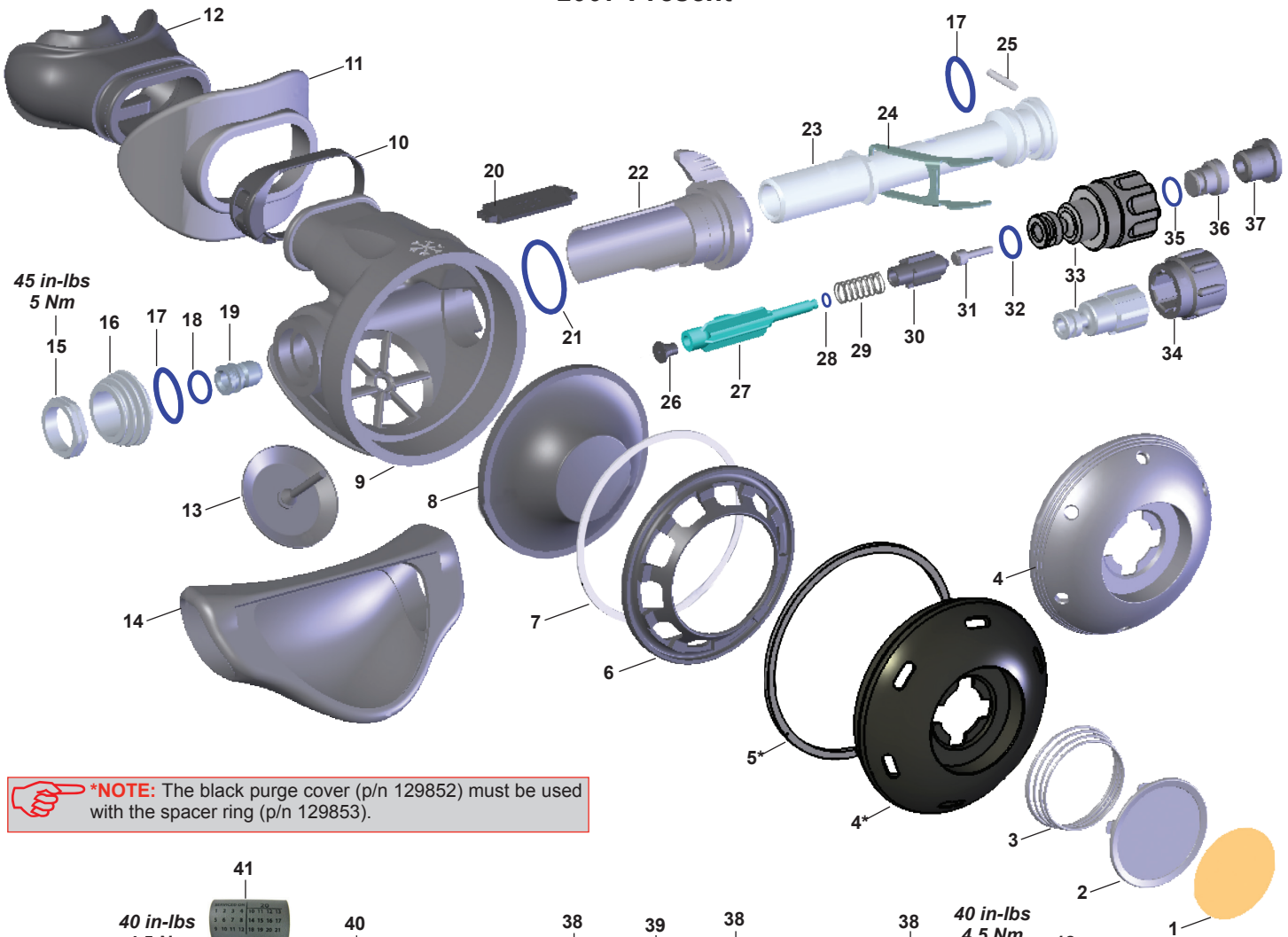
Legend Series 2012-Present



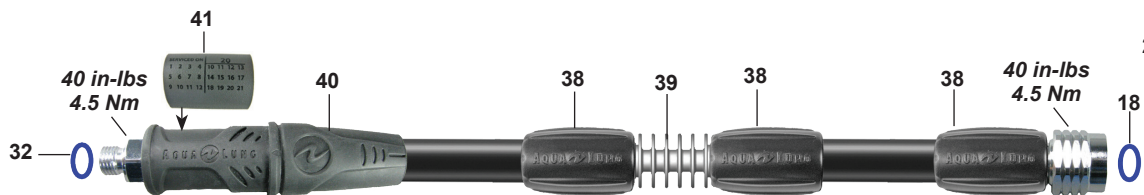
Key #	Part #	Description	Key #	Part #	Description
----	900022	Overhaul Parts Kit	14	129652	Spacer
----	129625	Legend, Second Stage Only	15	820015P	O-ring (10 pk)
----	129665	Legend Supreme, Second Stage Only	16	820010P	O-ring (25 pk)
1	129658	Front Cover w/Locker, Black	17	AP2033	Crown
2	129684	Purge Cover, Black	18	AP1438P	O-ring (10 pk)
----	129686	Purge Cover, Octopus, Yellow	19	129661	Venturi Lever
3	129656	Diaphragm Washer	----	129663	Venturi Lever, Octopus, Yellow
4	129657	Diaphragm	20	129146	Valve Body
5	129669	Case, Legend	21	AP1151	Pin
----	129677	Case, Legend Supreme, Octopus	22	129178	Lever
6	129154	Mouthpiece Clamp	23	129638	MP Seat
7	109438	Mouthpiece, ComfoBite	24	AP2036	Shuttle Valve
----	104138	Mouthpiece, Standard, Octopus	25	AP2041P	O-ring (10 pk)
8	109512	Lip Shield, Supreme Model	26	AP2021	Spring
9	129731	Exhaust Cover	27	129784	Counter-balance Chamber
10	129642	Exhaust Valve, Legend models	28	820011P	O-ring (25 pk)
----	129174	Exhaust Valve, Supreme, Octopus	29	129162	Adjustment Screw
11	129648	Baffle, Legend, Legend Supreme	30	129662	Plug
----	129184	Baffle, Octopus	31	128624	Service Date Sleeve
12	129617	Decal, Legend	32	127859	Hose Protector, Black (for Braided hose)
13	129631	Heat Exchanger, Legend, Chrome	33	129807	MP Hose, Braided, 3/8"x 29", Blk, w/Protectors (2)
----	129748	Heat Exchanger, Supreme, Octopus, Satin	----	129681	MP Hose, Braided, 3/8"x 39", Yellow, w/Protectors (2)
			34	129636	Hose Sleeve

Part numbers in **BOLD ITALICS** indicate standard overhaul replacement part

Legend LX Glacia 2007-Present



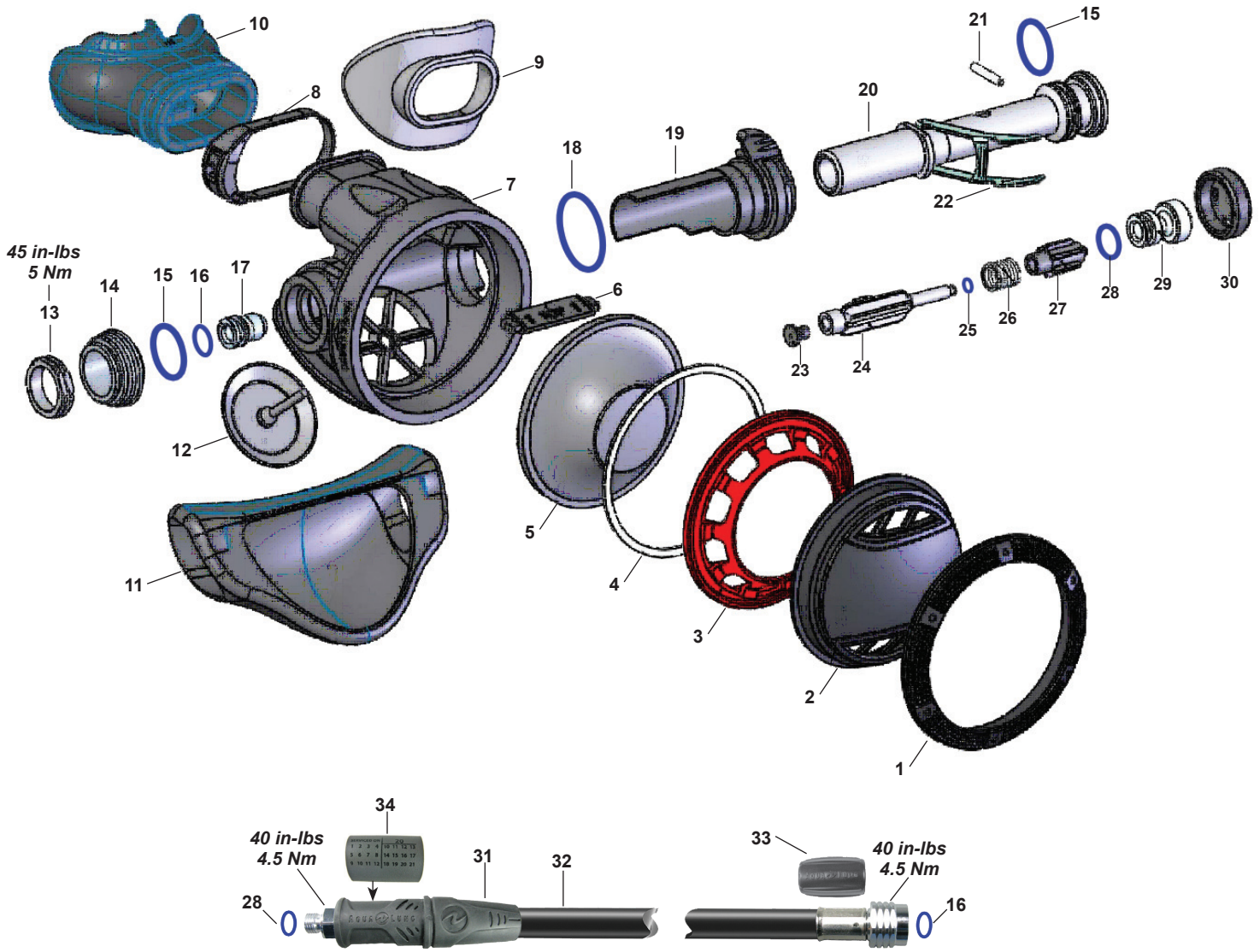
***NOTE:** The black purge cover (p/n 129852) must be used with the spacer ring (p/n 129853).



Key #	Part #	Description	Key #	Part #	Description
----	900012	Overhaul Parts Kit	19	AP2033	Crown
----	129885	Legend LX Glacia, Second Stage (2014)	20	129184	Baffle
----	129289	Legend LX Glacia, Second Stage Only	21	AP1438P	O-ring (10 pk)
1	129854	Decal, Purge Button, (2014)	22	129139	Venturi Lever
----	129282	Decal, Purge Button	23	129146	Valve Body
2	AP5805	Purge Button	24	129178	Lever
3	AP2020	Purge Spring	25	AP1151	Pin
4	129852	Purge Cover, Black (2014)	26	129638	MP Seat, Silicone
----	129281	Purge Cover, Dark Silver	27	AP2036	Shuttle Valve
5	129853	Spacer Ring, Aluminum (for Black Cover only)	28	AP2041P	O-ring (10 pk)
6	129195	Diaphragm Retainer	29	AP2021	Spring
7	129133	Thrust Washer	30	AP2038	Counterbalance Chamber
8	129150	Diaphragm	31	129129	Adjustment Pin
9	129188	Case, Supreme	32	820011P	O-ring (25 pk)
10	129154	Mouthpiece Clamp	33	129856	Adjusting Knob, Metallic (2014)
11	109512	Lip Shield	----	129147	Adjusting Knob
12	109438	Mouthpiece, ComfoBite	34	129130	Grip
13	129174	Exhaust Valve	35	820009P	O-ring (10 pk)
14	104102	Exhaust Tee	36	129135	Adjusting Screw
15	AP2031	Retaining Nut	37	129143	Plug, (2014) must be used w/metalic adjusting knob
16	129148	Heat Exchanger	----	129142	Plug
17	820015P	O-ring (10 pk)	38	129160	Hose Sleeve
18	820010P	O-ring (25 pk)	39	129343	MP Hose w/Heat X, 3/8"x 30"
			40	124570	Hose Protector, Black
			41	128624	Service Date Sleeve

Part numbers in **BOLD ITALICS** indicate standard overhaul replacement part

Titan LX Series 2009-Present



Key #	Part #	Description
-------	--------	-------------

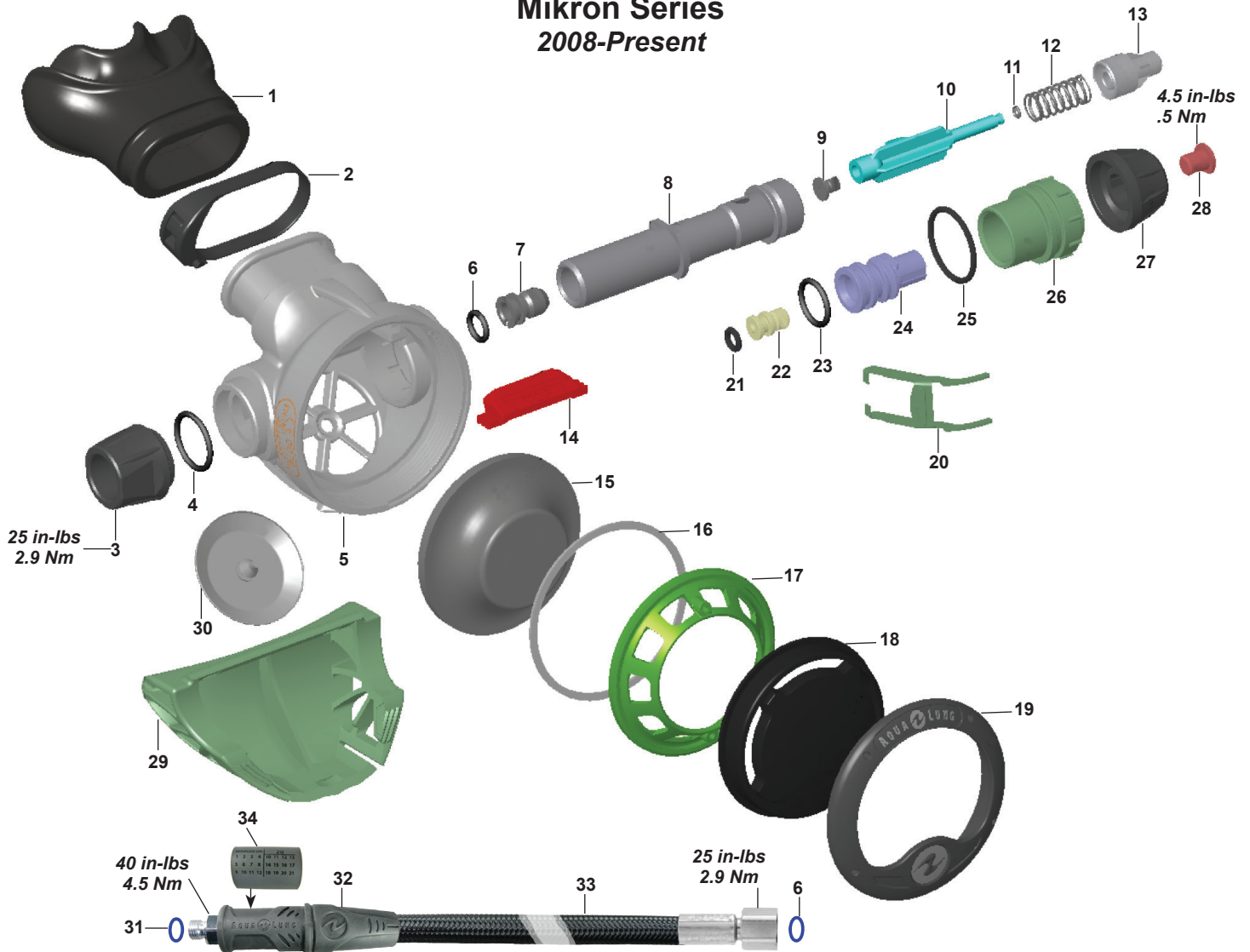
----	900012	Overhaul Parts Kit
----	128126	Titan LX, Second Stage Only
----	128128	Titan LX Supreme, Second Stage Only
1----	128102	Retaining Ring, Black
2----	128103	Purge Cover, LX
----	128105	Purge Cover, LX Supreme
----	128107	Purge Cover, LX Octo, Yellow
3----	128104	Diaphragm Retainer, LX, Red
----	128108	Diaphragm Retainer, LX Supreme, Blue
----	129195	Diaphragm Retainer, LX Octopus, Black
4----	129133	Thrust Washer
5----	129150	Diaphragm
----	129184	Baffle
7----	129164	Case, LX
----	129188	Case, LX Supreme
8----	129154	Mouthpiece Clamp
9----	109512	Lip Shield, LX Supreme
10----	109438	Mouthpiece, ComfoBite
----	104138	Mouthpiece, Standard
11----	104102	Exhaust Tee
12----	129174	Exhaust Valve
13----	AP2031	Retaining Nut

Key #	Part #	Description
-------	--------	-------------

14----	129148	Heat Exchanger
15----	820015P	O-ring (10 pk)
16----	820010P	O-ring (25 pk)
17----	AP2033	Crown
18----	AP1438P	O-ring (10 pk)
19----	129139	Venturi Lever, Black
20----	129146	Valve Body
21----	AP1151	Pin
22----	129178	Lever
23----	129638	MP Seat, Silicone
24----	AP2036	Shuttle Valve
25----	AP2041P	O-ring (10 pk)
26----	AP2021	Spring
27----	AP2038	Counterbalance Chamber
28----	820011P	O-ring (25 pk)
29----	129162	Adjustment Screw
30----	129161	Plug
31----	124570	Hose Protector, Black
----	124573	Hose Protector, Yellow
32----	APF124563	MP Hose, 3/8" x 30", w/Protector
----	APF124566	MP Hose, 3/8" x 39", Yellow, w/ Protector
33----	129160	Hose Sleeve
34----	128624	Service Date Sleeve

Part numbers in **BOLD ITALICS** indicate standard overhaul replacement part

Mikron Series 2008-Present

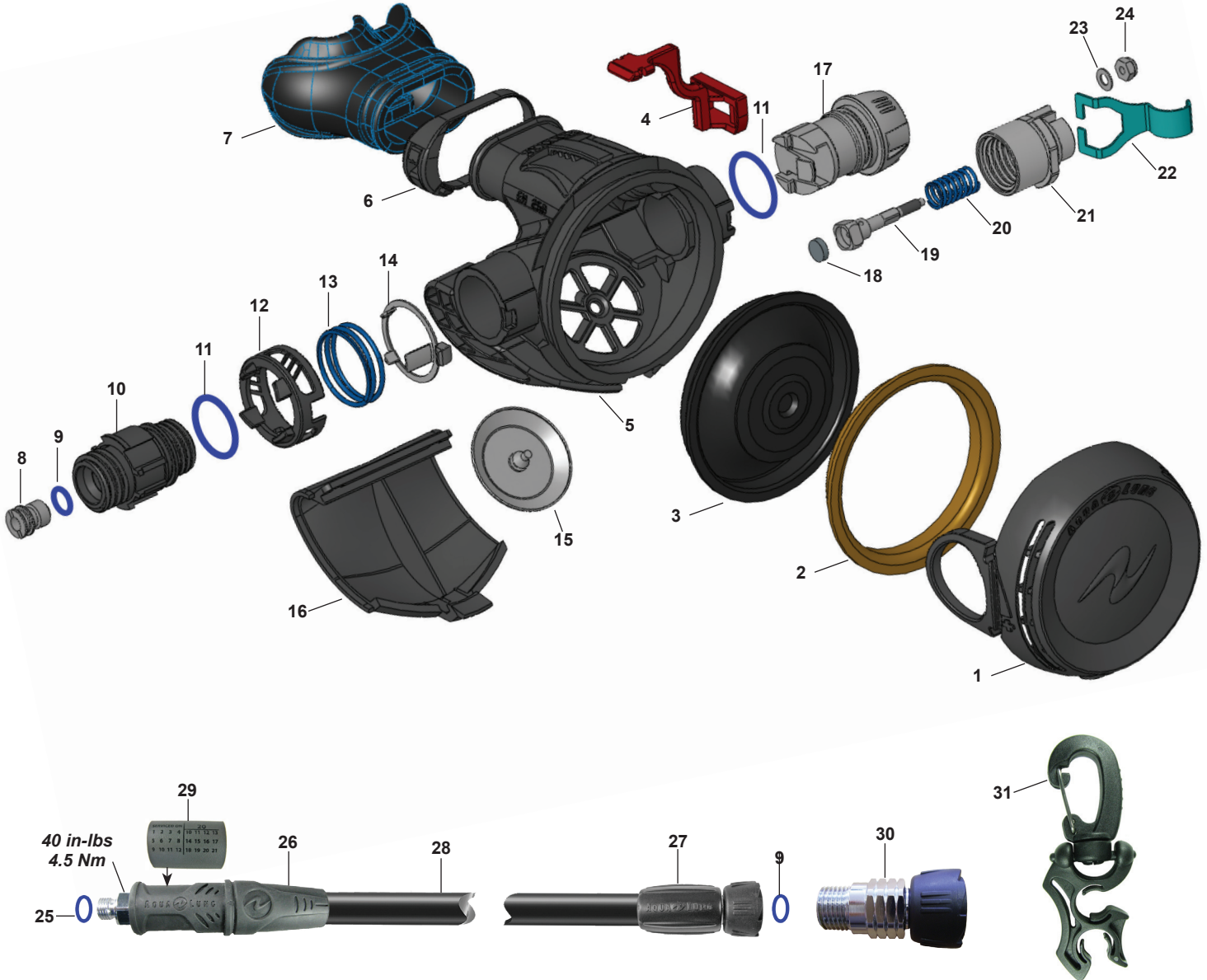


Key #	Part #	Description
-----	900012	Overhaul Parts Kit
-----	127965	Mikron, Second Stage, Blk/Blue
-----	127835A	Mikron, Second Stage, Blk/Pnk
1----	109438	Mouthpiece, Comfobite
-----	127826	Mouthpiece, Comfobite, Small
-----	104138	Mouthpiece, Standard
2----	129154	Mouthpiece Clamp
3----	127818	Insert Screw
4----	820015P	O-ring (10 pk)
5----	127842	Case, Mikron
6----	820010P	O-ring (25 pk)
7----	AP2033	Crown
8----	127817	Valve Body
9----	129638	MP Seat, Silicone
10----	AP2036	Shuttle Valve
11----	AP2041P	O-ring (10 pk)
12----	AP2021	Spring
13----	127607	Counterbalance Chamber
14----	127827	Baffle
15----	127816	Diaphragm
16----	127815	Washer, Diaphragm
17----	127814	Retainer, Diaphragm, Black
-----	127887	Retainer, Diaphragm, Blue
-----	127832	Retainer, Diaphragm, Red

Key #	Part #	Description
18----	127889	Purge Cover, Mikron, Black/Blue
-----	127871	Purge Cover, Mikron, Black/Green
-----	127836	Purge Cover, Mikron, Black/Red
-----	127881	Purge Cover, Mikron, Black/Pink
-----	127838	Purge Cover, Mikron, Vanilla
-----	127848	Purge Cover, Mikron, Yellow
19----	127843	Retaining Ring, Mikron
20----	127828	Lever
21----	820007P	O-ring (20 pk)
22----	127823	Adjustment Screw
23----	820013P	O-ring (10 pk)
24----	127822	Cam, Mikron
25----	820018P	O-ring (20 pk)
26----	127819	Screw, Valve Body
27----	127821	Adjusting Knob
28----	127877	Plug, Mikron, Silver
-----	127868	Plug, Mikron, Green
-----	127824	Plug, Mikron, Red
-----	127833	Plug, Mikron, Vanilla
-----	127846	Plug, Mikron, Yellow
29----	127825	Exhaust Tee
30----	129174	Exhaust Valve
31----	820011P	O-ring (25 pk)
32----	127859	Hose Protector, Black (for Braided hose)
33----	129861	MP Hose, Aquaflex 3/8" x 30" Black w/Protector
-----	129862	MP Hose, Aquaflex 3/8" x 39" Yellow w/Protector
34----	128624	Service Date Sleeve

Part numbers in **BOLD ITALICS** indicate standard overhaul replacement part

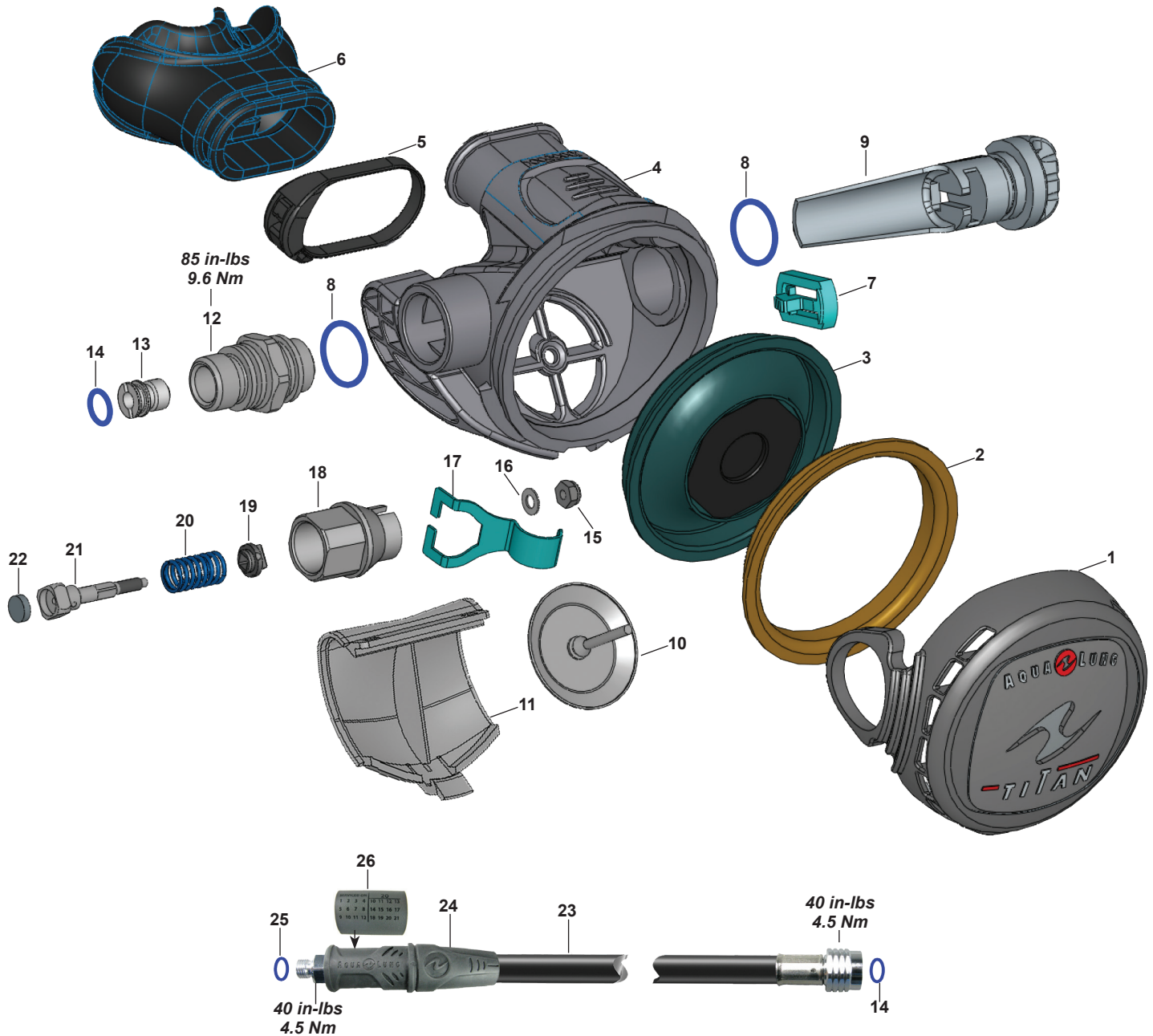
Titan/Calypso QC Series 2010-Present



Key #	Part #	Description	Key #	Part #	Description
-----	900010	Overhaul Parts Kit	14	128609	Ring Locker
-----	128540	Second Stage, Titan	15	129174	Exhaust Valve
-----	128550	Second Stage, Calypso	16	128613	Exhaust Valve Cover
1	128615	Front Cover, Titan	17	128611	Venturi Knob
-----	128616	Front Cover, Calypso	18	106738	MP Seat
-----	128628	Front Cover, Calypso O2/Titan O2	19	104122	Poppet
-----	128618	Front Cover, Octo	20	125737	Spring
2	124509	Diaphragm Washer	21	128606	Valve Insert, Reversible
3	128610	Diaphragm	22	104108	Lever
4	128612	Venturi	23	104129	Washer
5	128602	Case	24	102510	Locknut
6	129154	Mouthpiece Clamp	25	820011P	O-ring (25 pk)
7	109438	Mouthpiece, ComfoBite	26	124570	Hose Protector, Blk
-----	104138	Mouthpiece, Standard	-----	124573	Hose Protector, Yellow
8	128621	Crown	27	129160	Hose Sleeve
9	820010P	O-ring (25 pk)	28	128619	MP Hose, Quick Connect, 3/8" x 30"
10	128604	Crown Holder	-----	128620	MP Hose, Quick Connect, 3/8" x 39"
11	820017P	O-ring (10 pk)	29	128624	Service Date Sleeve
12	128603	Hose Locker	30	128595	Swivel Hose Adapter
13	128605	Spring	31	216047	Hose Holder

Part numbers in **BOLD ITALICS** indicate standard overhaul replacement part

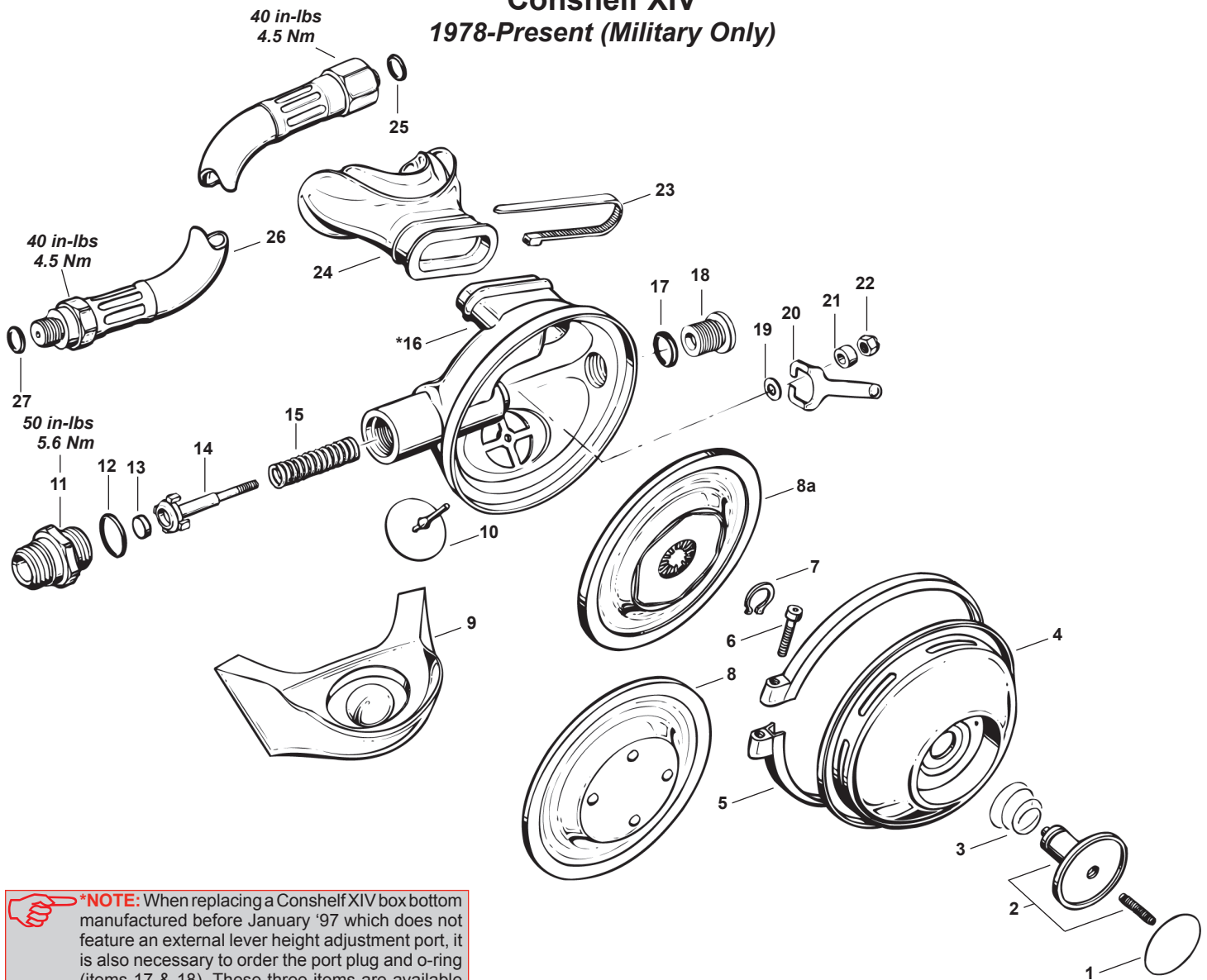
Titan/Calypso Classic Series 2004-Present



Key #	Part #	Description	Key #	Part #	Description
-----	900010	Overhaul Parts Kit	12 ----	104106	Inlet Fitting
1 ----	125732	Front Cover, Titan	13 ----	100128	Crown Orifice
-----	125719	Front Cover, Calypso	14 ----	820010P	O-ring (25 pk)
-----	125734	Front Cover, Calypso, Green, O ₂	15 ----	102510	Locknut
-----	125724	Front Cover, Octopus	16 ----	104129	Washer
2 ----	124509	Diaphragm Washer	17 ----	125708	Lever
3 ----	125705	Diaphragm	18 ----	125709	Valve Insert
4 ----	125721	Box Bottom	19 ----	104134	Poppet Bearing
5 ----	129154	Mouthpiece Clamp	20 ----	104127	Spring
6 ----	109438	Mouthpiece, Comfobite	21 ----	104122	Poppet
-----	104138	Mouthpiece, Octopus	22 ----	106738	MP Seat
7 ----	125707	Retaining Clip, Venturi Switch	23 ----	APF124563	MP Hose, Black, 3/8" x 30", w/ Protector
8 ----	820015P	O-ring (10 pk)	-----	APF124566	MP Hose, Octo, Yellow, 3/8" x 39", w/ Protector-
9 ----	125706	Venturi Switch	24 ----	124570	Hose Protector, Black
10 ----	129174	Exhaust Valve	-----	124573	Hose Protector, Yellow
11 ----	125702	Exhaust Valve Cover	25 ----	820011P	O-ring (25 pk)
			26 ----	128624	Service Date Sleeve

Part numbers in **BOLD ITALICS** indicate standard overhaul replacement part

Conshelf XIV 1978-Present (Military Only)



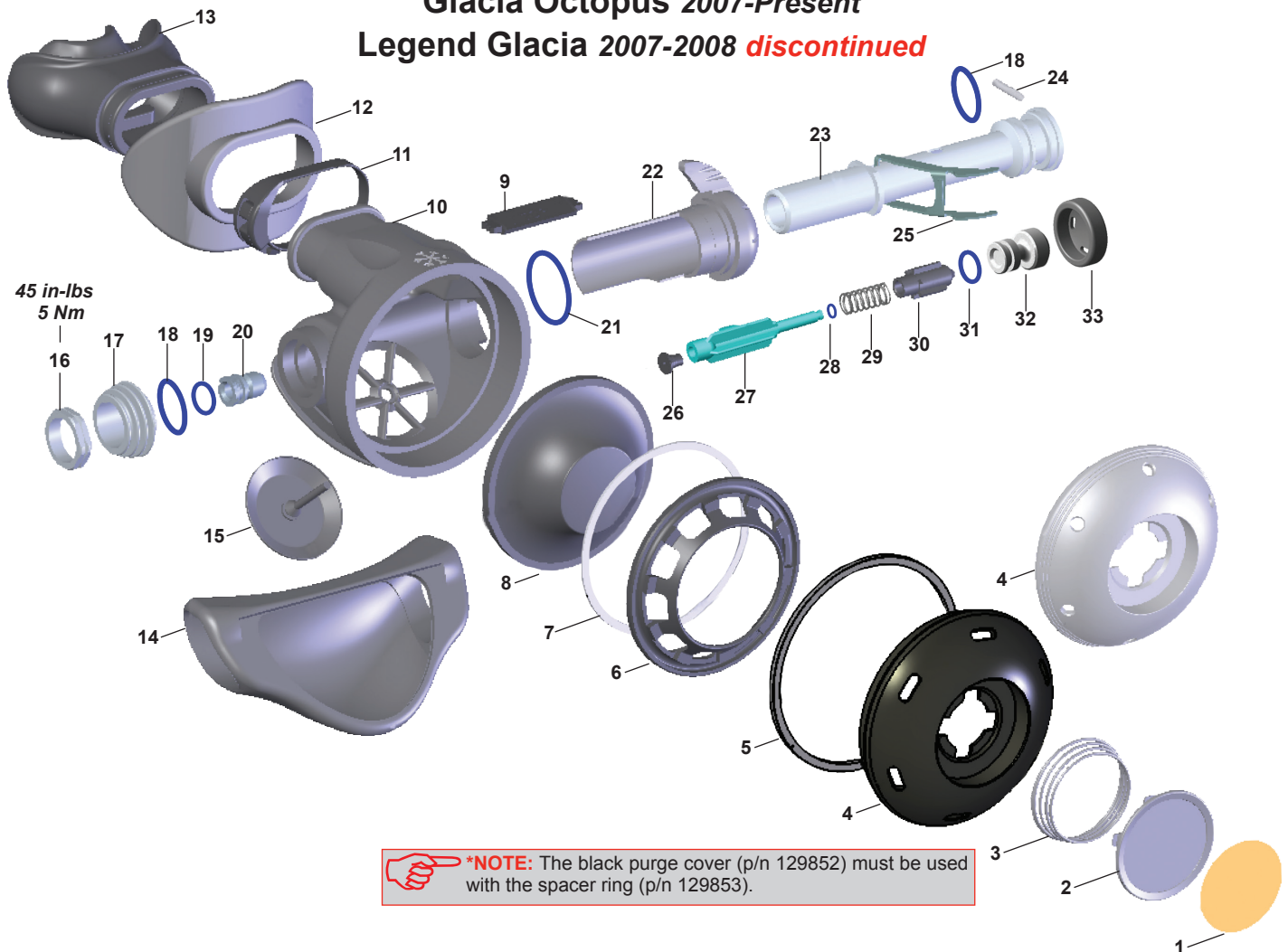
***NOTE:** When replacing a Conshelf XIV box bottom manufactured before January '97 which does not feature an external lever height adjustment port, it is also necessary to order the port plug and o-ring (items 17 & 18). These three items are available in kit form, PN 108535.

Key #	Part #	Description
-----	900013	Overhaul Parts Kit
-----	108530	Conshelf XIV Second Stage
-----	108538	Conshelf XIV Supreme Second Stage
1 ----	108185	Decal, Conshelf XIV
2 ----	103706	Purge Button w/ Adjustment Screw
3 ----	102708	Purge Spring
4 ----	107001	Box Top
5 ----	390147	Box Top Clamp
6 ----	834023	Clamp Screw
7 ----	860037	Retaining Ring
8 ----	103732	Demand Diaphragm (U.S. Military Only)
9 ----	101919	Exhaust Tee
10 ----	105139	Exhaust Valve
11 ----	100444	Inlet Fitting
12 ----	820014P	O-ring (25 pk)
13 ----	108510	MP Seat
14 ----	104903	Poppet
15 ----	108504	Spring (Standard)

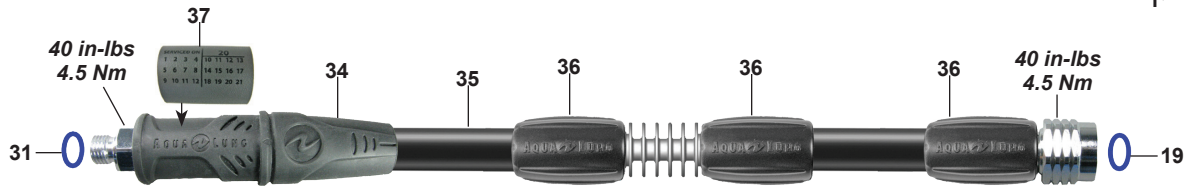
Key #	Part #	Description
-----	108514	Spring (Octopus)
16 ----	108122	Box Bottom
-----	108535	Box Bottom Kit (includes 16, 17 & 18)
17 ----	957025P	O-ring (10 pk)
18 ----	102004	Plug
19 ----	107607	Washer
20 ----	107605	Lever
21 ----	107606	Spacer
22 ----	102510	Locknut
23 ----	104940	Clamp, Clear
-----	104913	Clamp, Black
24 ----	105884	Comfo Bite Mouthpiece, Clear
-----	105885	Comfo Bite Mouthpiece, Black
-----	105879	Standard Mouthpiece, Black
25 ----	820010P	O-ring (25 pk)
26 ----	090015	MP Hose Assy, 3/8" x 30"
27 ----	820011P	O-ring (25 pk)

Part numbers in **BOLD ITALICS** indicate standard overhaul replacement part

Glacia Octopus 2007-Present
Legend Glacia 2007-2008 *discontinued*



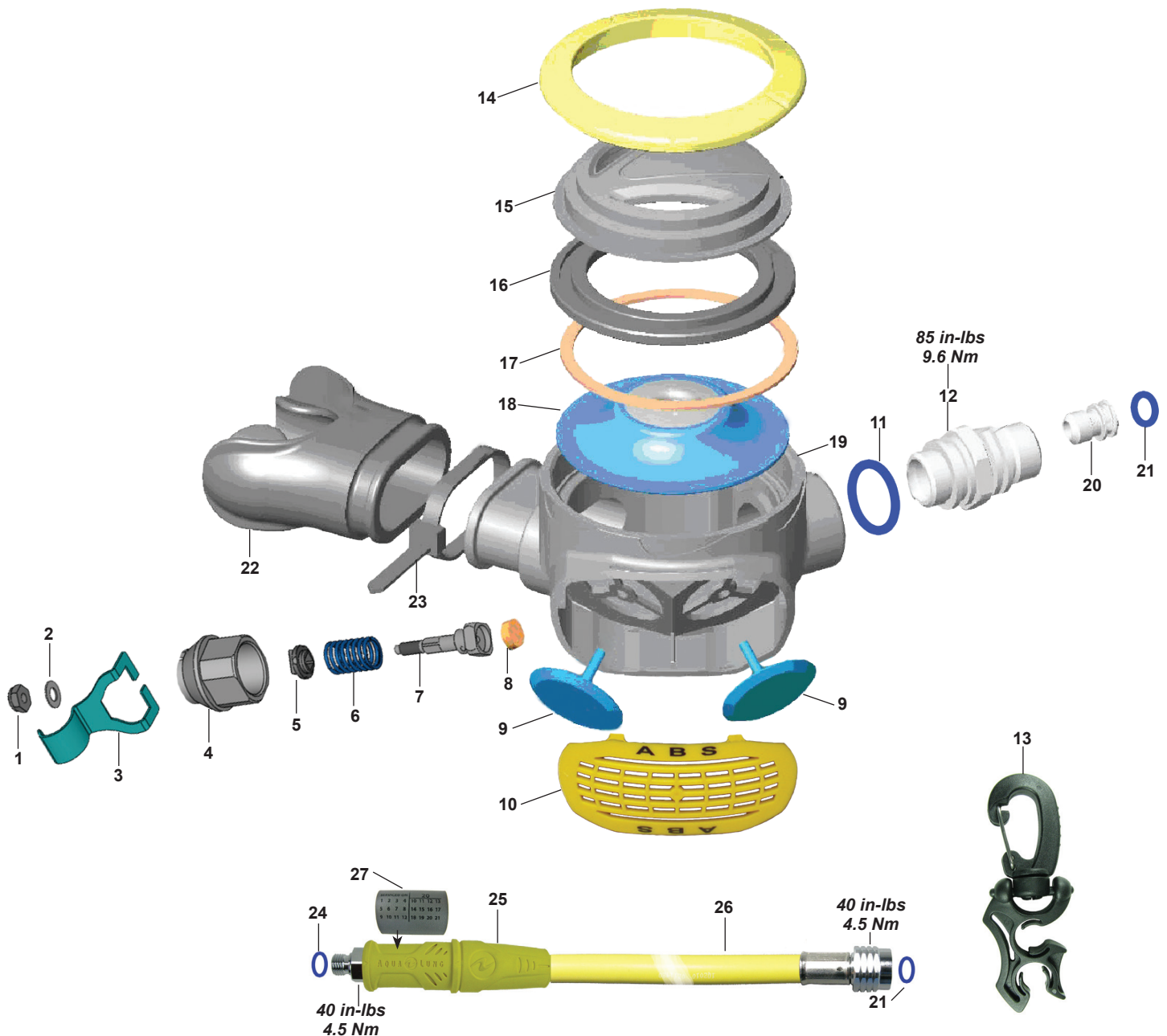
***NOTE:** The black purge cover (p/n 129852) must be used with the spacer ring (p/n 129853).



Key #	Part #	Description	Key #	Part #	Description
-----	900012	Overhaul Parts Kit	19 ----	820010P	O-ring (25 pk)
1	129344	Decal, Purge Button, Glacia	20	AP2033	Crown
-----	129354	Decal, Purge Button, Glacia Octo	21 ----	AP1438P	O-ring (10 pk)
2	AP5805	Purge Button	22	129183	Venturi Lever, Yellow
3	AP2020	Spring	-----	129139	Venturi Lever, Black
4	129852	Purge Cover, Black	23	129146	Valve Body
-----	129351	Purge Cover, Silver	24	AP1151	Pin
5	129853	Spacer Ring, Aluminum (for Black Cover only)	25	129178	Lever
6	129195	Diaphragm Retainer	26 ----	129638	MP Seat, Silicone
7	129133	Thrust Washer	27	AP2036	Shuttle Valve
8	129150	Diaphragm	28 ----	AP2041P	O-ring (10 pk)
9	129184	Baffle	29	AP2021	Spring
10	129188	Box Bottom	30	AP2038	Counterbalance Chamber
11	129154	Mouthpiece Clamp	31 ----	820011P	O-ring (25 pk)
12	109512	Lip Shield	32	129162	Adjustment Screw
13	109438	Mouthpiece, ComfoBite	33	129161	Plug
-----	104138	Mouthpiece, Standard	34	124570	Hose Protector, Black
14	104102	Exhaust Tee	-----	124573	Hose Protector, Yellow
15	129174	Exhaust Valve	35	129343	MP Hose w/Heat X, 3/8x30
16	AP2031	Retaining Nut	-----	129352	MP Hose w/Heat X, Yellow 3/8x36
17	129148	Heat Exchanger	36	129160	Hose Sleeve, Black
18 ----	820015P	O-ring (10 pk)	-----	129168	Hose Sleeve, Yellow
			37	128624	Service Date Sleeve

Part numbers in **BOLD ITALICS** indicate standard overhaul replacement part

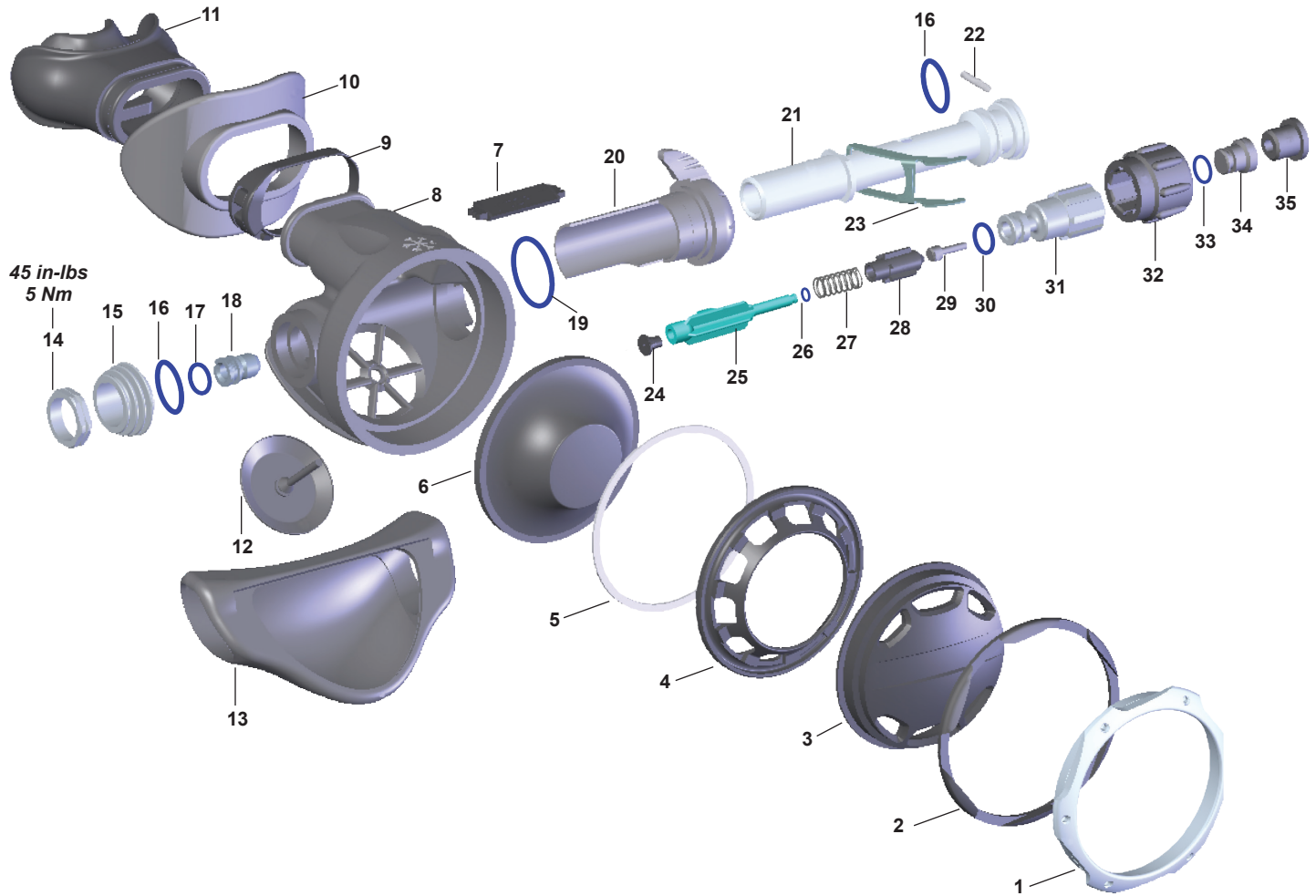
ABS Octopus 2004-Present




Key #	Part #	Description	Key #	Part #	Description
	900010	Overhaul Parts Kit	14	116922	Cover Ring
1	102510	Locknut	15	116929	Purge Cover
2	104129	Washer	16	116923	Diaphragm Retainer
3	116928	Lever	17	107818	Diaphragm Washer
4	116926	Valve Body	18	116930	Diaphragm
5	104134	Poppet Bearing	19	116927	Box Bottom
6	104127	Spring	20	100128	Crown Orifice
7	104122	Poppet	21	820010P	O-ring (25 pk)
8	106738	MP Seat	22	104138	Mouthpiece, Octopus
9	100122	Exhaust Valves	23	104913	Clamp
10	116925	Exhaust Grid	24	820011P	O-ring (25 pk)
11	820015P	O-ring (10 pk)	25	124573	Hose Protector, Yellow
12	104106	Inlet Fitting	26	APF124566	MP Hose, Octopus, Yellow, 3/8" x39" w/Protector
13	216047	Hose Retaining Clip	27	128624	Service Date Sleeve

Part numbers in **BOLD ITALICS** indicate standard overhaul replacement part

Legend LX Series
2002-2011 *discontinued*



***NOTE:** The purge cover (p/n 129172) and metal badge (p/n 129187) are no longer available. If either part needs to be replaced, you can substitute with Legend purge cover (p/n 129236).

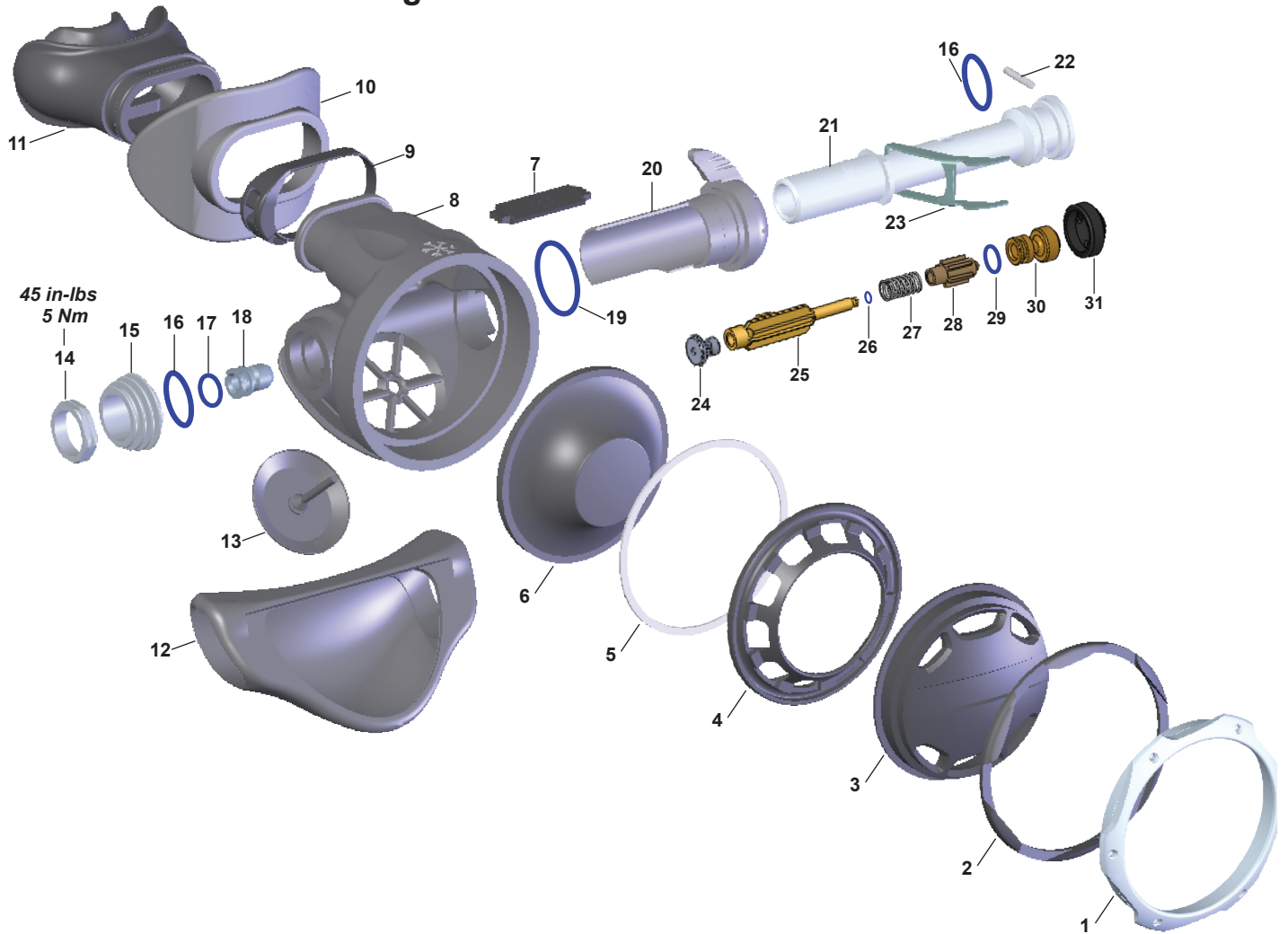


Key #	Part #	Description
----	900012	Overhaul Parts Kit
1----	129171	Retaining Ring, Silver
2----	129173	Mating Ring, Rubber
3----	129236	Purge Cover, Legend, Black
4----	129195	Diaphragm Retainer
5----	129133	Thrust Washer
6----	129150	Diaphragm
7----	129184	Baffle
8----	129164	Case, LX
----	129188	Case, LX Supreme
9----	129154	Mouthpiece Clamp
10----	109512	Lip Shield, Supreme Model
11----	109438	Mouthpiece, ComfoBite
----	104138	Mouthpiece, Standard
12----	129174	Exhaust Valve
13----	104102	Exhaust Cover
14----	AP2031	Retaining Nut
15----	129148	Heat Exchanger
16----	820015P	O-ring (10 pk)


Key #	Part #	Description
17----	820010P	O-ring (25 pk)
18----	AP2033	Crown
19----	AP1438P	O-ring (10 pk)
20----	129138	Venturi Lever
21----	129146	Valve Body
22----	AP1151	Pin
23----	129178	Lever
24----	129638	MP Seat, Silicone
25----	AP2036	Shuttle Valve
26----	AP2041P	O-ring (10 pk)
27----	AP2021	Spring
28----	AP2038	Counterbalance Chamber
29----	129129	Adjustment Pin
30----	820011P	O-ring (25 pk)
31----	129147	Adjustment Knob
32----	129130	Grip
33----	820009P	O-ring (10 pk)
34----	129135	Adjusting Screw
35----	129142	Plug

Part numbers in **BOLD ITALICS** indicate standard overhaul replacement part


Titan LX Series 2001-2008 *discontinued*
Legend Series 2002-2011 *discontinued*



***NOTE:** The diaphragm retainer and purge cover for the pre-2009 Titan LX 2nd stage are no longer available. If the diaphragm retainer and/or purge cover become damaged or lost, you will need to replace both parts with the new Titan LX purge cover (p/n 128103) and diaphragm retainer (p/n 129195). "DO NOT" use the old diaphragm retainer with the new purge cover. The old/new purge cover retaining ring can be used with either purge cover.



***NOTE:** The purge cover (p/n 129172) and metal badge (p/n 129187) are no longer available. If either part needs to be replaced, you can substitute with Legend purge cover (p/n 129236).

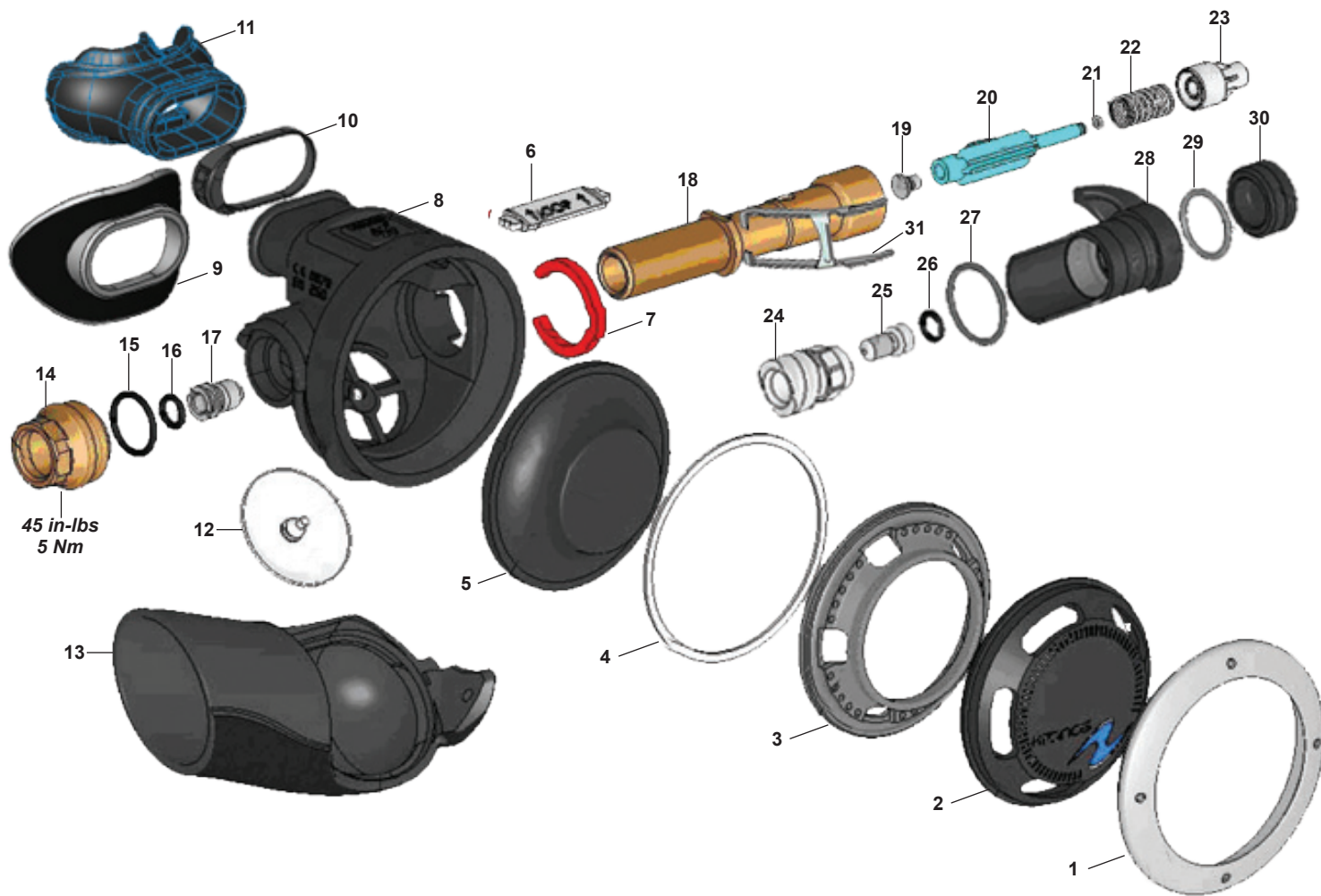


Key #	Part #	Description
-----	900012	Overhaul Parts Kit
1----	129171	Retaining Ring, Silver (Legend)
2----	129173	Mating Ring, Rubber (Legend)
3----	129236	Purge Cover, Black (Legend)
-----	129237	Purge Cover, Yellow (Legend Octo)
4----	129195	Diaphragm Retainer, Black
5----	129133	Thrust Washer
6----	129150	Diaphragm
7----	129184	Baffle
8----	129164	Case, Legend, Titan LX, Octopus
-----	129188	Case, Supreme,
9----	129154	Mouthpiece Clamp
10----	109512	Lip Shield, Supreme Model
11----	109438	Mouthpiece, ComfoBite
-----	104138	Mouthpiece, Standard
12----	104102	Exhaust Cover
13----	129174	Exhaust Valve

Key #	Part #	Description
14----	AP2031	Retaining Nut
15----	129148	Heat Exchanger
16----	820015P	O-ring (10 pk)
17----	820010P	O-ring (25 pk)
18----	AP2033	Crown
19----	AP1438P	O-ring (10 pk)
20----	129139	Venturi Lever, Black
21----	129146	Valve Body
22----	AP1151	Pin
23----	129178	Lever
24----	129638	MP Seat, Silicone
25----	AP2036	Shuttle Valve
26----	AP2041P	O-ring (10 pk)
27----	AP2021	Spring
28----	AP2038	Counterbalance Chamber
29----	820011P	O-ring (25 pk)
30----	129162	Adjustment Screw
31----	129161	Plug

Part numbers in **BOLD ITALICS** indicate standard overhaul replacement part

Kronos Series 2007-2011 *discontinued*



45 in-lbs
5 Nm

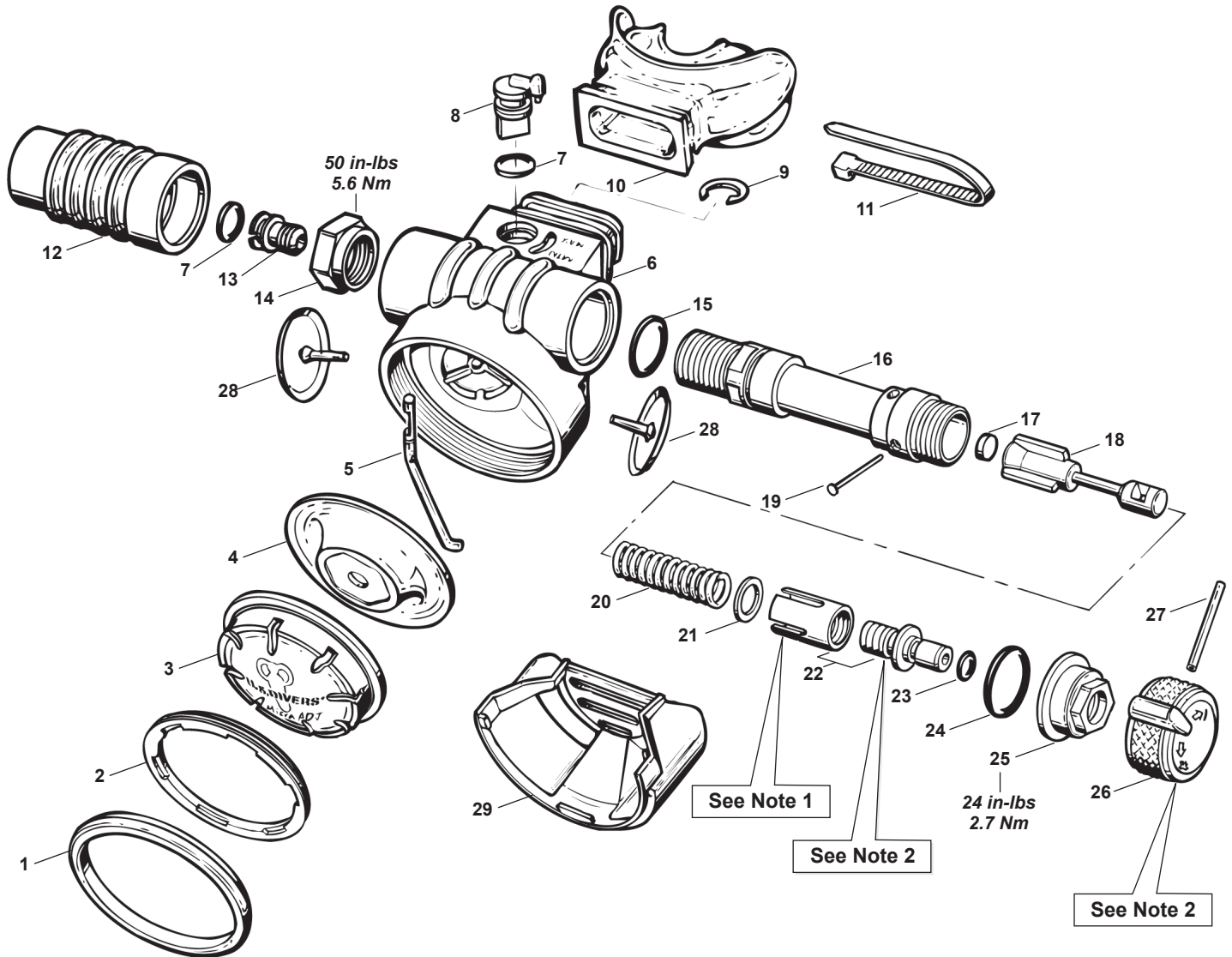
Key #	Part #	Description
-----	900012	Overhaul Parts Kit
1----	127602	Retaining Ring, Kronos
-----	127621	Retaining Ring, Kronos Octo
2----	127614	Purge Cover, Kronos
-----	127615	Purge Cover, Kronos Supreme
-----	127616	Purge Cover, Kronos Octo
3----	127625	Diaphragm Retainer
4----	129133	Washer
5----	129150	Diaphragm
6----	129184	Baffle
7----	127612	Clip
8----	NLA	Case, Kronos
9----	109512	Lip Shield, Supreme Model
10----	129154	Mouthpiece Clamp
11----	109438	Mouthpiece, ComfoBite
-----	104138	Mouthpiece, Standard
12----	129174	Exhaust Valve
13----	127622	Exhaust Tee, Kronos

Key #	Part #	Description
14----	127606	Heat Exchanger
15----	820015P	O-ring (10 pk)
16----	820010P	O-ring (25 pk)
17----	AP2033	Crown
18----	127605	Valve Body
19----	129638	MP Seat, Silicone
20----	AP2036	Shuttle Valve
21----	AP2041P	O-ring (10 pk)
22----	AP2021	Spring
23----	127607	Counterbalance Chamber
24----	127609	Cam
25----	127608	Adjusting Screw
26----	820009P	O-ring (10 pk)
27----	820018P	O-ring (20 pk)
28----	127626	Venturi Lever
29----	820016P	O-ring (10 pk)
30----	127624	Plug
31----	129178	Lever
32----	820011P	O-ring (25 pk)

Part numbers in **BOLD ITALICS** indicate standard overhaul replacement part

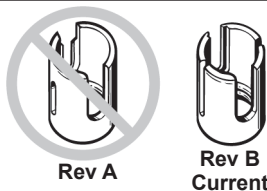
Micra ADJ

1997-2007 *discontinued*



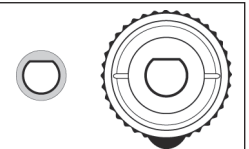
NOTE 1:

The Lever Retaining Sleeve (Key #22) was revised in 1997. Be sure to correctly identify the part before reinstalling, and replace with new if found to be a Revision A part. (Refer to Technical Bulletin No. 10, dated August 15, 1997.)



NOTE 2:

The Adjustment Screw (Key #22) and Knob (Key #26) have undergone a change revision, and are now keyed for easier alignment. It will be necessary to order both parts when replacing one which is not the current revision.



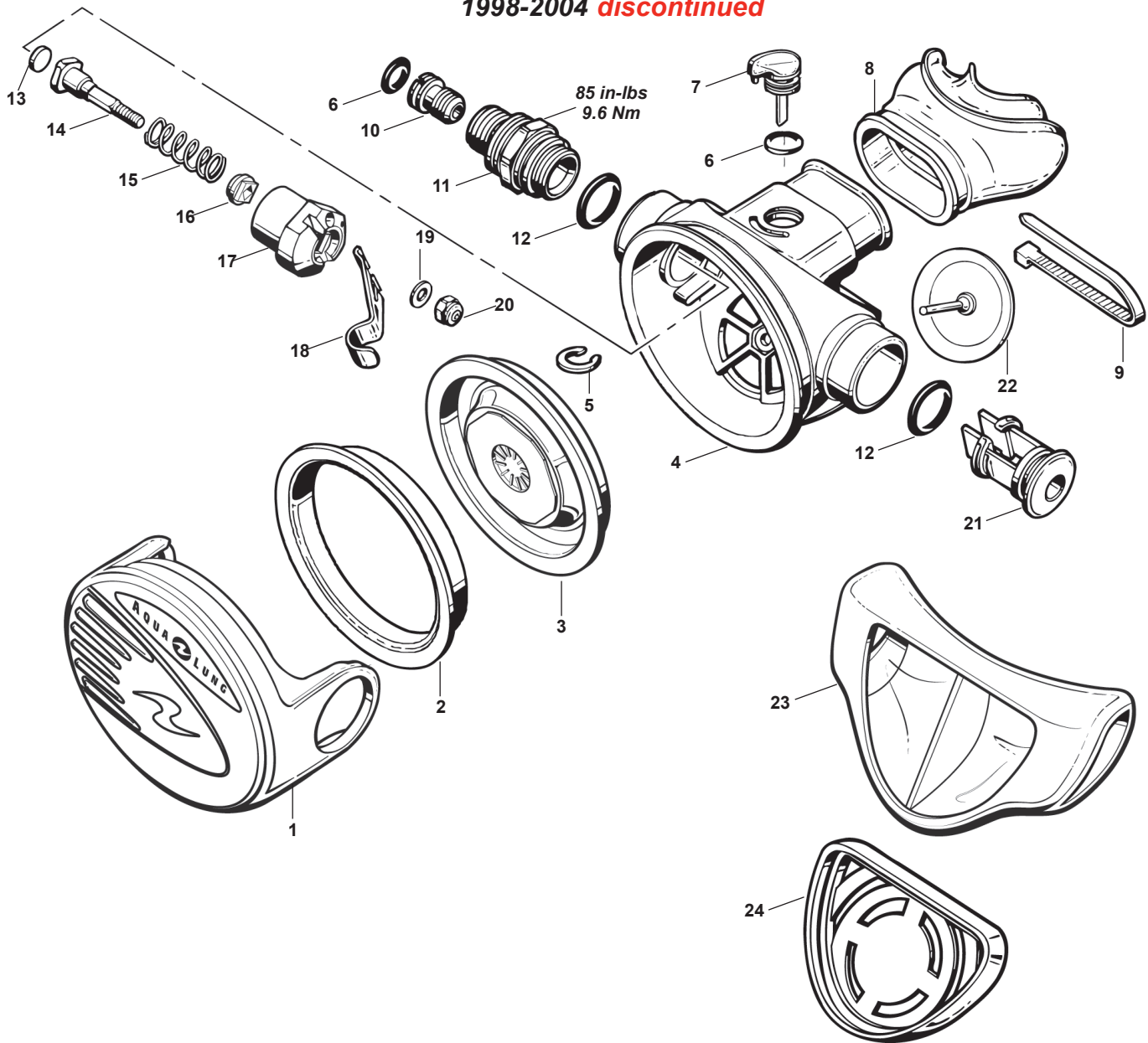
Key #	Part #	Description
-----	900003	Overhaul Parts Kit
1 ----	100862	Color Ring - Silver
2 ----	100119	Retaining Ring
3 ----	NLA	Purge Cover
4 ----	100181	Demand Diaphragm
5 ----	100856	Leve
6 ----	100143	Box Bottom
7 ----	820010P	O-ring (25 pk)
8 ----	100108	Vane Adjustment Switch
9 ----	860137	C-Clip
10 ----	105838	Mouthpiece, Comfo Snap-on, Standard
-----	105848	Mouthpiece, Comfo Snap-on, Small
-----	105831	Mouthpiece, Snap-on, Octopus
11 ----	104913	Clamp, Black
12 ----	100103	Hose Protector, Black
13 ----	100128	Adjustable Crown

Key #	Part #	Description
14 ----	100136	Hex Nut, 3/4"
15 ----	820314	O-ring
16 ----	100845	Valve Body
17 ----	108510	MP Seat
18 ----	100843	Poppet
19 ----	100132	Pin
20 ----	108515	Spring
21 ----	100853	Washer
22 ----	100888	Lever Retaining Sleeve & Adjustment Screw
23 ----	820008	O-ring
24 ----	820016P	O-ring (10 pk)
25 ----	100841	Cap Nut
26 ----	100872	Adjustment Knob
27 ----	100854	Pin
28 ----	100122	Exhaust Valve Diaphragm
29 ----	100109	Exhaust Cover, Original
-----	100110	Exhaust Cover, Swept Back

Part numbers in **BOLD ITALICS** indicate standard overhaul replacement part

Titan • Cousteau • Calypso • Partner • Octopus

1998-2004 *discontinued*



Key #	Part #	Description	Key #	Part #	Description
	900010	Overhaul Parts Kit	11	104106	Inlet Fitting
1	124578	Front Cover, Titan	12	820015P	O-ring (10 pk)
	124576	Front Cover, Calypso	13	106738	MP Seat
	124577	Front Cover, Octopus/Partner	14	104122	Poppet
2	124509	Sealing Ring	15	104127	Spring
3	104123	Diaphragm	16	104134	Poppet Bearing
4	104101	Box Bottom	17	104132	Valve Insert (Right Hand)
5	860137	Circlip	18	104108	Lever
6	820010P	O-ring (25 pk)	19	104129	Washer
7	104113	Vane Adjustment Switch	20	102510	Locknut
8	109438	Mouthpiece, Comfo Bite	21	104112	End Plug
	104138	Mouthpiece, Octopus	22	107822	Exhaust Diaphragm
9	104913	Clamp	23	104102	Exhaust Tee
10	100128	Crown	24	NLA	Exhaust Cover, Yellow, Octopus

Part numbers in **BOLD ITALICS** indicate standard overhaul replacement part.

Aqua Lung Common Regulator Spares

Regulator Service Kits

Part # Description

FIRST STAGE KITS

900000--- Cousteau/SEA/Spectrum, First Stage
 900001--- Titan(<2009)/Conshelf, First Stage
 900002--- Calypso/Aquarius/Mirage, First Stage
 900014--- Mikron/Titan(2010>),Legend non-ACD, First Stage
 900015--- Calypso (2004>) First Stage
 900017--- Legend ACD, First Stage
 900018--- Kronos/Titan LX ACD, First Stage
 42631 ---- Pioneer/SQ Century, Yoke and DIN (oil not incl.)
 42626 ---- SQ Infinity

SECOND STAGE KITS

900003--- Micra ADJ/Micra RH, Second Stage
 900009--- Impulse/Impulse Cryo/XR2, Second Stage
 900010--- Titan/Calypso/ABS/LPO/Glacia, Second Stage
 900012--- Legend(<2011)/Titan LX, Kronos, Mikron,Second Stage
 900013--- Conshelf, Second Stage
 900021--- Airsource III
 900022--- Legend Second Stage (2012>)
 42608 ---- Air Source II
 42628 ---- Sea Quest XL, Second Stage

COMPLETE KITS:

900016--- Mistral (complete)

Hose Protectors & Thread Adapters

Part # Description

101785 --- Adapter, HP, 7/16" Female to 3/8" Male
 128624 --- Service Date Sleeve
 124570 --- Hose Protector, Aqua Lung, Std Hose, Black
 124573 --- Hose Protector, Aqua Lung, Std Hose, Yellow
 127859 --- Hose Protector, Aqua Lung, Braided Hose, Black

Regulator MP Hoses Aqua Lung

Part # Description

129807 --- Hose, MP,Braided, 3/8 x 29 Black, w/2Protectors (2012 Legend)
 129681 --- Hose, MP,Braided, 3/8 x 39 Yellow, w/2Protectors (2012 Leg Octo)
 APF124563 Hose, MP, Primary, 3/8 x 30 w/Protector
 APF124565 Hose, MP, Primary, 1/2 x 30 w/Protector
 APF124566 Hose, MP, Octopus, 3/8 x 39 w/Protector, Yellow
 129343 --- Hose, MP, w/Heat x,3/8 x 30 Blk (Glacia)
 129352 --- Hose, MP, w/Heat x,3/8 x 36,Yellow Glacia)
 125932 --- Hose, MP, Mistral 630mm
 125934 --- Hose, MP, Mistral 245mm
 129861 --- Hose, MP, Aquaflex, Braided, 3/8 x 30 Black (Mikron)
 129862 --- Hose, MP, Aquaflex, Braided, 3/8 x 39 Yellow (Mikron)
 128619 --- Hose, MP, w/QD, 3/8 x 30 Black (Titan/Calypso)
 128620 --- Hose, MP, w/QD, 3/8 x 39 Yellow (Titan/Calypso)
 090015 --- Hose, MP, Primary, 3/8 x 30
 090025 --- Hose, MP, Octopus, 3/8 x 39

DIN/Yoke Adapters & ACD Conversions

Part # Description

LEGEND

129021 ---DIN ACD Adapter, Legend ACD (2013>)
For use on current Legend with body loaded filter (See Technical Bulletin #38)
 129803 ---DIN ACD Adapter, Legend ACD (2012)
For use on current Legend with inlet fitting loaded filter (See Technical Bulletin #38)
 129227 ---DIN ACD Conversion Kit, Legend (<2011)
Converts original non-ACD Legend in Yoke or DIN to ACD DIN
 129226 ---Yoke ACD Conversion Kit, Legend (<2011)
Converts original non-ACD Legend in Yoke to ACD Yoke. Uses original Yoke & Yoke Screw

TITAN LX

129023 ---DIN ACD Adapter, Titan LX ACD (2013>)
For use on current Titan LX with body loaded filter. (See Technical Bulletin #38)
 128142 ---DIN ACD Adapter, Titan LX ACD (2009-12)
For use on current Titan LX with inlet fitting loaded filter. (See Technical Bulletin #38)

MIKRON

129022 ---DIN Adapter, non-ACD, Mikron (2013>)
For use on current Mikron with body loaded filter. (See Technical Bulletin #38)
 127865 ---DIN Adapter, non-ACD, Mikron (2010-12)
For use on current Mikron with inlet fitting loaded filter. (See Technical Bulletin #38)

TITAN

129022 ---DIN Adapter, non-ACD, Titan (2013>)
For use on current Titan with body loaded filter. (See Technical Bulletin #38)
 129023 ---DIN ACD Conversion, Titan (2013>)
Converts non-ACD Titan in Yoke or DIN to ACD DIN
For use on current Titan with body loaded filter. (See Technical Bulletin #38)
 128545 ---DIN Adapter, non-ACD, Titan (2010-12)
For use on current Titan with inlet fitting loaded filter. (See Technical Bulletin #38)
 128142 ---DIN ACD Conversion, Titan (2010-12)
Converts non-ACD Titan in Yoke or DIN to ACD DIN
For use on current Titan with inlet fitting loaded filter. (See Technical Bulletin #38)
 129226 ---Yoke ACD Conversion Kit, Titan (2010-12)
Converts non-ACD Titan Yoke to ACD Yoke. Uses original Yoke & Yoke Screw
For use on current Titan with inlet fitting loaded filter. (See Technical Bulletin #38)

OLDER MODELS

103172 ---DIN Adapter, Titan/Mistral (<2009)
 107455 ---DIN Adapter, SE3/SE2/Conshelf14

125237 ---DIN to Yoke Converter

Silicone Mouthpieces

Part # Description

109438 --- Comfo-bite (Black)>Titan LX/Legend/Kronos/Mikron/XLC/Glacia
 127826 --- Comfo-bite (Black,Small)>Mikron
 104138 --- Black w/Bite Tabs>Titan/Legend/Kronos/Mikron/XLC/Glacia/Octo
 105838 --- Comfo-bite (Clear)>Micra
 105848 --- Comfo-bite (Clear, Small)>Micra/Conshelf 22/ SEA4/SE3
 105831 --- Black w/Bite Tabs>LPO/Micra
 105884 --- Comfo-bite (White)>Conshelf XIV
 105885 --- Comfo-bite (Black)>Conshelf XIV
 105879 --- Black w/Bite Tabs>Conshelf XIV
 109512 --- Lip Shield>Legend Supreme/Titan LX Supreme

Apeks Common Regulator Spares

Regulator Service Kits

Part #	Description
--------	-------------

FIRST STAGE KITS:

AP0241/AA--Apeks Diaphragm First Stage
 AP0227/AA--Apeks Status First Stages
 AP0250--- Apeks Flight First Stage

SECOND STAGE KITS:

AP0219/AA--Apeks Second Stages
 AP0254--- Apeks Flight Second Stage

DIN/Yoke Adapters

Part #	Description
--------	-------------

AP0620--- DIN Adapter, Co-molded Handwheel
 AP0211--- DIN Adapter, Chrome
 AP0211/S--DIN Adapter, Satin
 AP0371--- DIN Adapter, Flight
 AP0195--- DIN to Yoke Converter

Hose Protectors & Thread Adapters

Part #	Description
--------	-------------

101785 --- Adapter, HP, 7/16" Female to 3/8" Male
 AP1461--- Hose Protector, Apeks, Black (Std Hose)
 AP1461Y--Hose Protector, Apeks, Yellow (Std Hose)
 AP7100 ---Hose Protector, Apeks, Black (Flex Hose)
 AP7100Y--Hose Protector, Apeks, Yellow (Flex Hose)
 AP6236 ---Hose Protector, Apeks, Black (Flight)
 AP6236Y--Hose Protector, Apeks, Yellow (Flight)

Accessories

Part #	Description
--------	-------------

AP0480K--Apeks Regulator Necklace
 AP0274--- 5th Port Upgrade Kit, XTX50
 AP02741--5th Port Upgrade Kit, XTX200/100

Regulator MP Hoses Apeks

Part #	Description
--------	-------------

AP0203--- Hose, MP, Primary, 1/2 x 30"
 AP0203/S--Hose, MP, Primary, Satin, 1/2 x 30"
 AP0203/1--Hose, MP, Primary, 3/8 x 30"
 AP0206--- Hose, MP, Octopus, Yellow, 3/8 x 36"
 AP0198--- Hose, MP, A'Flex, Primary, 3/8 x 30"
 AP0199--- Hose, MP, A'Flex, Yellow, 3/8 x 36"
 AP02031--Hose, MP, 3/8 x 2 Meter (Tec 3)
 AP0200--- Hose, MP, Flex, Primary, 3/8 x 29" (Flight)
 AP0201--- Hose, MP, Flex, Yellow, 3/8 x 36" (Flight)
 AP0249--- Service Kit, Swivel Hose

Silicone Mouthpieces

Part #	Description
--------	-------------

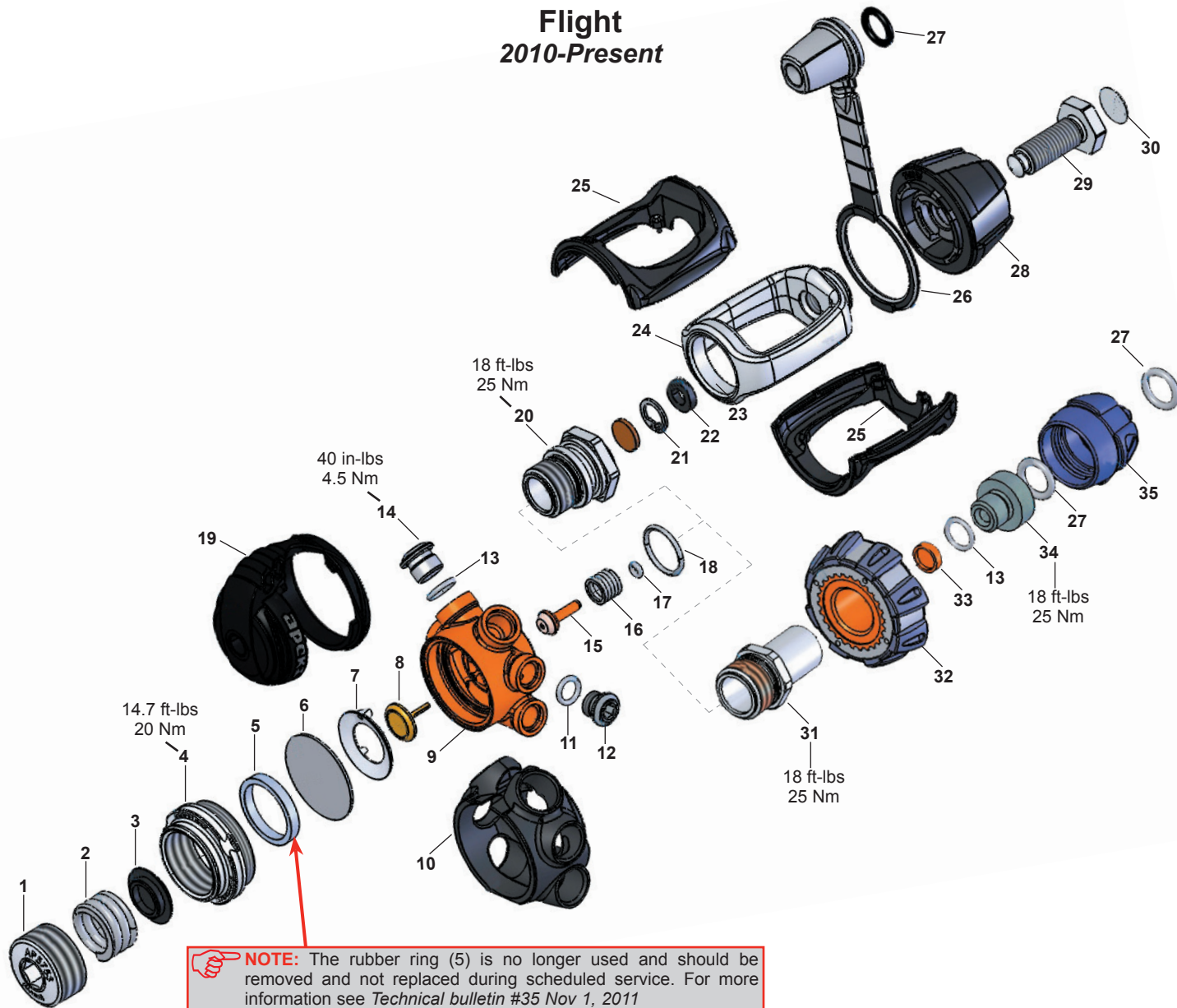
AP5324K--Comfo-bite, Black, Apeks
 AP5324G--Comfo-bite, Green, Apeks
 127826 --- Comfo-bite, Black, Small
 109512 --- Lip Shield

Sidemount Regulator Accessories

Part #	Description
--------	-------------

AP0146180IMP SPG,w/Hose 6" Imperial
 AP0146180----SPG, w/Hose, 6" Metric
 AP0189NHP---Hose, Reg, Braided, Black, 3/8 x 24"
 AP0198NHP---Hose, Reg, Braided, Black, 3/8 x 83"
 AP0137NHP---Hose, Inflator, Braided, Black, 3/8 x 8"
 AP0903K ----Fitting, 90° Fixed Elbow
 AP1000K----Bolt Snap, S/S, Single, 75mm

Flight 2010-Present

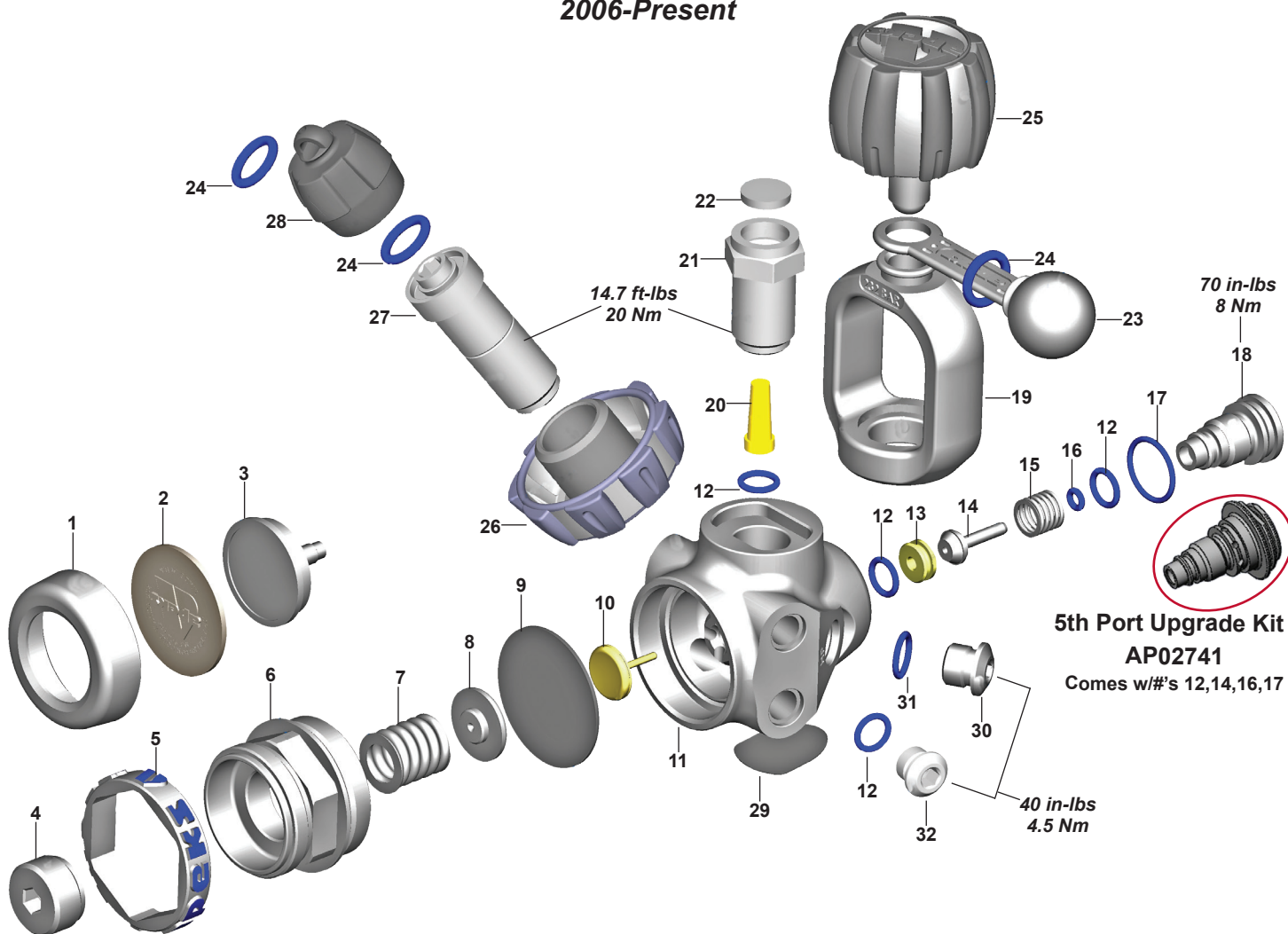


NOTE: The rubber ring (5) is no longer used and should be removed and not replaced during scheduled service. For more information see *Technical bulletin #35 Nov 1, 2011*

Key #	Part #	Description	Key #	Part #	Description
-----	AP0250	Service Kit, Flight First Stage	14 ----	AP1413	Blanking Plug, 7/16" HP Port
-----	AP0810	Flight, First Stage only, w/Yoke, Pewter	15 ----	AP5759	HP Valve
-----	AP0810P	Flight, First Stage only, w/Yoke, Pink	16 ----	AP1415	Spring
-----	AP0810TL	Flight, First Stage only, w/Yoke, Twilight	17 ----	AP1299P	O-ring (10 pk)
-----	AP0371	DIN Connector	18 ----	AP1298P	O-ring (10 pk)
1 ----	AP5753	Spring Adjuster	19 ----	AP5750	Hood
2 ----	AP5754	MP Spring	20 ----	AP0168	Yoke Connector
3 ----	AP5755	Spring Carrier	21 ----	AP5769	Filter, Yoke
4 ----	AP5752	Diaphragm Clamp, Composite	22 ----	AP5768	Circlip
5 ----	NLA	Rubber Ring	23 ----	AP5695	Plastic Clip
6 ----	AP5756	Diaphragm	24 ----	AP5766	Yoke Clamp
7 ----	AP5757	Splitter	25 ----	AP5767	Yoke Cover
8 ----	AP5717	Valve Lifter	26 ----	AP5714	Dust Cap
9 ----	AP5758	Body	27 ----	AP1166P	O-ring (10 pk)
10 ----	AP5751	Jacket, Pewter	28 ----	AP5716	Yoke Knob
-----	AP5751G	Jacket, Green	29 ----	AP5713	Handwheel Hex Axle
-----	AP5751P	Jacket, Pink	30 ----	AP5770	Decal
-----	AP5751TL	Jacket, Twilight	31 ----	AP0163	DIN Connector
11 ----	AP1409P	O-ring (10 pk)	32 ----	AP6201	DIN Handwheel
12 ----	AP1408	Blanking Plug, 3/8" MP Port	33 ----	AP5763	Filter, DIN
13 ----	AP1445P	O-ring (10 pk)	34 ----	AP5764	DIN Bolt
			35 ----	AP6202	Dust Cap

Part numbers in **BOLD ITALICS** indicate standard overhaul replacement part.

XTX200 2006-Present



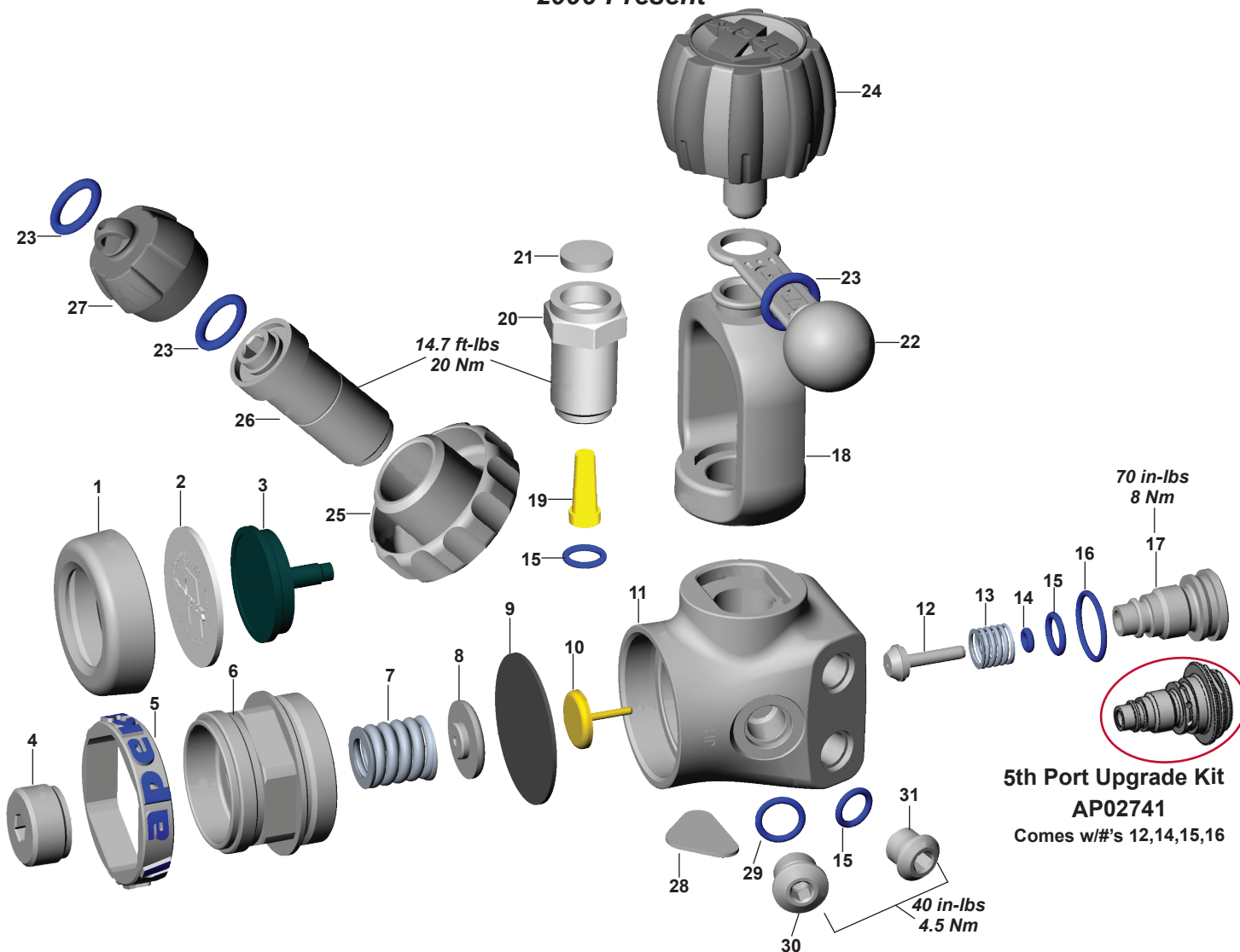
**5th Port Upgrade Kit
AP02741**
Comes w/#'s 12,14,16,17

NOTE: For 2013, the XTX200 body (11) was changed to fit a new body decal (29). If ordering the new 2013 body make sure to order the 2013 decal for a proper fit.

Key #	Part #	Description	Key #	Part #	Description
-----	AP0241/AA	Service Kit, Diaphragm First Stage	13 ----	AP5721	Removable HP Valve Seat (Crown)
-----	AP0363F	XTX200, First Stage only, w/Yoke	14 ----	AP1419	HP Valve
-----	AP0363F1	XTX200, First Stage only, w/DIN	15 ----	AP1415	Spring
-----	AP0620	DIN Connector, Comolded, Tungsten, XTX	16 ----	AP1299P	O-ring (10 pk)
-----	AP02741	5th Port Upgrade Kit, XTX only	17 ----	AP1300P	O-ring (10 pk)
1 ----	AP1484	Environmental End Cap, Chrome, XTX	18 ----	AP5309B	HP Balance Plug, Chrome, XTX, Tungsten
-----	AP1484PVDS	Environmental End Cap, PVD, Tungsten	19 ----	AP1403	Yoke Clamp, Chrome, XTX
2 ----	AP1482F1	Hydrostatic Diaphragm, XTX (3-color)	-----	AP1403PVDS	Yoke Clamp, PVD, Tungsten
-----	AP14821	Hydrostatic Diaphragm, XTX	20 ----	AP1472	Conical Filter
-----	AP1482T	Hydrostatic Diaphragm, Tungsten	21 ----	AP1407	Yoke Clamp Connector, Chrome, XTX, Tungsten
3 ----	AP1483	Hydrostatic Transmitter	22 ----	AP1406/1	Filter Guard
4 ----	AP1474	Spring Adjuster	23 ----	AP1404	Protective Cap
5 ----	AP5725	Molded Logo Ring, XTX	24 ----	AP1166P	O-ring (10 pk)
6 ----	AP14731	Diaphragm Clamp, Chrome, XTX	25 ----	AP1402	Yoke Clamp Screw, Comolded
7 ----	AP1475	Spring	26 ----	AP6201	Handwheel, 300 Bar, XTX, Tungsten
8 ----	AP1476	Spring Carrier	27 ----	AP1471	Handwheel Connector, Chrome, XTX, Tungsten
9 ----	AP1478	Diaphragm	28 ----	AP6202	Protective Cap, DIN
10 ----	AP5722	Valve Lifter	29 ----	AP63081200	Decal, Body, XTX200 (2013)
11 ----	AP5101F	Body, Chrome, XTX (2013)	-----	AP5723	Decal, Body, XTX200
-----	AP5101	Body, Chrome, XTX	-----	AP6239F	Decal, Body, XTX Tungsten (2013)
-----	AP5101FPVDS	Body, XTX Tungsten (2013)	-----	AP6239	Decal, Body, XTX Tungsten
-----	AP5101PVDS	Body, XTX Tungsten	30 ----	AP1413	7/16" HP Blanking Plug
12 ----	AP1409P	O-ring (10 pk)	31 ----	AP1445P	O-ring (10 pk)
			32 ----	AP1408	3/8" MP Blanking Plug

Part numbers in **BOLD ITALICS** indicate standard overhaul replacement part.

XTX100 2006-Present



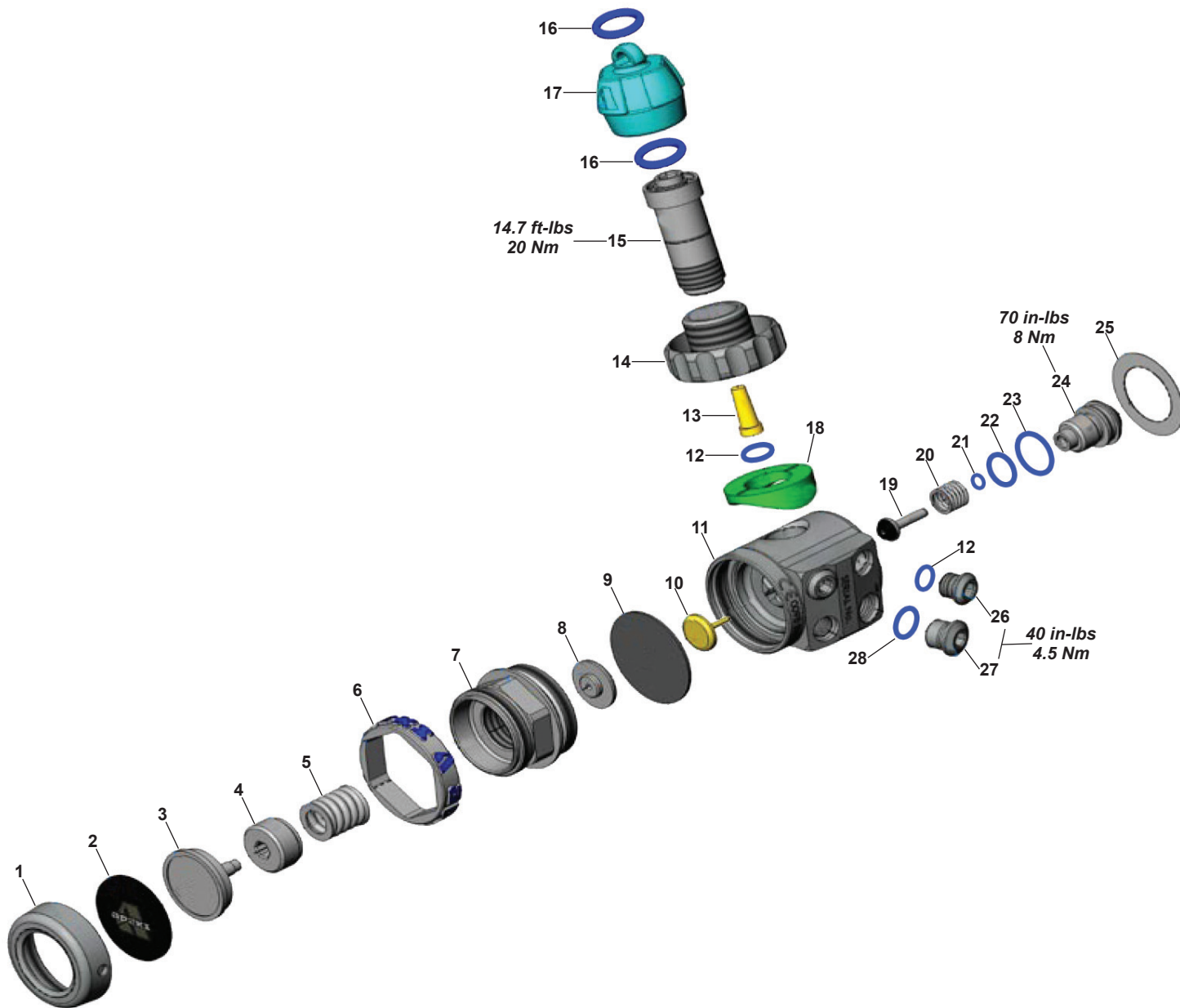
5th Port Upgrade Kit
AP02741
Comes w/#'s 12,14,15,16

NOTE: For 2013, the XTX 100 body (11) was changed to fit a new body decal (28). If ordering the new 2013 body make sure to order the 2013 decal for a proper fit.

Key #	Part #	Description	Key #	Part #	Description
-----	AP0241/AA	Service Kit, Diaphragm First Stage	14 ----	AP1299P	O-ring (10 pk)
-----	AP0362F	XTX100, First Stage only, w/Yoke	15 ----	AP1409P	O-ring (10 pk)
-----	AP0211/S	DIN Connector	16 ----	AP1300P	O-ring (10 pk)
-----	AP02741	5th Port Upgrade Kit, XTX only	17 ----	AP5309	HP Balance Plug
1 ----	AP1484/S	Environmental End CAP	18 ----	AP1403/S	Yoke Clamp
2 ----	AP1482F1	Hydrostatic Diaphragm, XTX (3-color)	19 ----	AP1472	Conical Filter
-----	AP14821	Hydrostatic Diaphragm, XTX	20 ----	AP1407/S	Yoke Clamp Connector
3 ----	AP1483	Hydrostatic Transmitter	21 ----	AP1406/1	Filter Guard
4 ----	AP1474	Spring Adjuster	22 ----	AP1404	Protective CAP
5 ----	AP5725	Molded Logo Ring, XTX	23 ----	AP1166P	O-ring (10 pk)
6 ----	AP14731	Diaphragm Clamp, XTX	24 ----	AP1402	Yoke Clamp Screw, Comolded
7 ----	AP1475	Spring	25 ----	AP1470/S	Handwheel 300 bar
8 ----	AP1476	Spring Carrier	26 ----	AP1471/S	Handwheel Connector
9 ----	AP1478	Diaphragm	27 ----	AP6202	Protective DIN CAP
10 ----	AP1479	Valve Lifter	28 ----	AP6308100	Decal, Body (2013)
11 ----	AP5102F	Body, FST, 3/8" MP Port, XTX (2013)	-----	AP5014	Decal, Body
-----	AP5102	Body, FST, 3/8" MP Port, XTX	29 ----	AP1445P	O-ring (10 pk)
12 ----	AP1419	HP Valve	30 ----	AP1413	7/16" HP Blanking Plug
13 ----	AP1415	Spring	31 ----	AP1408	3/8" MP Blanking Plug

Part numbers in **BOLD ITALICS** indicate standard overhaul replacement part.

TEK 3
2007-Present

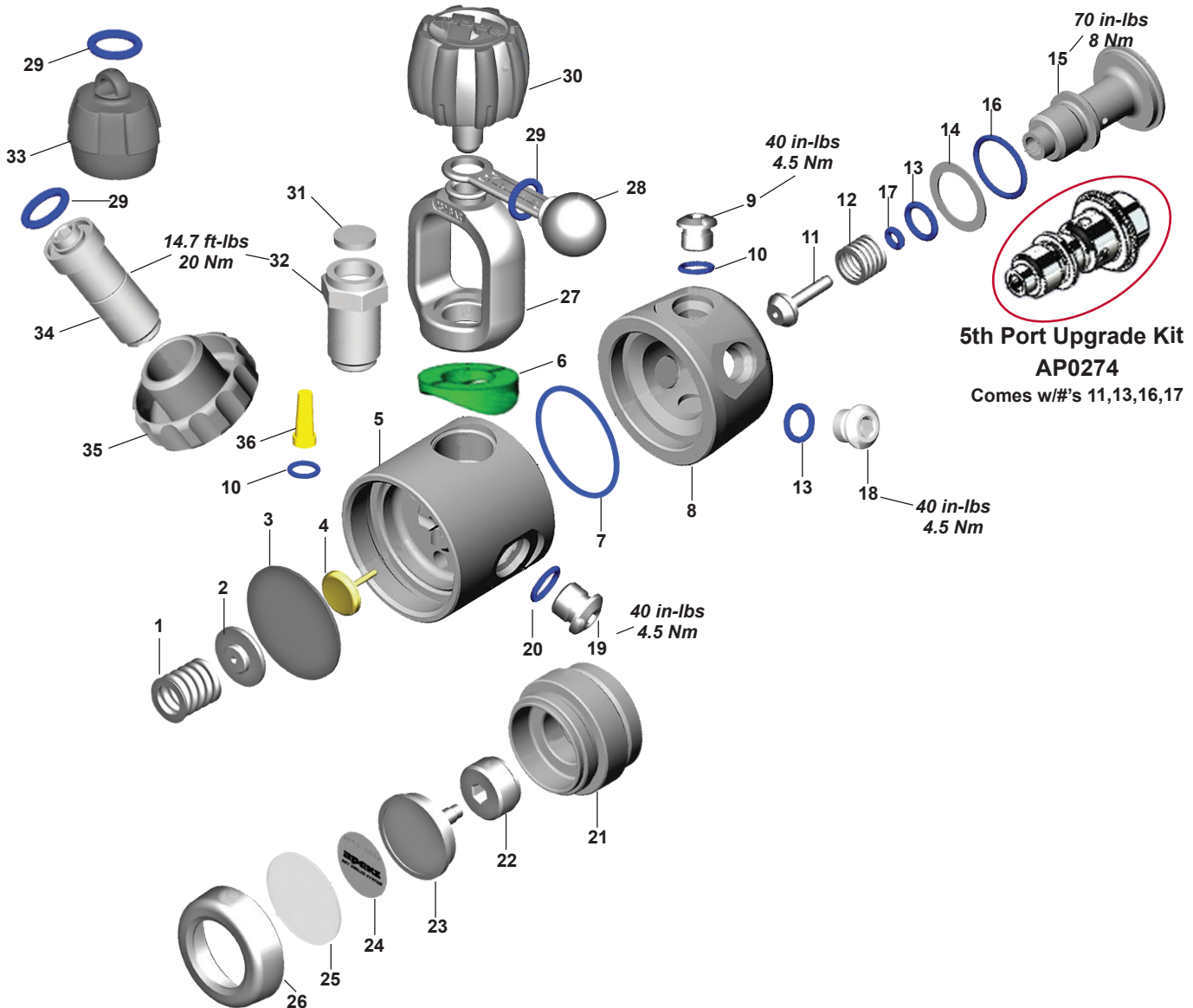


Key #	Part #	Description
-----	AP0241/AA	Service Kit, Diaphragm First Stage
-----	AP0367-1	TEK3 First Stage Set
-----	AP0211	DIN Connector
1----	AP1484	Environmental End Cap, Chrome
2----	AP14821	Hydrostatic Diaphragm
3----	AP1483	Hydrostatic Transmitter
4----	AP1474	Spring Adjuster
5----	AP1475	Spring
6----	AP5725	Molded Logo Ring
7----	AP14731	Diaphragm Clamp, Chrome
8----	AP1476	Spring Carrier
9----	AP1478	Diaphragm
10----	AP1479	Valve Lifter
11----	AP5104	TEK3 LH Valve Body
----	AP5105	TEK3 RH Valve Body
12----	AP1409P	O-ring (10 pk)

Key #	Part #	Description
13----	AP1472	Conical Filter
14----	AP1470	DIN Handwheel, Chrome
15----	AP1471	Handwheel Connector, Chrome
16----	AP1166P	O-ring (10 pk)
17----	AP6202	DIN Protective Cap
18----	AP1446	Distance Piece
19----	AP1419	HP Valve
20----	AP1415	Spring
21----	AP1299P	O-ring (10 pk)
22----	AP1410P	O-ring (10 pk)
23----	AP1300P	O-ring (10 pk)
24----	AP5202	HP Balance Plug
25----	AP5106	TEK3 Decal
26----	AP1408	3/8" UNF Blanking Plug
27----	AP1413	7/16" UNF Blanking Plug
28----	AP1445P	O-ring (10 pk)

Part numbers in **BOLD ITALICS** indicate standard overhaul replacement part.

XTX50 • XTX40 2006-Present • TX50 2001-Present (Military Only)
ATX50/40 2002-2007 *discontinued*

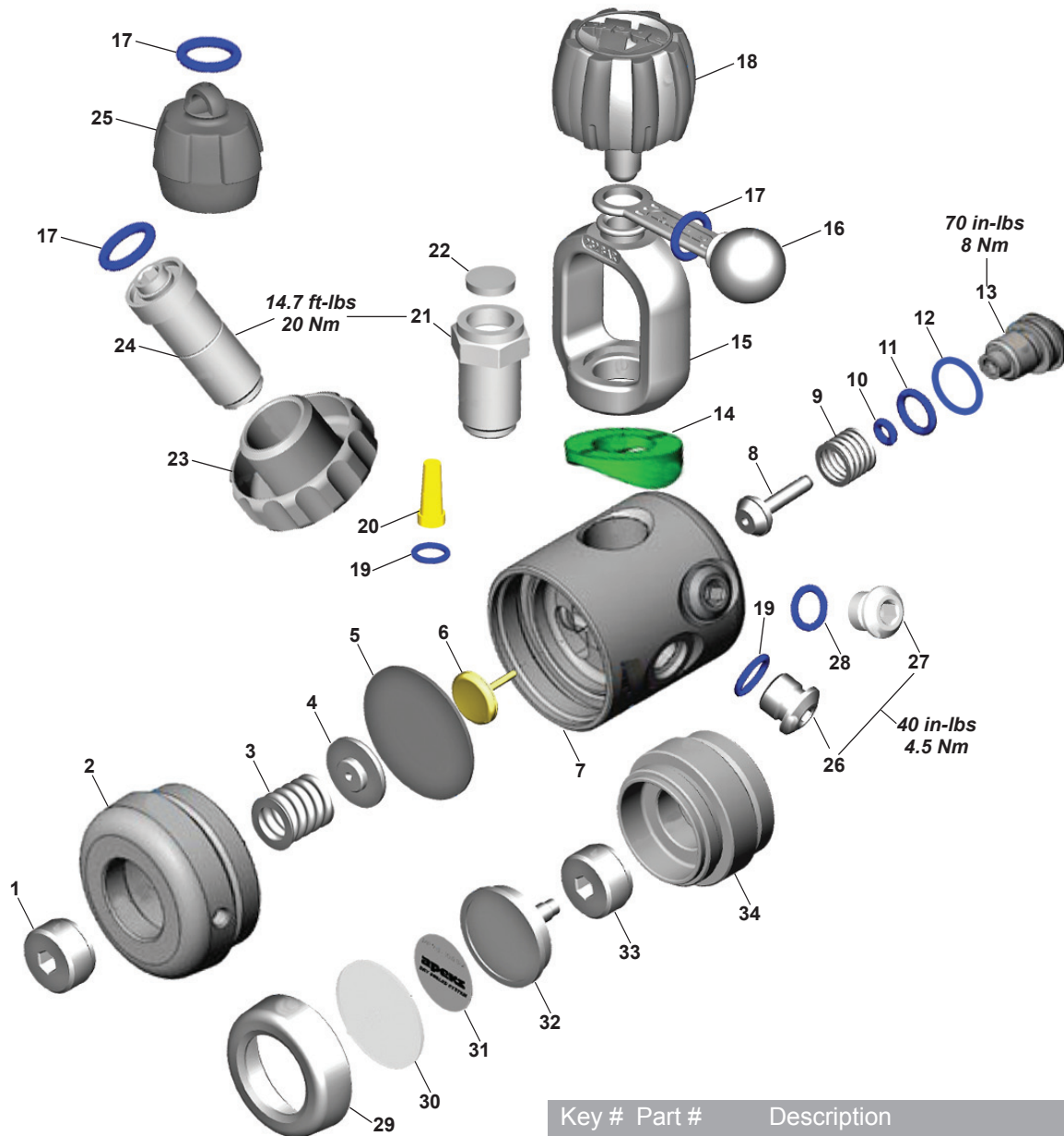


**5th Port Upgrade Kit
 AP0274**
 Comes w/#'s 11,13,16,17

Key #	Part #	Description	Key #	Part #	Description
-----	AP0241/AA	Service Kit, Diaphragm First Stage	16 ----	AP1438P	O-ring (10 pk)
-----	AP0361F	XTX50, First Stage only, w/Yoke	17 ----	AP1299P	O-ring (10 pk)
-----	AP0361F1	XTX50, First Stage only, w/DIN	18 ----	AP1487	Blanking Plug 1/2", ATX, TX
-----	AP0274	5-Port Turret Upgrade Kit	19 ----	AP1413	Blanking Plug 7/16"
-----	AP0211	Din Connector	20 ----	AP1445P	O-ring (10 pk)
1 ----	AP1475	Spring	21 ----	AP1473	Diaphragm Clamp
2 ----	AP1476	Spring Carrier	22 ---	AP1474	Spring Adjuster
3 ----	AP1478	Diaphragm	23 ----	AP1483	Hydrostatic Transmitter
4 ----	AP1479	Valve Lifter	24 ----	AP1477F	Decal
5 ----	AP1480F	Body w/Lazer Graphic	25 ----	AP1482	Hydrostatic Diaphragm
6 ----	AP1446	Distance Piece	26 ----	AP1484	Environmental End Cap
7 ----	AP1420P	O-ring (10 pk)	27 ----	AP1403	Yoke Clamp
8 ----	AP5103	Turret with 3/8" MP Port, XTX	28 ---	AP1404	Protective Cap
-----	AP1481	Turret with 1/2" MP Port, ATX/TX	29 ----	AP1166P	O-ring (10 pk)
9 ----	AP1408	Blanking Plug 3/8"	30 ----	AP1402	Yoke Clamp Screw, Comolded
10 ----	AP1409P	O-ring (10 pk)	31 ----	AP1406/1	Filter Guard
11 ----	AP1419	HP Valve	32 ----	AP1407	Yoke Clamp Connector
12 ----	AP1415	Spring	33 ----	AP6202	Protective Cap DIN
13 ----	AP1410P	O-ring (10 pk)	34 ----	AP1471	Handwheel Connector
14 ----	AP1414	Thrust Washer	35 ----	AP1470	Handwheel 300 Bar
15 ----	AP1486	Turret Retaining Bolt	36 ----	AP1472	Conical Filter

Part numbers in **BOLD ITALICS** indicate standard overhaul replacement part.

XTX20 • AT20 • DS4
2002-Present



Key # Part # Description

Key # Part # Description

- **AP0241/AA** **Service Kit, Diaphragm First Stages**
- AP0527 DS4 First Stage, Yoke, Dry Kit
- AP0528 DS4 First Stage, DIN, Dry Kit
- AP0517 US4 First Stage, Yoke, w/o Dry Kit
- AP0211 DIN Connector Kit
- 1---- AP14741 Spring Adjuster
- 2---- AP1485 Diaphragm Cap.US4
- 3---- AP1475 Spring
- 4---- AP1476 Spring Carrier
- 5---- AP1478 Diaphragm**
- 6---- AP1479 Valve Lifter
- 7---- AP5201 Body
- 8---- AP1419 HP Valve**
- 9---- AP1415 Spring
- 10---- AP1299P O-ring (10 pk)**
- 11---- AP1410P O-ring (10 pk)**
- 12---- AP1300P O-ring (10 pk)**
- 13---- AP5202 HP Balance Plug

- 14---- AP1446 Distance Piece
- AP1446G Distance Piece, Nitrox, Green
- 15---- AP1403 Yoke Clamp
- 16---- AP1404 Protective Cap
- 17---- AP1166P O-ring (10 pk)**
- 18---- AP1402 Yoke Clamp Screw, Comolded
- 19---- AP1409P O-ring (10 pk)**
- 20---- AP1472 Conical Filter**
- 21---- AP1407 Yoke Clamp Connector
- 22---- AP1406/1 Filter Guard**
- 23---- AP1470 Handwheel 300 Bar, Chrome
- 24---- AP1471 Handwheel Connector, Chrome
- 25---- AP6202 DIN Protective Cap
- 26---- AP1408 3/8" UNF Blanking Plug
- 27---- AP1413 7/16" UNF Blanking Plug
- 28---- AP1445P O-ring (10 pk)**
- 29---- AP1484 Environmental Cap
- 30---- AP1482 Hydrostatic Diaphragm**
- 31---- AP1477F Decal
- AP14771 Decal, Nitrox
- 32---- AP1483 Hydrostatic Transmitter
- 33---- AP1474 Spring Adjuster
- 34---- AP1473 Diaphragm Clamp, DS4

Part numbers in **BOLD ITALICS** indicate standard overhaul replacement part.

Status
 2007-2008 *discontinued*



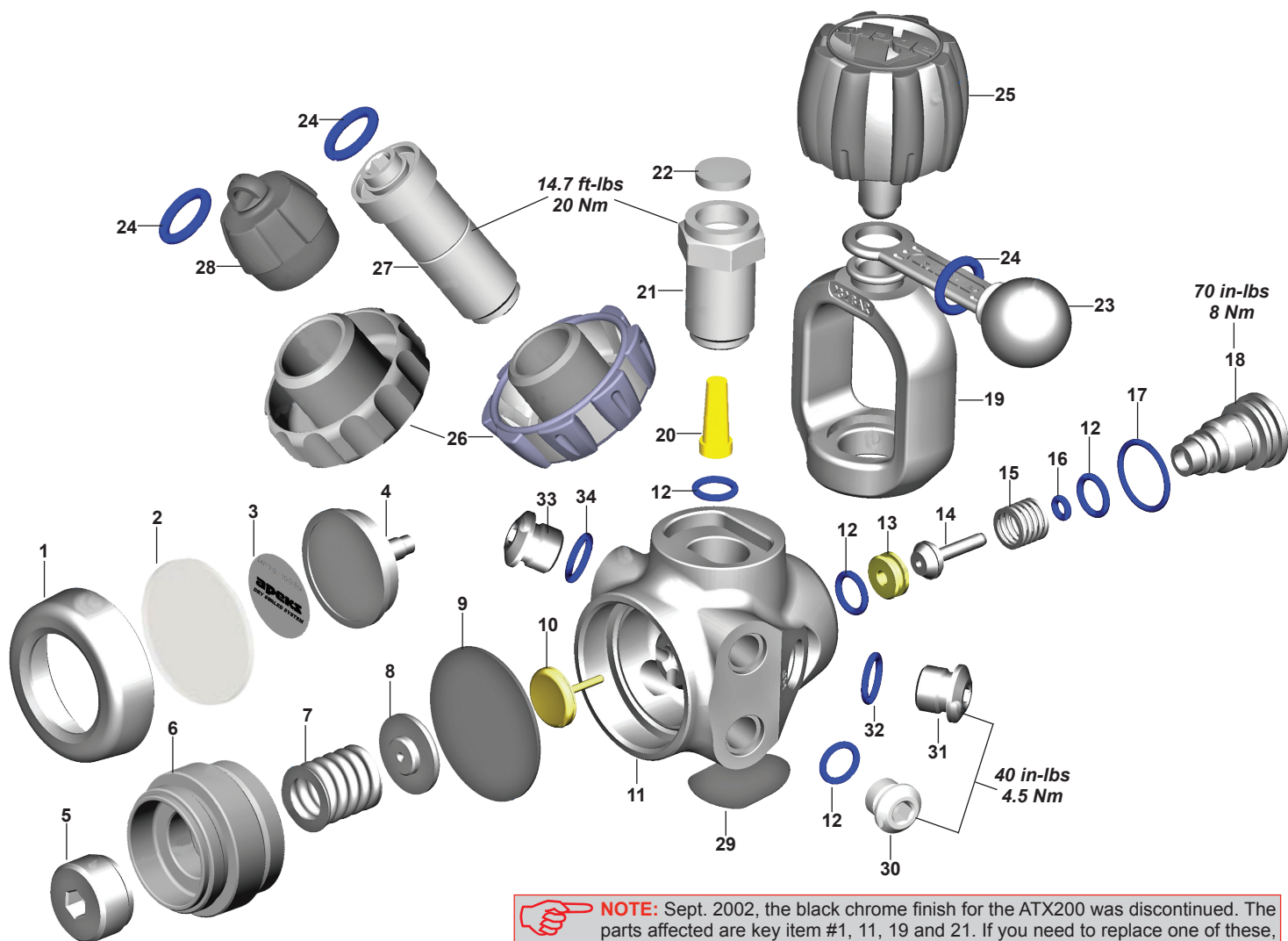
Key #	Part #	Description
-----	AP0227/AA	Service Kit, Status First Stage
-----	AP0228	Electronic Replacement Kit (Includes 3, 4, 6, 15)
1----	AP1484	Environmental End Cap
2----	AP1482	Hydrostatic Diaphragm
3----	AP7510	Status Decal
4----	N/A	Main Electronic Unit
5----	AP7518	Battery Carrier
6----	103105	CR2025 Battery, Coin Cell, Lithium
7----	AP7508	Spring Adjuster
8----	AP5725	Logo Ring
9----	AP7507	Diaphragm Clamp

Key #	Part #	Description
10----	AP7520	O-ring
11----	AP1475	Spring
12----	AP7506	Location Plug
13----	AP7505	Clamping Nut
14----	AP7501	Diaphragm Ring
15----	N/A	Pressure Sensor
16----	AP7502	O-ring
17----	AP7512	Status Valve Lifter (XTX 50)
----	AP7500	Status Valve Lifter (XTX 200)
18a---	AP1480F	XTX50 Body w/Lazer Graphic
18b---	AP5101	XTX200 Body

Part numbers in **BOLD ITALICS** indicate standard overhaul replacement part.

ATX200

2002-2008 *discontinued*



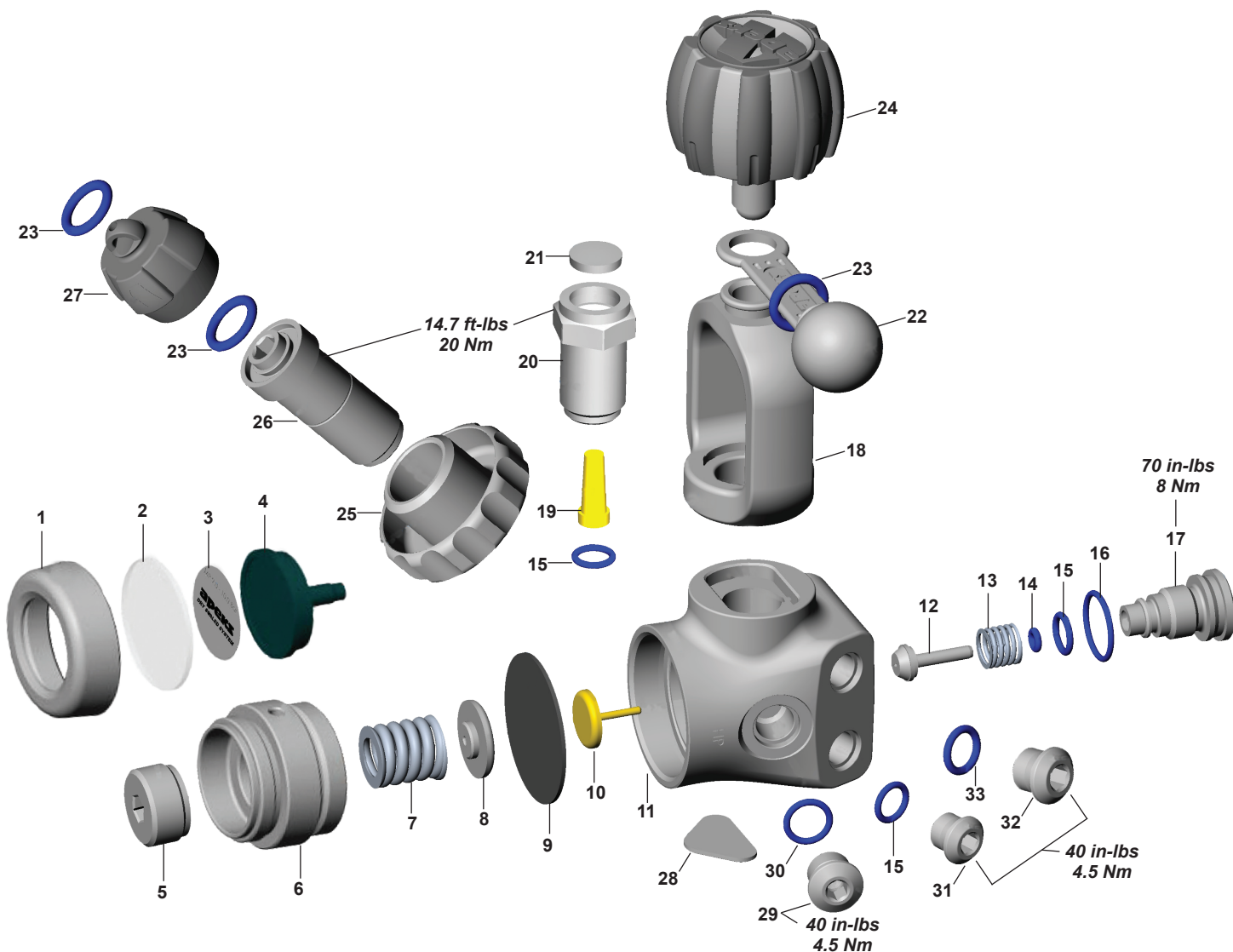
NOTE: Sept. 2002, the black chrome finish for the ATX200 was discontinued. The parts affected are key item #1, 11, 19 and 21. If you need to replace one of these, you will need to order the part in satin or chrome.

Key #	Part #	Description	Key #	Part #	Description
-----	AP0241/AA	Service Kit, Diaphragm First Stage	18	AP5309	HP Balance Plug, Satin
-----	AP0211/S	DIN Connector, Satin, ATX	-----	AP5309B	HP Balance Plug, Chrome, Tungsten
-----	AP0620	DIN Connector, Comolded, Tungsten	19	AP1403/S	Yoke Clamp, Satin
1	AP1484/S	Environmental End Cap, Satin	-----	AP1403PVDS	Yoke Clamp, PVD, Tungsten
-----	AP1484PVDS	Environmental End Cap, PVD, Tungsten	20	AP1472	Conical Filter
2	AP1482	Hydrostatic Diaphragm, ATX	21	AP1407/S	Yoke Clamp Connector, Satin
-----	AP14821	Hydrostatic Diaphragm, Tungsten	-----	AP1407	Yoke Clamp Connector, Chrome, Tungsten
3	AP5724	Decal	22	AP1406/1	Filter Guard
4	AP1483	Hydrostatic Transmitter	23	AP1404	Protective Cap
5	AP1474	Spring Adjuster	24	AP1166P	O-ring (10 pk)
6	AP1473	Diaphragm Clamp, Satin	25	AP1402	Yoke Clamp Screw, Comolded
7	AP1475	Spring	-----	AP1402	Yoke Clamp Screw, Satin
8	AP1476	Spring Carrier	26	AP1470/S	Handwheel, 300 Bar, Satin
9	AP1478	Diaphragm	-----	AP6201	Handwheel, 300 Bar, Tungsten
10	AP5722	Valve Lifter	27	AP1471/S	Handwheel Connector, Satin
11	AP5101	Body, Chrome, XTX	-----	AP1471	Handwheel Connector, Chrome, Tungsten
-----	AP5101PVDS	Body, XTX Tungsten	28	AP6202	Protective Cap, DIN
12	AP1409P	O-ring (10 pk)	29	AP5723	Decal, Body
13	AP5721	Removable HP Valve Seat (Crown)	-----	AP5739	Decal, Body, Tungsten
14	AP1419	HP Valve	30	AP1408	3/8" MP Blanking Plug
15	AP1415	Spring	31	AP1413	7/16" HP Blanking Plug
16	AP1299P	O-ring (10 pk)	32	AP1445P	O-ring (10 pk)
17	AP1300P	O-ring (10 pk)	33	AP1487	1/2" MP Blanking Plug
			34	AP1410P	O-ring, ATX (10 pk)

Part numbers in **BOLD ITALICS** indicate standard overhaul replacement part.

ATX100

2004-2006 *discontinued*



Key #	Part #	Description
-----	AP0241/AA	Service Kit, Diaphragm First Stage
-----	AP0211/S	DIN Connector
1 ----	AP1484/S	Environmental End Cap, Satin
2 ----	AP1482	Hydrostatic Diaphragm, ATX
3 ----	AP1477F	Environmental Decal
4 ----	AP1483	Hydrostatic Transmitter
5 ----	AP1474	Spring Adjuster
6 ----	AP1473	Diaphragm Clamp, Satin
7 ----	AP1475	Spring
8 ----	AP1476	Spring Carrier
9 ----	AP1478	Diaphragm
10 ----	AP1479	Valve Lifter
11 ----	AP5102	Body, Satin
12 ----	AP1419	HP Valve
13 ----	AP1415	Spring
14 ----	AP1299P	O-ring (10 pk)
15 ----	AP1409P	O-ring (10 pk)

Key #	Part #	Description
16 ----	AP1300P	O-ring (10 pk)
17 ----	AP5309	HP Balance Plug, Satin
18 ----	AP1403/S	Yoke Clamp, Satin
19 ----	AP1472	Conical Filter
20 ----	AP1407/S	Yoke Clamp Connector, Satin
21 ----	AP1406/1	Filter Guard
22 ----	AP1404	Protective CAP
23 ----	AP1166P	O-ring (10 pk)
24 ----	AP1402	Yoke Clamp Screw, Satin
25 ----	AP1470/S	Handwheel, Satin, 300 bar
26 ----	AP1471/S	Handwheel Connector, Satin
27 ----	AP6202	Protective DIN CAP
28 ----	AP5014	Decal, Body
29 ----	AP1413	7/16" HP Blanking Plug
30 ----	AP1445P	O-ring (10 pk)
31 ----	AP1408	3/8" MP Blanking Plug
32 ----	AP1487	1/2" MP Blanking Plug
33 ----	AP1410P	O-ring (10 pk)

Part numbers in **BOLD ITALICS** indicate standard overhaul replacement part.

Flight Series 2010-Present



Key #	Part #	Description
-------	--------	-------------

-----	AP0254	Flight Second Stage Repair Kit
-----	AP0811	Flight, Second Stage only, Pewter
-----	AP0811TL	Flight, Second Stage only, Twilight
-----	AP0811P	Flight, Second Stage only, Pink
1----	AP7589	Purge Clamp Ring (for Pewter Model)
-----	AP7589F	Purge Clamp Ring (for Pink & Twilight Model)
-----	AP7589G	Purge Clamp Ring (Green)
-----	AP7589Y	Purge Clamp Ring (Yellow)
2----	AP0175M	Front Cover Assembly (for Pewter/Octo)
-----	AP0175T	Front Cover Assembly (for Green Model)
-----	AP0175TL	Front Cover Assembly (for Twilight Model)
-----	AP0175F	Front Cover Assembly (for Pink Model)
3----	AP7577	Inner Locking Ring
4----	AP7592	Friction Ring
5----	AP100181	Diaphragm
6----	AP7590	Case
7----	AP7578	Exhaust Tee
8----	AP6223	Exhaust Valve
9----	AP1267P	O-ring (10 pk)
10----	AP7579	Venturi Lever
11----	AP7596B	Insert Logo (Black)
-----	AP7596P	Insert Logo (Pink)
-----	AP7596G	Insert Logo (Green)
-----	AP7596Y	Insert Logo (Yellow)

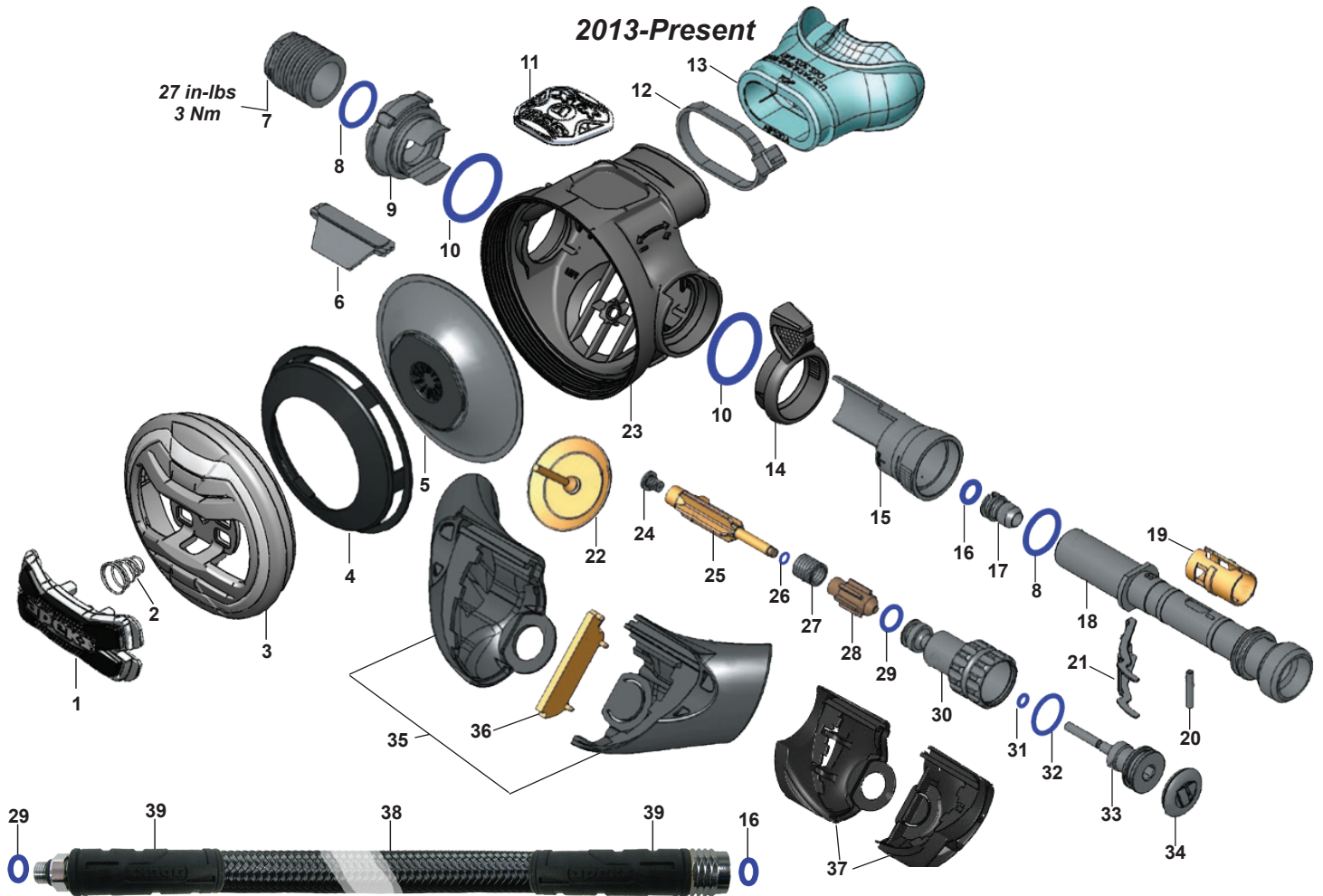
Key #	Part #	Description
-------	--------	-------------

12----	129154	Mouthpiece Clamp
13----	AP5324K	Mouthpiece, Comfobite, Std.
-----	127826	Mouthpiece, Comfobite, Small
-----	104138	Mouthpiece, Standard, Octopus
14----	AP7581	Spindle Body
15----	AP7570	Micro Adjuster Screw
16----	AP7582	Spindle Adjuster Sleeve
17----	AP7584	Spring Carrier
18----	AP2021	Spring
19----	AP5711P	O-ring (10 pk)
20----	AP5707	Shuttle Valve
21----	129638	MP Seat
22----	AP2035	Lever
23----	AP1154P	O-ring (10 pk)
24----	AP7563	Seat
25----	AP7586	Inlet Fitting
26----	AP7595	Locking Slide Ring
27----	AP6236	Hose Protector, Black (for Flex Hose)
-----	AP6236Y	Hose Protector, Yellow (for Flex Hose)
28----	AP0200	Hose, Flex, 3/8" X 29" Black, w/Hose Protectors
-----	AP0201	Hose, Flex, 3/8" X 36" Yellow, w/Hose Protectors
29----	AP7100	Hose Protector, Black (for Flex Hose)
-----	AP7100Y	Hose Protector, Yellow (for Flex Hose)
30----	AP1409P	O-ring (10 pk)

Part numbers in **BOLD ITALICS** indicate standard overhaul replacement part.

XTX200/100/50 Series

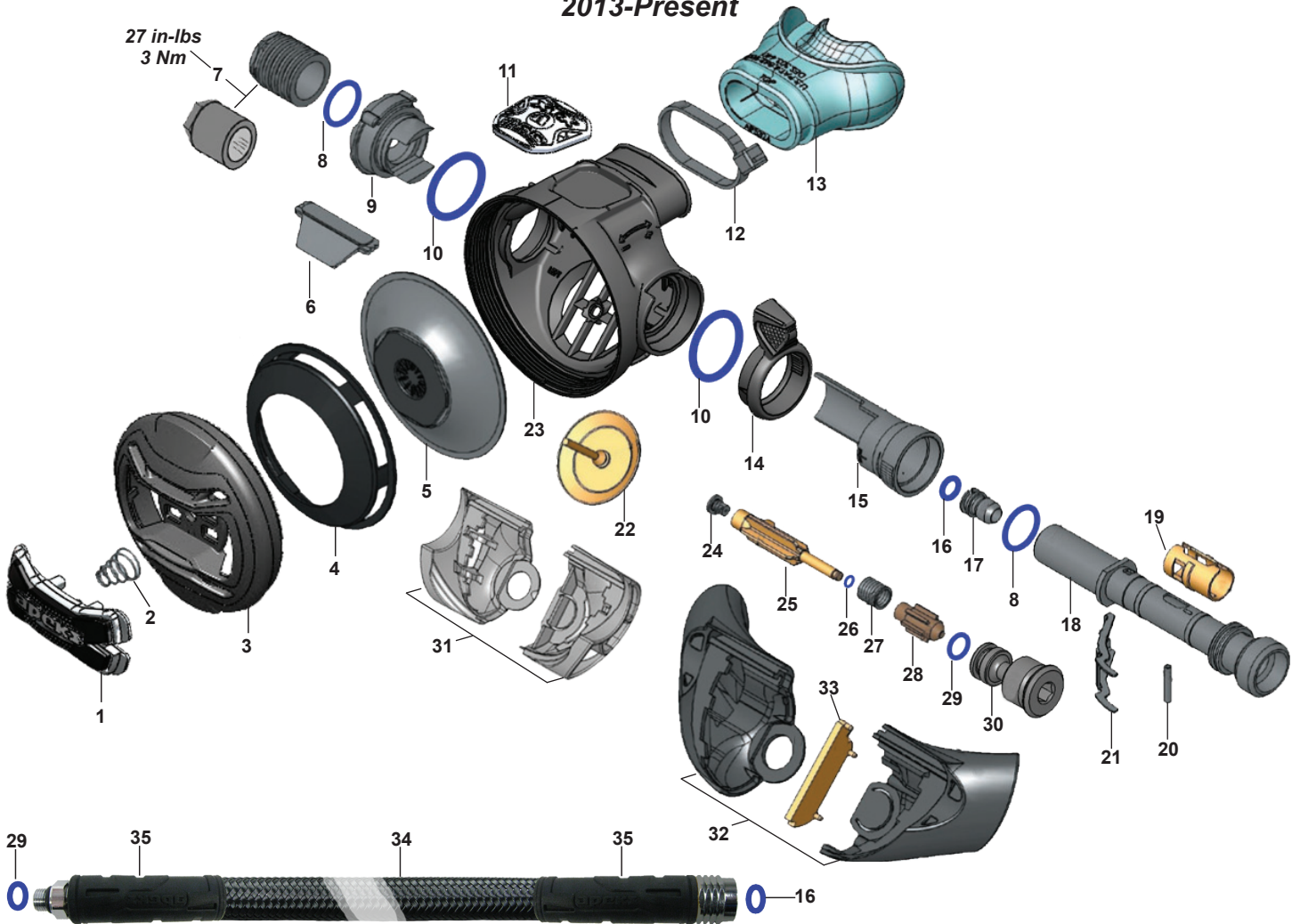
2013-Present



Key #	Part #	Description	Key #	Part #	Description
----	AP0219/AA	Universal Second Stage Repair Kit	13	AP5324K	Comfobite Mouthpiece
----	AP0354F	XTX200 Tungsten, Second Stage	14	AP6309	Venturi Ring
----	AP0353F2	XTX200, Second Stage	----	AP6309Y	Venturi Ring, Yellow, Octopus
----	AP0352F	XTX50, Second Stage	15	AP6213	Venturi Lever Body
1	AP0624	Purge Button, Chrome, Tungsten/XTX200	16	AP1154P	O-ring (10 pk)
----	AP0624S	Purge Button, Satin, XTX100	17	AP2033	Seat
----	AP0624B	Purge Button, Black, XTX50	18	AP6216	Valve Spindle, Chrome, Tungsten/XTX200/50
----	AP0624Y	Purge Button, Yellow, XTX50 Octopus	----	AP6216S	Valve Spindle, Satin, XTX100
2	AP6222	Spring	19	AP6215	Spindle Collar
3	AP6302PVDS	Case Cover, Tungsten	20	AP1151	Spring Pin
----	AP6302	Case Cover, XTX200	21	AP2035	Lever
----	AP6302S	Case Cover, XTX100	22	AP6223	Exhaust Valve
----	AP6301	Case Cover, XTX50	23	AP6300	Case
----	AP6301Y	Case Cover, Octopus, Yellow	24	AP2034	MP Seat
4	AP5802	Diaphragm Cover, Black	25	AP2036	Shuttle Valve
----	AP5802/C	Diaphragm Cover, Chrome, XTX50	26	AP2041P	O-ring (10 pk)
5	AP5803	Diaphragm	27	AP2021	Spring
6	AP2037	Deflector	28	AP2038	Counter Balance Cylinder
7	AP5013PVDS	Heat Exchanger, PVD, Tungsten	29	AP1409P	O-ring (10 pk)
----	AP5002	Heat Exchanger, Chrome, XTX200/50	30	AP6577FPVDS	Adjusting Screw, Tungsten
----	AP5013/S	Heat Exchanger, Satin, XTX100	----	AP6577F	Adjusting Screw, Chrome, XTX200/50
8	AP1267P	O-ring (10 pk)	----	AP6577FS	Adjusting Screw, Satin, XTX100
9	AP6211	Blanking Piece	31	AP5711P	O-ring (10 pk)
----	AP6211Y	Blanking Piece, Yellow, Octopus	32	AP1159P	O-ring (10 pk)
10	AP1438P	O-ring (10 pk)	33	AP6578	Spring Adjuster
11	AP6238F	Decal, Tungsten	34	AP5830	Plug
----	AP63082200	Decal, XTX200	35	AP6220K	Large Exhaust Tee, Set
----	AP6308100	Decal, XTX100	36	AP6230	Exhaust Rib
----	AP630750	Decal, XTX50	37	AP6219K	Small Exhaust Tee, Set
----	AP6307050	Decal, XTX50 Octopus	38	AP0198	Flex Hose, MP, w/Hose Protectors, 3/8" X 30"
12	104913	Mouthpiece Clamp	----	AP0199	Flex Hose, MP, Yellow w/Hose Pro, 3/8" X 36"
			39	AP6236	Hose Protector, Black (for Flex Hose)
			----	AP6236Y	Hose Protector, Yellow (for Flex Hose)

Part numbers in **BOLD ITALICS** indicate standard overhaul replacement part.

XTX40/20 Series 2013-Present



Key #	Part #	Description
-------	--------	-------------

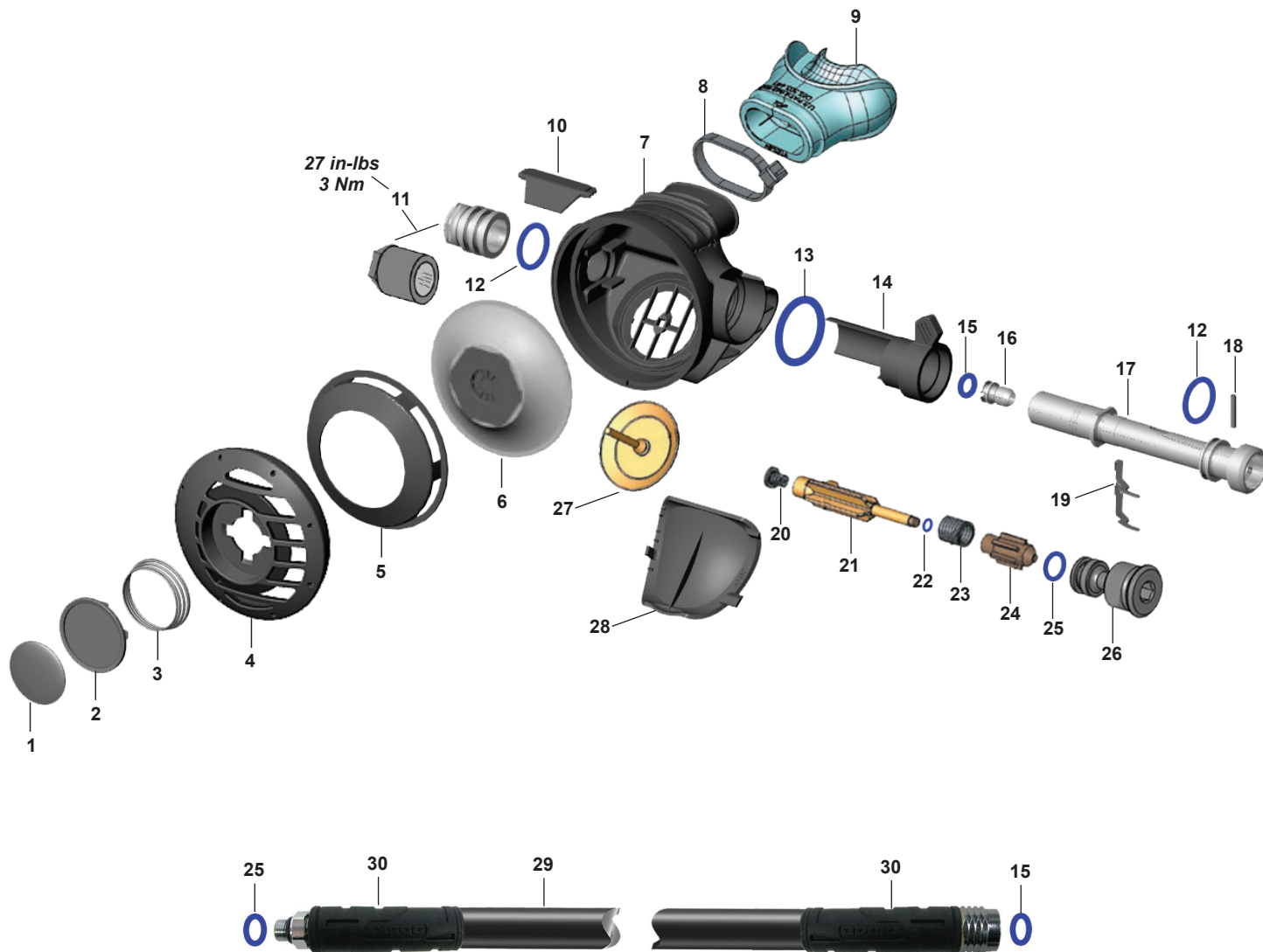
-----	AP0219/AA	Universal Second Stage Repair Kit
-----	AP0351F	XTX40, Second Stage
-----	AP0350F	XTX20, Second Stage
1 ----	AP0624B	Purge Button, Black, XTX40/20
-----	AP0624Y	Purge Button, Yellow, XTX Oxy/Octopus
2 ----	AP6222	Spring
3 ----	AP6301	Case Cover, XTX40/20
-----	AP6301Y	Case Cover, Yellow
-----	AP6301G	Case Cover, Green, XTX40 Oxy
4 ----	AP5802	Diaphragm Cover
5 ----	AP5803	Diaphragm
6 ----	AP2037	Deflector
7 ----	AP5002	Heat Exchanger, Chrome, XTX40
-----	AP5003	Spacer, XTX20
8 ----	AP1267P	O-ring (10 pk)
9 ----	AP6211	Blanking Piece
-----	AP6211Y	Blanking Piece, Yellow
-----	AP6211G	Blanking Piece, Green, XTX40 Oxy
10 ----	AP1438P	O-ring (10 pk)
11 ----	AP630740	Decal, XTX40
-----	AP630720	Decal, XTX20
-----	AP6307G40	Decal, XTX40 Oxy
-----	AP6307O40	Decal, XTX40 Octopus
-----	AP6307O20	Decal, XTX20 Octopus
12 ----	104913	Mouthpiece Clamp
13 ----	AP5324K	Comfobite Mouthpiece
-----	AP5324G	Comfobite Mouthpiece, Green, XTX40 Oxy
-----	104138	Mouthpiece, Standard, Octopus

Key #	Part #	Description
-------	--------	-------------

14 ----	AP6309	Venturi Ring
-----	AP6309Y	Venturi Ring, Yellow
-----	AP6309G	Venturi Ring, Green, XTX40 Oxy
15 ----	AP6213	Venturi Lever Body
16 ----	AP2033	Seat
17 ----	AP1154P	O-ring (10 pk)
18 ----	AP6216	Valve Spindle, Chrome
19 ----	AP6215	Spindle Collar
20 ----	AP1151	Spring Pin
21 ----	AP2035	Lever
22 ----	AP6223	Exhaust Valve Case, XTX
23 ----	AP6300	Case, XTX
24 ----	AP2034	MP Seat
25 ----	AP2036	Shuttle Valve
26 ----	AP2041P	O-ring (10 pk)
27 ----	AP2021	Spring
28 ----	AP2038	Counter Balance Cylinder
29 ----	AP1409P	O-ring (10 pk)
30 ----	AP2029-1	Adjusting Screw
31 ----	AP6219K	Small Exhaust Tee, Set
-----	AP6219G	Small Exhaust Tee, Set, Green, XTX40 Oxy
32 ----	AP6220K	Large Exhaust Tee, Set
33 ----	AP6230	Exhaust Rib
34 ----	AP0198	Flex Hose, MP,w/Hose Protectors, 3/8" X 29"
-----	AP0199	Flex Hose, MP, Yellow,w/Hose Pro, 3/8" X 36"
35 ----	AP6236	Hose Protector, Black (for Flex Hose)
-----	AP6236Y	Hose Protector, Yellow (for Flex Hose)

Part numbers in **BOLD ITALICS** indicate standard overhaul replacement part.

ATX40 • AT20
2002-Present



Key #	Part #	Description
----	AP0219/AA	Universal Second Stage Repair Kit
1----	AP5821	Decal, ATX40
----	AP5822	Decal, AT20
2----	AP5805	Purge Button
3----	AP2020	Spring
4----	AP5804	Case Cover
----	AP5807/Y	Case Cover, Yellow, Octopus
5----	AP5802	Diaphragm Cover
6----	AP5803	Diaphragm
7----	AP5800	Case
8----	104913	Mouthpiece Clamp
9----	AP5324K	Mouthpiece, Comfobite
----	104138	Mouthpiece, Standard, Octopus
10----	AP2037	Deflector
11----	AP5002	Heat Exchanger, ATX40
----	AP5003	Spacer, AT20
12----	AP1267P	O-ring (10 pk)
13----	AP1438P	O-ring (10 pk)
14----	AP2039	Venturi Lever
----	AP2039/Y	Venturi Lever, Yellow, Octopus

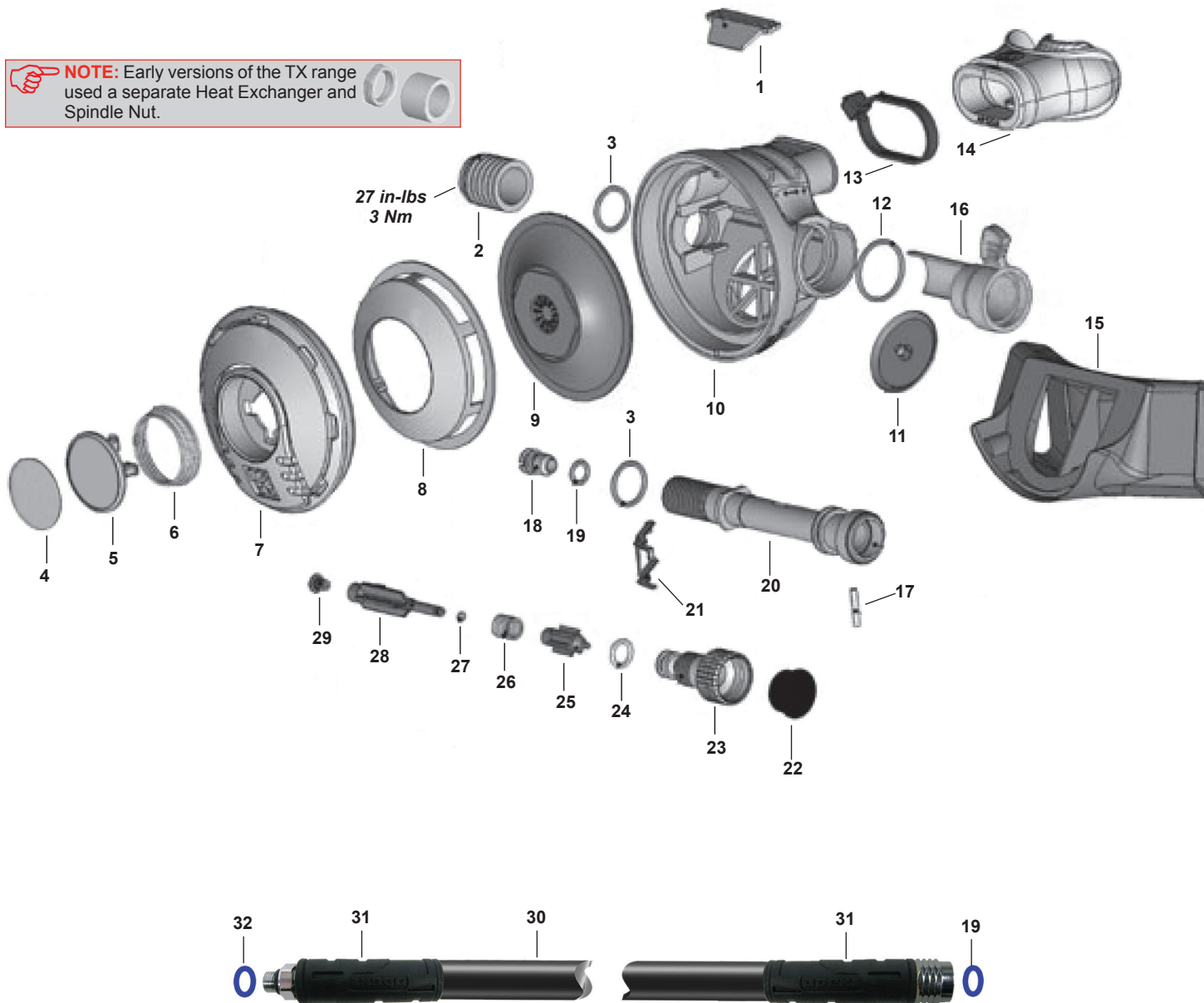
Key #	Part #	Description
15----	AP1154P	O-ring (10 pk)
16----	AP2033	Seat
17----	AP2028	Valve Spindle
18----	AP1151	Spring Pin
19----	AP2035	Lever
20----	AP2034	MP Seat
21----	AP2036	Shuttle Valve
22----	AP2041P	O-ring (10 pk)
23----	AP2021	Spring
24----	AP2038	Counter Balance Cylinder
25----	AP1409P	O-ring (10 pk)
26----	AP2029-1	Adjusting Screw
27----	AP1429	Exhaust Valve
28----	AP5801	Cover, Exhaust Valve
----	AP5801/Y	Cover, Exhaust Valve, Yellow
29----	AP0203	Hose, MP, 1/2" X 29"
----	AP0203/1	Hose, MP, 3/8" X 29"
----	AP0206	Hose, MP, Octopus, Yellow, 3/8" X36"
30----	AP1461	Hose Protector, Black (Std.Hose)
----	AP1461Y	Hose Protector, Yellow (Std.Hose)
N/S----	AP1410P	O-ring, Hose End, Male 1/2" (10 pk)

Part numbers in **BOLD ITALICS** indicate standard overhaul replacement part.

TX50

2001-Present (Military Only)

NOTE: Early versions of the TX range used a separate Heat Exchanger and Spindle Nut.

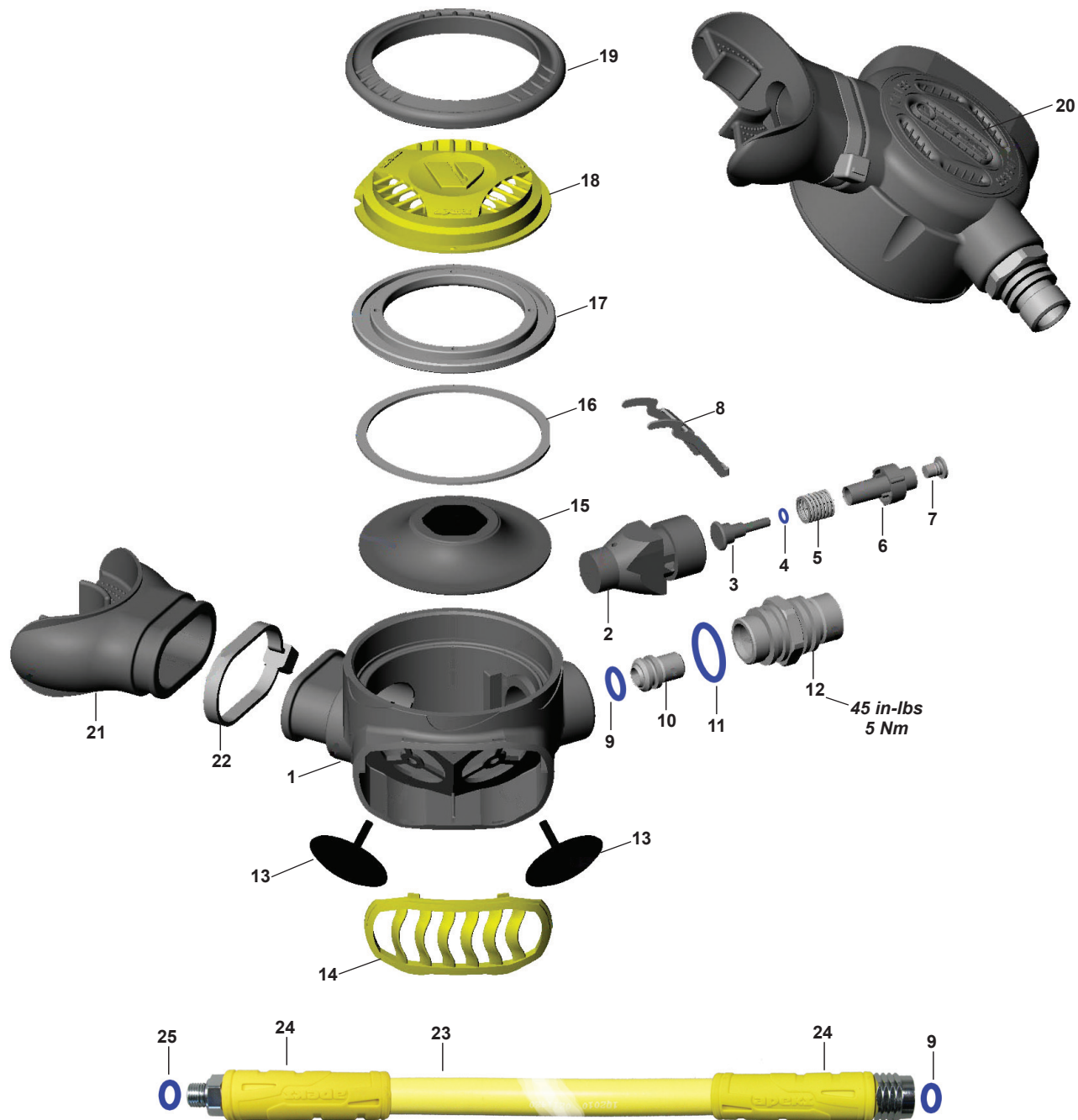


Key #	Part #	Description
-----	AP0219/AA	Universal Second Stage Repair Kit
-----	AP0510SQ	TX50, Second Stage
1----	AP2037	Deflector
2----	AP5002	Heat Exchanger, TX50
3----	AP1267P	O-Ring (10 pk)
4----	AP5015	Decal, Apeks
5----	AP2053	Purge Button
6----	AP2020	Spring
7----	AP2026	Case Cover, TX50
-----	AP2026/Y	Case Cover, Yellow, Octopus or Nitrox
8----	AP2025	Diaphragm Cover
9----	AP2023	Diaphragm
10----	AP5001	Case
11----	AP1429	Exhaust Valve
12----	AP1438P	O-Ring (10 pk)
13----	104913	Mouthpiece Clamp
14----	AP5324K	Mouthpiece, Comfobite

Key #	Part #	Description
15----	AP2040	Exhaust Tee
16----	AP2039	Venturi Lever, TX50
17----	AP1151	Spring Pin
18----	AP2033	Seat
19----	AP1154P	O-Ring (10 pk)
20----	AP2028	Valve Spindle, TX50
21----	AP2035	Lever
22----	AP2030	Plug
23----	AP2029	Adjusting Screw, TX50
24----	AP1409P	O-Ring (10 pk)
25----	AP2038	Counter Balance Cylinder
26----	AP2021	Valve Spring
27----	AP2041P	O-Ring (10 pk)
28----	AP2036	Shuttle Valve
29----	AP2034	MP Seat
30----	AP0203	Hose, MP, 1/2" X 29"
31----	AP1461	Hose Protector, Black (Std.Hose)
32----	AP1410P	O-ring, Hose End. Male 1/2" (10 pk)

Part numbers in **BOLD ITALICS** indicate standard overhaul replacement part.

Egress 2004-Present

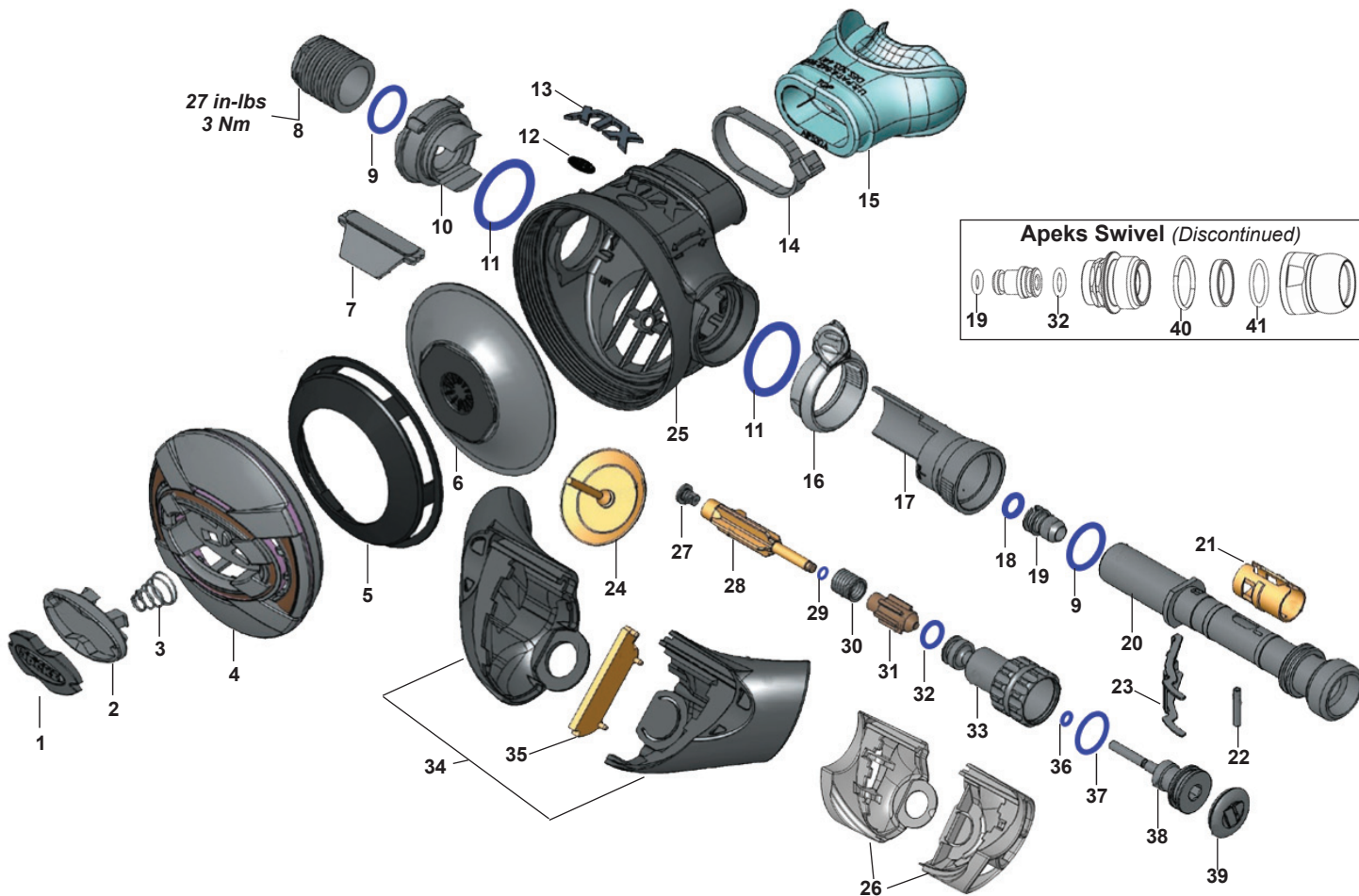


Key #	Part #	Description
-----	AP0219/AA	Universal Second Stage Repair Kit
1----	AP7550	Egress Case
2----	AP7560	Egress Spindle Body
3----	AP7562	Egress Spring Carrier
4----	AP5711P	O-ring (10 pk)
5----	AP2021	Valve Spring
6----	AP5707	Egress Shuttle Valve
7----	AP2034	MP Seat
8----	AP2035	Lever
9----	AP1154P	O-ring (10 pk)
10----	AP7563	Egress Valve Seat
11----	AP1267P	O-ring (10 pk)
12----	AP7561	Egress Inlet Fitting

Key #	Part #	Description
13----	100122	Exhaust Valve
14----	AP7558	Egress Exhaust Gate
15----	AP7553	Egress Diaphragm
16----	AP7554	Egress Friction Ring
17----	116923	Inner Locking Ring
18----	AP7556	Egress Front Cover
19----	AP7557	Egress Front Locking Ring
20----	NLA	Egress Decal
21----	104138	Mouthpiece
22----	104913	Mouthpiece Clamp
23----	AP0206	Hose, MP, Octopus, Yellow, 3/8" X 36"
24----	AP1461Y	Hose Protector, Yellow (Std.Hose)
25----	AP1409P	O-ring, Hose End, Male, (10 pk)

Part numbers in **BOLD ITALICS** indicate standard overhaul replacement part.

XTX200/100/50 Series
 2006-2012 *discontinued*



Key # Part # Description

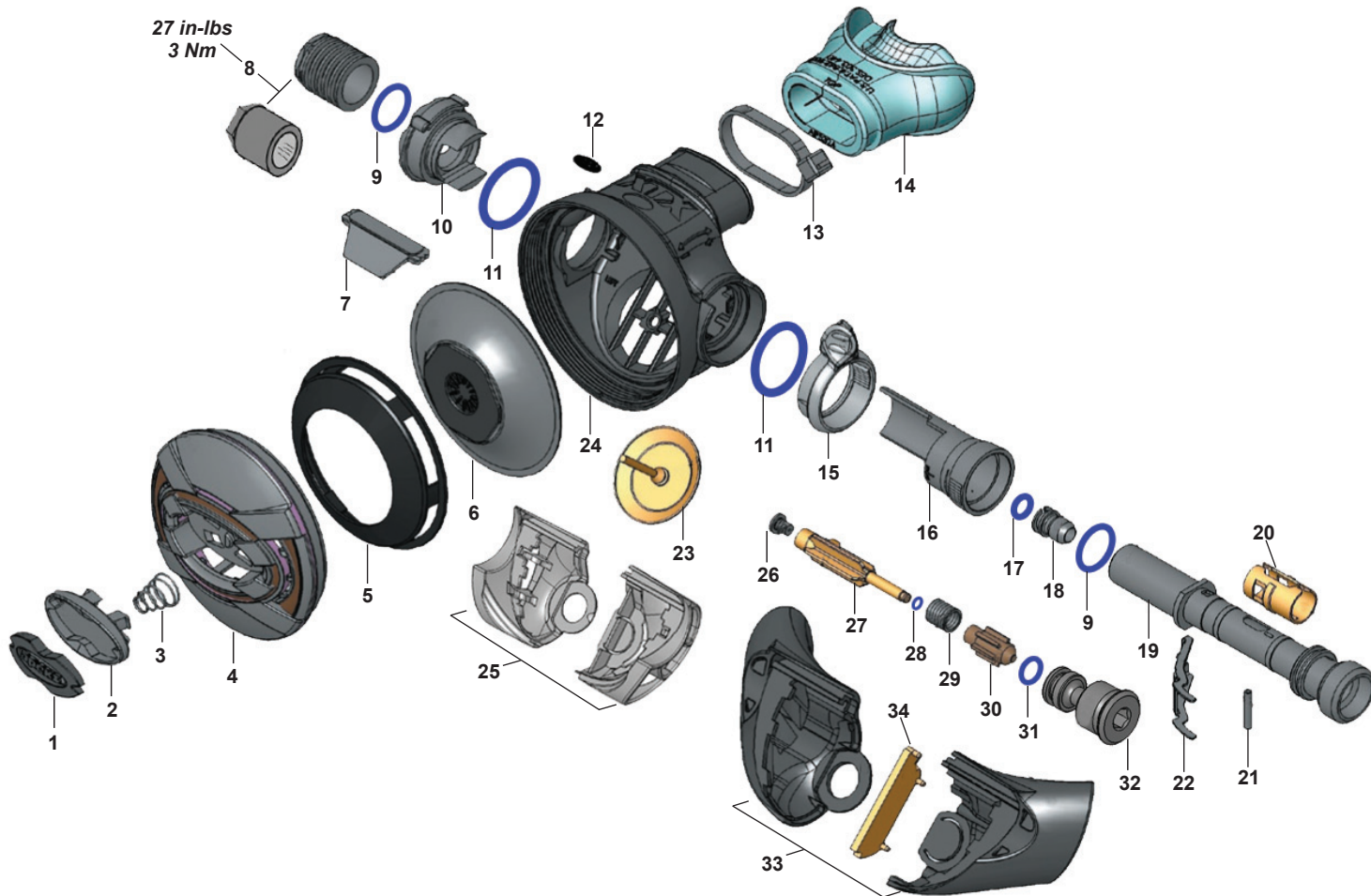
- **AP0219/AA** **Universal Second Stage Repair Kit**
- **AP0249** **Service Kit, Swivel Hose**
- 1 ---- AP6224 Decal
- 2 ---- AP6214 Purge Button
- AP6214Y Purge Button, Yellow
- 3 ---- AP6222 Spring
- 4 ---- AP6217PVDS Case Cover, Tungsten
- AP6217 Case Cover, XTX200/XTX100
- AP6218 Case Cover, XTX50
- AP6218Y Case Cover, Yellow
- 5 ---- AP5802 Diaphragm Cover
- 6 ---- AP5803 Diaphragm
- 7 ---- AP2037 Deflector
- 8 ---- AP5013PVDS Heat Exchanger, PVD, Tungsten
- AP5002 Heat Exchanger, Chrome, XTX200/50
- AP5013/S Heat Exchanger, Satin, XTX100
- 9 ---- AP1267P O-ring (10 pk)**
- 10 ---- AP6211 Blanking Piece
- AP6211Y Blanking Piece, Yellow
- 11 ---- AP1438P O-ring (10 pk)**
- 12 ---- AP6238 Decal, Tungsten
- AP6225 Decal, XTX200
- AP6226 Decal, XTX100
- AP6227 Decal, XTX50
- 13 ---- AP6221B XTX Decal, XTX200, Tungsten
- AP6221S XTX Decal, XTX100
- AP6221GREY XTX Decal, XTX50
- AP6221Y XTX Decal, XTX50 Octopus
- 14 ---- 104913 Mouthpiece Clamp**

Key # Part # Description

- 15 ---- AP5324K Comfobite Mouthpiece
- 104138 Mouthpiece, Standard, Octopus
- 16 ---- AP6212 Venturi Ring
- AP6212Y Venturi Ring, Yellow
- 17 ---- AP6213 Venturi Lever Body
- 18 ---- AP1154P O-ring (10 pk)**
- 19 ---- AP2033 Seat
- 20 ---- AP6216 Valve Spindle, Chrome, XTX200/50
- AP6216S Valve Spindle, Satin, XTX100
- 21 ---- AP6215 Spindle Collar
- 22 ---- AP1151 Spring Pin
- 23 ---- AP2035 Lever
- 24 ---- AP6223 Exhaust Valve
- 25 ---- AP6210 Case
- 26 ---- AP6219K Small Exhaust Tee, Set
- 27 ---- AP2034 MP Seat**
- 28 ---- AP2036 Shuttle Valve
- 29 ---- AP2041P O-ring (10 pk)**
- 30 ---- AP2021 Spring
- 31 ---- AP2038 Counter Balance Cylinder
- 32 ---- AP1409P O-ring (10 pk)**
- 33 ---- AP6577PVDS Adjusting Screw, PVD, Tungsten
- AP6577 Adjusting Screw, Chrome, XTX200/50
- AP6577/S Adjusting Screw, Satin, XTX100
- 34 ---- AP6220K Large Exhaust Tee, Set
- 35 ---- AP6230 Exhaust Rib
- 36 ---- AP5711P O-ring (10 pk)**
- 37 ---- AP1159P O-ring (10 pk)**
- 38 ---- AP6578 Spring Adjuster
- 39 ---- AP5830 Plug

Part numbers in **BOLD ITALICS** indicate standard overhaul replacement part.

XTX40/20 Series
 2006-2012 *discontinued*



Key # Part # Description

-----	AP0219/AA	Universal Second Stage Repair Kit
1----	AP6224	Decal
-----	AP6224N	Decal, Nitrox, XTX40 Oxy
2----	AP6214	Purge Button
-----	AP6214Y	Purge Button, Yellow
3----	AP6222	Spring
4----	AP6218	Case Cover
-----	AP6218Y	Case Cover, Yellow
-----	AP6218G	Case Cover, Green, XTX40 Oxy
5----	AP5802	Diaphragm Cover
6----	AP5803	Diaphragm
7----	AP2037	Deflector
8----	AP5002	Heat Exchanger, XTX40
-----	AP5003	Spacer, XTX20
9----	AP1267P	O-ring (10 pk)
10----	AP6211	Blanking Piece
-----	AP6211Y	Blanking Piece, Yellow
-----	AP6211G	Blanking Piece, Green, XTX40 Oxy
11----	AP1438P	O-ring (10 pk)
12----	AP6228	Decal, XTX40
-----	AP6228N	Decal, XTX40 Nitrox, XTX40 Oxy
-----	AP6229	Decal, XTX20
13----	104913	Mouthpiece Clamp

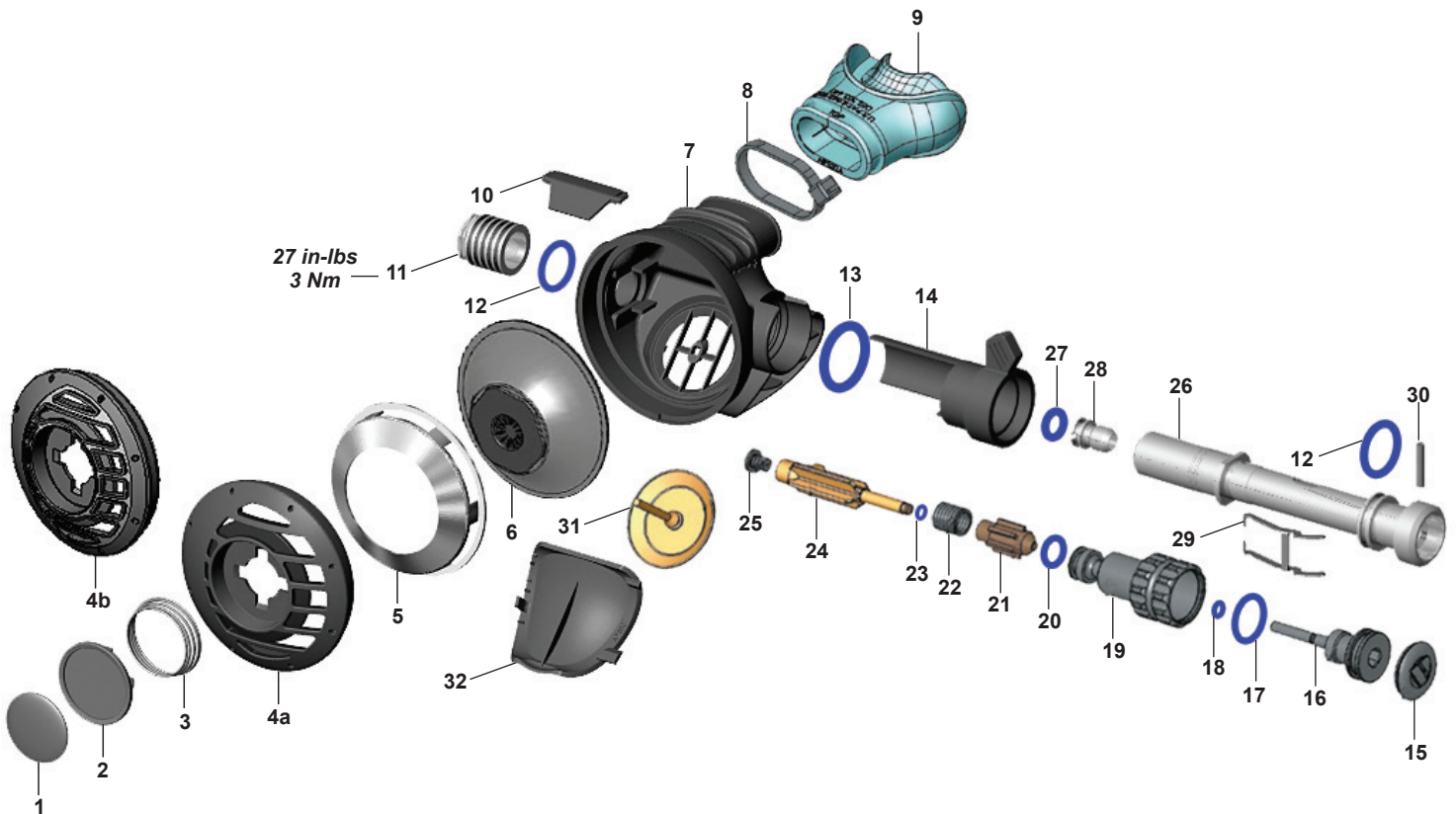
Key # Part # Description

14----	AP5324K	Comfobite Mouthpiece
-----	AP5324G	Comfobite Mouthpiece, Green, Oxy
-----	104138	Mouthpiece, Standard, Octopus
15----	AP6212	Venturi Ring
-----	AP6212Y	Venturi Ring, Yellow
-----	AP6212G	Venturi Ring, Green, XTX40 Oxy
16----	AP6213	Venturi Lever Body
17----	AP1154P	O-ring (10 pk)
18----	AP2033	Seat
19----	AP6216	Valve Spindle
20----	AP6215	Spindle Collar
21----	AP1151	Spring Pin
22----	AP2035	Lever
23----	AP6223	Exhaust Valve
24----	AP6210	Case
25----	AP6219K	Small Exhaust Tee, Set
-----	AP6219G	Small Exhaust Tee, Set, Green, XTX40 Oxy
26----	AP2034	MP Seat
27----	AP2036	Shuttle Valve
28----	AP2041P	O-ring (10 pk)
29----	AP2021	Spring
30----	AP2038	Counter Balance Cylinder
31----	AP1409P	O-ring (10 pk)
32----	AP2029-1	Adjusting Screw
33----	AP6220K	Large Exhaust Tee, Set
34----	AP6230	Exhaust Rib

Part numbers in **BOLD ITALICS** indicate standard overhaul replacement part.

ATX200/100/50 Series

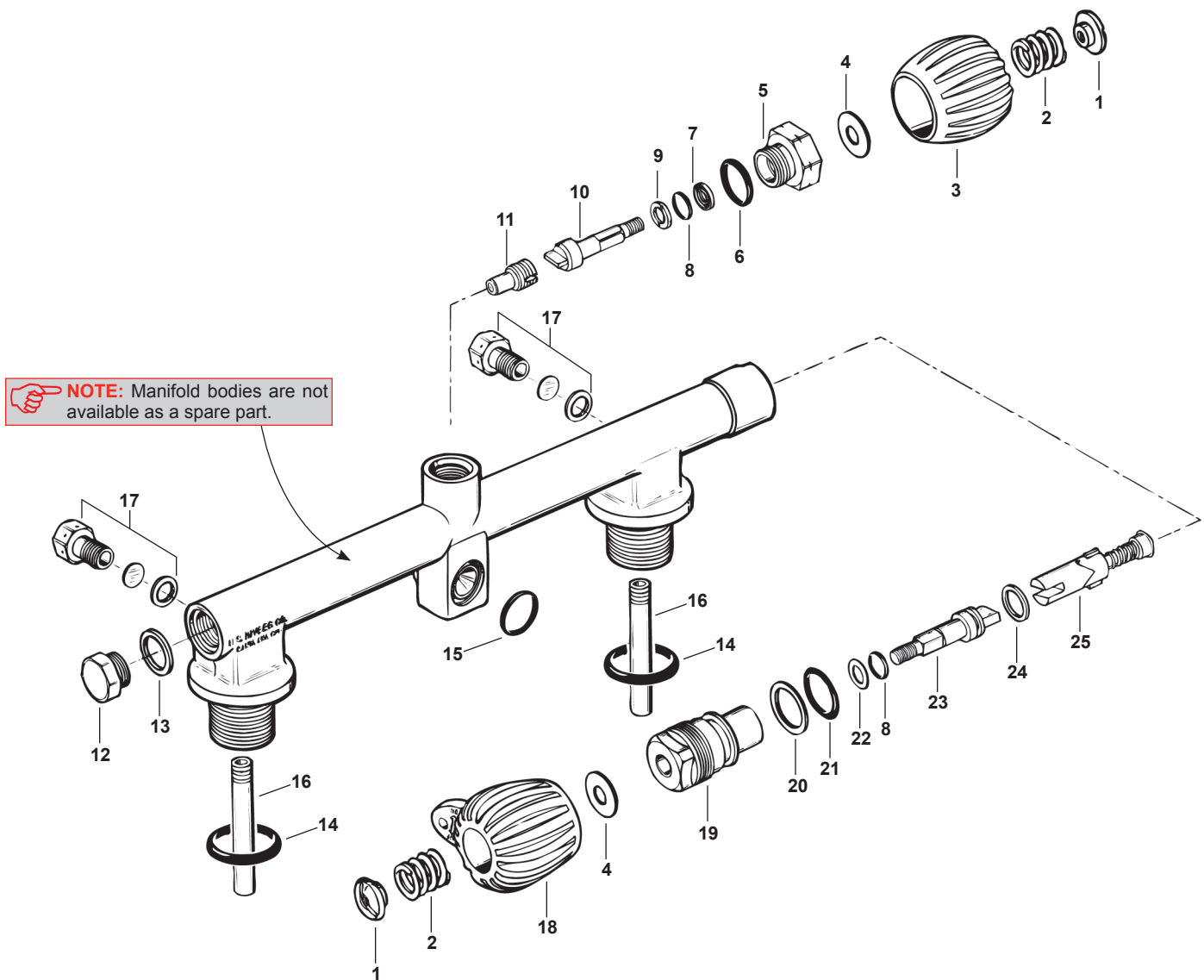
2002-2008 **discontinued**



Key #	Part #	Description	Key #	Part #	Description
----- AP0219/AA Universal Second Stage Repair Kit					
1	AP5819	Decal, ATX200	15	AP5830	Plug
	NLA	Decal, ATX100	16	AP6578	Spring Adjuster
	AP5015	Decal, Apeks	17	AP1159P	O-ring (10 pk)
	NLA	Decal, Tungsten	18	AP5711P	O-ring (10 pk)
2	AP5805	Purge Button	19	AP6577PVDS	Adjusting Knob, PVD, Tungsten
3	AP2020	Spring		AP6577/S	Adjusting Knob, ATX200/ATX100
4a	AP5804	Case Cover, ATX200/100/50		AP6577	Adjusting Knob, ATX50
	AP5807/Y	Case Cover, ATX50 Octopus, Yellow	20	AP1409P	O-ring (10 pk)
4b	NLA	Case Cover, Tungsten	21	AP2038	Counter Balance Cylinder
5	AP5802/C	Diaphragm Cover, Tungsten/ATX200/ATX100	22	AP2021	Spring
	AP5802	Diaphragm Cover, ATX50	23	AP2041P	O-ring (10 pk)
6	AP5803	Diaphragm	24	AP2036	Shuttle Valve
7	AP5800	Case	25	AP2034	MP Seat
8	104913	Mouthpiece Clamp	26	AP2028/S	Valve Spindle, ATX200/ATX100
9	AP5324K	Mouthpiece, Comfobite		AP2028	Valve Spindle, Tungsten/ATX50
	104138	Mouthpiece, Standard, Octopus	27	AP1154P	O-ring (10 pk)
10	AP2037	Deflector	28	AP2033	Seat
11	AP5013PVDS	Heat Exchanger, PVD, Tungsten	29	AP2035	Lever
	AP5013/S	Heat Exchanger, ATX200/ATX100	30	AP1151	Spring Pin
	AP5002	Heat Exchanger, ATX50	31	AP1429	Exhaust Valve
12	AP1267P	O-ring (10 pk)	32	AP5801	Cover, Exhaust Valve
13	AP1438P	O-ring (10 pk)		AP5801GREY	Cover, Exhaust Valve, Grey, Tungsten
14	AP2039	Venturi Lever		AP5801/Y	Cover, Exhaust Valve, Yellow
	AP2039/Y	Venturi Lever, Yellow, ATX50 Octopus			

Part numbers in **BOLD ITALICS** indicate standard overhaul replacement part.

Twin Tank Manifold w/Reserve (Military Only)

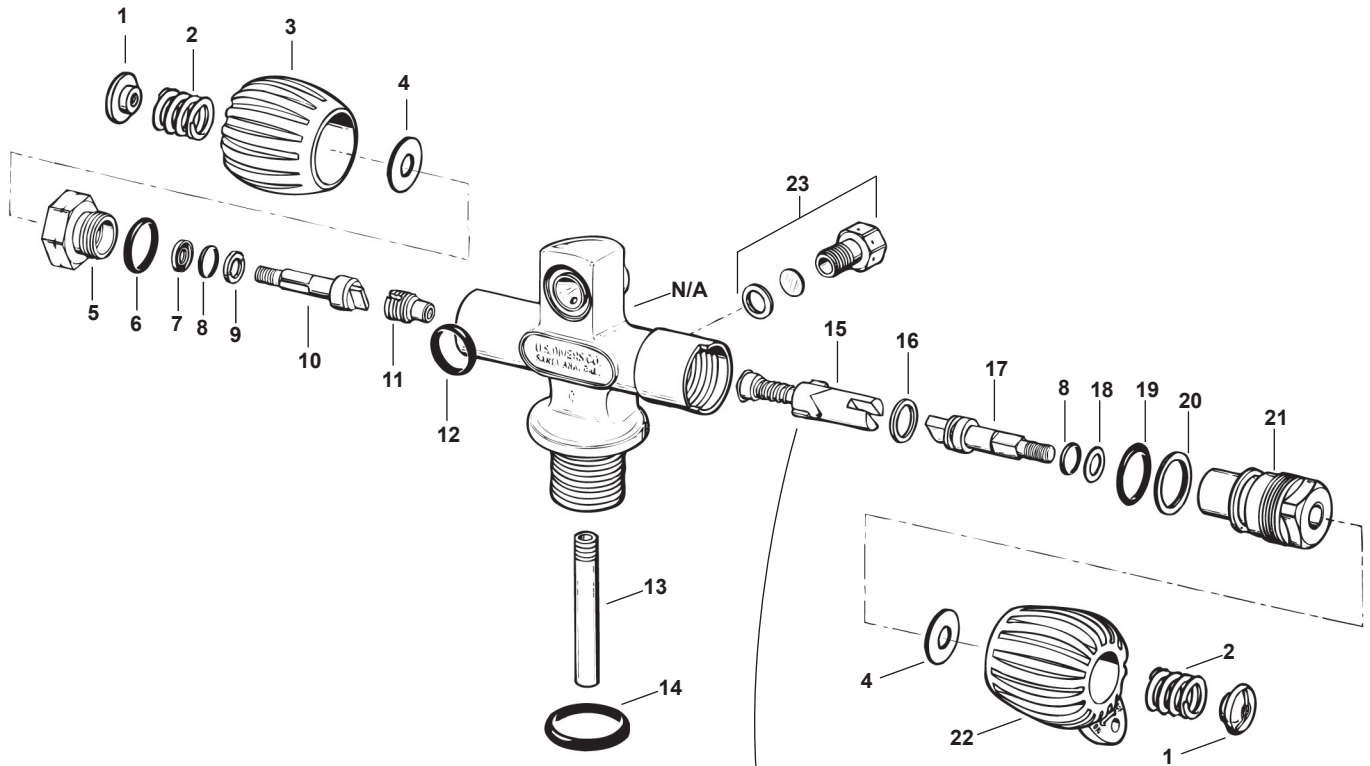


Key #	Part #	Description
-----	280000	Twin Manifold, 3000 psi
1----	052518	Nut, Handle Retaining
2----	050107	Spring
3----	052541	Handwheel
4----	845058	Washer
5----	050233	Bonnet
6----	957007P	O-ring (10 pk)
7----	828510	Back-up Ring
8----	820010P	O-ring (25 pk)
9----	921019	Gasket
10----	052521	Stem, K-Valve
11----	280013	Seat, Std. Twin
12----	050221	Plug
13----	821011	Gasket

Key #	Part #	Description
14----	820214P	O-ring (10 pk)
15----	820120P	O-ring (10 pk)
16----	051821	Dip Tube
17----	050241	Safety Disc Assembly, 3000 psi
-----	050242	Safety Disc Assembly, 2250 psi
18----	280040	Handwheel, Reserve
19----	052515	Bonnet
20----	828515	Back-up Ring
21----	820015P	O-ring (10 pk)
22----	821014	Gasket
23----	052514	Stem, J-Valve
24----	845021	Washer
25----	052508	Reserve Assembly
N/S----	074305	Reserve Pull Rod

Part numbers in **BOLD ITALICS** indicate standard overhaul replacement part.

J-Valve (Military Only)



NOTE: Reserve Assembly (PN 052548) is to be used on valves which have "Japan" stamped on the base of the valve body. If replacement of the reserve assembly is required, do not use the 052508 reserve assembly in valves stamped with "Japan". The 052548 reserve assembly is dyed red to differentiate between the reserve assemblies.

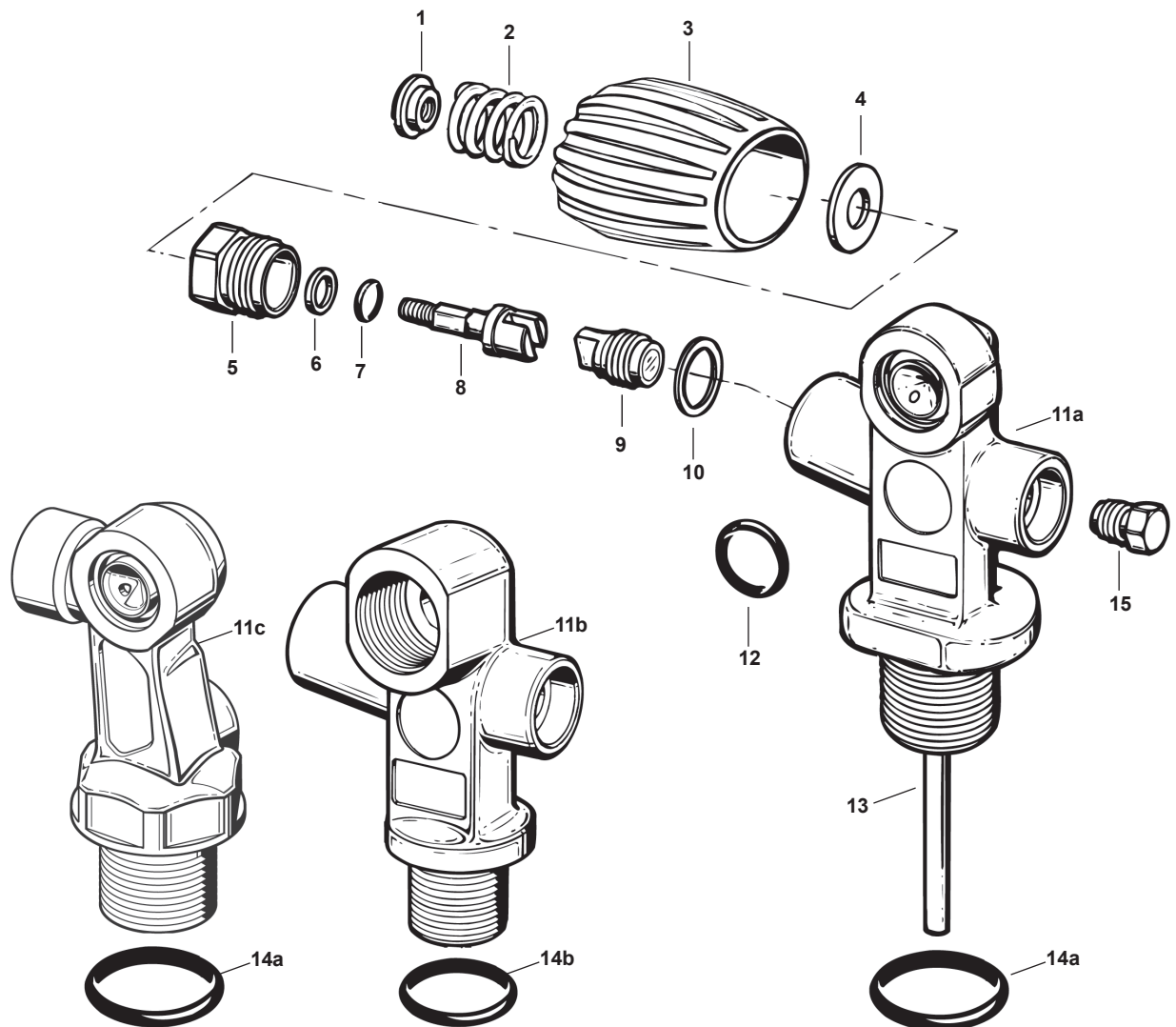
Key #	Part #	Description
	054500	J-Valve (3000 psi)
1	052518	Nut, Handle Retaining
2	050107	Spring
3	052541	Handwheel
4	845058	Washer
5	050233	Bonnet, Left Handed Thread
	050216	Bonnet, Right Handed Thread
6	957007P	O-ring (10 pk)
7	828510	Back-up ring
8	820010P	O-ring (25 pk)
9	921019	Thrust Washer
10	052521	Stem
11	052519	Seat
12	820120P	O-ring (10 pk)
13	051821	Dip Tube

Key #	Part #	Description
14	820214P	O-ring (10 pk)
15	052508	Reserve Assembly
	052548	Reserve Assembly, Red (SEE NOTE)
16	845021	Washer
17	052514	Stem, Reserve
18	821014	Gasket
19	820015P	O-ring (10 pk)
20	828515	Back-up Ring
21	214204	Bonnet
22	052540	Handwheel, Reserve
23	050241	Safety Disc Assembly, 3000 psi
	050242	Safety Disc Assembly, 2250 psi
N/S	074305	Reserve Pull Rod

Part numbers in **BOLD ITALICS** indicate standard overhaul replacement part.

K-Valve • DIN Valve • Z-Valve Air • (by Thermo)

Discontinued



Key #	Part #	Description
-----	5240-KIT	Service Kit, K- or Z-Valve, 3000 psi Only
1----	054207	Nut, Handwheel Retaining
2----	054209	Spring, Handwheel
3----	52406A	Handwheel
4----	054212	Washer
5----	054204	Bonnet
6----	054205	Washer, Packing
7----	820010P	O-ring, Stem (25 pk)
8----	054208	Stem
9----	054203	Seat Assembly
10----	054216	Gasket, Bonnet
11a---	NLA	Body, K-Valve

Key #	Part #	Description	
11b---	NLA	Body, DIN Valve	
11c---	NLA	Body, Z-Valve	
12----	820014P	O-ring, Outlet (25 pk)	
13----	054215	Dip Tube	
14a---	820214P	O-ring, K-Valve (10 pk)	
14b---	054114	O-ring, DIN Valve	
15----	054201	Safety Plug Kit, 3,000 psi (Aluminum)	
	-----	054261	Safety Plug Kit, 3,500 psi (HP Steel)
	-----	054221	Safety Plug Kit, 2,400 psi (LP Steel)
	-----	054211	Safety Plug Kit, 2,250 psi (LP Steel)
N/S---	42485	Dust Cap, K-Valve	
N/S---	054228	Dust Cap, Z-Valve	

Part numbers in **BOLD ITALICS** indicate standard overhaul replacement part.

Airsource 3 w/QD Fitting 2010-Present

Airsource 3 w/Cut-Off Valve 2008-2011 *discontinued*

Key # Part # Description

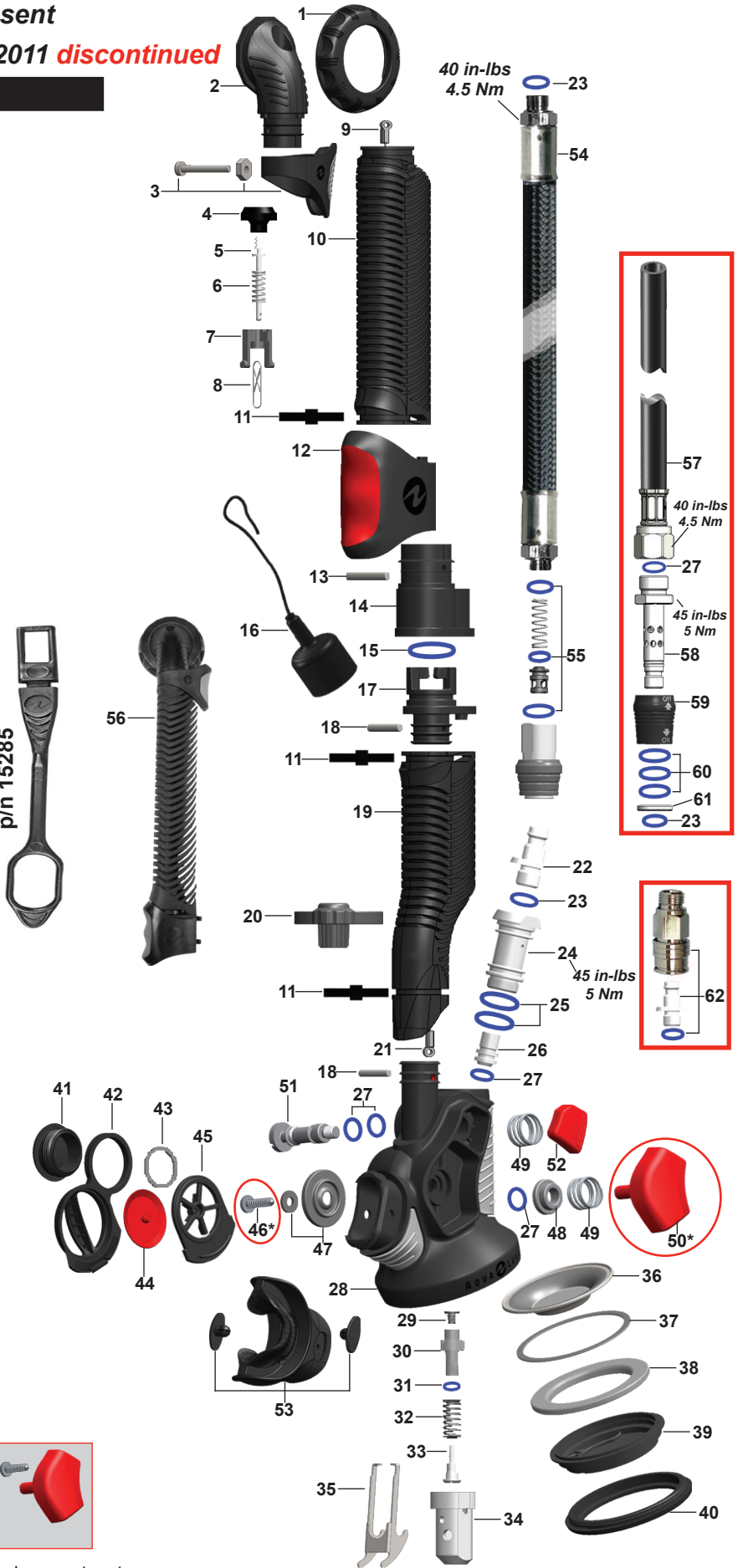
..... **900021** **Overhaul Parts Kit, Airsource 3**
 **42639** **O-ring Kit, Airsource QD Hose**

- 1..... 15763 Collar
- 2..... 15161 Elbow
- 3..... 15281 Clip, Nut & Screw, Charcoal
- 15179 Clip, Nut & Screw, Grey
- 4 778559 Poppet, Dump Valve**
- 5..... 15164 Stem, Poppet
- 6..... 15215 Spring, Pull Dump, S/S
- 7..... 15162 Guide, Poppet
- 8..... 15178 Hook, Inflator Cable
- 9..... 15163 Cable, Upper 7.6"
- 10..... 15170 Hose, Upper
- 11..... 15719 Clamp**
- 12..... 15174 Trim-Grip, Ring
- 13..... 15172 Pin
- 14..... 15173 Trim-Grip, Top
- 15..... 820018P O-ring (20 pk)**
- 16..... 15226 Dust Cap, for Trim Grip
- 17..... 15178 Trim Grip, Bottom
- 18..... 15177 Pin
- 19..... 15171 Hose, Lower
- 20..... 15029 QD Fitting Cover
- 21 15176 Cable, Lower, 6.4"
- 22 15203 QD Fitting
- 23..... 820011P O-ring (25 pk)**
- 24..... 15196 Inlet Fitting
- 25..... 820015P O-ring (10 pk)**
- 26..... 15220 Crown
- 27..... 820010P O-ring (25 pk)**
- 28..... 15181 Body
- 29..... 15221 MP Seat**
- 30..... 15222 Shuttle Valve
- 31..... 15234 O-ring**
- 32..... 15223 Spring
- 33..... 15224 Spring Carrier
- 34..... 15201 Valve Spindle
- 35..... 15202 Lever
- 36..... 15225 Diaphragm
- 37..... 15227 Washer
- 38..... 15228 Retainer, Diaphragm
- 39..... 15205 Cover, Purge
- 40..... 15207 Retainer, Purge
- 41..... 15190 Cap
- 42..... 15211 Cover, Exhaust Valve
- 43..... 15189 Gasket**
- 44..... 15115 Valve, Exhaust**
- 45..... 15210 Support, Exhaust Valve
- 46..... 15204 Screw*
- 47..... 15197 Oral Seal Kit
- 48..... 15185 Plate
- 49..... 15187 Spring
- 50..... 15241 OI Button w/Screw*
- 51..... 15188 Push rod
- 52..... 15186 Button, PI
- 53..... 15239 Mouthpiece w/ Pins
- 54..... 25460 QD Hose, Braided, 3/8" x 27"
- 55..... 42639 O-ring Kit, A/S QD Hose**
- 56..... 15240 Upper Hose Assembly (1-14)

- AIRSOURCE W/CUT-OFF VALVE**
- 57..... 15191 Hose, MP 3/8" x 25"
 - 58 15193 Fitting, Cut-Off Valve
 - 59..... 15194 Barrel, Cut-Off Valve
 - 60..... 820312P O-ring (10 pk)**
 - 61..... 15195 Washer
 - 62..... 15140 AirsourcQD Conversion Kit

***NOTE:** A change has been made to the screw (46) that threads into the OI Button (50). A replacement OI Button and a new screw will be temporarily included in the Overhaul Parts Kit and both parts should be installed during overhaul.

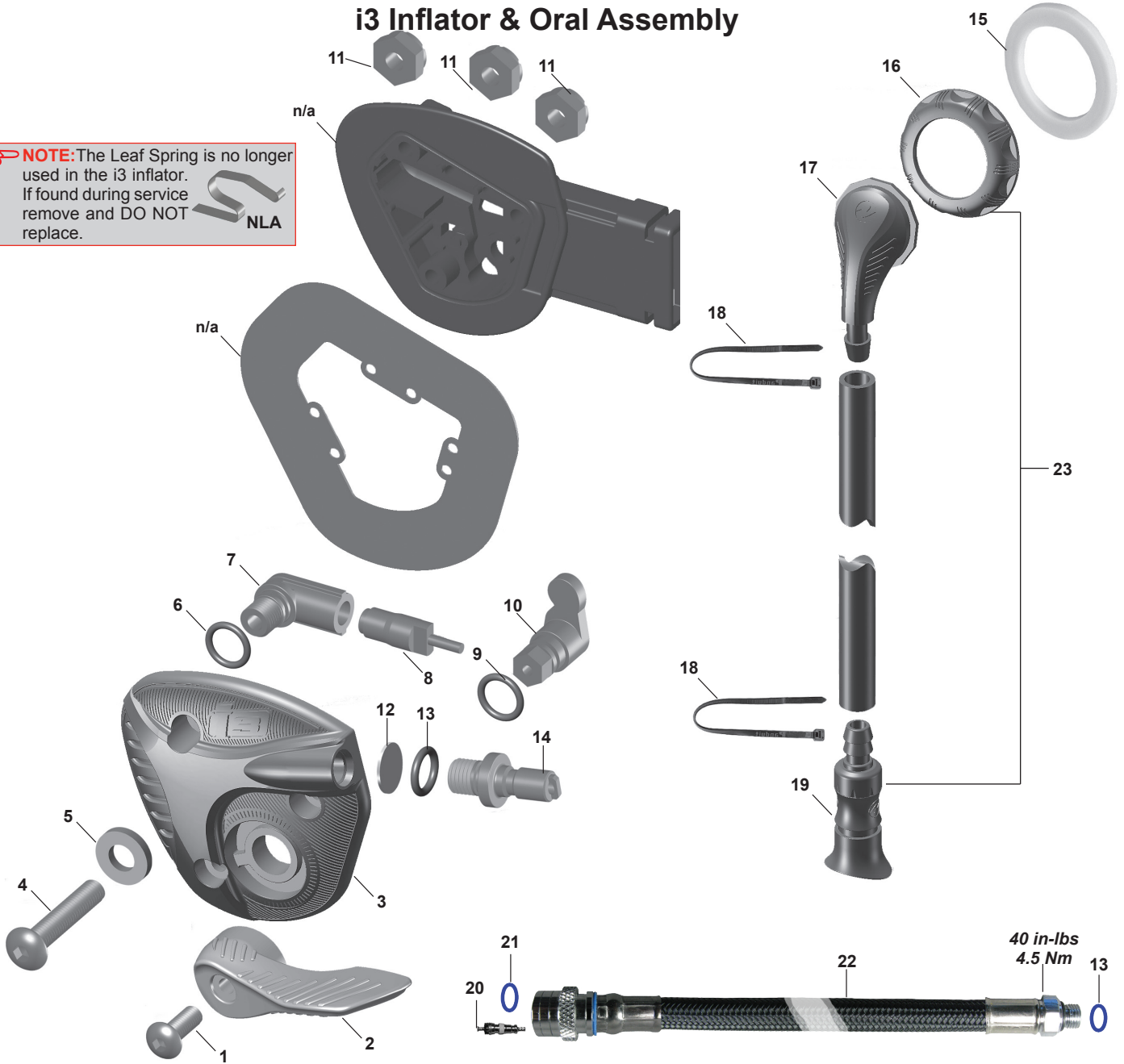
New Anchoring Retainer
p/n 15285



Part numbers in **BOLD ITALICS** indicate standard overhaul replacement part.

i3 Inflator & Oral Assembly

NOTE: The Leaf Spring is no longer used in the i3 inflator. If found during service remove and DO NOT replace.

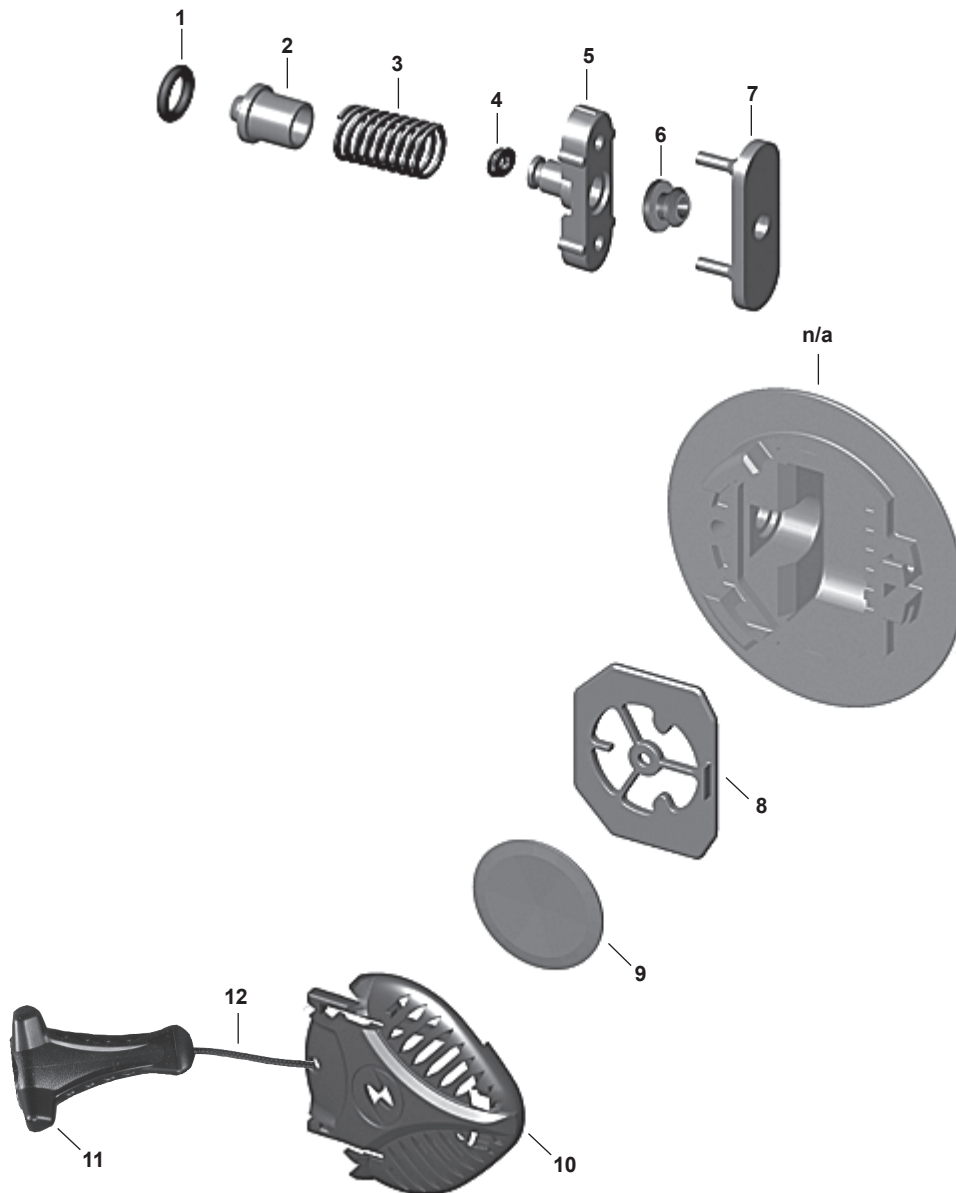


Key #	Part #	Description
-----	900020	Service Kit, i3 Inflator
1 ----	15424	Screw, 10-32X.5
2 ----	15414	Handle, i3 Inflator, Red
-----	15446	Handle, i3 Inflator, Twilight
-----	15433	Handle, i3 Inflator, Pink
-----	15434	Handle, i3 Inflator, Grey
-----	15435	Handle, i3 Inflator, Aqua
3 ----	15412	Body Out with Red Labels
-----	15436	Body Out with Grey Labels
-----	15439	Body Out with Black Labels
4 ----	15423	Screw, 10-32X1
5 ----	15426	Washer, Screw Seal
6 ----	820010P	O-ring (25 pk)
7 ----	15417	Valve Retainer, Elbow
8 ----	15504	Valve Core
9 ----	15445P	Quad-ring (10 pk)
10 ----	15415	Lever, i3 Inflator

Key #	Part #	Description
11 ----	15425	Nut, Nylock, 10-32
12 ----	15628	Powerline Filter
13 ----	820011P	O-ring (25 pk)
14 ----	090018	Quick Disconnect Plug with O-ring
15 ----	15309	Gasket
16 ----	15763	Collar
17 ----	15427	Elbow
18 ----	15719	Clamp
19 ----	15429	Mouthpiece/Valve, Oral Inflator Assy
20 ----	778564	Valve Core
21 ----	820043P	O-ring (10 pk)
22 ----	45827	MP Braided Inflator Hose, 27" (SM)
-----	45833	MP Braided Inflator Hose, 33" (M, ML, L)
-----	45836	MP Braided Inflator Hose, 36" (XL)
-----	45840	MP Braided Inflator Hose, 40" (XXL)
23 ----	42773	i3 Oral Inflator, Complete (items 16-19)

Part numbers in **BOLD ITALICS** indicate standard overhaul replacement part.

Flat E-Valve on i3 model BC's

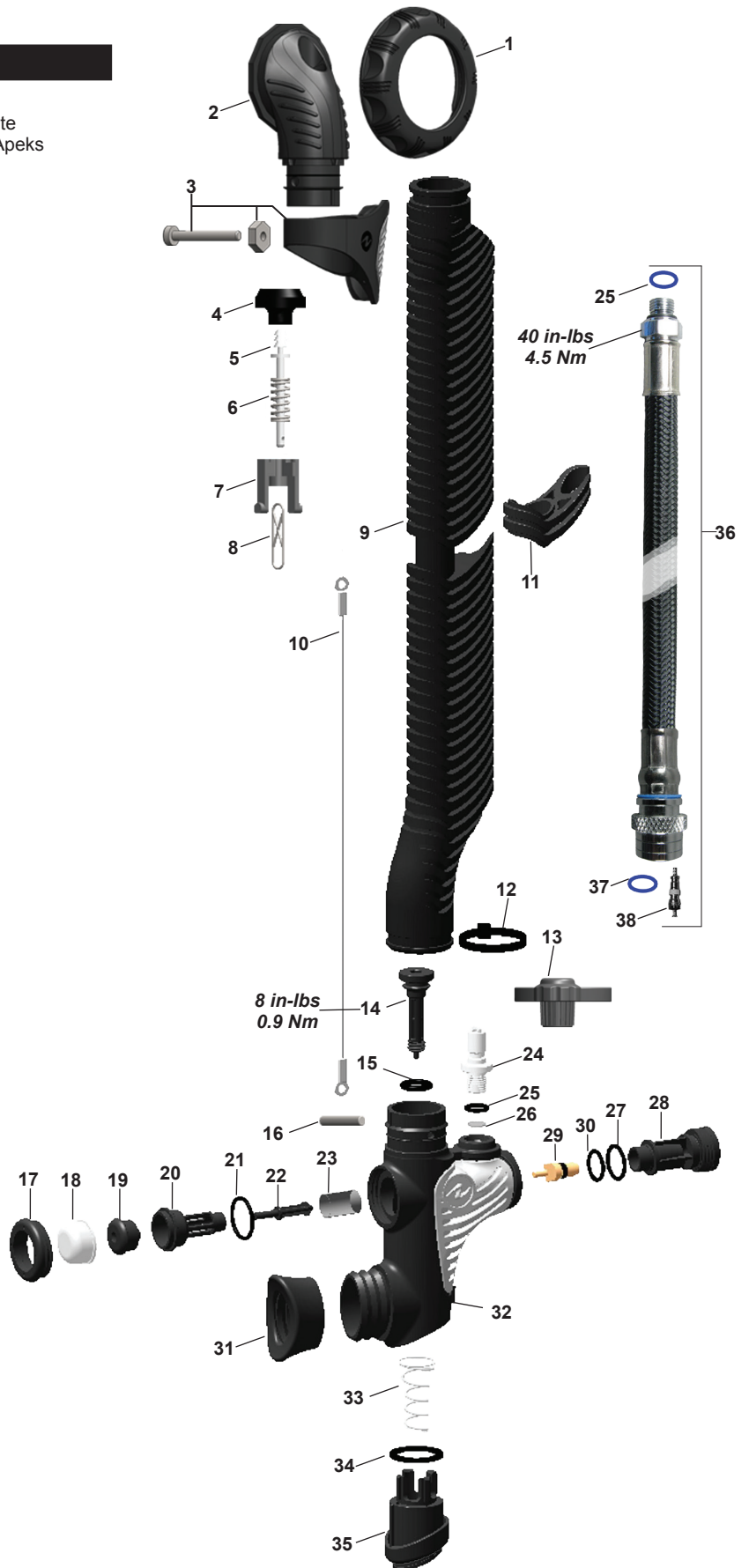


Key #	Part #	Description
1	820010P	O-ring (25 pk)
2	15404	Seal, Cylinder, Black
3	15407	Spring, S/S
4	15408P	Quad Ring (10 pk)
5	15401	Plate, Seal, Black
6	15402	Plug, Cord Hole
7	15406	Seal, Gray
8	15403	Plate, Valve, Blk
9	15115	Valve, Exhaust, Red
	15132	Valve, Exhaust, Grey
10	15405	Cap, Blk
11	12277	Pull Knob
12	42738	Pull Dump Cord (25')

Part numbers in **BOLD ITALICS** indicate standard overhaul replacement part.

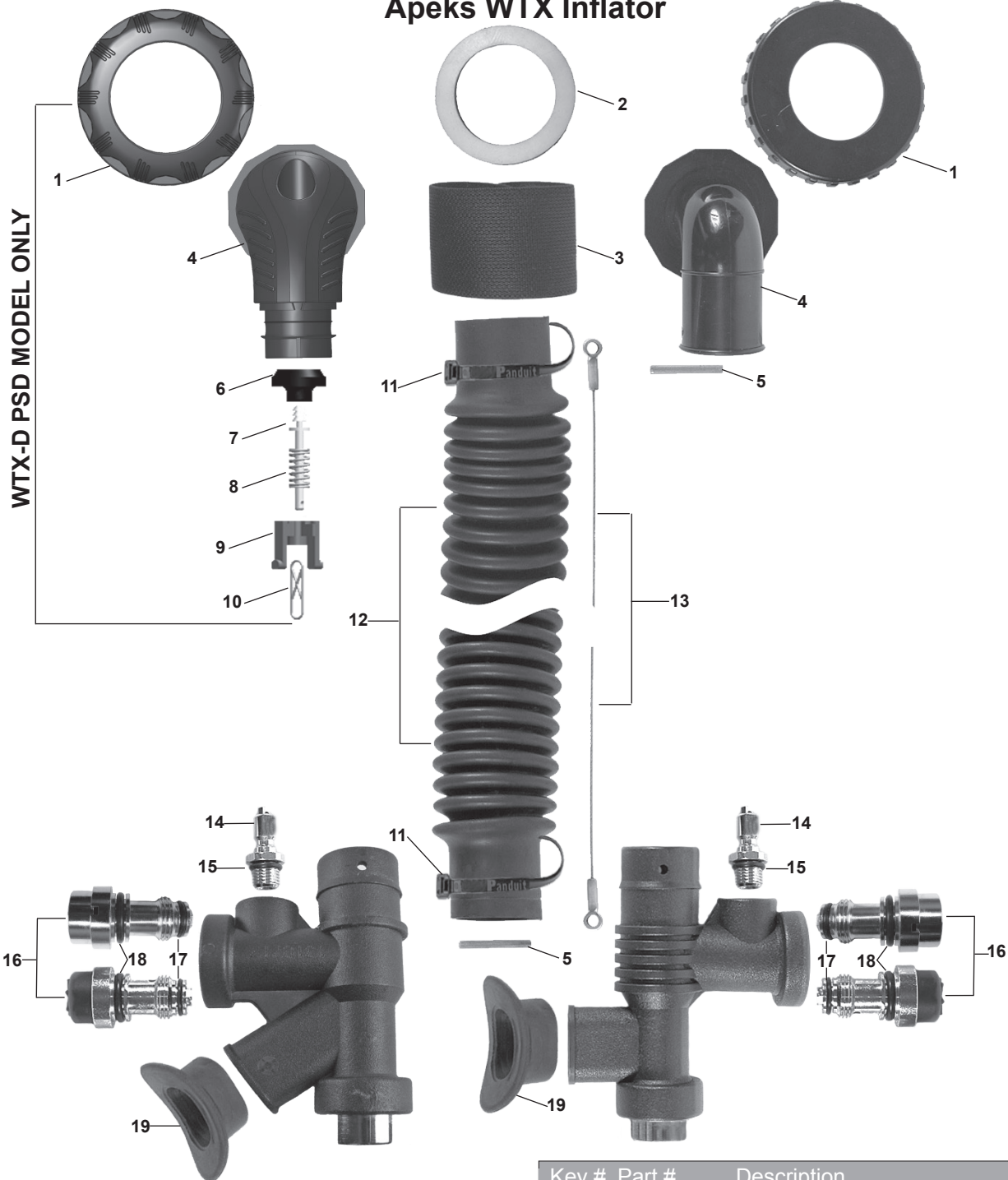
Powerline Inflator

Key #	Part #	Description
-----	42609	Service Kit, Powerline Inflator
-----	42810	Powerline Airway, Charcoal, Complete
-----	42820	Powerline Airway, Black, Complete, Apeks
-----	15280	Powerline, Lower Unit, Charcoal
1----	15763	Collar
2----	15161	Elbow
3----	15281	Clip, Nut & Screw, Charcoal
-----	15159	Clip, Nut & Screw, Black, Apeks
-----	15179	Clip, Nut & Screw, Grey
4----	778559	Poppet, Dump Valve
5----	15164	Poppet Stem
6----	15215	Spring
7----	15162	Poppet Guide
8----	15178	Cable Hook
9----	15261	Molded Hose
10----	15724	Cable
11----	15262	Hose Clip
12----	15719	Clamp
13----	15029	QD Fitting Cover
14----	15736	Oral Valve Poppet
15----	820092	O-ring
16----	15610	Cable Pin
17----	15746	Bezel
18----	15100	Button Cover, Gray
19----	15747	Button
20----	15749	Push Rod Housing
21----	820016P	O-ring (10 pk)
22----	15743	Push Rod
23----	15720	Filter Screen
24----	090018	Quick Disconnect Plug w/ O-ring
25----	820011P	O-ring (25 pk)
26----	15628	Filter
27----	820014P	O-ring (25 pk)
28----	15744	Valve Retainer
29----	15504	Valve Core
30----	957025P	O-ring (10 pk)
31----	15741	Mouthpiece
32----	15283	Body, Charcoal
-----	15271	Body, Black, Apeks
-----	15260	Body, Grey
33----	15709	Spring
34----	15718	Gasket
35----	15775	Oral Button w/Plug
36----	45822	MP Braided Inflator Hose, 3/8 x 22"
-----	45825	MP Braided Inflator Hose, 3/8 x 25"
-----	45827	MP Braided Inflator Hose, 3/8 x 27"
-----	45833	MP Braided Inflator Hose, 3/8 x 33"
37----	820043P	O-ring (10 pk)
38----	778564	Valve Core



Part numbers in **BOLD ITALICS** indicate standard overhaul replacement part.

Apeks WTX Inflator



Key #	Part #	Description
----	42772	Airway, Complete, L (WTX)
----	42662	Airway, Complete, K (WTX-D)
----	15350	Airway, Complete, K (WTX-D PSD)
----	15755	Lower Inflator Assembly, L (WTX)
----	15778	Lower Inflator Assembly, K (WTX-D)
1----	15706	Collar (WTX & WTX-D)
----	15763	Collar (WTX-D PSD)
2----	15309	Gasket
3----	42783	Retainer Loop
4----	15304	Elbow (WTX & WTX-D)
----	15161	Elbow (WTX-D PSD)
5----	15610	Retaining Pin
6----	778559	Dump Valve, Poppet (WTX-D PSD)

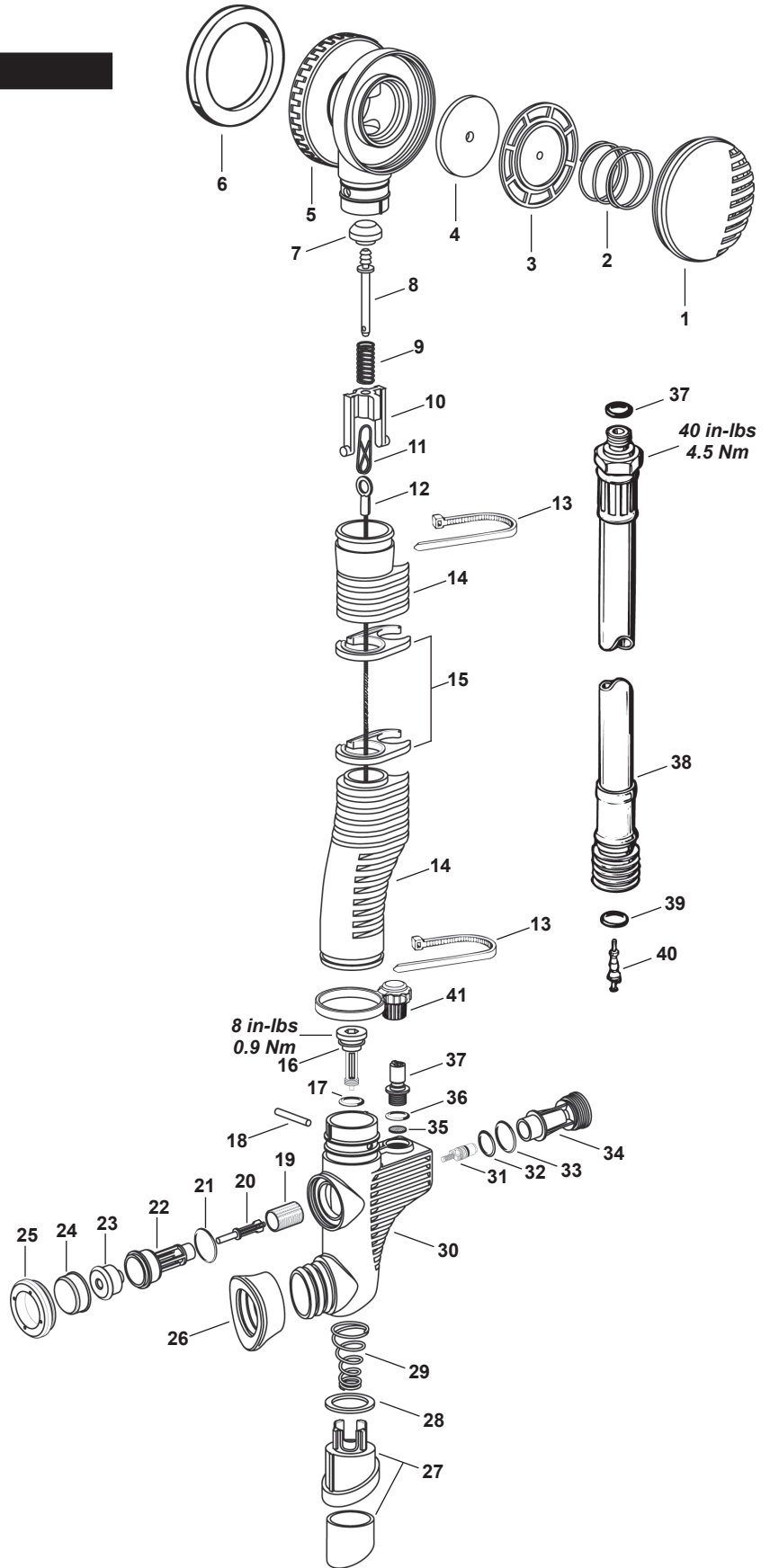
Key #	Part #	Description
7----	15164	Poppet Stem (WTX-D PSD)
8----	15215	Spring (WTX-D PSD)
9----	15162	Poppet Guide (WTX-D PSD)
10----	15178	Cable Hook (WTX-D PSD)
11----	15719	Clamp
12----	15756	Corrugated Hose
----	15151	Corrugated Hose, 18" (WTX-D PSD)
13----	15757	Cable Assembly
----	N/A	Cord, (WTX-D PSD)
14----	15758	Quick Disconnect Fitting w/O-ring
15----	820311P	O-ring (10 pk)
16----	15717	Valve Module w/Brass Button
----	15761	Valve Module w/Plastic Button
17----	820312P	O-ring (10 pk)
18----	820120P	O-ring (10 pk)
19----	15759	Mouthpiece

Part numbers in **BOLD ITALICS** indicate standard overhaul replacement part.

Powerline Inflator w/ Dual Valve

discontinued

Key #	Part #	Description
	---- 42609	Service Kit, Powerline Inflator
1	NLA	Cap
2	NLA	Overpressure Spring
3	NLA	Valve Plate
4	15714	Seal
5	NLA	Body, Dual Valve
6	15309	Gasket
7	778559	Dump Plug
8	15164	Poppet Stem
9	15901	Dump Spring
10	15649	Poppet Guide
11	15178	Cable Hook
12	15724	Cable Assembly
13	15719	Clamp
14	NLA	Ribbed Hose
15	15735	Hose Clip
16	15736	Poppet, Oral Valve
17	820092	O-ring
18	15610	Cable Pin
19	15720	Filter Screen
20	15743	Push Rod
21	820016P	O-ring (10 pk)
22	15749	Push Rod Housing
23	15747	Button
24	15100	Button Cover, Gray
25	15746	Bezel
26	15741	Mouthpiece
27	15775	Oral Button w/rubber plug
28	15718	Gasket
29	15709	Oral Valve Spring
30	NLA	Body
31	15504	Valve Core
32	957025P	O-ring (10 pk)
33	820014P	O-ring (25 pk)
34	15744	Valve Retainer
35	15628	Filter
36	820011P	O-ring (25 pk)
37	090018	Quick Disconnect Plug w/ O-ring
38	45822	MP Braided Inflator Hose, 22"
	45825	MP Braided Inflator Hose, 25"
	45827	MP Braided Inflator Hose, 27"
	45833	MP Braided Inflator Hose, 33"
39	820043P	O-ring (10 pk)
40	778564	Valve Core
41	15029	QD Fitting Cover



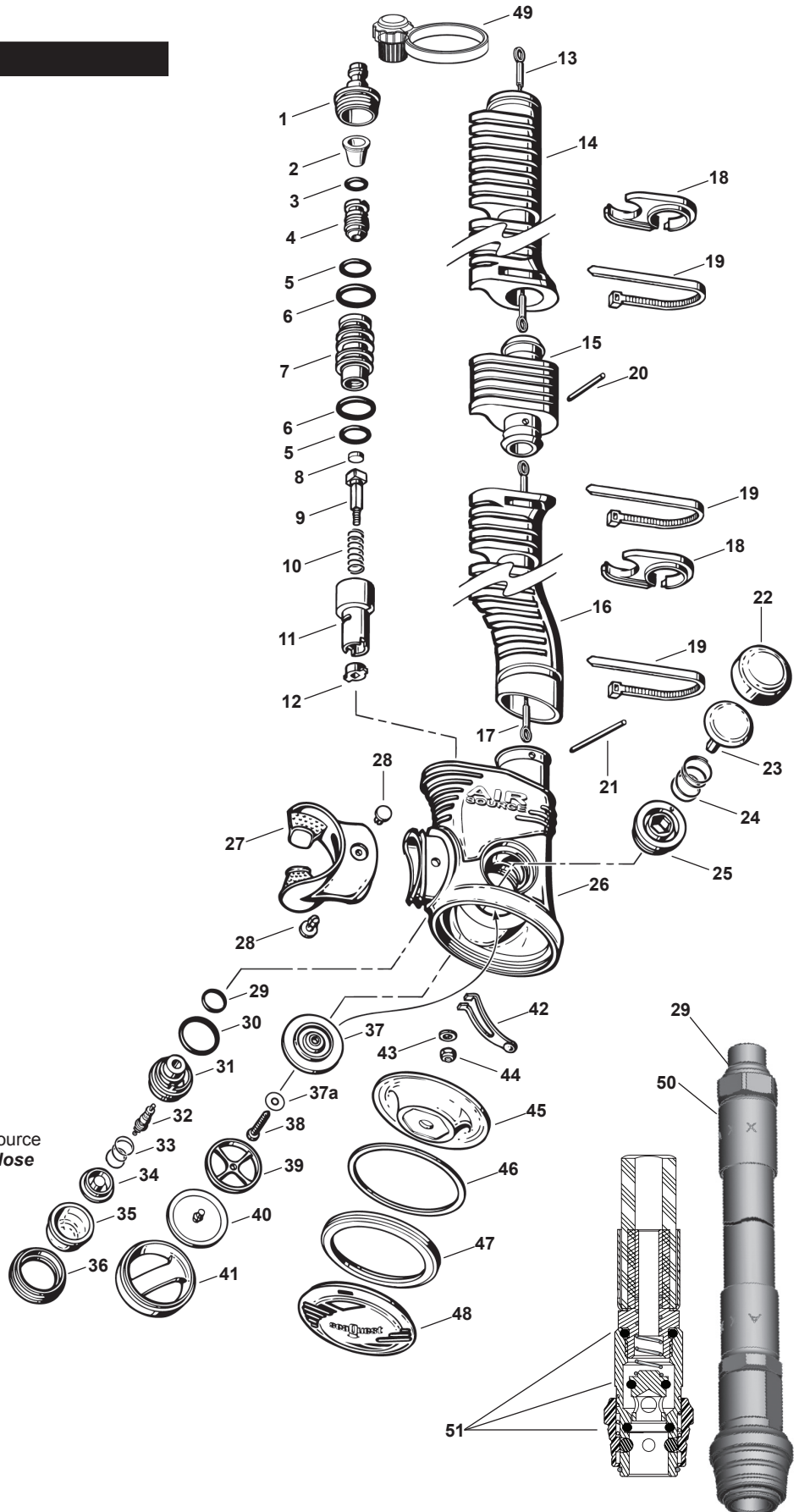
Part numbers in **BOLD ITALICS** indicate standard overhaul replacement part.

Air Source 2

2002-2007 *discontinued*

Key #	Part #	Description
-------	--------	-------------

----- 42608		
Service Kit, Airsource 2		
1	NLA	Quick disconnect fitting
2	15055	Sintered Filter
3	820010P	O-ring (25 pk)
4	15026	Crown
5	820013P	O-ring (10 pk)
6	820120P	O-ring (10 pk)
7	15089	Crown Housing
8	15027	Poppet Seat
9	15103	Poppet
10	15110	Poppet Spring
11	15113	Poppet Housing
12	15049	Poppet Guide
13	15118	Upper Cable 8.75"
14	15096	Spiral Hose, 8"
15	15090	Trim Grip
16	15098	Spiral Hose, 6"
17	15117	Lower Cable
18	15735	Hose Clip
19	15719	Clamp
20	15106	Pin, 0.71
21	15610	Pin, 1.0
22	15099	Oral Button Cover
23	15083	Oral Poppet
24	15095	Oral Spring
25	15093	Oral Bezel
26	15094	Body
27	42802	Mouthpiece
28	15104	Mouthpiece Retainer
29	820011P	O-ring (25 pk)
30	820016P	O-ring (10 pk)
31	15092	Valve Retainer
32	778564	Valve Core
33	15112	Spring
34	15081	Inflator Button
35	15100	Inflator Button Cover, Gray
36	15080	Inflator Bezel
37	42641	Oral Seal Kit
37a	NLA	Oral Seal Washer
38	15107	Screw
39	15078	Exhaust Retainer
40	15132	Exhaust Valve, Gray
41	15082	Exhaust Cap
42	NLA	Demand Lever w/ Button
43	15039	Washer
44	15020	Locknut
45	42803	Diaphragm Assy
46	15084	Diaphragm Ring
47	15087	Diaphragm Retaine
48	15091	Purge Button
49	15029	QD Fitting Cover
50	25460	27" MP Braided Hose, Air Source
51	42639	O-ring Kit, Airsource QD Hose



Part numbers in **BOLD ITALICS** indicate standard overhaul replacement part.

Current Models

Key # Part # Description

Axiom (Aqua Lung)

1----	42797	Weight Pouch, 10lb, Surelock II, XS-ML
2----	42799	Weight Pouch, 15lb, Surelock II, L-XXL
3----	15309	Gasket, Universal Connector
4----	45822	MP Braided Hose, 22", (XS, S, M)
5----	45825	MP Braided Hose, 25", (ML, L)
6----	45827	MP Braided Hose, 27", (XL, XXL)
7----	12234	Pull Knob, Nyl, Blk
8----	42764	Low Profile Dump Valve Kit
9----	12003	Zip Pull w/ Cord
10----	12084	Rubber Sleeve (for cyl. valve retainer)
11----	428230	Cylinder Band, Grip Lock 2"
12----	427072	Chest Strap Kit

Backpack Parts

13----	12121	Wrapture Backpack/Frame
14----	12137	Plate (oval shaped)
15----	15050	Screw, 10-24 X 3/8" (for center of pack)
16----	15051	Threaded Barrel (for center of pack)
17----	15135	Flanged Nut, 10-24 (for plate)
18----	15136	Screw, 10-24 X 3/4" (for plate)

Key # Part # Description

Axiom i3 (Aqua Lung)

1----	42797	Weight Pouch, 10lb, Surelock II, XS-ML
2----	42799	Weight Pouch, 15lb, Surelock II, L-XXL
3----	15309	Gasket, Universal Connector
4----	45827	MP Braided Hose, 27", (XS, S)
5----	45833	MP Braided Hose, 33", (M, ML, L)
6----	45836	MP Braided Hose, 36", (XL)
7----	45840	MP Braided Hose, 40", (XXL)
8----	15430	Cover, QD, w/ Cord, i3 Inflator
9----	12234	Pull Knob, Nyl, Blk
10----	12003	Zip Pull w/ Cord
11----	12084	Rubber Sleeve (for cyl. valve retainer)
12----	428230	Cylinder Band, Grip Lock 2"
13----	427072	Chest Strap Kit
14----	42773	Oral Inflator Assembly

Backpack Parts

15----	12121	Wrapture Backpack/Frame
16----	12137	Plate (oval shaped)
17----	15050	Screw, 10-24 X 3/8" (for center of pack)
18----	15051	Threaded Barrel (for center of pack)
19----	15135	Flanged Nut, 10-24 (for plate)
20----	15136	Screw, 10-24 X 3/4" (for plate)

Key # Part # Description

Balance • Libra (Sea Quest)

1----	42797	Weight Pouch, 10lb, Surelock II
2----	42767	Weight Pouch, 10lb, Surelock
3----	42726	Weight Pouch, Universal 10lb
4----	15309	Gasket, Universal Connector
5----	45822	MP Braided Hose, 22", SM-MD
6----	45825	MP Braided Hose, 25", ML-LG
7----	45827	MP Braided Hose, 27", XL
8----	28228	Universal Cylinder Band
9----	42754	Dump Valve Kit, Universal
10----	42764	Low Profile Dump Valve Kit
11----	427039	Chest Strap Kit (Libra only)
		Optional Upgrade
12----	427040	Carry Handle Kit (Large Contour Pack only)
13----	427042	Twin Tank Kit (Large Contour Pack only)

Key # Part # Description

Black Ice (Apeks)

1----	42798	Weight Pouch, 16lb, Surelock II
2----	15309	Gasket, Universal Connector
3----	45827	MP Braided Hose, 27"
4----	428240	GripLock Tank Band, Apeks
5----	42704	Low Profile Dump Valve Kit, Apeks
6----	427072	Chest Strap Kit
7----	12234	Pull Knob, Nyl, Blk
8----	120161	Zip Clip, Zipper Pull, Male
9----	120162	Zip Clip, Zipper Pull, Female
10----	12085	Rubber Sleeve (for cyl. valve retainer)
11----	397100	Bladder w/Dump Valves
12----	397102	Waistband Assy, SM/MD
13----	397104	Waistband Assy, ML/LG
14----	397106	Waistband Assy, XL/XXL
15----	397112	Shoulder Set, SM/MD
16----	397114	Shoulder Set, ML/XXL
17----	397122	Back Harness, SM/LG
18----	397124	Back Harness, XL/XXL
19----	397107	Nut/Bolt Kit, 4pk (for Multi-set Waistband & Shoulders)
20----	15071	Screw (for Multi-set Waistband & Shoulders)
21----	15072	Nut (for Multi-set Waistband & Shoulders)
22----	42778	Inflator Hold Down, Reflective

Backpack Parts

23----	22121	Wrapture Backpack/Frame, Blk Ice
24----	12137	Plate (oval shaped)
25----	15136	Screw, 10-24 X 3/4" (for plate)
26----	15135	Flanged Nut, 10-24 (for plate)
27----	15050	Screw, 10-24 X 3/8" (for center of pack)
28----	15051	Threaded Barrel (for center of pack)
29----	397101	Backpad

Optional Upgrade

30----	427106	Twin Tank Kit
31----	427038	Crotch Strap Kit

Key # Part # Description

Dimension i3 • Lotus i3 (Aqua Lung)

1----	42797	Weight Pouch, 10lb, Surelock II
2----	15309	Gasket, Universal Connector
3----	45827	MP Braided Hose, 27", (XS/S, S)
4----	45833	MP Braided Hose, 33", (M, ML, L)
5----	45836	MP Braided Hose, 36", (XL)
6----	15430	Cover, QD, w/ Cord, i3 Inflator
7----	12277	Pull Knob, Nyl, Blk
8----	12003	Zip Pull w/ Cord
9----	12084	Rubber Sleeve (for cyl. valve retainer)
10----	28228	Universal Cylinder Band
11----	12134	Traction Sleeve, Small
12----	428230	Cylinder Band, Grip Lock 2"
13----	427072	Chest Strap Kit
14----	427104	Bungee
15----	42773	Oral Inflator Assembly
		Backpack Parts
16----	12121	Wrapture Backpack/Frame
17----	12137	Plate (oval shaped)
18----	15050	Screw, 10-24 X 3/8" (for center of pack)
19----	15051	Threaded Barrel (for center of pack)
20----	15135	Flanged Nut, 10-24 (for plate)
21----	15136	Screw, 10-24 X 3/4" (for plate)

Current Models

Key # Part # Description

Pearl (Sea Quest)		
1----	42797	Weight Pouch, 10lb, Surelock II
2----	12003	Zip Pull w/ Cord
3----	12235	Buckle, Female, 1.5" Airlock
4----	12261	Buckle, Male, 1.5" Airlock
5----	12277	Pull Knob, Nyl, Blk
6----	15309	Gasket, Universal Connector
7----	45822	MP Braided Hose, 22" (XS, SM, MD)
8----	45825	MP Braided Hose, 25" (ML, LG)
9----	28228	Universal Cylinder Band
10----	42764	Low Profile Dump Valve Kit

Key # Part # Description

Pearl i3 (Sea Quest)		
1----	42797	Weight Pouch, 10lb, Surelock II
2----	42767	Weight Pouch, 10lb, Surelock
3----	12003	Zip Pull w/ Cord
4----	12019	Waistband Clip Lock for Multi-set
5----	12235	Buckle, Female, 1.5" Airlock
6----	12261	Buckle, Male, 1.5" Airlock
7----	12277	Pull Knob, Nyl, Blk
8----	15309	Gasket, Universal Connector
9----	15430	Cover, QD, w/ Cord, i3 Inflator
10----	45827	MP Braided Hose, 27" (XS, SM)
11----	45833	MP Braided Hose, 33" (MD, ML, LG)
12----	15428	Hose Hat, MP Hose
13----	28228	Universal Cylinder Band
14----	42773	Oral Inflator Assembly

Key # Part # Description

Pro LT (Aqua Lung)		
1----	42797	Wt Pouch, 10lb, Surelock II, XS-ML
2----	42798	Wt Pouch, 16lb, Surelock II, LG-XL
3----	12247	Buckle, Female, 2.0" Airlock
4----	12248	Buckle, Male, 2.0" Airlock
5----	12241	Buckle, Male, 1.0" Airlock
6----	15309	Gasket, Universal Connector
7----	45822	MP Braided Hose, 22", XS-MD
8----	45825	MP Braided Hose, 25", ML-LG
9----	45827	MP Braided Hose, 27", XL
10----	28228	Universal Cylinder Band
11----	42754	Dump Valve Kit, Universal
12----	12003	Zip Pull, W/Cord
13----	12234	Pull Knob, Blk
14----	427190	Waistband Set, Adjustable Web, XS
15----	427191	Waistband Set, Adjustable Web, SM
16----	427192	Waistband Set, Adjustable Web, MD
17----	427193	Waistband Set, Adjustable Web, ML
18----	427194	Waistband Set, Adjustable Web, LG
19----	427195	Waistband Set, Adjustable Web, XL
20----	427196	Waistband Set, Adjustable Web, XXL
21----	42764	Low Profile Dump Valve Kit
Backpack Parts		
22----	12131	Backpack Frame
23----	12132	Cradle, Co-Molded
24----	15437	Screw, 10 X 3/4" Panhead (need 6)
25----	427096	Backpad, Black, Universal

Key # Part # Description

Pro QD (Aqua Lung)		
1----	42797	Wt Pouch, 10lb, Surelock II, XS-ML
2----	42798	Wt Pouch, 16lb, Surelock II, LG-XL
3----	12247	Buckle, Female, 2.0" Airlock
4----	12248	Buckle, Male, 2.0" Airlock
5----	12241	Buckle, Male, 1.0" Airlock
6----	15309	Gasket, Universal Connector
7----	45822	MP Braided Hose, 22", XS-MD
8----	45825	MP Braided Hose, 25", ML-LG
9----	45827	MP Braided Hose, 27", XL
10----	28228	Universal Cylinder Band
11----	42754	Dump Valve Kit, Universal
12----	12003	Zip Pull, W/Cord
13----	12234	Pull Knob, Blk
14----	427190	Waistband Set, Adjustable Web, XS
15----	427191	Waistband Set, Adjustable Web, SM
16----	427192	Waistband Set, Adjustable Web, MD
17----	427193	Waistband Set, Adjustable Web, ML
18----	427194	Waistband Set, Adjustable Web, LG
19----	427195	Waistband Set, Adjustable Web, XL
20----	427196	Waistband Set, Adjustable Web, XXL
21----	42764	Low Profile Dump Valve Kit
Backpack Parts		
22----	12131	Backpack Frame
23----	12132	Cradle, Co-Molded
24----	15437	Screw, 10 X 3/4" Panhead (need 6)
25----	427096	Backpad, Black, Universal

Key # Part # Description

Soul i3 (Aqua Lung)		
1----	42797	Wt Pouch, 10lb, Surelock II
2----	428230	Cylinder Band, Grip Lock 2"
3----	12084	Rubber Sleeve (for cyl. valve retainer)
4----	12277	Pull Knob, Black
5----	15309	Gasket, Universal Connector
6----	45827	MP Braided Hose, 27" (XXS & XS/S)
7----	45833	MP Braided Hose, 33" (M & ML)
8----	12003	Zip Pull, W/Cord
9----	15430	Cover, QD, w/ Cord, i3 Inflator
10----	42773	Oral Inflator Assembly
11----	427072	Chest Strap Kit
Backpack Parts		
12----	12121	Wrapture Backpack/Frame
13----	12137	Plate (oval shaped)
14----	15050	Screw, 10-24 X 3/8" (for center of pack)
15----	15051	Threaded Barrel (for center of pack)
16----	15135	Flanged Nut, 10-24 (for plate)
17----	15136	Screw, 10-24 X 3/4" (for plate)

Current Models

Key # Part # Description

WTX (Apeks)*WTX Harness/Deluxe Webbed Harness*

1----	12071	D-ring, 2.0, Dull Tumbled S/S, .25 Dia
2----	12252	Slide, 2.0, 3 Bar, S/S Serrated
3----	12253	D-ring, 2.0, Bent, Dull Tumbled, S/S
4----	12285	Buckle, 2.0, S/S, Cam, Heavy Duty
5----	428240	GripLock Tank Band, Apeks
6----	28228	Universal Cylinder Band
7----	10017	Traction Sleeve, for Univ.Cylinder Band
8----	427039	Chest Strap Kit, WTX
9----	762325	Slide, Buckle, Black, Delrin
10----	42778	Inflator Hold Down, Reflective, Black, WTX
11----	42779	Backpad, WTX
12----	42780	Crotch Strap Kit, 2.0
13----	42781	Elastic Retainer Loop, 1.0, Chest, WTX
14----	42782	Elastic Retainer Loop, 1.5, Straps
15----	42786	Neo Sleeve, Dlx (1-each)

Wt System, Surelock, 10lb

1----	15050	Screw, 10-24 X 3/8"
2----	15051	Threaded Barrel
3----	42784	Wt Pouch, 10lb. Surelock
4----	42785	Wt Holster

Wt System, Surelock Attachment

1----	15050	Screw, 10-24 X 3/8"
2----	15051	Threaded Barrel
3----	15128	Washer, Shoulder, 1/4, Nylon

Bladder, WTX3, WTX4, WTX6, WTX6R, WTX8

1----	15309	Gasket, Universal Connector
2----	45827	MP Braided Hose, 27"
3----	15665	Cap, Universal Connector, WTX6/8
4----	42754	Dump Valve Kit, Universal
5----	12277	Pull Knob, Nylon, Black
6----	42783	Retainer Loop
7----	42788	Bladder, Tech Wing, WTX6/8
8----	42789	Bladder, WTX 4
9----	42790	Bladder, Primary, WTX 6R
10----	42791	Bladder, Redundant, WTX 6R
11----	388300	WTX Retractor Kit

WTX-D • WTX-D PSD (Apeks)

1----	12308	Buckle, 2.0, S/S, Cam, Heavy Duty, PSD
-------	-------	--

Bladder, WTX-D18, WTX-D30, WTX-D40

1----	42704	Dump Valve Kit, Low Profile, Apeks
2----	288118	Bladder, WTX-D18
3----	288140	Bladder, WTX-D30/40

Key # Part # Description

Wave 2010> (Aqua Lung)

1----	42797	Wt Pouch, 10lb, Surelock II
2----	12247	Buckle, Female, 2.0" Airlock
3----	12248	Buckle, Male, 2.0" Airlock
4----	12241	Buckle, Male, 1.0" Airlock
5----	15309	Gasket, Universal Connector
6----	43827	MP Hose, 27"
7----	28228	Universal Cylinder Band
8----	42754	Dump Valve Kit, Universal
9----	12003	Zip Pull, W/Cord
10----	12242	Pull Knob, Orange
11----	427189	Waistband Set, Adjustable Web, XXS
12----	427190	Waistband Set, Adjustable Web, XS
13----	427191	Waistband Set, Adjustable Web, SM
14----	427192	Waistband Set, Adjustable Web, M
15----	427194	Waistband Set, Adjustable Web, LG
16----	427195	Waistband Set, Adjustable Web, XL
17----	427103	Weight System, Complete
18----	427101	Weight Sheath, Left Side
19----	427102	Weight Sheath, Right Side

Backpack Parts

20----	12131	Backpack Frame
21----	12132	Cradle, Co-Molded
22----	15437	Screw, 10 X 3/4" Panhead (need 6)
23----	427096	Backpad, Black, Universal

Key # Part # Description

Zuma (Aqua Lung)

1----	42797	Wt Pouch, 10lb, Surelock II
2----	12235	Buckle, Female, 1.5" Airlock
3----	12261	Buckle, Male, 1.5" Airlock
4----	12017	Buckle, Male, 3/4" Airlock
5----	15309	Gasket, Universal Connector
6----	45822	MP Braided Hose, 22", XS-MD
7----	45825	MP Braided Hose, 25", ML-LG
8----	45827	MP Braided Hose, 27", XL/XXL
9----	28228	Universal Cylinder Band
10----	12277	Pull Knob, BIK
11----	10017	Traction Sleeve for Cylinder Band
12----	427072	Chest Strap Kit
13----	427085	Trim Pocket (5 lb/2.2 Kg)
14----	427006	Bladder, Black w/Dump Valves, (22lb/10Ltr) XS-S/S-M
15----	427087	Bladder, Charcoal w/Dump Valves, (34lb/15Ltr) ML-L/XL-XXL
16----	427007	Bladder, Black w/Dump Valves, (34lb/15Ltr) ML-L/XL-XXL
17----	42764	Low Profile Dump Valve Kit

Discontinued Models

Key #	Part #	Description
-------	--------	-------------

Black Diamond

1 ----	42798	Weight Pouch, 16lb, Surelock II
2 ----	42768	Weight Pouch, 16lb, Surelock
3 ----	42716	Weight Pouch, Universal, 16lb
4 ----	15071	Screw (for Multi-set Waistband)
5 ----	15072	Nut (for Multi-set Waistband)
6 ----	15309	Gasket, Universal Connector
7 ----	45825	MP Braided Hose, 25", SM
8 ----	45827	MP Braided Hose, 27", MD-XL
9 ----	28228	Universal Cylinder Band
10 ----	42754	Dump Valve Kit, Universal
11 ----	427039	Chest Strap Kit (1996+)
<i>Optional Upgrades</i>		
12 ----	427030	Waistband Expander Kit, 2-req'd (adds 6" in length)
13 ----	427038	Crotch Strap Kit (1997+)
14 ----	427042	Twin Tank Kit (Large Contour Pack only)
15 ----	427040	Carry Handle Kit (Large Contour Pack only)

Black Diamond Waist Bands

with Aqua Lung Swivel Buckle

17 ----	431411	Waistband Assy, 377/304, SM, w/Surelock
18 ----	431412	Waistband Assy, 377/304, MD, w/Surelock
19 ----	431413	Waistband Assy, 377/304, ML, w/Surelock
20 ----	431414	Waistband Assy, 377/304, LG, w/Surelock
21 ----	431415	Waistband Assy, 377/304, XL, w/Surelock

Black Diamond Waist Bands

with SeaQuest Swivel Buckle

22 ----	430411	Waistband Assy, 377, SM, w/Surelock
23 ----	430412	Waistband Assy, 377, MD, w/Surelock
24 ----	430413	Waistband Assy, 377, ML, w/Surelock
25 ----	430414	Waistband Assy, 377, LG, w/Surelock
26 ----	430415	Waistband Assy, 377, XL, w/Surelock
27 ----	43020.1	Waistband Assembly, 360, SM
28 ----	43020.2	Waistband Assembly, 360, MD
29 ----	43020.3	Waistband Assembly, 360, ML
30 ----	43020.4	Waistband Assembly, 360, LG
31 ----	43020.5	Waistband Assembly, 360, XL

*Aqua Lung
Swivel Buckle*



*SeaQuest
Swivel Buckle*



NOTE: The buckles are not interchangeable! Confirm, which model waistband you need by identifying the buckle type. The shoulder buckles are not sold separately.

Key #	Part #	Description
-------	--------	-------------

Diva LX • Diva XLT • Diva QD • Diva (Sea Quest)

1 ----	42797	Weight Pouch, 10lb, Surelock II
2 ----	42767	Weight Pouch, 10lb, Surelock
3 ----	42726	Weight Pouch, Universal, 10lb
4 ----	12019	Clip Lock, Multi-set Waistband
5 ----	12235	Buckle, Female, 1.5", Airlock
6 ----	12024	Buckle, Male, 1.5", Standard (pre-2002)
7 ----	12240	Buckle, Female, 1.0", Airlock
8 ----	12241	Buckle, Male, 1.0", Airlock
9 ----	12048	Buckle, Female, 1.0" Standard (pre-2002)
10 ----	12088	Buckle, Male, 1.0", Standard (pre-2002)
11 ----	15309	Gasket, Universal Connector
12 ----	45822	MP Braided Hose, 22", XS-MD
13 ----	45825	MP Braided Hose, 25", ML-LG
14 ----	42754	Dump Valve Kit, Universal
15 ----	28228	Universal Cylinder Band
16 ----	12039	Accessory Hose Clip
17 ----	12060	Snaphook

Key #	Part #	Description
-------	--------	-------------

Latitude XLT • Latitude (Sea Quest)

1 ----	42797	Weight Pouch, 10lb XS-ML, Surelock II (XLT)
2 ----	42767	Weight Pouch, 10lb, XS-ML Surelock (XLT)
3 ----	42726	Weight Pouch, Universal, 10lb
4 ----	42798	Weight Pouch, 16lb LG-XL, Surelock II (XLT)
5 ----	42768	Weight Pouch, 16lb LG-XL, Surelock (XLT)
6 ----	15309	Gasket, Universal Connector
7 ----	42754	Dump Valve Kit, Universal
8 ----	28228	Universal Cylinder Band
9 ----	10017	Traction Sleeve for Tank Band (XLT)
10 ----	12241	Buckle, Male, 1.0 Airlock (XLT)
11 ----	15665	Cap, Universal Connector
12 ----	45822	MP Braided Hose, 22" XS-MD
13 ----	45825	MP Braided Hose, 25" ML-LG
14 ----	45827	MP Braided Hose, 27" XL
15 ----	427190	Waistband Set, Adjustable Web, XS (XLT)
16 ----	427191	Waistband Set, Adjustable Web, SM (XLT)
17 ----	427192	Waistband Set, Adjustable Web, MD (XLT)
18 ----	427193	Waistband Set, Adjustable Web, ML (XLT)
19 ----	427194	Waistband Set, Adjustable Web, LG (XLT)
20 ----	427195	Waistband Set, Adjustable Web, XL (XLT)
21 ----	12247	Buckle, F, 2.0 Airlock (XLT)
22 ----	12248	Buckle, M, 2.0 Airlock (XLT)
23 ----	12235	Buckle, F, 1.5 Airlock
24 ----	12261	Buckle, M, 1.5 Airlock
25 ----	427039	Chest Strap Kit
<i>Backpack Parts</i>		
26 ----	12126	Backpack Frame (XLT)
27 ----	12127	Pack Cradle, W/Pad Installed, Blk (XLT)
28 ----	15129	Bolt, 19mm Hex, Brass, Chrome/Pltd (XLT)
29 ----	15130	Nut, 19mm Hex, Brass, Chrome/Pltd (XLT)

Discontinued Models

Key # Part # Description

Malibu (Aqua Lung/Sea Quest)

1 ---- 42726	Weight Pouch, Universal, 10lb
2 ---- 42754	Dump Valve Kit, Universal
3 ---- 10017	Traction Sleeve, Universal Tank Band
4 ---- 28228	Universal Cylinder Band
5 ---- 761947	Stabilizer Strap, Cylinder
6 ---- 12024	Buckle, Female, 1.5", Standard
7 ---- 12037	Buckle, Male, 1.5", Standard
8 ---- 12235	Buckle, Female, 1.5", Airlock
9 ---- 12261	Buckle, Male, 1.5", Airlock
10 ---- 12240	Buckle, Female, 1.0", Airlock
11 ---- 12241	Buckle, Male, 1.0", Airlock
12 ---- 15309	Gasket, Universal Connector
13 ---- 45825	MP Braided Hose, 25", XS-MD
14 ---- 45827	MP Braided Hose, 27", LG-XL
15 ---- 427039	Chest Strap Kit
16 ---- 12060	Snaphook (in key pocket)
17 ---- 088152	Cord Lock for Mesh Bag (post 9/05)

Key # Part # Description

Passport 2006-07 (Sea Quest)

1 ---- 42726	Weight Pouch, Universal, 10lb
2 ---- 15309	Gasket, Universal Connector
3 ---- 42754	Dump Valve Kit, Universal
4 ---- 28228	Universal Cylinder Band
5 ---- 10017	Traction Sleeve for Tank Band
6 ---- 15665	Cap, Universal Connector
7 ---- 45822	MP Braided Hose, 22", XS-MD
8 ---- 45825	MP Braided Hose, 25", ML-LG
9 ---- 45827	MP Braided Hose, 27", XL
10 ---- 427190	Waistband Set, Adjustable Web, XS (2007)
11 ---- 427191	Waistband Set, Adjustable Web, SM (2007)
12 ---- 427192	Waistband Set, Adjustable Web, MD (2007)
13 ---- 427193	Waistband Set, Adjustable Web, ML (2007)
14 ---- 427194	Waistband Set, Adjustable Web, LG (2007)
15 ---- 427195	Waistband Set, Adjustable Web, XL (2007)
16 ---- 12247	Buckle, F, 2.0" Airlock (2007)
17 ---- 12248	Buckle, M, 2.0" Airlock (2007)
18 ---- 12240	Buckle, F, 1.0" Airlock (2006)
19 ---- 12241	Buckle, M, 1.0" Airlock (2006)
20 ---- 427039	Chest Strap Kit
21 ---- 088152	Cord Lock

Backpack Parts

22 ---- 12126	Backpack Frame (2007)
23 ---- 12127	Pack Cradle, w/ Pad Installed, Blk (2007)
24 ---- 15129	Bolt, 19mm Hex, Brass Chrome/Pltd (2007)
25 ---- 15130	Nut, 19mm Hex, Brass Chrome/Pltd (2007)
26 ---- NLA	Backpad w/ Mesh Bag, (2007)

Key # Part # Description

Pacifica (Sea Quest)

1 ---- 15309	Gasket, Universal Connector
2 ---- 42754	Dump Valve Kit, Universal
3 ---- 28228	Universal Cylinder Band
4 ---- 10017	Traction Sleeve for Tank Band
5 ---- 12241	Buckle, Male, 1.0, Airlock
6 ---- 15665	Cap, Universal Connector
7 ---- 45822	MP Hose, Braided, 22", XS-MD
8 ---- 45825	MP Hose, Braided, 25", ML-LG
9 ---- 45827	MP Hose, Braided, 27", XL
10 ---- 427190	Waistband Set, Adjustable Web, XS
11 ---- 427191	Waistband Set, Adjustable Web, SM
12 ---- 427192	Waistband Set, Adjustable Web, MD
13 ---- 427193	Waistband Set, Adjustable Web, ML
14 ---- 427194	Waistband Set, Adjustable Web, LG
15 ---- 427195	Waistband Set, Adjustable Web, XL
16 ---- 12247	Buckle, F, 2.0, Airlock, Blk 5502100
17 ---- 12248	Buckle, M, 2.0, Airlock, Blk 5501100

Backpack Parts

18 ---- 12126	Backpack Frame
19 ---- 12127	Pack Cradle, w/ Pad Installed, Blk
20 ---- 15129	Bolt, 19mm Hex, Brass Chrome/Pltd
21 ---- 15130	Nut, 19mm Hex, Brass Chrome/Pltd
22 ---- 427096	Backpad, Black, Universal

Key # Part # Description

Pro QD i3 (Sea Quest)

1 ---- 42797	Weight Pouch, 10lb, Surelock II, XS-ML
2 ---- 42767	Weight Pouch, 10lb, Surelock, XS-ML
3 ---- 42798	Weight Pouch, 16lb, Surelock II, LG-XXL
4 ---- 42768	Weight Pouch, 16lb, Surelock, LG-XXL
5 ---- 12235	Buckle, Female, 1.5" Airlock
6 ---- 12261	Buckle, Male, 1.5" Airlock
7 ---- 12241	Buckle, Male, 1.0" Airlock
8 ---- 12060	Snap Hook
9 ---- 15309	Gasket, Universal Connector
10 ---- 45827	MP Braided Hose, 27" (SM)
11 ---- 45833	MP Braided Hose, 33" (MD, ML, LG)
12 ---- 45836	MP Braided Hose, 36" (XL)
13 ---- 45840	MP Braided Hose, 40" (XXL)
14 ---- 15428	Hose Hat
15 ---- 28228	Universal Cylinder Band
16 ---- 427040	Carry Handle Kit (Large Contour Pack only)
17 ---- 42773	Oral Inflator Assembly
18 ---- 12277	Pull Knob, Nyl, Blk
19 ---- 15430	Cover, QD, w/ Cord, i3 Inflator

Discontinued Models**Key # Part # Description****Pro • Pro QD • Pro XLT (Sea Quest)***Weight Pouches (Pro QD, Pro XLT)*

1 ---- 42797	Wt Pouch, 10lb, Surelock II, XS-ML
2 ---- 42767	Wt Pouch, 10lb, Surelock, XS-ML
3 ---- 42726	Wt Pouch, 10lb, Universal, XS-ML
4 ---- 42798	Wt Pouch, 16lb, Surelock II, LG-XXL
5 ---- 42768	Wt Pouch, 16lb, Surelock, LG-XXL (ML on XLT)
6 ---- 42716	Wt Pouch, 16lb, Universal, LG-XXL
7 ---- 12235	Buckle, Female, 1.5", Airlock (Pro, Pro QD)
8 ---- 12261	Buckle, Male, 1.5", Airlock (Pro, Pro QD)
9 ---- 12241	Buckle, Male, 1.0", Airlock (Pro, Pro QD)
10 ---- 12024	Buckle, Female, 1.5", Standard (pre-2002)
11 ---- 12037	Buckle, Male, 1.5", Standard (pre-2002)
12 ---- 12088	Buckle, Male, 1.0", Standard (pre-2002)
13 ---- 15309	Gasket, Universal Connector
14 ---- 45822	MP Braided Hose, 22", XS-MD
15 ---- 45825	MP Braided Hose, 25", ML-LG
16 ---- 45827	MP Braided Hose, 27", XL/XXL
17 ---- 28228	Universal Cylinder Band
18 ---- 42754	Dump Valve Kit, Universal
19 ---- 427040	Carry Handle Kit (Large Contour Pack only)
20 ---- 12060	Snaphook
21 ---- 4270901	Waistband, Pro XLT, SM
22 ---- 4270902	Waistband, Pro XLT, MD
23 ---- 4270903	Waistband, Pro XLT, ML
24 ---- 4270904	Waistband, Pro XLT, LG
25 ---- 4270905	Waistband, Pro XLT, XL
26 ---- 427042	Twin Tank Kit (Large Contour Pack only)

Key # Part # Description**Wave • Wave Jr. 2005-09 (Sea Quest)**

1 ---- 15309	Gasket, Universal Connector
2 ---- 42754	Dump Valve Kit, Universal
3 ---- 28228	Universal Cylinder Band
4 ---- 10017	Traction Sleeve for Tank Band
9 ---- 12241	Buckle, Male, 1.0, Airlock
10 ---- 15665	Cap, Universal Connector
11 ---- 45822	MP Braided Hose, 22" (Jr.)
12 ---- 45827	MP Braided Hose, 27" XS-XL
14 ---- 427189	Waistband Set, Adjustable Web, Jr.
15 ---- 427190	Waistband Set, Adjustable Web, XS
16 ---- 427191	Waistband Set, Adjustable Web, SM
17 ---- 427192	Waistband Set, Adjustable Web, MD
18 ---- 427193	Waistband Set, Adjustable Web, ML
19 ---- 427194	Waistband Set, Adjustable Web, LG
20 ---- 427195	Waistband Set, Adjustable Web, XL
21 ---- 12247	Buckle, F, 2.0, Airlock, Blk
22 ---- 12248	Buckle, M, 2.0, Airlock, Blk
Backpack Parts	
5 ---- 12126	Backpack Frame
6 ---- 12127	Pack Cradle, w/ Pad Installed, Blk
7 ---- 15129	Bolt, 19mm Hex, Brass Chrome/Pltd
8 ---- 15130	Nut, 19mm Hex, Brass Chrome/Pltd
13 ---- 427096	Backpad, Wave/Pacifica, Unv
Wave Jr. Part Only	
23 ---- 42718	Weight Pouch, 6 lb, Grey Handle
24 ---- 427056	Cylinder Band, 30 cu.ft. Cyl. (Jr. version)
25 ---- 427057	Crotch Strap Kit (Jr. version only)

Key # Part # Description**Pro Unlimited (Sea Quest)**

1 ---- 42797	Weight Pouch, 10lb, Surelock II, XS-ML
2 ---- 42767	Weight Pouch, 10lb, Surelock, XS-ML
3 ---- 42798	Weight Pouch, 16lb, Surelock II, LG-XXL
4 ---- 42768	Weight Pouch, 16lb, Surelock, LG-XXL
5 ---- 12235	Buckle, Female, 1.5", Airlock
6 ---- 12261	Buckle, Male, 1.5", Airlock
7 ---- 12024	Buckle, Female, 1.5", Standard (pre-2002)
8 ---- 12037	Buckle, Male, 1.5", Standard (pre-2002)
9 ---- 12060	Snaphook
10 ---- 12114	Batten, Adjustable Lumbar System
11 ---- 15309	Gasket, Universal Connector
12 ---- 16317	Nut, Squeeze Lock Knife
13 ---- 16319	Screw, Metric, Squeeze Lock Knife (July '04)
14 ---- 16320	Nut, Metric, Squeeze Lock Knife
15 ---- 45822	MP Braided Hose, 22", SM-MD
16 ---- 45825	MP Braided Hose, 25", ML-LG
17 ---- 45827	MP Braided Hose, 27", XL-XXL
18 ---- 28228	Universal Cylinder Band
19 ---- 42754	Dump Valve Kit, Universal
20 ---- 12019	Clip Lock, Multi-set Waistband
21 ---- 41952	Knife Hose Mount Kit, Squeeze Lock Knife
22 ---- 427040	Carry Handle Kit (Large Contour Pack only)
23 ---- 427039	Chest Strap Kit
24 ---- 427042	Twin Tank Kit (Large Contour Pack only)

Buoyancy Compensator Accesories

Aqua Lung

Apeks

Part # Description

BC Inflator Service Kits

42609 ---- Powerline Inflator
 900020 --- i3 Inflator
 42611 ---- BC Puncture Repair Kit
 42738 ---- Pull Dump Cord (25')

Part # Description

BC Inflator Service Kits

N/A **WTX Inflator**, All parts for service must be individually purchased
 42611 ---- BC Puncture Repair Kit
 42738 ---- Pull Dump Cord (25')

Aqua Lung Cylinder Bands

428230 ---GripLock Tank Band (for Wrapture Pack)
 428210 ---GripLock Tank Band (for non-Wrapture Pack)
 28228 ---- Universal Cylinder Band
 10017 ---- Traction Sleeve for Univ Cylinder Band
 12134 ---- Traction Sleeve, Small

Part # Description

Apeks Cylinder Bands

428240 ---GripLock Tank Band (for Wrapture Pack)
 428250 ---GripLock Tank Band (for non-Wrapture Pack)
 28228 ---- Universal Cylinder Band
 10017 ---- Traction Sleeve for Univ Cylinder Band

Part # Description

Air Source Hi-Flow MP Inflator Hoses

25460-- 3/8 x 27, Airsource 2/3 w/quick disconnect,Braided
 15191-- 3/8 x 25, (for Airsource 3 w/shut-off valve)
 42639-- O-ring kit, Air Source Quick Disconnect

Miscellaneous

Part # Description

MP Inflator Hoses

45822 ---- MP Braided Hose, 3/8 x 22" Black
 45825 ---- MP Braided Hose, 3/8 x 25" Black
 45827 ---- MP Braided Hose, 3/8 x 27" Black
 45833 ---- MP Braided Hose, 3/8 x 33" Black
 45836 ---- MP Braided Hose, 3/8 x 36" Black
 45840 ---- MP Braided Hose, 3/8 x 40" Black
 43827 ---- MP Hose, 3/8 x 27" Black, (for Wave BC)

Key # Part # Description

Miscellaneous

1 ---- 42705 BC Carry Bag, Grey
 2 ---- 42719 BC Carry Bag, Black (Women's BCS)
 3 ---- 427031 Waistband Expander for 4" to 5.5" wide band (adds up to 8" in length)
 4 ---- 15285 Anchorline Retainer, Silicone

Weight Pouches

SureLock 2 (10lb)
42797



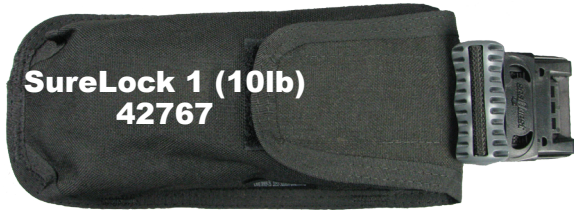
SureLock 2 (15lb)
42799



SureLock 2 (16lb)
42798



SureLock 1 (10lb)
42767



Apeks SureLock (10lb)
for WTX
42784



SureLock 1 (16lb)
42768



Universal (10lb)
42726



Universal (16lb)
42716



Wave Jr Pouch (6lb)
42718



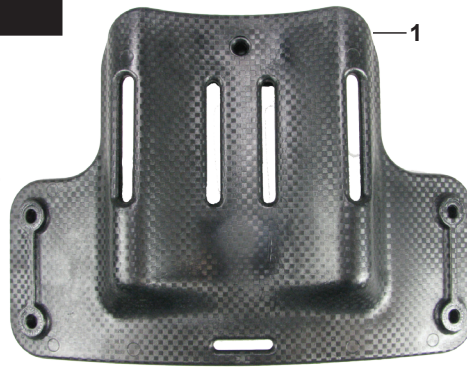
Trim Pocket (5lb)
427085



BackPack Components

Key #	Part #	Description
-------	--------	-------------

- Wrapture**
- 1 ---- 12121 Wrapture Backpack/Frame
 - 22121 Wrapture Backpack/Frame (Blk Ice)
 - 2 ---- 12137 Plate (oval Shaped)
 - 3 ---- 15050 Screw, 10-24 X 3/8" (for center of pack)
 - 4 ---- 15051 Threaded Barrel (for center of pack)
 - 5 ---- 15136 Screw, 10-24 X 3/4" (for plate)
 - 6 ---- 15135 Flanged Nut, 10-24 (for plate)



For The Following Models:
Axiom, Axiom i3, Dimension i3,
Lotus i3, Soul i3, Black Ice

Key #	Part #	Description
-------	--------	-------------

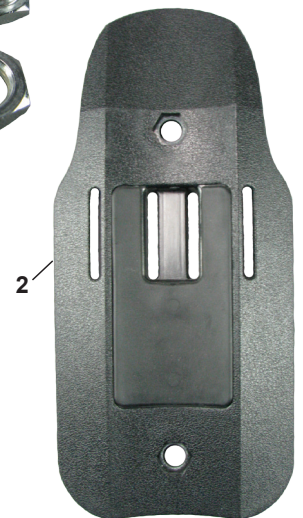
- 1 ---- 12131 Backpack Frame
- 2 ---- 12132 Cradle, co-molded (strap not included)
- 3 ---- 15050 Screw, 10 X 3/4" (need 6)



For The Following Models:
Pro LT, Pro QD 08>, Wave 10>

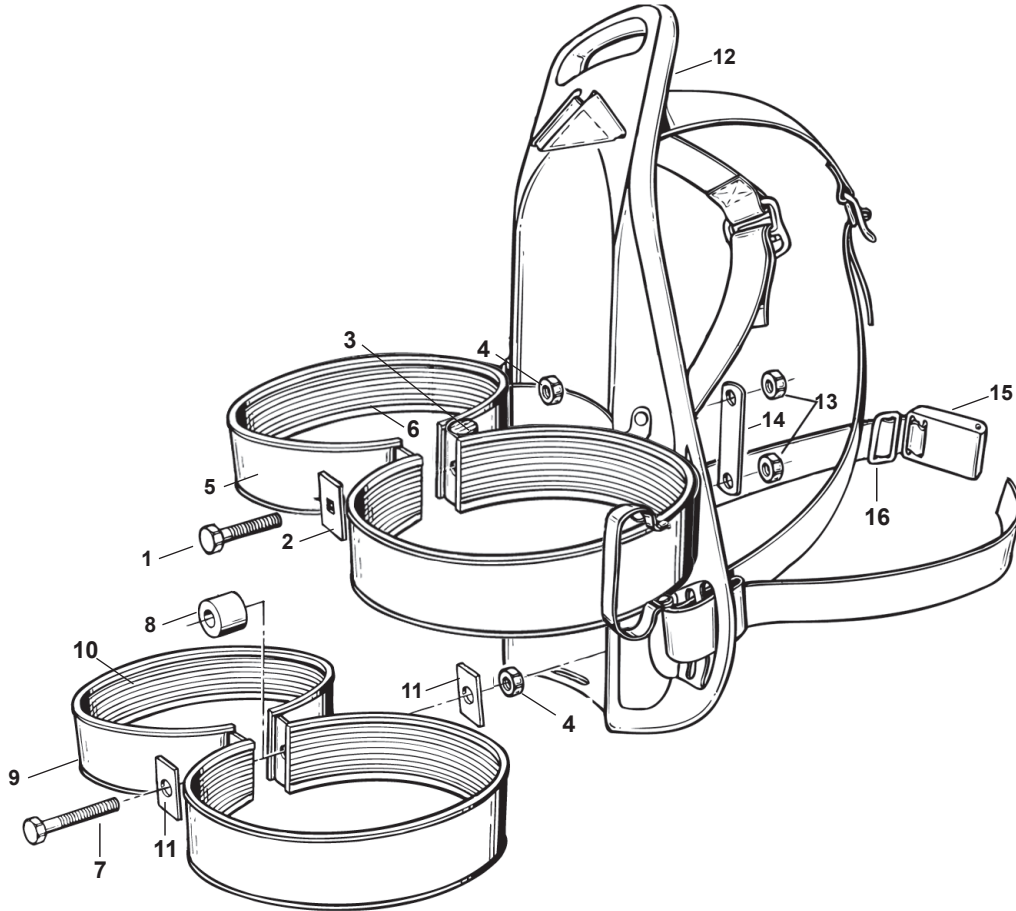
Key #	Part #	Description
-------	--------	-------------

- 1 ---- 12126 Backpack Frame
- 2 ---- 12127 Cradle, w/ Pad Installed, Blk
- 3 ---- 15129 Bolt, 19mm Hex, Brass, Chrome/Pltd
- 4 ---- 15130 Nut, 19mm Hex, Brass, Chrome/Pltd



For The Following Models:
Latitude, Latitude XLT, Pacifica,
Passport, Wave 05-09

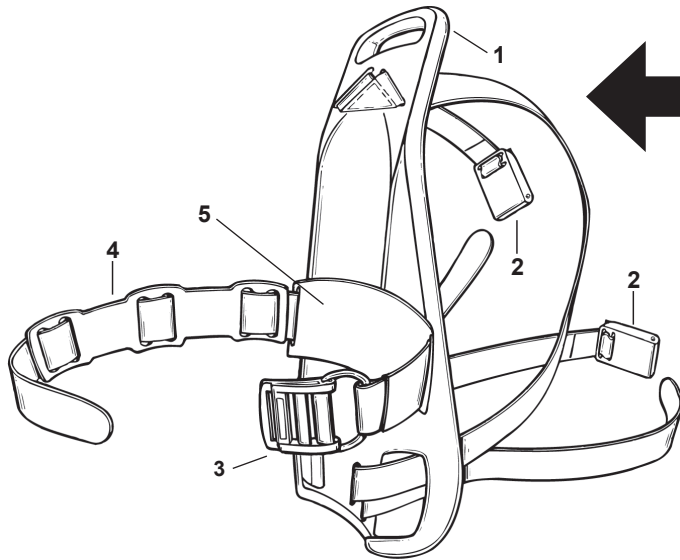
Mariner Twin Backpack



Key #	Part #	Description
----	083400	Mariner Twin Back Pack
1----	838032	Bolt, Hex, .3125-18x3"
2----	082304	Plate, Back-up
3----	082923	Spacer
4----	852021	Nut, Hex, 5/16-18
5----	083401	Band, Top, 7.25"
6----	082940	Cover, Non-slip
7----	838031	Bolt, Hex, .312-18x4"
8----	082729	Spacer, 1" x 2", Blk Nylon
9----	083410	Band, Bottom, 7.25"
10----	081240	Cover, Non-slip
11----	081245	Plate, Back-up
12----	082801	Frame
13----	852014	Nut, #10-32, Brass
14----	081810	Brace
15----	10081	Buckle Cam
16----	762325	Slide, Buckle

Kam Pac • Twin Harness • Military BC

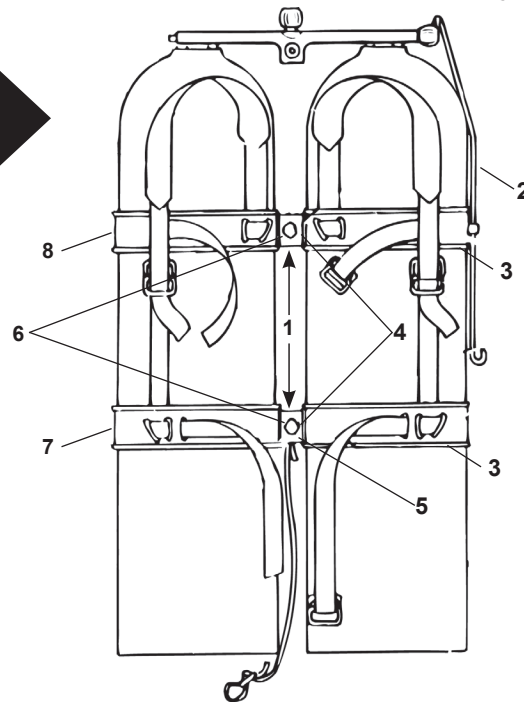
MARINER KAM PAC (088150)



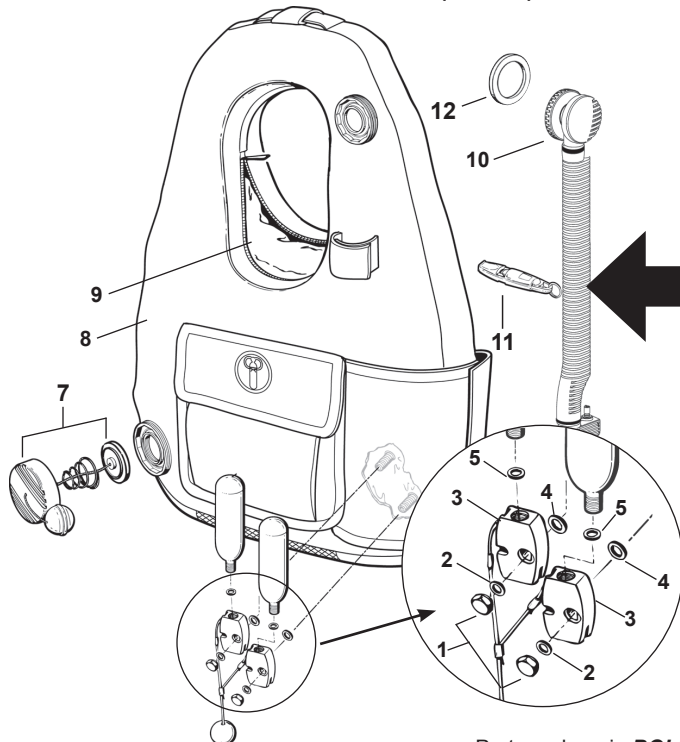
Key #	Part #	Description
1	088110	Frame
2	10081	Buckle Cam
3	28228	Universal Tank Band
4	10017	Traction Sleeve, Tank Band
5	088107	Traction Pad, Slotted
N/S	088151	Non-slip Lanyard

Key #	Part #	Description
-----	082700	7.25" Harness Assembly, Complete
-----	081215	Strap Kit
1	081245	Back-up Plate
2	074305	Reserve Pull Rod
3	081240	Cover, Non-slip
4	838031	Bolt, Hex, .312-18x4"
5	082729	Spacer, 1"x2". Blk Nylon
6	852021	Hex Nut
7	082723	Band, Bottom
8	082721	Band, Top

TWIN HARNESS ASSEMBLY (for 7.25" cylinders)



CALYPSO MILITARY BC (394050)



Key #	Part #	Description
1	13216	Cap Nut
2	15737	Gasket
3	13207	Firing Mechanism, W/O Ball & Cord
4	15738	Gasket
5	704014	Gasket, CO₂ Cartridge
6	13220	CO ₂ Cartridge, 38 gram
7	42754	Overpressure Relief Valve Assembly
8	4394051	Outer Bag
9	394052	Inner Bladder
10	42746	Powerline Airway Assy
11	12219	Whistle
12	15309	Gasket

Part numbers in **BOLD ITALICS** indicate standard overhaul replacement part.

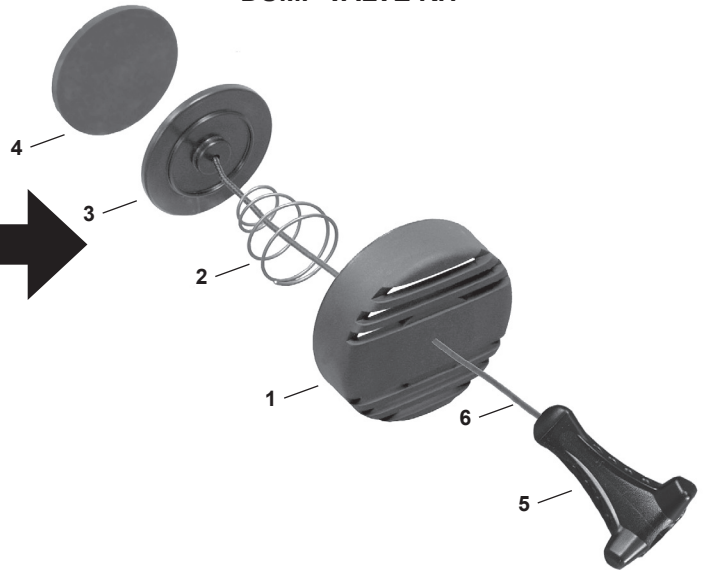
Cap-Off • Dump Valve Kits • CO2 Assembly

CAP-OFF



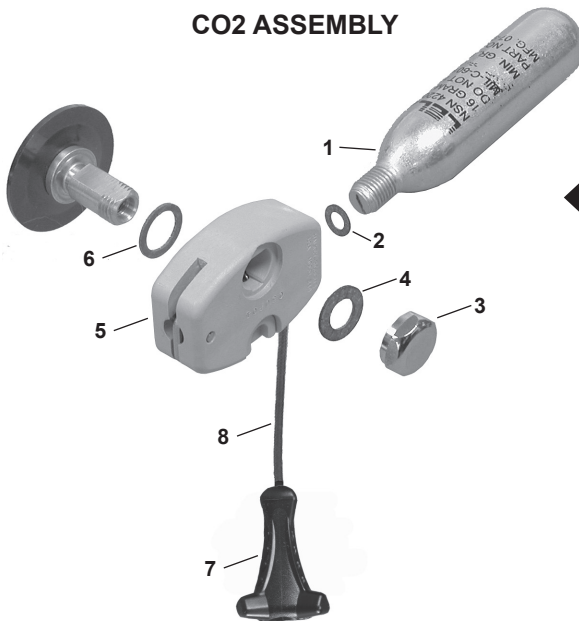
Key #	Part #	Description
1----	15309	Gasket, Connector Seal
2----	15665	Cap, Connector, Acme Thread

DUMP VALVE KIT



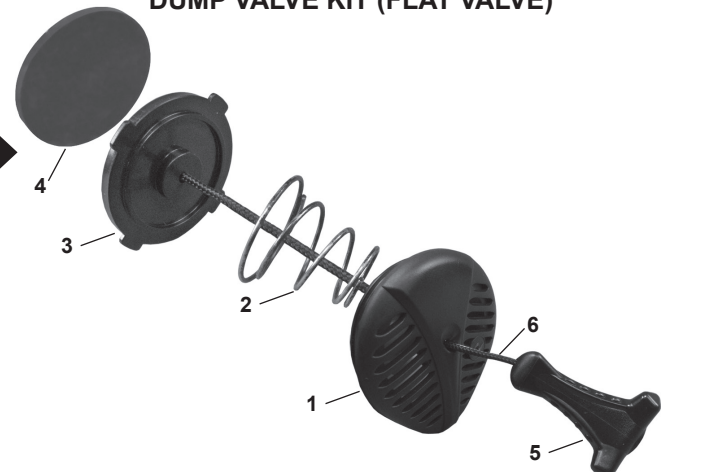
Key #	Part #	Description
----	42754	Dump Valve Kit, Acme Thread
1----	10079	Cap, Over Pressure
2----	15617	Spring
3----	15650	Plate
4----	15604	Seal
5----	12277	Pull Knob
6----	42738	Pull Dump Cord (25')

CO2 ASSEMBLY



Key #	Part #	Description
1----	13211	CO2 Cartridge, 16 gram
2----	704014	Gasket
3----	13216	Nut
4----	15737	Nut Gasket
5----	13207	Detonator
6----	15738	Base Gasket
7----	12277	Pull Knob
8----	42738	Pull Dump Cord (25')


DUMP VALVE KIT (FLAT VALVE)




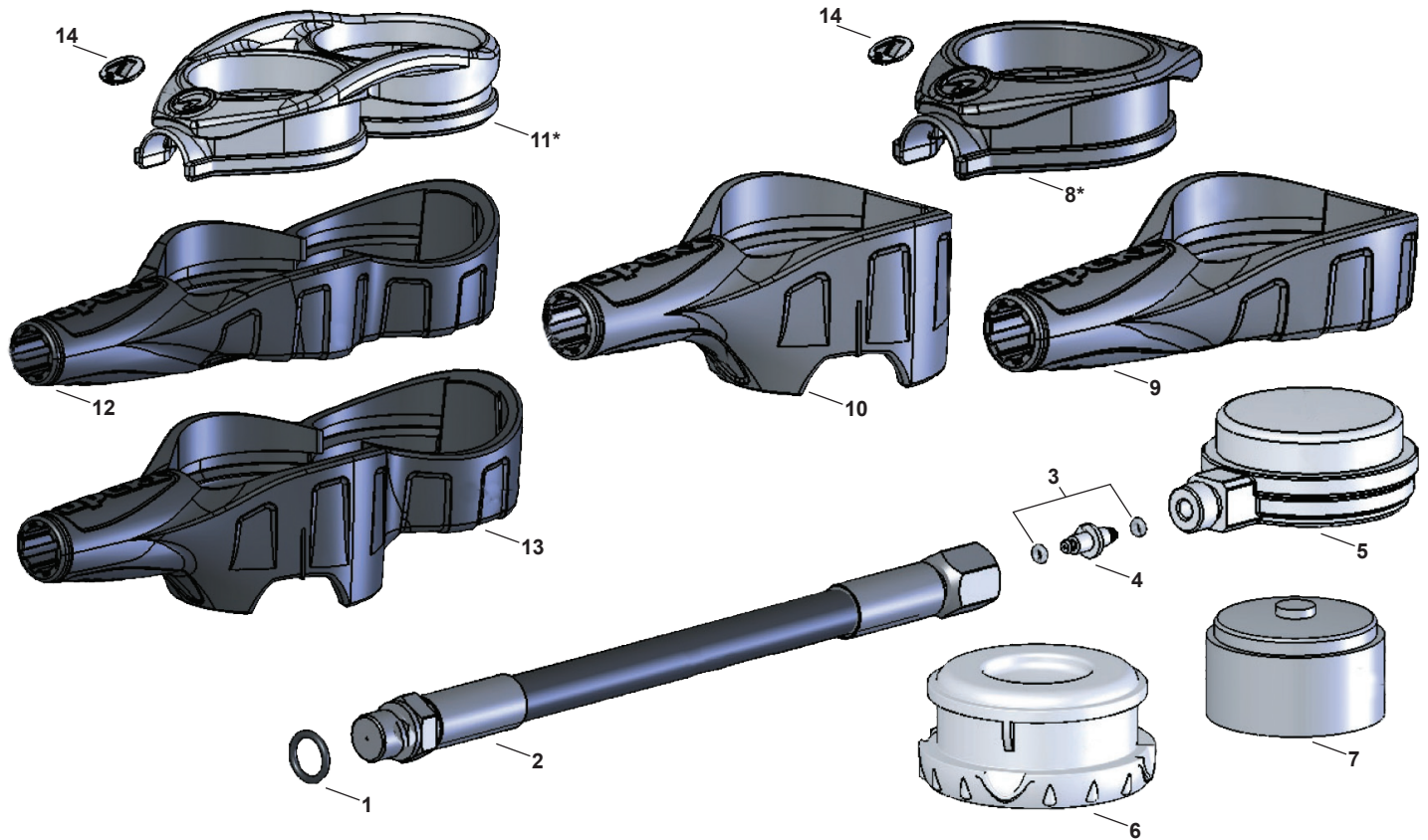
Key #	Part #	Description
----	42764	Dump Valve Kit, Flat Valve
----	42704	Dump Valve Kit, Flat Valve (Apeks)
1----	15441	Cap, Low Profile, Blk
----	15451	Cap, Low Profile, Blk (Apeks)
2----	15617	Spring
3----	15442	Seal Plate, Low Profile
4----	15443	Seal, Low Profile
5----	12277	Pull Knob
----	12234	Pull Knob (Apeks)
6----	42738	Pull Dump Cord (25')

Part numbers in **BOLD ITALICS** indicate standard overhaul replacement part.

Apeks Analog Instruments

 ***NOTE:** The bezel #11, will only fit on boots #12 and #13.

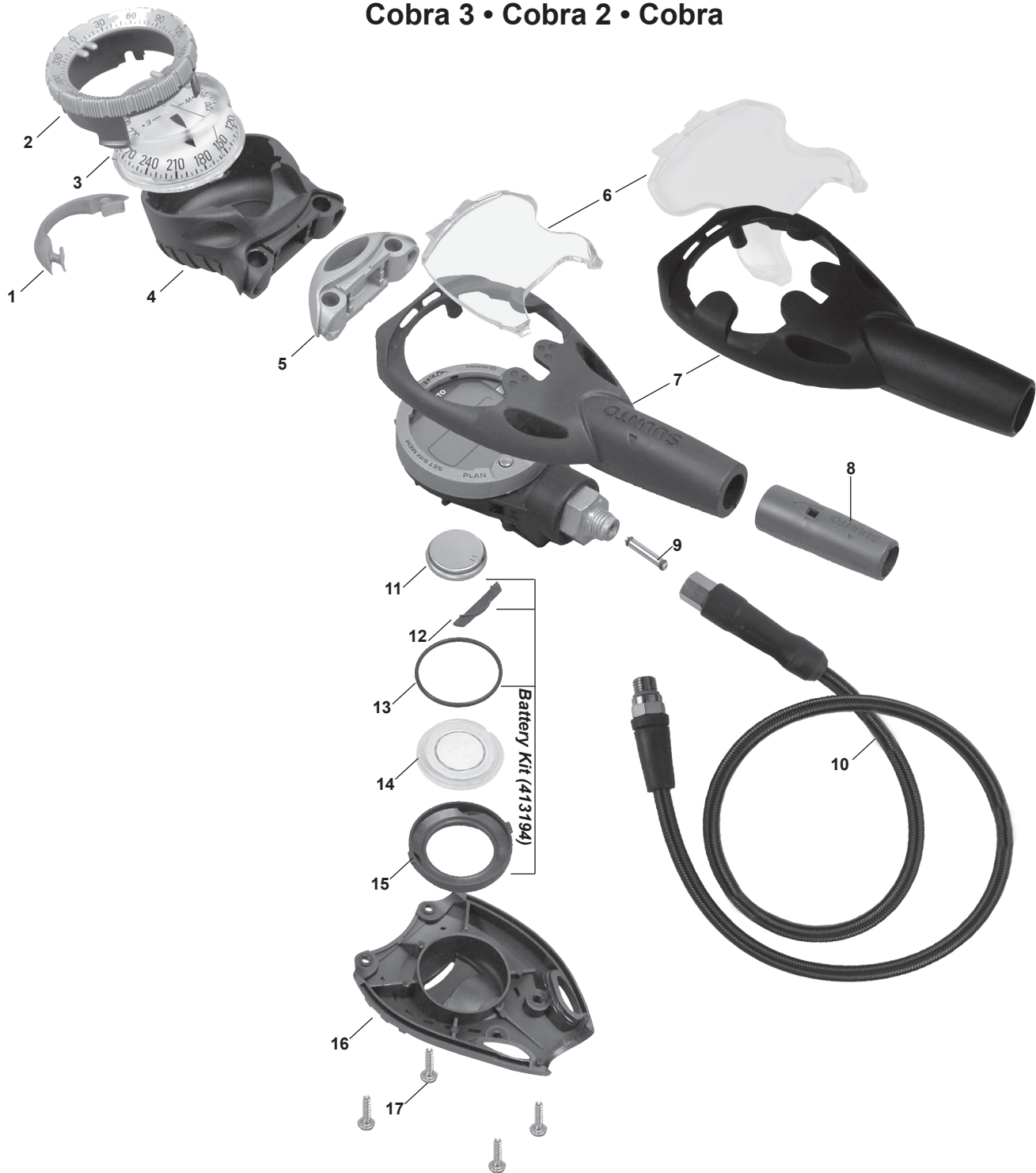
 ***NOTE:** The bezel #8, will only fit on boots #9 and #10.



Key #	Part #	Description
1	AP1445P	O-ring (10 pk)
2	AP7610	HP Hose, 800mm
3	AP1157P	O-ring (10 pk)
4	AP522002P	HP Spool w/no O-rings (5 pk)
5	AP5745	SPG, Module, Brass, 5000 psi
6	AP5706	Compass, Module
7	AP5746	Depth Gauge, Module, 230 ft
8	AP5702	Bezel, Pewter
	AP5702NP	Bezel, Green, O2
9	AP5701	Boot, SPG only
10	AP5731	Boot, 2-Gauge, SPG/Cmps
11	AP5703	Bezel, 2-Gauge, Pewter
12	AP5704	Boot, SPG/Depth
13	AP5705	Boot, SPG/Depth/Cmps
14	AP7596B	Logo, Insert, Blk

Part numbers in **BOLD ITALICS** indicate standard overhaul replacement part.

Cobra 3 • Cobra 2 • Cobra

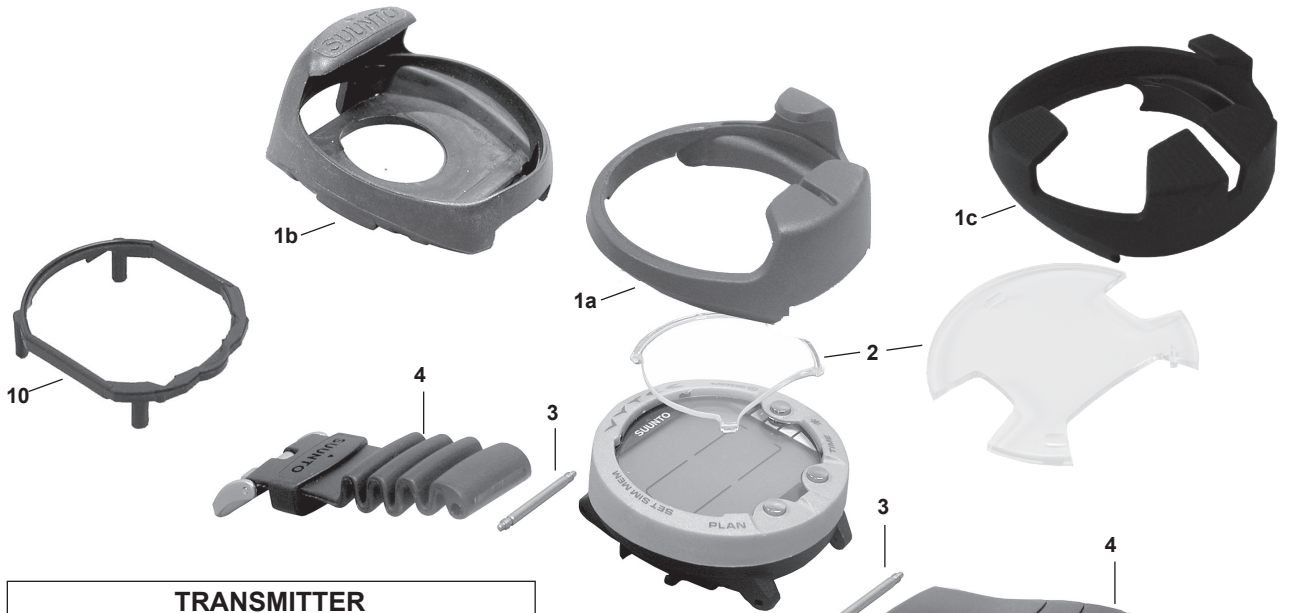


Key #	Part #	Description
-----	413194	Battery Kit (Includes items 11, 12, 13, 15)
-----	188980	Module, Cobra 3, Black
-----	V5876	Module, Cobra
1----	V6281	Hook
2----	6310	Bezel, SK7, w/Friction Ring
3----	186590	Compass Module, SK7, N.Hemisphere
4----	K5459	Boot, Compass, SK7, CB71
5----	185920	End Cap, Black
-----	14411	End Cap, Blue
-----	413205	End Cap, Silver
6----	13145	Shield, Display, Cobra 3/2
-----	V5850	Shield, Display, Cobra

Key #	Part #	Description
7----	14410	Boot, Front, Cobra 3
-----	12780	Boot, Front, Cobra 2
-----	413206	Boot, Front, Cobra
8----	NLA	Hose Protector
9----	730486	Air Spool, SPG, w/O-rings, Single
10----	19631	Hose, HP, Braided, 7/16 x 31.5 w/2-Hose Protectors
-----	102023	Hose, HP, Rubber 7/16 x 38
11----	NLA	Battery
12----	413195	Spacer, Battery
13----	NLA	O-ring
14----	413196	Cover, Battery, w/Beeper
15----	413197	Ring, Retaining, Battery Cover
16----	413207	Back Cover, Cobra Boot
17----	413208	Screw, Cobra Boot (4 required)

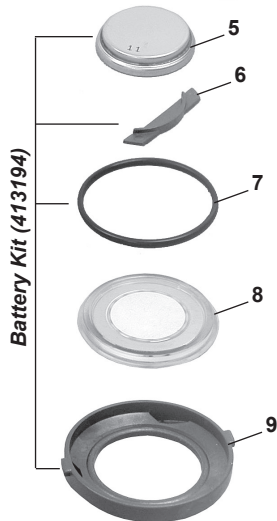
Part numbers in **BOLD ITALICS** indicate standard overhaul replacement part.

Helo2 • Vyper Air • Vytec • Vyper 2 • Vyper • Zoop • Gekko • Transmitter



TRANSMITTER

Key #	Part #	Description
-----	413100	Battery Kit (includes items 11, 12, 13, 14)
11 ----	V5824	Cap
12 ----	NLA	O-ring
13 ----	NLA	Battery, 1/2AA Lithium, 3v
14 ----	957004P	O-ring, HP (25 pk)
15 ----	K5542	Screw (4 required)



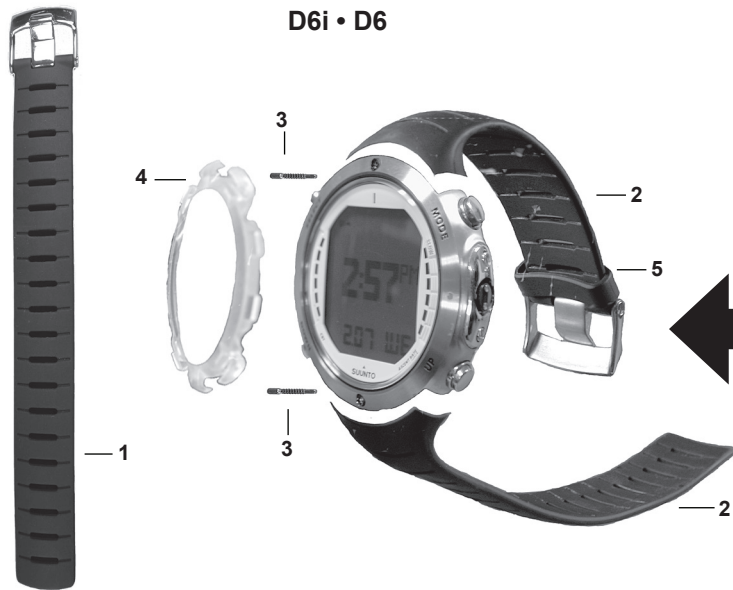
Key #	Part #	Description
-----	413194	Battery Kit (includes items 5, 6, 7 & 9)
-----	188990	Module, Vyper Air, Black
-----	5404M	Module, Vyper
-----	14900	Module, Zoop, Black
-----	16425	Module, Zoop, Orange
1a ----	K5534	Boot, Wrist, Vytec TN6
1b ----	413168	Boot, Wrist, Vyper
1c ----	131380	Boot, Wrist, Vyper Air/2
N/S ---	14517	Boot, Wrist, Hel02
2 ----	V5875	Shield, Display, Zoop, Gekko, Vytec, Vyper
-----	131260	Shield, Display, Vyper Air/2, Hel02
3 ----	413191	Spring Bar
4 ----	413167	Strap, Wrist, Helo2, Vyper (incl. 2 spring bars)
N/S ---	13194	Strap, Wrist, Vyper Air/2 (no spring bars)
5 ----	NLA	Battery
6 ----	413195	Spacer, Battery
7 ----	NLA	O-ring
8 ----	413196	Cover, Battery, w/Beeper
N/S ---	14512	Cover, Battery, Hel02
9 ----	413197	Ring, Retaining, Battery Cover
10 ----	413166	Adapter, Console (CB52)

Part numbers in **BOLD ITALICS** indicate standard overhaul replacement part.

D4i • D4 • D6i • D6 • DX • D9TX • D9

Key #	Part #	Description
1	-----13386	Strap Extension, Black
	-----14014	Strap Extension, Blue
	-----14015	Strap Extension, Yellow
	-----14016	Strap Extension, Pink
	-----14518	Strap Extension, Red
2	-----13586	Strap Kit w/Screws, Black
	-----20023	Strap Kit w/Screws, Twilight
	-----14011	Strap Kit w/Screws, Blue
	-----185490	Strap Kit w/Screws, Hot Pink
	-----14012	Strap Kit w/Screws, Yellow
	-----14013	Strap Kit w/Screws, Pink
	-----14436	Strap Kit w/Screws, Red
3	-----13400	Strap Loop
N/S	-----13587	Display Guard, Stick On

D4i • D4



D6i • D6

Key #	Part #	Description
1	-----156660	Strap Extension
2	-----12606	Strap w/Screws, Blk
	-----187450	Strap w/Screws, White
3	-----11986	Screw, strap
4	-----12605	Display shield with retainer ring
5	-----120850	Strap Loop
N/S	-----13525	Bracelet, Stainless Steel
N/S	-----13587	Display Guard, Stick On
N/S	-----135260	Kit, SS Links (2)
N/S	-----194790	Kit, SS Blk Links (2)

DX • D9TX • D9

Key #	Part #	Description
1	-----182150	Strap extension, D9TX
	-----156670	Strap extension, D9
2	-----19022	Screw, strap, DX (elastomer strap)
	-----19570	Screw, strap, DX (Ti strap)
	-----11130	Screw, strap, D9
3	-----190190	Strap Kit with screws, DX
	-----182030	Strap Kit with screws, D9TX
	-----11415	Strap with screws, D9
4	-----168650	Strap Loop, DX
	-----11120	Screw Loop, D9
N/S	-----195540	Bracelet, Titanium, Blk, DX
N/S	-----182040	Bracelet, Titanium, D9TX
N/S	-----120413	Bracelet, Titanium, D9
N/S	-----195550	Kit, Ti Links, Blk (2),DX
N/S	-----182050	Kit, Ti Links (2),D9TX
N/S	-----13542	Kit, Ti Links (2),D9
N/S	-----13587	Display Guard, Stick On

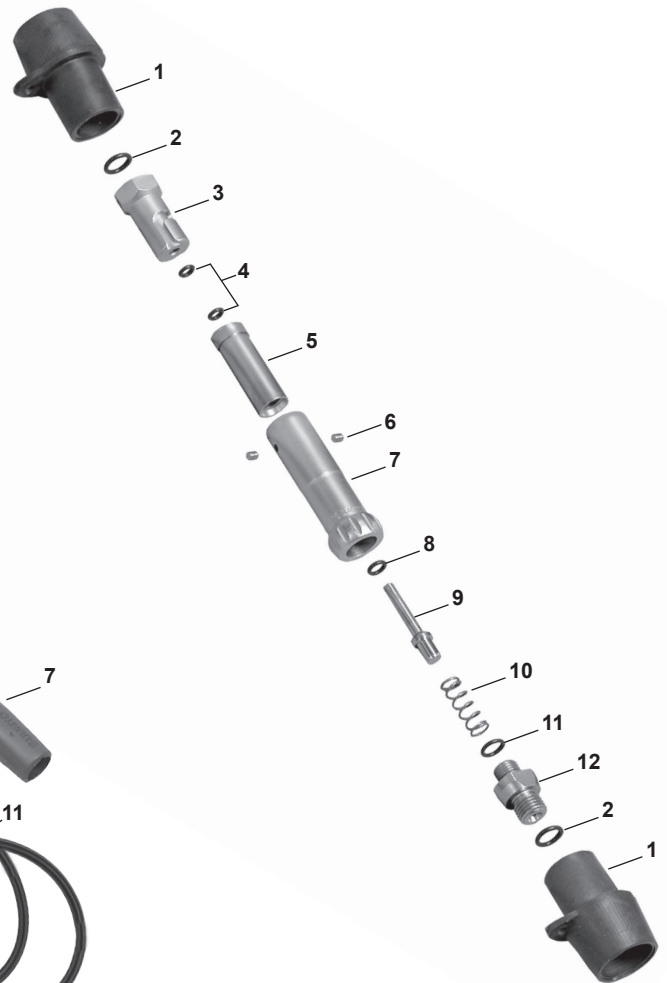


Suunto CB Console • Quick Disconnect

CB CONSOLE



QUICK DISCONNECT



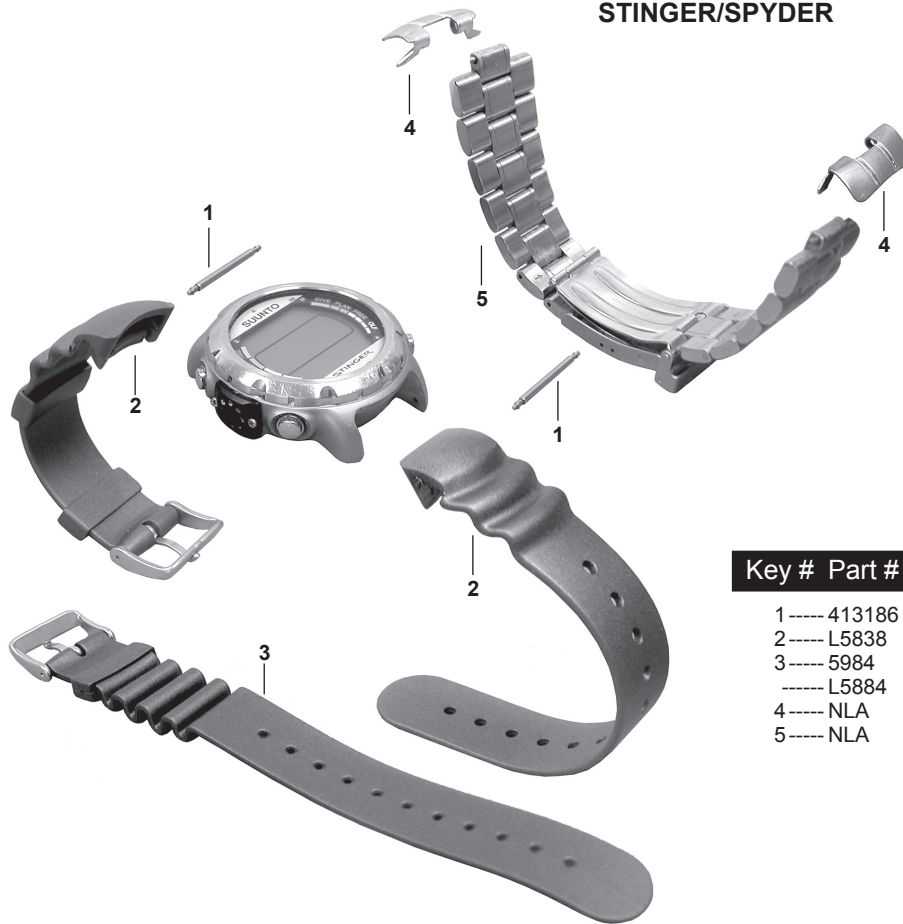
Key #	Part #	Description
----	5237	Boot Kit, CB1 (includes 4, 6, 7, 13, 16)
----	5236	Boot Kit, Blk (includes 5, 12, 16)
1----	6310	Bezel Kit, SK7 End Mount
2----	186590	Compass Module, SK7, N.Hemisphere
3----	K5459	Boot, SK7 Endmount
4----	185920	End Cap, Black
----	413205	End Cap, Silver
5----	NLA	Housing, Inline Boot
6----	NLA	Housing, CB1 Boot
7----	NLA	Hose Protector (2 pack)
8----	41128	Module, Depth Gauge, 150'
----	V5306	Module, Depth Gauge, 230'
9----	41175	SPG, Imperial, 5000 PSI
----	5108M	SPG, Metric, 300 Bar
10----	730486	Air Spool, SPG, w/O-rings, Single
11----	19631	Hose, HP, Braided 7/16 x 31.5 w/2-Hose Protectors
----	102023	Hose, HP, Rubber 7/16 x 38
12----	NLA	Backplate, Inline Boot
13----	K5200	Backplate, CB1 Boot
14----	6311	Bezel Kit, SK7, Backmount
15----	K5201	Boot, SK7, Backmount
16----	413208	Screw
17----	V6281	Clip, End Mount

Key #	Part #	Description
1----	V5887	Plug, Rubber (single)
2----	957004P	O-ring, HP (25 pk)
3----	NLA	QR Fitting, Male
4----	K5168	O-ring, Internal (2 required)
5----	NLA	HP Housing
6----	NLA	Pin, Retaining
7----	NLA	QR Fitting, Female
8----	K5172	O-ring, Valve Pin
9----	NLA	Valve Pin
10----	NLA	Spring
11----	K5166	O-ring
12----	NLA	Fitting, HP

Part numbers in **BOLD ITALICS** indicate standard overhaul replacement part.

Stinger • Spyder • Mosquito • D3

STINGER/SPYDER



Key #	Part #	Description
1	413186	Spring Bar, Stinger/Spyder
2	L5838	Strap, Elastomer, Grey (incl. ext strap)
3	5984	Strap, Extension, Black
	L5884	Strap, Extension, Grey
4	NLA	End Piece, Bracelet, Silver
5	NLA	Bracelet, Gold/Silver (incl. end pieces & pins)

Key #	Part #	Description
	5983	Battery Kit, Mosquito/D3
1	NLA	Strap, Elastomer, Mosquito/D3
2	NLA	Display Shield
3	K4515	Pin, Qty 1
N/S	5984	Strap, Extension

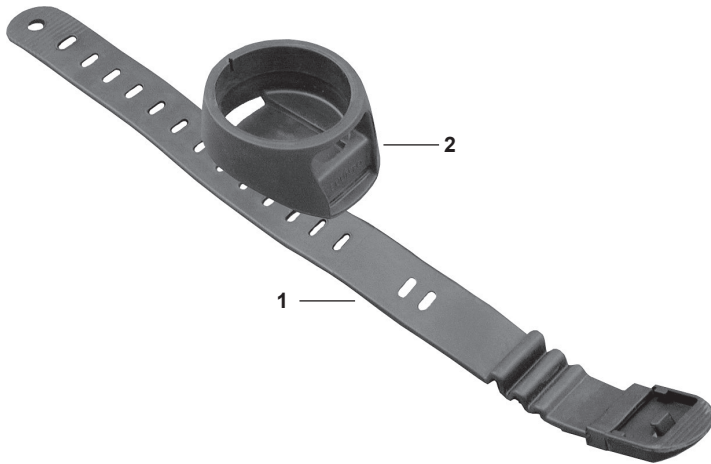
MOSQUITO/D3



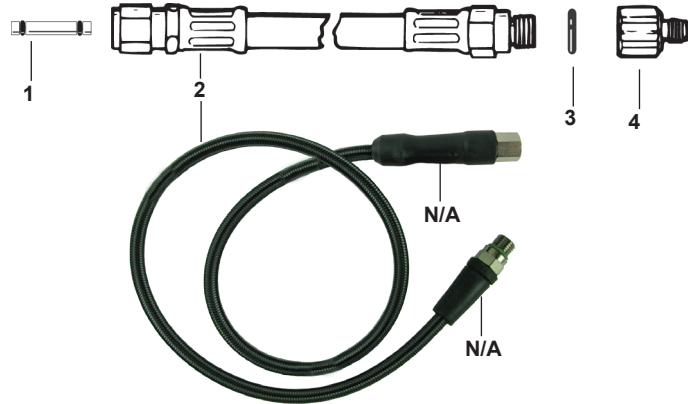
Part numbers in **BOLD ITALICS** indicate standard overhaul replacement part.

Compass Wrist Boot • Straps • Miscellaneous

SK7 WRIST BOOT



SUUNTO HP HOSE



Key #	Part #	Description
-------	--------	-------------

- | | | |
|---|--------|----------------------|
| 1 | 413138 | Strap, Wrist, Rubber |
| 2 | 413170 | Boot, Wrist, SK7 |

Key #	Part #	Description
-------	--------	-------------

- | | | |
|---|---------|---|
| 1 | 730486 | Air Spool, with O-rings |
| 2 | 19631 | Hose, HP, Braided 7/16 x 31.5 w/2-Hose Protectors |
| | 102023 | Hose, HP, Rubber 7/16 x 38 |
| 3 | 957004P | O-ring, HP (25 pk) |
| 4 | 101785 | Adapter, HP, 7/16" Female to 3/8" Male |

MISCELLANEOUS PARTS (not shown)

Key #	Part #	Description
-------	--------	-------------

- | | | |
|----|--------|--|
| 1 | 413109 | Boot, SPG, Strap Style |
| 2 | 413149 | Screws, Backplate, Wrist Gauge, (4 pk) |
| 3 | 745930 | Retractor Kit, Suunto Computers |
| 4 | 413203 | Retractor, SK7, without Compass |
| 5 | 413210 | Plate, Retractor (for add on SK7) |
| 6 | 413138 | Wrist Strap (Favor S) |
| 7 | 413174 | Bezel (SK7) |
| 8 | 413188 | Friction Ring (SK7) |
| 9 | 186590 | Compass Module, SK7, N.Hemisphere |
| 10 | 413139 | Wrist Strap, Nylon (SK6) |

APEKS HP HOSE

Part #	Description
--------	-------------

- | | |
|-----------|-------------------------------|
| AP7610 | Hose, HP, 7/16 x 800mm, Apeks |
| AP522002P | HP Spool w/no O-ring, (5 pk) |
| AP1157P | O-ring for spool, (10 pk) |

BATTERY KITS (not shown)

Key #	Part #	Description
-------	--------	-------------

- | | | |
|---|--------|--|
| 1 | 413194 | Battery Kit (Helo/Vytec/Cobra/Vyper/Zoop/Gekko) |
| 2 | 413100 | Battery Kit (Transmitter) |
| 3 | 5983 | Battery Kit (Mosquito / D3) |
| 4 | 413165 | Battery Kit (Eon / Favor Air) |
| 5 | 413164 | Battery Kit 3v (Favor / Companion) |
| 6 | 413163 | Battery Kit 3.6v (Solution / Fusion / Favor Lux) |

Masks • Snorkels

Aqua Lung Mask Parts

Key #	Part #	Description
-------	--------	-------------

- Seal • Sphera**
 1 ---- 220312 Strap, Clear, Seal Mask
 2 ---- 220313 Strap, Black, Seal Mask

**Look 2 • Favola • Micro • Infinity • Look HD •
 Teknika • Ventura + • Impression • Linea**

- 1 ---- 502537 Strap, Clear w/ Retainers
 2 ---- 502538 Strap, Black w/ Retainers
 3 ---- 505565 Buckle, Cardanic, pair
 4 ---- 503795 Lens Retainer, Right, Look 2
 5 ---- 503796 Lens Retainer, Left, Look 2
 6 ---- 261181 Center Retainer, Look 2, Red (2 pcs)
 7 ---- 261182 Center Retainer, Look 2, Blue (2 pcs)
 8 ---- 261183 Center Retainer, Look 2, Silver (2 pcs)

Maui • Hawaii

- 1 ---- 502514 Strap, Silicone, Clear
 2 ---- 502524 Strap, Silicone, Black
 3 ---- 502522 Retainer, Strap, Black

Wraparound

- 1 ---- 502608 Buckle, Pair, Black Metal
 2 ---- 507709 Strap, Silicone, Black
 3 ---- 507708 Strap, Silicone, Clear
 4 ---- 502611 Purge Valve w/ Retainer
 5 ---- 502522 Retainer, Strap, Black

Pacifica / Atlantis

- 1 ---- 503605 Buckle, Left & Right
 2 ---- 507709 Strap, Silicone, Black
 3 ---- 507708 Strap, Silicone, Clear
 4 ---- 15852 Purge Valve (Pacifica)
 5 ---- 502522 Retainer, Strap, Black

Tyke • Mythos • Falco

- 1 ---- 502537 Strap, Clear w/Retainers
 2 ---- 502538 Strap, Black w/Retainers

Quartz

- 1 ---- 502527 Strap & Buckle Assembly, Black
 2 ---- 502521 Strap & Buckle Assembly, Clear
 3 ---- 502514 Strap, Silicone, Clear
 4 ---- 504652 Retainer, Strap, Quartz/Cortez
 5 ---- 502528 Buckle Assembly

Look

- 1 ---- 503629 Buckle, Left
 2 ---- 503628 Buckle, Right
 3 ---- 42457 Strap, Silicone, Clear
 4 ---- 42411 Retainer, Strap, Black

Mask Boxes

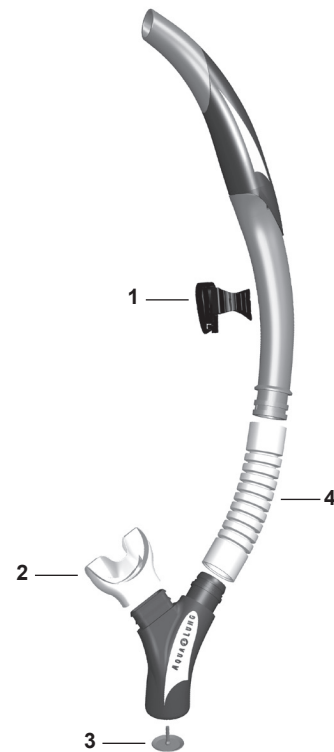
- 1 ---- 505020 Box, Plastic, Hawaii/Quartz/Cortez

Sea Quest Mask Parts

Key #	Part #	Description
-------	--------	-------------

- 1 ---- 42457 Strap, Idea
 2 ---- 42410 Strap, Ventura, Black
 3 ---- 42411 Retainer, Strap, Ventura

AQUA LUNG SNORKEL PARTS



Impulse Snorkels

Key #	Part #	Description
-------	--------	-------------

- 1 ---- 734407 Keeper, Impulse 1,2 or 3
 2 ---- 105838 Comfo-Bite Mouthpiece, Std, Impulse 1,2 or 3
 ---- 105848 Comfo-Bite Mouthpiece, Sm, Impulse 1,2 or 3
 ---- 734409 Comfo-Bite Mouthpiece, Std, Blk, Impulse 1,2 or 3
 3 ---- 100122 Purge Valve Diaphragm, Impulse 1,2 or 3
 4 ---- 734408 Flex Section, Clear, Impulse 3 only
 ---- 734411 Flex Section, Blk, Impulse 3 only

Snap Snorkels

Key #	Part #	Description
-------	--------	-------------

- N/S --- 734333 Keeper, Snap Snorkel

Sea Quest Snorkels

Key #	Part #	Description
-------	--------	-------------

- 1 ---- 105838 Mouthpiece, Sidedraft
 2 ---- 15852 Purge valve, Sidedraft
 3 ---- 734332 Snorkel Keeper, Silicone

Fins • Knives • Lights

Aqua Lung Fin Parts

Key #	Part #	Description
X-Shot • Shot FX		
1----	261892	Spring Strap Assy, 1ea, White, 11"(28cm) Shot FX small
----	261893	Spring Strap Assy, 1ea, White, 11.8"(30cm) Shot FX regular
----	261894	Spring Strap Assy, 1ea, Char, 11.8"(30cm) X-Shot small
----	261895	Spring Strap Assy, 1ea, Char, 12.6"(32cm) X-Shot regular
----	261896	Spring Strap Assy, 1ea, Char, 13.4"(34cm) X-Shot large
Slingshot • Hotshot		
1----	622600	ESBS Strap/Buckle Assy, Red (1-strap w/2 Buckles),Slingshot
----	622605	ESBS Strap/Buckle Assy, Blue (1-strap w/2 Buckles),Slingshot
----	622610	ESBS Strap/Buckle Assy, Silver (1-strap w/2 Buckles),Slingshot
2----	62911	Strap, Hotshot
3----	261888	Strap Cover, Green (6-pieces),Hotshot
----	261889	Strap Cover, Pink (6-pieces),Hotshot
----	261891	Strap Cover, Blue (6-pieces),Hotshot
4----	62587	Powerbands, Spare, Red (2-pieces),Slingshot
----	62588	Powerbands, Spare, Silver (2-pieces),Slingshot
----	62589	Powerbands, Spare, Blue (2-pieces),Slingshot
<i>Powerbands for Hotshot are available by contacting Customer Service</i>		
Express ADJ • Stratos ADJ • Caravelle ADJ		
1----	622600	ESBS Strap/Buckle Assy, Red (1-strap w/2 Buckles)
----	622605	ESBS Strap/Buckle Assy, Blue (1-strap w/2 Buckles)
----	622610	ESBS Strap/Buckle Assy, Silver (1-strap w/2 Buckles)
2----	622615	Strap/Buckle Assy (1-strap w/2 Buckles) Stratos ADJ
Rocket • Rocket II • Compro		
1----	621502	Strap, Rocket or Compro, for Wire Buckles
2----	621132	Strap, Rocket Fin II
3----	621131	Buckles, Metal, Rocket Fin II (1 pair)
4----	622680	Strap/Buckle Assembly, Quick-Release, Rocket II
Older Models		
1----	622695-R	Strap/Buckle Assy, Right, Hands-Free, Blades 2
2----	622695-L	Strap/Buckle Assy, Left, Hands-Free, Blades 2
3----	622690	Strap/Buckle Assy, V-Tek
4----	622680	Strap/Buckle Assy, All AQ Fins (except V-Tek)

Sea Quest Fin Parts

Key #	Part #	Description
1----	42454	Strap, Idea Fin
2----	622680	Strap/Buckle Assy, Idea Fin
3----	42458	Strap/Buckle Assy, Thruster/Accelerator

Aqua Lung Knife Parts

Key #	Part #	Description
1----	41942	Strap/Buckle Assembly, Mako/Vector/Sea Hawk 2/ Sea Master
2----	422441	Sheath, Sea Hawk 2 & Sea Master
3----	422613	Retaining Ring, Sea Hawk 2/SeaMaster

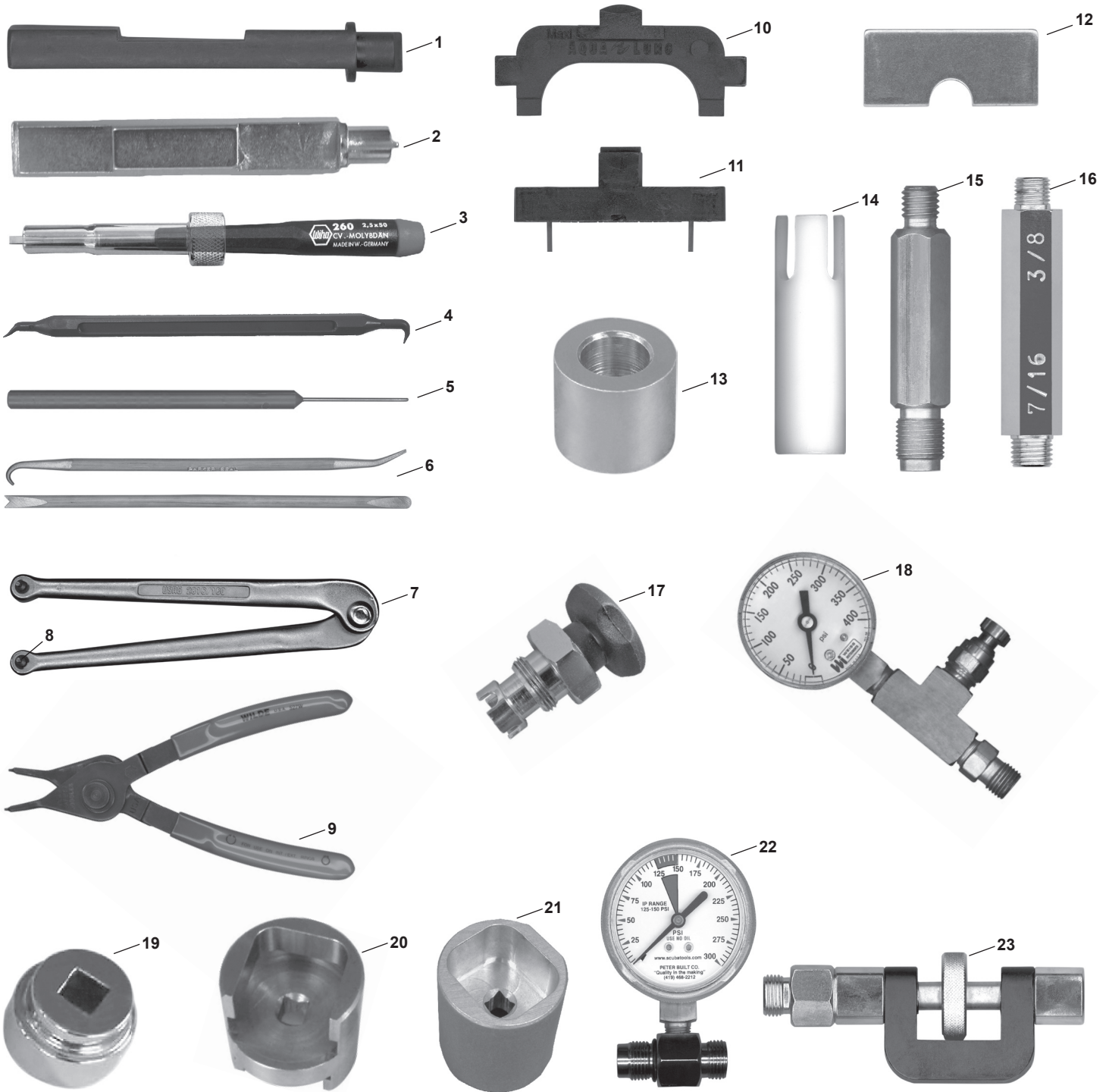
Aqua Lung Light Parts

Key #	Part #	Description
1	266003	LED Repair Kit, Alu Solo (spring, contact plate, LED circuit)

Sea Quest Knife Parts

Key #	Part #	Description
Squeeze Lock Knife		
1----	42652	Nut/Screw Set, Squeeze Lock, 1 ea.
2----	41942	Knife Strap/Buckle, 24", Pair

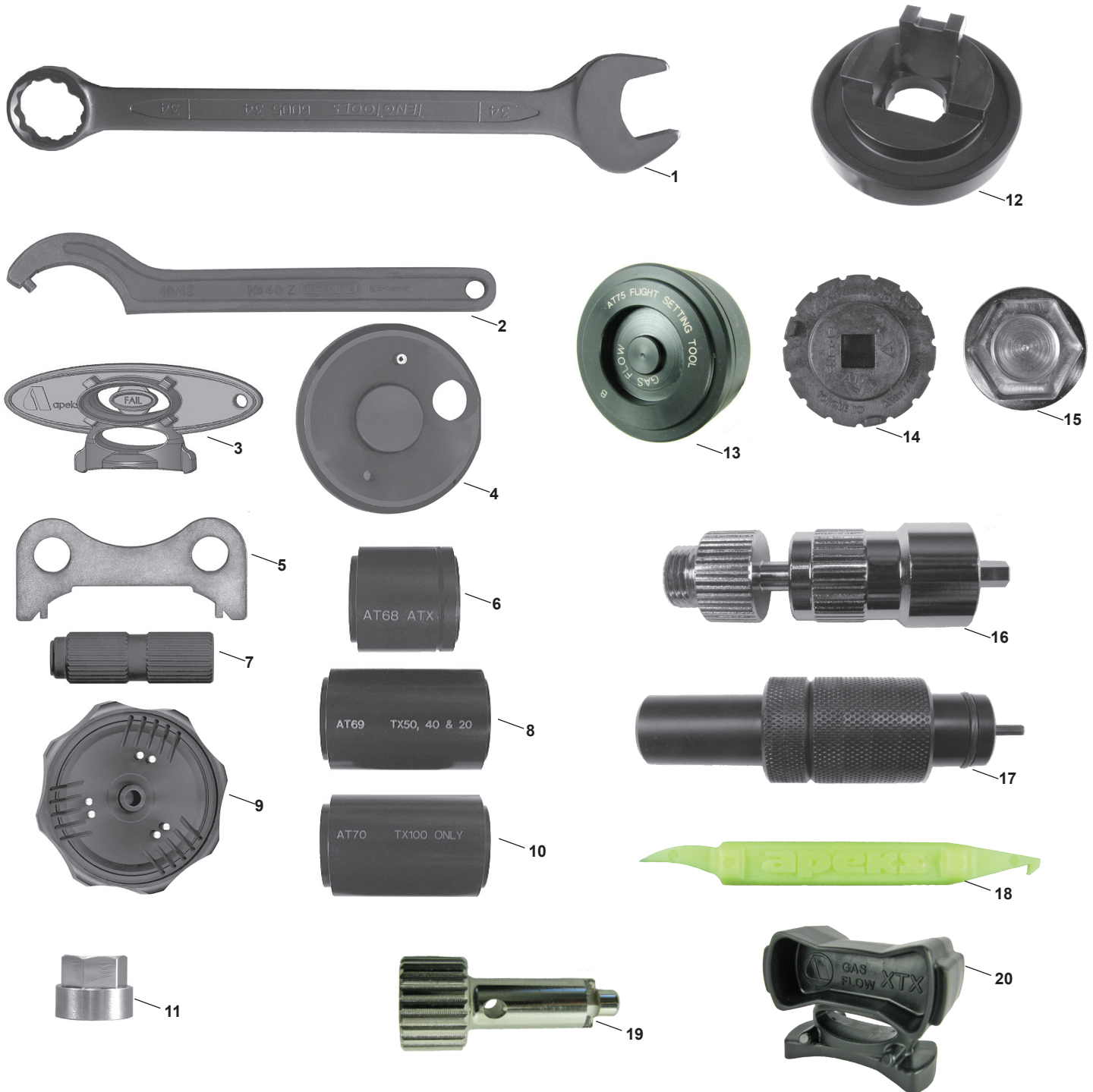
Aqua Lung / Sea Quest Regulator Tools



Key #	Part #	Description
1	125727	Crown Lever Adjustment Tool
2	127686	Kronos Seat/Lever Adjustment Tool
3	101680	Lever Height Adjustment Tool
4	103102	O-ring Tool, Plastic (5-pk)
5	109437	Seat Installation/Extraction Tool
6	944022	O-ring Tool Set
7	129198	Adjustable Face Spanner
8	129197	Pin, Replacement, Adj. Spanner (1 each)
9	111100	Circlip Pliers, Reversible
10	129001	Titan LX Retaining Ring/Lever Height Tool
11	100188	Micra Retaining Ring Tool
12	081247	Supreme Retainer Wrench

Key #	Part #	Description
13	111000	HP Spring Block Assy Guide
14	100884	Micra ADJ Lever Installation Tool
15	100395	Vise Mounting Tool
16	5116230	Vise Mounting Tool
17	111003	Poppet Wrench, Conshelf
18	111610	Test Pressure Gauge, 400 PSI
19	111001	Socket, Inlet Fitting, 26mm
20	122152	Socket, Spring Retainer, Legend/Mistral
21	111002	Socket, Spring Retainer, Titan/Cousteau
22	111605	Inline Test Gauge
23	100190	Inline Adjustment Tool, Slotted & Hexed
N/S	108357	Deluxe Workmat with Windows

Apeks Regulator Tools

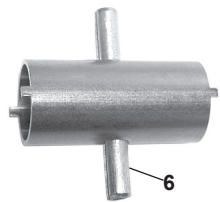
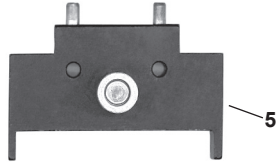
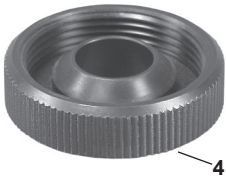
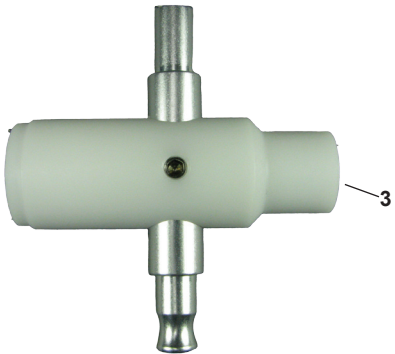


Key #	Part #	Description
1	AT47	Wrench, 34mm (Thin)
2	AT30	Pin Spanner
3	AT20	XTX Cover/Lever Height Tool
4	AT31	ATX/TX Cover Tool
5	AT42	TX100 Cover Tool
6	AT68	Lever Height Tool, ATX
7	AT45	Spring Adjuster Tool
8	AT69	Lever Height Tool, TX50, 40 & 20
9	AT62	Egress Cover/Lever Height Tool
10	AT70	Lever Height Tool, TX100
11	AT21	Status, Valve Lifter Fastener

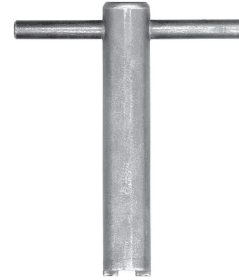
Key #	Part #	Description
12	AT77	Venturi/Inlet Removal Tool, Flight
13	AT75	Lever Height Tool, Flight
14	AT71	Diaphragm Clamp Tool, Flight
15	AT74	Yoke Connector Socket, Flight
16	AT72F	Inline Adjustment Tool, Flight
17	AT76	Micro Adjuster Tool, Flight
18	AT79K	O-ring Tool, (6-pak)
19	AT51	Seat Adjustment Tool
20	AT20F	2013 XTX Cover/Lever Height Tool

BC & Air Source • Valve

BC & AIR SOURCE TOOLS



VALVE TOOLS

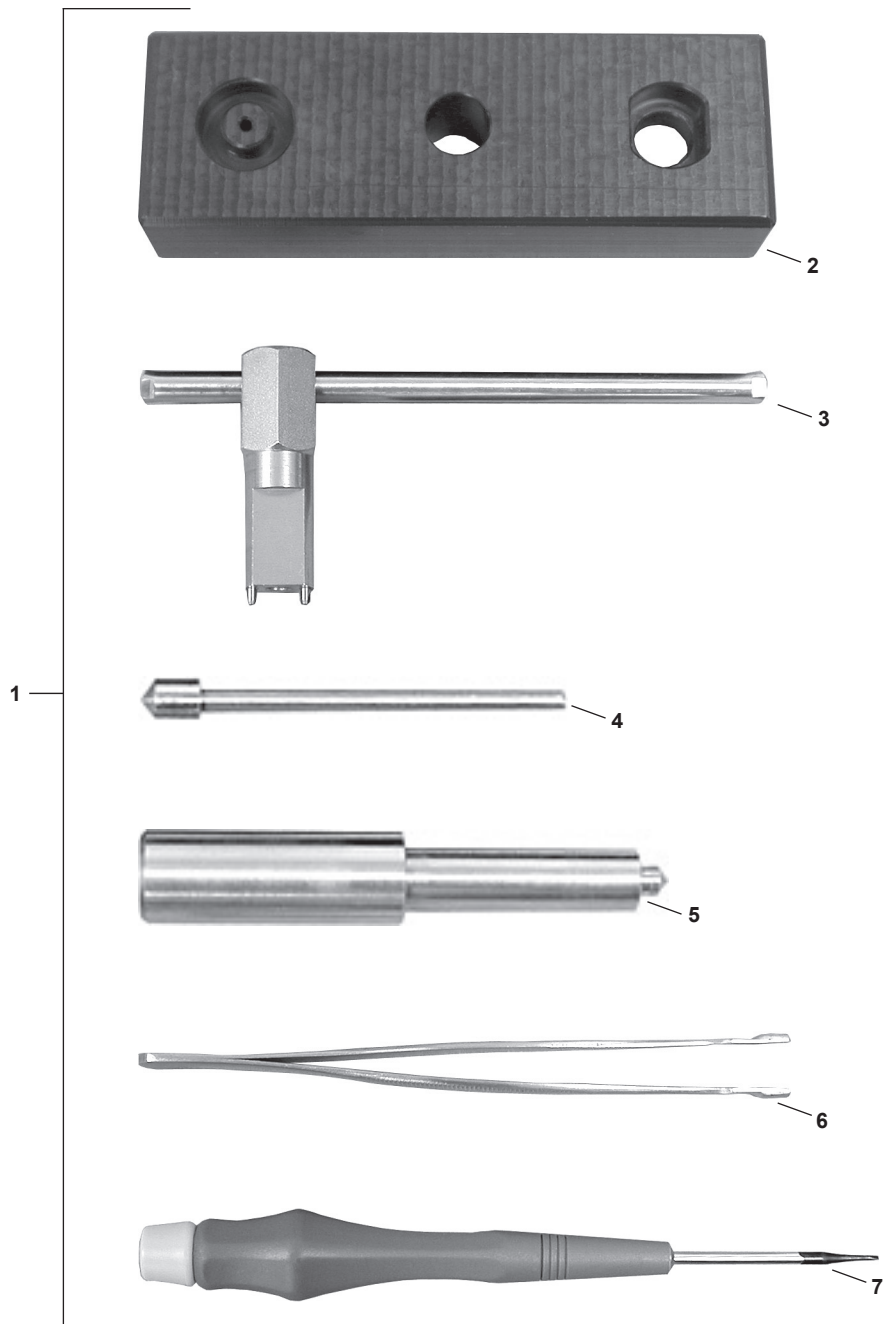


Key #	Part #	Description
1	053035	Valve Handwheel Tool

Key # Part # Description

1	778700	Valve Core Tool, Dual Side
2	15192	Airsource 3, Inline Adjustment Tool
3	42314	Air Source T-Tool
4	AT7009	Swivel Inflator Tool
5	42315	Air Source Multi Tool
6	15762	Apeks Inflator Tool
7	42316	Air Source Oral Assembly Tool
8	778679	Retaining Collar Wrench, Air Mic
N/S	42611	BC Patch Kit

Suunto HP Quick Disconnect Tools



Key #	Part #	Description
1	5590	Quick Disconnect Tool Kit
2	V5505	Service Base
3	V5506	Disassembly Wrench
4	V5501	Guiding Pin, Small
5	V5502	Guiding Pin
6	K5630	Tweezers, O-ring Installation
7	K5854	Screwdriver

Part Number Index

Index

Numbers

050107.....55, 56	088107.....75	103105.....43	106304.....16
050216.....56	088110.....75	103133.....8, 9, 10, 11, 14, 15, 17	106317.....12, 15, 16
050221.....55	088151.....75	103137.....8, 9, 10, 11, 14, 15, 17	106318.....12, 15, 16
050233.....55, 56	088152.....69	103162.....15, 17	106319.....12, 15, 16, 17
050241.....55, 56	090015.....27, 35	103172.....15, 35	106322.....16
050242.....55, 56	090018.....59, 61, 63	103174.....15, 17	106323.....16
051821.....55, 56	090025.....35	103176.....15, 17	106324.....16
052508.....55, 56	100103.....33	103182.....15	106326.....16
052514.....55, 56	100108.....33	103225.....12, 13, 15, 16, 17	106327.....16
052515.....55	100109.....33	103429.....12	106337.....12, 15, 16, 17
052518.....55, 56	100110.....33	103706.....27	106338.....12, 15, 16
052519.....56	100119.....33	103732.....27	106339.....16
052521.....55, 56	100122.....29, 33, 51, 84	104101.....34	106356.....7, 12, 13, 15, 16, 17
052540.....56	100128.....18, 26, 29, 33, 34	104102.....22, 23, 28, 30, 31, 34	106726.....11
052541.....55, 56	100132.....33	104106.....18, 26, 29, 34	106738.....18, 25, 26, 29, 34
052548.....56	100136.....33	104108.....25, 34	106767.....11
053035.....88	100143.....33	104112.....34	106771.....11
054114.....57	10017.....67, 68, 69, 70, 71, 75	104113.....34	106839.....16
054201.....57	100181.....33	104122.....18, 25, 26, 29, 34	106843.....6, 11, 14, 15, 17
054203.....57	100188.....86	104123.....34	107001.....27
054204.....57	100190.....86	104127.....18, 26, 29, 34	107443.....10, 12, 13, 15, 16, 17
054205.....57	100395.....86	104129.....18, 25, 26, 29, 34	107455.....12, 35
054207.....57	100444.....27	104132.....34	107506.....12
054208.....57	100525.....12, 15, 16	104134.....18, 26, 29, 34	107508.....11
054209.....57	10079.....76	104138.....20, 21, 23, 24, 25, 26, 28, 29, 30, 31, 32, 34, 35, 46, 48, 49, 51, 53, 54	107605.....27
054211.....57	10081.....74, 75	104304.....12	107606.....27
054212.....57	100841.....33	104613.....12	107607.....27
054215.....57	100843.....33	104903.....27	107700.....12
054216.....57	100845.....33	104913.....27, 29, 33, 34, 47, 48, 49, 50, 51, 52, 53, 54	107818.....29
054221.....57	100853.....33	104940.....27	107822.....34
054228.....57	100854.....33	105106.....12, 14, 15, 17	108122.....27
054261.....57	100856.....33	105139.....27	108185.....27
054500.....56	100862.....33	M105320.....12	108357.....86
074305.....55, 56, 75	100872.....33	105323.....12	108504.....27
081215.....75	100884.....86	105324.....12, 15, 17	108510.....27, 33
081240.....74, 75	100888.....33	105326.....12	108514.....27
081245.....74, 75	100924.....29	105327.....12	108515.....33
081247.....86	101012.....12	105333.....12	108530.....27
081810.....74	101504.....12	105831.....33, 35	108535.....27
082304.....74	101509.....15, 16, 17	105838.....33, 35, 84	108538.....27
082700.....75	101549.....12	105848.....33, 35, 84	108652.....12
082721.....75	101565.....16	105879.....27, 35	108810.....12
082723.....75	101569.....15, 17	105884.....27, 35	108851.....12
082729.....74, 75	101680.....86	105885.....27, 35	108853.....12
082801.....74	101727.....12	105940.....5, 6, 7, 8, 9, 10, 12, 13, 14, 15, 16, 17	108854.....12
082923.....74	101728.....12	105944.....12	108855.....12
082940.....74	101785.....12, 35, 36, 83	106022.....15, 16	108865.....12
083400.....74	101919.....27	106026.....7, 12, 15, 16, 17	109437.....86
083401.....74	102002.....5, 6, 7, 15, 17	106056.....12, 15, 17	109438.....19, 20, 21, 22, 23, 24, 25, 26, 28, 30, 31, 32, 34, 35
083410.....74	102003.....12	106057.....12	109512.....19, 20, 21, 22, 23, 28, 30, 31, 32, 35, 36
	102004.....27	106303.....16	111000.....86
	102023.....78, 81, 83		111001.....86
	102510.....18, 25, 26, 27, 29, 34		
	102708.....27		
	103101.....15, 17		
	103102.....86		
	103104.....15		

Part Number Index

111002.....86	125702.....26	127585.....5, 6, 7, 8, 9, 13, 14, 15, 16, 17	127876.....9
111003.....86	125705.....18, 26		127877.....24
111100.....86	125706.....26	127586.....14	127878.....9
111605.....86	125707.....26	127587.....14	127881.....24
111610.....86	125708.....18, 26	127602.....32	127887.....24
116922.....29	125709.....26	127605.....32	127888.....9
116923.....29, 51	125710.....11	127606.....32	127889.....24
116925.....29	125712.....11	127607.....24, 32	127925.....9
116926.....29	125713.....8, 11, 14, 17	127608.....32	127945.....9
116927.....29	125717.....11	127609.....32	127965.....24
116928.....29	125719.....26	127612.....32	128102.....23
116929.....29	125721.....26	127614.....32	128103.....23
116930.....29	125724.....26	127615.....32	128104.....23
119129.....5, 6, 7, 8, 9, 10, 12, 13, 14, 15, 16, 17	125727.....86	127616.....32	128105.....23
119159.....5, 6, 7, 8, 9, 10, 14	125732.....26	127621.....32	128108.....23
120161.....65	125734.....26	127622.....32	128111.....8, 10
120162.....65	125737.....25	127624.....32	128113.....8, 10
120413.....80	125912.....19	127625.....32	128115.....8
120850.....80	125914.....19	127626.....32	128117.....8, 10
12132.....66, 67, 73	125915.....19	127686.....86	128119.....8, 13
12134.....65, 71	125916.....19	12780.....78	128121.....8
12137.....65, 66, 73	125918.....19	127801.....9, 10	128122.....8
122152.....86	125924.....17	127803.....9	128123.....8
12219.....75	125925.....19	127804.....9	128124.....8, 10
122244.....5, 6, 7, 8, 9, 10, 13, 14	125928.....18	127805.....9	128126.....23
12234.....65, 66, 76	125929.....18	127807.....9	128128.....23
12235.....66, 67, 68, 69, 70	125930.....18, 19	127808.....9	128142.....8, 10, 35
12240.....68, 69	125931.....18	127814.....24	128143.....8, 10
12241.....66, 67, 68, 69, 70	125932.....18, 35	127815.....24	128205.....10
12242.....67	125934.....18, 35	127816.....24	128245.....8
12247.....66, 67, 68, 69, 70	125935.....18	127817.....24	128265.....8
12248.....66, 67, 68, 69, 70	125937.....18	127818.....24	128540.....25
12252.....67	125939.....19	127819.....24	128545.....10, 35
12253.....67	125958.....18	127821.....24	128550.....25
12261.....66, 67, 68, 69, 70	125975.....18, 19	127822.....24	128595.....25
12277.....60, 65, 66, 67, 69, 76	125976.....18, 19	127823.....24	128602.....25
12285.....67	125979.....19	127825.....24	128603.....25
12308.....67	12605.....80	127826.....24, 35, 36, 46	128604.....25
124509.....18, 25, 26, 34	12606.....80	127827.....24	128605.....25
124555.....8, 9, 10, 11, 13, 14, 15, 17	127562.....14	127828.....24	128606.....25
124560.....7, 12, 13, 15, 16, 17	127563.....8, 9, 10, 14	127831.....9	128609.....25
124570.....22, 23, 25, 26, 28, 35	127564.....8, 9, 10, 14	127832.....24	128610.....25
124573.....23, 25, 26, 28, 29, 35	127565.....5, 6, 8, 9, 10, 14	127833.....24	128611.....25
124576.....34	127566.....5, 6, 8, 9, 14	127835A.....24	128612.....25
124577.....34	127567.....5, 6, 8, 9, 10, 14	127836.....24	128613.....25
124578.....34	127568.....5, 6, 8, 9, 10, 14	127838.....24	128615.....25
124611.....6, 7, 8, 10, 11, 13, 16	127571.....14	127839.....9	128616.....25
124628.....12, 15, 17	127572.....14	127842.....24	128618.....25
125237.....35	127573.....14	127843.....24	128619.....25, 35
	127574.....8, 14	127846.....24	128620.....25, 35
	127575.....14	127848.....24	128621.....25
	127576.....14	127859.....20, 21, 24, 35	128624.....20, 21, 22, 23, 24, 25, 26, 29, 35
	127577.....14	127865.....9, 35	128628.....25
	127579.....8, 14	127868.....24	128631.....10, 11, 13, 15, 16, 17
	127581.....8, 14	127871.....24	128632.....10
	127582.....14	127872.....9	
	127583.....9, 14	127874.....9	

Part Number Index

128633.....10	129188.....22, 23, 28, 30,31	129626.....20	129807.....20, 21, 35
128634.....10	129195.....22, 23, 28, 30,31	129628.....20	129808.....6
128653.....11	129196.....13	129631.....20, 21	129809.....6
128657.....11	129197.....86	129632.....20	129811.....5
128658.....11	129198.....86	129633.....20	129818.....20
128705.....11	129202.....6, 7, 8, 13, 14	129634.....20	129851.....7
129001.....86	129203.....6, 8, 14	129635.....6	129852.....22, 28
129021.....6, 7, 35	129204.....5, 6, 7, 8, 14	129636.....20, 21	129853.....22, 28
129022.....9, 10, 35	129205.....6, 7, 8, 13, 14	129637.....20	129854.....22
129023.....8, 10, 35	129207.....6, 7, 8, 13, 14	129638.....20, 21,22, 23, 24,	129856.....22
129111.....13	129209.....5, 6, 7, 8, 13	28, 30, 31, 32, 46	129861.....24, 35
129117.....13	129212.....6, 8, 13	129642.....20, 21	129862.....24, 35
129118.....13	129213.....5, 6, 7, 8	129644.....20	129865.....7
129119.....13	129214.....5, 6, 8, 13	129645.....6	129875.....7
129120.....8, 9, 10, 13	129216.....8, 9, 14	129648.....20, 21	129885.....22
129121.....5, 6, 7, 13	129226.....13, 35	129652.....20, 21	131260.....79
129122.....13	129227.....13, 35	129655.....20	131380.....79
129123.....7	129236.....30, 31	129656.....20, 21	13145.....78
129124.....13	129237.....31	129657.....20, 21	13194.....79
129125.....13	129241.....5, 6, 7, 8	129658.....21	13207.....75, 76
129126.....5, 6, 7, 13	129242.....6, 7, 8	129661.....21	13211.....76
129127.....13	129243.....6, 7, 8	129662.....21	13216.....75, 76
129128.....13	129244.....8, 9, 10	129663.....21	13220.....75
129129.....22, 30	129251.....9, 10	129665.....21	13386.....80
129130.....22, 30	129252.....10	129669.....21	13400.....80
129133.....22, 23, 28, 30,	129253.....9	129672.....20	13525.....80
31, 32	129257.....6, 7	129675.....20	135260.....80
129135.....22, 30	129259.....6	129676.....20	13542.....80
129138.....30	129262.....5	129677.....21	13586.....80
129139.....22, 23, 28, 31	129264.....5, 6	129678.....20	13587.....80
129142.....22, 30	129266.....5	129681.....21, 35	14011.....80
129143.....22	129281.....22	129684.....20, 21	14012.....80
129146.....21, 22, 23, 28,	129282.....22	129686.....21	14013.....80
30, 31	129289.....22	129701.....5	14014.....80
129147.....22, 30	129341.....13	129702.....5	14015.....80
129148.....22, 23,28,30,31	129343.....22, 28, 35	129704.....5	14016.....80
129149.....13	129344.....28	129707.....5	14411.....78
129150.....22, 23, 28, 30,	129351.....28	129708.....5	14436.....80
31, 32	129352.....28, 35	129709.....5	14512.....79
129151.....9, 10, 11, 13	129354.....28	129713.....5	14517.....79
129154.....19, 20, 21, 22,	129602.....5, 6	129714.....5	14518.....80
23, 24, 25, 26, 28, 30,	129603.....6, 7	129716.....5	14900.....79
31, 32, 46	129604.....6, 7	129719.....5	15020.....64
129160.....22, 23, 25, 28	129606.....5, 6	129721.....5	15026.....64
129161.....23, 28, 31	129607.....5, 6, 7	129722.....5	15027.....64
129162.....21, 23, 28, 31	129608.....5, 6, 7	129723.....20	15029.....58, 61, 63, 64
129164.....23, 30, 31	129609.....5, 6, 7	129726.....20	15039.....64
129168.....28	129611.....5, 6	129731.....21	15049.....64
129171.....30, 31	129612.....6, 7	129732.....20	15050.....65, 66, 67, 73
129173.....30, 31	129613.....6, 7	129744.....6	15051.....65, 66, 67, 73
129174.....18,20,21,22,23,	129614.....6	129746.....6	15055.....64
24,25,26,28, 30, 31, 32	129616.....5, 6	129747.....6	15071.....65, 68
	129617.....5, 6, 7, 20, 21	129748.....20, 21	15072.....65, 68
129178.....20, 21, 22, 23	129618.....6, 7	129749.....20	15078.....64
129184.....21, 22, 23,28,	129619.....6, 7	129777.....20	15080.....64
30, 31, 32	129623.....6	129784.....20, 21	15081.....64
	129625.....21	129803.....6, 35	15082.....64

Part Number Index

15083.....	64	15194.....	58	15435.....	59	182040.....	80
15084.....	64	15195.....	58	15436.....	59	182050.....	80
15087.....	64	15196.....	58	15437.....	66, 67	182150.....	80
15089.....	64	15197.....	58	15439.....	59	185490.....	80
15090.....	64	15201.....	58	15441.....	76	185920.....	78
15091.....	64	15202.....	58	15442.....	76	186590.....	78, 81, 83
15092.....	64	15204.....	58	15443.....	76	187450.....	80
15093.....	64	15205.....	58	15445P.....	59	188980.....	78
15094.....	64	15207.....	58	15446.....	59	188990.....	79
15095.....	64	15210.....	58	15451.....	76	190190.....	80
15096.....	64	15211.....	58	15504.....	59, 61, 63	19022.....	80
15098.....	64	15215.....	58, 61, 62	15604.....	76	194790.....	80
15099.....	64	15220.....	58	15610.....	61, 62, 63, 64	195540.....	80
15100.....	61, 63, 64	15221.....	58	15617.....	76	195550.....	80
15103.....	64	15222.....	58	15628.....	59, 61, 63	19570.....	80
15104.....	64	15223.....	58	15649.....	63	19631.....	78, 81, 83
15106.....	64	15224.....	58	15650.....	76	20023.....	80
15107.....	64	15225.....	58	15665.....	67, 68, 69, 70, 76	214204.....	56
15110.....	64	15227.....	58	156660.....	80	216047.....	25
15112.....	64	15228.....	58	156670.....	80	220312.....	84
15113.....	64	15234.....	58	15706.....	62	220313.....	84
15115.....	58, 60	15239.....	58	15709.....	61, 63	22121.....	73
15117.....	64	15240.....	58	15714.....	63	25460.....	58, 64, 71
15118.....	64	15260.....	61	15717.....	62	261181.....	84
15128.....	67	15261.....	61	15718.....	61, 63	261182.....	84
15129.....	68, 69, 70, 73	15262.....	61	15719.....	58, 59, 61, 62, 63, 64	261183.....	84
15130.....	68, 69, 70, 73	15271.....	61	15720.....	61, 63	261888.....	85
15132.....	60, 64	15280.....	61	15724.....	61, 63	261889.....	85
15135.....	65, 66, 73	15281.....	61	15724.....	61, 63	261891.....	85
15136.....	65, 66, 73	15283.....	61	15735.....	63, 64	266003.....	85
15140.....	58	15285.....	58, 71	15736.....	61, 63	280000.....	55
15151.....	62	15304.....	62	15737.....	75, 76	280013.....	55
15159.....	61	15309.....	62, 63, 65, 66, 67, 68, 69, 70, 75, 76	15738.....	75, 76	280040.....	55
15161.....	58, 61, 62	15350.....	62	15741.....	61, 63	28228.....	65, 66, 67, 68, 69, 70, 71, 75
15162.....	58, 61, 62	15401.....	60	15743.....	61, 63	288118.....	67
15163.....	58	15402.....	60	15744.....	61, 63	288140.....	67
15164.....	58, 61, 62, 63	15403.....	60	15746.....	61, 63	388300.....	67
15170.....	58	15404.....	60	15747.....	61, 63	390147.....	27
15171.....	58	15405.....	60	15749.....	61, 63	394052.....	75
15172.....	58	15406.....	60	15755.....	62	397100.....	65
15173.....	58	15407.....	60	15756.....	62	397101.....	65
15174.....	58	15408P.....	60	15757.....	62	397102.....	65
15175.....	58	15412.....	59	15758.....	62	397104.....	65
15176.....	58	15414.....	59	15759.....	62	397106.....	65
15178.....	58, 61, 62, 63	15415.....	59	15761.....	62	397107.....	65
15179.....	58, 61	15417.....	59	15762.....	88	397112.....	65
15181.....	58	15423.....	59	15763.....	58, 59, 61, 62	397114.....	65
15183.....	58	15424.....	59	15775.....	61, 63	397122.....	65
15185.....	58	15425.....	59	15778.....	62	397124.....	65
15186.....	58	15426.....	59	15852.....	84	41128.....	81
15187.....	58	15427.....	59	15901.....	63	41175.....	81
15188.....	58	15428.....	66, 69	16317.....	70	413100.....	79, 83
15189.....	58	15429.....	59	16319.....	70	413109.....	83
15190.....	58	15430.....	65, 66, 69	16320.....	70	413138.....	83
15191.....	58, 71	15433.....	59	16425.....	79	413139.....	83
15192.....	88	15434.....	59	168650.....	80	413149.....	83
15193.....	58			182030.....	80		

Part Number Index

413163.....83	427072.....65, 66, 67	42799..... 65, 72	5116230.....86
413164.....83	427085.....67, 72	42802..... 64	5236..... 81
413165.....83	427087.....67	42803..... 64	5237..... 81
413166.....79	4270901.....70	42810..... 61	5240-KIT..... 57
413167.....79	4270902.....70	42820..... 61	52406A.....57
413168.....79	4270903.....70	428210.....71	5404M..... 79
413170.....83	4270904.....70	428230.....65, 66, 71	5590..... 89
413174.....83	4270905.....70	428240.....65, 67, 71	5983..... 82, 83
413186.....82	427091.....70	428250.....71	5984..... 82
413188.....83	427092.....70	43020.1.....68	621131.....85
413191.....79	427093.....70	43020.2.....68	621132.....85
413194.....78, 79, 83	427094.....70	43020.3.....68	621502.....85
413195.....78, 79	427095.....70	43020.4.....68	622600.....85
413196.....78, 79	427096.....66, 67, 69, 70	43020.5.....68	622605.....85
413197.....78, 79	427101.....67	430411.....68	622610.....85
413203.....83	427102.....67	430412.....68	622615.....85
413205.....78	427103.....67	430413.....68	622680.....85
413206.....78	427104.....65	430414.....68	622690.....85
413207.....78	427106.....65	430415.....68	622695-L.....85
413208.....78, 81	42716..... 68, 70, 72	431411.....68	622695-R.....85
413210.....83	42718..... 70, 72	431412.....68	62587..... 85
41942..... 85	427189.....67	431413.....68	62588..... 85
41952..... 70	42719..... 71	431414.....68	62589..... 85
422441.....85	427190.....66, 68, 69	431415.....68	62911..... 85
422613.....85	427191.....66, 67, 68, 69	43827..... 67, 71	6310..... 78, 81
42314..... 88	427192.....66, 67, 68, 69	4394051.....75	6311..... 81
42315..... 88	427193.....66, 68, 69	45822..... 61, 63, 65, 66, 67, 68, 69, 70, 71	700418.....12
42316..... 88	427194.....66, 67, 68, 69	45825..... 61, 63, 65, 66, 67, 68, 69, 70, 71	704014.....75, 76
42410..... 84	427195.....66, 67, 68, 69	45827..... 59, 61, 63, 65, 66, 67, 68, 69, 70, 71	730486.....78, 81, 83
42411..... 84	427196.....66	45833..... 59, 61, 63, 65, 66, 69, 71	734332.....84
42454..... 85	42726..... 65, 69, 70, 72	45836..... 59, 65, 69, 71	734333.....84
42457..... 84	42738..... 60, 71, 76	45840..... 59, 65, 69, 71	734407.....84
42458..... 85	42746..... 75	502514.....84	734408.....84
42485..... 57	42754..... 65, 66, 67, 68, 69, 70, 75, 76	502521.....84	734409.....84
42608..... 35, 64	42764..... 65, 66, 67, 76	502522.....84	734411.....84
42609..... 61, 63, 71	42767..... 65, 66, 69,70, 72	502524.....84	745930.....83
42611..... 71, 88	42768..... 68, 69, 70, 72	502527.....84	761947.....69
42626..... 35	42772..... 62	502528.....84	762325.....67, 74
42628..... 35	42773..... 59, 65, 66, 69	502537.....84	778559.....58, 61, 62, 63
42631..... 35	42778..... 65, 67	502538.....84	778564.....59, 61, 63, 64
42639..... 64, 71	42779..... 67	502608.....84	778679.....88
42641..... 64	42780..... 67	502611.....84	778700.....88
42652..... 85	42781..... 67	503605.....84	820007P.....11, 24
42662..... 62	42782..... 67	503628.....84	820008.....33
427006.....67	42783..... 62, 67	503629.....84	820009P.....5, 6, 7, 8,13,14, 22, 30, 32
427007.....67	42784..... 67, 72	503795.....84	820010P.....5, 6, 7, 8,13,16, 18, 20, 21, 22, 23, 24, 25, 26, 27, 28, 29, 30, 31, 32, 33, 34, 55, 56, 57, 58, 59, 60, 64
427030.....68	42785..... 67	503796.....84	820011P.....5, 6, 7, 8, 9, 10, 11, 12,13,14,15, 16,17, 20, 21, 22, 23,24,25,26, 27, 28, 29,30,31, 32, 58, 59, 61,63, 64
427031.....71	42786..... 67	504652.....84	
427038.....65, 68	42788..... 67	505020.....84	
427039.....65,67, 68, 69, 70	42789..... 67	505565.....84	
42704..... 65, 67	42790..... 67	507708.....84	
427040.....65, 68, 69, 70	42791..... 67	507709.....84	
427042.....65, 68, 70	42797..... 65, 66, 67, 68, 69, 70, 72	5108M..... 81	
42705..... 71	42798..... 65, 66, 68, 69, 70, 72		
427056.....70			
427057.....70			

Part Number Index

820013P.....16, 24, 64	900012.....22, 23, 24, 28, 30,	AP0354F.....47	AP1409P.....37, 38, 39,
820014P.....12, 16, 20, 27, 57,	31, 32, 35	AP0361F.....41	40, 41, 42, 44, 45, 46,
61, 63	900013.....27, 35	AP0361F1.....41	47, 48, 49, 50, 51, 52,
820015P.....11, 18, 20, 21, 22,	900014.....9, 10, 13, 35	AP0363F.....38	53, 54
23, 24, 26, 28, 29, 30,	900015.....11, 35	AP0363F1.....38	AP1410P.....40, 41, 42,
31, 32, 34, 55, 56, 58	900016.....17, 18, 19, 35	AP0367-1.....40	44, 45, 49, 50
820016P.....14, 32, 33, 61,	900017.....5, 6, 7, 13, 35	AP0371.....36, 37	AP1413.....37, 38, 39,
63, 64	900018.....8, 14, 35	AP0480K.....36	40, 41, 42, 44, 45
820017P.....15, 17, 25	900020.....59, 71	AP0510SQ.....50	AP1414.....41
820018P.....24, 32	900021.....35, 58	AP0517.....42	AP1415.....37, 38, 39,
820038P.....5, 6, 7, 8, 9, 10,	900022.....20, 21, 35	AP0527.....42	40, 41, 42, 44, 45
13, 14, 15, 16, 17	910912.....12	AP0528.....42	AP1419.....38, 39, 40,
820039P.....12	921019.....55, 56	AP0620.....36, 38, 44	41, 42, 44, 45
820043P.....59, 61, 63	944022.....86	AP0624.....47	AP1420P.....41
820062P.....11	957004P.....11, 12, 15, 16, 79,	AP0624B.....47, 48	AP1429.....49, 50, 54
820072P.....5, 6, 7, 8, 9, 10,	81, 83	AP0624S.....47	AP1438.....58
13, 14, 15, 17	957007P.....55, 56	AP0624Y.....47, 48	AP1438P.....20, 21, 22,
820080P.....5, 6, 7, 8, 9, 10,	957025P.....27, 61, 63	AP0810.....37	23, 28, 30, 31, 41, 47,
12, 13, 14, 15, 16, 17		AP0810P.....37	48, 49, 50, 52, 53, 54
820092.....61, 63	Symbols AP	AP0810TL.....37	AP1445P.....37, 38, 39,
820094P.....5, 6, 7, 8, 9, 10,	AP0137NHP.....36	AP0811.....46	40, 41, 42, 44, 45, 77
12, 14, 15, 16, 17	AP0146180.....36	AP0811P.....46	AP1446.....40, 41, 42
820120P.....12, 55, 56, 62, 64	AP0146180IMP...36	AP0811TL.....46	AP1446G.....42
820214P.....55, 56, 57	AP0163.....37	AP0903K.....36	AP1461.....36, 48, 49, 50
820306.....20	AP0168.....37	AP1000K.....36	AP1461Y.....36, 48, 49, 51
820311P.....59, 62	AP0175F.....46	AP100181.....46	AP1470.....40, 41, 42
820312P.....58, 62	AP0175M.....46	AP1151.....21, 22, 23, 28,	AP1470/S.....38, 39, 44, 45
820314.....33	AP0175T.....46	30, 31, 47, 48, 49, 50, 52,	AP1471.....40, 41, 42, 44
820322P.....5, 6, 7, 8, 13, 14	AP0175TL.....46	53, 54	AP1471/S.....38, 39, 44, 45
821011.....55	AP0189NHP.....36	AP1154P.....46, 47, 48, 49,	AP1472.....38, 39, 40,
821014.....55, 56	AP0195.....36	50, 51, 52, 53, 54	41, 42, 44, 45
821026.....12	AP0198.....36, 47	AP1157P.....77, 83	AP1473.....38, 41, 42, 44
824407P.....5, 6, 7, 8, 9,	AP0198NHP.....36	AP1159P.....47, 52, 54	AP14731.....39, 40, 45
10, 13, 16	AP0199.....36	AP1166P.....37, 38, 39, 40,	
828005.....12	AP0200.....36, 46	41, 42, 44, 45	AP1474.....38, 40, 41,
828510.....55, 56	AP0201.....36, 46	AP1267P.....46, 47, 48, 49,	42, 44, 45
828515.....55, 56	AP0203.....36, 49, 50	50, 51, 52, 53, 54	AP14741.....42
834023.....27	AP02031.....22, 23, 28, 30,	AP1298P.....37	AP1475.....38, 39, 40,
838031.....74, 75	31, 36	AP1299P.....37, 38, 39, 40,	41, 42, 43, 44, 45
838032.....74	AP0203/1.....36, 49	41, 42, 44, 45	AP1476.....38, 39, 40,
845021.....55, 56	AP0203/S.....36	AP1300P.....38, 39, 40, 42,	41, 42, 44, 45
845058.....55, 56	AP0206.....36, 48, 49, 51	44, 45	AP1477.....39, 41, 45
845097.....7, 12, 15, 16, 17	AP0211.....36, 40, 41, 42	AP1402.....38, 39, 41, 42	AP14771.....42
852014.....74	AP0211/S.....36, 39, 44, 45	, 44, 45	AP1477F.....42
852021.....74, 75	AP0219/AA.....36, 47, 48, 49,	AP1403.....41, 42	AP1478.....38, 39, 40,
860037.....27	50, 51, 52, 53, 54	AP1403PVDS.....38, 44	41, 42, 44, 45
860137.....33, 34	AP0227/AA.....36, 43	AP1403/S.....38, 39, 44, 45	AP1479.....39, 40, 41,
861068.....12	AP0228.....43	AP1404.....38, 39, 41, 42	42, 45
863051.....12, 13, 15, 16,	AP0241/AA.....36, 38, 39, 40,	, 44, 45	AP1480.....41
17	41, 42, 44, 45	AP1406/1.....38, 39, 41, 42	AP1480F.....43
900000.....16, 35	AP0249.....36, 52	, 44, 45	AP1481.....41
900001.....12, 15	AP0250.....36, 37	AP1407.....41, 42, 44	AP1482.....38, 41, 42,
900002.....35	AP0254.....36, 46	AP1407/S.....38, 39, 44, 45	43, 44
900003.....33, 35	AP0274.....36, 41	AP1408.....37, 38, 39,	AP14821.....38, 39, 40,
900009.....35	AP02741.....36, 38	40, 41, 42, 44, 45	44, 45
900010.....25, 26, 29, 34,	AP0353F2.....47, 48		AP1482T.....38
35			

Part Number Index

AP1483.....38, 39, 40, 41, 42, 44, 45	AP5103.....41	AP5801.....49, 54	AP6239.....38
AP1484.....40,41,42, 43	AP5104.....40	AP5801GREY.....54	AP6308100.....45
AP1484PVDS.....38, 44	AP5105.....40	AP5801/Y.....49, 54	AP63081200.....38, 44
AP1484/S.....38,39 44, 45	AP5106.....40	AP5802.....47, 48, 49, 52, 53, 54	AP6577.....52, 54
AP1485.....42	AP5201.....42	AP5802/C.....47, 54	AP6577F.....30
AP1486.....41	AP5202.....40, 42	AP5803.....47, 48, 49, 52, 53, 54	AP6577FPVDS..47
AP1487.....41, 44, 45	AP522002P.....77, 83	AP5804.....54	AP6577FS.....47
AP2020.....22, 28, 49, 50, 54	AP5309.....38,39,44,45	AP5805.....22, 28, 49, 54	AP6577PVDS...52, 54
AP2021.....20, 21, 22, 23, 24, 28, 30, 31, 32, 46, 47, 48, 49, 50, 51, 52, 53, 54	AP5309B.....44	AP5807.....49	AP6577/S.....52, 54
AP2023.....50	AP5324G.....48, 53	AP5807/Y.....49, 54	AP6578.....47, 52, 54
AP2025.....50	AP5324K.....36, 46, 47, 48, 49, 50, 52, 53, 54	AP5819.....54	AP7100.....36, 46
AP2026.....50	AP5339.....54	AP5821.....49	AP7100Y.....36, 46
AP2026/Y.....50	AP5695.....37	AP5822.....49	AP7500.....43
AP2028.....49, 50, 54	AP5701.....77	AP5830.....47, 52, 54	AP7501.....43
AP2028/S.....54	AP5702.....77	AP6201.....37, 44	AP7502.....43
AP2029.....50	AP5702NP.....77	AP6202.....37, 38, 39, 40, 41, 42, 44, 45	AP7505.....43
AP2029-1.....48, 49, 53	AP5703.....77	AP6210.....47, 48, 52, 53	AP7506.....43
AP2030.....50	AP5704.....77	AP6211.....47, 48, 52, 53	AP7507.....43
AP2033.....20, 21, 22, 23, 24, 28, 30, 31, 32, 47,48,49, 50,52, 53, 54	AP5705.....77	AP6211G.....48, 53	AP7508.....43
AP2034.....23, 47, 48, 49, 50, 51, 52, 53, 54	AP5706.....77	AP6211Y.....48, 53	AP7510.....43
AP2035.....46, 47, 48, 49, 50, 51, 52, 53, 54	AP5707.....46, 51	AP6212.....47, 48, 52, 53	AP7512.....43
AP2036.....20, 21, 22, 23,24, 28,30, 31,32, 47, 48, 49,50,52, 53, 54	AP5711P.....46, 47, 51, 52, 54	AP6212G.....48, 53	AP7518.....43
AP2037.....47, 48, 49, 50, 52, 53, 54	AP5713.....37	AP6212Y.....48, 53	AP7520.....43
AP2038.....22, 23, 28, 30, 31, 47, 48, 49, 50, 52, 53, 54	AP5714.....37	AP6213.....47, 48, 52, 53	AP7550.....51
AP2039.....49, 50, 54	AP5716.....37	AP6214.....52, 53	AP7553.....51
AP2039/Y.....49	AP5717.....37	AP6214Y.....53	AP7554.....51
AP2040.....50	AP5721.....38, 44	AP6215.....47, 48, 52, 53	AP7556.....51
AP2041P.....20, 21, 22, 23, 24, 28, 30,31,32, 47, 48, 49, 50, 52, 53, 54	AP5722.....38, 44	AP6216.....47, 48, 52, 53	AP7557.....51
AP2053.....50	AP5724.....44	AP6216S.....47, 52	AP7558.....51
AP5001.....50	AP5725.....38,39,40,43	AP6217.....47, 52	AP7560.....51
AP5002.....47,48,49, 50, 52, 53, 54	AP5731.....77	AP6217PVDS....47, 52	AP7561.....51
AP5003.....48, 49, 53	AP5739.....38, 44	AP6218.....48, 53	AP7562.....51
AP5013PVDS....47, 52, 54	AP5745.....77	AP6218G.....48, 53	AP7563.....46, 51
AP5013/S.....47, 54	AP5746.....77	AP6218Y.....48, 53	AP7570.....46
AP5014.....39	AP5750.....37	AP6219G.....48, 53	AP7577.....46
AP5015.....50, 54	AP5751.....37	AP6219K.....47,48, 52,53	AP7578.....46
AP5101.....38, 43, 44	AP5751G.....37	AP6220K.....47,48,52, 53	AP7579.....46
AP5101PVDS....38, 44	AP5751P.....37	AP6221B.....52	AP7581.....46
AP5102.....39, 45	AP5751TL.....37	AP6221S.....52	AP7582.....46
	AP5752.....37	AP6222.....47,48, 52,53	AP7584.....46
	AP5753.....37	AP6223.....46, 47, 48, 52, 53	AP7586.....46
	AP5754.....37	AP6224.....52, 53	AP7589.....46
	AP5755.....37	AP6224N.....53	AP7589F.....46
	AP5756.....37	AP6225.....52	AP7589G.....46
	AP5757.....37	AP6226.....47, 52	AP7589Y.....46
	AP5758.....37	AP6228.....48, 53	AP7590.....46
	AP5759.....37	AP6228N.....48, 53	AP7592.....46
	AP5763.....37	AP6229.....48, 53	AP7595.....46
	AP5764.....37	AP6230.....47,48, 52,53	AP7596B.....46, 77
	AP5766.....37	AP6236.....36, 46, 47	AP7596G.....46
	AP5767.....37	AP6236Y.....36, 46, 47	AP7596P.....46
	AP5768.....37	AP6238.....47	AP7596Y.....46
	AP5769.....37	AP6238F.....47	AP7610.....77, 83
	AP5770.....37		
	AP5800.....49, 54		

Part Number Index

Symbols APF

APF124563.....23, 26, 35	V5824.....79		
APF124565.....35	V5850.....78		
APF124566.....23,26,29,35	V5875.....79		
	V5876.....78		
	V5887.....81		
	V6281.....78, 81		

Symbols AT

AT20.....87
AT20F.....87
AT21.....87
AT30.....87
AT31.....87
AT42.....87
AT45.....87
AT47.....87
AT51.....87
AT62.....87
AT68.....87
AT69.....87
AT70.....87
AT7009.....88
AT71.....87
AT72F.....87
AT74.....87
AT75.....87
AT76.....87
AT77.....87
AT79K.....87

Symbols K

K4515.....82
K5166.....81
K5168.....81
K5172.....81
K5200.....81
K5201.....81
K5459.....78, 81
K5534.....79
K5542.....79
K5630.....89
K5854.....89

Symbols L

L5838.....82
L5884.....82

Symbols V

V5306.....81
V5501.....89
V5502.....89
V5505.....89
V5506.....89



AQUA  LUNG®

 **apeks**


SUUNTO

TOLL FREE ORDER DESK

800.775.DIVE (3483)
from 7:00AM to 5:00PM PST Monday - Friday

AQUA  LUNG®

2340 Cousteau Court, Vista, CA 92081, U.S.A.

www.aqualung.com

© 2014 Aqua Lung International
All Rights Reserved REV:01/2014 Part #