

AQUA LUNG®

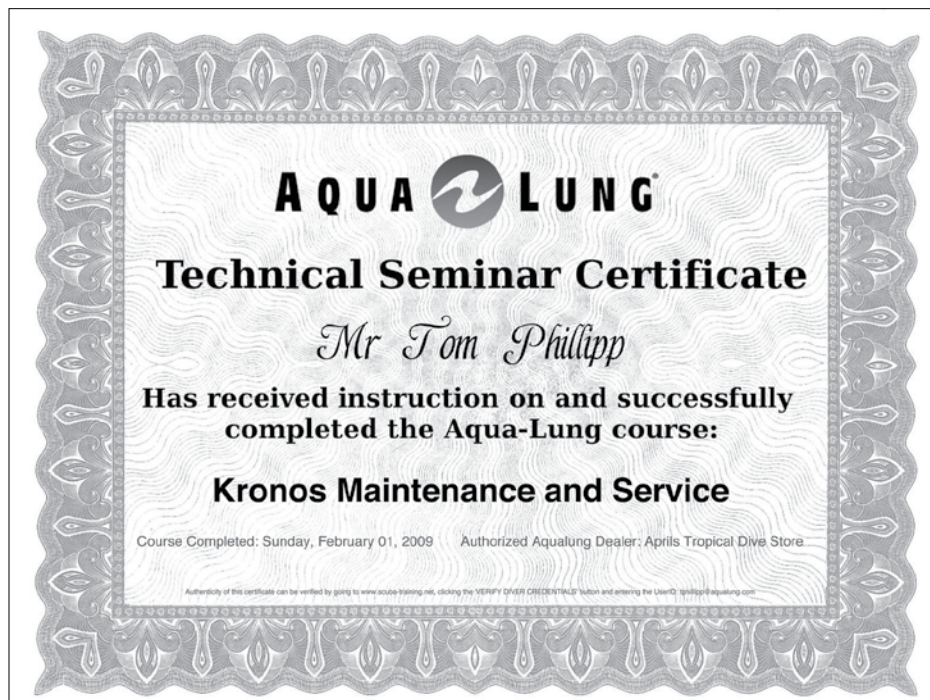
2012-2013 SPARE PARTS CATALOG



ONLINE TRAINING PROGRAM

Aqua Lung offers online training courses through our secure B2B or Technician Only are at www.aqualung.com

Successful completion of a course results in a printable wall certificate acknowledging the store or technician and provides access to repair manuals, associated schematics, bulletins and resource materials.



To learn more about online training or to purchase access codes, logon to the B2B or Tech Only site and click the Online Training found under *Technical Support*.

BENEFITS:

- Online courses serve as a qualification program and an up-to-date reference source
- Training can take place anytime 24/7 and anywhere the internet is available
- Each course contains multimedia, text, photos, illustrations and videos and can be paused and resumed as needed with knowledge retention measured by quizzes along the way
- After the course has been successfully completed, the student may return as often as they wish as long as they remain employed by an Aqua Lung dealer.
- Allows Aqua Lung to communicate directly with service department personnel
- Affordable, the \$40.00 per course fee can be recovered by servicing just one regulator

Table of Contents

How to Use the Spare Parts Catalog & Price List.....	5	ATX200/Tungsten•ATX100•ATX50/Octopus	54
AQUA LUNG FIRST STAGES		CYLINDER VALVES	
Legend Lux • Legend Lux Supreme.....	6	Twin Tank Manifold w/Reserve.....	55
Legend LX & LX Supreme • Legend & Supreme	7	K-Valve•DIN Valve•Z-Valve Air	56
Legend Glacia	8	J-Valve	57
Titan LX • Titan LX Supreme.....	9	AIRSOURCE & INFLATORS	
Mikron	10	Airsource 3 w/QD Fitting	58
Titan (2010 to present).....	11	Airsource 3 w/Cut-Off Valve	59
Calypso (2004-present).....	12	i3 Inflator & Oral Assembly.....	60
Conshelf XIV • Conshelf XIV Supreme	13	Flat E-Valve.....	61
Legend LX • Legend	14	Powerline Inflator	62
Kronos • Kronos Supreme	15	Apeks Inflator	63
Titan	16	Powerline Inflator w/Dual Valve.....	64
Cousteau • SEA	17	Air Source 2	65
Conshelf SE3 • SE2 • SE2 Supreme	18	BUOYANCY COMPENSATORS (Current Models)	
MISTRAL REGULATOR (discontinued)		Axiom•Axiom i3•Balance•Libra•Black Diamond	66
Mistral First Stage	19	Dimension i3•Lotus i3• Pearl•Pearl i3•Pro QD•Pro LT ..	67
Mistral Second Stage.....	20	Wave 2010 WTX (Apeks)•Zuma	68
Mistral Mouthpiece.....	21	BUOYANCY COMPENSATORS (Discontinued Models)	
AQUA LUNG SECOND STAGES		Diva LX•Diva XLT•Diva QD•Diva•Latitude/XLT•	
Legend Lux & Supreme • Legend LX & Supreme.....	22	Malibu•Pacifica.....	69
Legend • Legend Supreme • Legend Octopus	23	Passport•Pro QD i3•Pro•Pro-QD •ProXLT•Pro Unlim	
Legend LX Glacia	24	•Spectrum 1 • Wave(AQ) • Wave Jr(AQ)	71
Titan LX • Titan LX Supreme • Titan LX Octopus.....	25	Miscellaneous	71
Mikron • Mikron Octopus.....	26	BACKPACKS & ACCESSORIES	
Titan • Calypso • Octopus (2010 to present)	27	Mariner Twin Backpack.....	72
Conshelf XIV	28	Kam Pac•Twin Harness•Military BC.....	73
Glacia Octopus • Legend Glacia	29	Cap-off Kit•Dump Valve Kits•CO2 Assembly	74
Legend Glacia.....	29	DIVE COMPUTERS AND GAUGES	
ABS Octopus	30	Apeks Analog Instruments	75
Legend LX • Legend LX Supreme	31	Cobra 3•Cobra 2•Cobra	76
Titan LX & Supreme • Legend & Supreme • Octo.....	32	Vytec/DS•Vyper/Air/2•Gekko•Transmitter	77
Kronos • Kronos Supreme • Octo.....	33	D4i • D4 • D6i • D6 • D9TX • D9	78
Titan•Calypso•Calypso O2•Octopus (05-09)	34	CB Console•Quick Disconnect.....	79
Micra ADJ.....	35	Stinger•Spyder•Mosquito•D3	80
Titan•Cousteau•Calypso•Partner•Octopus(98-04)	36	Hose Mounts•Compass WristBoot•Straps•Misc.....	81
LPO.....	37	ACCESSORIES	
Aqua Lung Common Spares.....		Masks•Snorkels	82
Apeks Common Spares.....		Fins•Knives	83
APEKS FIRST STAGES		TOOLS	
Flight	40	Aqua Lung•Sea Quest Regulator Tools	84
XTX 200/Tungsten•ATX 200/Tungsten	41	Apeks Regulator Tools	85
XTX 100•ATX 100	42	BC & Air Source•Valve Tools.....	86
TEK 3	43	Suunto HP Quick Disconnect Tools	87
XTX 50•ATX 50•TX 50•XTX 40•ATX 40	44	INDEX	
XTX20•AT20•DS4	45	Parts Index.....	88
Status.....	46	APEKS SECOND STAGES	
APEKS SECOND STAGES		Flight•Flight Octopus.....	47
Flight.....	47	XTX200/Tungsten•XTX100	48
XTX200/Tungsten•XTX100	48	XTX50 • XTX50 Octopus	49
XTX50 • XTX50 Octopus	49	XTX40•XTX40 Octopus•XTX20/Octopus.....	50
XTX40•XTX40 Octopus•XTX20/Octopus.....	50	Egress.....	51
Egress.....	51	ATX40•AT20•ATX40 Octopus•AT20 Octopus	52
ATX40•AT20•ATX40 Octopus•AT20 Octopus	52	TX50 (Military only).....	53
TX50 (Military only).....	53		

How to Use the Spare Parts Catalog & Price List

The Spare Parts Catalog & Price List are designed to be easy-to-use references for locating currently available part numbers and prices for most Aqua Lung products, including regulators, BCs, valves, instruments and rubber goods. It is not intended to be a substitute for the various Aqua Lung Repair Manuals. Because the schematic drawings and parts listed contain the most recent revisions to the products shown, this document should be referred to exclusively whenever ordering replacement parts.

Finding the part number and price

There are three simple steps for finding a part number and its price:

- Find the product in the Table of Contents of this catalog and turn to the appropriate page.
- Find the part in the exploded drawing and note the key number. Find the key number in the parts listing located below the exploded drawing. Next to the key number is the part number.
- Refer to the **Spare Parts & Specialty Tools Price List**, and locate the part number. Next to the part number is the dealer price and retail price.

Mandatory overhaul replacement parts

Some products have mandatory overhaul replacement parts, which should be replaced every time the product is serviced. Any part in **BOLD ITALICS** is considered a mandatory overhaul part, and should not be reused under any circumstances after the product has been disassembled. These parts can be ordered individually, or in complete kits which are available for each model regulator.

Parts no longer available (NLA)

Some older, discontinued products have parts that are no longer available. If a part was never or no longer available, the letters NLA will replace the part number in the parts list.

Parts no shown (N/S)

Part are available but not shown on the schematic.

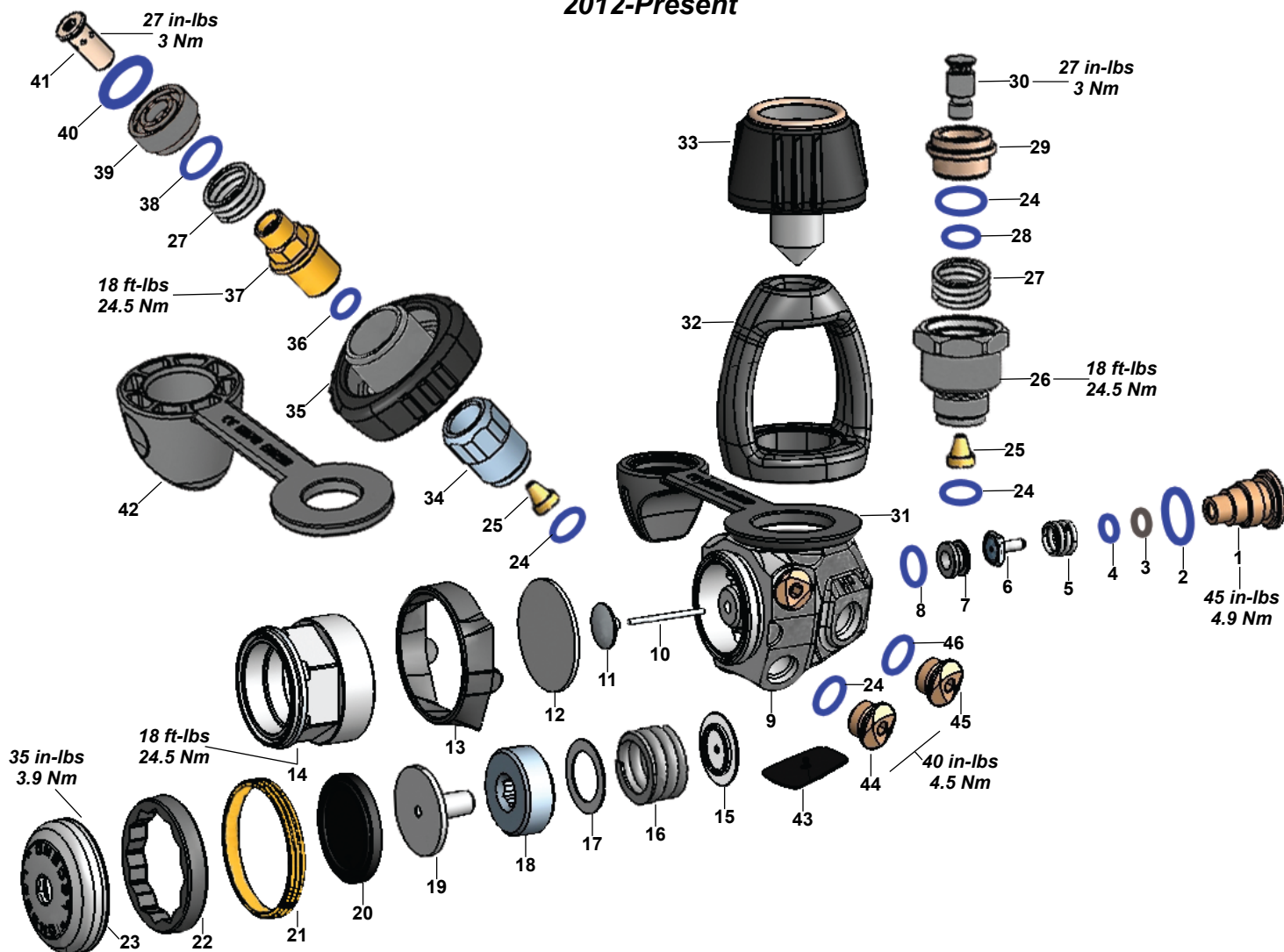
Using the Part Number Index

If you know the part number for a specific item and want to find where it is used (or isn't used), you will want to use the Part Number Index . To use the index, you first need to locate the part number in the listing. Next to each part number are the page numbers on which the part can be found. If, for example, you want to know what products use the AP2034 medium pressure seat, you can refer to the Part Number Index, where you will find the pages to the products that use AP2034.

A Reminder

Parts may only be sold to Authorized Aqua Lung Pro-Line Dealers, and must be installed only by technicians who have received factory authorized training. Proper storage is important to ensure the quality of these parts. Be sure to store parts in a manner to prevent premature degradation of rubber and other soft materials, and to prevent damage to those parts which contain delicate sealing surfaces.

Legend LUX • Legend LUX Supreme 2012-Present



Key #	Part #	Description
-------	--------	-------------

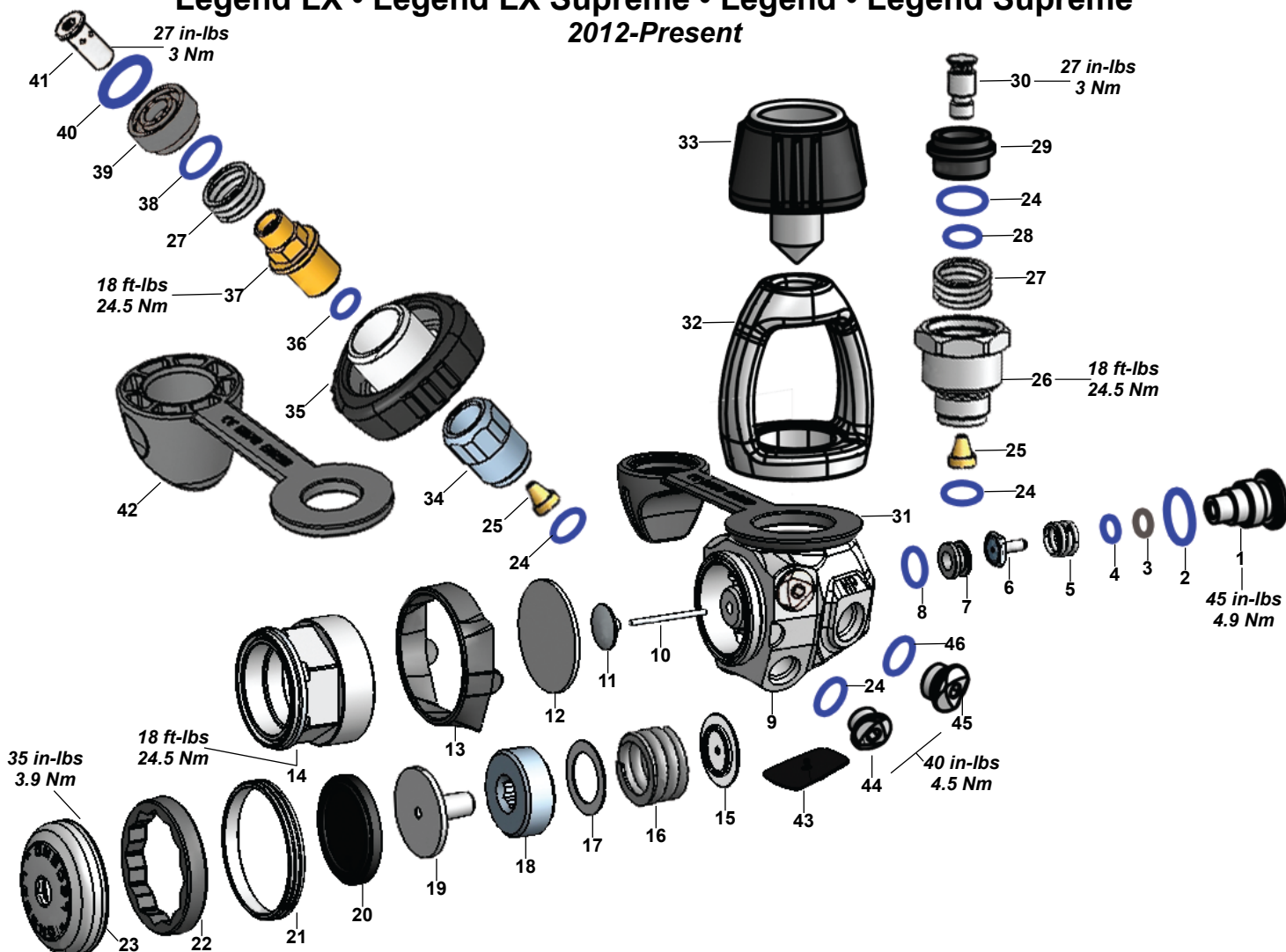
Key #	Part #	Description
-------	--------	-------------

-----	900017	Overhaul Parts Kit ACD (Yoke and DIN)
1----	129709	HP Balance Plug, Pink/Gold
2----	824407P	O-ring (20 pk)
3----	119129	Backup ring
4----	820080P	O-ring (25 pk)
5----	122244	Spring
6----	105940	HP Seat
7----	106027	Crown
8----	820038P	O-ring (20 pk)
9----	129811	Body, Black PVD
10----	102002	Pin
11----	129121	Pin Support
12----	119159	Diaphragm
13----	129609	Protector, Dry Chamber
14----	129602	Diaphragm Clamp
15----	127565	Spring Pad
16----	127567	Main Spring
17----	127568	Washer
18----	127566	Adjustment Screw
19----	129606	Piston
20----	129126	Diaphragm, Secondary
21----	129702	Ring, Pink/Gold
22----	129611	Washer, Dry Chamber

23----	129701	Dry Chamber Cap, Black PVD
24----	820011P	O-ring (25 pk)
25----	129209	Filter, ACD
26----	129719	Yoke Retainer, Black PVD
27----	129204	Spring, ACD
28----	820009P	O-ring (10 pk)
29----	129704	Yoke Crown, Pink/Gold
30----	129716	Yoke Shutter Valve, Black PVD
31----	129607	Dust Cover, Yoke
32----	129713	Yoke, Black PVD
33----	129721	Yoke Screw, Pink/Gold
34----	129214	DIN Filter Holder
35----	129722	DIN Handwheel, Black PVD
36----	820010P	O-ring (25 pk)
37----	129213	DIN Screw
38----	820322P	O-ring (10 pk)
39----	129616	DIN Shutter Crown, Black PVD
40----	820094P	O-ring (20 pk)
41----	129714	DIN Shutter Valve, Pink/Gold
42----	129608	DIN Cap
43----	129617	Decal
44----	129707	Plug, MP Port, 3/8 inch, Pink/Gold
45----	129708	Plug, HP Port, 7/16 inch, Pink/Gold
46----	820072P	O-ring, HP Port (20 pk)

Part numbers in **BOLD ITALICS** indicate standard overhaul replacement part.

Legend LX • Legend LX Supreme • Legend • Legend Supreme
2012-Present

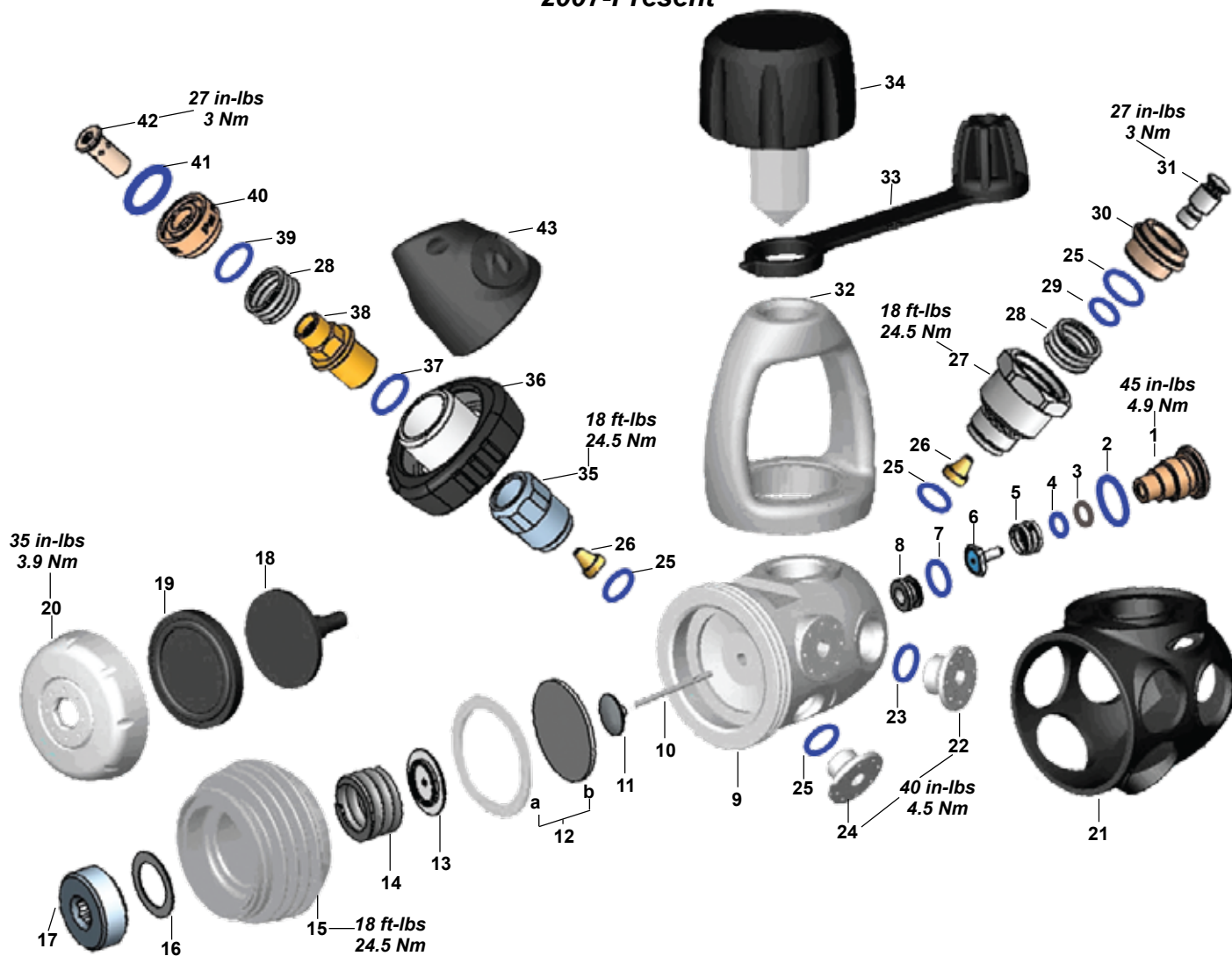


Key #	Part #	Description
----	129635	First Stage Legend LX ACD, Yoke
----	129645	First Stage Legend LX ACD, DIN
----	129803	DIN Conversion Kit
----	900017	Overhaul Parts Kit ACD (Yoke and DIN)
1	129604	HP Balance Plug, Chrome, LX & Legend
----	129746	HP Balance Plug, Satin, LX Supreme & Legend Sup
2	824407P	O-ring (20 pk)
3	119129	Backup ring
4	820080P	O-ring (25 pk)
5	122244	Spring
6	105940	HP Seat
7	106027	Crown
8	820038P	O-ring (20 pk)
9	129808	Body, Chrome, LX & Legend
----	129809	Body, Satin, LX Supreme & Legend Supreme
10	102002	Pin
11	129121	Pin Support
12	119159	Diaphragm
13	129609	Protector, Dry Chamber
14	129602	Diaphragm Clamp
15	127565	Spring Pad
16	127567	Main Spring
17	127568	Washer
18	127566	Adjustment Screw
19	129606	Piston
20	129126	Diaphragm, Secondary
21	129623	Ring, Chrome, LX & Legend
----	129747	Ring, Satin, LX Supreme & Legend Supreme

Key #	Part #	Description
22	129611	Washer, Dry Chamber
23	129603	Dry Chamber Cap, Chrome, LX & Legend
----	129744	Dry Chamber Cap, Satin, LX Supreme & Legend Sup
24	820011P	O-ring (25 pk)
25	129209	Filter, ACD
26	129212	Yoke Retainer, Chrome
27	129204	Spring, ACD
28	820009P	O-ring (10 pk)
29	129614	Yoke Crown, Black, LX & LX Supreme
----	129205	Yoke Crown, Chrome, Legend & Legend Supreme
30	129207	Yoke Shutter Valve, LX & Legend
31	129607	Dust Cover, Yoke
32	124611	Yoke, Chrome, LX & Legend
----	106843	Yoke, Satin, LX Supreme & Legend Supreme
33	129618	Yoke Screw
34	129214	DIN Filter Holder
35	129619	DIN Handwheel
36	820010P	O-ring (25 pk)
37	129213	DIN Screw
38	820322P	O-ring (10 pk)
39	129616	DIN Shutter Crown, Black PVD, LX & LX Supreme
----	129203	DIN Shutter Crown, Chrome, Legend & Leg Sup
40	820094P	O-ring (20 pk)
41	129202	DIN Shutter Valve
42	129608	DIN Cap
43	129617	Decal
44	129612	Plug, MP Port, 3/8 inch
45	129613	Plug, HP Port, 7/16 inch
46	820072P	O-ring, HP Port (20 pk)

Part numbers in **BOLD ITALICS** indicate standard overhaul replacement part.

Legend Glacia 2007-Present



Key #	Part #	Description
-------	--------	-------------

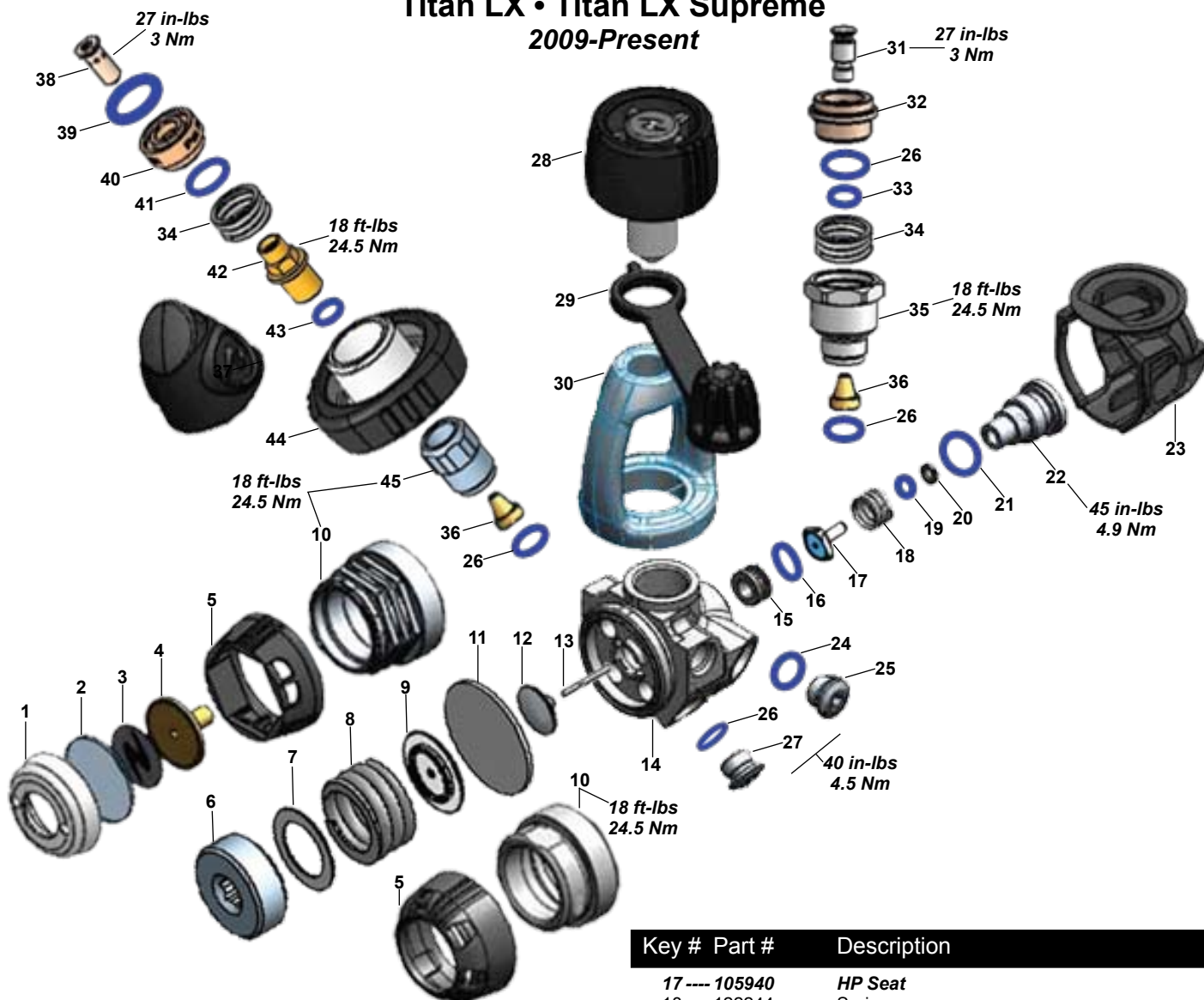
----	129346	First Stage, Glacia Legend, Yoke
----	129226	ACD Conversion Kit, Yoke
----	129227	ACD Conversion Kit, DIN
----	900017	Overhaul Parts Kit ACD (Yoke and DIN)
1----	129120	HP Plug
2----	824407P	O-ring (20 pk)
3----	119129	Backup ring
4----	820080P	O-ring (25 pk)
5----	122244	Spring
6----	105940	HP Seat
7----	820038P	O-ring (20 pk)
8----	106027	Crown
9----	129111	Body
10----	102002	Pin
11----	129121	Pin Support
12----	103425	Diaphragm Kit (includes 19a & 19b)
13----	124560	Spring Pad
14----	106356	Main Spring
15----	129341	Spring Retainer, Glacia
16----	845097	Washer
17----	106026	Adjustment Screw
18----	129123	Piston
19----	129126	Diaphragm, Secondary
20----	129349	Cap, Glacia

Key #	Part #	Description
-------	--------	-------------

21----	129112	Protective Cover
22----	129118	Plug, HP Port, 7/16 inch
23----	820072P	O-ring, HP Port (20 pk)
24----	129119	Plug, MP Port, 3/8 inch
25----	820011P	O-ring (25 pk)
26----	129209	Filter, ACD
27----	129212	Yoke Retainer, ACD
28----	129204	Spring, ACD
29----	820009P	O-ring (10 pk)
30----	129205	Yoke Crown, ACD
31----	129207	Yoke Valve, ACD
32----	124611	Yoke, Chrome
33----	124555	Dust Cap
34----	107507	Yoke Screw
35----	129214	DIN Filter Holder
36----	128119	DIN Handwheel, ACD
37----	820010P	O-ring (25 pk)
38----	129213	DIN Screw, ACD
39----	820322P	O-ring (10 pk)
40----	129203	DIN Shutter Crown, ACD
41----	820094P	O-ring (20 pk)
42----	129202	DIN Shutter Valve, ACD
43----	129216	DIN Cap, ACD

Part numbers in **BOLD ITALICS** indicate standard overhaul replacement part.

Titan LX • Titan LX Supreme 2009-Present

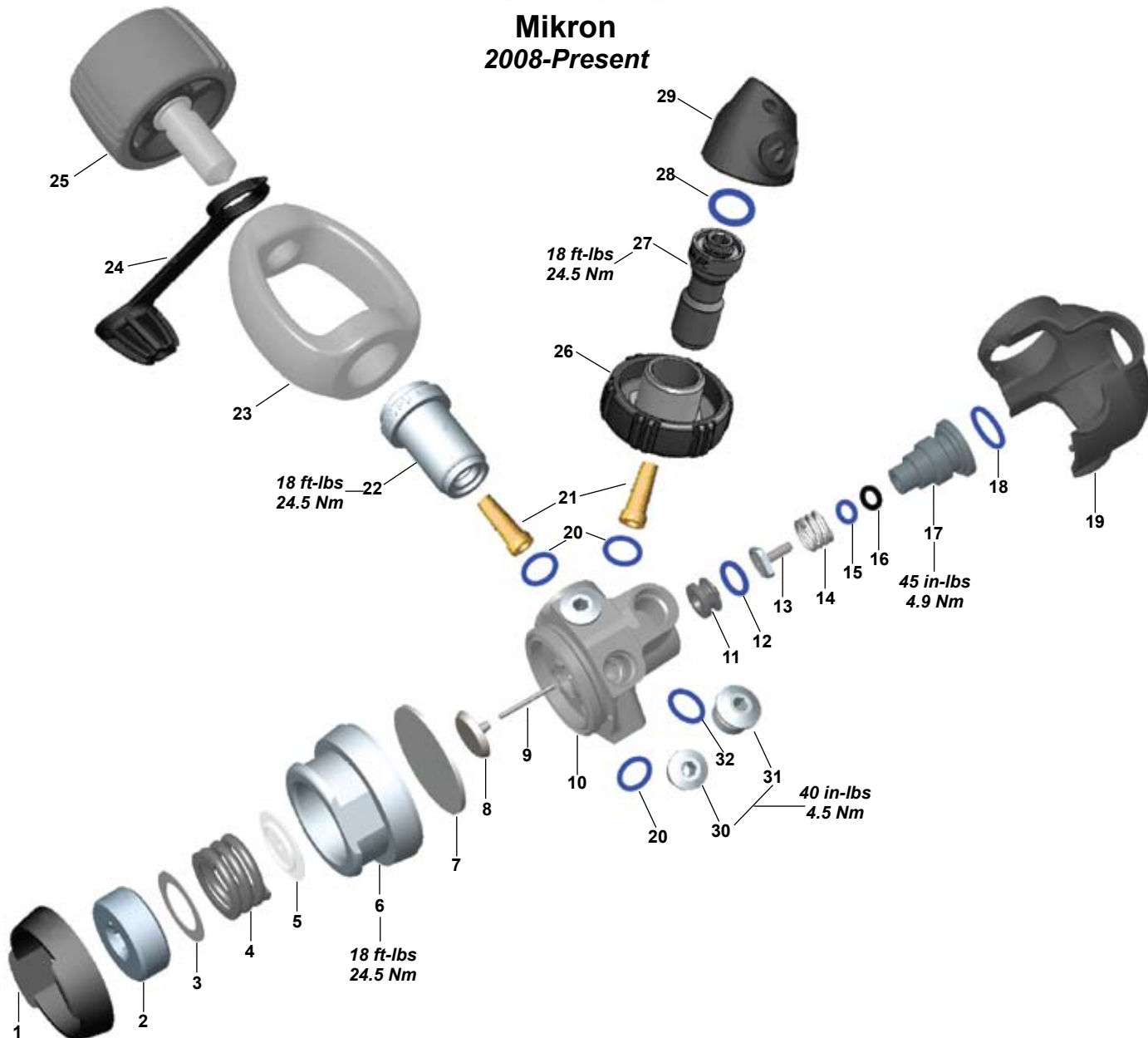


Key #	Part #	Description
----	128245	First Stage, Titan LX, Yoke
----	128265	First Stage, Titan LX Supreme, Yoke
----	128142	DIN Adapter Kit, ACD
----	128143	Superve/Dry Kit, Titan LX
----	900018	Overhaul Parts Kit, (Yoke and DIN)
1----	128123	Diaphragm Retainer
2----	127579	Diaphragm, Secondary
3----	125713	Decal, Aqua Lung Logo
4----	127581	Piston
5----	128122	Retainer Cover, Supreme
----	128121	Retainer Cover
6----	127566	Adjustment Screw, Supreme
----	128117	Adjustment Screw
7----	127568	Washer
8----	127567	Spring
9----	127565	Spring Pad
10----	128115	Diaphragm Clamp, Supreme
----	128113	Diaphragm Clamp
11----	119159	Diaphragm
12----	127563	Pin Support
13----	127564	Pin
14----	127844	Body
----	127873	Body, w/2-HP Ports
15----	127585	Crown
16----	820038P	O-ring (20 pk)

Key #	Part #	Description
17----	105940	HP Seat
18----	122244	Spring
19----	820080P	O-ring (25 pk)
20----	119129	Back-up Ring
21----	824407P	O-ring (20 pk)
22----	129120	Plug
23----	128111	Protector, Body
----	128124	Protector, Body, (2-HP Ports)
24----	820072P	O-ring (20 pk)
25----	103137	Plug, HP Port, 7/16"
26----	820011P	O-ring (25 pk)
27----	103133	Plug, MP Port, 3/8"
28----	127574	Yoke Screw
29----	124555	Dust Cap
30----	124611	Yoke
31----	129207	Yoke Valve
32----	129205	Yoke Crown
33----	820009P	O-ring (10 pk)
34----	129204	Spring
35----	129212	Yoke Retainer
36----	129209	Filter
37----	129216	DIN ACD Cap
38----	129202	DIN Shutter Valve
39----	820094P	O-ring (20 pk)
40----	129203	DIN Shutter crown
41----	820322P	O-ring ((10 pk)
42----	129213	DIN Screw
43----	820010P	O-ring (25 pk)
44----	128119	DIN Handwheel
45----	129214	DIN Filter Holder

Part numbers in **BOLD ITALICS** indicate standard overhaul replacement part.

Mikron 2008-Present



Key #	Part #	Description
-------	--------	-------------

Key #	Part #	Description
-------	--------	-------------

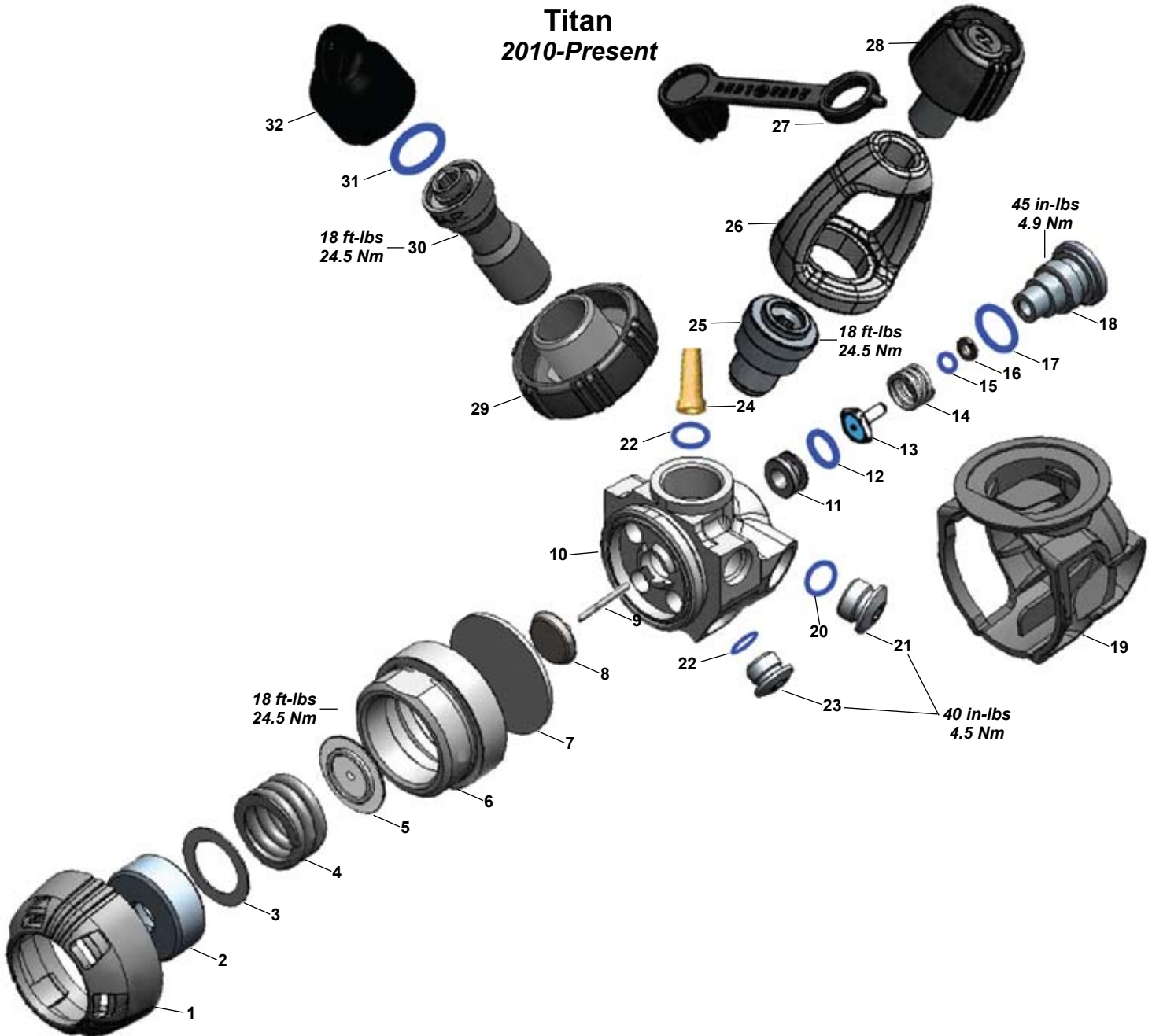
- 127905 First Stage, Mikron, Yoke, Blk/Green
- 127925 First Stage, Mikron, Yoke, Blk/Pink
- 127865 DIN Adapter Kit, (Mikron)
- **900014** **Overhaul Parts Kit, (Yoke and DIN)**

- 1 ---- 127872 Spacer, Black/Green
- 127878 Spacer, Black/Pink
- 127837 Spacer, Black/Red
- 127839 Spacer, Vanilla
- 2 ---- 127566 Adjustment Screw
- 3 ---- 127568** **Washer**
- 4 ---- 127567 Spring
- 5 ---- 127565 Spring Pad
- 6 ---- 127583 Spring Retainer
- 127874 Spring Retainer, (2-HP Ports)
- 7 ---- 119159** **Diaphragm**
- 8 ---- 127563 Pin Support
- 9 ---- 127564 Pin
- 10 ---- 127844 Body
- 127873 Body, w/2-HP Ports
- 11 ---- 127585 Crown
- 12 ---- 820038P** **O-ring (20 pk)**

- 13 ---- 105940** **HP Seat**
- 14 ---- 122244 Spring
- 15 ---- 820080P** **O-ring (25 pk)**
- 16 ---- 119129** **Back-up Ring**
- 17 ---- 129120 Plug
- 18 ---- 824407P** **O-ring (20 pk)**
- 19 ---- 127804 Sheath, Black
- 127831 Sheath, Vanilla
- 127876 Sheath, Black, (2-HP Ports)
- 20 ---- 820011P** **O-ring (25 pk)**
- 21 ---- 129151** **Filter**
- 22 ---- 127808 Inlet Fitting
- 23 ---- 127807 Yoke
- 24 ---- 124555 Dust Cap
- 25 ---- 127805 Yoke Screw
- 26 ---- 127803 DIN Handwheel
- 27 ---- 127801 DIN Fitting
- 28 ---- 820094P** **O-ring (20 pk)**
- 29 ---- 129216 DIN ACD Cap
- 30 ---- 103133 Plug, MP Port, 3/8"
- 31 ---- 103137 Plug, HP Port, 7/16"
- 32 ---- 820072P** **O-ring (20 pk)**

Part numbers in **BOLD ITALICS** indicate standard overhaul replacement part.

Titan 2010-Present

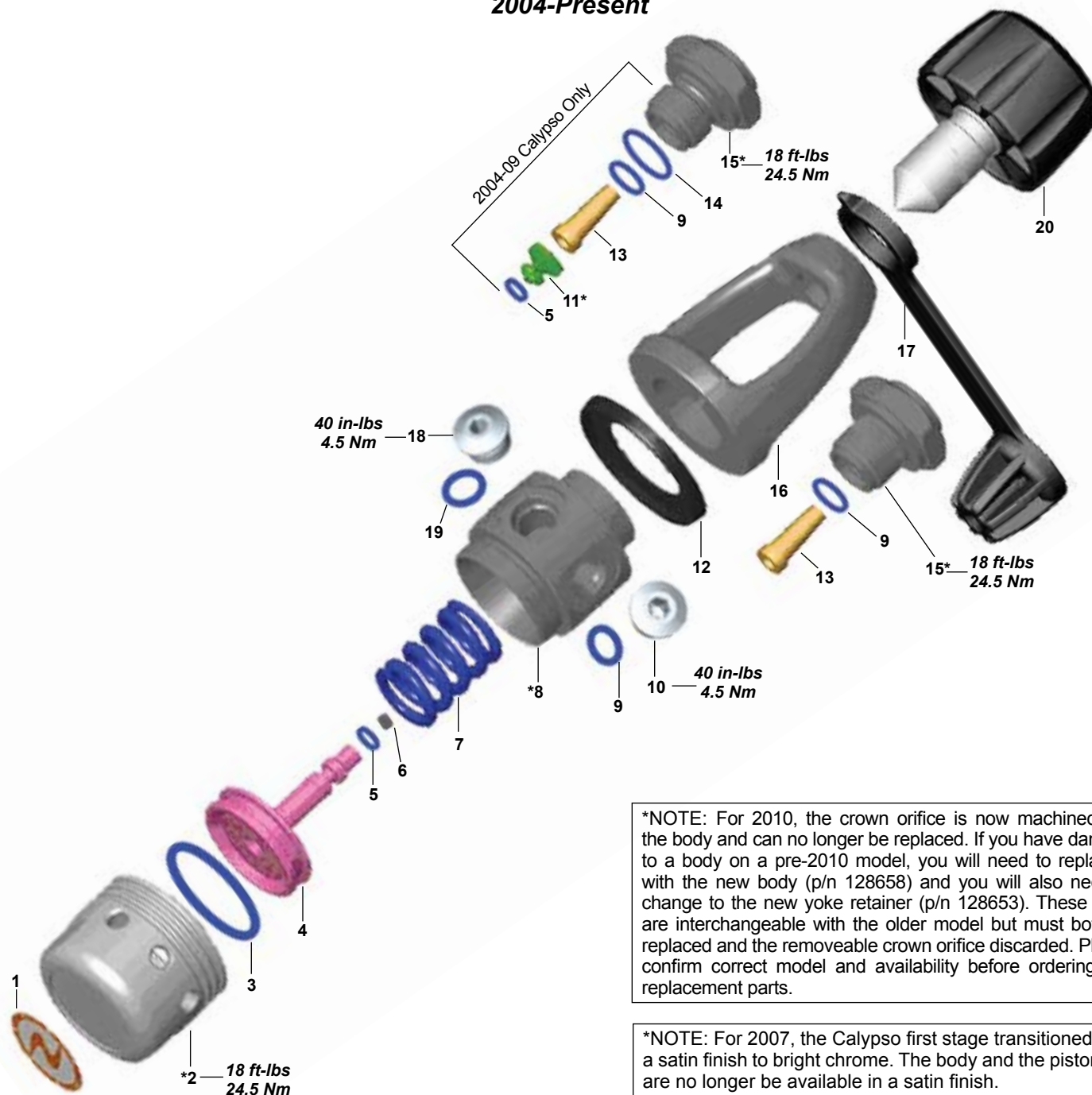


Key #	Part #	Description
----	128205	First Stage, Titan, Yoke
----	128545	DIN Adapter Kit, (Titan)
----	128142	DIN ACD Conversion Kit
----	128143	Supreme/Dry Kit
----	900014	Overhaul Parts Kit, (Yoke and DIN)
1----	128634	Retainer Cover
2----	128117	Adjustment Screw
3----	127568	Washer
4----	127567	Spring
5----	127565	Spring Pad
6----	128113	Spring Retainer
7----	119159	Diaphragm
8----	127563	Pin Support
9----	127564	Pin
10----	127844	Body
----	127873	Body, w/2-HP Ports
11----	127585	Crown
12----	820038P	O-ring (20 pk)
13----	105940	HP Seat

Key #	Part #	Description
14----	122244	Spring
15----	820080P	O-ring (25 pk)
16----	119129	Back-up Ring
17----	824407P	O-ring (20 pk)
18----	129120	Plug
19----	128111	Protector, Body
----	128124	Protector, Body, (2-HP Ports)
20----	820072P	O-ring (20 pk)
21----	103137	Plug, HP Port, 7/16"
22----	820011P	O-ring (25 pk)
23----	103133	Plug, MP Port, 3/8"
24----	129151	Filter
25----	128633	Inlet Fitting
26----	124611	Yoke
27----	124555	Dust Cap
28----	128631	Yoke Screw
29----	128632	DIN Handwheel
30----	127801	DIN Fitting
31----	820094P	O-ring (20 pk)
32----	107443	DIN Cap

Part numbers in **BOLD ITALICS** indicate standard overhaul replacement part.

Calypso 2004-Present



*NOTE: For 2010, the crown orifice is now machined into the body and can no longer be replaced. If you have damage to a body on a pre-2010 model, you will need to replace it with the new body (p/n 128658) and you will also need to change to the new yoke retainer (p/n 128653). These parts are interchangeable with the older model but must both be replaced and the removeable crown orifice discarded. Please confirm correct model and availability before ordering any replacement parts.

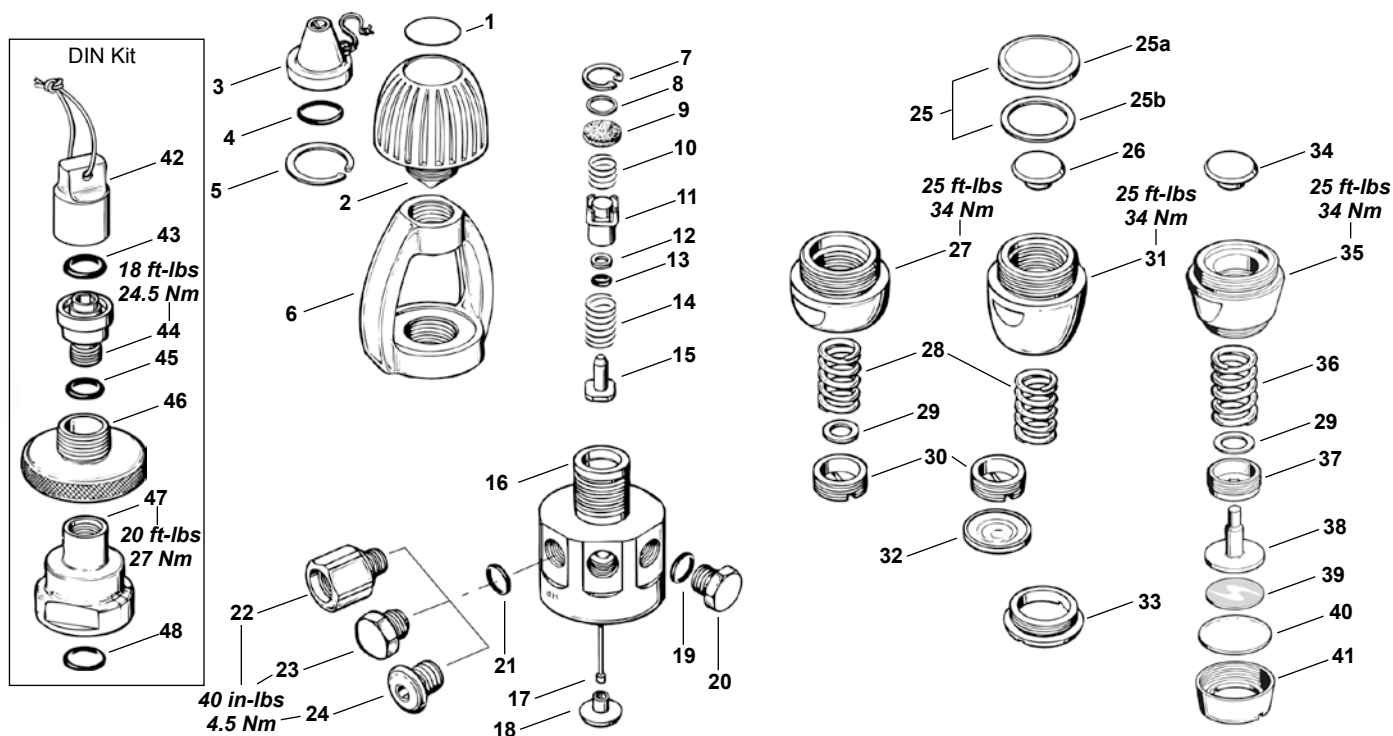
*NOTE: For 2007, the Calypso first stage transitioned from a satin finish to bright chrome. The body and the piston cap are no longer be available in a satin finish.

Key #	Part #	Description
-----	128705	First Stage, Calypso, Yoke, 2010
-----	900015	Overhaul Parts Kit
1----	128657	Decal, Aqua Lung logo, Orange
-----	125713	Decal, Aqua Lung logo
2----	125712	Piston cap, chrome
3----	820062P	O-ring (10 pk)
4----	125717	Piston
5----	820007P	O-ring (20 pk)
6----	106726	HP seat
7----	106771	Spring
8----	128658	Body, 2010 Calypso, chrome
-----	NLA	Body, pre-2010
9----	820011P	O-ring (25 pk)

Key #	Part #	Description
10----	103133	Plug, MP Port, 3/8 inch
11----	106767	Crown orifice (only used on pre-2010 model)
12----	125710	Yoke washer
13----	129151	Filter
14----	820015P	O-ring (10 pk)
15----	128653	Inlet fitting, 2010 Calypso
-----	NLA	Inlet fitting, pre-2010
16----	106843	Yoke, satin
-----	124611	Yoke, bright Chrome
17----	124555	Dust cap
18----	103137	Plug, HP Port, 7/16 inch
19----	957004P	O-ring (25 pk)
20----	107507	Yoke screw
-----	107508	Yoke screw, green, Nitrox, O ₂

Part numbers in **BOLD ITALICS** are included in the service kit.

Conshelf XIV & XIV Supreme 1978-Present (Military Only)

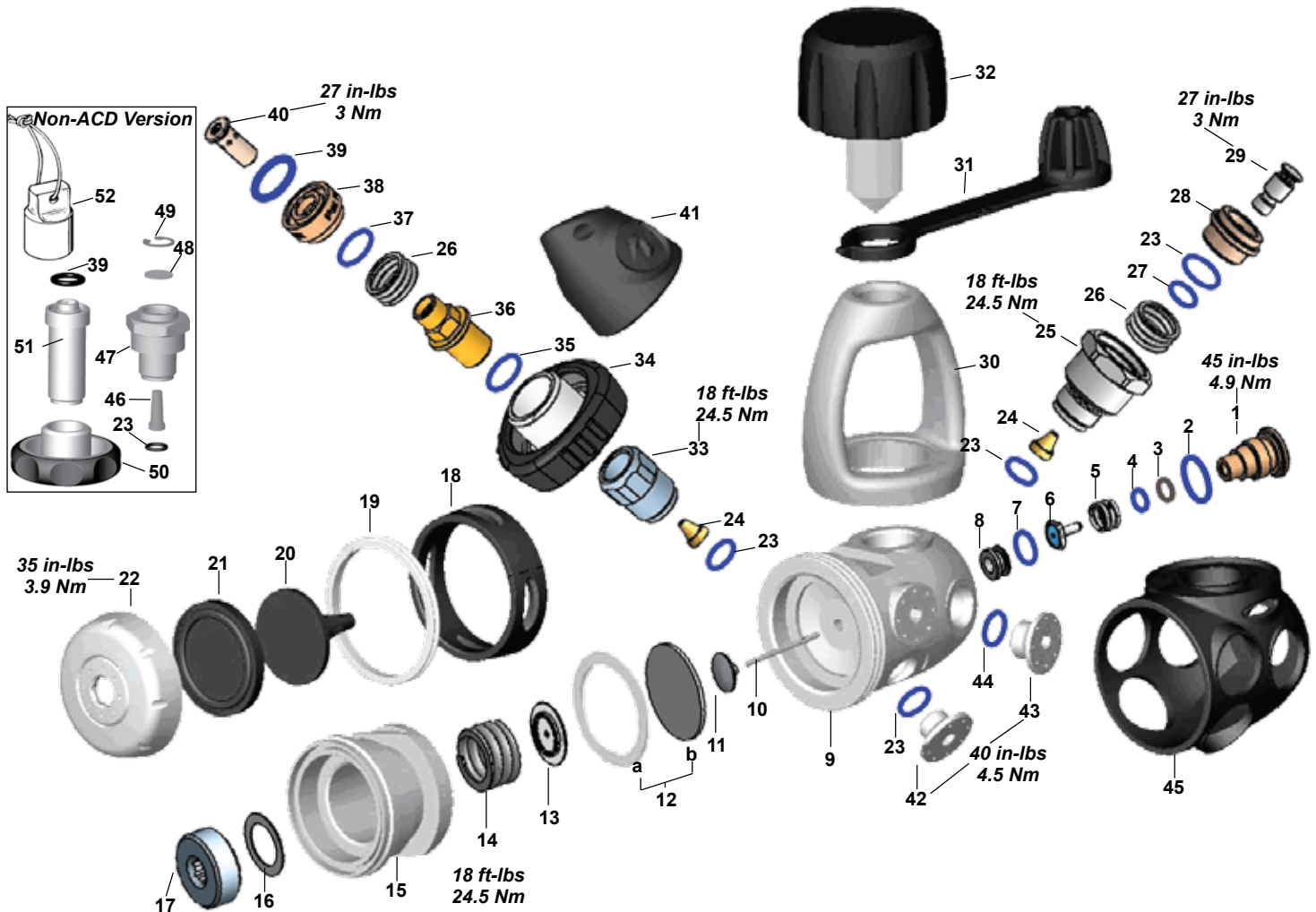


Key #	Part #	Description
----	107700	First Stage, Conshelf XIV
----	108810	First Stage, Conshelf XIV Supreme
----	900001	Overhaul Parts Kit
1----	NLA	Decal
2----	107506	Yoke Screw
3----	101012	Dust Cap
4----	820120P	O-ring (10 pk)
5----	861068	Retaining Ring
6----	700418	Yoke
7----	863051	Retaining Ring
8----	124628	Washer, Stainless
9----	105106	Filter
10----	104613	Spring
11----	105324	Balance Chamber
12----	119129	Back-up Ring, Black, Non-Split
----	828005	Back-up Ring, White, Split, Military Only
13----	820080P	O-ring (25 pk)
14----	101504	Spring
15----	105940	HP Seat
----	105321	HP Seat, Military Only
16----	105333	Body, Conshelf XIV, 5-port
17----	105323	Pin
18----	101727	Pin Support
19----	820011P	O-ring (3/8" Port) (25 pk)
20----	910912	Plug, MP Port, 3/8 inch
----	104304	Plug, MP Port, 3/8 inch
21----	957004P	O-ring (7/16" HP Port) (25 pk)
22----	101785	Adapter, HP, 7/16" Female to 3/8" Male
23----	910912	Plug, HP Port, 3/8 inch, Con XIV, pre-1998
24----	102003	Plug, HP Port, 7/16 inch
25----	103425	Diaphragm, Grey, w/Thrust Washer
25a----	103429	Diaphragm, Black, Military
25b----	821026	Thrust Washer, Military

Key #	Part #	Description
26----	101728	Spring Pad
27----	105326	Spring Retainer
28----	105327	Spring
29----	845097	Washer, Main Spring (non-oil filled only)
30----	101549	Adjustment Screw
Used on Supreme Models		
28----	105944	Spring (Supreme only)
31----	108851	Spring Retainer, Supreme
32----	108853	Secondary Diaphragm, Supreme
33----	108854	Diaphragm Retainer, Supreme
N/S----	108855	Silicone Fluid, 2 oz., Military Only
N/S----	108865	Silicone Fluid, 2 oz.
Used with "Dry" Environmental Kit		
----	100525	Dry Environmental Kit, Conshelf, Complete
34----	124560	Spring Pad
35----	106317	Spring Retainer
36----	106356	Spring
37----	106026	Adjustment Screw
38----	106319	Piston
39----	106338	Decal
40----	106337	External Diaphragm
41----	106318	Diaphragm Retainer
DIN Kit		
----	107455	DIN Adapter Kit, Conshelf
42----	107443	Protector Cap, DIN Connector
43----	820094P	O-ring (20 pk)
44----	106056	Handwheel Retainer, Conshelf
45----	820039P	O-ring (10 pk)
46----	108652	Handwheel, Conshelf, 300 BAR
47----	106057	DIN Adapter, Conshelf
48----	820014P	O-ring (25 pk)

Part numbers in **BOLD ITALICS** indicate standard overhaul replacement part.

Legend LX • Legend 2002-2011 *discontinued*

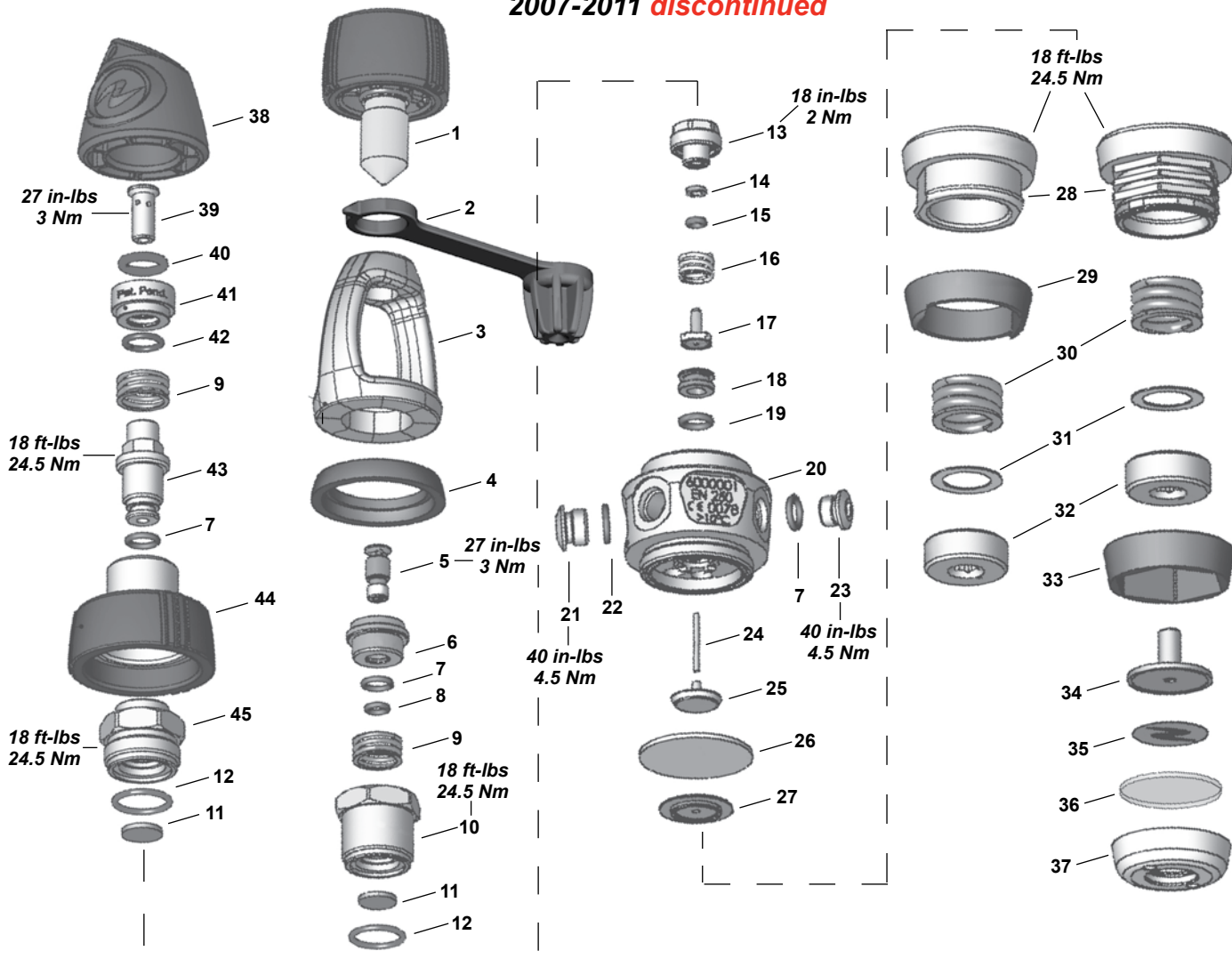


Key #	Part #	Description
----	129226	ACD Conversion Kit, Yoke
----	129227	ACD Conversion Kit, DIN
-----	900017	Overhaul Parts Kit ACD (Yoke and DIN)
-----	900014	Overhaul Parts Kit (Yoke and DIN)
1 ----	129120	HP Plug
2 ----	824407P	O-ring (20 pk)
3 ----	119129	Backup ring
4 ----	820080P	O-ring (25 pk)
5 ----	122244	Spring
6 ----	105940	HP Seat
7 ----	820038P	O-ring (20 pk)
8 ----	106027	Crown
9 ----	129111	Body
10 ----	102002	Pin
11 ----	129121	Pin Support
12 ----	103425	Diaphragm Kit (includes 19a & 19b)
13 ----	124560	Spring Pad
14 ----	106356	Main Spring
15 ----	129122	Spring Retainer
16 ----	845097	Washer
17 ----	106026	Adjustment Screw
18 ----	129128	Spacer
19 ----	129127	Ribbed Washer
20 ----	129123	Piston
21 ----	129126	Diaphragm, Secondary
22 ----	129196	Cap, Chrome
23 ----	820011P	O-ring (25 pk)
24 ----	129209	Filter, ACD

Key #	Part #	Description
25 ----	129212	Yoke Retainer, ACD
26 ----	129204	Spring, ACD
27 ----	820009P	O-ring (10 pk)
28 ----	129205	Yoke Crown, ACD
29 ----	129207	Yoke Valve, ACD
30 ----	124611	Yoke, Chrome
31 ----	124555	Dust Cap
32 ----	107507	Yoke Screw
33 ----	129214	DIN Filter Holder
34 ----	128119	DIN Handwheel, ACD
35 ----	820010P	O-ring (25 pk)
36 ----	129213	DIN Screw, ACD
37 ----	820322P	O-ring (10 pk)
38 ----	129203	DIN Shutter Crown, ACD
39 ----	820094P	O-ring (20 pk)
40 ----	129202	DIN Shutter Valve, ACD
41 ----	129216	DIN Cap, ACD
42 ----	129119	Plug, MP Port, 3/8 inch
43 ----	129118	Plug, HP Port, 7/16 inch
44 ----	820072P	O-ring, HP Port, (20-pk)
45 ----	129112	Protective Cover
46 ----	129151	Filter (non-ACD)
47 ----	129124	Inlet Fitting (non-ACD)
48 ----	129149	Shield (non-ACD)
49 ----	863051	C-Clip (non-ACD)
50 ----	129117	DIN Handwheel (non-ACD)
51 ----	129125	DIN Fitting (non-ACD)
52 ----	107443	DIN Cap (non-ACD)

Part numbers in **BOLD ITALICS** indicate standard overhaul replacement part.

Kronos • Kronos Supreme 2007-2011 *discontinued*



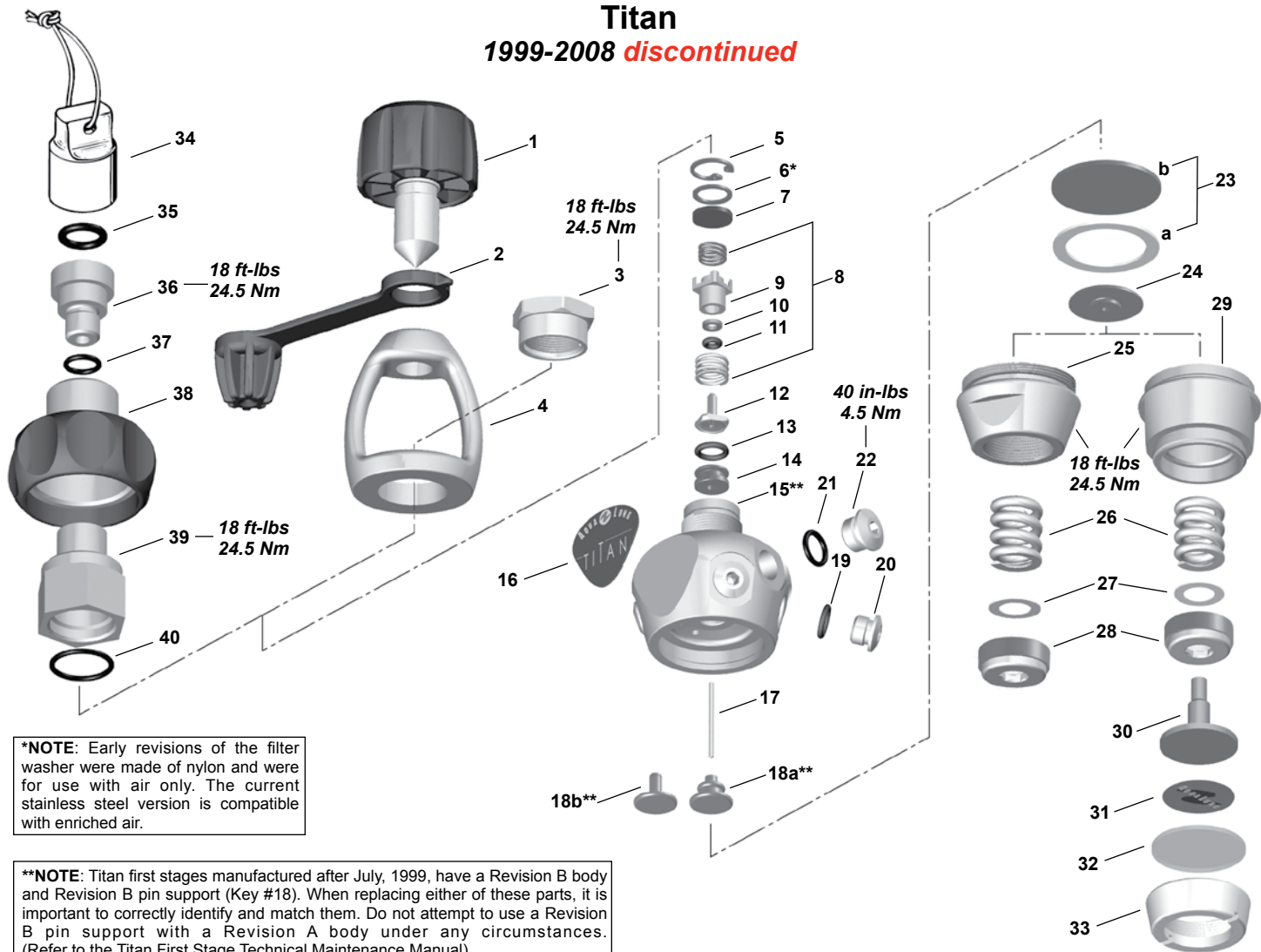
Key #	Part #	Description
-----	900018	Overhaul Parts Kit (Yoke and DIN)
1----	127574	Yoke Screw
2----	124555	Dust Cap
3----	106843	Yoke
4----	127575	Yoke Ring
5----	129207	Yoke Valve
6----	129205	Yoke Crown
7----	820011P	O-ring (25 pk)
8----	820009P	O-ring (10 pk)
9----	129204	Spring
10----	127576	Yoke Retainer
11----	105106	Filter
12----	820016P	O-ring (10 pk)
13----	127562	Balance Chamber
14----	119129	Back-up Ring
15----	820080P	O-ring (25 PK)
16----	122244	Spring
17----	105940	HP Seat
18----	127585	Crown
19----	820038P	O-ring (20 pk)
20----	127588	Body, Kronos
----	127589	Body, Kronos Supreme
21----	103137	Plug, HP Port, 7/16 inch
22----	820072P	O-ring (20 pk)

Key #	Part #	Description
23----	103133	Plug, MP Port, 3/8 inch
24----	127564	Pin
25----	127563	Pin Support
26----	119159	Diaphragm
27----	127565	Spring Pad
28----	127583	Spring Retainer
----	127577	Spring Retainer, Dry
29----	127586	Washer, Std Retainer
30----	127567	Spring
31----	127568	Washer
32----	127566	Adjustment Screw
33----	127587	Washer, Dry Retainer
34----	127581	Piston
35----	125713	Decal, Aqua Lung Logo
36----	127579	Diaphragm, Secondary
37----	127582	Diaphragm Retainer
38----	129216	DIN ACD Cap
39----	129202	DIN Shutter Valve
40----	820094P	O-ring (20 pk)
41----	129203	DIN Shutter Crown
42----	820322P	O-ring (10 pk)
43----	127573	DIN Screw
44----	127571	DIN Handwheel
45----	127572	Filter Holder

Part numbers in **BOLD ITALICS** indicate standard overhaul replacement part.

Titan

1999-2008 *discontinued*



***NOTE:** Early revisions of the filter washer were made of nylon and were for use with air only. The current stainless steel version is compatible with enriched air.

****NOTE:** Titan first stages manufactured after July, 1999, have a Revision B body and Revision B pin support (Key #18). When replacing either of these parts, it is important to correctly identify and match them. Do not attempt to use a Revision B pin support with a Revision A body under any circumstances. (Refer to the Titan First Stage Technical Maintenance Manual)

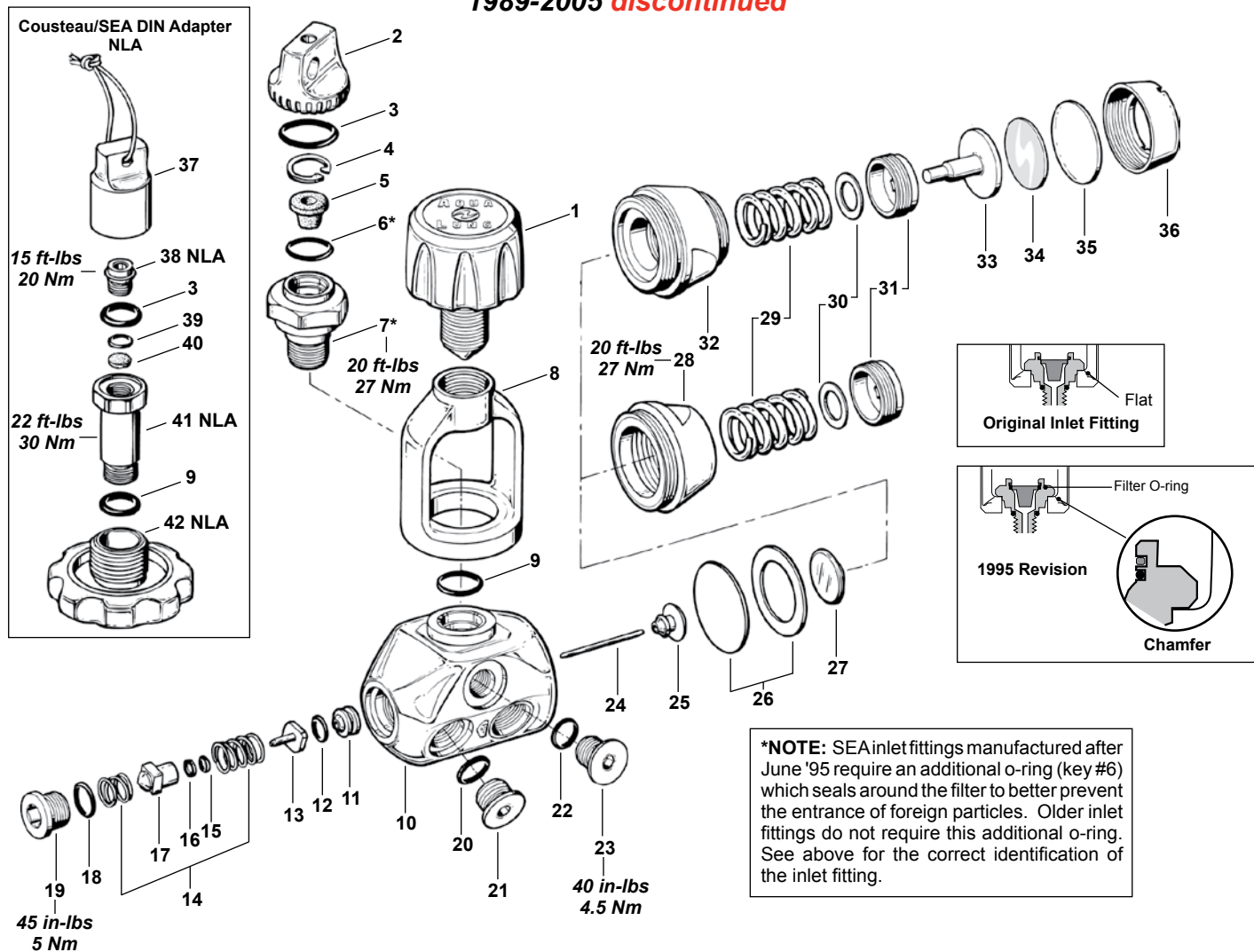
Key #	Part #	Description
-----	900001	Overhaul Parts Kit
1----	107507	Yoke Screw
2----	124555	Dust Cap
3----	103162	Yoke Retainer
4----	106843	Yoke
5----	863051	Circlip
6----	124628	Washer, Stainless (see *NOTE)
7----	105106	Filter
8----	101509	Spring Kit (includes both springs)
9----	105324	Balance Chamber
10----	119129	Backup Ring
11----	820080P	O-ring (25 pk)
12----	105940	HP Seat
13----	820038P	O-ring (20 pk)
14----	106027	Crown
15----	103101	Body, Rev. B (see **NOTE)
16----	103182	Decal, Titan
17----	102002	Pin
18a---	106022	Pin Support, Rev. A (see **NOTE)
18b---	101569	Pin Support Rev. B (see **NOTE)
19----	957004P	O-ring (7/16" HP Port) (25 pk)
20----	103137	Plug, HP Port, 7/16 inch
21----	820011P	O-ring (3/8" Port) (25 pk)
22----	103133	Plug, MP Port, 3/8 inch

Key #	Part #	Description
23----	103425	Diaphragm Kit (includes 23a & 23b)
24----	124560	Spring Pad
25----	103104	Spring Retainer
26----	106356	Spring
27----	845097	Washer
28----	106026	Adjustment Screw
Used with "Dry" Environmental Kit		
-----	100525	Dry Environmental Kit, Complete
29----	106317	Spring Retainer
30----	106319	Piston
31----	106338	Decal
32----	106337	Diaphragm, External
33----	106318	Diaphragm Retainer
Titan DIN Adapter		
-----	103172	DIN Adapter Kit, Titan
34----	107443	Protector Cap, DIN Connector
35----	820094P	O-ring (20 pk)
36----	106056	Handwheel Retainer
37----	820072P	O-ring (20 pk)
38----	103176	Handwheel
39----	103174	DIN Adapter
40----	820017P	O-ring (10 pk)

Part numbers in **BOLD ITALICS** indicate standard overhaul replacement part.

Cousteau • SEA

1989-2005 *discontinued*



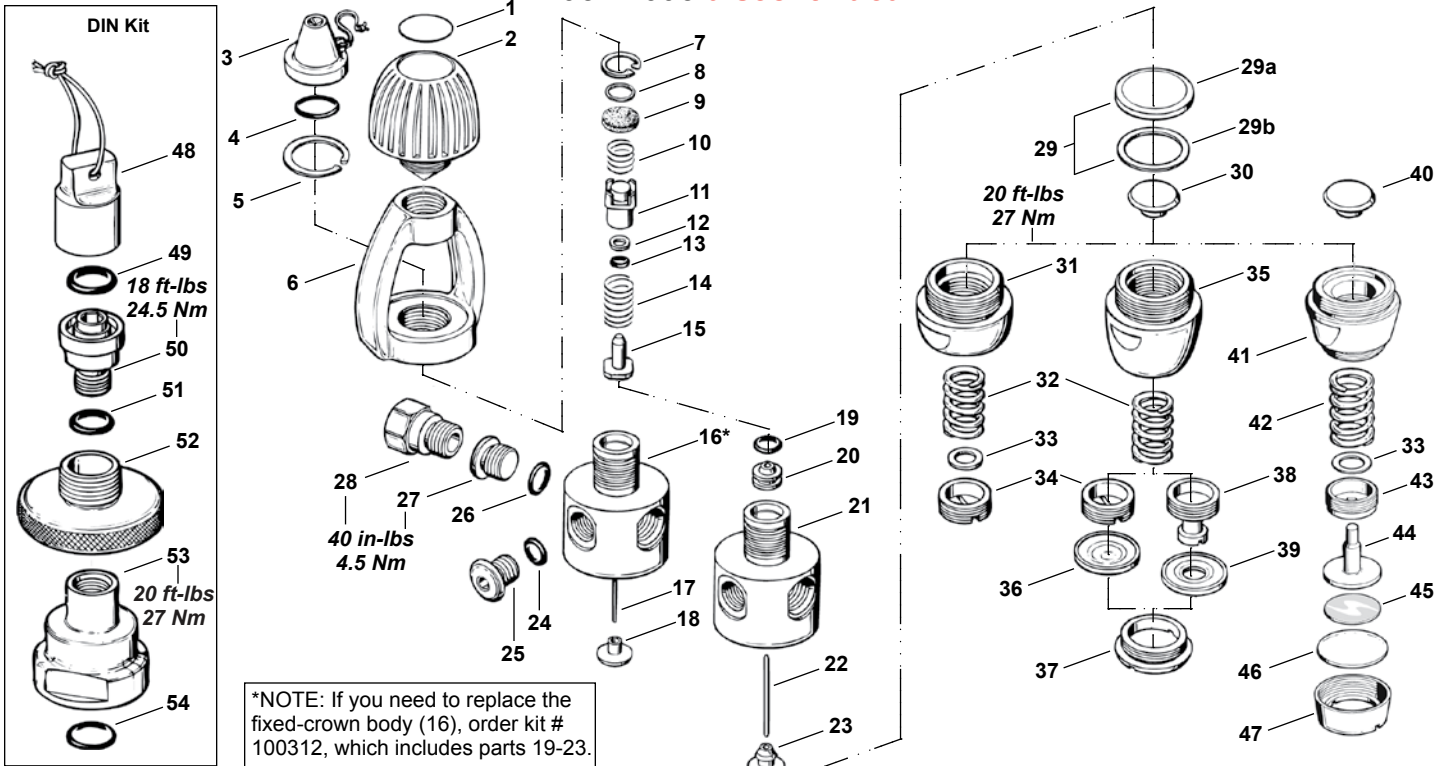
***NOTE:** SEA inlet fittings manufactured after June '95 require an additional o-ring (key #6) which seals around the filter to better prevent the entrance of foreign particles. Older inlet fittings do not require this additional o-ring. See above for the correct identification of the inlet fitting.

Key #	Part #	Description	Key #	Part #	Description
----	100525	Dry Environmental Kit, Complete	21	106303	Plug, HP Port, 7/16 inch
-----	900000	Overhaul Parts Kit	22	820011P	O-ring (25 pk)
1----	107507	Yoke Screw	23	106304	Plug, MP Port, 3/8 inch
2----	NLA	Dust Cap	24	106323	Pin
3----	820094P	O-ring (20 pk)	25	106022	Pin Support
4----	863051	Circlip	26	103425	Diaphragm w/ Thrust Washer
5----	106839	Filter	27	124560	Spring Pad
6----	820014P	O-ring (25 pk)	28	106324	Spring Retainer
7----	106339	Inlet Fitting	29	106356	Spring
8----	124611	Yoke	30	845097	Washer
9----	820013P	O-ring (10 pk)	31	106026	Adjustment Screw
10----	106322	Body	32	106317	Spring Retainer, Dry
11----	106027	Crown	33	106319	Piston
12----	820038P	O-ring (20 pk)	34	106338	Decal
13----	105940	HP Seat	35	106337	External Diaphragm
14----	101509	Spring Kit (includes both springs)	36	106318	Diaphragm Retainer
15----	820080P	O-ring (25 pk)	37	107443	Protector Cap, DIN Connector
16----	119129	Backup Ring	38	NLA	Filter Retainer
17----	101565	Balance Chamber	39	820010P	O-ring (pre-1999 models only) (25 pk)
18----	824407P	O-ring (20 pk)	40	106326	Filter
19----	106327	End Plug	41	NLA	Inlet Fitting
20----	957004P	O-ring (25 pk)	42	NLA	Handwheel

Part numbers in **BOLD ITALICS** indicate standard overhaul replacement part.

Conshelf SE3 • SE2 • SE2 Supreme

1987-1998 *discontinued*



*NOTE: If you need to replace the fixed-crown body (16), order kit # 100312, which includes parts 19-23.

Key # Part # Description

- 900001 **Overhaul Parts Kit**
- 107495 **Overhaul Parts Kit, Milit. SE2 (1st & 2nd)**
- 1 ---- NLA Decal
- 2 ---- 107506 Yoke Screw
- 3 ---- 101012 Dust Cap
- 4 ---- 820120P O-ring (10 pk)**
- 5 ---- 861068 Retaining Ring
- 6 ---- 700418 Yoke
- 7 ---- 863051 Retaining Ring**
- 8 ---- 124628 Washer, Stainless
- 9 ---- 105106 Filter**
- 10 ---- 104613 Spring
- 11 ---- 105324 Balance Chamber
- 12 ---- 828005 Back-up Ring, Split, White, Military Use**
- 119129 Back-up Ring, Black, Non-Split**
- 13 ---- 820080P O-ring (25 pk)**
- 14 ---- 101504 Spring
- 15 ---- 105940 HP Seat**
- Used on Fixed Crown Models**
- 16* ---- 100312 Body Replacement Kit, includes part 19-23 (see *NOTE)
- 17 ---- 102002 Pin
- 18 ---- 101569 Pin Support
- Used on Removable Crown Models**
- 19 ---- 820038P O-ring (20 pk)**
- 20 ---- 106027 Crown
- 21 ---- NLA Body
- 22 ---- 106323 Pin
- 23 ---- 106022 Pin Support
- 24 ---- 957025P O-ring (1/2" Port) (10 pk)**
- 820011P O-ring (3/8" Port) (25 pk)**
- 25 ---- 102004 Plug, MP Port, 1/2 inch
- 104304 Plug, MP Port, 3/8 inch
- 26 ---- 957004P O-ring (7/16" HP Port) (25 pk)**
- 27 ---- 102003 Plug, HP Port, 7/16 inch
- 28 ---- 102085 Adapter, HP, 3/8" Fem. to 7/16" Male
- 29 ---- 103425 Diaphragm Kit, Grey, w/Thrust Washer**
- 29a ---- 103429 Diaphragm, Black, Military**

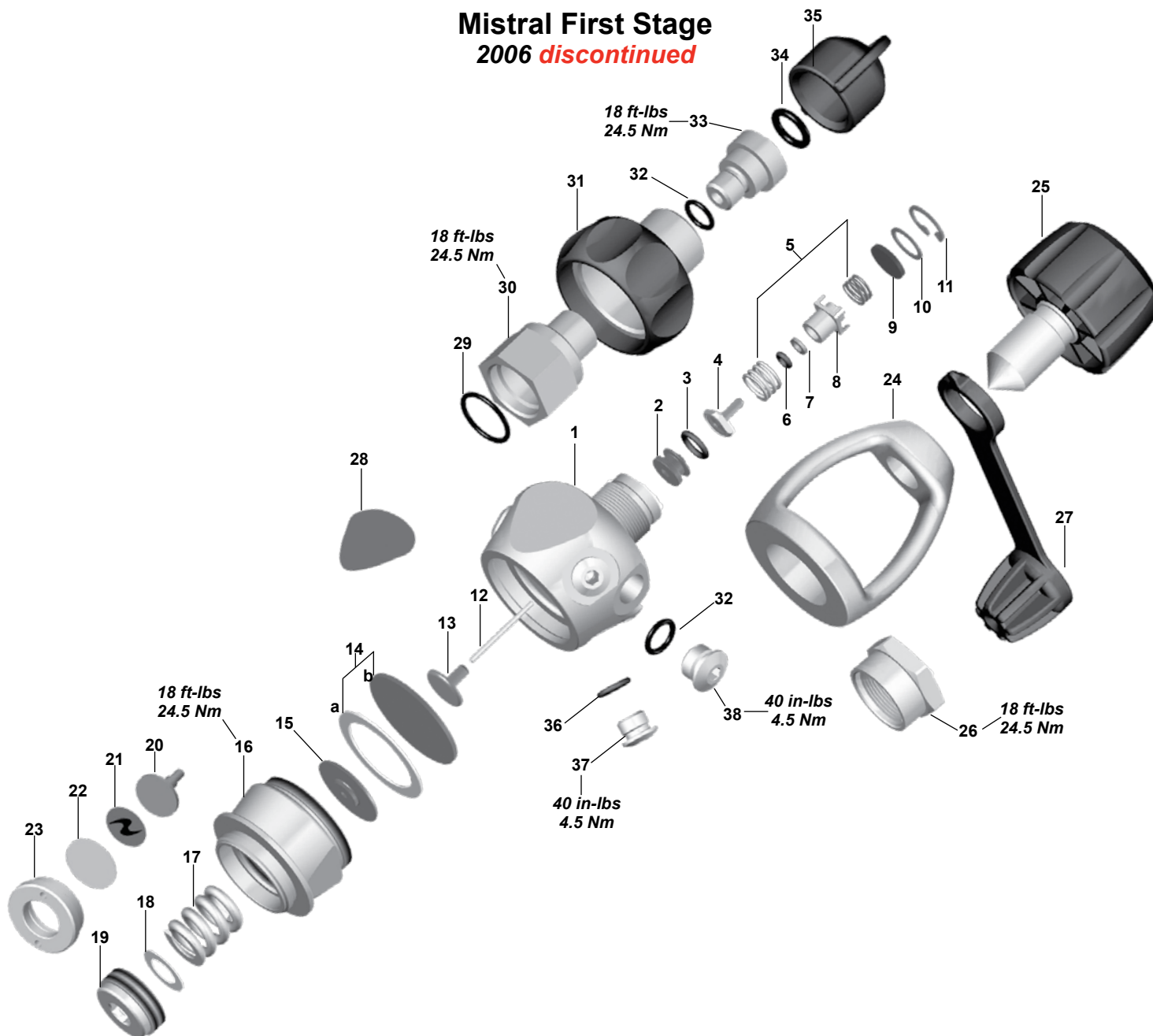
Key # Part # Description

- 29b --- 821026 Thrust Washer, Military**
- 30 ---- 101728 Spring Pad
- 31 ---- 105926 Spring Retainer (fine thread)
- 105326 Spring Retainer (coarse thread)
- 32 ---- 105327 Spring (fine & coarse thread non-Supreme)
- 33 ---- 845097 Washer, Main Spring (non-oil filled only)
- 34 ---- 106023 Adjustment Screw (fine thread)
- 101549 Adjustment Screw (coarse thread)
- Used on Supreme Models**
- 32 ---- 105944 Spring (coarse thread Supreme only)
- 105327 Spring (fine thread & EFA Supreme)
- 35 ---- 105927 Spring Retainer, Supreme (fine thread)
- 108851 Spring Retainer, Supreme (coarse thread)
- 36 ---- 108853 Secondary Diaphragm, Supreme**
- 37 ---- 108854 Diaphragm Retainer, Supreme
- N/S --- 108865 Silicone Fluid, 2 oz.**
- N/S --- 108855 Silicone Fluid, 2 oz., Military Only**
- Used Only on Externally Fine Adjustable Supreme**
- 38 ---- 105936 Adjustment Screw, EFA Supreme
- 39 ---- 108852 Secondary Diaphragm, EFA Supreme**
- Used with "Dry" Environmental Kit**
- 100525 Dry Environmental Kit, Conshelf, Complete
- 40 ---- 124560 Spring Pad
- 41 ---- 106317 Spring Retainer
- 42 ---- 106356 Spring
- 43 ---- 106026 Adjustment Screw
- 44 ---- 106319 Piston
- 45 ---- 106338 Decal
- 46 ---- 106337 External Diaphragm**
- 47 ---- 106318 Diaphragm Retainer
- DIN Kit**
- 107455 DIN Adapter Kit, Conshelf
- 48 ---- 107443 Protector Cap, DIN Connector
- 49 ---- 820094P O-ring (20 pk)**
- 50 ---- 106056 Handwheel Retainer, Conshelf
- 51 ---- 820039P O-ring (10 pk)**
- 52 ---- 108652 Handwheel, Conshelf, 300 BAR
- 53 ---- 106057 DIN Adapter, Conshelf
- 54 ---- 820014P O-ring (25 pk)**

Part numbers in **BOLD ITALICS** indicate standard overhaul replacement part.

Mistral First Stage

2006 *discontinued*

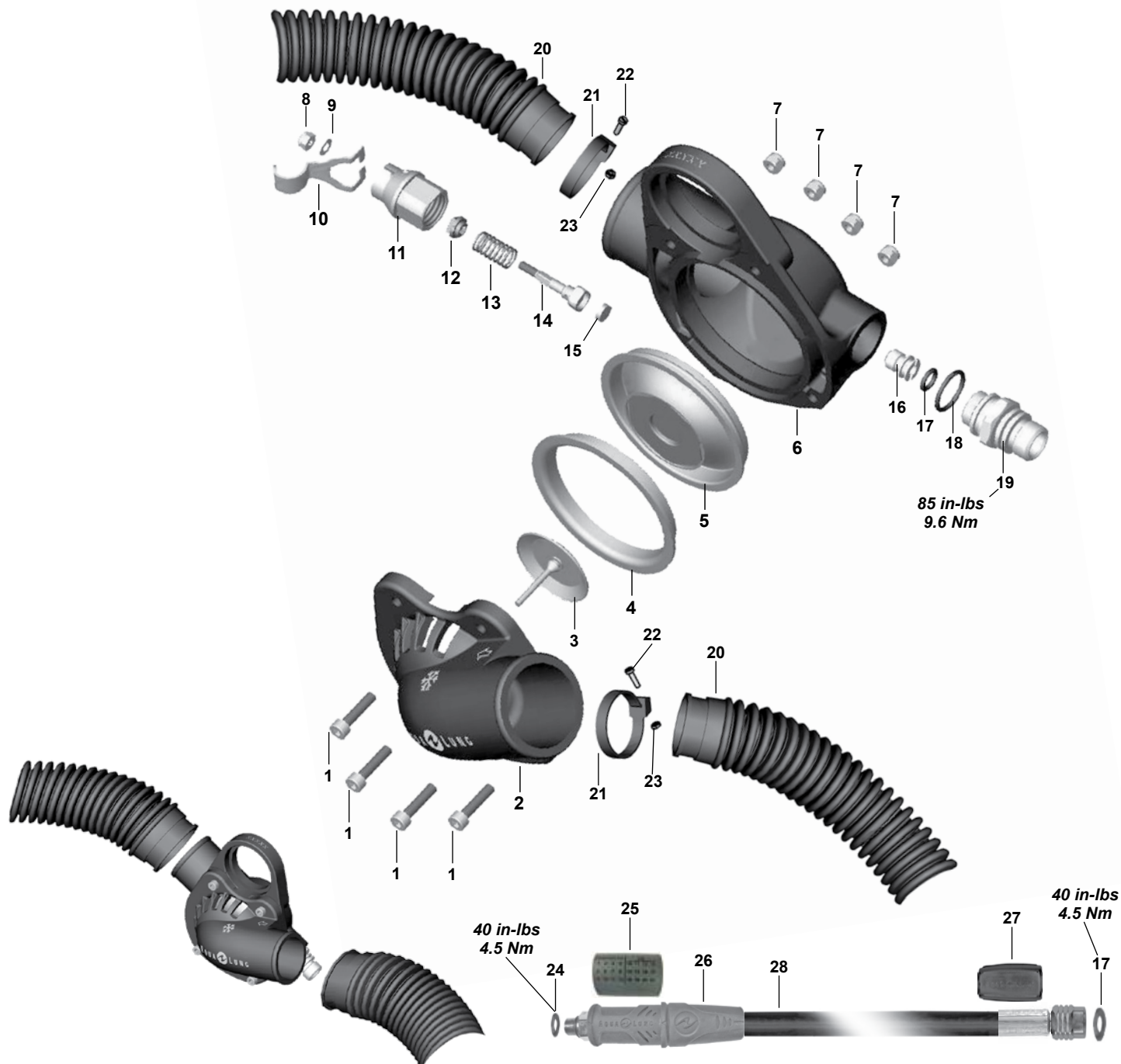


Key #	Part #	Description
-----	900016	Overhaul Parts Kit, Entire Mistral
1-----	103101	Body
2-----	106027	Crown
3-----	820038P	O-ring (20 pk)
4-----	105940	HP Seat
5-----	101509	Spring Kit (includes both springs)
6-----	820080P	O-ring (25 pk)
7-----	119129	Backup Ring
8-----	105324	Spring Block
9-----	105106	Filter
10-----	124628	Filter Washer
11-----	863051	Circlip
12-----	102002	Pin
13-----	101569	Pin Support
14-----	103425	Diaphragm Kit (includes 14a & 14b)
15-----	124560	Spring Pad
16-----	125923	Spring Retainer
17-----	106356	Spring
18-----	845097	Washer

Key #	Part #	Description
19-----	106026	Adjustment Screw
20-----	106319	Piston
21-----	125713	Aqua Lung Logo Decal
22-----	106337	Diaphragm
23-----	125924	Diaphragm Retainer
24-----	106843	Yoke
25-----	107507	Yoke Screw
26-----	103162	Yoke Retainer
27-----	124555	Dust Cap
28-----	129151	Mistral Decal
29-----	820017P	O-ring (10 pk)
30-----	103174	DIN Adapter
31-----	103176	Handwheel
32-----	820072P	O-ring (20 pk)
33-----	106056	Handwheel Retainer
34-----	820094P	O-ring (20 pk)
35-----	107443	DIN Cap
36-----	820011P	O-ring (25 pk)
37-----	103133	Plug, MP Port, 3/8"
38-----	103137	Plug, HP Port, 7/16"

Part numbers in **BOLD ITALICS** are included in the service kit.

Mistral Second Stage

2006 discontinued

Key # Part

Description

-----	900016	Overhaul Parts Kit, Entire Mistral
1----	125929	Screw, caphead
2----	125935	Exhalation box
3----	129174	Exhaust valve
4----	124509	Sealing ring
5----	125705	Diaphragm
6----	125937	Inhalation box
7----	125928	Locknut
8----	102510	Locknut
9----	104129	Washer
10----	125708	Lever
11----	125931	Valve insert
12----	104134	Poppet bearing
13----	104127	Spring

Key # Part

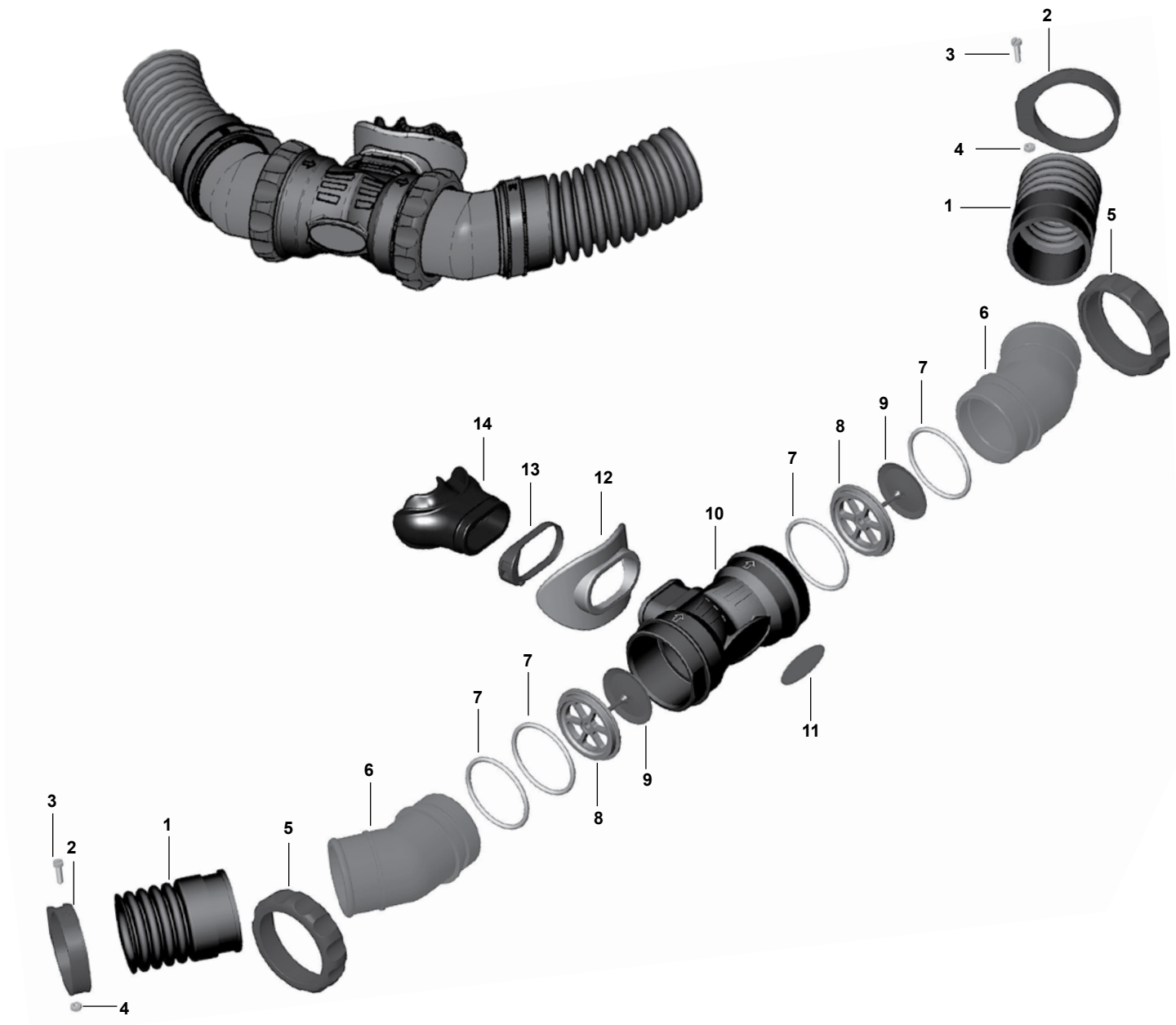
Description

14----	104122	Poppet
15----	106738	MP seat
16----	100128	Crown orifice
17----	820010P	O-ring (25 pk)
18----	820015P	O-ring (10 pk)
19----	104106	Inlet fitting
20----	125930	Corrugated hose
21----	125958	Clamping band "R"
22----	125975	Screw
23----	125976	Nut
24----	820011P	O-ring (25 pk)
25----	128624	Service Date Sleeve
26----	124570	Hose Protector, Black
27----	129160	Hose Sleeve
28----	125932	Mistral MP hose (630 mm)
-----	125934	Mistral MP hose (245 mm)

Part numbers in **BOLD ITALICS** are included in the service kit.

Mistral Mouthpiece

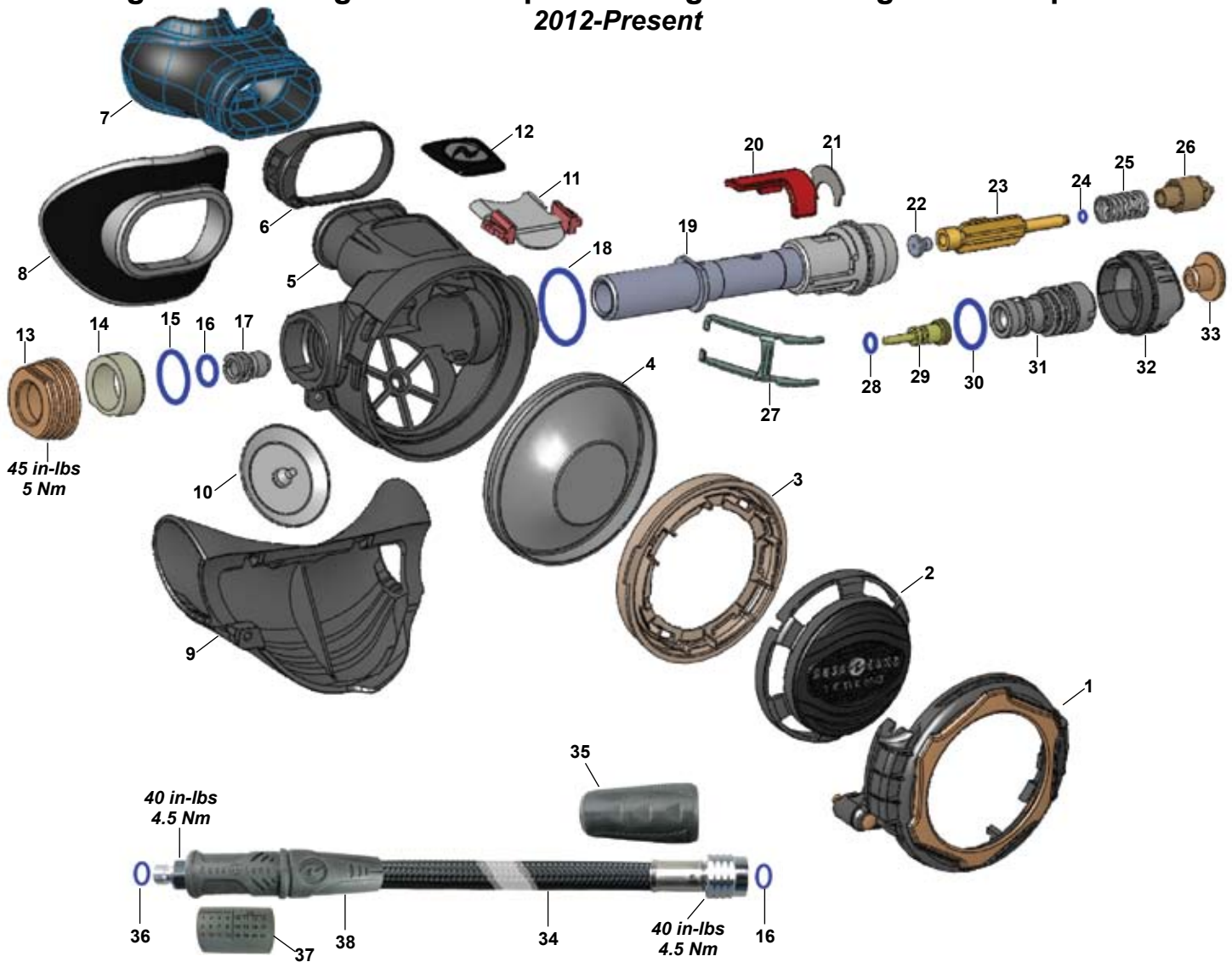
2006 discontinued



Key #	Part #	Description
-----	900016	Overhaul Parts Kit, Entire Mistral
1----	125930	Corrugated hose
2----	125939	Clamping band "M"
3----	125975	Screw
4----	125976	Nut
5----	125914	Connector ring
6----	125979	Connector, angled
7----	125915	O-ring
8----	125912	Mouthpiece valve support
9----	125925	Inhale-Exhale valve
10----	125918	Mouthpiece body
11----	125916	Mouthpiece decal
12----	109512	Lip shield
13----	129154	Mouthpiece clamp
14----	109438	Comfobite mouthpiece

Part numbers in **BOLD ITALICS** are included in the service kit.

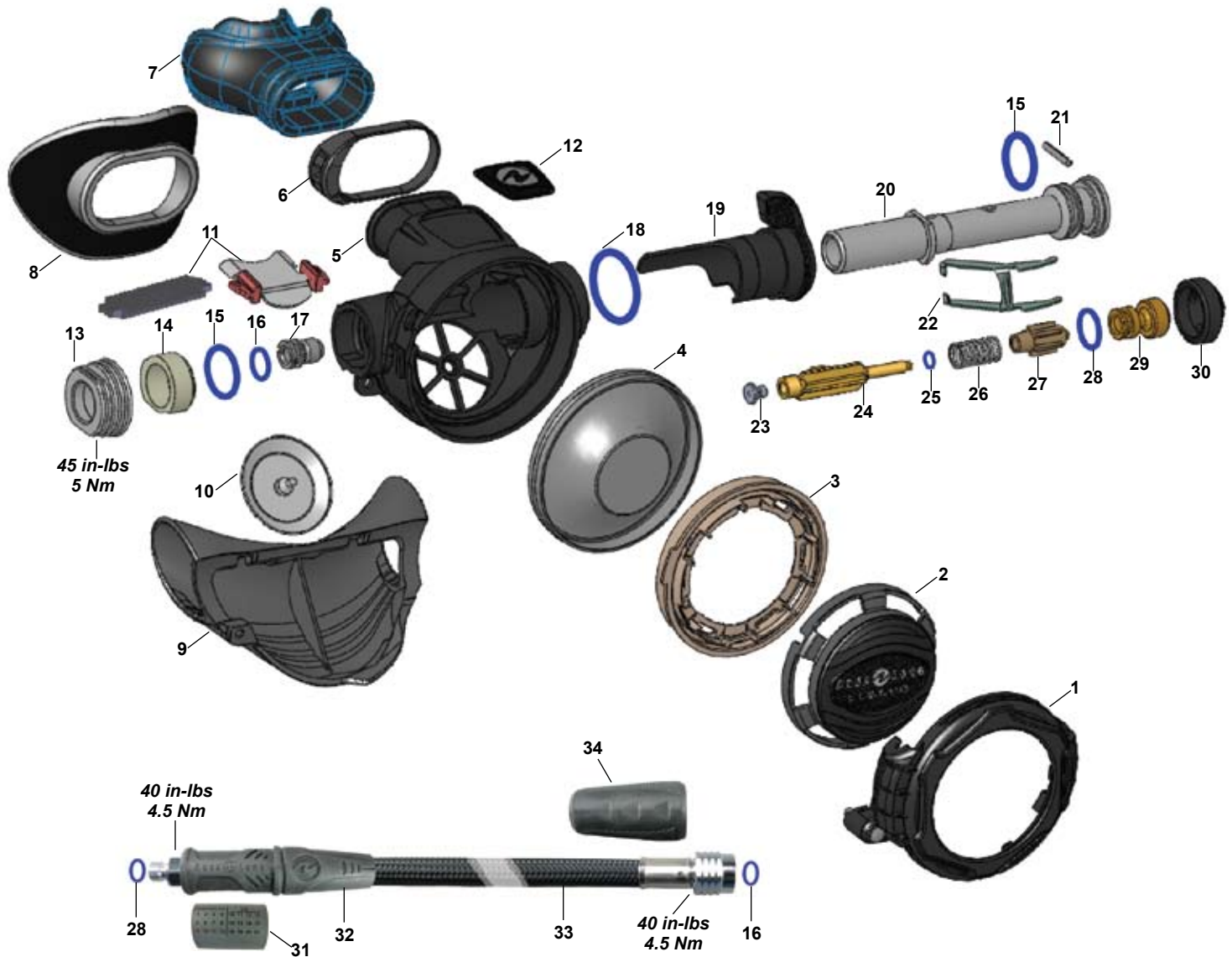
**Legend Lux • Legend Lux Supreme • Legend LX • Legend LX Supreme
2012-Present**



Key #	Part #	Description	Key #	Part #	Description
----	129655	Legend LX, Second Stage Only	17	AP2033	Crown
----	129675	Legend LX Supreme, Second Stage Only	18	AP1438P	O-ring (10 pk)
----	900022	Overhaul Parts Kit	19	129626	Valve Spindle, Comolded
1	129676	Front Cover w/Locker, LX	20	129644	Venturi
---	129777	Front Cover w/Locker, LUX, Pnk/Gold	21	129637	Venturi Key
2	129684	Purge Cover, Black	22	129638	MP Seat, Silicone
3	129656	Diaphragm Washer	23	AP2036	Shuttle Valve
4	129657	Diaphragm	24	AP2041P	O-ring (10 pk)
5	129672	Case, LX, Coated	25	AP2021	Spring
----	129678	Case, LX Supreme, Coated	26	129784	Counter-balance Chamber
6	129154	Mouthpiece Clamp	27	129178	Lever
7	109438	Mouthpiece, ComfoBite	28	820306	O-ring
---	104138	Mouthpiece, Standard	29	129632	Adjusting Screw
8	109512	Lip Shield, Supreme Model	30	820014P	O-ring (25 pk)
9	129732	Exhaust Cover, Coated	31	129628	Cam
10	129642	Exhaust Valve, non-Supreme models	32	129634	Adjusting Knob
----	129174	Exhaust Valve, Supreme models	33	129633	Plug, LX, Chrome
11	129648	Baffle	---	129723	Plug, LUX, Pnk/Gold
12	129617	Decal, Legend	---	129749	Plug, LX Supreme, Satin
13	129631	Heat Exchanger, LX, Chrome	34	129679	MP Hose, Braided, 3/8"x 29", w/Protectors (2)
---	129726	Heat Exchanger, LUX, Pnk/Gold	35	129636	Hose Sleeve
----	129748	Heat Exchanger, LX Supreme, Satin	36	820011P	O-ring (25 pk)
14	129652	Spacer	37	128624	Service Date Sleeve
15	820015P	O-ring (10 pk)	38	127859	Hose Protector, Black (for Braided hose)
16	820010P	O-ring (25 pk)			

Part numbers in **BOLD ITALICS** indicate standard overhaul replacement part.

Legend • Legend Supreme • Legend Octo
2012-Present

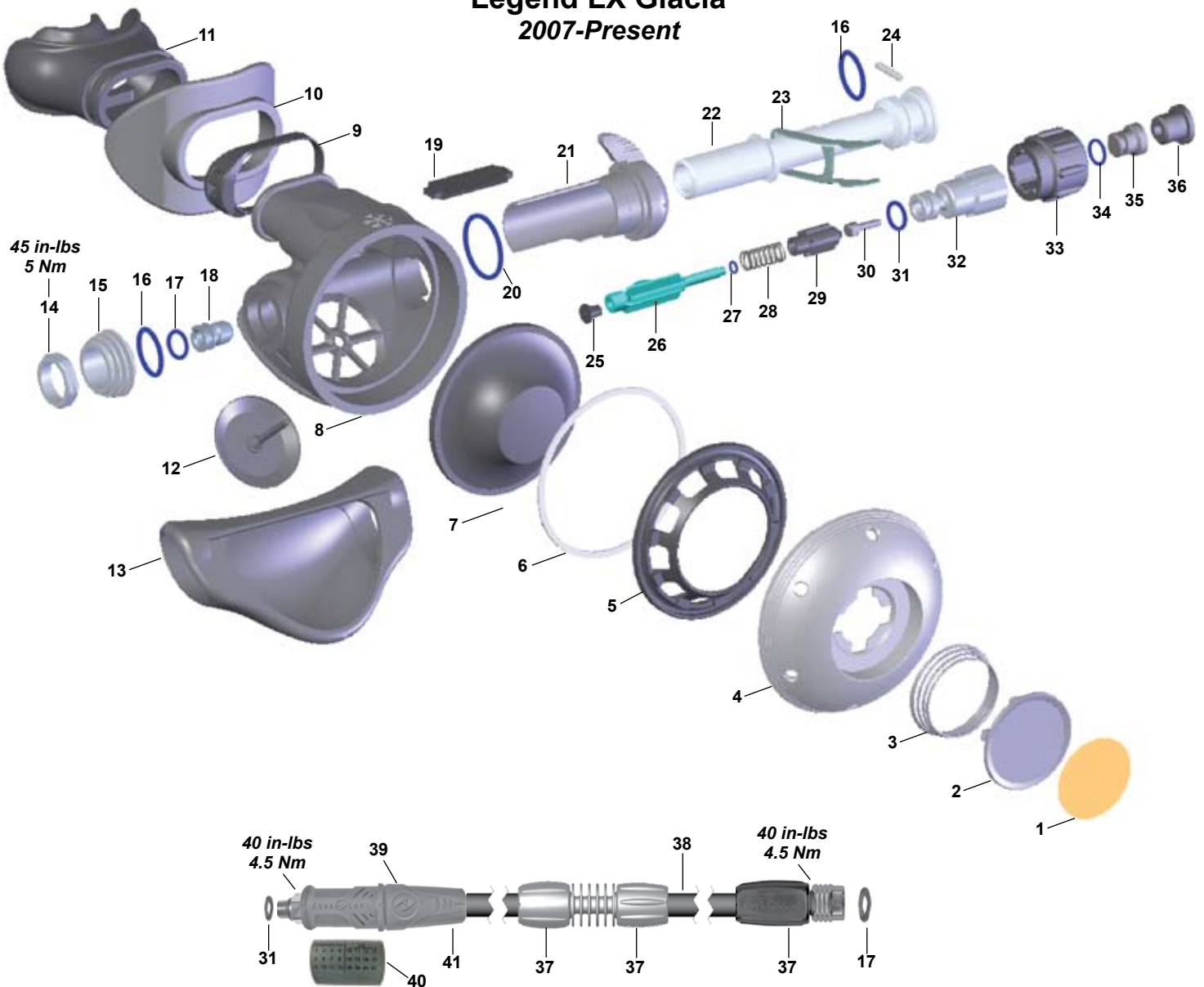


Key #	Part #	Description
----	129625	Legend, Second Stage Only
----	129665	Legend Supreme, Second Stage Only
----	900022	Overhaul Parts Kit
1 ----	129658	Front Cover w/Locker, Black
2 ----	129684	Purge Cover, Black
----	129686	Purge Cover, Octopus, Yellow
3 ----	129656	Diaphragm Washer
4 ----	129657	Diaphragm
5 ----	129669	Case, Legend
----	129677	Case, Legend Supreme, Octopus
6 ----	129154	Mouthpiece Clamp
7 ----	109438	Mouthpiece, ComfoBite
----	104138	Mouthpiece, Standard, Octopus
8 ----	109512	Lip Shield, Supreme Model
9 ----	129731	Exhaust Cover
10 ----	129642	Exhaust Valve, Legend models
----	129174	Exhaust Valve, Supreme, Octopus
11 ----	129648	Baffle, Legend, Legend Supreme
----	129184	Baffle, Octopus
12 ----	129617	Decal, Legend
13 ----	129631	Heat Exchanger, Legend, Chrome
----	129748	Heat Exchanger, Supreme, Octopus, Satin

Key #	Part #	Description
14 ----	129652	Spacer
15 ----	820015P	O-ring (10 pk)
16 ----	820010P	O-ring (25 pk)
17 ----	AP2033	Crown
18 ----	AP1438P	O-ring (10 pk)
19 ----	129661	Venturi Lever
----	129663	Venturi Lever, Octopus, Yellow
20 ----	129146	Valve Body
21 ----	AP1151	Pin
22 ----	129178	Lever
23 ----	129638	MP Seat
24 ----	AP2036	Shuttle Valve
25 ----	AP2041P	O-ring (10 pk)
26 ----	AP2021	Spring
27 ----	129784	Counter-balance Chamber
28 ----	820011P	O-ring (25 pk)
29 ----	129162	Adjustment Screw
30 ----	129662	Plug
31 ----	128624	Service Date Sleeve
32 ----	127859	Hose Protector, Black (for Braided hose)
33 ----	129679	MP Hose, Braided, 3/8"x 29", Blk, w/Protectors (2)
----	129681	MP Hose, Braided, 3/8"x 39", Yellow, w/Protectors (2)
34 ----	129636	Hose Sleeve

Part numbers in **BOLD ITALICS** indicate standard overhaul replacement part.

Legend LX Glacia 2007-Present

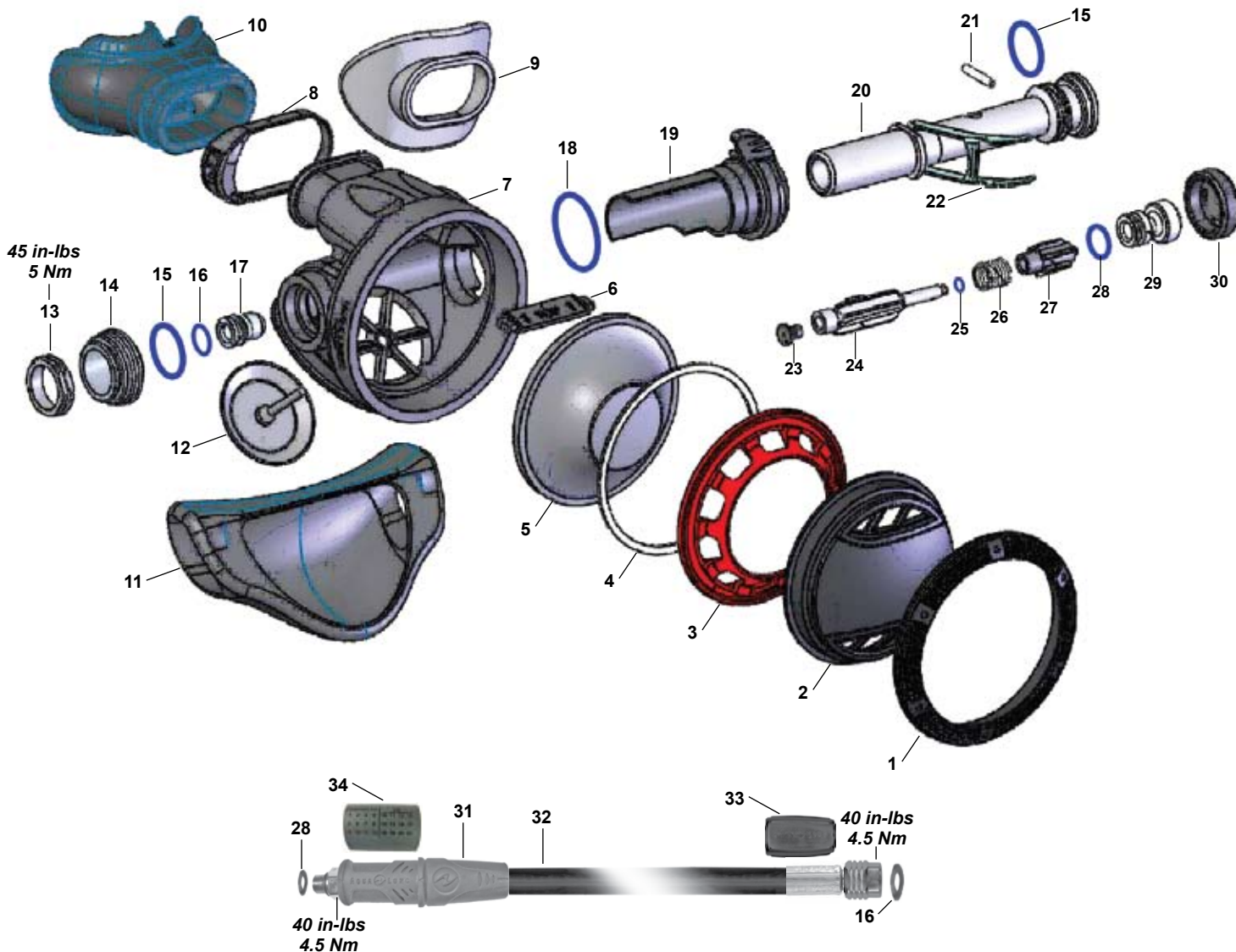


Key #	Part #	Description
----	129289	Legend LX Glacia, Second Stage Only
----	900012	Overhaul Parts Kit
1----	129282	Decal, Purge Button
2----	AP5805	Purge Button
3----	AP2020	Purge Spring
4----	129281	Purge Cover
5----	129195	Diaphragm Retainer
6----	129133	Thrust Washer
7----	129150	Diaphragm
8----	129188	Case
9----	129154	Mouthpiece Clamp
10----	109512	Lip Shield
11----	109438	Mouthpiece, ComfoBite
12----	129174	Exhaust Valve
13----	104102	Exhaust Tee
14----	AP2031	Retaining Nut
15----	129148	Heat Exchanger
16----	820015P	O-ring (10 pk)
17----	820010P	O-ring (25 pk)
18----	AP2033	Crown
19----	129184	Baffle

Key #	Part #	Description
20----	AP1438P	O-ring (10 pk)
21----	129138	Venturi Lever
22----	129146	Valve Body
23----	129178	Lever
24----	AP1151	Pin
25----	AP2034	MP Seat
26----	AP2036	Shuttle Valve
27----	AP2041P	O-ring (10 pk)
28----	AP2021	Spring
29----	AP2038	Counterbalance Chamber
30----	129129	Adjustment Pin
31----	820011P	O-ring (25 pk)
32----	129147	Adjustment Knob
33----	129130	Grip
34----	820009P	O-ring (10 pk)
35----	129135	Adjusting Screw
36----	129142	Plug
37----	129160	Hose Sleeve
38----	129343	MP Hose w/Heat X, 3/8"x 30"
39----	124570	Hose Protector, Black
40----	128624	Service Date Sleeve

Part numbers in **BOLD ITALICS** indicate standard overhaul replacement part.

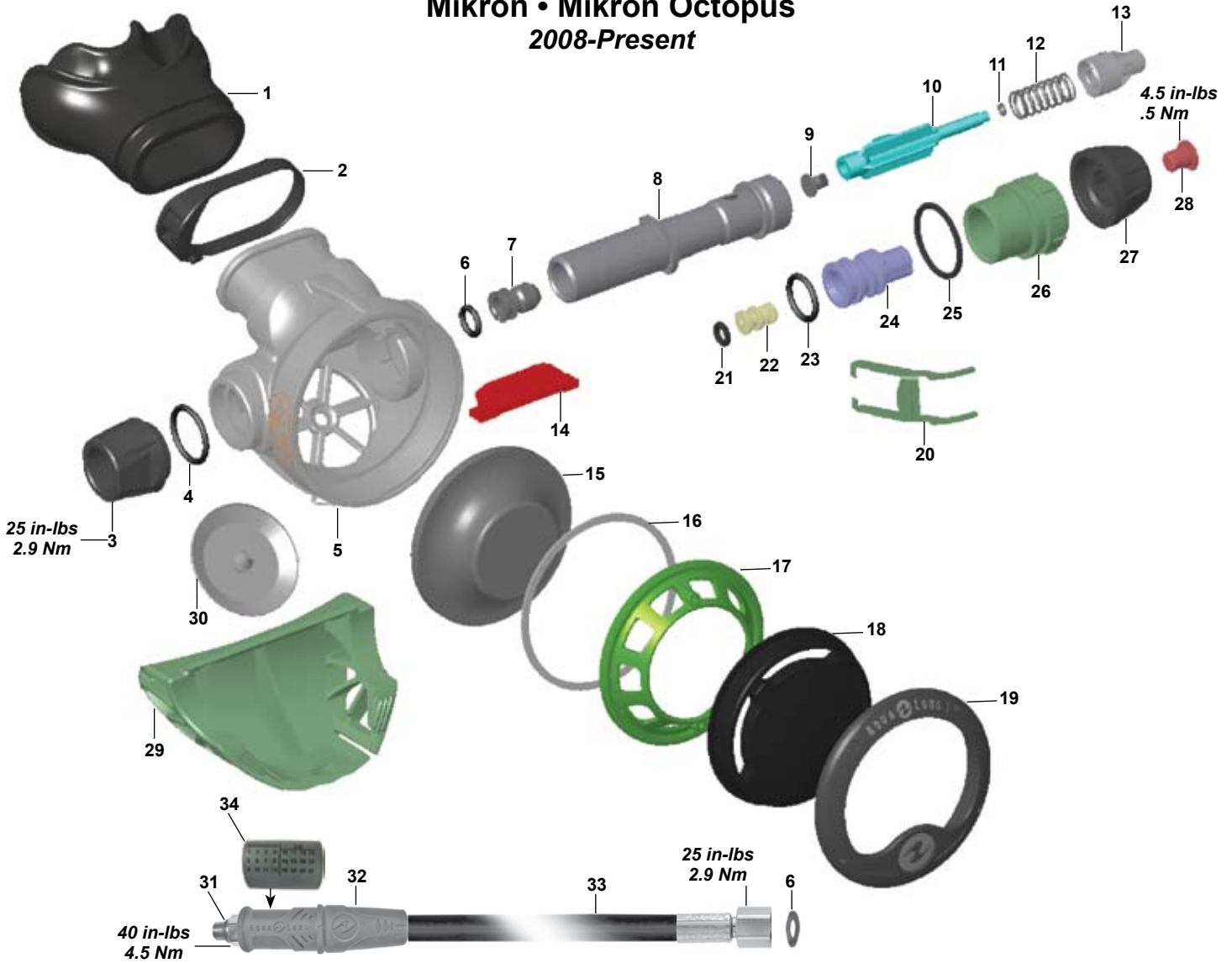
Titan LX • Titan LX Supreme • Titan LX Octo 2009-Present



Key #	Part #	Description	Key #	Part #	Description
-----	900012	Overhaul Parts Kit	14 ----	129148	Heat Exchanger
-----	128126	Titan LX, Second Stage Only	15 ----	820015P	O-ring (10 pk)
-----	128128	Titan LX Supreme, Second Stage Only	16 ----	820010P	O-ring (25 pk)
1 ----	128102	Retaining Ring, Black	17 ----	AP2033	Crown
2 ----	128103	Purge Cover, LX	18 ----	AP1438P	O-ring (10 pk)
-----	128105	Purge Cover, LX Supreme	19 ----	129139	Venturi Lever, Black
-----	128107	Purge Cover, LX Octo, Yellow	20 ----	129146	Valve Body
3 ----	128104	Diaphragm Retainer, LX, Red	21 ----	AP1151	Pin
-----	128108	Diaphragm Retainer, LX Supreme, Blue	22 ----	129178	Lever
-----	129195	Diaphragm Retainer, LX Octopus, Black	23 ----	AP2034	MP Seat
4 ----	129133	Thrust Washer	24 ----	AP2036	Shuttle Valve
5 ----	129150	Diaphragm	25 ----	AP2041P	O-ring (10 pk)
-----	129184	Baffle	26 ----	AP2021	Spring
7 ----	129164	Case, LX	27 ----	AP2038	Counterbalance Chamber
-----	129188	Case, LX Supreme	28 ----	820011P	O-ring (25 pk)
8 ----	129154	Mouthpiece Clamp	29 ----	129162	Adjustment Screw
9 ----	109512	Lip Shield, LX Supreme	30 ----	129161	Plug
10 ----	109438	Mouthpiece, ComfoBite	31 ----	124570	Hose Protector, Black
-----	104138	Mouthpiece, Standard	-----	124573	Hose Protector, Yellow
11 ----	104102	Exhaust Tee	32 ----	APF124563	MP Hose, 3/8" x 30", w/Protector
-----	129174	Exhaust Valve	-----	APF124566	MP Hose, 3/8" x 39", Yellow, w/ Protector
13 ----	AP2031	Retaining Nut	33 ----	129160	Hose Sleeve
			34 ----	128624	Service Date Sleeve

Part numbers in **BOLD ITALICS** indicate standard overhaul replacement part.

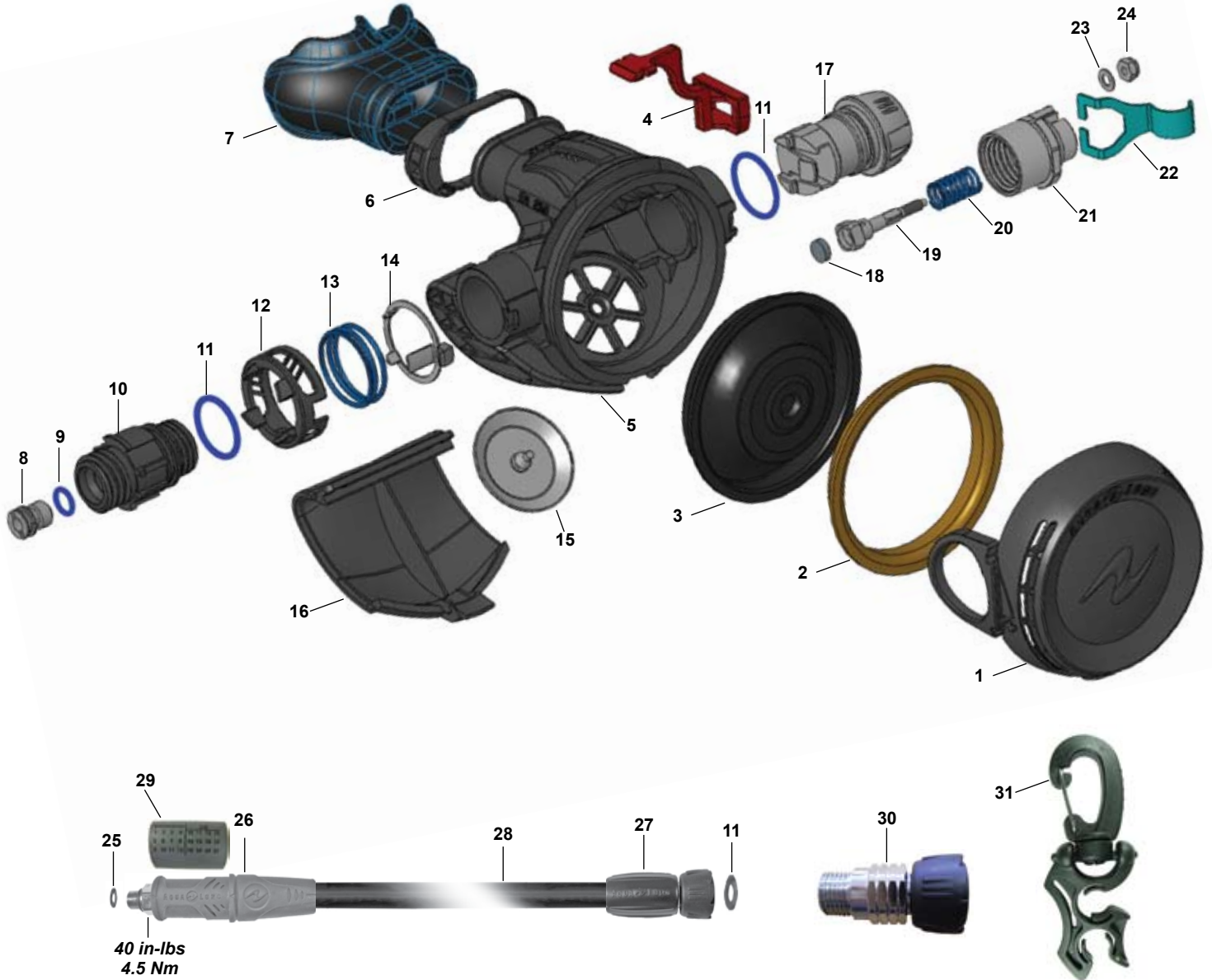
Mikron • Mikron Octopus 2008-Present



Key #	Part #	Description	Key #	Part #	Description
-----	127870	Mikron, Second Stage, Green	18 ----	127871	Purge Cover, Mikron, Black/Green
-----	127835A	Mikron, Second Stage, Blk/Pnk	----	127836	Purge Cover, Mikron, Black/Red
-----	900012	Overhaul Parts Kit	-----	127881	Purge Cover, Mikron, Black/Pink
1 ----	109438	Mouthpiece, Comfobite	-----	127838	Purge Cover, Mikron, Vanilla
-----	127826	Mouthpiece, Comfobite, Small	-----	127848	Purge Cover, Mikron, Yellow
-----	104138	Mouthpiece, Standard	19 ----	127843	Retaining Ring, Mikron
2 ----	129154	Mouthpiece Clamp	20 ----	127828	Lever
3 ----	127818	Insert Screw	21 ---- 820007P	O-ring (20 pk)	
4 ---- 820015P	O-ring (10 pk)		22 ----	127823	Adjustment Screw
5 ----	127842	Case, Mikron	23 ---- 820013P	O-ring (10 pk)	
6 ---- 820010P	O-ring (25 pk)		24 ----	127822	Cam, Mikron
7 ----	AP2033	Crown	25 ---- 820018P	O-ring (20 pk)	
8 ----	127817	Valve Body	26 ----	127819	Screw, Valve Body
9 ---- AP2034	MP Seat		27 ----	127821	Adjusting Knob
10 ----	AP2036	Shuttle Valve	28 ----	127877	Plug, Mikron, Silver
11 ---- AP2041P	O-ring (10 pk)		-----	127868	Plug, Mikron, Green
12 ----	AP2021	Spring	-----	127824	Plug, Mikron, Red
13 ----	127607	Counterbalance Chamber	-----	127833	Plug, Mikron, Vanilla
14 ----	127827	Baffle	-----	127846	Plug, Mikron, Yellow
15 ----	127816	Diaphragm	29 ----	127825	Exhaust Tee
16 ----	127815	Washer, Diaphragm	30 ----	129174	Exhaust Valve
17 ----	127814	Retainer, Diaphragm, Black	31 ---- 820011P	O-ring (25 pk)	
-----	127869	Retainer, Diaphragm, Green	32 ----	127859	Hose Protector, Black (for Braided hose)
-----	127832	Retainer, Diaphragm, Red	33 ----	129861	MP Hose, Aquaflex 3/8" x 30" Black w/Protector
			-----	129862	MP Hose, Aquaflex 3/8" x 39" Yellow w/Protector
			34 ----	128624	Service Date Sleeve

Part numbers in **BOLD ITALICS** indicate standard overhaul replacement part.

Titan • Titan Octopus • Calypso
2010-Present

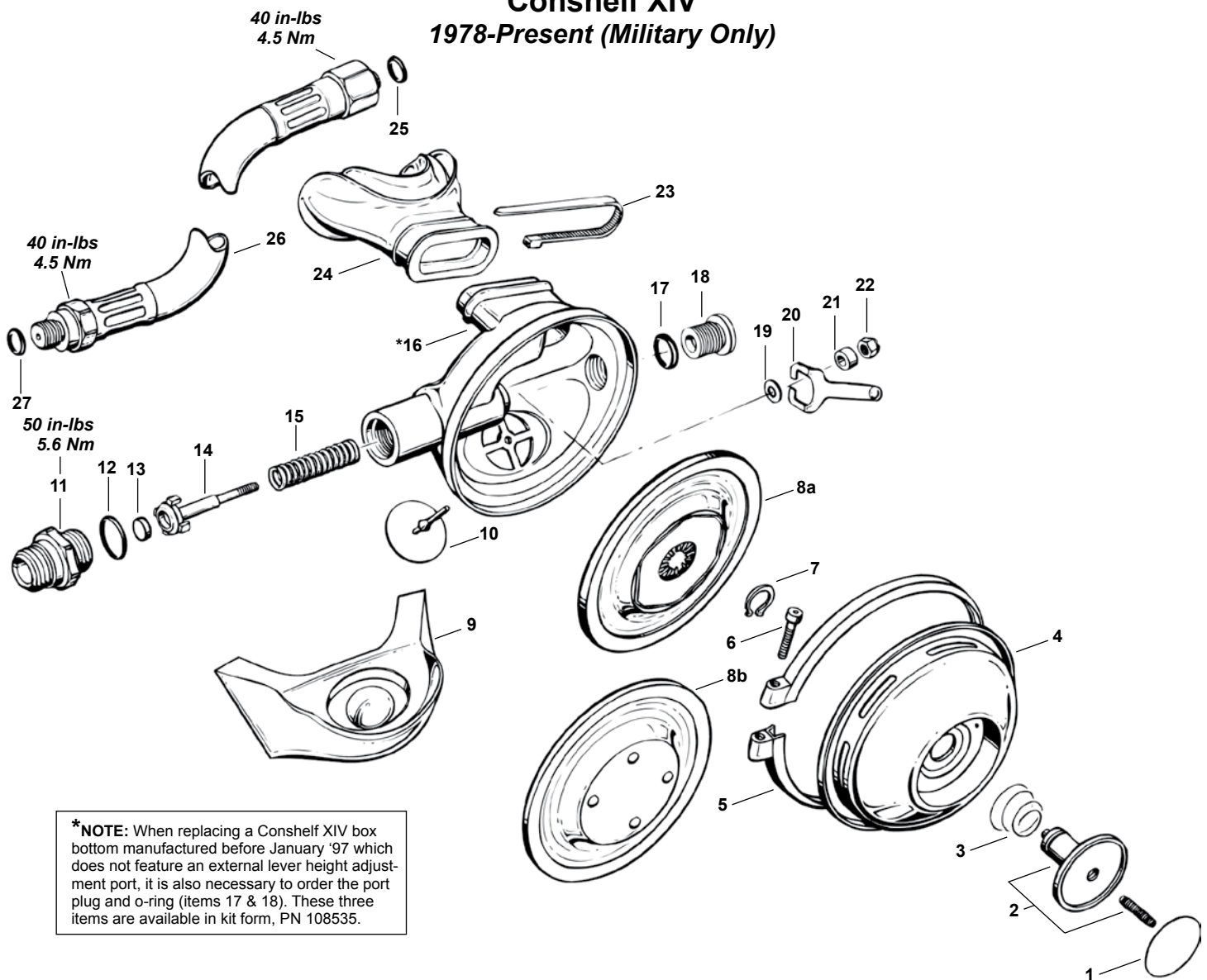


Key #	Part #	Description
----	128540	Second Stage, Titan
----	128550	Second Stage, Calypso
----	900010	Overhaul Parts Kit
1----	128615	Front Cover, Titan
----	128616	Front Cover, Calypso
----	128628	Front Cover, Calypso O2/Titan O2
----	128618	Front Cover, Octo
2----	124509	Diaphragm Washer
3----	128610	Diaphragm
4----	128612	Venturi
5----	128602	Case
6----	129154	Mouthpiece Clamp
7----	109438	Mouthpiece, ComfoBite
----	104138	Mouthpiece, Standard
8----	128621	Crown
9----	820010P	O-ring (25 pk)
10----	128604	Crown Holder
11----	820017P	O-ring (10 pk)
12----	128603	Hose Locker
13----	128605	Spring

Key #	Part #	Description
14----	128609	Ring Locker
15----	129174	Exhaust Valve
16----	128613	Exhaust Valve Cover
17----	128611	Venturi Knob
18----	106738	MP Seat
19----	104122	Poppet
20----	125737	Spring
21----	128606	Valve Insert, Reversible
22----	104108	Lever
23----	104129	Washer
24----	102510	Locknut
25----	820011P	O-ring (25 pk)
26----	124570	Hose Protector, Blk
----	124573	Hose Protector, Yellow
27----	129160	Hose Sleeve
28----	128619	MP Hose, Quick Connect, 3/8" x 30"
----	128620	MP Hose, Quick Connect, 3/8" x 39"
29----	128624	Service Date Sleeve
30----	128595	Swivel Hose Adapter
31----	216047	Hose Holder

Part numbers in **BOLD ITALICS** indicate standard overhaul replacement part.

Conshelf XIV 1978-Present (Military Only)



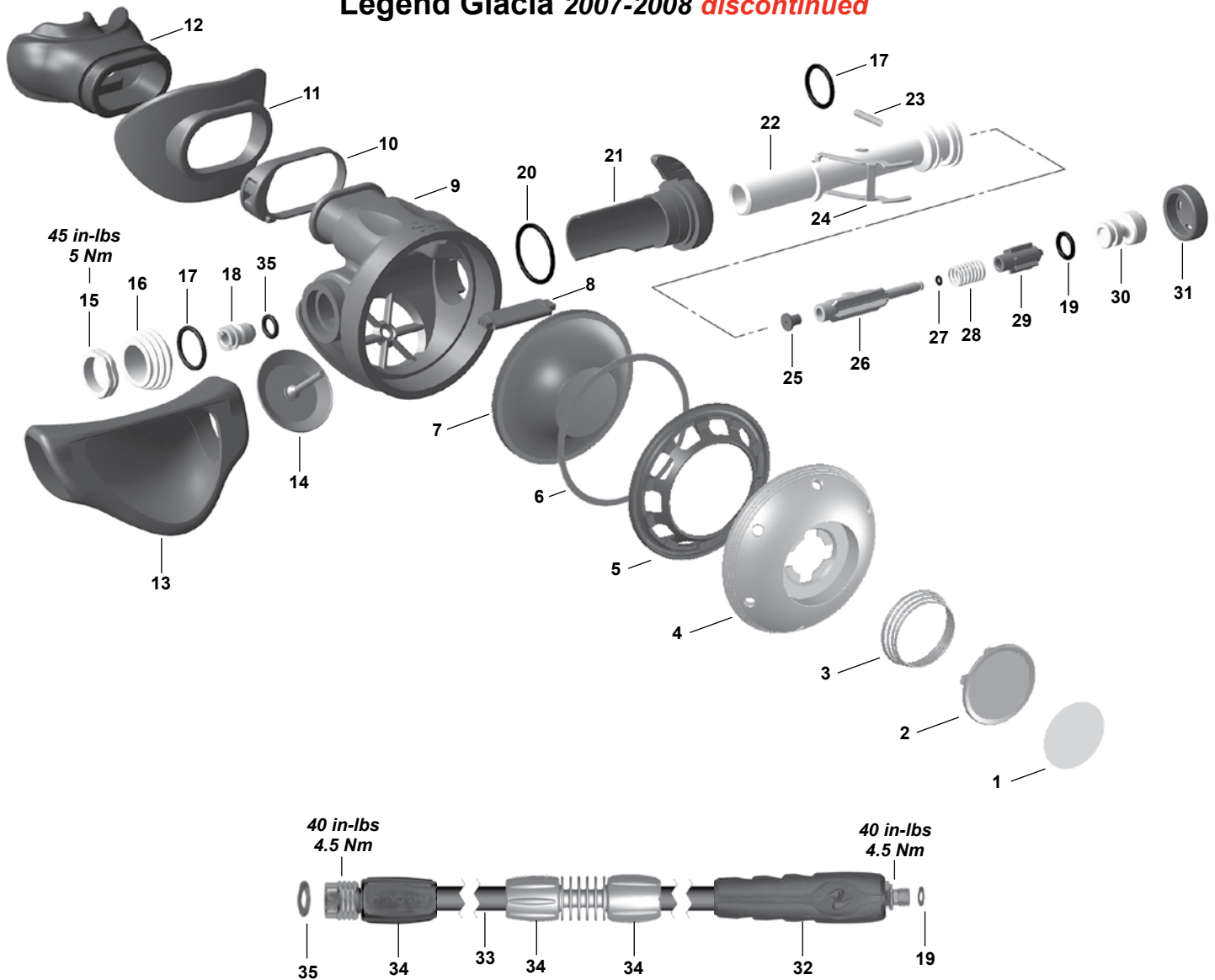
***NOTE:** When replacing a Conshelf XIV box bottom manufactured before January '97 which does not feature an external lever height adjustment port, it is also necessary to order the port plug and o-ring (items 17 & 18). These three items are available in kit form, PN 108535.

Key #	Part #	Description
----	108530	Conshelf XIV Second Stage
----	108538	Conshelf XIV Supreme Second Stage
----	900013	Overhaul Parts Kit
1 ----	108185	Decal, Conshelf XIV
2 ----	103706	Purge Button w/ Adjustment Screw
3 ----	102708	Purge Spring
4 ----	107001	Box Top
5 ----	390147	Box Top Clamp
6 ----	834023	Clamp Screw
7 ----	860037	Retaining Ring
8a ----	100571	Demand Diaphragm, Liquid Injection Molded
8b ----	103732	Demand Diaphragm (U.S. Military Only)
9 ----	101919	Exhaust Tee
10 ----	105139	Exhaust Valve
11 ----	100444	Inlet Fitting
12 ----	820014P	O-ring (25 pk)
13 ----	108510	MP Seat
14 ----	104903	Poppet

Key #	Part #	Description
15 ----	108504	Spring (Standard)
----	108514	Spring (Octopus)
16 ----	108122	Box Bottom
----	108535	Box Bottom Kit (includes 16, 17 & 18)
17 ----	957025P	O-ring (10 pk)
18 ----	102004	Plug
19 ----	107607	Washer
20 ----	107605	Lever
21 ----	107606	Spacer
22 ----	102510	Locknut
23 ----	104940	Clamp, Clear
----	104913	Clamp, Black
24 ----	105884	Comfo Bite Mouthpiece, Clear
----	105885	Comfo Bite Mouthpiece, Black
----	105879	Standard Mouthpiece, Black
25 ----	820010P	O-ring (25 pk)
26 ----	090015	MP Hose Assy, 3/8" x 30"
27 ----	820011P	O-ring (25 pk)

Part numbers in **BOLD ITALICS** indicate standard overhaul replacement part.

Glacia Octopus 2007-Present
Legend Glacia 2007-2008 *discontinued*

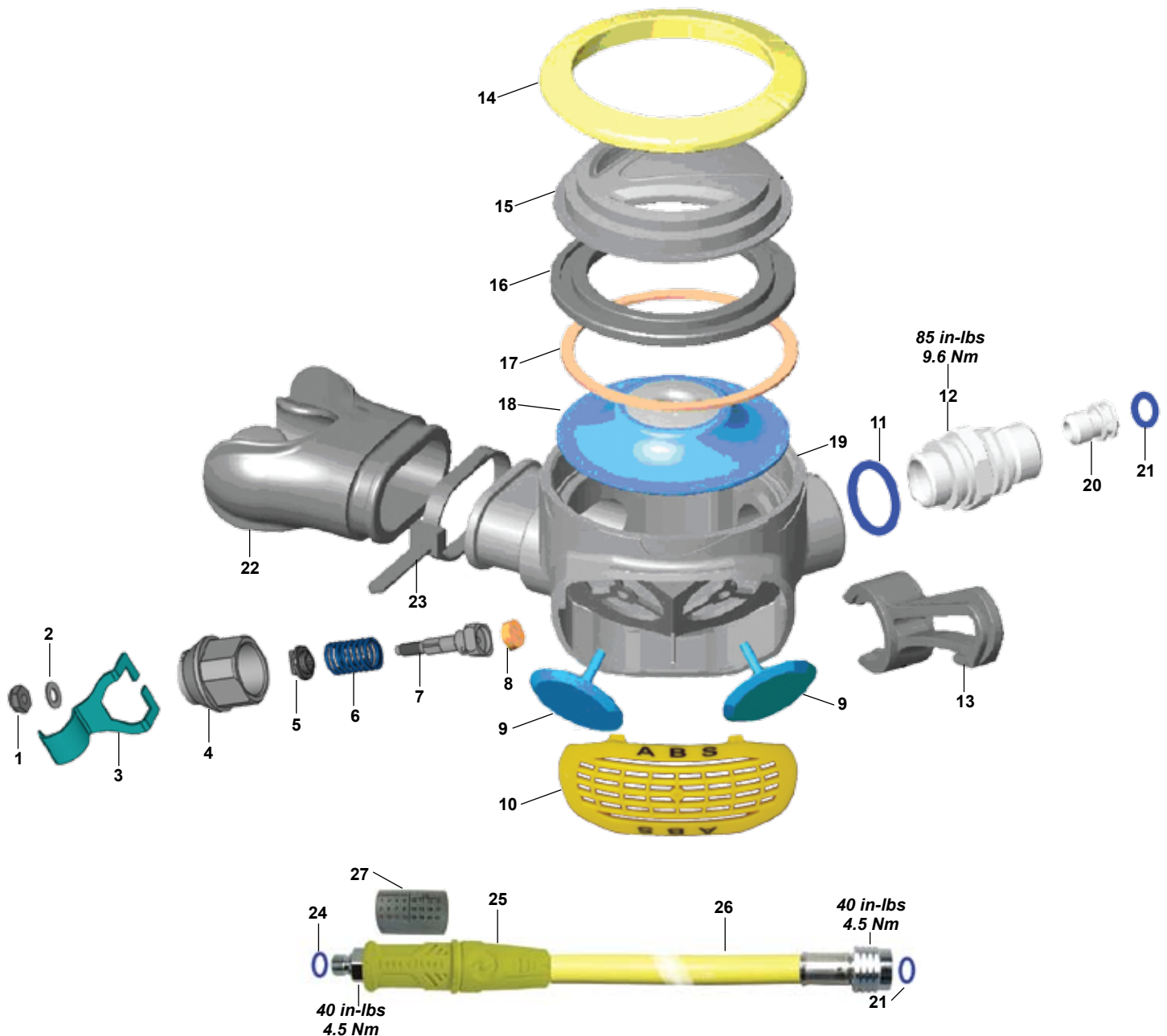


Key #	Part #	Description
-----	900012	Overhaul Parts Kit
1----	129344	Decal, Purge Button, Glacia
-----	129354	Decal, Purge Button, Glacia Octo
2----	AP5805	Purge Button
3----	AP2020	Spring
4----	129351	Purge Cover
5----	129195	Diaphragm Retainer
6----	129133	Thrust Washer
7----	129150	Diaphragm
8----	129184	Baffle
9----	129188	Box Bottom
10----	129154	Mouthpiece Clamp
11----	109512	Lip Shield
12----	109438	Mouthpiece, ComfoBite
-----	104138	Mouthpiece, Standard
13----	104102	Exhaust Tee
14----	129174	Exhaust Valve
15----	AP2031	Retaining Nut
16----	129148	Heat Exchanger
17----	820015P	O-ring (10 pk)

Key #	Part #	Description
18----	AP2033	Crown
19----	820011P	O-ring (25 pk)
20----	AP1438P	O-ring (10 pk)
21----	129139	Venturi Lever, Black
22----	129146	Valve Body
23----	AP1151	Pin
24----	129178	Lever
25----	AP2034	MP Seat
26----	AP2036	Shuttle Valve
27----	AP2041P	O-ring (10 pk)
28----	AP2021	Spring
29----	AP2038	Counterbalance Chamber
30----	129162	Adjustment Screw
31----	129161	Plug
32----	124570	Hose Protector, Black
-----	124573	Hose Protector, Yellow
33----	129343	MP Hose w/Heat X, 3/8x30
-----	129352	MP Hose w/Heat X, Yellow 3/8x36
34----	129160	Hose Sleeve
35----	820010P	O-ring (25 pk)

Part numbers in **BOLD ITALICS** indicate standard overhaul replacement part.

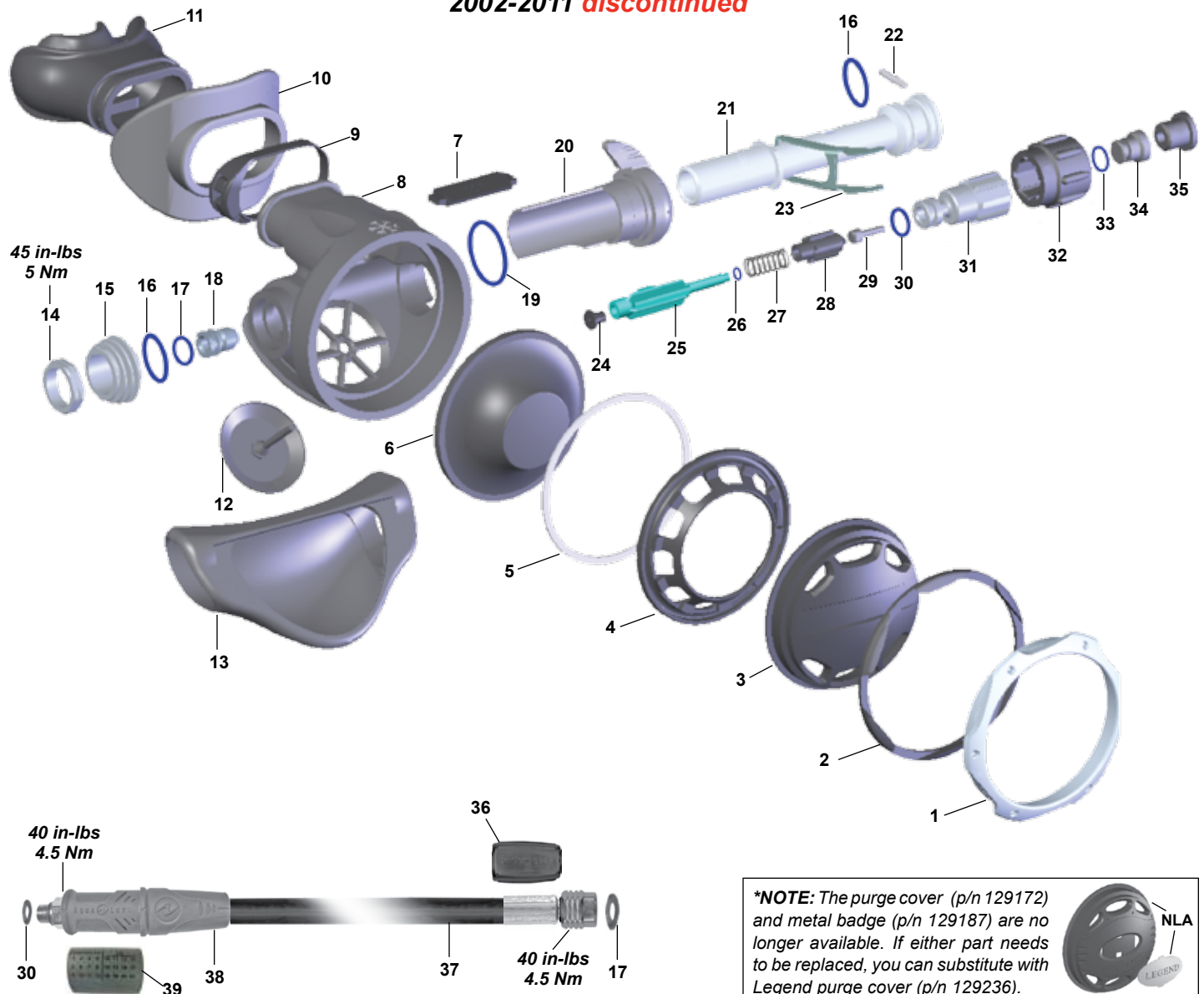
ABS Octopus 2004-Present



Key #	Part #	Description	Key #	Part #	Description
	900010	Overhaul Parts Kit	14	116922	Cover Ring
1	102510	Locknut	15	116929	Purge Cover
2	104129	Washer	16	116923	Diaphragm Retainer
3	116928	Lever	17	107818	Diaphragm Washer
4	116926	Valve Body	18	116930	Diaphragm
5	104134	Poppet Bearing	19	116927	Box Bottom
6	104127	Spring	20	100128	Crown Orifice
7	104122	Poppet	21	820010P	O-ring (25 pk)
8	106738	MP Seat	22	104138	Mouthpiece, Octopus
9	100122	Exhaust Valves	23	104913	Clamp
10	116925	Exhaust Grid	24	820011P	O-ring (25 pk)
11	820015P	O-ring (10 pk)	25	124573	Hose Protector, Yellow
12	104106	Inlet Fitting	26	APF124566	MP Hose, Octopus, Yellow, 3/8" x39" w/Protector
13	100924	Hose Retaining Clip	27	128624	Service Date Sleeve

Part numbers in **BOLD ITALICS** indicate standard overhaul replacement part.

Legend LX • Legend LX Supreme 2002-2011 *discontinued*



***NOTE:** The purge cover (p/n 129172) and metal badge (p/n 129187) are no longer available. If either part needs to be replaced, you can substitute with Legend purge cover (p/n 129236).

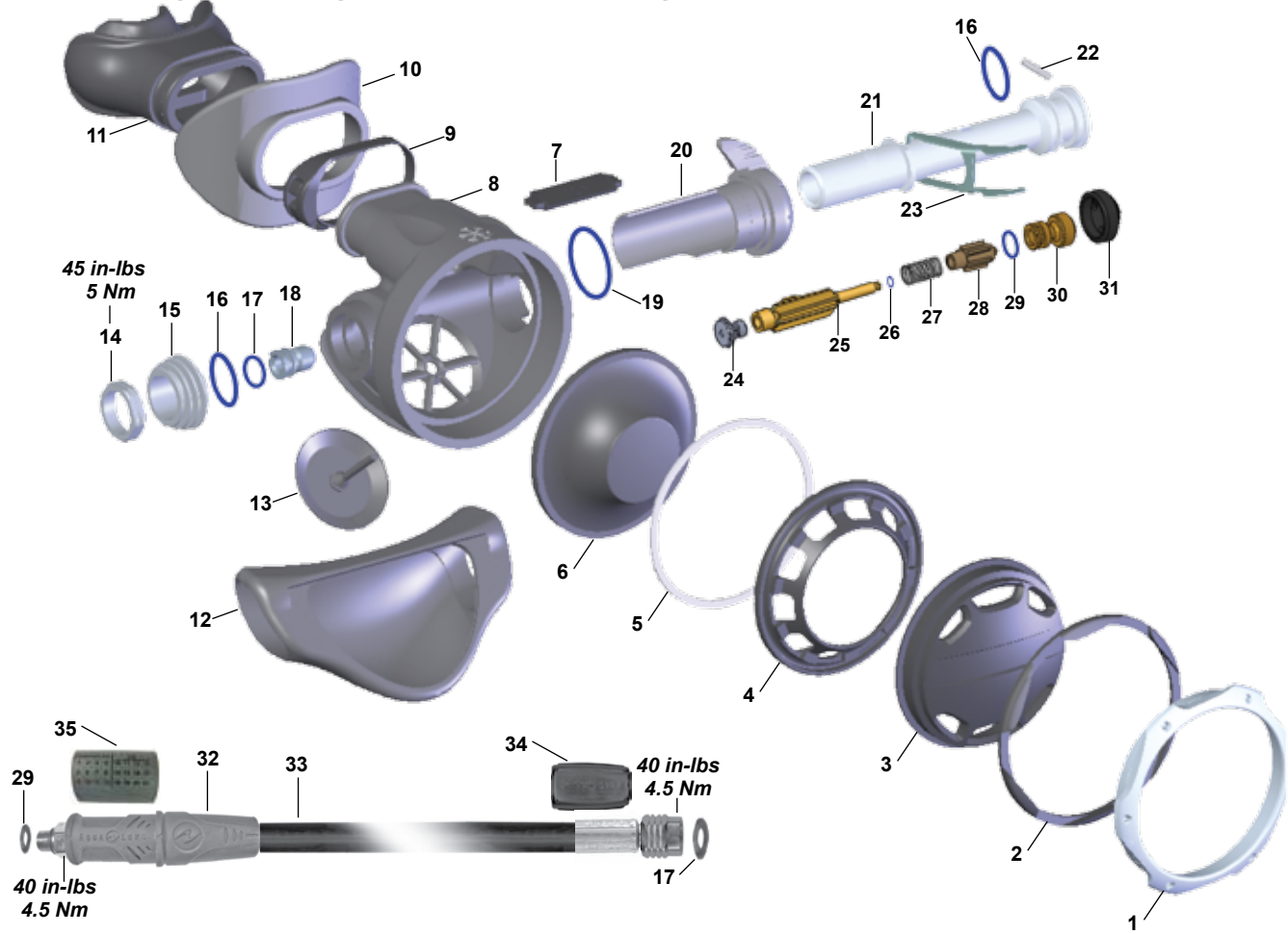


Key #	Part #	Description
----	900012	Overhaul Parts Kit
1----	129171	Retaining Ring, Silver
2----	129173	Mating Ring, Rubber
3----	129236	Purge Cover, Legend, Black
4----	129195	Diaphragm Retainer
5----	129133	Thrust Washer
6----	129150	Diaphragm
7----	129184	Baffle
8----	129164	Case, LX
----	129188	Case, LX Supreme
9----	129154	Mouthpiece Clamp
10----	109512	Lip Shield, Supreme Model
11----	109438	Mouthpiece, ComfoBite
----	104138	Mouthpiece, Standard
12----	129174	Exhaust Valve
13----	104102	Exhaust Cover
14----	AP2031	Retaining Nut
15----	129148	Heat Exchanger
16----	820015P	O-ring (10 pk)
17----	820010P	O-ring (25 pk)
18----	AP2033	Crown


Key #	Part #	Description
19----	AP1438P	O-ring (10 pk)
20----	129138	Venturi Lever
21----	129146	Valve Body
22----	AP1151	Pin
23----	129178	Lever
24----	AP2034	MP Seat
25----	AP2036	Shuttle Valve
26----	AP2041P	O-ring (10 pk)
27----	AP2021	Spring
28----	AP2038	Counterbalance Chamber
29----	129129	Adjustment Pin
30----	820011P	O-ring (25 pk)
31----	129147	Adjustment Knob
32----	129130	Grip
33----	820009P	O-ring (10 pk)
34----	129135	Adjusting Screw
35----	129142	Plug
36----	129160	Hose Sleeve
37----	APF124563	MP Hose, 3/8" x 30", w/Protector
38----	124570	Hose Protector, Black
39----	128624	Service Date Sleeve

Part numbers in **BOLD ITALICS** indicate standard overhaul replacement part.

Titan LX • Titan LX Supreme • Titan LX Octo 2001-2008 *discontinued*
Legend • Legend Supreme • Legend Octopus 2002-2011 *discontinued*




***NOTE:** The diaphragm retainer and purge cover for the pre-2009 Titan LX 2nd stage are no longer available. If the diaphragm retainer and/or purge cover become damaged or lost, you will need to replace both parts with the new Titan LX purge cover (p/n 128103) and diaphragm retainer (p/n 129195). **“DO NOT”** use the old diaphragm retainer with the new purge cover. The old/new purge cover retaining ring can be used with either purge cover.



Old Revision

***NOTE:** The purge cover (p/n 129172) and metal badge (p/n 129187) are no longer available. If either part needs to be replaced, you can substitute with Legend purge cover (p/n 129236).

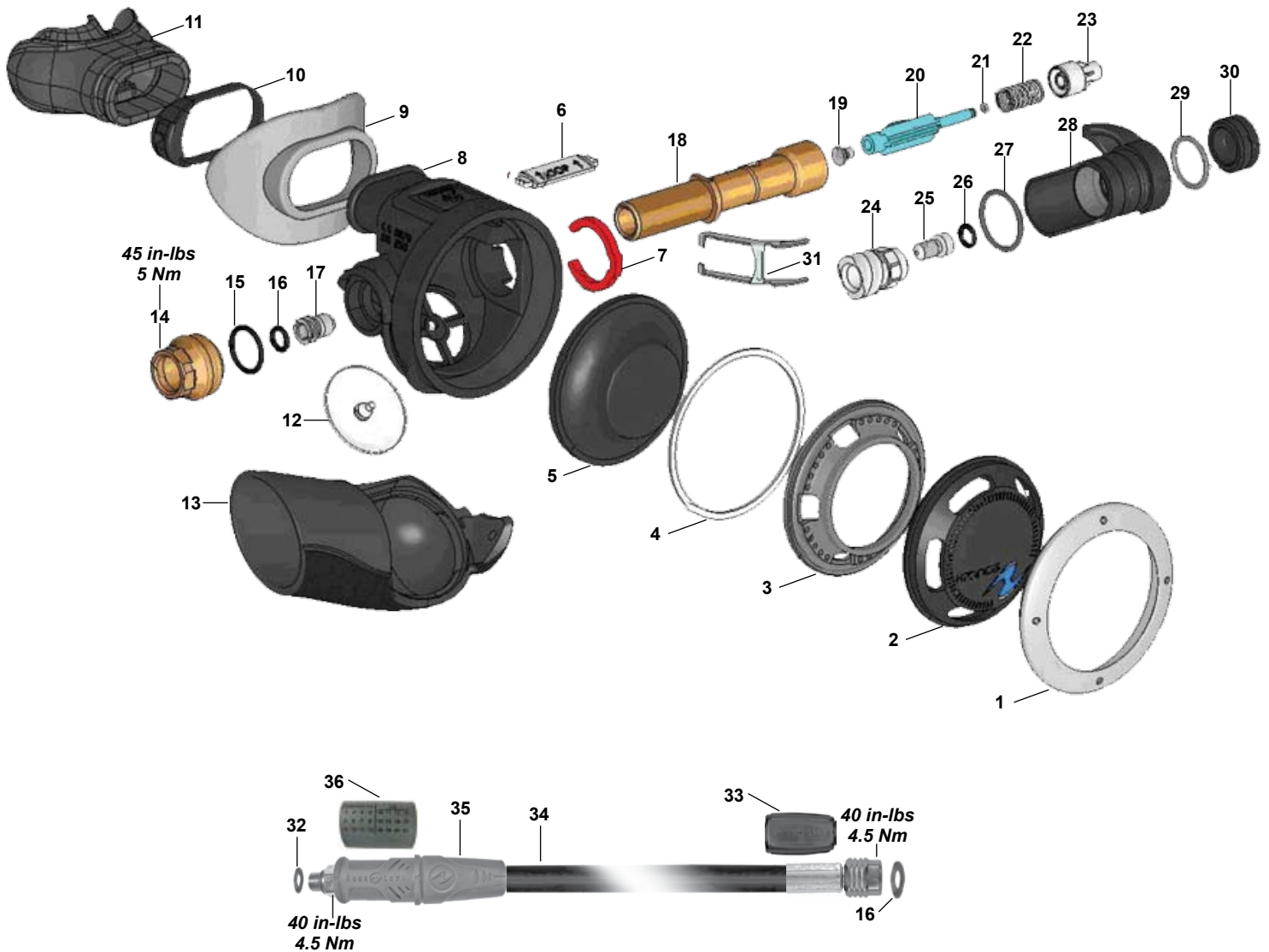


Old Revision

Key #	Part #	Description	Key #	Part #	Description
-----	900012	Overhaul Parts Kit	17	820010P	O-ring (25 pk)
1	129171	Retaining Ring, Silver (Legend)	18	AP2033	Crown
2	129173	Mating Ring, Rubber (Legend)	19	AP1438P	O-ring (10 pk)
3	129236	Purge Cover, Black (Legend)	20	129139	Venturi Lever, Black
-----	129237	Purge Cover, Yellow (Legend Octo)	21	129146	Valve Body
4	129195	Diaphragm Retainer, Black	22	AP1151	Pin
5	129133	Thrust Washer	23	129178	Lever
6	129150	Diaphragm	24	AP2034	MP Seat
7	129184	Baffle	25	AP2036	Shuttle Valve
8	129164	Case, Legend, Titan LX, Octopus	26	AP2041P	O-ring (10 pk)
-----	129188	Case, Supreme,	27	AP2021	Spring
9	129154	Mouthpiece Clamp	28	AP2038	Counterbalance Chamber
10	109512	Lip Shield, Supreme Model	29	820011P	O-ring (25 pk)
11	109438	Mouthpiece, ComfoBite	30	129162	Adjustment Screw
-----	104138	Mouthpiece, Standard	31	129161	Plug
12	104102	Exhaust Cover	32	124570	Hose Protector, Black
13	129174	Exhaust Valve	-----	124573	Hose Protector, Yellow
14	AP2031	Retaining Nut	33	APF124563	MP Hose, 3/8" x 30", w/Protector
15	129148	Heat Exchanger	-----	APF124566	MP Hose, 3/8" x 39", Yellow, w/ Protector
16	820015P	O-ring (10 pk)	34	129160	Hose Sleeve
			35	128624	Service Date Sleeve

Part numbers in **BOLD ITALICS** indicate standard overhaul replacement part.

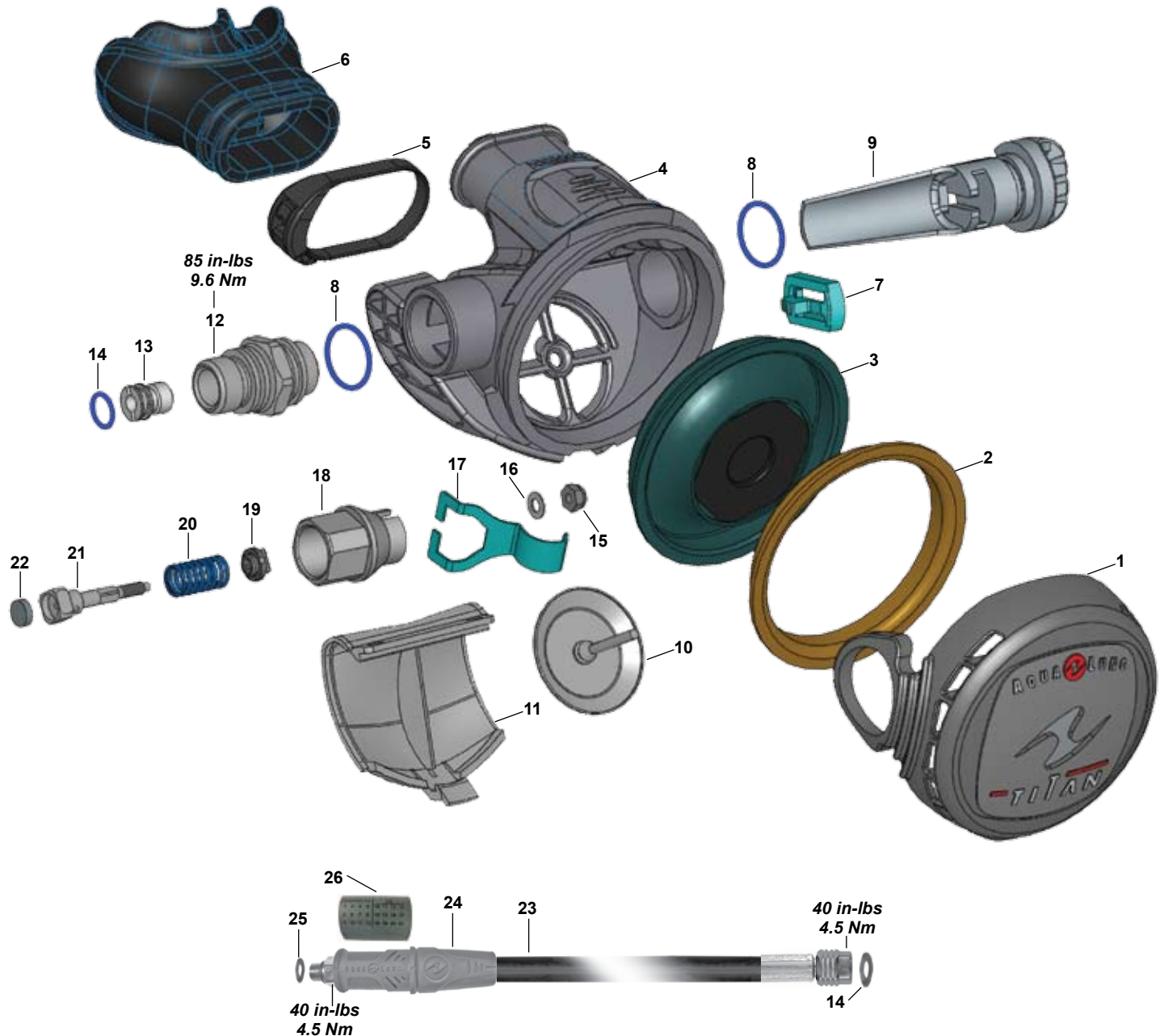
Kronos • Kronos Supreme • Kronos Octopus
 2007-2011 *discontinued*



Key #	Part #	Description	Key #	Part #	Description
-----	900012	Overhaul Parts Kit	16 ----	820010P	O-ring (25 pk)
1	127602	Retaining Ring, Kronos	17	AP2033	Crown
-----	127621	Retaining Ring, Kronos Octo	18	127605	Valve Body
2	127614	Purge Cover, Kronos	19 ----	AP2034	MP Seat
-----	127615	Purge Cover, Kronos Supreme	20	AP2036	Shuttle Valve
-----	127616	Purge Cover, Kronos Octo	21 ----	AP2041P	O-ring (10 pk)
3	127625	Diaphragm Retainer	22	AP2021	Spring
4	129133	Washer	23	127607	Counterbalance Chamber
5	129150	Diaphragm	24	127609	Cam
6	129184	Baffle	25	127608	Adjusting Screw
7	127612	Clip	26 ----	820009P	O-ring (10 pk)
8	127618	Case, Kronos Supreme	27 ----	820018P	O-ring (20 pk)
-----	N/A	Case, Kronos	28	127626	Venturi Lever
9	109512	Lip Shield, Supreme Model	29 ----	820016P	O-ring (10 pk)
10	129154	Mouthpiece Clamp	30	127624	Plug
11	109438	Mouthpiece, ComfoBite	31	129178	Lever
-----	104138	Mouthpiece, Standard	32 ----	820011P	O-ring (25 pk)
12	129174	Exhaust Valve	33	129160	Hose Sleeve
13	127622	Exhaust Tee, Kronos	34	APF124563	MP Hose 3/8" x 30", w/ Protector
14	127606	Heat Exchanger	-----	APF124566	MP Hose 3/8" x 39", yel, w/ Protector
15	820015P	O-ring (10 pk)	35	124570	Hose Protector, Black
			-----	124573	Hose Protector, Yellow
			36	128624	Service Date Sleeve

Part numbers in **BOLD ITALICS** indicate standard overhaul replacement part.

Titan • Calypso • Calypso O2 • Octopus
 2004-2009 *discontinued*

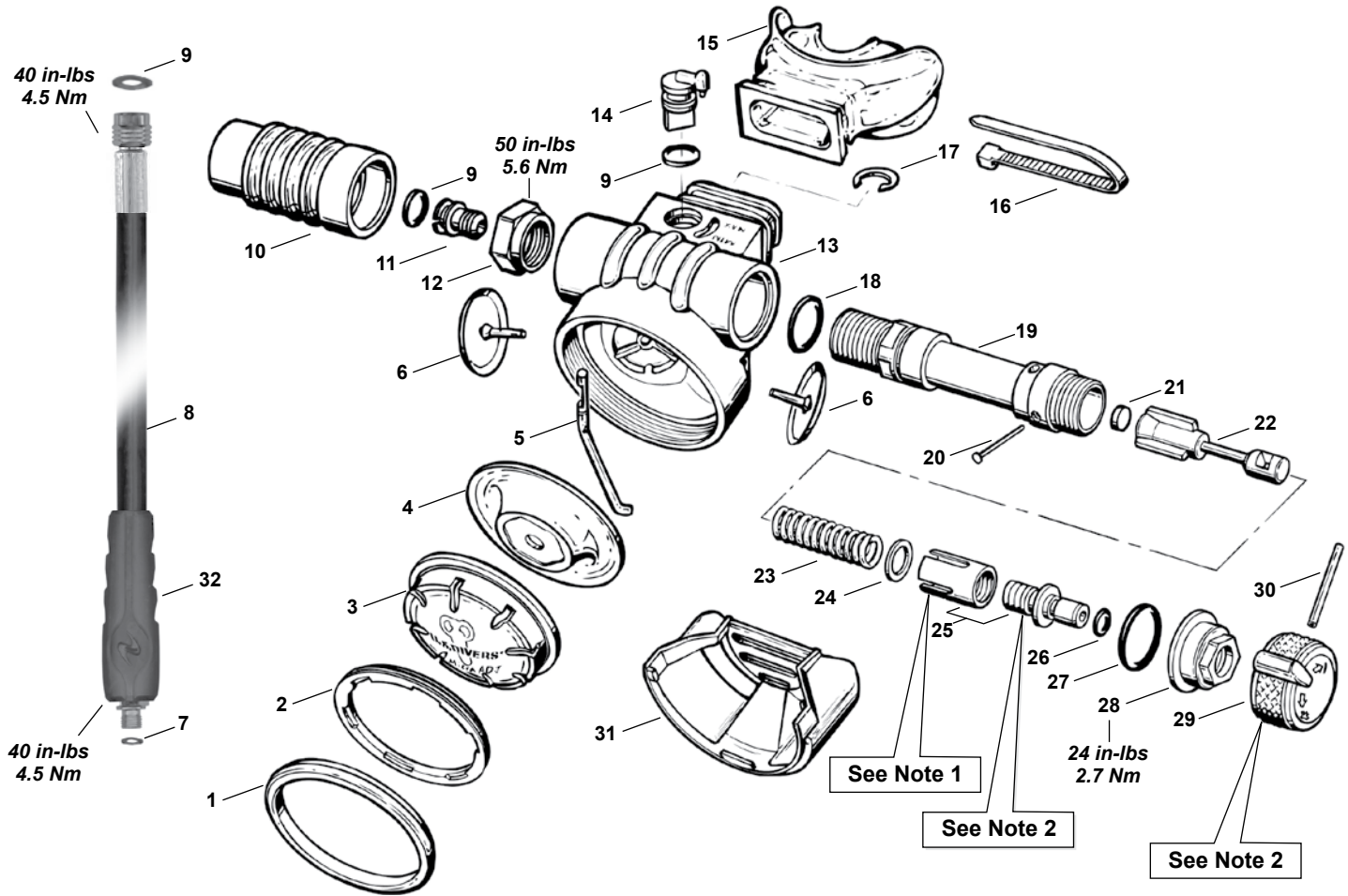


Key #	Part #	Description	Key #	Part #	Description
-----	900010	Overhaul Parts Kit	12 ----	104106	Inlet Fitting
1 ----	125732	Front Cover, Titan	13 ----	100128	Crown Orifice
-----	125719	Front Cover, Calypso	14 ----	820010P	O-ring (25 pk)
-----	125734	Front Cover, Calypso, Green, O2	15 ----	102510	Locknut
-----	125724	Front Cover, Octopus	16 ----	104129	Washer
2 ----	124509	Diaphragm Washer	17 ----	125708	Lever
3 ----	125705	Diaphragm	18 ----	125709	Valve Insert
4 ----	125721	Box Bottom	19 ----	104134	Poppet Bearing
5 ----	129154	Mouthpiece Clamp	20 ----	104127	Spring
6 ----	109438	Mouthpiece, Comfobite	21 ----	104122	Poppet
-----	104138	Mouthpiece, Octopus	22 ----	106738	MP Seat
7 ----	125707	Retaining Clip, Venturi Switch	23 ----	APF124563	MP Hose, Black, 3/8" x 30", w/ Protector
8 ----	820015P	O-ring (10 pk)	-----	APF124566	MP Hose, Octo, Yellow, 3/8" x 39", w/ Protector-
9 ----	125706	Venturi Switch	24 ----	124570	Hose Protector, Black
10 ----	129174	Exhaust Valve	-----	124573	Hose Protector, Yellow
11 ----	125702	Exhaust Valve Cover	25 ----	820011P	O-ring (25 pk)
			26 ----	128624	Service Date Sleeve

Part numbers in **BOLD ITALICS** are included in service kit

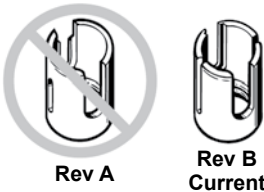
Micra ADJ

1997-2007 *discontinued*



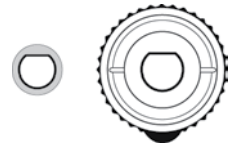
NOTE 1:

The Lever Retaining Sleeve (Key #25) was revised in 1997. Be sure to correctly identify the part before reinstalling, and replace with new if found to be a Revision A part. (Refer to Technical Bulletin No. 10, dated August 15, 1997.)



NOTE 2:

The Adjustment Screw (Key #25) and Knob (Key #29) have undergone a change revision, and are now keyed for easier alignment. It will be necessary to order both parts when replacing one which is not the current revision.



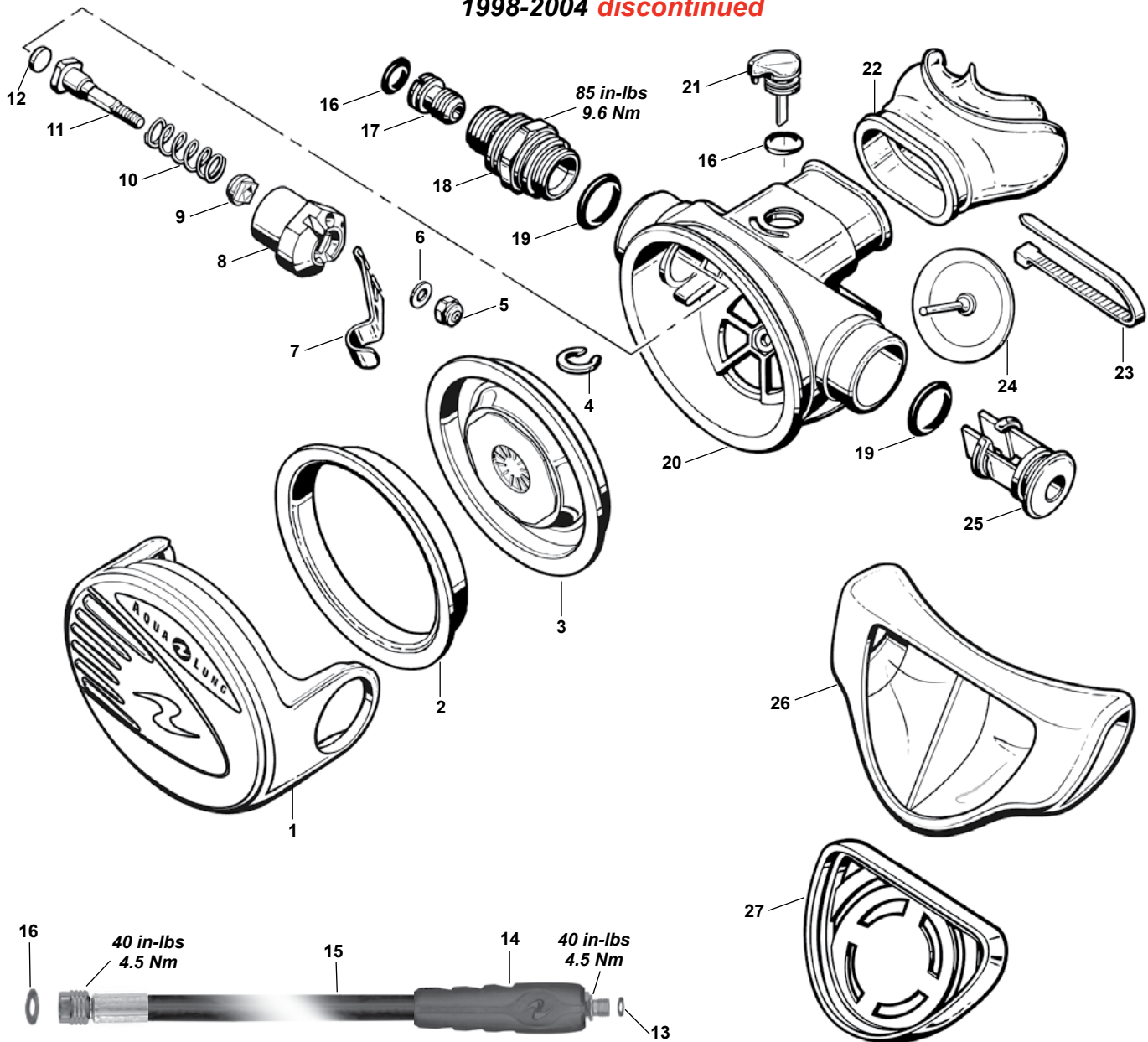
Key #	Part #	Description
	----- 900003	Overhaul Parts Kit
1	100862	Color Ring - Silver
2	100119	Retaining Ring
3	100849	Purge Cover
4	100181	Demand Diaphragm
5	100856	Lever
6	100122	Exhaust Valve Diaphragm
7	----- 957025P	O-ring, 1/2" Hose (10 pk)
	----- 820011P	O-ring, 3/8" Hose (25 pk)
8	APF124565	MP Hose Assy, 1/2" x 30", w/Protector
	APF124563	MP Hose Assy, 3/8" x 30", w/Protector
	APF124566	MP Hose, Octo, Yellow, 3/8" x 39", w/Protector
9	----- 820010P	O-ring (25 pk)
10	100103	Hose Protector, Black
11	100128	Adjustable Crown
12	100136	Hex Nut, 3/4"
13	100143	Box Bottom
14	100108	Vane Adjustment Switch

Key #	Part #	Description
15	105838	Mouthpiece, Comfo Snap-on, Standard
	105848	Mouthpiece, Comfo Snap-on, Small
	105831	Mouthpiece, Snap-on, Octopus
16	----- 104913	Clamp, Black
17	860137	C-Clip
18	----- 820314	O-ring
19	100845	Valve Body
20	100132	Pin
21	----- 108510	MP Seat
22	100843	Poppet
23	108515	Spring
24	100853	Washer
25	100888	Lever Retaining Sleeve & Adjustment Screw
26	----- 820008	O-ring
27	----- 820016P	O-ring (10 pk)
28	100841	Cap Nut
29	100872	Adjustment Knob
30	100854	Pin
31	100109	Exhaust Cover, Original
	100110	Exhaust Cover, Swept Back
32	124570	Hose Protector, Black
	124573	Hose Protector, Yellow

Part numbers in **BOLD ITALICS** indicate standard overhaul replacement part.

Titan • Cousteau • Calypso • Partner • Octopus

1998-2004 *discontinued*



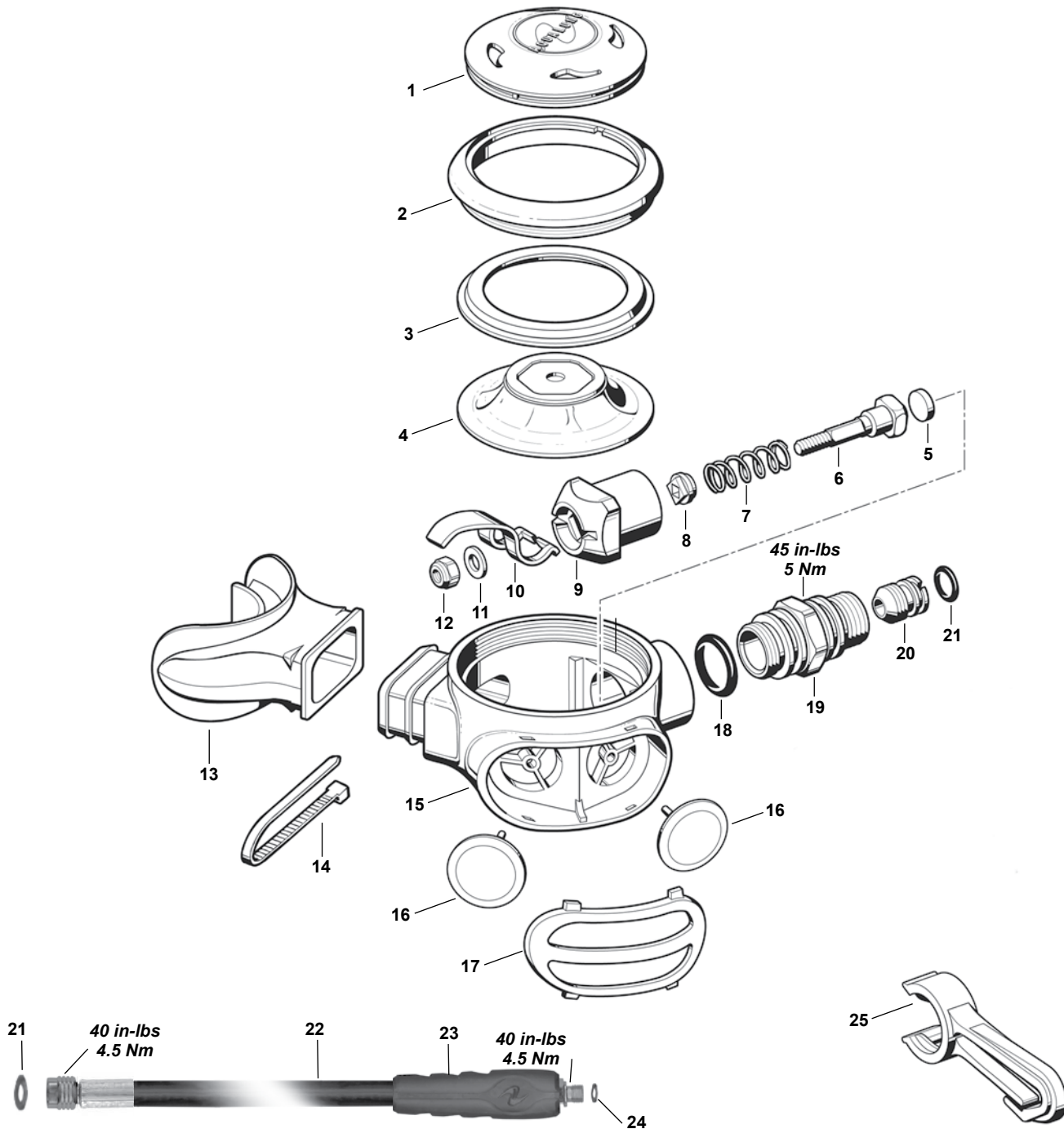
Key #	Part #	Description
-----	900010	Overhaul Parts Kit
1----	124576	Front Cover, Calypso
-----	124578	Front Cover, Titan
-----	124577	Front Cover, Octopus/Partner
2----	124509	Sealing Ring
3----	104123	Diaphragm
4----	860137	Circlip
5----	102510	Locknut
6----	104129	Washer
7----	104108	Lever
8----	104132	Valve Insert (Right Hand)
-----	104131	Valve Insert (Left Hand)
9----	104134	Poppet Bearing
10----	104127	Spring
11----	104122	Poppet
12----	106738	MP Seat
13----	957025P	O-ring, Cousteau (10 pk)
-----	820011P	O-ring, Titan/Calypso/Octopus (25 pk)

Key #	Part #	Description
14----	124570	Hose Protector, Black
-----	124573	Hose Protector, Yellow
15----	APF124565	MP Hose, Cousteau, 1/2" x 30", w/Protector
-----	APF124563	MP Hose, Titan/Calypso, 3/8" x 30", w/Protector
-----	APF124566	MP Hose, Octo, Yellow, 3/8" x 39", w/Protector
16----	820010P	O-ring (25 pk)
17----	100128	Crown
18----	104106	Inlet Fitting
19----	820015P	O-ring (10 pk)
20----	104101	Box Bottom
21----	104113	Vane Adjustment Switch
22----	109438	Mouthpiece, Comfo Bite™
-----	104138	Mouthpiece, Octopus
23----	104913	Clamp
24----	107822	Exhaust Diaphragm
25----	104112	End Plug
26----	104102	Exhaust Tee
27----	NLA	Exhaust Cover, Yellow, Octopus

Part numbers in **BOLD ITALICS** indicate standard overhaul replacement part.

LPO (Low Profile Octopus)

2001-2003 *discontinued*



Key #	Part #	Description
-----	900010	Overhaul Parts Kit
1----	100904	Purge Cover
2----	100906	Color Ring
3----	100909	Retaining Ring
4----	100181	Diaphragm
5----	106738	MP Seat
6----	104122	Poppet
7----	104127	Spring
8----	104134	Poppet Bearing
9----	100945	Valve Body
10----	100923	Lever
11----	104129	Washer

Key #	Part #	Description
12----	102510	Locknut
13----	105831	Mouthpiece
14----	104913	Clamp
15----	100903	Box Bottom
16----	100922	Exhaust Valve Diaphragm
17----	100907	Exhaust Cover
18----	820015P	O-ring (10 pk)
19----	104106	Inlet Fitting
20----	100128	Adjustable Crown
21----	820010P	O-ring (25 pk)
22----	APF124566	MP Hose, Octo, Yellow 3/8" x 39" w/ Protector
23----	124573	Hose Protector, Yellow
24----	820011P	O-ring (25 pk)
25----	100924	Hose Retaining Clip

Part numbers in **BOLD ITALICS** indicate standard overhaul replacement part.

Aqua Lung Common Spares

Regulator Accessories

Part #	Description
102085	--- Adapter, HP, 3/8" Female to 7/16" Male
101785	--- Adapter, HP, 7/16" Female to 3/8" Male
128624	--- Service Date Sleeve
124570	--- Hose Protector, Aqua Lung, Std Hose, Black
124573	--- Hose Protector, Aqua Lung, Std Hose, Yellow
127859	--- Hose Protector, Aqua Lung, Braided Hose, Black

Replacement Silicone Mouthpieces

Part #	Description
109438	--- Comfo-bite, Black, XLC/Glacia/Titan LX/Legend/Kronos,Mikron
127826	--- Comfo-bite, Black, Small, Mikron
104138	--- Black w/Bite Tabs, XLC/Glacia/Octo/Titan/Legend/Kronos/Mikron
105838	--- Comfo-bite, Clear, Micra Series
105848	--- Comfo-bite, Clear, Size SM, Micra/Conshelf 22/ SEA4/SE3
105831	--- Black w/Bite Tabs, LPO/Micra Series
105884	--- Comfo-bite, White, Conshelf XIV
105885	--- Comfo-bite, Black, Conshelf XIV
105879	--- Black w/Bite Tabs, Conshelf XIV
109512	--- Lip Shield

Regulator MP Hoses Aqua Lung

Part #	Description
129679	--- Hose, MP,Braided, 3/8 x 29 Black, w/2Protectors (2012 Legend)
129681	--- Hose, MP,Braided, 3/8 x 39 Yellow, w/2Protectors (2012 Leg Octo)
APF124563	--- Hose, MP, Primary, 3/8 x 30 w/Protector
APF124565	--- Hose, MP, Primary, 1/2 x 30 w/Protector
APF124566	--- Hose, MP, Octopus, 3/8 x 39 w/Protector, Yellow
129343	--- Hose, MP, w/Heat x,3/8 x 30 Blk (Glacia)
129352	--- Hose, MP, w/Heat x, 3/8 x 36, Yellow Glacia)
125932	--- Hose, MP, Mistral 630mm
125934	--- Hose, MP, Mistral 245mm
129861	--- Hose, MP, Aquaflex, Braided, 3/8 x 30 Black (Mikron)
129862	--- Hose, MP, Aquaflex, Braided, 3/8 x 39 Yellow (Mikron)
128619	--- Hose, MP, w/QD, 3/8 x 30 Black (Titan/Calypso)
128620	--- Hose, MP, w/QD, 3/8 x 39 Yellow (Titan/Calypso)
090015	---Hose, MP, Primary, 3/8 x 30
090025	---Hose, MP, Octopus, 3/8 x 39

Air Source Hi-Flow MP Inflator Hoses

Part #	Description
15243	--- 3/8 x 27, Airsource 2/3, Braided w/quick disconnect
25455	--- 3/8 x 27, Airsource 2/3 w/quick disconnect
15191	--- 3/8 x 25, Airsource 3 w/shut-off valve
42639	--- O-ring kit, Air Source Quick Disconnect

HP Hose

Part #	Description
--------	-------------

102023 --- Hose, HP, 7/16 x 38 Suunto

BC MP Inflator Hoses

Part #	Description
45822	---- MP Braided Hose, 3/8 x 22" Black
45825	---- MP Braided Hose, 3/8 x 25" Black
45827	---- MP Braided Hose, 3/8 x 27" Black
45833	---- MP Braided Hose, 3/8 x 33" Black
45836	---- MP Braided Hose, 3/8 x 36" Black
45840	---- MP Braided Hose, 3/8 x 40" Black
44822	---- MP Standard Hose, 3/8 x 22" Black
44825	---- MP Standard Hose, 3/8 x 25" Black
44827	---- MP Standard Hose, 3/8 x 27" Black
44833	---- MP Standard Hose, 3/8 x 33" Black
44836	---- MP Standard Hose, 3/8 x 36" Black
44840	---- MP Standard Hose, 3/8 x 40" Black

DIN Adapters Aqua Lung

Part #	Description
129803	---DIN Conversion Kit, Legend ACD (2012>)
128142	---DIN Adapter, Titan LX ACD (2009>)
127865	---DIN Adapter, Mikron (2010>)
128545	---DIN Adapter, Titan (2010>)
129227	---DIN Conversion Kit, Legend ACD (<2011)
103172	---DIN Adapter, Titan/Mistral (<2009)
107455	---DIN Adapter, SE3/SE2/Conshelf14
125237	---DIN to Yoke Converter

Regulator Service Kits

Part #	Description
FIRST STAGE KITS:	
900000	--- Cousteau/SEA/Spectrum, First Stage
900001	--- Titan(<2009)/Conshelf, First Stage
900002	--- Calypso/Aquarius/Mirage, First Stage
900014	--- Mikron/Titan(2010>),Legend non-ACD, First Stage
900015	--- Calypso (2004>) First Stage
900017	--- Legend ACD, First Stage
900018	--- Kronos/Titan LX ACD, First Stage
42631	---- Pioneer/SQ Century, Yoke and DIN (oil not incl.)
42626	---- SQ Infinity
SECOND STAGE KITS:	
900003	--- Micra ADJ/Micra RH, Second Stage
900009	--- Impulse/Impulse Cryo/XR2, Second Stage
900010	--- Titan/Calypso/XLC/ABS/LPO/Glacia, Second Stage
900012	--- Legend(<2011)/Titan LX, Kronos, Mikron,Second Stage
900013	--- Conshelf, Second Stage
900021	--- Airsource III
900022	--- Legend Second Stage (2012>)
42608	---- Air Source II
42628	---- Sea Quest XL, Second Stage
COMPLETE KITS:	
900016	--- Mistral (complete)

BC Inflator Service Kits

Part #	Description
42609	---- Powerline Inflator
900020	--- i3 Inflator

Apeks Common Spares

Regulator Accessories

Part # Description

102085 --- Adapter, HP, 3/8" Female to 7/16" Male
 101785 --- Adapter, HP, 7/16" Female to 3/8" Male
 AP0480K--Apeks Regulator Necklace
 AP1461--- Hose Protector, Apeks, Black (Std Hose)
 AP1461Y--Hose Protector, Apeks, Yellow (Std Hose)
 AP7100 ---Hose Protector, Apeks, Black (Flex Hose)
 AP7100Y--Hose Protector, Apeks, Yellow (Flex Hose)
 AP6236 ---Hose Protector, Apeks, Black (Flight)
 AP6236Y--Hose Protector, Apeks, Yellow (Flight)

DIN Adapters Apeks

Part # Description

AP0620--- DIN Adapter, Comolded Handwheel
 AP0211--- DIN Adapter, Chrome
 AP0211/S--DIN Adapter, Satin
 AP0371---DIN Adapter, Flight
 AP0195---DIN to Yoke Converter

Replacement Silicone Mouthpieces

Part # Description

AP5324K--Comfo-bite, Black, Apeks
 127826 --- Comfo-bite, Black, Small
 109512 --- Lip Shield

Regulator Service Kits

Part # Description

FIRST STAGE KITS:

AP0241/AA-- Apeks Diaphragm First Stage
 AP0227/AA-- Apeks Status First Stages
 AP0250--- Apeks Flight First Stage

SECOND STAGE KITS:

AP0219/AA-- Apeks Second Stages
 AP0254--- Apeks Flight Second Stage

Regulator MP Hoses Apeks

Part # Description

AP0203--- Hose, MP, Primary, 1/2 x 30"
 AP0203/S--Hose, MP, Primary, Satin, 1/2 x 30"
 AP0203/1--Hose, MP, Primary, 3/8 x 30"
 AP0206--- Hose, MP, Octopus, Yellow, 3/8 x 36"
 AP0198--- Hose, MP, A'Flex, Primary, 3/8 x 30"
 AP0199--- Hose, MP, A'Flex, Yellow, 3/8 x 36"
 AP02031--Hose, MP, 3/8 x 2 Meter (Tec 3)
 AP0200--- Hose, MP, Flex, Primary, 3/8 x 29" (Flight)
 AP0201--- Hose, MP, Flex, Yellow, 3/8 x 36" (Flight)
 AP0249--- Service Kit, Swivel Hose

BC Inflator Service Kits

Part # Description

N/A **WTX Inflator**, All parts for service must be individually purchased

Sidemount Regulator Accessories

Part # Description

AP0014180IMP SPG,w/Hose 6" Imperial
 AP0189NHP---Hose, Reg, Braided, Black, 3/8 x 24"
 AP0198NHP---Hose, Reg, Braided, Black, 3/8 x 83"
 AP0137NHP---Hose, Inflator, Braided, Black, 3/8 x 8"
 AP0903K ----- Fitting, 90° Fixed Elbow
 AP1000K----- Bolt Snap, S/S, Single, 75mm

BC MP Inflator Hoses

Part # Description

45822 ---- MP Braided Hose, 3/8 x 22" Black
 45825 ---- MP Braided Hose, 3/8 x 25" Black
 45827 ---- MP Braided Hose, 3/8 x 27" Black
 45833 ---- MP Braided Hose, 3/8 x 33" Black
 45836 ---- MP Braided Hose, 3/8 x 36" Black
 45840 ---- MP Braided Hose, 3/8 x 40" Black

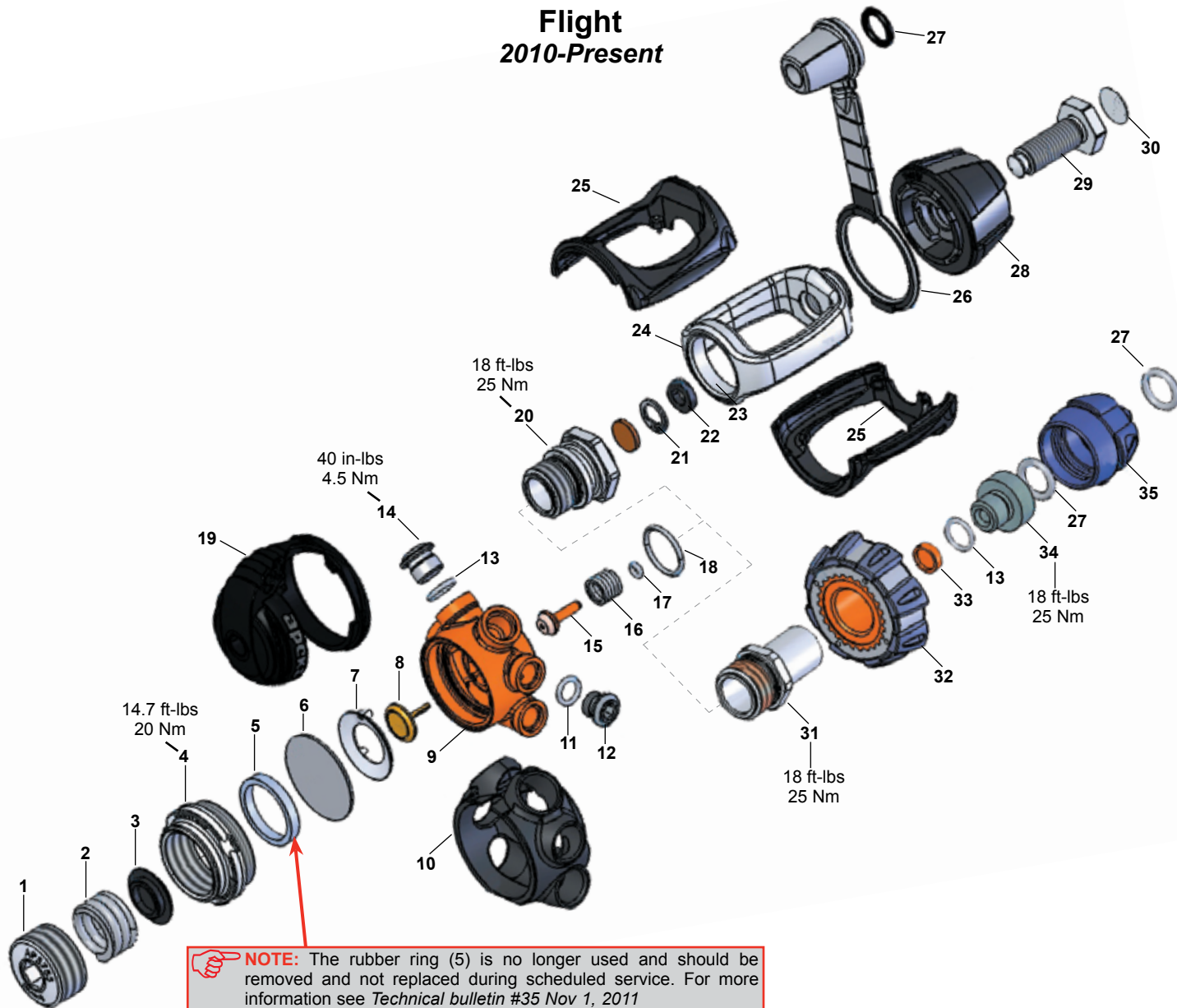
 44822 ---- MP Standard Hose, 3/8 x 22" Black
 44825 ---- MP Standard Hose, 3/8 x 25" Black
 44827 ---- MP Standard Hose, 3/8 x 27" Black
 44833 ---- MP Standard Hose, 3/8 x 33" Black
 44836 ---- MP Standard Hose, 3/8 x 36" Black
 44840 ---- MP Standard Hose, 3/8 x 40" Black

HP Hose

Part # Description

AP7610 ---Hose, HP, 7/16 x 800mm, Apeks

Flight 2010-Present

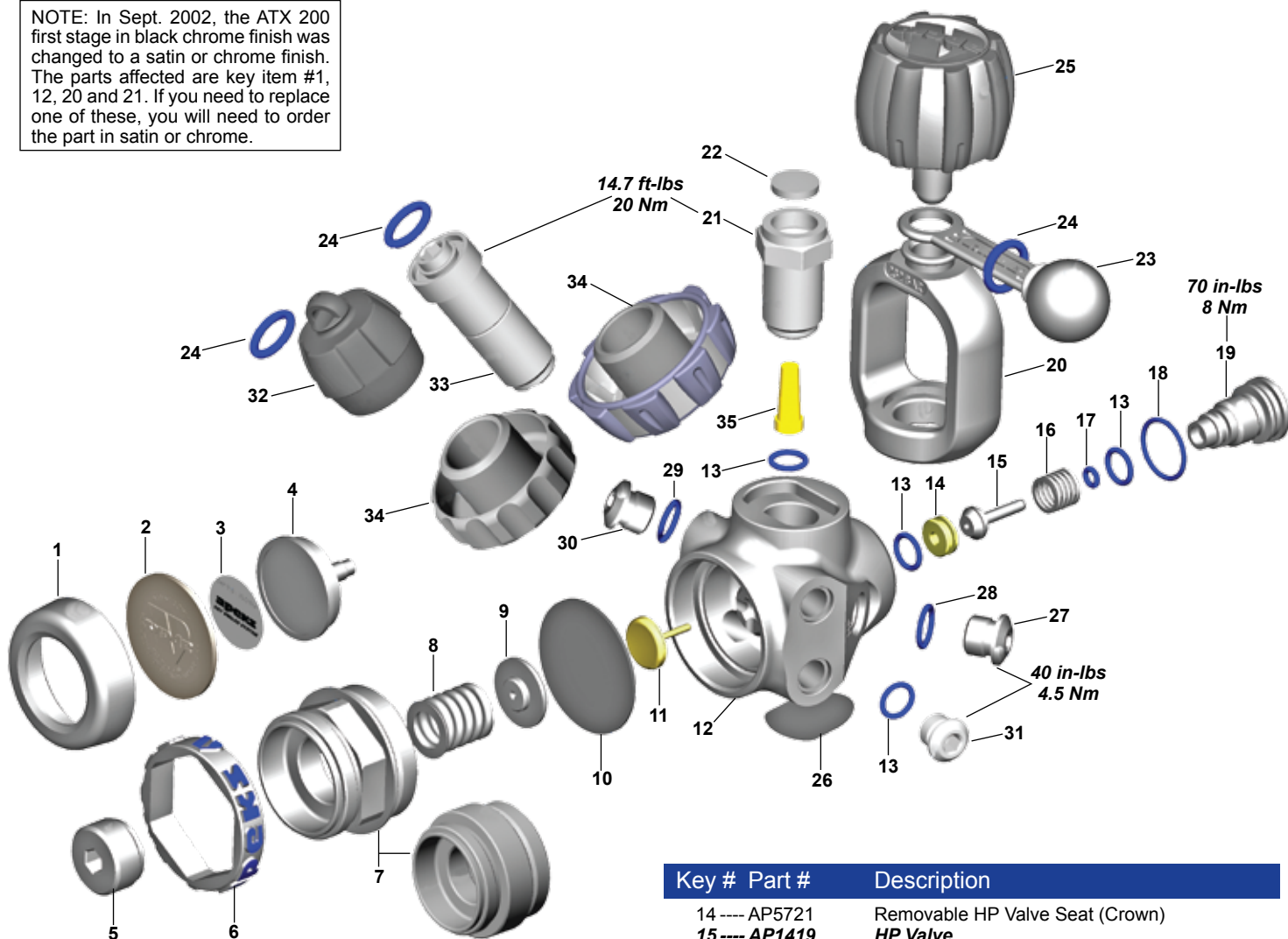


Key #	Part #	Description	Key #	Part #	Description
----	AP0810	Flight, First Stage only, w/Yoke, Pewter	13 ----	AP1445P	O-ring (10 pk)
----	AP0810G	Flight, First Stage only, w/Yoke, Green	14	AP1413	Blanking Plug, 7/16" HP Port
----	AP0810P	Flight, First Stage only, w/Yoke, Pink	15 ----	AP5759	HP Valve
----	AP0810TL	Flight, First Stage only, w/Yoke, Twilight	16	AP1415	Spring
----	AP0250	Service Kit, Flight First Stage	17 ----	AP1299P	O-ring (10 pk)
----	AP0371	DIN Connector	18 ----	AP1298P	O-ring (10 pk)
1	AP5753	Spring Adjuster	19	AP5750	Hood
2	AP5754	MP Spring	20	AP0168	Yoke Connector
3	AP5755	Spring Carrier	21 ----	AP5769	Filter, Yoke
4	AP5752	Diaphragm Clamp, Composite	22	AP5768	Circlip
5	NLA	Rubber Ring	23	AP5695	Plastic Clip
6	AP5756	Diaphragm	24	AP5766	Yoke Clamp
7	AP5757	Splitter	25	AP5767	Yoke Cover
8	AP5717	Valve Lifter	26	AP5714	Dust Cap
9	AP5758	Body	27 ----	AP1166P	O-ring (10 pk)
10	AP5751	Jacket, Pewter	28	AP5716	Yoke Knob
----	AP5751G	Jacket, Green	29	AP5713	Handwheel Hex Axle
----	AP5751P	Jacket, Pink	30	AP5770	Decal
----	AP5751TL	Jacket, Twilight	31	AP0163	DIN Connector
11	AP1409P	O-ring (10 pk)	32	AP6201	DIN Handwheel
12	AP1408	Blanking Plug, 3/8" MP Port	33 ----	AP5763	Filter, DIN
			34	AP5764	DIN Bolt
			35	AP6202	Dust Cap

Part numbers in **BOLD ITALICS** indicate standard overhaul replacement part.

XTX 200 Tungsten 2007-Present • XTX 200 2006-Present
ATX 200 Tungsten 2006-2008 discontinued • ATX 200 2002-2006 discontinued

NOTE: In Sept. 2002, the ATX 200 first stage in black chrome finish was changed to a satin or chrome finish. The parts affected are key item #1, 12, 20 and 21. If you need to replace one of these, you will need to order the part in satin or chrome.

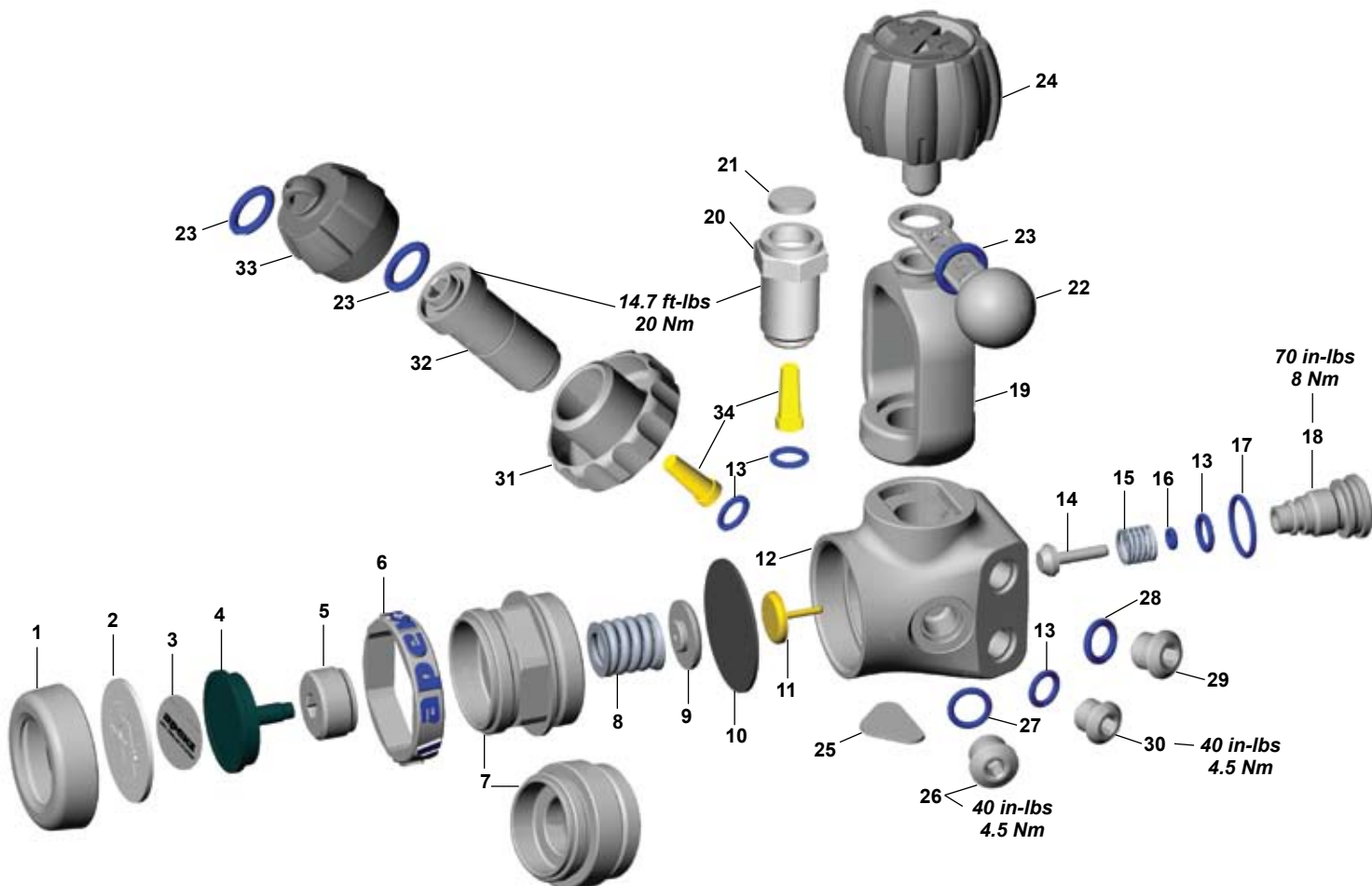


Key #	Part #	Description
14	AP5721	Removable HP Valve Seat (Crown)
15	AP1419	HP Valve
16	AP1415	Spring
17	AP1299P	O-ring (10 pk)
18	AP1300P	O-ring (10 pk)
19	AP5309	HP Balance Plug, ATX
	AP5309B	HP Balance Plug, XTX, Tungsten
20	AP1403/S	Yoke Clamp, Satin, ATX
	AP1403	Yoke Clamp, XTX
	AP1403PVDS	Yoke Clamp, PVD, Tungsten
21	AP1407/S	Yoke Clamp Connector, Satin, ATX
	AP1407	Yoke Clamp Connector, XTX, Tungsten
22	AP1406/1	Filter Guard
23	AP1404	Protective Cap
24	AP1166P	O-ring (10 pk)
25	AP1402	Yoke Clamp Screw
26	AP5723	Decal, Body, XTX 200, ATX 200
	AP5739	Decal, Body, ATX, Tungsten
	AP6239	Decal, Body, XTX, Tungsten
27	AP1413	7/16" Blanking Plug
28	AP1445P	O-ring (10 pk)
29	AP1410P	O-ring, ATX (10 pk)
30	AP1487	1/2" Blanking Plug, ATX
31	AP1408	3/8" Blanking Plug
32	AP6202	Protective Cap, DIN
33	AP1471/S	Handwheel Connector, Satin, ATX
	AP1471	Handwheel Connector, XTX, Tungsten
34	AP1470/S	Handwheel, 300 Bar, Satin, ATX
	AP6201	Handwheel, 300 Bar, XTX, Tungsten
35	AP1472	Conical Filter

Key #	Part #	Description
-----	AP0363	XTX200, First Stage only, w/Yoke
-----	AP03631	XTX200, First Stage only, w/DIN
-----	AP0241/AA	Service Kit, Diaphragm First Stage
-----	AP0211/S	DIN Connector, Satin, ATX
-----	AP0620	DIN Connector, Comolded, Tungsten, XTX
1	AP1484/S	Environmental End Cap, Satin, ATX
-----	AP1484	Environmental End Cap, XTX
-----	AP1484PVDS	Environmental End Cap, PVD, Tungsten
2	AP1482	Hydrostatic Diaphragm, ATX
-----	AP14821	Hydrostatic Diaphragm, XTX, ATX Tungsten
-----	AP1482T	Hydrostatic Diaphragm, XTX Tungsten
3	AP5724	Decal, ATX
4	AP1483	Hydrostatic Transmitter
5	AP1474	Spring Adjuster
6	AP5725	Molded Logo Ring, XTX
7	AP1473	Diaphragm Clamp, Satin, ATX
-----	AP14731	Diaphragm Clamp, XTX
8	AP1475	Spring
9	AP1476	Spring Carrier
10	AP1478	Diaphragm
11	AP5722	Valve Lifter
12	AP5101	Body, FSR, 3/8" MP Port, XTX
-----	AP5101PVDS	Body, FSR, Tungsten, XTX
13	AP1409P	O-ring (10 pk)

Part numbers in **BOLD ITALICS** indicate standard overhaul replacement part.

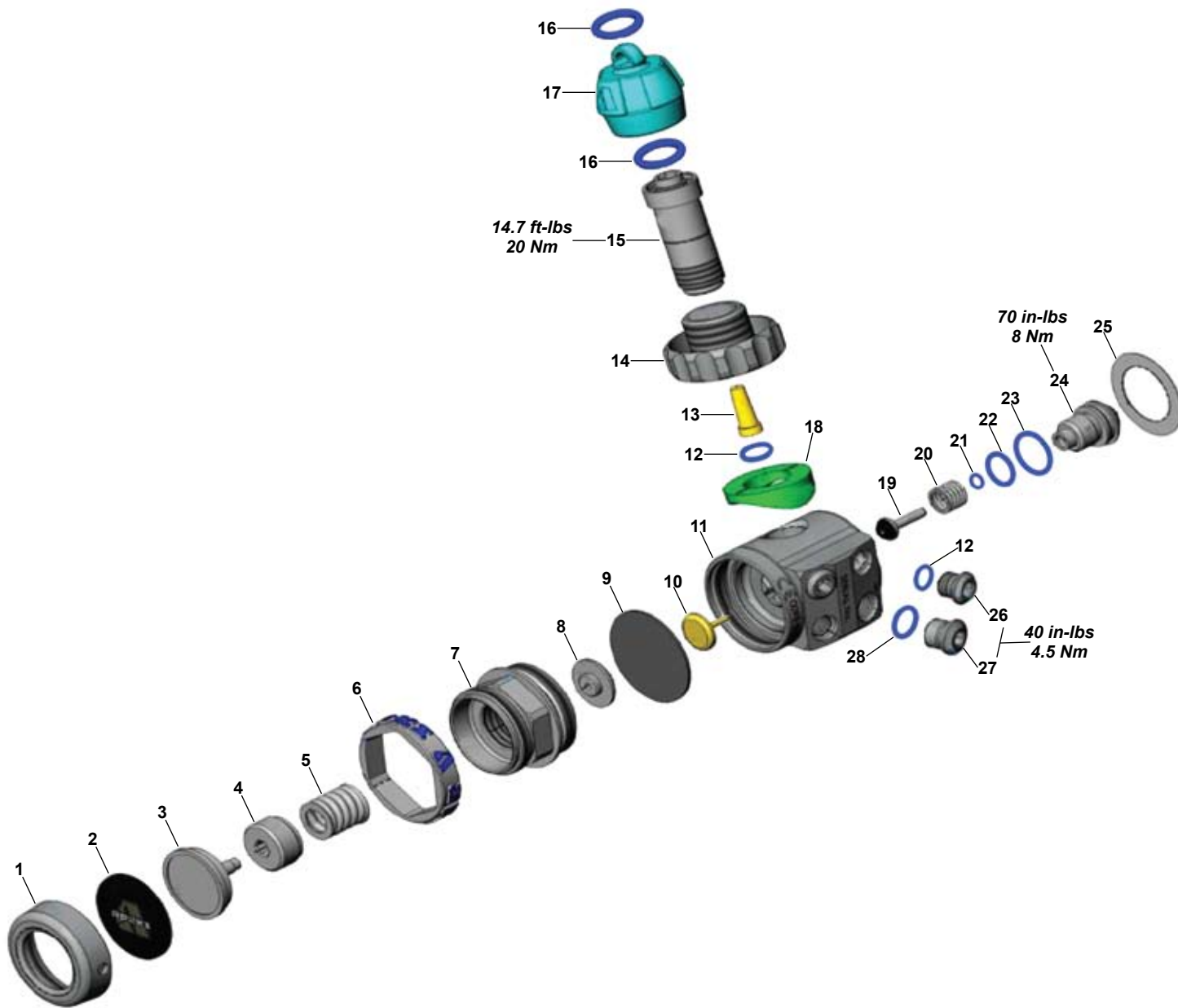
XTX 100 2006-Present
ATX 100 2004-2006 *discontinued*



Key #	Part #	Description	Key #	Part #	Description
----	AP0362	XTX100, First Stage only, w/Yoke	16 ----	AP1299P	O-ring (10 pk)
----	AP0241/AA	Service Kit, Diaphragm First Stage	17 ----	AP1300P	O-ring (10 pk)
----	AP0211/S	DIN Connector	18	AP5309	HP Balance Plug
1	AP1484/S	Environmental End CAP	19	AP1403/S	Yoke Clamp
2	AP14821	Hydrostatic Diaphragm, XTX	20	AP1407/S	Yoke Clamp Connector
----	AP1482	Hydrostatic Diaphragm, ATX	21 ----	AP1406/1	Filter Guard
3	AP1477	Environmental Decal, ATX	22	AP1404	Protective CAP
4	AP1483	Hydrostatic Transmitter	23 ----	AP1166P	O-ring (10 pk)
5	AP1474	Spring Adjuster	24	AP1402	Yoke Clamp Screw, Comolded
6	AP5725	Molded Logo Ring, XTX	25	AP5014	Decal
7	AP14731	Diaphragm Clamp, XTX	26	AP1413	7/16" UNF Blanking Plug
----	AP1473	Diaphragm Clamp, ATX	27 ----	AP1445P	O-ring (10 pk)
8	AP1475	Spring	28 ----	AP1410P	O-ring, ATX (10 pk)
9	AP1476	Spring Carrier	29	AP1487	1/2" UNF Blanking Plug, ATX
10 ----	AP1478	Diaphragm	30	AP1408	3/8" UNF Blanking Plug
11	AP1479	Valve Lifter	31	AP1470/S	Handwheel 300 bar
12	AP5102	Body, FST, 3/8" MP Port, XTX	32	AP1471/S	Handwheel Connector
13 ----	AP1409P	O-ring (10 pk)	33	AP6202	Protective DIN CAP
14 ----	AP1419	HP Valve	34 ----	AP1472	Conical Filter
15	AP1415	Spring			

Part numbers in **BOLD ITALICS** indicate standard overhaul replacement part.

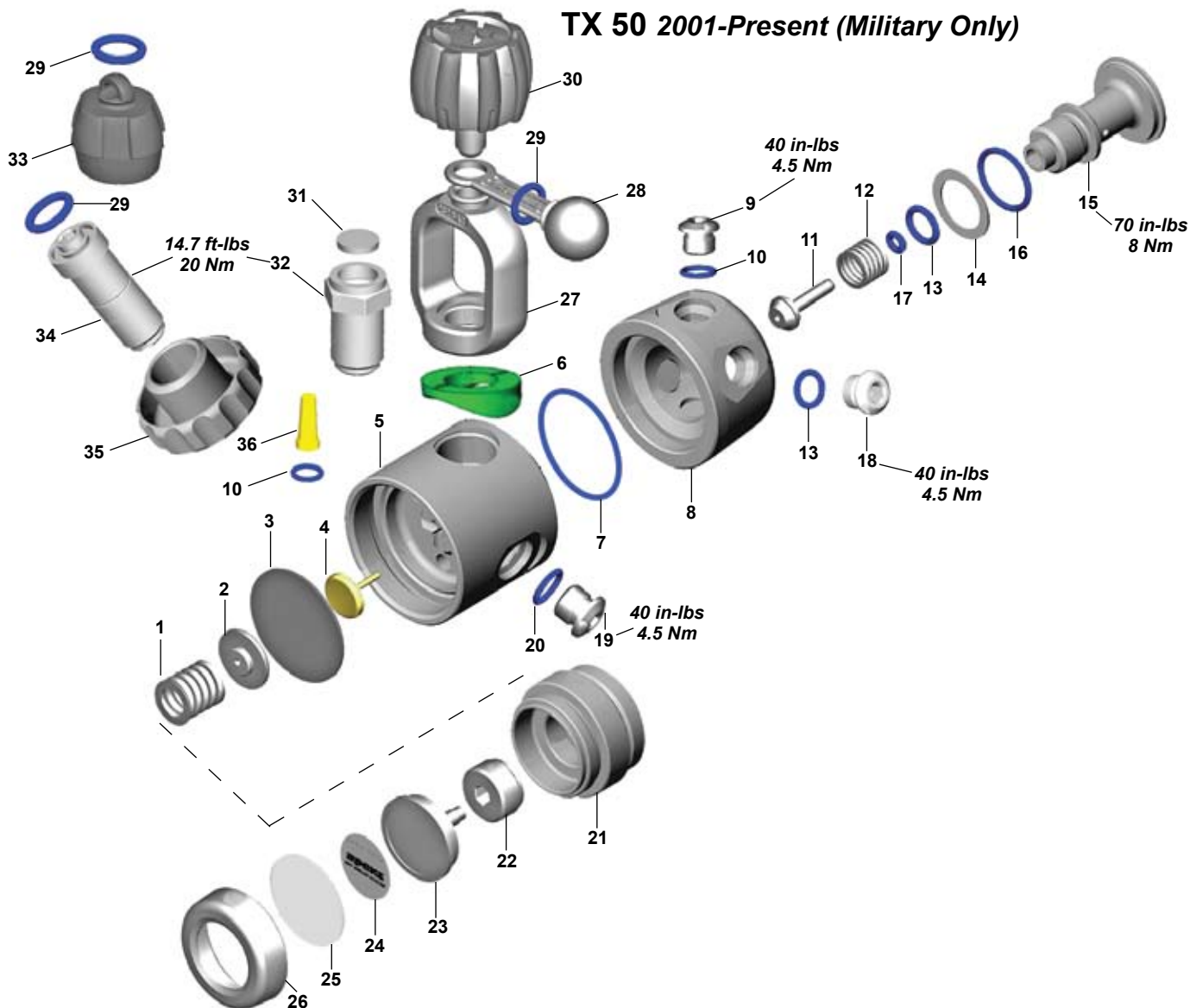
TEK 3 2007-Present



Key #	Part #	Description	Key #	Part #	Description
----	AP0367-1	TEK3 First Stage Set	13 ----	AP1472	Conical Filter
----	AP0241/AA	Service Kit, Diaphragm First Stage	14 ----	AP1470	DIN Handwheel
----	AP0211	DIN Connector	15 ----	AP1471	Handwheel Connector
1 ----	AP1484	Environmental End Cap	16 ----	AP1166P	O-ring (10 pk)
2 ----	AP14821	Hydrostatic Diaphragm	17 ----	AP6202	DIN Protective Cap
3 ----	AP1483	Hydrostatic Transmitter	18 ----	AP1446	Distance Piece
4 ----	AP1474	Spring Adjuster	19 ----	AP1419	HP Valve
5 ----	AP1475	Spring	20 ----	AP1415	Spring
6 ----	AP5725	Molded Logo Ring	21 ----	AP1299P	O-ring (10 pk)
7 ----	AP14731	Diaphragm Clamp	22 ----	AP1410P	O-ring (10 pk)
8 ----	AP1476	Spring Carrier	23 ----	AP1300P	O-ring (10 pk)
9 ----	AP1478	Diaphragm	24 ----	AP5202	HP Balance Plug
10 ----	AP1479	Valve Lifter	25 ----	AP5106	TEK3 Decal
11 ----	AP5104	TEK3 LH Valve Body	26 ----	AP1408	3/8" UNF Blanking Plug
----	AP5105	TEK3 RH Valve Body	27 ----	AP1413	7/16" UNF Blanking Plug
12 ----	AP1409P	O-ring (10 pk)	28 ----	AP1445P	O-ring (10 pk)

Part numbers in **BOLD ITALICS** indicate standard overhaul replacement part.

XTX 50 • XTX 40 2006-Present
ATX 50 2002-2007 discontinued • ATX 40 2003-2006 discontinued
TX 50 2001-Present (Military Only)

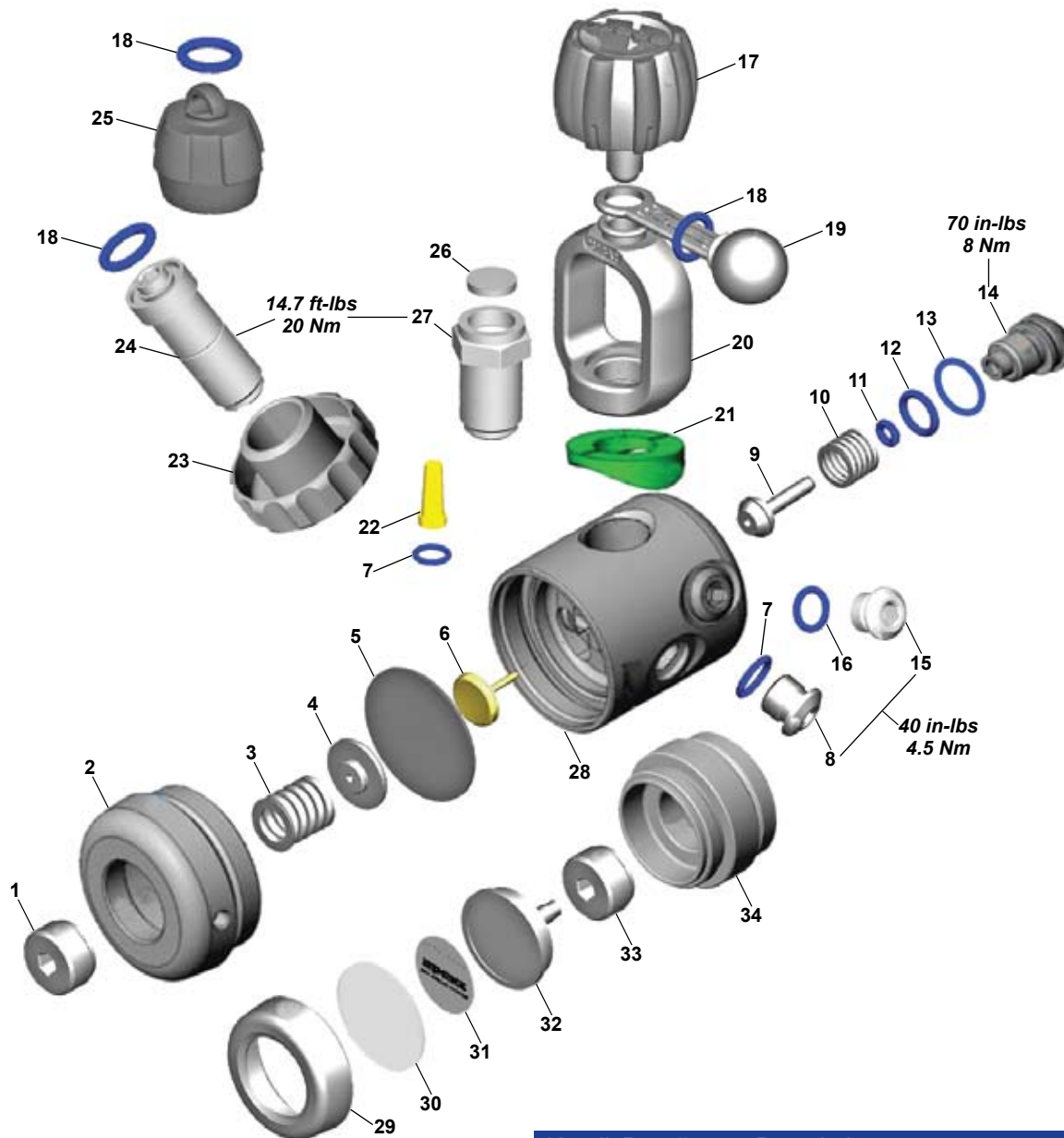


Key #	Part #	Description
----	AP0361	XTX50, First Stage only, w/Yoke
----	AP03611	XTX50, First Stage only, w/DIN
----	AP0241/AA	Service Kit, Diaphragm First Stage
----	AP0274	5-Port Turret Upgrade Kit
----	AP0211	Din Connector
1----	AP1475	Spring
2----	AP1476	Spring Carrier
3----	AP1478	Diaphragm
4----	AP1479	Valve Lifter
5----	AP1480	Body
6----	AP1446	Distance Piece
7----	AP1420P	O-ring (10 pk)
8----	AP5103	Turret with 3/8" MP Port, XTX
----	AP1481	Turret with 1/2" MP Port, ATX/TX
9----	AP1408	Blanking Plug 3/8"
10----	AP1409P	O-ring (10 pk)
11----	AP1419	HP Valve
12----	AP1415	Spring
13----	AP1410P	O-ring (10 pk)
14----	AP1414	Thrust Washer
15----	AP1486	Turret Retaining Bolt

Key #	Part #	Description
16----	AP1438P	O-ring (10 pk)
17----	AP1299P	O-ring (10 pk)
18----	AP1487	Blanking Plug 1/2", ATX, TX
19----	AP1413	Blanking Plug 7/16"
20----	AP1445P	O-ring (10 pk)
21----	AP1473	Diaphragm Clamp
22----	AP1474	Spring Adjuster
23----	AP1483	Hydrostatic Transmitter
24----	AP1477	Decal
25----	AP1482	Hydrostatic Diaphragm
26----	AP1484	Environmental End Cap
27----	AP1403	Yoke Clamp
28----	AP1404	Protective Cap
29----	AP1166P	O-ring (10 pk)
30----	AP1402	Yoke Clamp Screw, Comolded
31----	AP1406/1	Filter Guard
32----	AP1407	Yoke Clamp Connector
33----	AP6202	Protective Cap DIN
34----	AP1471	Handwheel Connector
35----	AP1470	Handwheel 300 Bar
36----	AP1472	Conical Filter

Part numbers in **BOLD ITALICS** indicate standard overhaul replacement part.

XTX20 2006-Present
AT20 • DS4 2002-Present



Key #	Part #	Description
----	AP0527	DS4 First Stage, Yoke, Dry Kit
----	AP0528	DS4 First Stage, DIN, Dry Kit
----	AP0517	US4 First Stage, Yoke, w/o Dry Kit
----	AP0241/AA	Service Kit, Diaphragm First Stages
----	AP0211	DIN Connector
1----	AP14741	Spring Adjuster
2----	AP1485	Diaphragm Cap
3----	AP1475	Spring
4----	AP1476	Spring Carrier
5----	AP1478	Diaphragm
6----	AP1479	Valve Lifter
7----	AP1409P	O-ring (10 pk)
8----	AP1408	3/8" UNF Blanking Plug
9----	AP1419	HP Valve
10----	AP1415	Spring
11----	AP1299P	O-ring (10 pk)
12----	AP1410P	O-ring (10 pk)
13----	AP1300P	O-ring (10 pk)
14----	AP5202	HP Balance Plug
15----	AP1413	7/16" UNF Blanking Plug
16----	AP1445P	O-ring (10 pk)
17----	AP1402	Yoke Clamp Screw, Comolded
18----	AP1166P	O-ring (10 pk)
19----	AP1404	Protective Cap
20----	AP1403	Yoke Clamp
21----	AP1446	Distance Piece
----	AP1446G	Distance Piece, Nitrox, Green
22----	AP1472	Conical Filter
23----	AP1470	Handwheel 300 Bar
24----	AP1471	Handwheel Connector
25----	AP6202	DIN Protective Cap
26----	AP1406/1	Filter Guard
27----	AP1407	Yoke Clamp Connector
28----	AP5201	Body
29----	AP1484	Environmental Cap
30----	AP1482	Hydrostatic Diaphragm
31----	AP1477	1st Stage Decal
----	AP14771	1st Stage Decal, Nitrox
32----	AP1483	Hydrostatic Transmitter
33----	AP1474	Spring Adjuster
34----	AP1473	Diaphragm Clamp, DS4

Part numbers in **BOLD ITALICS** indicate standard overhaul replacement part.

Status 2007-2008

discontinued



Key #	Part #	Description
-----	AP0227/AA	Service Kit, Status First Stage
-----	AP0228	Electronic Replacement Kit (Includes 3, 4, 6, 15)
1----	AP1484	Environmental End Cap
2----	AP1482	Hydrostatic Diaphragm
3----	AP7510	Status Decal
4----	N/A	Main Electronic Unit
5----	AP7518	Battery Carrier
6----	103105	CR2025 Battery, Coin Cell, Lithium
7----	AP7508	Spring Adjuster
8----	AP5725	Logo Ring
9----	AP7507	Diaphragm Clamp

Key #	Part #	Description
10----	AP7520	O-ring
11----	AP1475	Spring
12----	AP7506	Location Plug
13----	AP7505	Clamping Nut
14----	AP7501	Diaphragm Ring
15----	N/A	Pressure Sensor
16----	AP7502	O-ring
17----	AP7512	Status Valve Lifter (XTX 50)
-----	AP7500	Status Valve Lifter (XTX 200)
18a----	AP1480	XTX50 Body
18b----	AP5101	XTX200 Body

Part numbers in **BOLD ITALICS** indicate standard overhaul replacement part.

Flight • Flight Octopus 2010-Present



Key #	Part #	Description
-------	--------	-------------

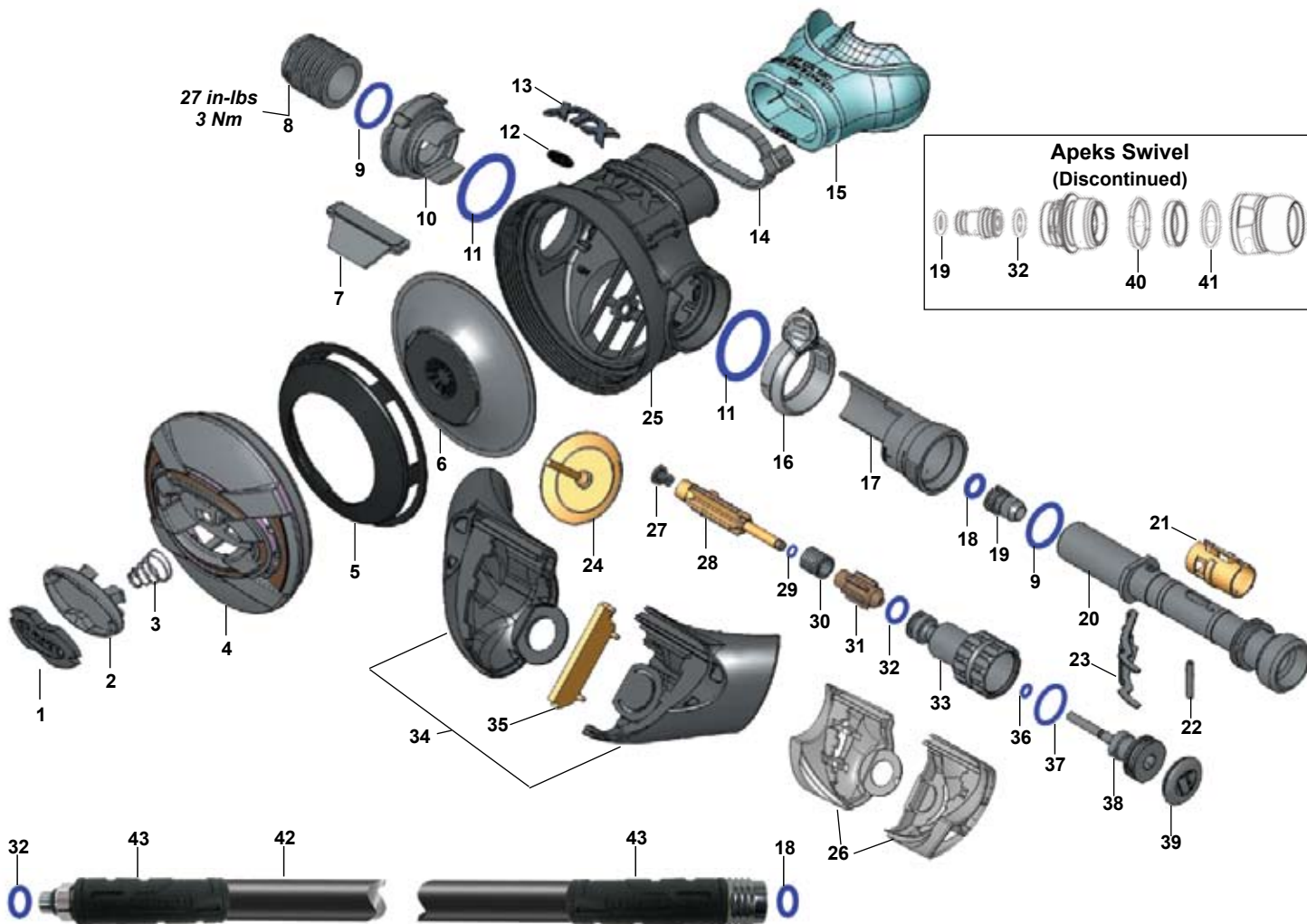
----	AP0811	Flight, Second Stage only, Pewter
----	AP0811G	Flight, Second Stage only, Green
----	AP0811TL	Flight, Second Stage only, Twilight
----	AP0811P	Flight, Second Stage only, Pink
----	AP0254	Flight Second Stage Repair Kit
1----	AP7589	Purge Clamp Ring (for Pewter Model)
----	AP7589F	Purge Clamp Ring (for Pink & Twilight Model)
----	AP7589G	Purge Clamp Ring (Green)
----	AP7589Y	Purge Clamp Ring (Yellow)
2----	AP0175M	Front Cover Assembly (for Pewter/Octo)
----	AP0175T	Front Cover Assembly (for Green Model)
----	AP0175TL	Front Cover Assembly (for Twilight Model)
----	AP0175F	Front Cover Assembly (for Pink Model)
3----	AP7577	Inner Locking Ring
4----	AP7592	Friction Ring
5----	AP100181	Diaphragm
6----	AP7590	Case
7----	AP7578	Exhaust Tee
8----	AP6223	Exhaust Valve
9----	AP1267P	O-ring (10 pk)
10----	AP7579	Venturi Lever
11----	AP7596B	Insert Logo (Black)
----	AP7596P	Insert Logo (Pink)
----	AP7596G	Insert Logo (Green)

Key #	Part #	Description
-------	--------	-------------

----	AP7596Y	Insert Logo (Yellow)
12----	129154	Mouthpiece Clamp
13----	AP5324K	Mouthpiece, Comfobite, Std.
----	127826	Mouthpiece, Comfobite, Small
----	104138	Mouthpiece, Standard, Octopus
14----	AP7581	Spindle Body
15----	AP7570	Micro Adjuster Screw
16----	AP7582	Spindle Adjuster Sleeve
17----	AP7584	Spring Carrier
18----	AP2021	Spring
19----	AP5711P	O-ring (10 pk)
20----	AP5707	Shuttle Valve
21----	129638	MP Seat
22----	AP2035	Lever
23----	AP1154P	O-ring (10 pk)
24----	AP7563	Seat
25----	AP7586	Inlet Fitting
26----	AP7595	Locking Slide Ring
27----	AP6236	Hose Protector, Black
----	AP6236Y	Hose Protector, Yellow
28----	AP0200	Hose, Flex, 3/8" X 29" Black, w/Hose Protectors
----	AP0201	Hose, Flex, 3/8" X 36" Yellow, w/Hose Protectors
29----	AP7100	Hose Protector, Black (for Flex Hose)
----	AP7100Y	Hose Protector, Yellow (for Flex Hose)
30----	AP1409P	O-ring (10 pk)

Part numbers in **BOLD ITALICS** indicate standard overhaul replacement part.

XTX200 Tungsten 2007-Present
XTX200 • XTX100 2006-Present



Key # Part # Description

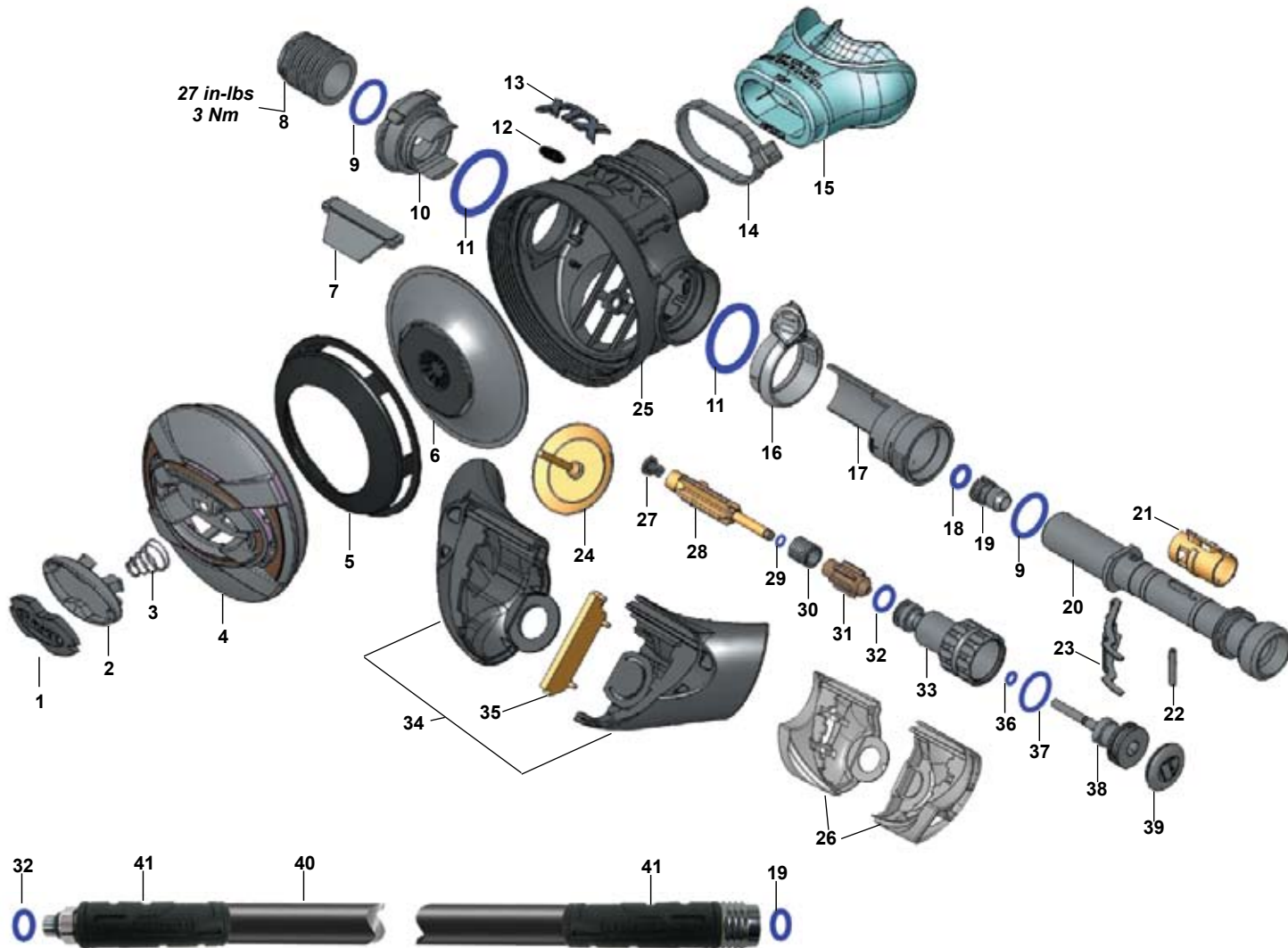
----	AP03532	XTX200, Second Stage
-----	AP0219/AA	Universal Second Stage Repair Kit
-----	AP0249	Service Kit, Swivel Hose
1----	AP6224	Decal
2----	AP6214	Purge Button
3----	AP6222	Spring
4----	AP6217	Case Cover, XTX200/XTX100
----	AP6217PVDS	Case Cover, Tungsten
5----	AP5802	Diaphragm Cover
6----	AP5803	Diaphragm
7----	AP2037	Deflector
8----	AP5002	Heat Exchanger, XTX200
----	AP5013PVDS	Heat Exchanger, PVD, Tungsten
----	AP5013/S	Heat Exchanger, XTX100
9----	AP1267P	O-ring (10 pk)
10----	AP6211	Blanking Piece
11----	AP1438P	O-ring (10 pk)
12----	AP6225	Decal, XTX200
----	AP6238	Decal, Tungsten
----	AP6226	Decal, XTX100
13----	AP6221B	XTX Decal, XTX200, Tungsten
----	AP6221S	XTX Decal, XTX100
14----	104913	Mouthpiece Clamp
15----	AP5324K	Comfobite Mouthpiece
16----	AP6212	Venturi Ring
17----	AP6213	Venturi Lever Body
18----	AP1154P	O-ring (10 pk)

Key # Part # Description

19----	AP2033	Seat
20----	AP6216	Valve Spindle, XTX200
----	AP6216S	Valve Spindle, XTX100
21----	AP6215	Spindle Collar
22----	AP1151	Spring Pin
23----	AP2035	Lever
24----	AP6223	Exhaust Valve
25----	AP6210	Case
26----	AP6219K	Small Exhaust Tee, Set
27----	AP2034	MP Seat
28----	AP2036	Shuttle Valve
29----	AP2041P	O-ring (10 pk)
30----	AP2021	Spring
31----	AP2038	Counter Balance Cylinder
32----	AP1409P	O-ring (10 pk)
33----	AP6577	Adjusting Screw, XTX200
----	AP6577/S	Adjusting Screw, XTX100
----	AP6577PVDS	Adjusting Screw, PVD, Tungsten
34----	AP6220K	Large Exhaust Tee, Set
35----	AP6230	Exhaust Rib
36----	AP5711P	O-ring (10 pk)
37----	AP1159P	O-ring (10 pk)
38----	AP6578	Spring Adjuster
39----	AP5830	Plug
40----	AP1298P	O-ring, Swivel Hose (10 pk)
41----	AP1300P	O-ring, Swivel Hose (10 pk)
42----	AP0203/1	Hose, MP, 3/8" X 29"
43----	AP1461	Hose Protector, Black (Std.Hose)

Part numbers in **BOLD ITALICS** indicate standard overhaul replacement part.

XTX50 • XTX50 Octopus 2006-Present

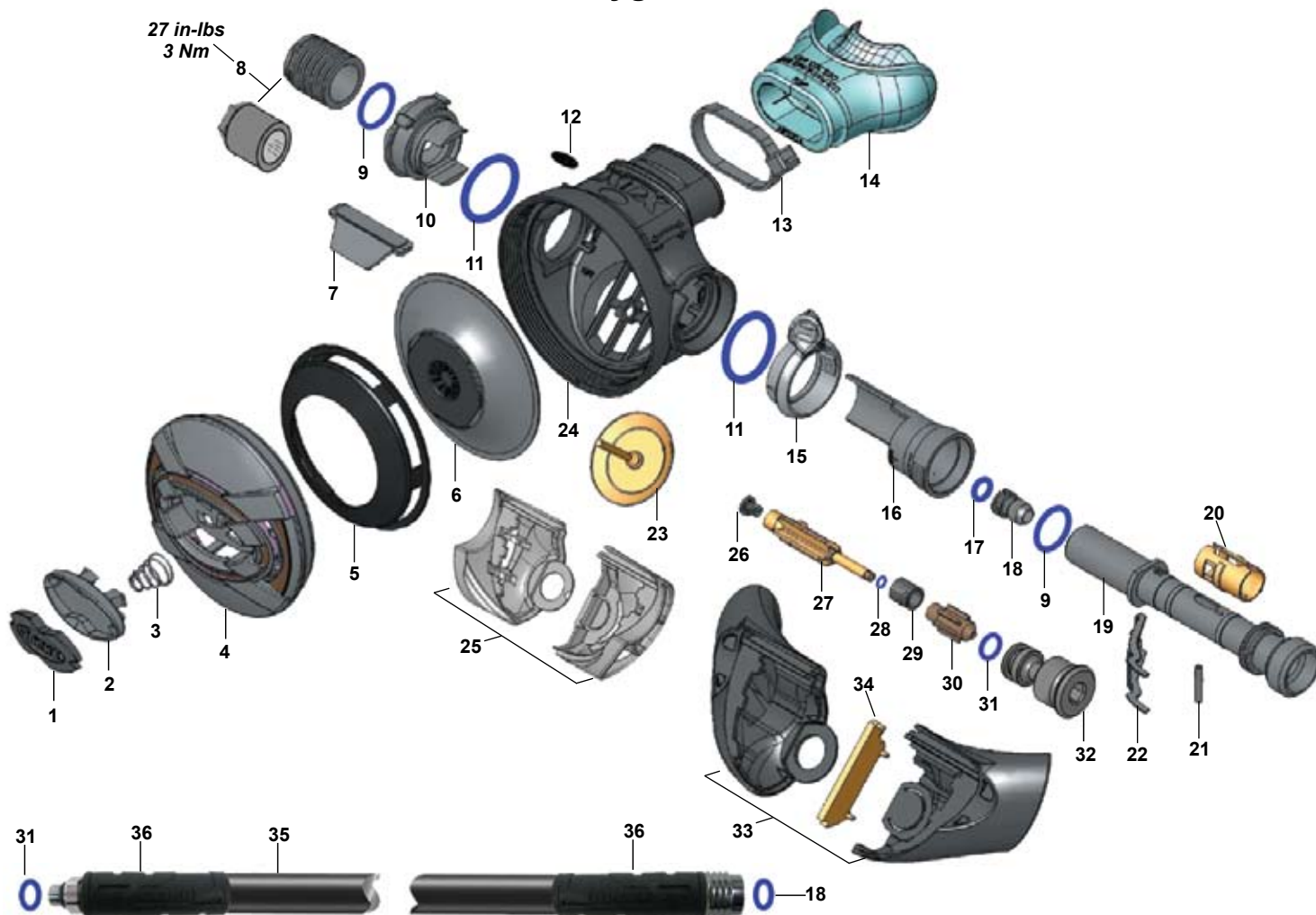


Key #	Part #	Description
----	AP0352	XTX50, Second Stage
----	AP0219/AA	Universal Second Stage Repair Kit
1----	AP6224	Decal
2----	AP6214	Purge Button
----	AP6214Y	Purge Button, Yellow
3----	AP6222	Spring
4----	AP6218	Case Cover, XTX50
----	AP6218Y	Case Cover, Yellow
5----	AP5802	Diaphragm Cover
6----	AP5803	Diaphragm
7----	AP2037	Deflector
8----	AP5002	Heat Exchanger, XTX50
9----	AP1267P	O-ring (10 pk)
10----	AP6211	Blanking Piece
----	AP6211Y	Blanking Piece, Yellow
11----	AP1438P	O-ring (10 pk)
12----	AP6227	Decal, XTX50
13----	AP6221GREY	XTX Decal, XTX50
----	AP6221Y	XTX Decal, XTX50 Octopus
14----	104913	Mouthpiece Clamp
15----	AP5324K	Comfobite Mouthpiece
----	104138	Mouthpiece, Standard, Octopus
16----	AP6212	Venturi Ring
----	AP6212Y	Venturi Ring, Yellow
17----	AP6213	Venturi Lever Body

Key #	Part #	Description
18----	AP2033	Seat
19----	AP1154P	O-ring (10 pk)
20----	AP6216	Valve Spindle, XTX50
21----	AP6215	Spindle Collar
22----	AP1151	Spring Pin
23----	AP2035	Lever
24----	AP6223	Exhaust Valve
25----	AP6210	Case
26----	AP6219K	Small Exhaust Tee, Set
27----	AP2034	MP Seat
28----	AP2036	Shuttle Valve
29----	AP2041P	O-ring (10 pk)
30----	AP2021	Spring
31----	AP2038	Counter Balance Cylinder
32----	AP1409P	O-ring (10 pk)
33----	AP6577	Adjusting Screw, XTX50
34----	AP6220K	Large Exhaust Tee, Set
35----	AP6230	Exhaust Rib
36----	AP5711P	O-ring (10 pk)
37----	AP1159P	O-ring (10 pk)
38----	AP6578	Spring Adjuster
39----	AP5830	Plug
40----	AP0203/1	Hose, MP, 3/8" X 29"
----	AP0206	Hose, MP, Octopus, Yellow, 3/8" X 36"
41----	AP1461	Hose Protector, Black
----	AP1461Y	Hose Protector, Octopus, Yellow

Part numbers in **BOLD ITALICS** indicate standard overhaul replacement part.

**XTX40 • XTX40 Octopus • XTX20 • XTX20 Octopus 2006-Present
XTX40 Oxygen 2007-Present**



Key # Part # Description

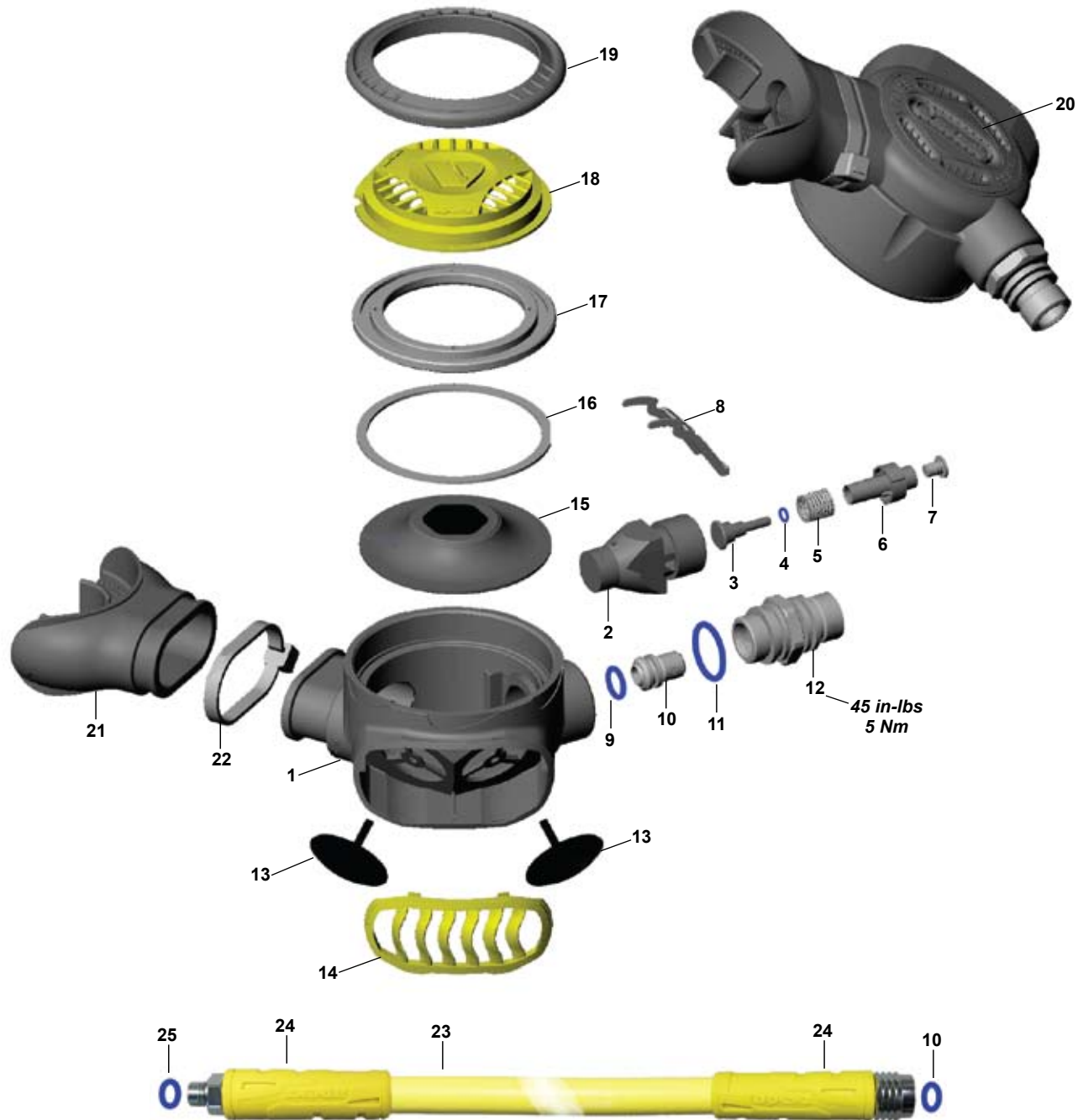
-----	AP0350	XTX20, Second Stage
-----	AP0351	XTX40, Second Stage
-----	AP0219/AA	Universal Second Stage Repair Kit
1 ----	AP6224	Decal
-----	AP6224N	Decal, Nitrox, XTX40 Oxy
2 ----	AP6214	Purge Button
-----	AP6214Y	Purge Button, Yellow
3 ----	AP6222	Spring
4 ----	AP6218	Case Cover
-----	AP6218Y	Case Cover, Yellow
-----	AP6218G	Case Cover, Green, XTX40 Oxy
5 ----	AP5802	Diaphragm Cover
6 ----	AP5803	Diaphragm
7 ----	AP2037	Deflector
8 ----	AP5002	Heat Exchanger, XTX40
-----	AP5003	Spacer, XTX20
9 ----	AP1267P	O-ring (10 pk)
10 ----	AP6211	Blanking Piece
-----	AP6211Y	Blanking Piece, Yellow
-----	AP6211G	Blanking Piece, Green, XTX40 Oxy
11 ----	AP1438P	O-ring (10 pk)
12 ----	AP6228	Decal, XTX40
-----	AP6228N	Decal, XTX40 Nitrox, XTX40 Oxy
-----	AP6229	Decal, XTX20
13 ----	104913	Mouthpiece Clamp
-----	AP5324K	Combifote Mouthpiece
-----	104138	Mouthpiece, Standard, Octopus

Key # Part # Description

15 ----	AP6212	Venturi Ring
-----	AP6212Y	Venturi Ring, Yellow
-----	AP6212G	Venturi Ring, Green, XTX40 Oxy
16 ----	AP6213	Venturi Lever Body
17 ----	AP2033	Seat
18 ----	AP1154P	O-ring (10 pk)
19 ----	AP6216	Valve Spindle
20 ----	AP6215	Spindle Collar
21 ----	AP1151	Spring Pin
22 ----	AP2035	Lever
23 ----	AP6223	Exhaust Valve
24 ----	AP6210	Case
25 ----	AP6219K	Small Exhaust Tee, Set
-----	AP6219G	Small Exhaust Tee, Set, Green, XTX40 Oxy
26 ----	AP2034	MP Seat
27 ----	AP2036	Shuttle Valve
28 ----	AP2041P	O-ring (10 pk)
29 ----	AP2021	Spring
30 ----	AP2038	Counter Balance Cylinder
31 ----	AP1409P	O-ring (10 pk)
32 ----	AP2029-1	Adjusting Screw
33 ----	AP6220K	Large Exhaust Tee, Set
34 ----	AP6230	Exhaust Rib
35 ----	AP0203/1	Hose, MP, 3/8" X 29"
-----	AP0206	Hose, MP, Octopus, Yellow, 3/8" X 36"
36 ----	AP1461	Hose Protector, Black (Std.Hose)
-----	AP1461Y	Hose Protector, Yellow (Std.Hose)

Part numbers in **BOLD ITALICS** indicate standard overhaul replacement part.

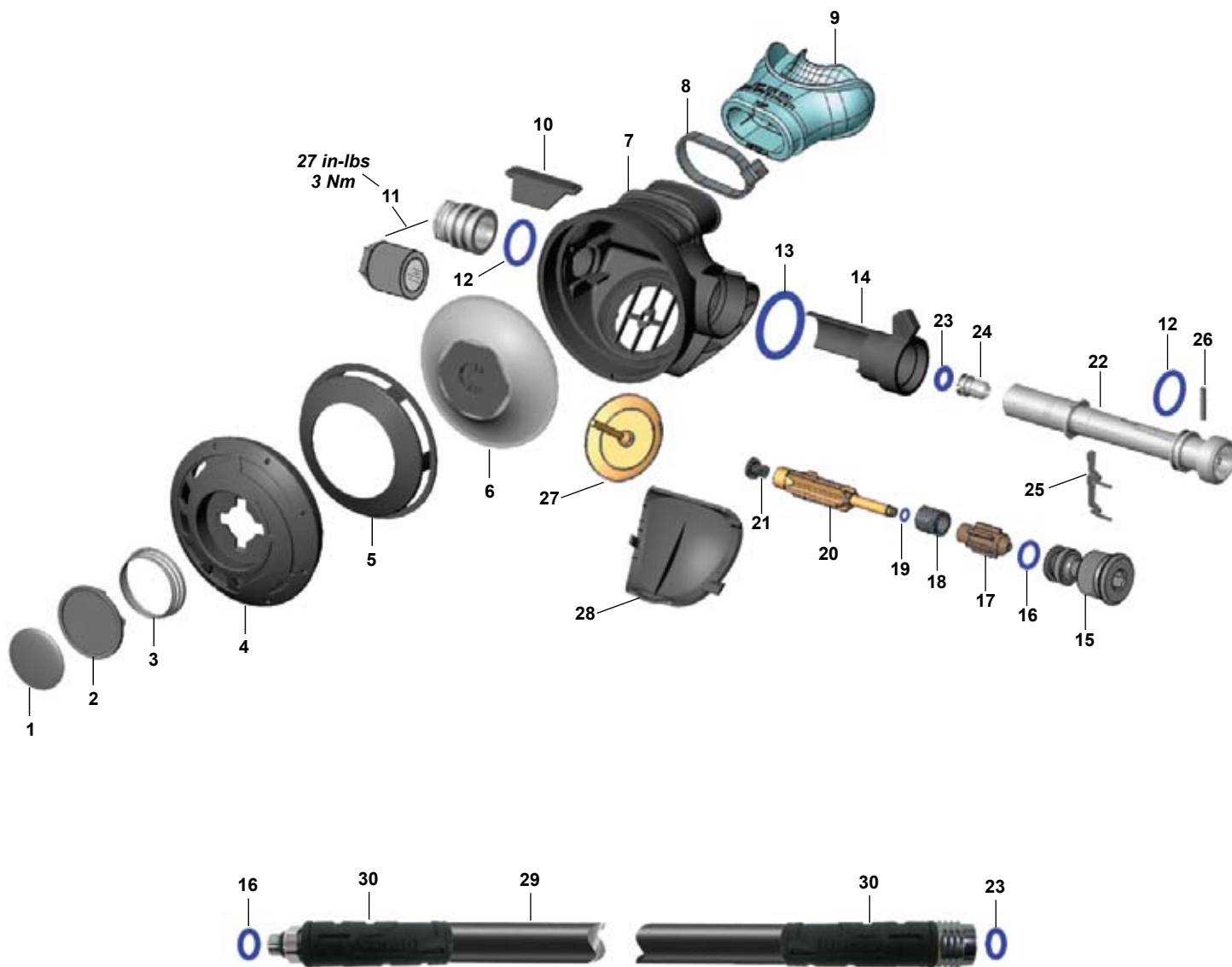
Egress 2004-Present



Key #	Part #	Description	Key #	Part #	Description
----	AP0219/AA	Universal Second Stage Repair Kit	13	100122	Exhaust Valve
1	AP7550	Egress Case	14	AP7558	Egress Exhaust Gate
2	AP7560	Egress Spindle Body	15	AP7553	Egress Diaphragm
3	AP7562	Egress Spring Carrier	16	AP7554	Egress Friction Ring
4	AP5711P	O-ring (10 pk)	17	116923	Inner Locking Ring
5	AP2021	Valve Spring	18	AP7556	Egress Front Cover
6	AP5707	Egress Shuttle Valve	19	AP7557	Egress Front Locking Ring
7	AP2034	MP Seat	20	AP7551	Egress Decal
8	AP2035	Lever	21	104138	Mouthpiece
9	AP1154P	O-ring (10 pk)	22	104913	Mouthpiece Clamp
10	AP7563	Egress Valve Seat	23	AP0206	Hose, MP, Octopus, Yellow, 3/8" X 36"
11	AP1267P	O-ring (10 pk)	24	AP1461Y	Hose Protector, Yellow (Std.Hose)
12	AP7561	Egress Inlet Fitting	25	AP1409P	O-ring, Hose End, Male, (10 pk)

Part numbers in **BOLD ITALICS** indicate standard overhaul replacement part.

ATX40 2003-Present
AT20 • ATX40 Octopus • AT20 Octopus 2002-Present



Key # Part # Description

-----	AP0219/AA	Universal Second Stage Repair Kit
1----	AP5821	Decal, ATX40
-----	AP5822	Decal, AT20
2----	AP5805	Purge Button
3----	AP2020	Spring
4----	AP5807	Case Cover
-----	AP5807/Y	Case Cover, Yellow, Octopus
5----	AP5802	Diaphragm Cover
6----	AP5803	Diaphragm
7----	AP5800	Case
8----	104913	Mouthpiece Clamp
9----	AP5324K	Mouthpiece, Comfobite
-----	104138	Mouthpiece, Standard, Octopus
10----	AP2037	Deflector
11----	AP5002	Heat Exchanger, ATX40
-----	AP5003	Spacer, AT20
12----	AP1267P	O-ring (10 pk)
13----	AP1438P	O-ring (10 pk)
14----	AP2039	Venturi Lever
-----	AP2039/Y	Venturi Lever, Yellow, Octopus

Key # Part # Description

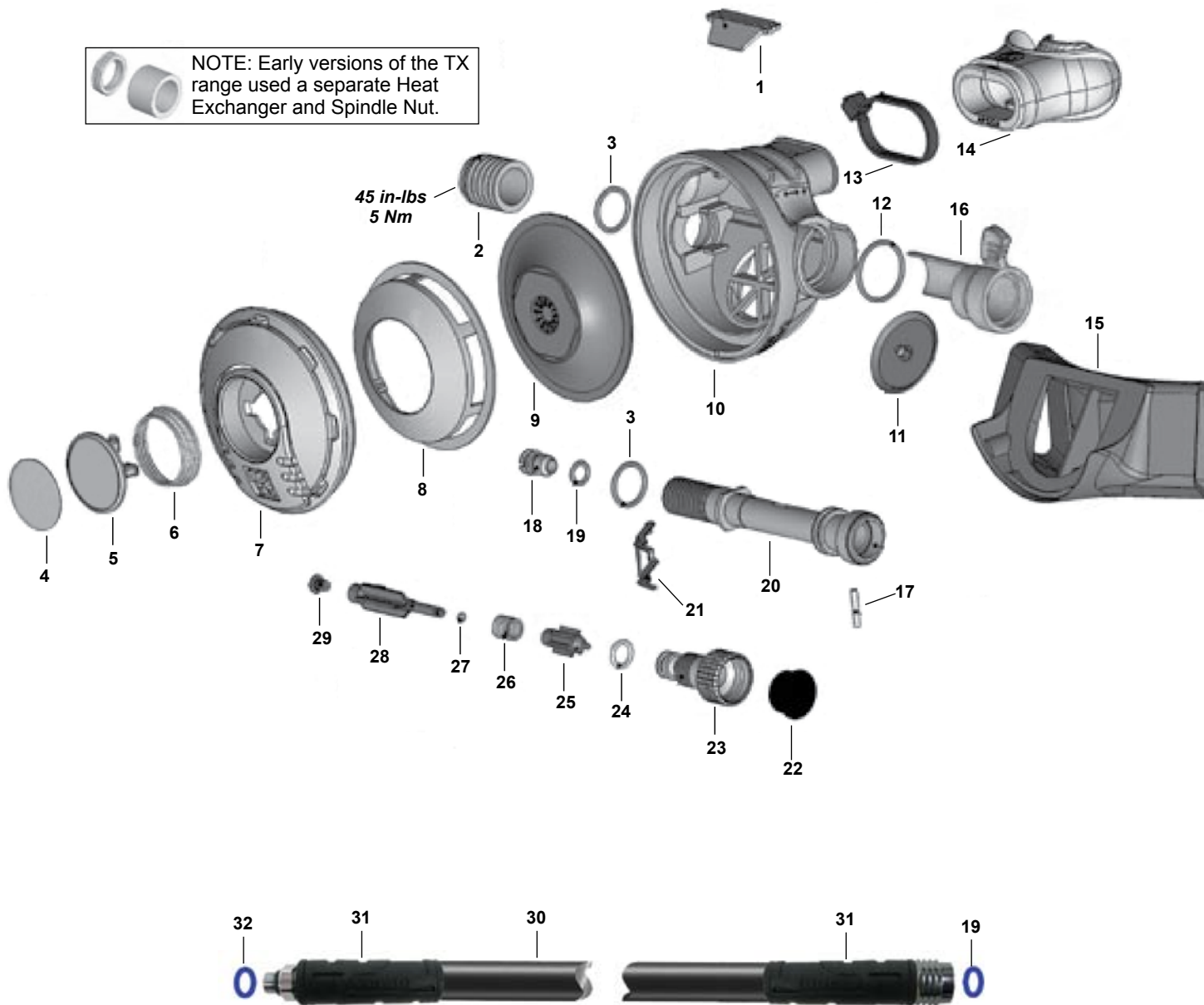
15----	AP2029-1	Adjusting Screw
16----	AP1409P	O-ring (10 pk)
17----	AP2038	Counter Balance Cylinder
18----	AP2021	Spring
19----	AP2041P	O-ring (10 pk)
20----	AP2036	Shuttle Valve
21----	AP2034	MP Seat
22----	AP2028	Valve Spindle
23----	AP1154P	O-ring (10 pk)
24----	AP2033	Seat
25----	AP2035	Lever
26----	AP1151	Spring Pin
27----	AP1429	Exhaust Valve
28----	AP5801	Cover, Exhaust Valve
-----	AP5801/Y	Cover, Exhaust Valve, Yellow
29----	AP0203	Hose, MP, 1/2" X 29"
-----	AP0203/1	Hose, MP, 3/8" X 29"
-----	AP0206	Hose, MP, Octopus, Yellow, 3/8" X36"
30----	AP1461	Hose Protector, Black (Std.Hose)
-----	AP1461Y	Hose Protector, Yellow (Std.Hose)
N/S----	AP1410P	O-ring, Hose End, Male 1/2" (10 pk)

Part numbers in **BOLD ITALICS** indicate standard overhaul replacement part.

TX50

2001-Present (Military Only)

NOTE: Early versions of the TX range used a separate Heat Exchanger and Spindle Nut.

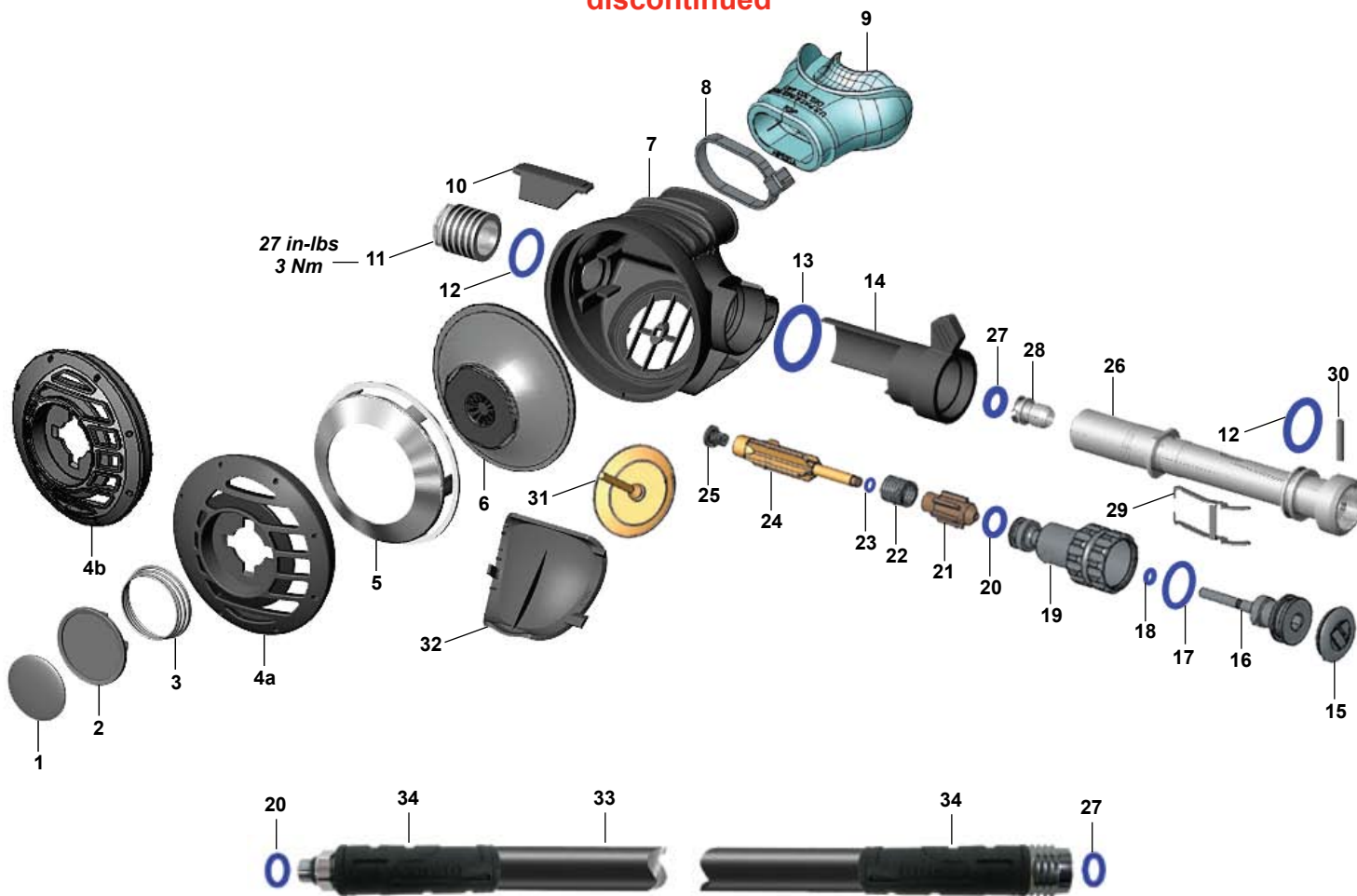


Key #	Part #	Description
----	AP0510SQ	TX50, Second Stage w/ 1/2" Hose
----	AP0219/AA	Universal Second Stage Repair Kit
1----	AP2037	Deflector
2----	AP5002	Heat Exchanger, TX50
3----	AP1267P	O-Ring (10 pk)
4----	AP5015	Decal, Apeks
5----	AP2053	Purge Button
6----	AP2020	Spring
7----	AP2026	Case Cover, TX50
----	AP2026/Y	Case Cover, Yellow, Octopus or Nitrox
8----	AP2025	Diaphragm Cover
9----	AP2023	Diaphragm
10----	AP5001	Case
11----	AP1429	Exhaust Valve
12----	AP1438P	O-Ring (10 pk)
13----	104913	Mouthpiece Clamp
14----	AP5324K	Mouthpiece, Comfobite

Key #	Part #	Description
15----	AP2040	Exhaust Tee
16----	AP2039	Venturi Lever, TX50
17----	AP1151	Spring Pin
18----	AP2033	Seat
19----	AP1154P	O-Ring (10 pk)
20----	AP2028	Valve Spindle, TX50
21----	AP2035	Lever
22----	AP2030	Plug
23----	AP2029	Adjusting Screw, TX50
24----	AP1409P	O-Ring (10 pk)
25----	AP2038	Counter Balance Cylinder
26----	AP2021	Valve Spring
27----	AP2041P	O-Ring (10 pk)
28----	AP2036	Shuttle Valve
29----	AP2034	MP Seat
30----	AP0203	Hose, MP, 1/2" X 29"
31----	AP1461	Hose Protector, Black (Std.Hose)
32----	AP1410P	O-ring, Hose End. Male 1/2" (10 pk)

Part numbers in **BOLD ITALICS** indicate standard overhaul replacement part.

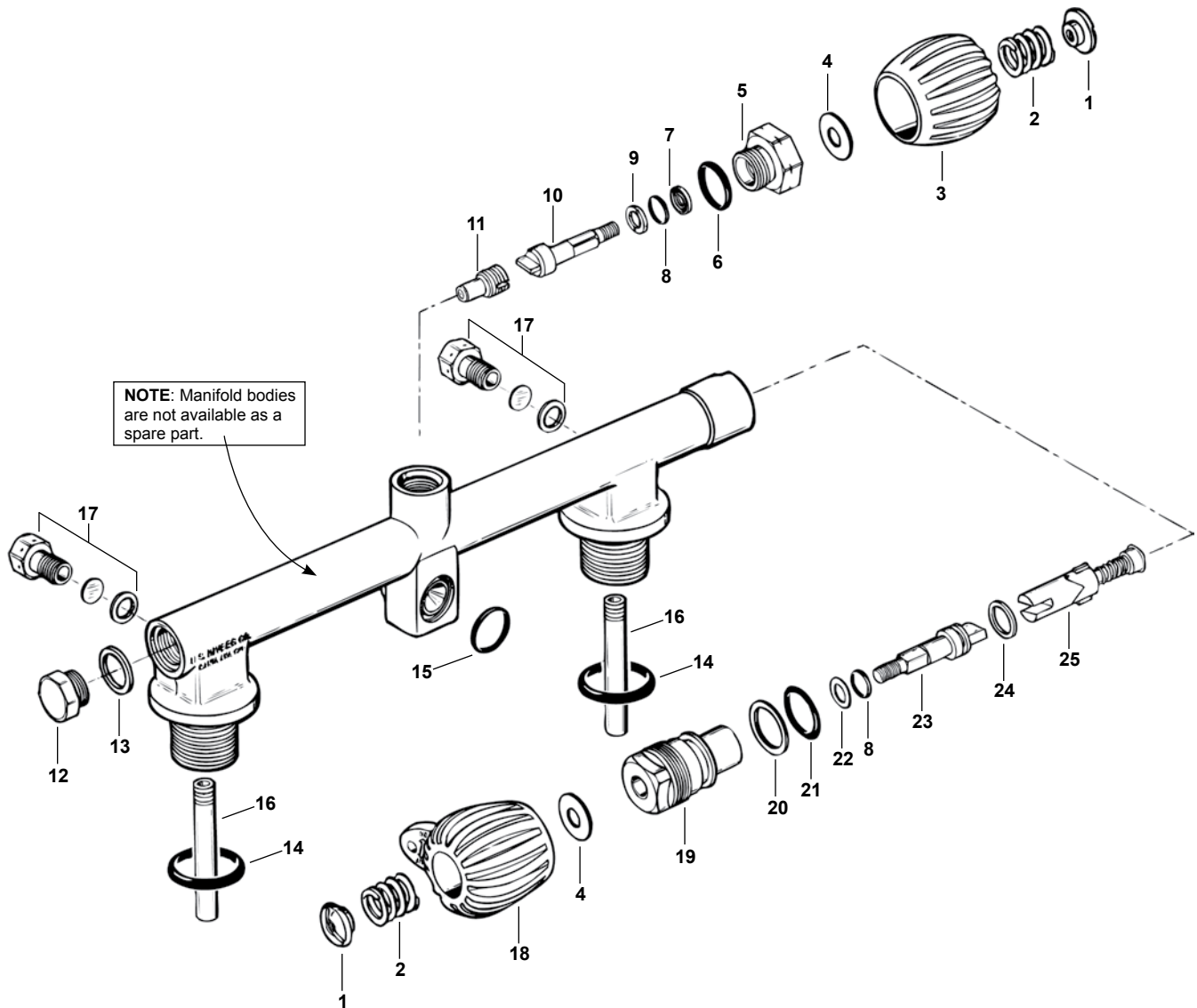
**ATX Tungsten 2006-2008 • ATX200 2002-2006 • ATX100 2004-2006
ATX50 • ATX50 Octopus 2002-2007
discontinued**



Key #	Part #	Description	Key #	Part #	Description
	AP0219/AA	Universal Second Stage Repair Kit	16	AP6578	Spring Adjuster
1	AP5819	Decal, ATX200	17	AP1159P	O-ring (10 pk)
	NLA	Decal, ATX100	18	AP5711P	O-ring (10 pk)
	AP5015	Decal, Apeks	19	AP6577PVDS	Adjusting Knob, PVD, Tungsten
	NLA	Decal, Tungsten		AP6577/S	Adjusting Knob, ATX200/ATX100
2	AP5805	Purge Button		AP6577	Adjusting Knob, ATX50
3	AP2020	Spring	20	AP1409P	O-ring (10 pk)
4a	AP5804	Case Cover, ATX200/ATX100	21	AP2038	Counter Balance Cylinder
	AP5807	Case Cover, ATX50	22	AP2021	Spring
	AP5807/Y	Case Cover, ATX50 Octopus, Yellow	23	AP2041P	O-ring (10 pk)
4b	AP0574	Case Cover, Tungsten	24	AP2036	Shuttle Valve
5	AP5802/C	Diaphragm Cover, Tungsten/ATX200/ATX100	25	AP2034	MP Seat
	AP5802	Diaphragm Cover, ATX50	26	AP2028/S	Valve Spindle, ATX200/ATX100
6	AP5803	Diaphragm		AP2028	Valve Spindle, Tungsten/ATX50
7	AP5800	Case	27	AP1154P	O-ring (10 pk)
8	104913	Mouthpiece Clamp	28	AP2033	Seat
9	AP5324K	Mouthpiece, Comfobite	29	AP2035	Lever
	104138	Mouthpiece, Standard, Octopus	30	AP1151	Spring Pin
10	AP2037	Deflector	31	AP1429	Exhaust Valve
11	AP5013PVDS	Heat Exchanger, PVD, Tungsten	32	AP5801	Cover, Exhaust Valve
	AP5013/S	Heat Exchanger, ATX200/ATX100		AP5801GREY	Cover, Exhaust Valve, Grey, Tungsten
	AP5002	Heat Exchanger, ATX50		AP5801/Y	Cover, Exhaust Valve, Yellow
12	AP1267P	O-ring (10 pk)	33	AP0203	Hose, MP, 1/2" X 29"
13	AP1438P	O-ring (10 pk)		AP0203/S	Hose, MP, Satin, 1/2" X 29"
14	AP2039	Venturi Lever		AP0206	Hose, MP, Octopus, Yellow, 3/8" X 36"
	AP2039/Y	Venturi Lever, Yellow, ATX50 Octopus	34	AP1461	Hose Protector, Black
15	AP5830	Plug		AP1461Y	Hose Protector, Yellow
			N/S	AP1410P	O-ring, Hose End Male 1/2" (10 pk)

Part numbers in **BOLD ITALICS** indicate standard overhaul replacement part.

Twin Tank Manifold w/Reserve (Military Only)



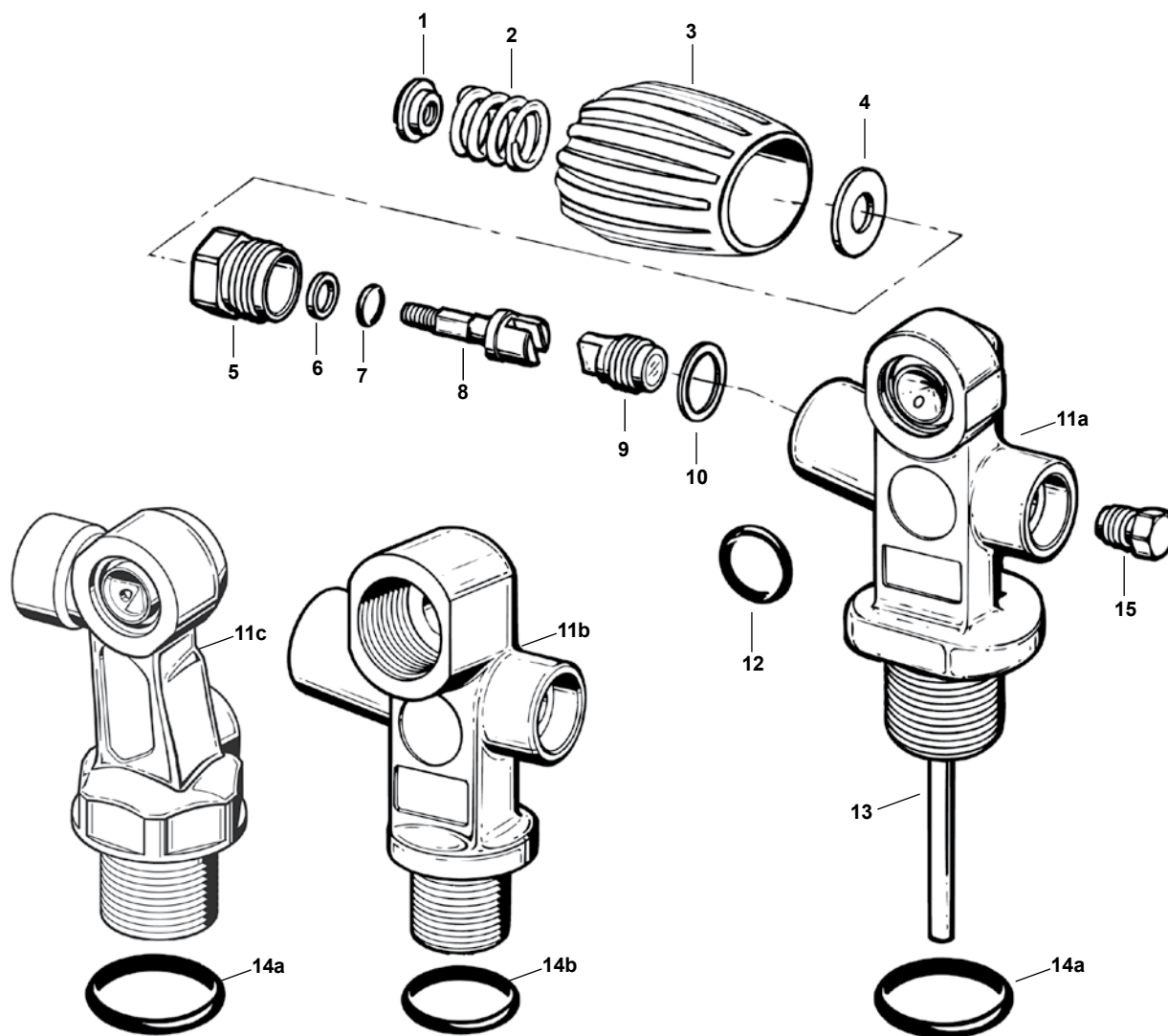
Key #	Part #	Description
-----	280000	Twin Manifold, 3000 psi
1----	052518	Nut, Handle Retaining
2----	050107	Spring
3----	052541	Handwheel
4----	845058	Washer
5----	050233	Bonnet
6----	957007P	O-ring (10 pk)
7----	828510	Back-up Ring
8----	820010P	O-ring (25 pk)
9----	921019	Gasket
10----	052521	Stem, K-Valve
11----	280013	Seat, Std. Twin
12----	050221	Plug
13----	821011	Gasket

Key #	Part #	Description
14----	820214P	O-ring (10 pk)
15----	820120P	O-ring (10 pk)
16----	051821	Dip Tube
17----	050241	Safety Disc Assembly, 3000 psi
-----	050242	Safety Disc Assembly, 2250 psi
18----	280040	Handwheel, Reserve
19----	052515	Bonnet
20----	828515	Back-up Ring
21----	820015P	O-ring (10 pk)
22----	821014	Gasket
23----	052514	Stem, J-Valve
24----	845021	Washer
25----	052508	Reserve Assembly
N/S----	074305	Reserve Pull Rod

Part numbers in **BOLD ITALICS** indicate standard overhaul replacement part.

K-Valve • DIN Valve • Z-Valve Air • (by Thermo)

Discontinued

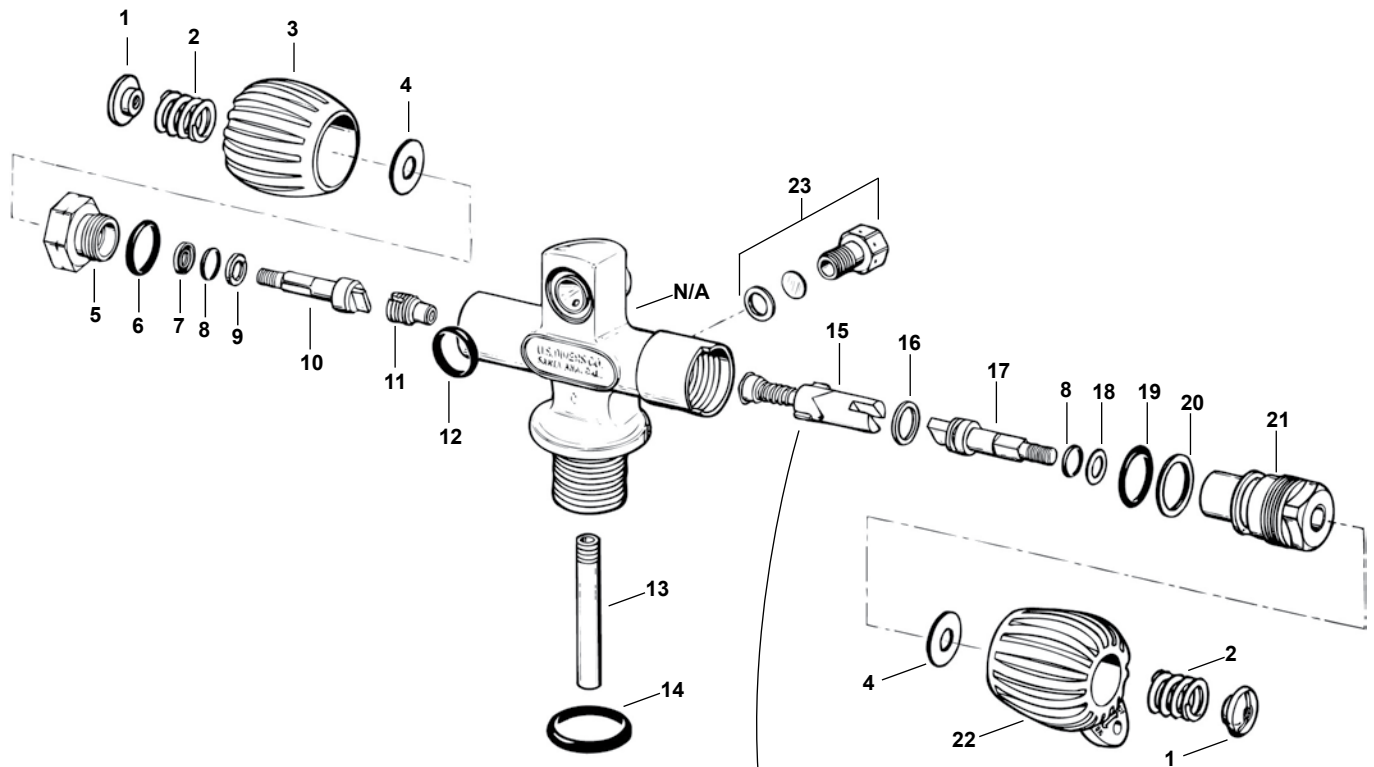


Key #	Part #	Description
-----	5240-KIT	Service Kit, K- or Z-Valve, 3000 psi Only
1----	054207	Nut, Handwheel Retaining
2----	054209	Spring, Handwheel
3----	52406A	Handwheel
4----	054212	Washer
5----	054204	Bonnet
6----	054205	Washer, Packing
7----	820010P	O-ring, Stem (25 pk)
8----	054208	Stem
9----	054203	Seat Assembly
10----	054216	Gasket, Bonnet
11a---	NLA	Body, K-Valve

Key #	Part #	Description
11b---	NLA	Body, DIN Valve
11c---	NLA	Body, Z-Valve
12----	820014P	O-ring, Outlet (25 pk)
13----	054215	Dip Tube
14a---	820214P	O-ring, K-Valve (10 pk)
14b---	054114	O-ring, DIN Valve
15----	054201	Safety Plug Kit, 3,000 psi (Aluminum)
	-----	054261
	-----	054221
	-----	054211
N/S---	42485	Dust Cap, K-Valve
N/S---	054228	Dust Cap, Z-Valve

Part numbers in **BOLD ITALICS** indicate standard overhaul replacement part.

J-Valve (Military Only)



NOTE: Reserve Assembly (PN 052548) is to be used on valves which have "Japan" stamped on the base of the valve body. If replacement of the reserve assembly is required, do not use the 052508 reserve assembly in valves stamped with "Japan". The 052548 reserve assembly is dyed red to differentiate between the reserve assemblies.

Key #	Part #	Description
----	054500	J-Valve (3000 psi)
1----	052518	Nut, Handle Retaining
2----	050107	Spring
3----	052541	Handwheel
4----	845058	Washer
5----	050233	Bonnet, Left Handed Thread
----	050216	Bonnet, Right Handed Thread
6----	957007P	O-ring (10 pk)
7----	828510	Back-up ring
8----	820010P	O-ring (25 pk)
9----	921019	Thrust Washer
10----	052521	Stem
11----	052519	Seat
12----	820120P	O-ring (10 pk)
13----	051821	Dip Tube

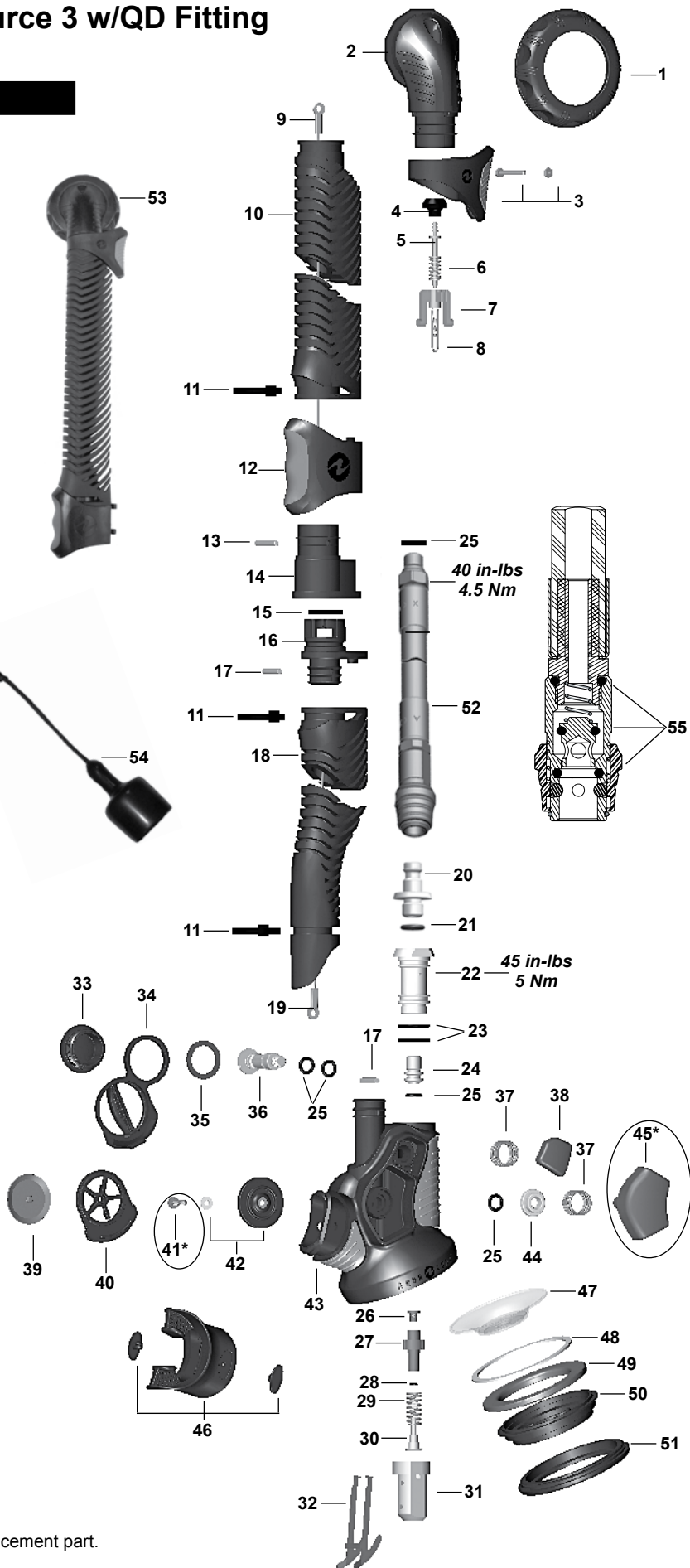
Key #	Part #	Description
14----	820214P	O-ring (10 pk)
15----	052508	Reserve Assembly
----	052548	Reserve Assembly, Red (SEE NOTE)
16----	845021	Washer
17----	052514	Stem, Reserve
18----	821014	Gasket
19----	820015P	O-ring (10 pk)
20----	828515	Back-up Ring
21----	214204	Bonnet
22----	052540	Handwheel, Reserve
23----	050241	Safety Disc Assembly, 3000 psi
----	050242	Safety Disc Assembly, 2250 psi
N/S	074305	Reserve Pull Rod

Part numbers in **BOLD ITALICS** indicate standard overhaul replacement part.

Airsource 3 w/QD Fitting

Key # Part # Description

-----	900021	Overhaul Parts Kit, Airsource 3
1----	15763	Collar
2----	15161	Elbow
3----	15281	Clip, Nut & Screw, Charcoal
-----	15179	Clip, Nut & Screw, Grey
4----	778559	Poppet, Dump Valve
5----	15164	Stem, Poppet
6----	15215	Spring, Pull Dump, S/S
7----	15162	Guide, Poppet
8----	15178	Hook, Inflator Cable
9----	15163	Cable, Upper 7.6"
10----	15170	Hose, Upper
11----	15719	Clamp
12----	15174	Trim-Grip, Ring
13----	15172	Pin
14----	15173	Trim-Grip, Top
15----	820018P	O-ring (20 pk)
16----	15175	Trim-Grip, Bottom
17----	15177	Pin
18----	15171	Hose, Lower
19----	15176	Cable, Lower, 6.4"
20----	15203	QD Fitting
21----	820011P	O-ring (25 pk)
22----	15196	Inlet Fitting
23----	820015P	O-ring (10 pk)
24----	15220	Crown
25----	820010P	O-ring (25 pk)
26----	15221	MP Seat
27----	15222	Shuttle Valve
28----	15234	O-ring
29----	15223	Spring
30----	15224	Spring Carrier
31----	15201	Valve Spindle
32----	15202	Lever
33----	15190	Cap
34----	15211	Cover, Exhaust Valve
35----	15189	Gasket
36----	15188	Push rod
37----	15187	Spring
38----	15186	Button, PI
39----	15115	Valve, Exhaust
40----	15210	Support, Exhaust Valve
41----	15204	Screw*
42----	15197	Oral Seal Kit
43----	15181	Body
44----	15185	Plate
45----	15241	OI Button w/Screw*
46----	15214	Mouthpiece w/ Pins
47----	15225	Diaphragm
48----	15227	Washer
49----	15228	Retainer, Diaphragm
50----	15205	Cover, Purge
51----	15207	Retainer, Purge
52----	25455	Hose, QD, 3/8" x 27"
53----	15240	Upper Hose Assembly
54----	15226	Dust Cap, for Bottom Trim Grip
55----	42639	O-ring Kit, Airsource QD Hose



***NOTE:** A change has been made to the screw (41) that threads into the OI Button (45). A replacement OI Button and a new screw will be temporarily included in the Overhaul Parts Kit and both parts should be installed during overhaul.

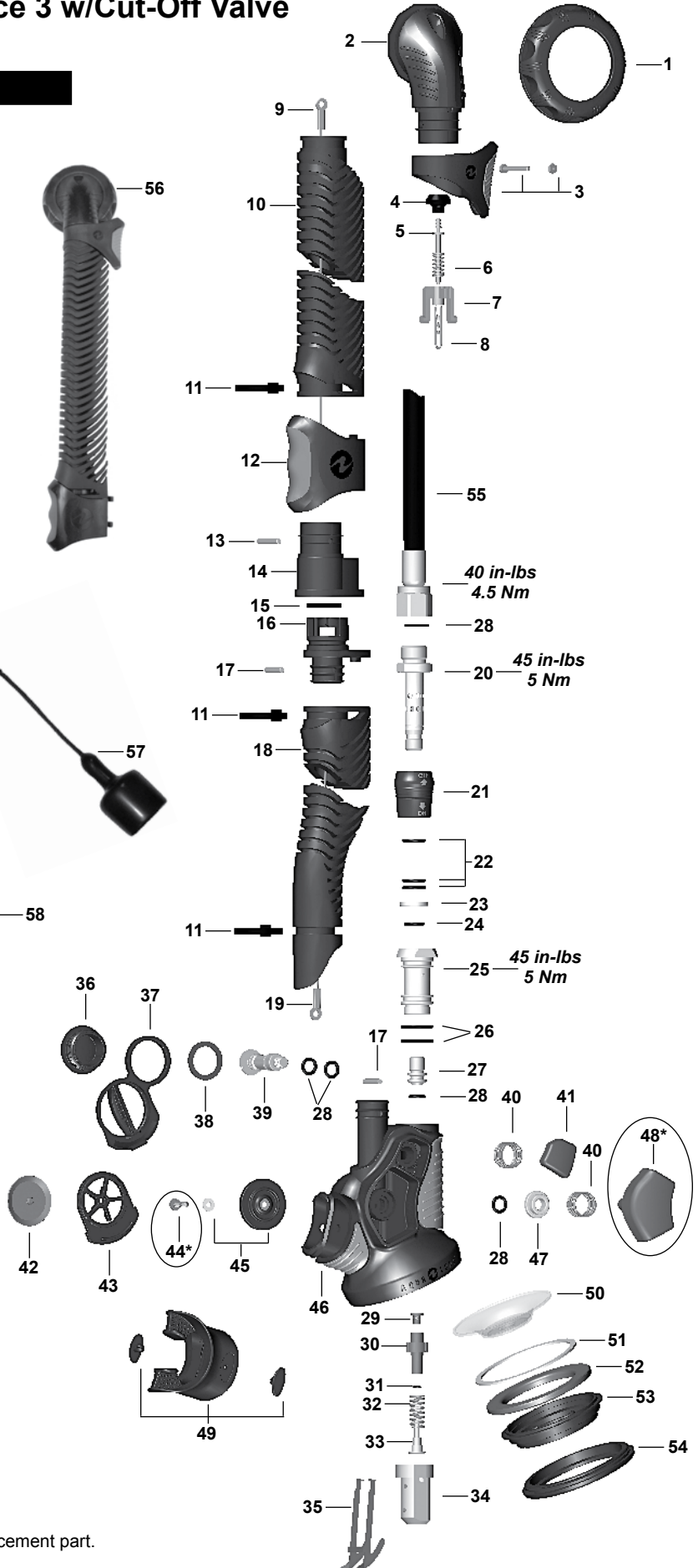
Part numbers in **BOLD ITALICS** indicate standard overhaul replacement part.

Airsource 3 w/Cut-Off Valve

Key # Part # Description

----- 900021 Overhaul Parts Kit, Airsource 3

1----	15763	Collar
2----	15161	Elbow
3----	15179	Clip, Nut & Screw
4----	778559	Poppet, Dump Valve
5----	15164	Stem, Poppet
6----	15215	Spring, Pull Dump, S/S
7----	15162	Guide, Poppet
8----	15178	Hook, Inflator Cable
9----	15163	Cable, Upper 7.6"
10----	15170	Hose, Upper
11----	15719	Clamp
12----	15174	Trim-Grip, Ring
13----	15172	Pin
14----	15173	Trim-Grip, Top
15----	820018P	O-ring (20 pk)
16----	15175	Trim-Grip, Bottom
17----	15177	Pin
18----	15171	Hose, Lower
19----	15176	Cable, Lower, 6.4"
20----	15193	Fitting, Cut-Off Valve
21----	15194	Barrel, Cut-Off Valve
22----	820312P	O-ring (10 pk)
23----	15195	Washer
24----	820011P	O-ring (25 pk)
25----	15196	Inlet Fitting
26----	820015P	O-ring (10 pk)
27----	15220	Crown
28----	820010P	O-ring (25 pk)
29----	15221	MP Seat
30----	15222	Shuttle Valve
31----	15234	O-ring
32----	15223	Spring
33----	15224	Spring Carrier
34----	15201	Valve Spindle
35----	15202	Lever
36----	15190	Cap
37----	15211	Cover, Exhaust Valve
38----	15189	Gasket
39----	15188	Push rod
40----	15187	Spring
41----	15186	Button, PI
42----	15115	Valve, Exhaust
43----	15210	Support, Exhaust Valve
44----	15204	Screw*
45----	15197	Oral Seal Kit
46----	15181	Body
47----	15185	Plate
48----	15241	OI Button w/Screw*
49----	15214	Mouthpiece w/ Pins
50----	15225	Diaphragm
51----	15227	Washer
52----	15228	Retainer, Diaphragm
53----	15205	Cover, Purge
54----	15207	Retainer, Purge
55----	15191	Hose, MP 3/8" x 25"
56----	15240	Upper Hose Assembly
57----	15226	Dust Cap, for Bottom Trim Grip
58----	15140	Airsource QD Conversion Kit



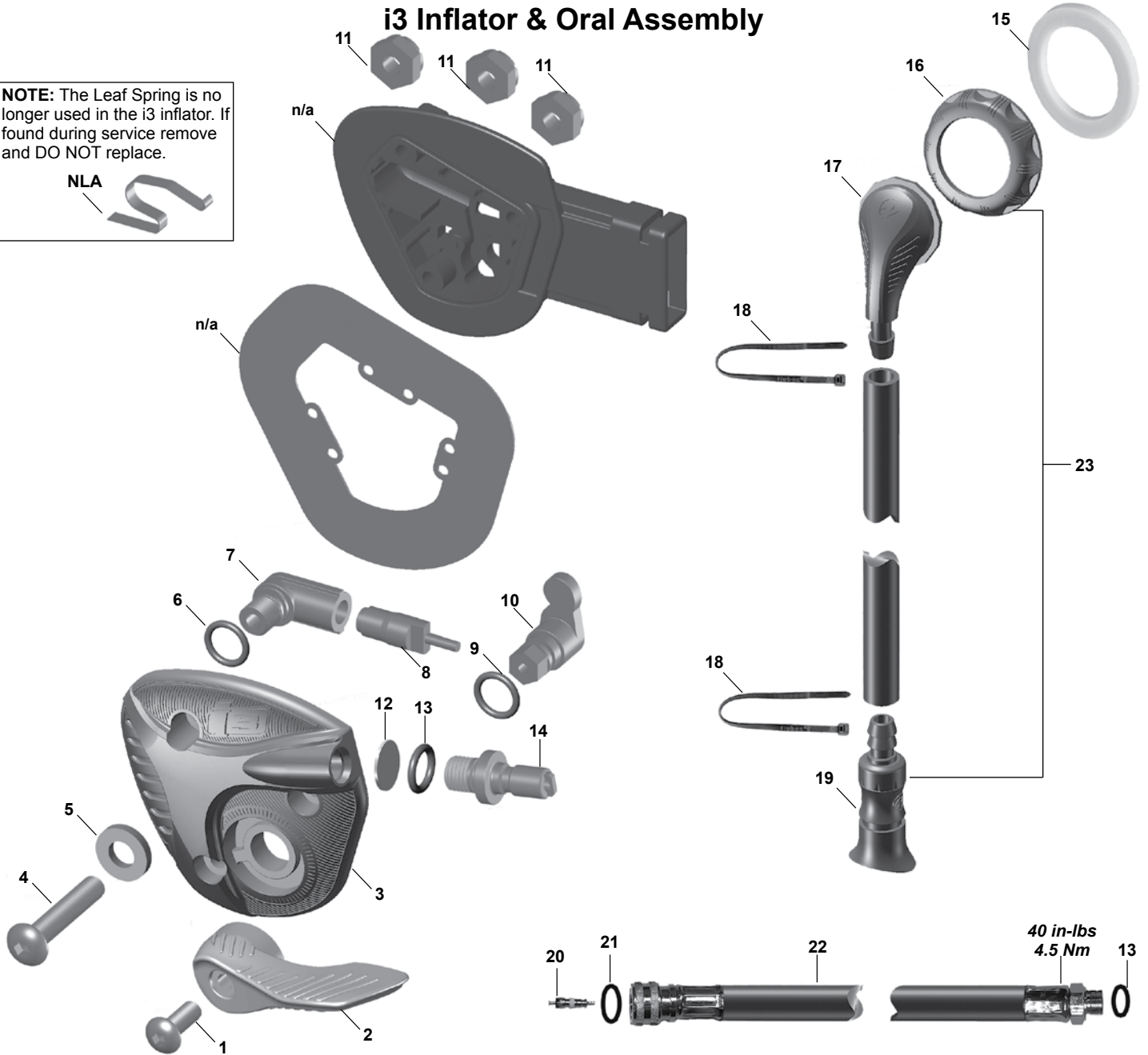
***NOTE:** A change has been made to the screw (44) that threads into the OI Button (48). A replacement OI Button and a new screw will be temporarily included in the Overhaul Parts Kit and both parts should be installed during overhaul.



Part numbers in **BOLD ITALICS** indicate standard overhaul replacement part.

i3 Inflator & Oral Assembly

NOTE: The Leaf Spring is no longer used in the i3 inflator. If found during service remove and DO NOT replace.

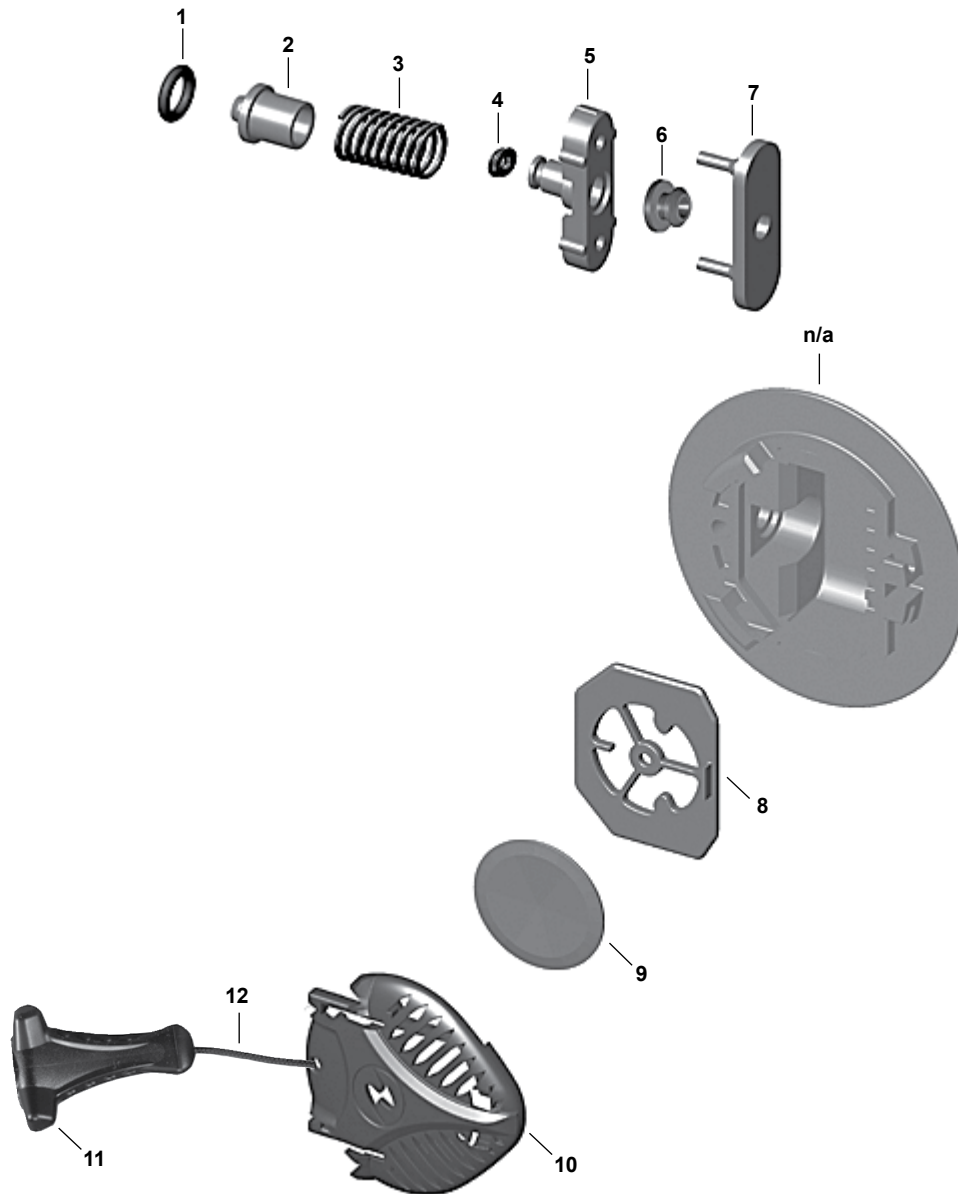


Key #	Part #	Description
-----	900020	Service Kit, i3 Inflator
1----	15424	Screw, 10-32X.5
2----	15414	Handle, i3 Inflator, Red
-----	15433	Handle, i3 Inflator, Pink
-----	15434	Handle, i3 Inflator, Grey
-----	15435	Handle, i3 Inflator, Aqua
3----	15412	Body Out with Labels, i3 Inflator
-----	15436	Body Out with Grey Labels, i3 Inflator
4----	15423	Screw, 10-32X1
5----	15426	Washer, Screw Seal
6----	820010P	O-ring (25 pk)
7----	15417	Valve Retainer, Elbow
8----	15504	Valve Core
9----	15445P	Quad-ring (10 pk)
10----	15415	Lever, i3 Inflator
11----	15425	Nut, Nylock, 10-32
12----	15628	Powerline Filter

Key #	Part #	Description
13----	820011P	O-ring (25 pk)
14----	090018	Quick Disconnect Plug with O-ring
15----	15309	Gasket
16----	15763	Collar
17----	15427	Elbow
18----	15719	Clamp
19----	15429	Mouthpiece/Valve, Oral Inflator Asssy
20----	778564	Valve Core
21----	820043P	O-ring (10 pk)
22----	44827	MP Inflator Hose, 27" (SM)
-----	44833	MP Inflator Hose, 33" (M, ML, L)
-----	44836	MP Inflator Hose, 36" (XL)
-----	44840	MP Inflator Hose, 40" (XXL)
23----	42773	i3 Oral Inflator, Complete (items 16-19)

Part numbers in **BOLD ITALICS** indicate standard overhaul replacement part.

Flat E-Valve

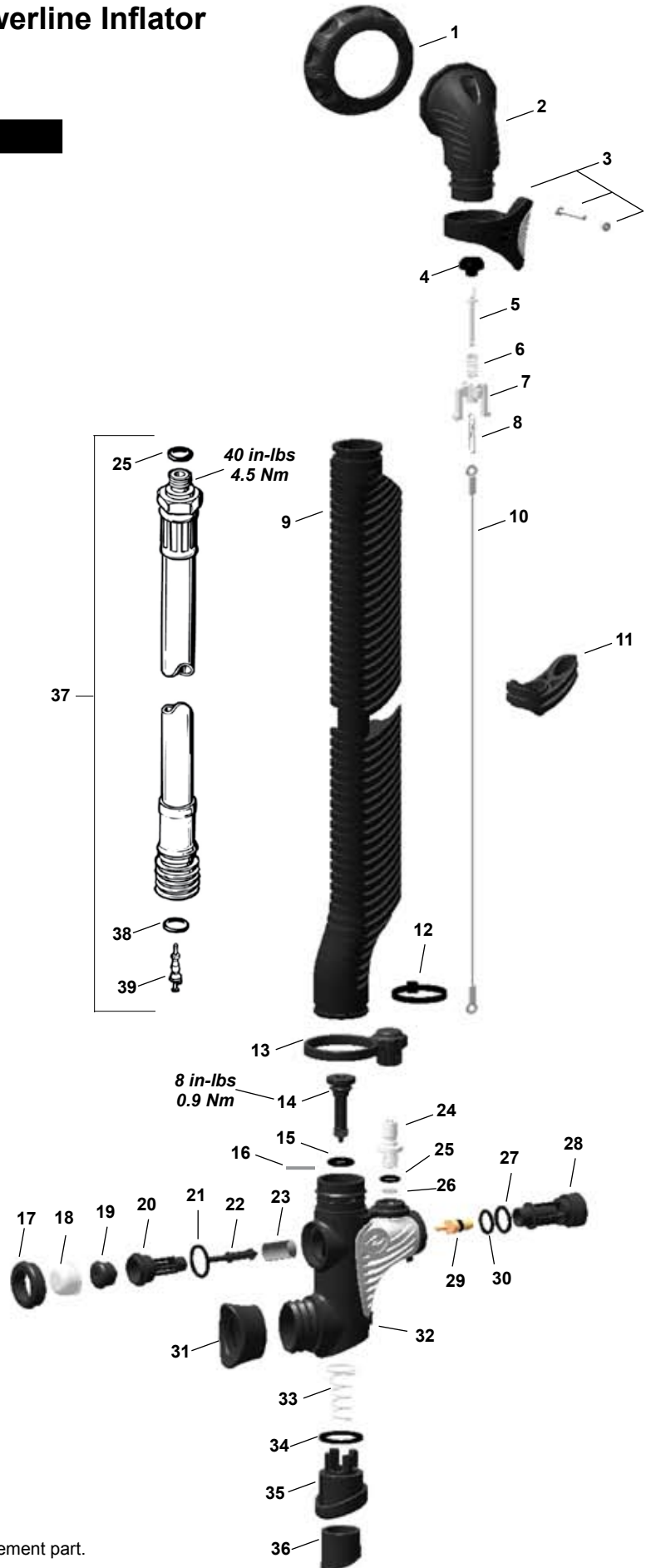


Key #	Part #	Description
1	820010P	O-ring (25 pk)
2	15404	Seal, Cylinder, Black
3	15407	Spring, S/S
4	15408P	Quad Ring (10 pk)
5	15401	Plate, Seal, Black
6	15402	Plug, Cord Hole
7	15406	Seal, Gray
8	15403	Plate, Valve, Blk
9	15115	Valve, Exhaust, Red
10	15405	Cap, Blk
11	12277	Pull Knob
12	42738	Pull Dump Cord (25')

Part numbers in **BOLD ITALICS** indicate standard overhaul replacement part.

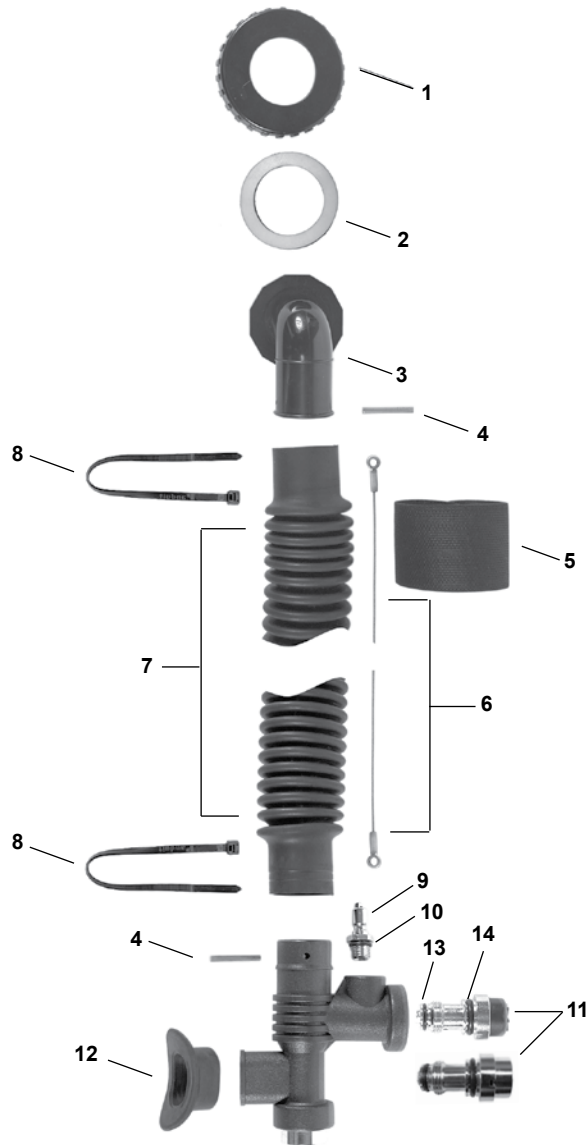
Powerline Inflator

Key #	Part #	Description
----	42810	Powerline Airway, Charcoal, Complete
----	42800	Powerline Airway, Grey, Complete
----	15280	Powerline, Lower Unit, Charcoal
----	15270	Powerline, Lower Unit, Grey
----	42609	Service Kit, Powerline Inflator
1----	15763	Collar
2----	15161	Elbow
3----	15281	Clip, Nut & Screw, Charcoal
----	15179	Clip, Nut & Screw, Grey
4----	778559	Poppet, Dump Valve
5----	15164	Poppet Stem
6----	15215	Spring
7----	15162	Poppet Guide
8----	15178	Cable Hook
9----	15261	Molded Hose
10----	15724	Cable
11----	15262	Hose Clip
12----	15719	Clamp
13----	15029	QD Fitting Cover
14----	15736	Oral Valve Poppet
15----	820092	O-ring
16----	15610	Cable Pin
17----	15746	Bezel
18----	15100	Button Cover, Gray
19----	15747	Button
20----	15749	Push Rod Housing
21----	820016P	O-ring (10 pk)
22----	15743	Push Rod
23----	15720	Filter Screen
24----	090018	Quick Disconnect Plug w/ O-ring
25----	820011P	O-ring (25 pk)
26----	15628	Filter
27----	820014P	O-ring (25 pk)
28----	15744	Valve Retainer
29----	15504	Valve Core
30----	957025P	O-ring (10 pk)
31----	15741	Mouthpiece
32----	15283	Body, Charcoal
----	15260	Body, Grey
33----	15709	Spring
34----	15718	Gasket
35----	15742	Oral Button
36----	15745	Molded Insert
37----	44822	MP Inflator Hose, 3/8 x 22" Black
----	44825	MP Inflator Hose, 3/8 x 25" Black
----	44827	MP Inflator Hose, 3/8 x 27" Black
----	44833	MP Inflator Hose, 3/8 x 33" Black
38----	820043P	O-ring (10 pk)
39----	778564	Valve Core



Part numbers in **BOLD ITALICS** indicate standard overhaul replacement part.

Apeks Inflator



Key #	Part #	Description
----	42772	Airway, Complete
----	15755	Lower Inflator Assembly, Apeks
1----	15706	Collar
2----	15309	Gasket
3----	15304	Elbow
4----	15610	Retaining Pin
5----	42783	Retainer Loop
6----	15757	Cable Assembly
7----	15756	Corrugated Hose
8----	15719	Clamp
9----	15758	Quick Disconnect Fitting w/O-ring
10----	820311P	O-ring (10 pk)
11----	15717	Valve Module w/Brass Button
----	15761	Valve Module w/Plastic Button
12----	15759	Mouthpiece
13----	820312P	O-ring (10 pk)
14----	820120P	O-ring (10 pk)

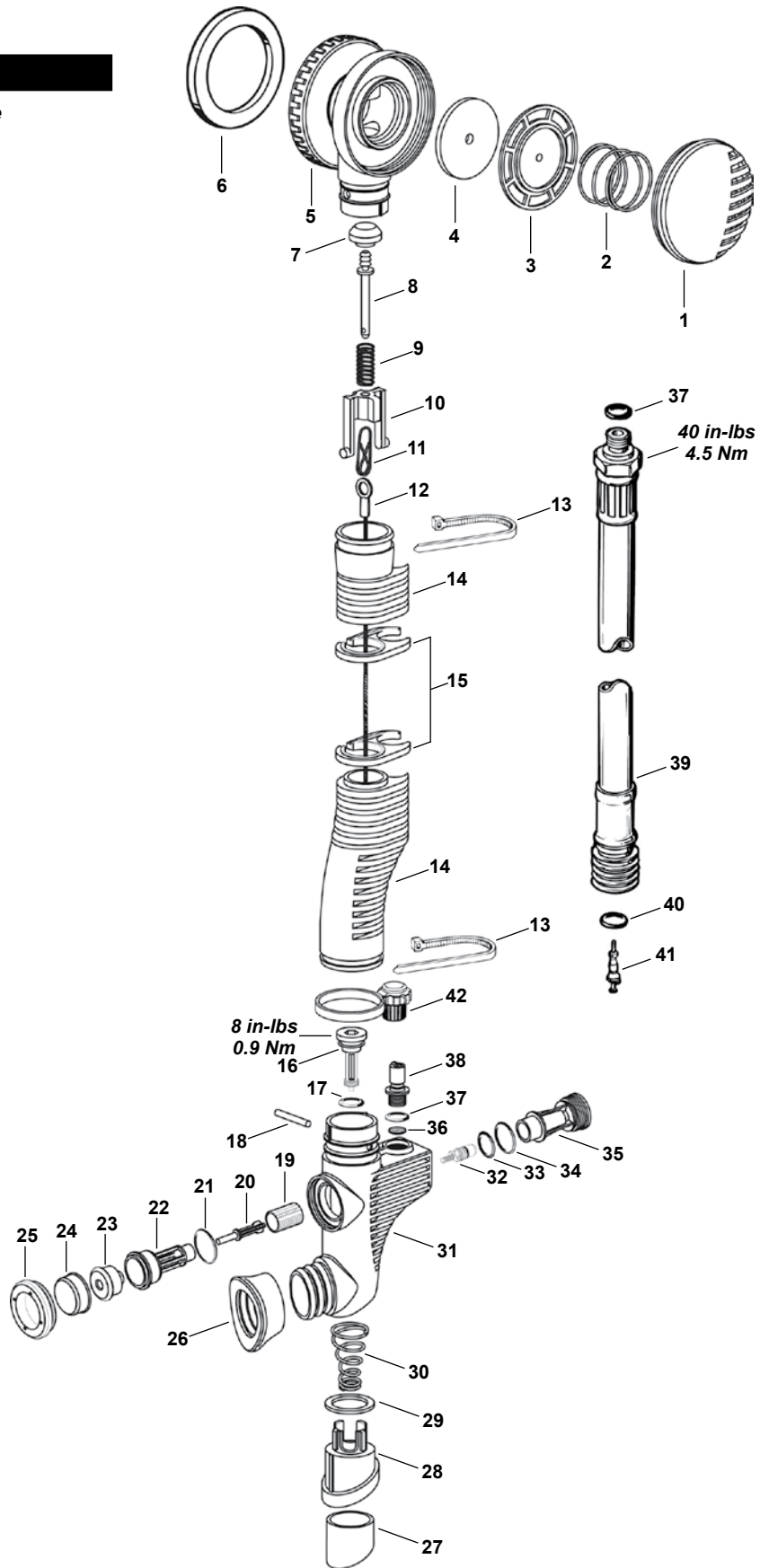
Part numbers in **BOLD ITALICS** indicate standard overhaul replacement part.

Powerline Inflator w/ Dual Valve

discontinued

Key # Part # Description

----	42609	Service Kit, Pwr Inf. w/ Dual Valve
1----	NLA	Cap
2----	NLA	Overpressure Spring
3----	NLA	Valve Plate
4----	15714	Seal
5----	NLA	Body, Dual Valve
6----	15309	Gasket
7----	778559	Dump Plug
8----	15164	Poppet Stem
9----	15901	Dump Spring
10----	15649	Poppet Guide
11----	15652	Cable Hook
12----	15724	Cable Assembly
13----	15719	Clamp
14----	NLA	Ribbed Hose
15----	15735	Hose Clip
16----	15736	Poppet, Oral Valve
17----	820092	O-ring
18----	15610	Cable Pin
19----	15720	Filter Screen
20----	15743	Push Rod
21----	820016P	O-ring (10 pk)
22----	15749	Push Rod Housing
23----	15747	Button
24----	15100	Button Cover, Gray
25----	15746	Bezel
26----	15741	Mouthpiece
27----	15745	Molded Insert
28----	15742	Oral Button
29----	15718	Gasket
30----	15709	Oral Valve Spring
31----	NLA	Body
32----	15504	Valve Core
33----	957025P	O-ring (10 pk)
34----	820014P	O-ring (25 pk)
35----	15744	Valve Retainer
36----	15628	Filter
37----	820011P	O-ring (25 pk)
38----	090018	Quick Disconnect Plug w/ O-ring
39----	44822	LP Inflator Hose, 22"
----	44825	LP Inflator Hose, 25"
----	44827	LP Inflator Hose, 27"
----	44833	LP Inflator Hose, 33"
40----	820043P	O-ring (10 pk)
41----	778564	Valve Core
42----	15029	QD Fitting Cover



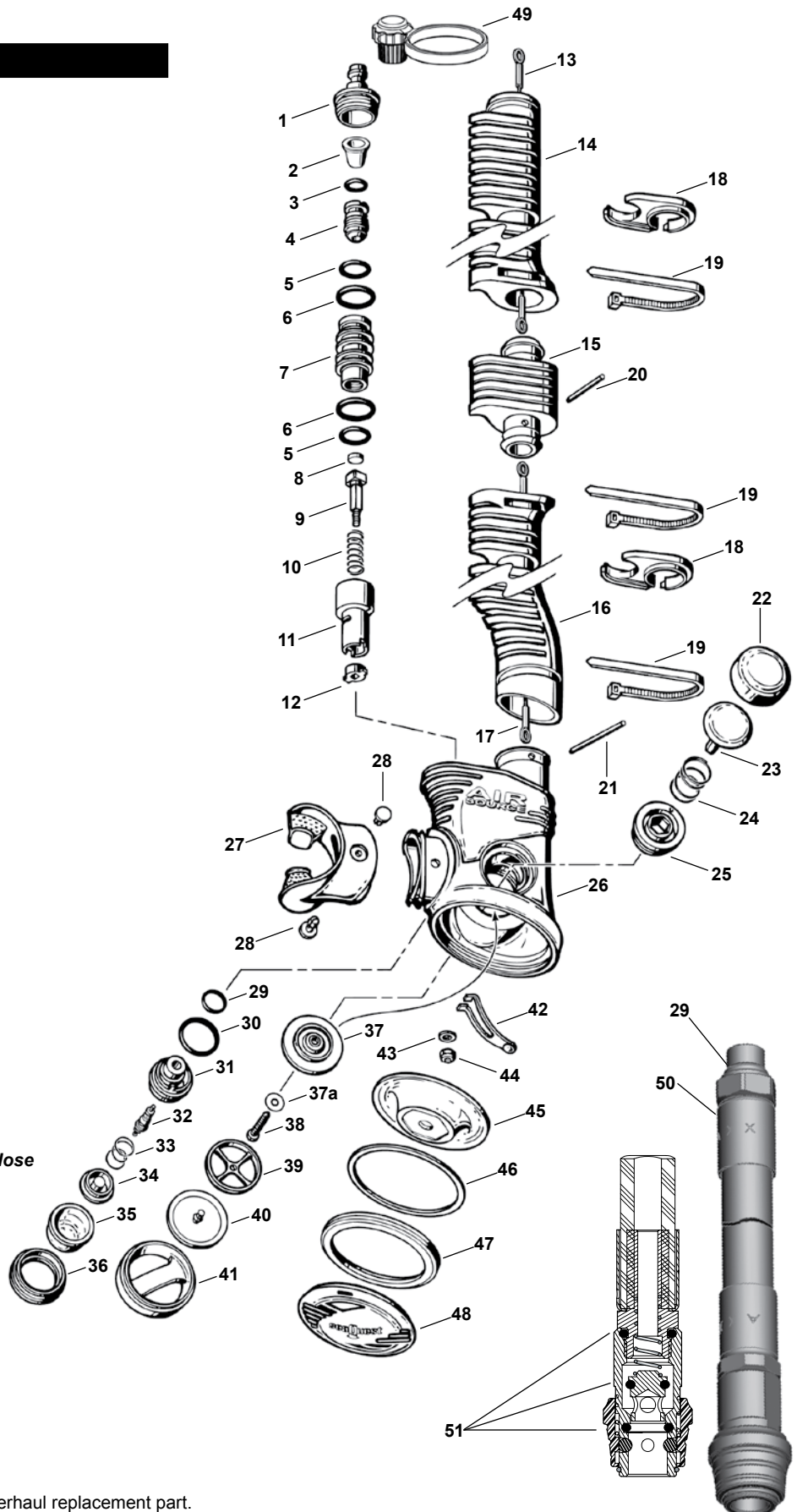
Part numbers in **BOLD ITALICS** indicate standard overhaul replacement part.

Air Source 2

discontinued

Key #	Part #	Description
-------	--------	-------------

-----	42608	Service Kit, Airsource 2
1 ---	NLA	Quick disconnect fitting
2 ---	15055	Sintered Filter
3 ---	820010P	O-ring (25 pk)
4 ---	15026	Crown
5 ---	820013P	O-ring (10 pk)
6 ---	820120P	O-ring (10 pk)
7 ---	15089	Crown Housing
8 ---	15027	Poppet Seat
9 ---	15103	Poppet
10 ---	15110	Poppet Spring
11 ---	15113	Poppet Housing
12 ---	15049	Poppet Guide
13 ---	15118	Upper Cable
14 ---	15096	Spiral Hose, 8"
15 ---	15090	Trim Grip
16 ---	15098	Spiral Hose, 6"
17 ---	15117	Lower Cable
18 ---	15735	Hose Clip
19 ---	15719	Clamp
20 ---	15106	Pin, 0.71
21 ---	15610	Pin, 1.0
22 ---	15099	Oral Button Cover
23 ---	15083	Oral Poppet
24 ---	15095	Oral Spring
25 ---	15093	Oral Bezel
26 ---	15094	Body
27 ---	42802	Mouthpiece
28 ---	15104	Mouthpiece Retainer
29 ---	820011P	O-ring (25 pk)
30 ---	820016P	O-ring (10 pk)
31 ---	15092	Valve Retainer
32 ---	778564	Valve Core
33 ---	15112	Spring
34 ---	15081	Inflator Button
35 ---	15100	Inflator Button Cover, Gray
36 ---	15080	Inflator Bezel
37 ---	42641	Oral Seal Kit
37a ---	NLA	Oral Seal Washer
38 ---	15107	Screw
39 ---	15078	Exhaust Retainer
40 ---	15132	Exhaust Valve, Gray
41 ---	15082	Exhaust Cap
42 ---	42804	Demand Lever w/ Button
43 ---	15039	Washer
44 ---	15020	Locknut
45 ---	42803	Diaphragm Assy
46 ---	15084	Diaphragm Ring
47 ---	15087	Diaphragm Retaine
48 ---	15091	Purge Button
49 ---	15029	QD Fitting Cover
50 ---	25455	27" MP Hose, Air Source
51 ---	42639	O-ring Kit, Airsource QD Hose



Part numbers in **BOLD ITALICS** indicate standard overhaul replacement part.

Current Models

Key # Part # Description

Axiom (Aqua Lung)

1----	42797	Weight Pouch, 10 lb, Surelock II, XS-ML
2----	42799	Weight Pouch, 15 lb, Surelock II, L-XXL
3----	15309	Gasket, Universal Connector
4----	44822	MP Hose, 22", (XS, S, M)
5----	44825	MP Hose, 25", (ML, L)
6----	44827	MP Hose, 27", (XL, XXL)
9----	12234	Pull Knob, Nyl, Blk
10----	12003	Zip Pull w/ Cord
11----	12084	Sleeve for Valve Retention Strap
12----	428230	Tank Band, Grip Lock 2"
13----	427072	Chest Strap Kit, Removable
15----	12121	Pack, Frame, Wrapture
16----	12137	Plate, Pack, Wrapture
17----	15050	Screw, 3/8 S/S
18----	15051	Barrel, Threaded, 1/4 S/S
19----	15135	Nut, Flanged, 10/24 S/S
20----	15136	Screw, 3/4, 10-24 S/S
12----	42764	Low Profile Dump Valve Kit

Key # Part # Description

Axiom i3 (Aqua Lung)

1----	42797	Weight Pouch, 10 lb, Surelock II, XS-ML
2----	42799	Weight Pouch, 15 lb, Surelock II, L-XXL
3----	15309	Gasket, Universal Connector
4----	44827	MP Hose, 27", (XS, S)
5----	44833	MP Hose, 33", (M, ML, L)
6----	44836	MP Hose, 36", (XL)
7----	44840	MP Hose, 40", (XXL)
8----	15430	Cover, QD, w/ Cord, i3 Inflator
9----	12234	Pull Knob, Nyl, Blk
10----	12003	Zip Pull w/ Cord
11----	12084	Sleeve for Valve Retention Strap
12----	428230	Tank Band, Grip Lock 2"
13----	427072	Chest Strap Kit, Removable
14----	42773	Oral Inflator Assembly
15----	12121	Pack, Frame, Wrapture
16----	12137	Plate, Pack, Wrapture
17----	15050	Screw, 3/8 S/S
18----	15051	Barrel, Threaded, 1/4 S/S
19----	15135	Nut, Flanged, 10/24 S/S
20----	15136	Screw, 3/4, 10-24 S/S

Key # Part # Description

Balance • Libra (Sea Quest)

1----	42797	Weight Pouch, 10 lb, Surelock II
2----	42767	Weight Pouch, 10 lb, Surelock
3----	42726	Weight Pouch, Universal 10 lb
4----	15309	Gasket, Universal Connector
5----	44822	MP Hose, 22", SM-MD
6----	44825	MP Hose, 25", ML-LG
7----	44827	MP Hose, 27", XL
8----	28228	Universal Tank Band
9----	42754	Dump Valve Kit, Universal
10----	42764	Low Profile Dump Valve Kit
11----	427039	Chest Strap Kit, Removable (Libra only)
<i>Optional Upgrade</i>		
12----	427040	Carry Handle Kit (Large Contour Pack only)
13----	427042	Twin Tank Kit (must have large Contour Pack)

Key # Part # Description

Black Diamond

1----	42798	Weight Pouch, 16 lb, Surelock II
2----	42768	Weight Pouch, 16 lb, Surelock
3----	42716	Weight Pouch, Universal, 16 lb
4----	42751	Weight Pouch, Deluxe, 16 lb, (2000+) (carry handle & retainer straps)
5----	15071	Screw (for Multi-set Waistband)
6----	15072	Nut (for Multi-set Waistband)
7----	15309	Gasket, Universal Connector
8----	44825	MP Hose, 25", SM
9----	44827	MP Hose, 27", MD-XL
10----	28228	Universal Tank Band
11----	42754	Dump Valve Kit, Universal
12----	427039	Removable Chest Strap Kit (1996+)
<i>Optional Upgrades</i>		
13----	427030	Waistband Expander Kit, 2-req'd (adds 6" in length)
14----	427038	Removable Crotch Strap Kit (1997+)
15----	427042	Twin Tank Kit (must have large Contour Pack)
16----	427040	Carry Handle Kit (Large Contour Pack only)

Black Diamond Waist Bands

with Aqua Lung Swivel Buckle

17----	431411	Waistband Assy, 377/304, SM, w/Surelock
18----	431412	Waistband Assy, 377/304, MD, w/Surelock
19----	431413	Waistband Assy, 377/304, ML, w/Surelock
20----	431414	Waistband Assy, 377/304, LG, w/Surelock
21----	431415	Waistband Assy, 377/304, XL, w/Surelock

Black Diamond Waist Bands

with SeaQuest Swivel Buckle

22----	430411	Waistband Assy, 377, SM, w/Surelock
23----	430412	Waistband Assy, 377, MD, w/Surelock
24----	430413	Waistband Assy, 377, ML, w/Surelock
25----	430414	Waistband Assy, 377, LG, w/Surelock
26----	430415	Waistband Assy, 377, XL, w/Surelock
27----	43020.1	Waistband Assembly, 360, SM
28----	43020.2	Waistband Assembly, 360, MD
29----	43020.3	Waistband Assembly, 360, ML
30----	43020.4	Waistband Assembly, 360, LG
31----	43020.5	Waistband Assembly, 360, XL

Black Diamond Waist Bands

with 2" Lock Monster Buckle

32----	43019.1	Waistband Assembly, 346, SM
33----	43019.2	Waistband Assembly, 346, MD
34----	43019.3	Waistband Assembly, 346, ML
35----	NLA	Waistband Assembly, 346, LG
36----	43019.5	Waistband Assembly, 346, XL

Aqua Lung Swivel Buckle



SeaQuest Swivel Buckle



Monster-Lock Buckle



NOTE: Confirm, which model waistband you need by identifying the buckle type. The shoulder buckles are not sold separately.

Current Models

Key # Part # Description

Dimension i3 • Lotus i3 (Aqua Lung)

1----	42797	Weight Pouch, 10 lb, Surelock II
2----	15309	Gasket, Universal Connector
3----	44827	MP Hose, 27", (XS/S, S)
4----	44833	MP Hose, 33", (M, ML, L)
5----	44836	MP Hose, 36", (XL)
6----	15430	Cover, QD, w/ Cord, i3 Inflator
7----	12277	Pull Knob, Nyl, Blk
8----	12003	Zip Pull w/ Cord
9----	12084	Sleeve for Valve Retention Strap
10----	28228	Universal Tank Band
11----	427072	Chest Strap Kit, Removable
12----	427104	Bungee
13----	42773	Oral Inflator Assembly
14----	12121	Pack, Frame, Wrapture
15----	12137	Plate, Pack, Wrapture
16----	15050	Screw, 3/8 S/S (1-on pack frame)
17----	15051	Barrel, Threaded, 1/4 S/S
18----	15135	Nut, Flanged, 10/24 S/S
19----	15136	Screw, 3/4, 10-24 S/S (4-on pack frame)

Key # Part # Description

Pearl (Sea Quest)

1----	42797	Weight Pouch, 10 lb, Surelock II
2----	12003	Zip Pull w/ Cord
3----	12235	Buckle, Female, 1.5" Airlock
4----	12261	Buckle, Male, 1.5" Airlock
5----	12277	Pull Knob, Nyl, Blk
6----	15309	Gasket, Universal Connector
7----	44822	MP Hose, 22" (XS, SM, MD)
8----	44825	MP Hose, 25" (ML, LG)
9----	28228	Universal Tank Band
10----	42764	Low Profile Dump Valve Kit

Key # Part # Description

Pearl i3 (Sea Quest)

1----	42797	Weight Pouch, 10 lb, Surelock II
2----	42767	Weight Pouch, 10 lb, Surelock
3----	12003	Zip Pull w/ Cord
4----	12019	Waistband Clip Lock for Multi-set
5----	12235	Buckle, Female, 1.5" Airlock
6----	12261	Buckle, Male, 1.5" Airlock
7----	12277	Pull Knob, Nyl, Blk
8----	15309	Gasket, Universal Connector
9----	15430	Cover, QD, w/ Cord, i3 Inflator
10----	44827	MP Hose, 27" (XS, SM)
11----	44833	MP Hose, 33" (MD, ML, LG)
12----	15428	Hose Hat, MP Hose
13----	28228	Universal Tank Band
14----	42773	Oral Inflator Assembly
15----	42764	Low Profile Dump Valve Kit

Key # Part # Description

Pro LT (Aqua Lung)

1----	42797	Wt Pouch, 10 lb, Surelock II, XS-ML
2----	42798	Wt Pouch, 16 lb, Surelock II, LG-XL
3----	12247	Buckle, Female, 2.0" Airlock
4----	12248	Buckle, Male, 2.0" Airlock
5----	12241	Buckle, Male, 1.0" Airlock
6----	15309	Gasket, Universal Connector
7----	44822	MP Hose, 22", XS-MD
8----	44825	MP Hose, 25", ML-LG
9----	44827	MP Hose, 27", XL
10----	28228	Universal Tank Band
11----	42754	Dump Valve Kit, Universal
12----	12131	Pack Frame, Blk
13----	12132	Cradle, Co-Molded
14----	15437	Screw, 10 X 3/4 Panhead (need 6)
15----	12003	Zip Pull, W/Cord
16----	12234	Pull Knob, Blk
17----	427096	Removable Backpad, All Blk, Universal
18----	427190	Waistband Set, Adjustable Web, XS
19----	427191	Waistband Set, Adjustable Web, SM
20----	427192	Waistband Set, Adjustable Web, MD
21----	427193	Waistband Set, Adjustable Web, ML
22----	427194	Waistband Set, Adjustable Web, LG
23----	427195	Waistband Set, Adjustable Web, XL
24----	427196	Waistband Set, Adjustable Web, XXL
25----	42764	Low Profile Dump Valve Kit

Key # Part # Description

Pro QD (Aqua Lung)

1----	42797	Wt Pouch, 10 lb, Surelock II, XS-ML
2----	42798	Wt Pouch, 16 lb, Surelock II, LG-XL
3----	12247	Buckle, Female, 2.0" Airlock
4----	12248	Buckle, Male, 2.0" Airlock
5----	12241	Buckle, Male, 1.0" Airlock
6----	15309	Gasket, Universal Connector
7----	44822	MP Hose, 22", XS-MD
8----	44825	MP Hose, 25", ML-LG
9----	44827	MP Hose, 27", XL
10----	28228	Universal Tank Band
11----	42754	Dump Valve Kit, Universal
12----	12131	Pack Frame, Blk
13----	12132	Cradle, Co-Molded
14----	15437	Screw, 10 X 3/4 Panhead (need 6)
15----	12003	Zip Pull, W/Cord
16----	12234	Pull Knob, Blk
17----	427096	Removable Backpad, All Blk, Universal
18----	427190	Waistband Set, Adjustable Web, XS
19----	427191	Waistband Set, Adjustable Web, SM
20----	427192	Waistband Set, Adjustable Web, MD
21----	427193	Waistband Set, Adjustable Web, ML
22----	427194	Waistband Set, Adjustable Web, LG
23----	427195	Waistband Set, Adjustable Web, XL
24----	427196	Waistband Set, Adjustable Web, XXL
25----	42764	Low Profile Dump Valve Kit

Current Models

Key # Part # Description

Wave 2010> (Aqua Lung)

1----	42797	Wt Pouch, 10 lb, Surelock II
2----	12247	Buckle, Female, 2.0" Airlock
3----	12248	Buckle, Male, 2.0" Airlock
4----	12241	Buckle, Male, 1.0" Airlock
5----	15309	Gasket, Universal Connector
6----	44822	MP Hose, 22", XXS
8----	44827	MP Hose, 27"
10----	28228	Universal Tank Band
11----	42754	Dump Valve Kit, Universal
12----	12131	Pack Frame, Blk
13----	12132	Cradle, Co-Molded
14----	15437	Screw, 10 X 3/4 Panhead (need 6)
15----	12003	Zip Pull, W/Cord
16----	12242	Pull Knob, Orange
17----	427096	Removable Backpad, All Blk, Universal
18----	427189	Waistband Set, Adjustable Web, XXS
19----	427190	Waistband Set, Adjustable Web, XS
20----	427191	Waistband Set, Adjustable Web, SM
21----	427192	Waistband Set, Adjustable Web, M
22----	427194	Waistband Set, Adjustable Web, LG
23----	427195	Waistband Set, Adjustable Web, XL
24----	427103	Weight System, Complete
25----	427101	Weight Sheath, Left Side
26----	427102	Weight Sheath, Right Side

Key # Part # Description

Zuma (Aqua Lung)

1----	42797	Wt Pouch, 10 lb, Surelock II
2----	12235	Buckle, Female, 1.5" Airlock
3----	12261	Buckle, Male, 1.5" Airlock
4----	12017	Buckle, Male, 3/4" Airlock
5----	15309	Gasket, Universal Connector
6----	44822	MP Hose, 22", XS-MD
7----	44825	MP Hose, 25", ML-LG
8----	44827	MP Hose, 27", XL/XXL
9----	28228	Universal Tank Band
10----	12277	Pull Knob, Blk.
11----	10017	Traction Sleeve for Tank Band
12----	427072	Removable Chest Strap Kit
13----	427085	Removable Trim Pocket (5 lb/2.2 Kg)
14----	427086	Bladder Only, (22 lb/10 Ltr) XS-S/S-M
15----	427087	Bladder Only, (34 lb/15 Ltr) ML-L/XL-XXL
16----	42764	Low Profile Dump Valve Kit

Key # Part # Description

WTX (Apeks)*WTX Harness/Deluxe Webbed Harness*

1----	10017	Traction Sleeve, Tank Band, WTX
2----	12071	D-ring, 2.0, Dull Tumbled S/S, .25 Dia, WTX/Dlx
3----	12252	Slide, 2.0, 3 Bar, S/S Serrated, WTX/Dlx
4----	12253	D-ring, 2.0, Bent, Dull Tumbled, S/S, WTX/Dlx
5----	12285	Buckle, 2.0, S/S, Cam, Heavy Duty, WTX/Dlx
6----	28228	Universal Tank Band, WTX
7----	427039	Removable Chest Strap Kit, WTX
8----	762325	Slide, Buckle, WTX/Dlx
9----	42778	Inflator Hold Down, Reflective, Black, WTX
10----	42779	Removable Backpad, WTX
11----	42780	Crotch Strap Kit, 2.0, WTX/Dlx
12----	42781	Elastic Retainer Loop, 1.0, Chest, WTX
13----	42782	Elastic Retainer Loop, 1.5, Straps, WTX/Dlx
14----	42786	Neo Sleeve, Dlx

Wt System, Surelock, 10lb

1----	15050	Screw, Threaded, 3/8, S/S, Male
2----	15051	Barrel, Threaded, 1/4, S/S, Female
3----	42784	Wt Pouch, 10lb. Surelock
4----	42785	Wt Holster, 10lb. Surelock

Wt System, Surelock Attachment

1----	15050	Screw, Threaded, 3/8, S/S, Male
2----	15051	Barrel, Threaded, 1/4, S/S, Female
3----	15128	Washer, Shoulder, 1/4, Nylon

Bladder, WTX3, WTX4, WTX6, WTX6R, WTX8

1----	15309	Gasket, Universal Connector
2----	44827	MP Hose, 27"
3----	15665	Cap, Universal Connector, WTX6/8
4----	42754	Dump Valve Kit, Universal
5----	42772	Apeks Airway Complete
6----	12277	Pull Knob, Nylon, Black
7----	42783	Retainer Loop
8----	42788	Bladder, Tech Wing, WTX6/8
9----	42789	Bladder, WTX 4
----	42790	Bladder, Primary, WTX 6R
----	42791	Bladder, Redundant, WTX 6R
10----	388300	WTX Retractor Kit

*Buoyancy Cells Complete, WTX4, WTX6, WTX6R, WTX8
(retractor option with bag, bladder, inflator)*

1----	388345	WTX 4, Buoyancy Cell
2----	388360	WTX 6, Buoyancy Cell
3----	388380	WTX 8, Buoyancy Cell
4----	388460	WTX 6R, Buoyancy Cell

Discontinued Models

Key #	Part #	Description
Diva LX • Diva XLT • Diva QD • Diva (Sea Quest)		
1	42797	Weight Pouch, 10 lb, Surelock II
2	42767	Weight Pouch, 10 lb, Surelock
3	42726	Weight Pouch, Universal, 10 lb
4	12019	Clip Lock, Multi-set Waistband
5	12235	Buckle, Female, 1.5", Airlock
6	12024	Buckle, Female, 1.5", Standard (pre-2002)
7	12240	Buckle, Female, 1.0", Airlock
8	12241	Buckle, Male, 1.0", Airlock
9	12048	Buckle, Female, 1.0" Standard (pre-2002)
10	12088	Buckle, Male, 1.0", Standard (pre-2002)
11	15309	Gasket, Universal Connector
12	44822	MP Hose, 22", XS-MD
13	44825	MP Hose, 25", ML-LG
14	42754	Dump Valve Kit, Universal
15	28228	Universal Tank Band
16	12039	Accessory Hose Clip
17	12060	Snaphook

Key #	Part #	Description
Malibu (Aqua Lung/Sea Quest)		
1	42726	Weight Pouch, Universal, 10 lb
2	42754	Dump Valve Kit, Universal
3	10017	Traction Sleeve, Universal Tank Band
4	28228	Universal Tank Band
5	761947	Stabilizer Strap, Cylinder
6	12024	Buckle, Female, 1.5", Standard
7	12037	Buckle, Male, 1.5", Standard
8	12235	Buckle, Female, 1.5", Airlock
9	12261	Buckle, Male, 1.5", Airlock
10	12240	Buckle, Female, 1.0", Airlock
11	12241	Buckle, Male, 1.0", Airlock
12	15309	Gasket, Universal Connector
13	44825	MP Hose, 25", XS-MD
14	44827	MP Hose, 27", LG-XL
15	427039	Removable Chest Strap Kit
16	12060	Snaphook (in key pocket)
17	088152	Cord Lock for Mesh Bag (post 9/05)

Key #	Part #	Description
Latitude XLT • Latitude (Sea Quest)		
1	42797	Weight Pouch, 10 lb XS-ML, Surelock II (XLT)
2	42767	Weight Pouch, 10 lb, XS-ML Surelock (XLT)
3	42726	Weight Pouch, Universal, 10 lb
4	42798	Weight Pouch, 16 lb LG-XL, Surelock II (XLT)
5	42768	Weight Pouch, 16 lb LG-XL, Surelock (XLT)
6	15309	Gasket, Universal Connector
7	42754	Dump Valve Kit, Universal
8	28228	Universal Tank Band
9	10017	Traction Sleeve for Tank Band (XLT)
10	12126	Pack Cradle, Blk (XLT)
11	12127	Pack Cradle, W/Pad Installed, Blk (XLT)
12	15129	Bolt, 19mm Hex, Brass, Chrome/Pltd (XLT)
13	15130	Nut, 19mm Hex, Brass, Chrome/Pltd (XLT)
14	12241	Buckle, Male, 1.0 Airlock (XLT)
15	15665	Cap, Universal Connector
16	44822	MP Hose, 22" XS-MD
17	44825	MP Hose, 25" ML-LG
18	44827	MP Hose, 27" XL
19	427190	Waistband Set, Adjustable Web, XS (XLT)
20	427191	Waistband Set, Adjustable Web, SM (XLT)
21	427192	Waistband Set, Adjustable Web, MD (XLT)
22	427193	Waistband Set, Adjustable Web, ML (XLT)
23	427194	Waistband Set, Adjustable Web, LG (XLT)
24	427195	Waistband Set, Adjustable Web, XL (XLT)
25	12247	Buckle, F, 2.0 Airlock (XLT)
26	12248	Buckle, M, 2.0 Airlock (XLT)
27	12235	Buckle, F, 1.5 Airlock
28	12261	Buckle, M, 1.5 Airlock
29	427039	Chest Strap Kit, Removable

Key #	Part #	Description
Pacifica (Sea Quest)		
1	15309	Gasket, Universal Connector
2	42754	Dump Valve Kit, Universal
3	28228	Universal Tank Band
4	10017	Traction Sleeve for Tank Band
5	12126	Pack Frame, Blk
6	12127	Pack Cradle, w/ Pad Installed, Blk
7	15129	Bolt, 19mm Hex, Brass Chrome/Pltd
8	15130	Nut, 19mm Hex, Brass Chrome/Pltd
9	12241	Buckle, Male, 1.0, Airlock
10	15665	Cap, Universal Connector
11	44822	MP Hose, 22", XS-MD
12	44825	MP Hose, 25", ML-LG
13	44827	MP Hose, 27", XL
14	427096	Removable Backpad, All Blk, Universal
15	427190	Waistband Set, Adjustable Web, XS
16	427191	Waistband Set, Adjustable Web, SM
17	427192	Waistband Set, Adjustable Web, MD
18	427193	Waistband Set, Adjustable Web, ML
19	427194	Waistband Set, Adjustable Web, LG
20	427195	Waistband Set, Adjustable Web, XL
21	12247	Buckle, F, 2.0, Airlock, Blk 5502100
22	12248	Buckle, M, 2.0, Airlock, Blk 5501100

Discontinued Models

Key #	Part #	Description
Passport 2006-07 (Sea Quest)		
1	42726	Weight Pouch, Universal, 10 lb
2	15309	Gasket, Universal Connector
3	42754	Dump Valve Kit, Universal
4	28228	Universal Tank Band
5	10017	Traction Sleeve for Tank Band
6	12126	Pack Frame, Blk (2007)
7	12127	Pack Cradle, w/ Pad Installed, Blk (2007)
8	15129	Bolt, 19mm Hex, Brass Chrome/Pltd (2007)
9	15130	Nut, 19mm Hex, Brass Chrome/Pltd (2007)
10	15665	Cap, Universal Connector
11	44822	MP Hose, 22", XS-MD
12	44825	MP Hose, 25", ML-LG
13	44827	MP Hose, 27", XL
14	427097	Removable Backpad w/ Mesh Bag, (2007)
15	427190	Waistband Set, Adjustable Web, XS (2007)
16	427191	Waistband Set, Adjustable Web, SM (2007)
17	427192	Waistband Set, Adjustable Web, MD (2007)
18	427193	Waistband Set, Adjustable Web, ML (2007)
19	427194	Waistband Set, Adjustable Web, LG (2007)
20	427195	Waistband Set, Adjustable Web, XL (2007)
21	12247	Buckle, F, 2.0" Airlock (2007)
22	12248	Buckle, M, 2.0" Airlock (2007)
23	12240	Buckle, F, 1.0" Airlock (2006)
24	12241	Buckle, M, 1.0" Airlock (2006)
25	427039	Removable Chest Strap Kit
26	088152	Cord Lock

Key #	Part #	Description
Pro • Pro QD • Pro XLT (Sea Quest)		
<i>Weight Pouches (Pro QD, Pro XLT)</i>		
1	42797	Wt Pouch, 10 lb, Surelock II, XS-ML
2	42767	Wt Pouch, 10 lb, Surelock, XS-ML
3	42726	Wt Pouch, 10 lb, Universal, XS-ML
4	42798	Wt Pouch, 16 lb, Surelock II, LG-XXL
5	42768	Wt Pouch, 16 lb, Surelock, LG-XXL (ML on XLT)
6	42716	Wt Pouch, 16 lb, Universal, LG-XXL
7	12235	Buckle, Female, 1.5", Airlock (Pro, Pro QD)
8	12261	Buckle, Male, 1.5", Airlock (Pro, Pro QD)
9	12241	Buckle, Male, 1.0", Airlock (Pro, Pro QD)
10	12024	Buckle, Female, 1.5", Standard (pre-2002)
11	12037	Buckle, Male, 1.5", Standard (pre-2002)
12	12088	Buckle, Male, 1.0", Standard (pre-2002)
13	15309	Gasket, Universal Connector
14	44822	MP Hose, 22", XS-MD
15	44825	MP Hose, 25", ML-LG
16	44827	MP Hose, 27", XL/XXL
17	28228	Universal Tank Band
18	42754	Dump Valve Kit, Universal
19	427040	Carry Handle Kit (large Contour Pack only)
20	12060	Snaphook
21	4270901	Waistband, Pro XLT, SM
22	4270902	Waistband, Pro XLT, MD
23	4270903	Waistband, Pro XLT, ML
24	4270904	Waistband, Pro XLT, LG
25	4270905	Waistband, Pro XLT, XL

Key #	Part #	Description
Pro QD i3 (Sea Quest)		
1	42797	Weight Pouch, 10 lb, Surelock II, XS-ML
2	42767	Weight Pouch, 10 lb, Surelock, XS-ML
3	42798	Weight Pouch, 16 lb, Surelock II, LG-XXL
4	42768	Weight Pouch, 16 lb, Surelock, LG-XXL
5	12235	Buckle, Female, 1.5" Airlock
6	12261	Buckle, Male, 1.5" Airlock
7	12241	Buckle, Male, 1.0" Airlock
8	12060	Snap Hook
9	15309	Gasket, Universal Connector
10	44827	MP Hose, 27" (SM)
11	44833	MP Hose, 33" (MD, ML, LG)
12	44836	MP Hose, 36" (XL)
13	44840	MP Hose, 40" (XXL)
14	15428	Hose Hat
15	28228	Universal Tank Band
16	427040	Carry Handle Kit (for LG contour pack only)
17	42773	Oral Inflator Assembly
18	12277	Pull Knob, Nyl, Blk
19	15430	Cover, QD, w/ Cord, i3 Inflator

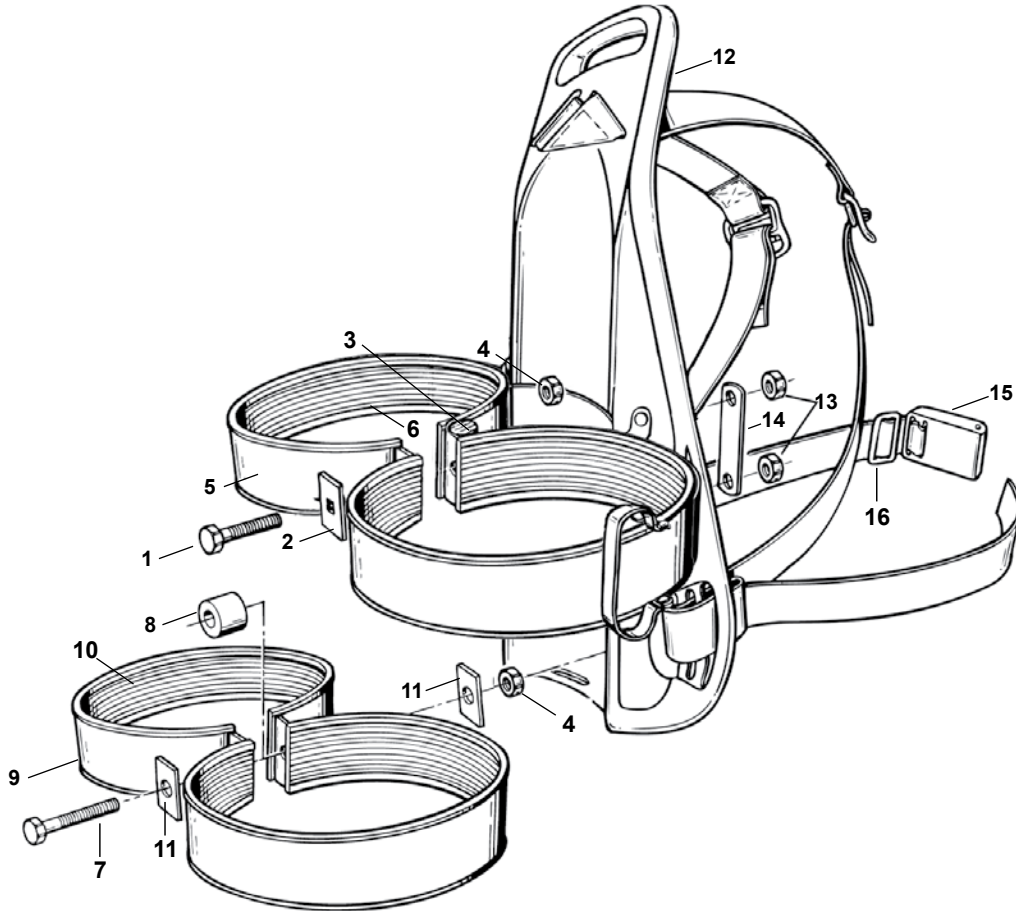
Key #	Part #	Description
Pro Unlimited (Sea Quest)		
1	42797	Weight Pouch, 10 lb, Surelock II, XS-ML
2	42767	Weight Pouch, 10 lb, Surelock, XS-ML
3	42752	Weight Pouch, 10 lb, Deluxe, XS-ML
4	42798	Weight Pouch, 16 lb, Surelock II, LG-XXL
5	42768	Weight Pouch, 16 lb, Surelock, LG-XXL
6	42751	Weight Pouch, 16 lb, Deluxe, LG-XXL
7	12235	Buckle, Female, 1.5", Airlock
8	12261	Buckle, Male, 1.5", Airlock
9	12024	Buckle, Female, 1.5", Standard (pre-2002)
10	12037	Buckle, Male, 1.5", Standard (pre-2002)
11	12060	Snaphook
12	12114	Batten, Adjustable Lumbar System
13	15309	Gasket, Universal Connector
14	16317	Nut, Squeeze Lock Knife
15	16319	Screw, Metric, Squeeze Lock Knife (July '04)
16	16320	Nut, Metric, Squeeze Lock Knife
17	44822	MP Hose, 22", SM-MD
18	44825	MP Hose, 25", ML-LG
19	44827	MP Hose, 27", XL-XXL
20	28228	Universal Tank Band
21	42754	Dump Valve Kit, Universal
22	12019	Clip Lock, Multi-set Waistband
23	41952	Knife Hose Mount Kit, Squeeze Lock Knife
24	427040	Carry Handle Kit (large Contour Pack only)
25	427039	Chest Strap Kit, Removable

Discontinued Models

Key #	Part #	Description	Key #	Part #	Description
Spectrum 1 (Sea Quest)			Wave • Wave Jr. 2000-04 (Aqua Lung)		
1	15309	Gasket, Universal Connector	1	42754	Dump Valve Kit, Universal
2	12024	Buckle, Female, 1.5"	2	10017	Traction Sleeve, Tank Band
3	12039	Accessory Hose Clip	3	088107	Traction Pad, Slotted
4	12048	Buckle, Female, 1.0"	4	28228	Universal Tank Band
5	12088	Buckle, Male, 1.0"	5	427041	Removable Back Pad
6	12060	Snaphook	<i>Wave with Fabric Channels (after July '04)</i>		
7	44822	MP Hose, 22" (XS, SM, MD)	6	427020	Waistband w/Strap, XS, 41"
8	44825	MP Hose, 25" (ML, LG)	7	427021	Waistband w/Strap, SM, 43"
9	44827	MP Hose, 27" (XL)	8	427022	Waistband w/Strap, MD, 47"
10	28228	Universal Tank Band	9	427024	Waistband w/Strap, LG, 52"
11	42754	Dump Valve Kit, Universal	10	427025	Waistband w/Strap, XL, 55"
12	12240	Buckle, Female, 1.0", Airlock	<i>Wave with Web Channels</i>		
13	12241	Buckle, Male, 1.0", Airlock	11	427050	Waistband, XS, 41"
14	427033	Backpad Kit, LG-XXL	12	427051	Waistband, SM, 43"
15	427034	Backpad Kit, XS-ML	13	427052	Waistband, MD, 47"
<i>Optional Upgrades</i>			14	427054	Waistband, LG, 52"
16	427031	Waistband Expander for 4" to 5.5" wide band (adds up to 8" in length)	15	427055	Waistband, XL 55"
17	427032	Waistband Expander Slim for 3" wide band (adds up to 8" in length)	16	12090	Backpack (one size fits all)
			17	15309	Gasket, Universal Connector
			18	15665	Cap, Universal Connector
			19	44827	MP Hose, 27"
			20	12048	Buckle, Female, 1.0" (pre-2002)
			21	12088	Buckle, Male, 1.0" (pre-2002)
			22	12240	Buckle, Female, 1.0", Airlock (2002)
			23	12241	Buckle, Male, 1.0", Airlock (2002)
			<i>Wave Jr. Part Only</i>		
			24	427056	Tank Band, 30 cu.ft. Cyl. (Jr. version)
			25	44822	MP Hose, 22"
			26	427057	Crotch Strap Kit (Jr. version only)
			27	42718	Weight Pouch, 6 lb, Grey Handle (Jr. version)

Key #	Part #	Description	Key #	Part #	Description
Wave • Wave Jr. 2005-09 (Sea Quest)			Miscellaneous		
1	15309	Gasket, Universal Connector	1	42611	BC Puncture Repair Kit
2	42754	Dump Valve Kit, Universal	2	42705	BC Bag
3	28228	Universal Tank Band	3	42738	Pull Dump Cord (25')
4	10017	Traction Sleeve for Tank Band			
5	12126	Pack Frame, Blk			
6	12127	Pack Cradle, w/ Pad Installed, Blk			
7	15129	Bolt, 19mm Hex, Brass Chrome/Pltd			
8	15130	Nut, 19mm Hex, Brass Chrome/Pltd			
9	12241	Buckle, Male, 1.0, Airlock			
10	15665	Cap, Universal Connector			
11	44822	MP Hose, 22" (Jr.)			
12	44827	MP Hose, 27" XS-XL			
13	427096	Removable Backpad, Wave/Pacifica, Unv			
14	427189	Waistband Set, Adjustable Web, Jr.			
15	427190	Waistband Set, Adjustable Web, XS			
16	427191	Waistband Set, Adjustable Web, SM			
17	427192	Waistband Set, Adjustable Web, MD			
18	427193	Waistband Set, Adjustable Web, ML			
19	427194	Waistband Set, Adjustable Web, LG			
20	427195	Waistband Set, Adjustable Web, XL			
21	12247	Buckle, F, 2.0, Airlock, Blk			
22	12248	Buckle, M, 2.0, Airlock, Blk			
<i>Wave Jr. Part Only</i>					
23	42718	Weight Pouch, 6 lb, Grey Handle			
24	427056	Tank Band, 30 cu.ft. Cyl. (Jr. version)			

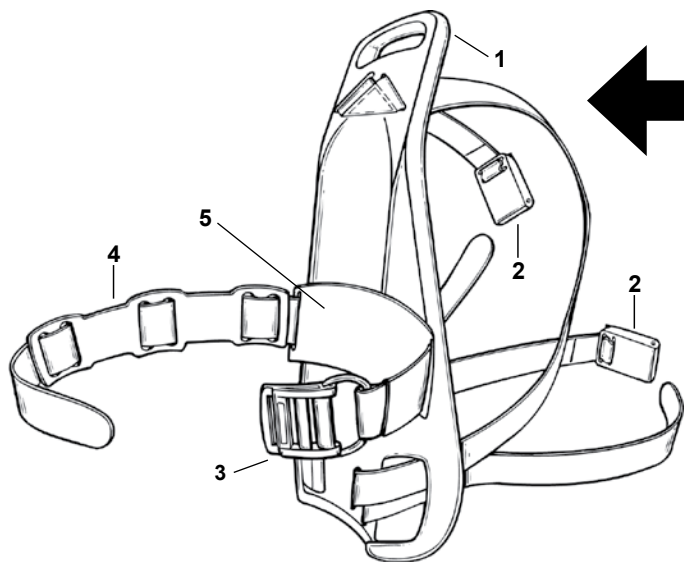
Mariner Twin Backpack



Key #	Part #	Description
----	083400	Mariner Twin Back Pack
1----	838032	Bolt, Hex, .3125-18x3"
2----	082304	Plate, Back-up
3----	082923	Spacer
4----	852021	Nut, Hex, 5/16-18
5----	083401	Band, Top, 7.25"
6----	082940	Cover, Non-slip
7----	838031	Bolt, Hex, .312-18x4"
8----	082729	Spacer, 1" x 2", Blk Nylon
9----	083410	Band, Bottom, 7.25"
10----	081240	Cover, Non-slip
11----	081245	Plate, Back-up
12----	082801	Frame
13----	852014	Nut, #10-32, Brass
14----	081810	Brace
15----	10081	Buckle Cam
16----	762325	Slide, Buckle

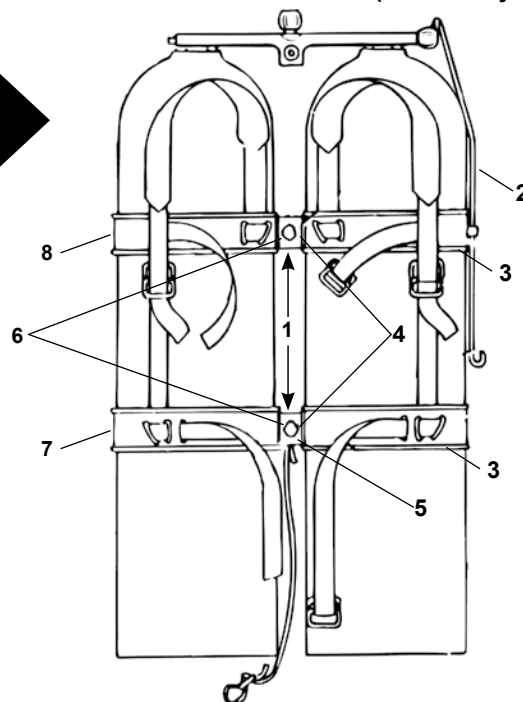
Kam Pac • Twin Harness • Military BC

MARINER KAM PAC (088150)



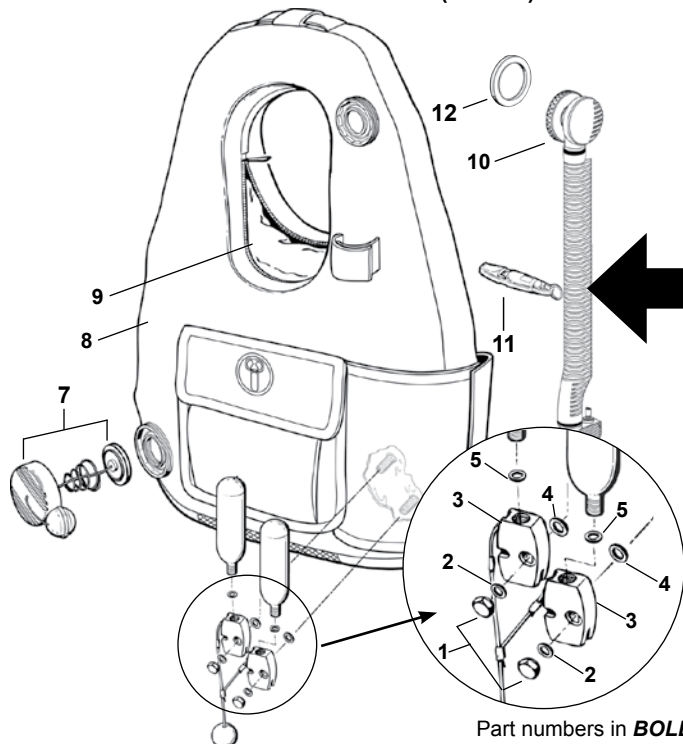
Key #	Part #	Description
1	088110	Frame
2	10081	Buckle Cam
3	28228	Universal Tank Band
4	10017	Traction Sleeve, Tank Band
5	088107	Traction Pad, Slotted
N/S	088151	Non-slip Lanyard

TWIN HARNESS ASSEMBLY (for 7.25" cylinders)



Key #	Part #	Description
-----	082700	7.25" Harness Assembly, Complete
-----	081215	Strap Kit
1	081245	Back-up Plate
2	074305	Reserve Pull Rod
3	081240	Cover, Non-slip
4	838031	Bolt, Hex, .312-18x4"
5	082729	Spacer, 1"x2". Blk Nylon
6	852021	Hex Nut
7	082723	Band, Bottom
8	082721	Band, Top

CALYPSO MILITARY BC (394050)



Key #	Part #	Description
1	13216	Cap Nut
2	15737	Gasket
3	13207	Firing Mechanism, W/O Ball & Cord
4	15738	Gasket
5	704014	Gasket, CO₂ Cartridge
6	13220	CO ₂ Cartridge, 38 gram
7	42754	Overpressure Relief Valve Assembly
8	4394051	Outer Bag
9	394052	Inner Bladder
10	42746	Powerline Airway Assy
11	12219	Whistle
12	15309	Gasket

Part numbers in **BOLD ITALICS** indicate standard overhaul replacement part.

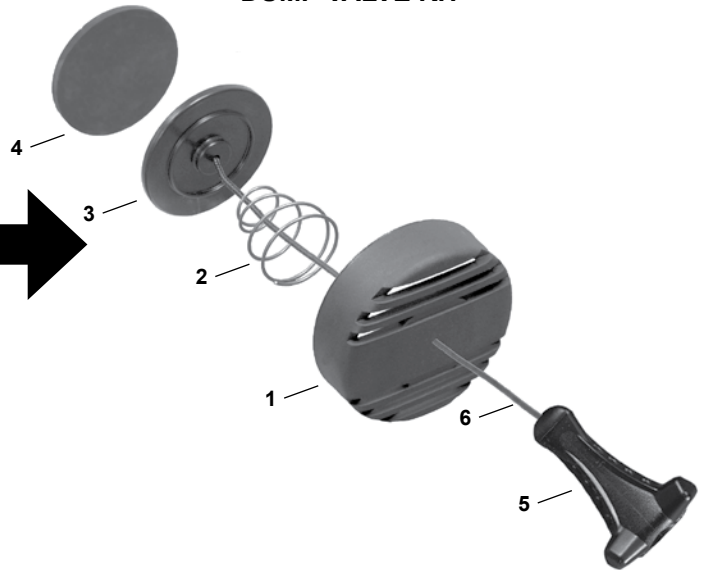
Cap-Off • Dump Valve Kits • CO2 Assembly

CAP-OFF



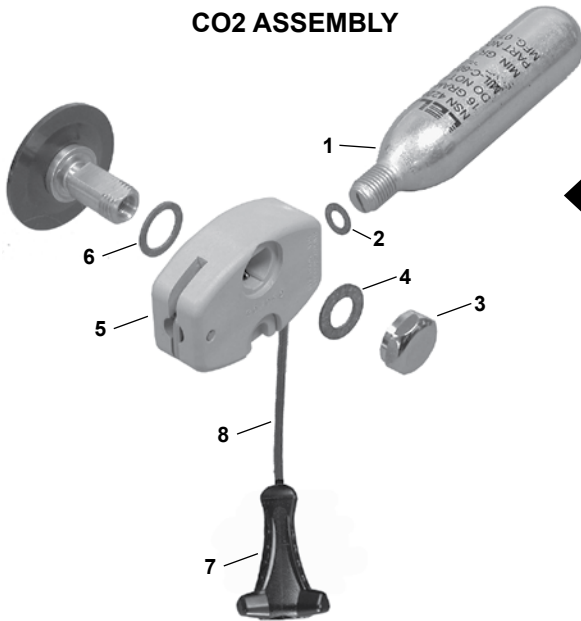
Key #	Part #	Description
1----	15309	Gasket, Connector Seal
2----	15665	Cap, Connector, Acme Thread

DUMP VALVE KIT



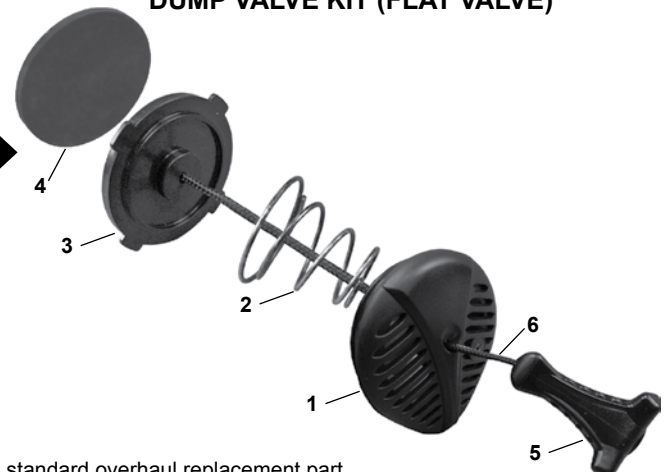
Key #	Part #	Description
----	42754	Dump Valve Kit, Acme Thread
1----	10079	Cap, Over Pressure
2----	15617	Spring
3----	15650	Plate
4----	15604	Seal
5----	12277	Pull Knob
6----	42738	Pull Dump Cord (25')

CO2 ASSEMBLY



Key #	Part #	Description
1----	13211	CO2 Cartridge, 16 gram
2----	704014	Gasket
3----	13216	Nut
4----	15737	Nut Gasket
5----	13207	Detonator
6----	15738	Base Gasket
7----	12277	Pull Knob
8----	42738	Pull Dump Cord (25')

DUMP VALVE KIT (FLAT VALVE)



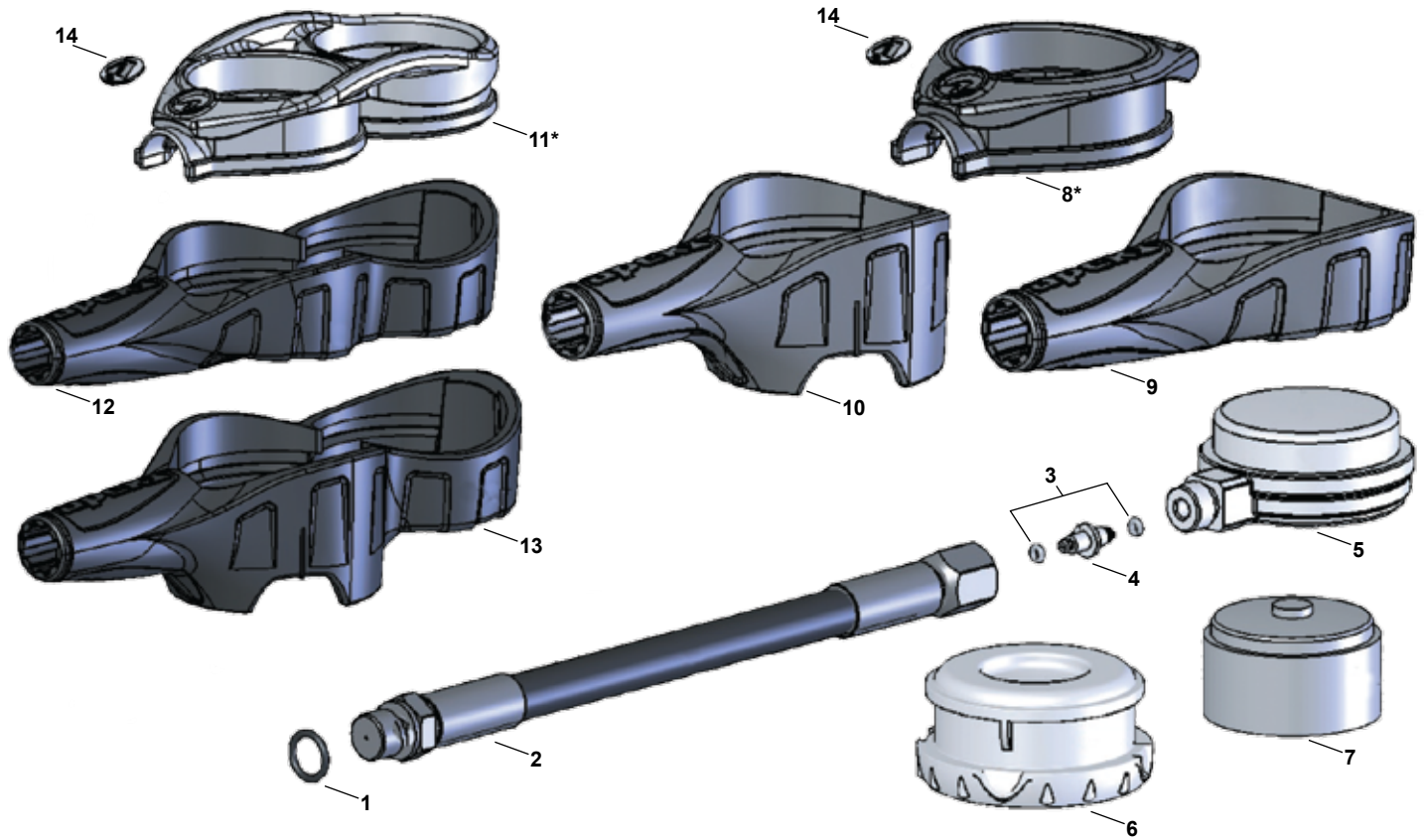
Key #	Part #	Description
----	42764	Dump Valve Kit, Flat Valve
1----	15441	Cap, Low Profile, Blk
2----	15617	Spring
3----	15442	Seal Plate, Low Profile
4----	15443	Seal, Low Profile
5----	12277	Pull Knob
6----	42738	Pull Dump Cord (25')

Part numbers in **BOLD ITALICS** indicate standard overhaul replacement part.

Apeks Analog Instruments

*NOTE: The bezel #11, will only fit on boots #12 and #13.

*NOTE: The bezel #8, will only fit on boots #9 and #10.

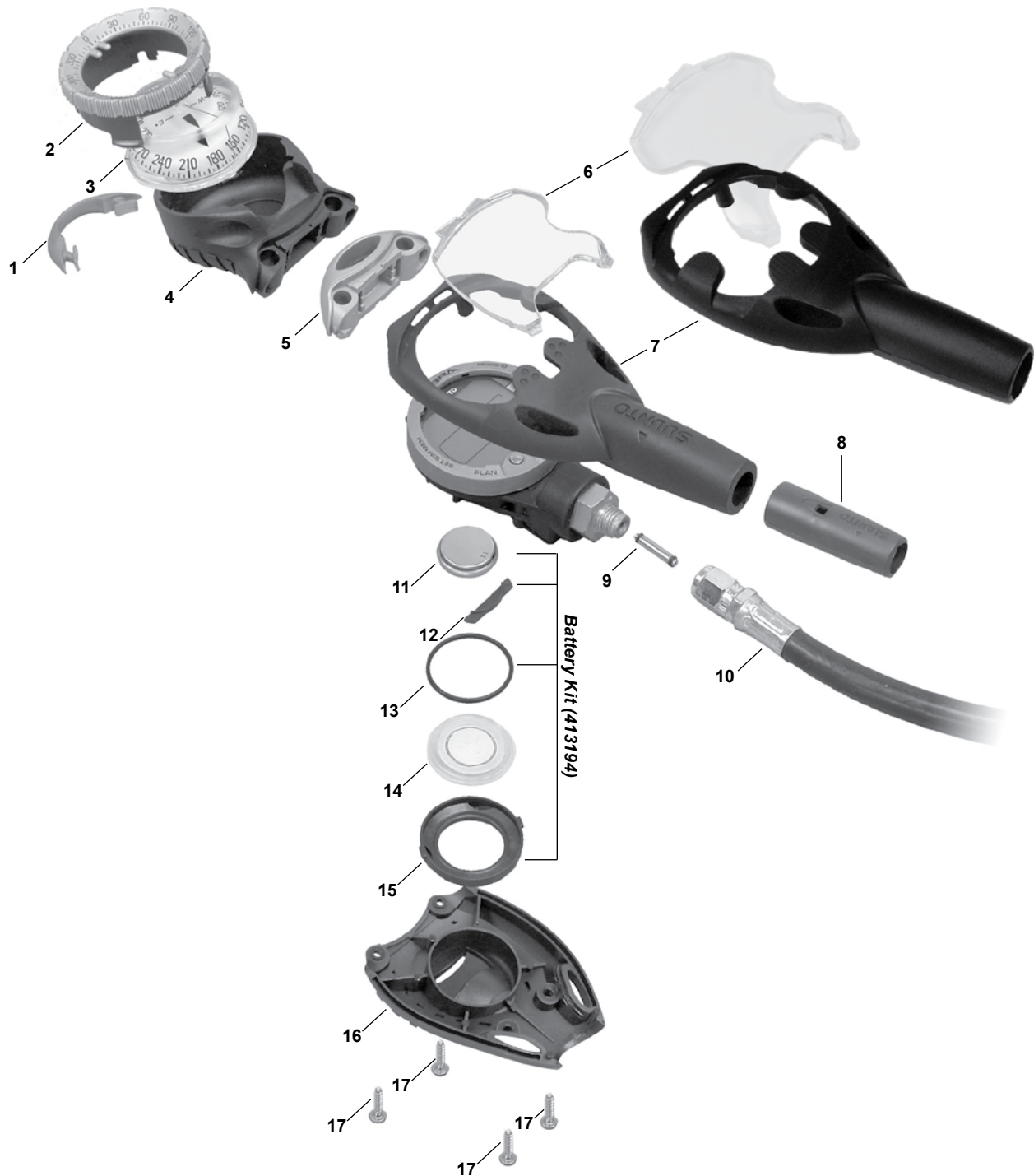


Key #	Part #	Description
-------	--------	-------------

1	AP1445P	O-ring (10 pk)
2	AP7610	HP Hose, 800mm
3	AP1157P	O-ring (10 pk)
4	AP522002P	HP Spool w/no O-rings (5 pk)
5	AP5745	SPG, Module, Brass, 5000 psi
6	AP5706	Compass, Module
7	AP5746	Depth Gauge, Module, 230 ft
8	AP5702	Bezel, Pewter
9	AP5701	Boot, SPG only
10	AP5731	Boot, 2-Gauge, SPG/Cmps
11	AP5703	Bezel, 2-Gauge, Pewter
12	AP5704	Boot, SPG/Depth
13	AP5705	Boot, SPG/Depth/Cmps
14	AP7596B	Logo, Insert, Blk

Part numbers in **BOLD ITALICS** indicate standard overhaul replacement part.

Cobra 3 • Cobra 2 • Cobra

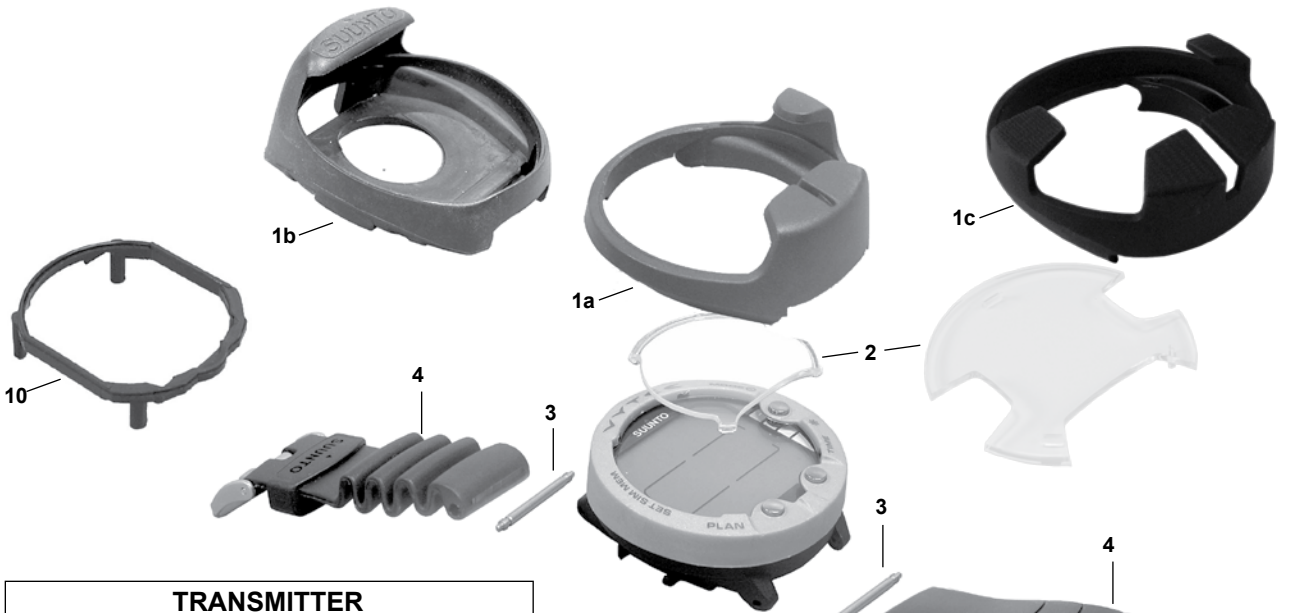


Key #	Part #	Description
----	413194	Battery Kit (Includes items 11, 12, 13, 15)
----	188990	Module, Cobra 3, Black
----	V5876	Module, Cobra
1----	V6281	Hook
2----	6310	Bezel, SK7, w/Friction Ring
3----	186590	Compass Module, SK7, N.Hemisphere
4----	K5459	Boot, Compass, SK7, CB71
5----	14411	End Cap, Blue
----	413205	End Cap
6----	413204	Shield, Display, Cobra
----	13145	Shield, Display, Cobra 3/2
7----	14410	Boot, Front, Cobra 3

Key #	Part #	Description
----	12780	Boot, Front, Cobra 2
----	413206	Boot, Front, Cobra
8----	5506	Hose Protector (2 pack)
9----	730486	Air Spool, SPG, w/O-rings, Single
10----	102023	Hose, HP, 7/16 x 38
11----	NLA	Battery
12----	413195	Spacer, Battery
13----	NLA	O-ring
14----	413196	Cover, Battery, w/Beeper
15----	413197	Ring, Retaining, Battery Cover
16----	413207	Back Cover, Cobra Boot
17----	413208	Screw, Cobra Boot (4 required)

Part numbers in **BOLD ITALICS** indicate standard overhaul replacement part.

Helo2 • Vyper Air • Vytec • Vyper 2 • Vyper • Zoop • Gekko • Transmitter



TRANSMITTER

Battery Kit (413100)

Key #	Part #	Description
----	413100	Battery Kit (includes items 11, 12, 13, 14)
11 ----	V5824	Cap
12 ----	NLA	O-ring
13 ----	NLA	Battery, 1/2AA Lithium, 3v
14 ----	957004P	O-ring, HP (25 pk)
15 ----	K5542	Screw (4 required)

Battery Kit (413194)

Key #	Part #	Description
----	413194	Battery Kit (includes items 5, 6, 7 & 9)
----	188980	Module, Vyper Air, Black
----	5404M	Module, Vyper
----	16425	Module, Zoop, Orange
1a ----	K5534	Boot, Wrist, Vytec TN6
1b ----	413168	Boot, Wrist, Vyper
1c ----	131380	Boot, Wrist, Vyper Air/2
N/S ---	14517	Boot, Wrist, Hel02
2 ----	413202	Shield, Display, Zoop, Gekko, Vytec, Vyper
----	131260	Shield, Display, Vyper Air/2, Hel02
3 ----	413191	Spring Bar
4 ----	413167	Strap, Wrist, Helo2, Vyper (incl. 2 spring bars)
N/S ---	13194	Strap, Wrist, Vyper Air/2 (no spring bars)
5 ----	NLA	Battery
6 ----	413195	Spacer, Battery
7 ----	NLA	O-ring
8 ----	413196	Cover, Battery, w/Beeper
N/S ---	14512	Cover, Battery, Hel02
9 ----	413197	Ring, Retaining, Battery Cover
10 ----	413166	Adapter, Console (CB52)

Part numbers in **BOLD ITALICS** indicate standard overhaul replacement part.

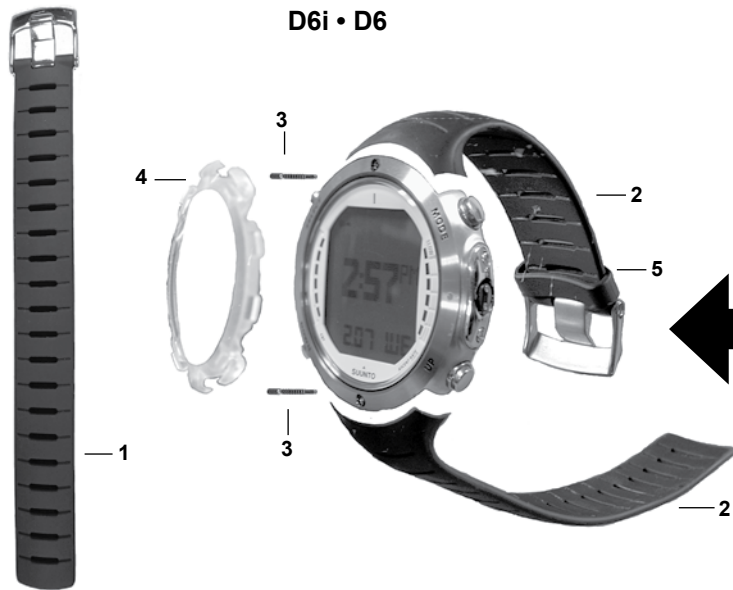
D4i • D4 • D6i • D6 • D9TX • D9

D4i • D4

Key #	Part #	Description
1	-----13386	Strap Extension, Black, D4
	-----14014	Strap Extension, Blue, D4
	-----14015	Strap Extension, Yellow, D4
	-----14016	Strap Extension, Pink, D4
	-----14518	Strap Extension, Red, D4
2	-----13586	Strap Kit w/Screws, Black
	-----14011	Strap Kit w/Screws, Blue
	-----14012	Strap Kit w/Screws, Yellow
	-----14013	Strap Kit w/Screws, Pink
	-----14436	Strap Kit w/Screws, Red
3	-----13400	Strap Loop, D4
N/S	-----13587	Display Guard, Stick On



D6i • D6



Key #	Part #	Description
1	-----156660	Strap Extension, D6i/D6
2	-----12606	Strap with screws, D6i/D6
3	-----11986	Screw, strap, D6i/D6
4	-----12605	Display shield with retainer ring, D6i/D6
5	-----120850	Strap Loop, D6i/D6
N/S	-----13525	Bracelet, Stainless Steel, D6i/D6
N/S	-----13587	Display Guard, Stick On
N/S	-----135260	Kit, SS Links (2), D6i/D6

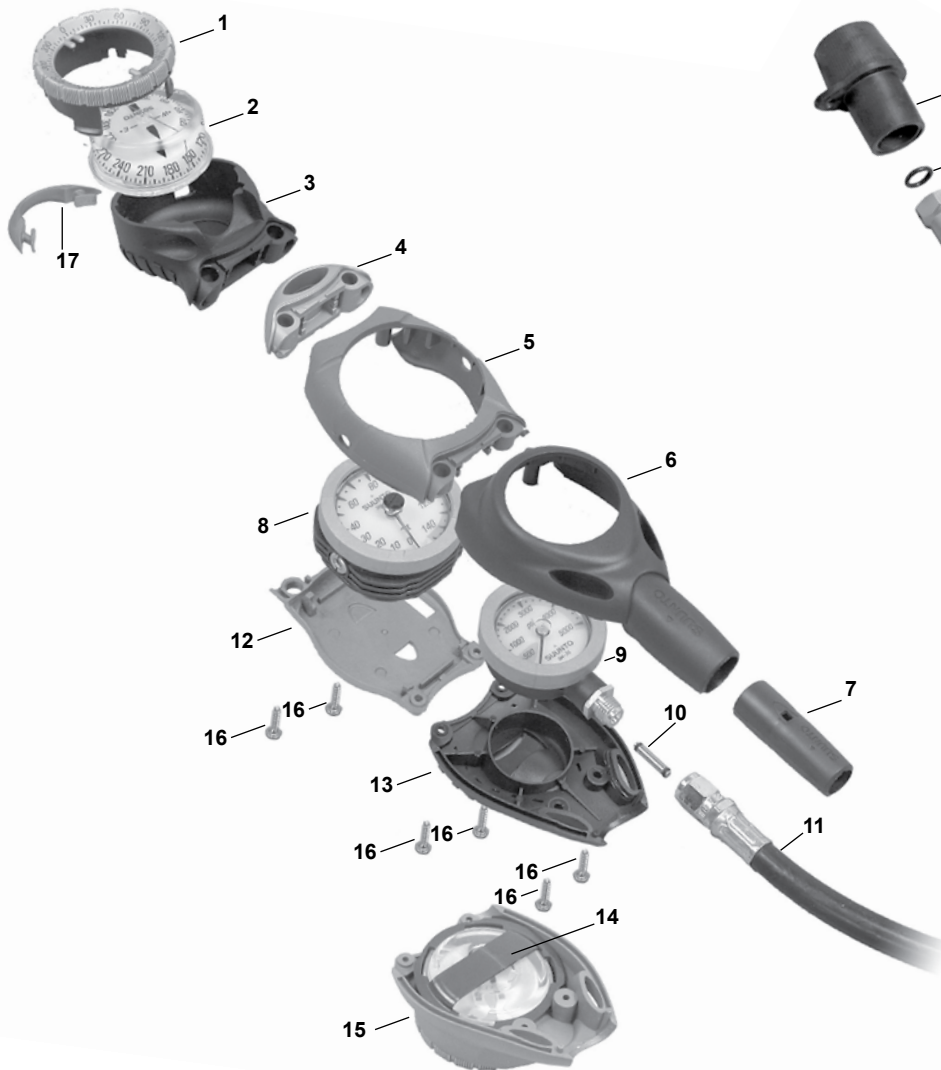
D9TX • D9

Key #	Part #	Description
1	-----182150	Strap extension, D9TX
	-----156670	Strap extension, D9
2	-----11130	Screw, strap, D9
3	-----182030	Strap Kit with screws, D9TX
	-----11415	Strap with screws, D9
4	-----11120	Strap Loop, D9
N/S	-----182040	Bracelet, Titanium, D9TX
N/S	-----182050	Kit, Ti Links (2), D9TX
N/S	-----13542	Kit, Ti Links (2), D9
N/S	-----13587	Display Guard, Stick On

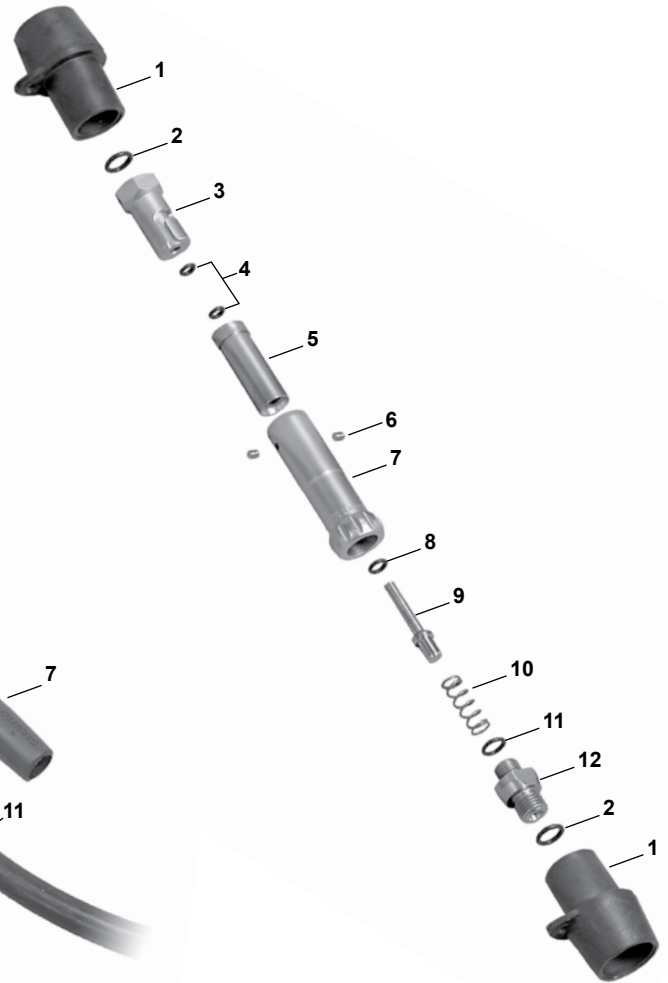


Suunto CB Console • Quick Disconnect

CB CONSOLE



QUICK DISCONNECT



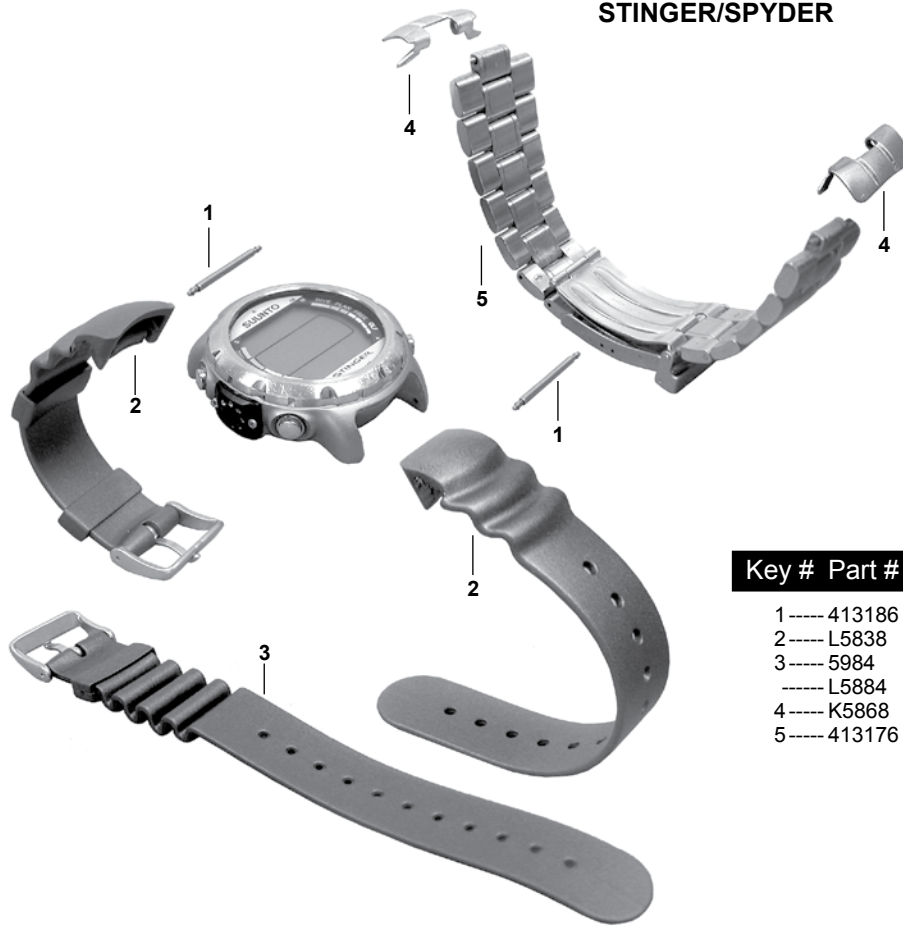
Key #	Part #	Description
----	5237	Boot Kit, CB1 (includes 4, 6, 7, 13, 16)
----	5236	Boot Kit, Inline (includes 5, 12, 16)
1----	6310	Bezel Kit, SK7 End Mount
2----	186590	Compass Module, SK7, N.Hemisphere
3----	K5459	Boot, SK7 Endmount
4----	413205	End Cap
5----	NLA	Housing, Inline Boot
6----	NLA	Housing, CB1 Boot
7----	5506	Hose Protector (2 pack)
8----	41128	Module, Depth Gauge, 150'
----	V5306	Module, Depth Gauge, 230'
9----	41175	SPG, Imperial, 5000 PSI
----	5108M	SPG, Metric, 300 Bar
10----	730486	Air Spool, SPG, w/O-rings, Single
11----	102023	Hose, HP, 7/16 x 38
12----	NLA	Backplate, Inline Boot
13----	K5200	Backplate, CB1 Boot
14----	6311	Bezel Kit, SK7, Backmount
15----	K5201	Boot, SK7, Backmount
16----	413208	Screw
17----	V6281	Clip, End Mount

Key #	Part #	Description
1----	V5887	Plug, Rubber (single)
2----	957004P	O-ring, HP (25 pk)
3----	5505	QR Fitting, Male
4----	K5168	O-ring, Internal (2 required)
5----	NLA	HP Housing
6----	NLA	Pin, Retaining
7----	NLA	QR Fitting, Female
8----	K5172	O-ring, Valve Pin
9----	NLA	Valve Pin
10----	NLA	Spring
11----	K5166	O-ring
12----	NLA	Fitting, HP

Part numbers in **BOLD ITALICS** indicate standard overhaul replacement part.

Stinger • Spyder • Mosquito • D3

STINGER/SPYDER



Key #	Part #	Description
1	413186	Spring Bar, Stinger/Spyder
2	L5838	Strap, Elastomer, Grey (incl. ext strap)
3	5984	Strap, Extension, Black
	L5884	Strap, Extension, Grey
4	K5868	End Piece, Bracelet, Silver
5	413176	Bracelet, Gold/Silver (incl. end pieces & pins)

Key #	Part #	Description
	5983	Battery Kit, Mosquito/D3
1	NLA	Strap, Elastomer, Mosquito/D3
2	NLA	Display Shield
3	K4515	Pin, Qty 1
N/S	5984	Strap, Extension

MOSQUITO/D3



Part numbers in **BOLD ITALICS** indicate standard overhaul replacement part.

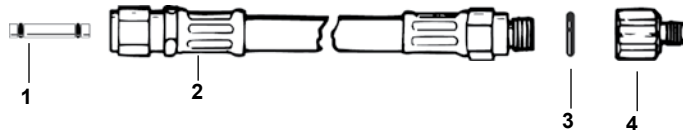
Hose Mounts • Compass Wrist Boot • Straps • Miscellaneous

VYPER HOSE MOUNT (Vytec, Vyper, Gekko)



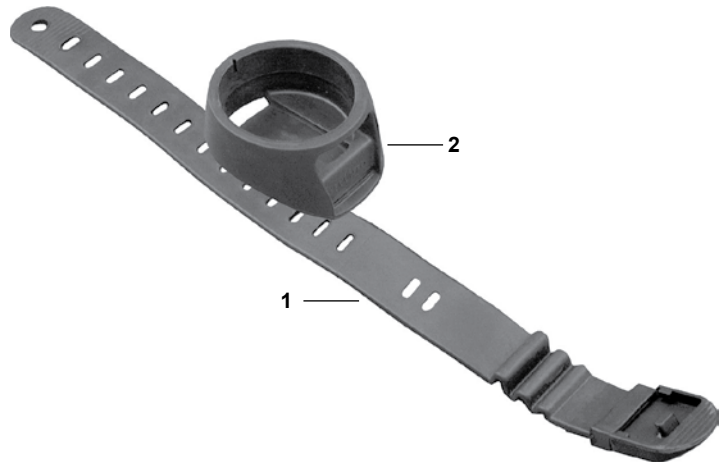
Key #	Part #	Description
1----	413190	Hose Mount Kit, Vytec/Vyper/Gekko
2----	413141	Screw, Hose Mount Clamp

HP HOSE



Key #	Part #	Description
1----	730486	Air Spool, with O-rings
2----	102023	Hose, HP, 7/16 x 38
3----	957004P	O-ring, HP (25 pk)
4----	101785	Adapter, HP, 7/16" Female to 3/8" Male

SK7 WRIST BOOT



Key #	Part #	Description
1----	413138	Strap, Wrist, Rubber
2----	413170	Boot, Wrist, SK7

MISCELLANEOUS PARTS (not shown)

Key #	Part #	Description
1----	413109	Boot, SPG, Strap Style
2----	413149	Screws, Backplate, Wrist Gauge, (4 pk)
3----	745930	Retractor Kit, Suunto Computers
4----	413203	Retractor, SK7, without Compass
5----	413210	Plate, Retractor (for add on SK7)
6----	413147	Backplate (Favor S)
7----	413138	Wrist Strap (Favor S)
8----	413174	Bezel (SK7)
9----	413188	Friction Ring (SK7)
10----	186590	Compass Module, SK7, N.Hemisphere
11----	413139	Wrist Strap, Nylon (SK6)

BATTERY KITS (not shown)

Key #	Part #	Description
1----	413194	Battery Kit (Helo/Vytec/Cobra/Vyper/Zoop/Gekko)
2----	413100	Battery Kit (Transmitter)
3----	5983	Battery Kit (Mosquito / D3)
4----	413165	Battery Kit (Eon / Favor Air)
5----	413164	Battery Kit 3v (Favor / Companion)
6----	413163	Battery Kit 3.6v (Solution / Fusion / Favor Lux)

Masks • Snorkels

Aqua Lung Mask Parts

Key #	Part #	Description
Seal		
1 ----	220312	Strap, Clear, Seal Mask
2 ----	220313	Strap, Black, Seal Mask
Tyke / Mythos / Falco		
1 ----	502537	Strap, Clear w/Retainers
2 ----	502538	Strap, Black w/Retainers
Quartz		
1 ----	502527	Strap & Buckle Assembly, Black
2 ----	502521	Strap & Buckle Assembly, Clear
3 ----	502514	Strap, Silicone, Clear
4 ----	504652	Retainer, Strap, Quartz/Cortez
5 ----	502528	Buckle Assembly
Look 2/ Favola / Micro / Infinity /		
Teknika / Ventura +		
1 ----	502537	Strap, Clear w/ Retainers
2 ----	502538	Strap, Black w/ Retainers
3 ----	505565	Buckle, Cardanic, pair
4 ----	503795	Lens Retainer, Right, Look 2
5 ----	503796	Lens Retainer, Left, Look 2
Look		
1 ----	503629	Buckle, Left
2 ----	503628	Buckle, Right
3 ----	42457	Strap, Silicone, Clear
4 ----	42411	Retainer, Strap, Black
Hawaii		
1 ----	502503	Buckle, Hawaii 1&2
2 ----	502514	Strap, Silicone, Clear
3 ----	502524	Strap, Silicone, Black
4 ----	502522	Retainer, Strap, Black
5 ----	502506	Lens Retainer, Left, Hawaii 2
6 ----	502505	Lens Retainer, Right, Hawaii 2
7 ----	502739	Gasket, Lens, Left, Hawaii 4
8 ----	502738	Gasket, Lens, Right, Hawaii 4
Maui		
1 ----	502514	Strap, Silicone, Clear
2 ----	502524	Strap, Silicone, Black
3 ----	502522	Retainer, Strap, Black
Wraparound		
1 ----	502608	Buckle, Left & Right, Black Metal
2 ----	507709	Strap, Silicone, Black
3 ----	507708	Strap, Silicone, Clear
4 ----	502611	Purge Valve w/ Retainer
5 ----	502522	Retainer, Strap, Black
Pacifica / Atlantis		
1 ----	503605	Buckle, Left & Right
2 ----	507709	Strap, Silicone, Black
3 ----	507708	Strap, Silicone, Clear
4 ----	15852	Purge Valve (Pacifica)
5 ----	502522	Retainer, Strap, Black
Mask Boxes		
1 ----	505020	Box, Plastic, Hawaii/Quartz/Cortez

Sea Quest Mask Parts

Key #	Part #	Description
1 ----	42457	Strap, Idea
2 ----	42410	Strap, Ventura, Black
3 ----	42411	Retainer, Strap, Ventura

AQUA LUNG SNORKEL PARTS



Impulse Snorkels

Key #	Part #	Description
1 ----	734407	Keeper, Impulse 1,2 or 3
2 ----	105838	Comfo-Bite Mouthpiece, Std, Impulse 1,2 or 3
-----	105848	Comfo-Bite Mouthpiece, Sm, Impulse 1,2 or 3
-----	734409	Comfo-Bite Mouthpiece, Std, Blk, Impulse 1,2 or 3
3 ----	100122	Purge Valve Diaphragm, Impulse 1,2 or 3
4 ----	734408	Flex Section, Clear, Impulse 3 only
-----	734411	Flex Section, Blk, Impulse 3 only

Snap Snorkels

Key #	Part #	Description
N/S ---	734333	Keeper, Snap Snorkel

Sea Quest Snorkels

Key #	Part #	Description
1 ----	105838	Mouthpiece, Sidedraft
2 ----	15852	Purge valve, Sidedraft
3 ----	734332	Snorkel Keeper, Silicone

Fins • Knives

Aqua Lung Fin Parts

Key #	Part #	Description
Slingshot / Hotshot		
1	622600	ESBS Strap/Buckle Assy, Red (1-strap w/2 Buckles),Slingshot
	622605	ESBS Strap/Buckle Assy, Blue (1-strap w/2 Buckles),Slingshot
	622610	ESBS Strap/Buckle Assy, Silver (1-strap w/2 Buckles),Slingshot
2	62911	Strap, Hotshot
3	261888	Strap Cover, Green (6-pieces),Hotshot
	261889	Strap Cover, Pink (6-pieces),Hotshot
	261891	Strap Cover, Blue (6-pieces),Hotshot
4	62587	Powerbands, Spare, Red (2-pieces),Slingshot
	62588	Powerbands, Spare, Silver (2-pieces),Slingshot
	62589	Powerbands, Spare, Blue (2-pieces),Slingshot
Express ADJ / Stratos ADJ / Caravelle ADJ		
1	622600	ESBS Strap/Buckle Assy, Red (1-strap w/2 Buckles)
	622605	ESBS Strap/Buckle Assy, Blue (1-strap w/2 Buckles)
	622610	ESBS Strap/Buckle Assy, Silver (1-strap w/2 Buckles)
Rocket / Rocket II / Compro		
1	621502	Strap, Rocket or Compro, for Wire Buckles
2	621132	Strap, Rocket Fin II
3	621131	Buckles, Metal, Rocket Fin II (1 pair)
4	622680	Strap/Buckle Assembly, Quick-Release, Rocket II
Older Models		
1	622695-R	Strap/Buckle Assy, Right, Hands-Free, Blades 2
2	622695-L	Strap/Buckle Assy, Left, Hands-Free, Blades 2
3	622690	Strap/Buckle Assy, V-Tek
4	622680	Strap/Buckle Assy, All AQ Fins (except V-Tek)

Sea Quest Fin Parts

Key #	Part #	Description
1	42454	Strap, Idea Fin
2	622680	Strap/Buckle Assy, Idea Fin
3	42458	Strap/Buckle Assy, Thruster/Accelerator

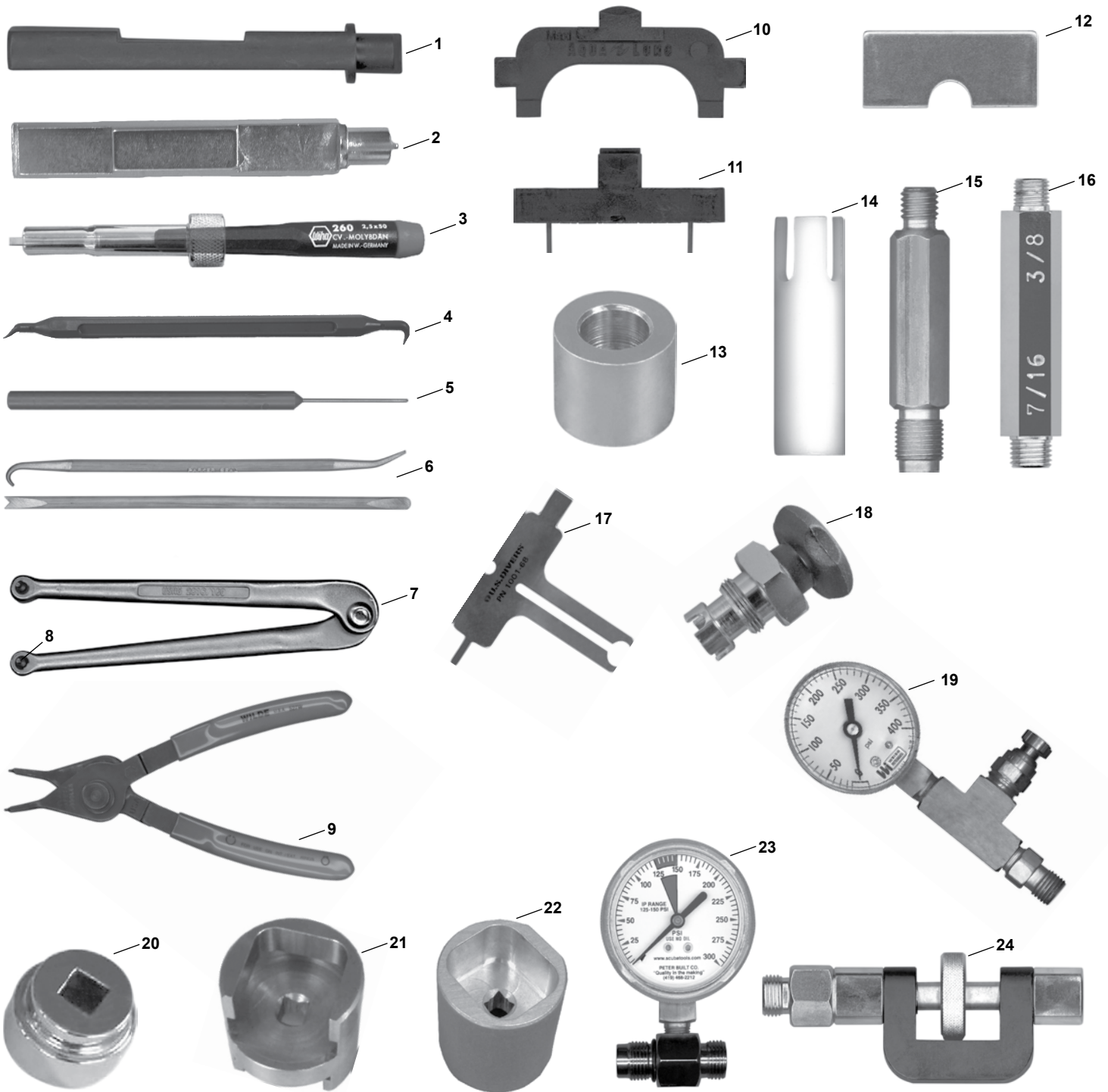
Aqua Lung Knife Parts

Key #	Part #	Description
1	41942	Strap/Buckle Assembly, Mako/Vector/Sea Hawk 2/ Sea Master
2	422441	Sheath, Sea Hawk 2 & Sea Master
3	422613	Retaining Ring, Sea Hawk 2/SeaMaster

Sea Quest Knife Parts

Key #	Part #	Description
Squeeze Lock Knife		
1	42652	Nut/Screw Set, Squeeze Lock, 1 ea.
2	41942	Knife Strap/Buckle, 24", Pair

Aqua Lung / Sea Quest Regulator Tools



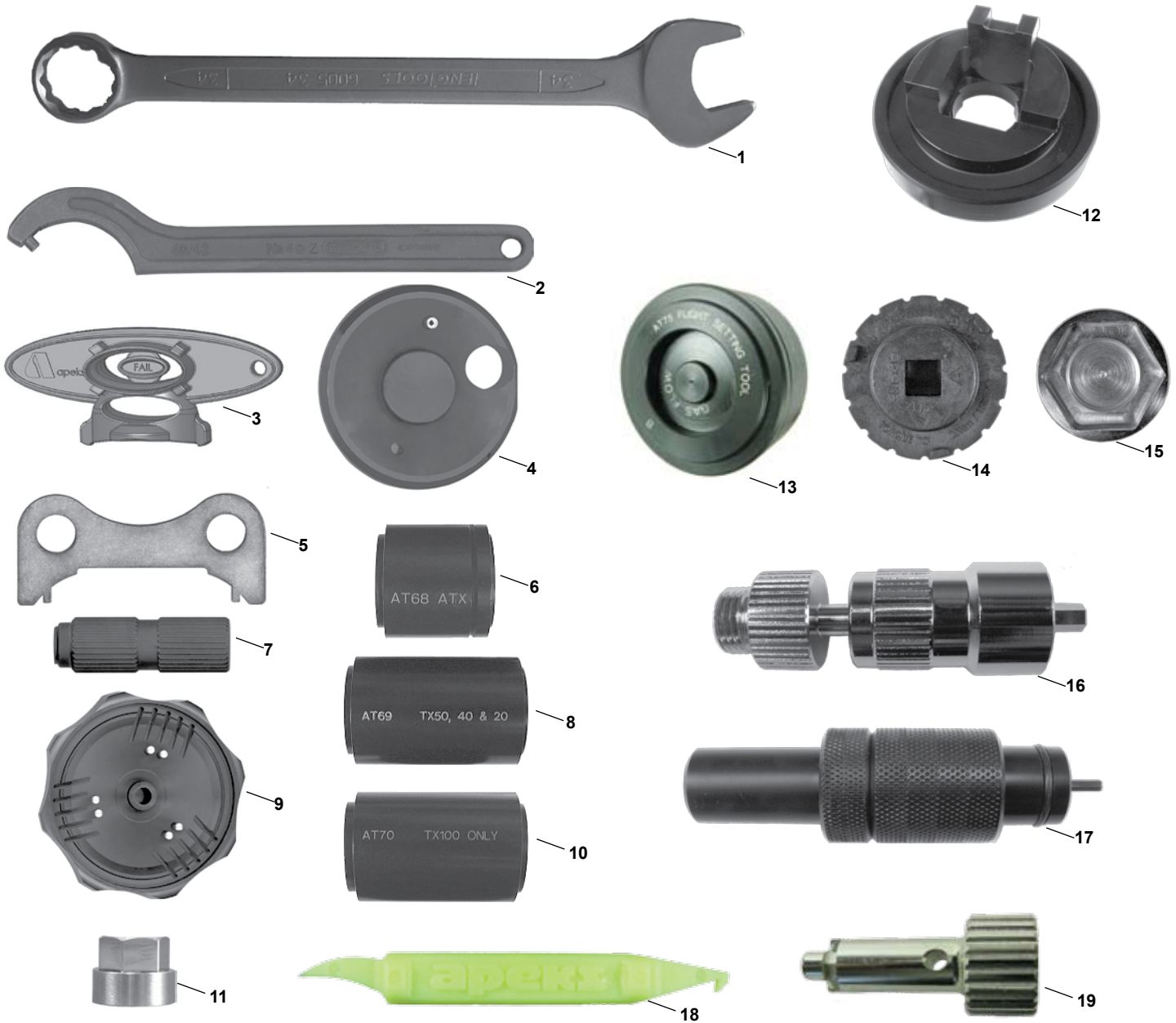
Key # Part # Description

- 1 ---- 125727 Crown Lever Adjustment Tool
- 2 ---- 127686 Kronos Seat/Lever Adjustment Tool
- 3 ---- 101680 Lever Height Adjustment Tool
- 4 ---- 103102 O-ring Tool, Plastic (5-pk)
- 5 ---- 109437 Seat Installation/Extraction Tool
- 6 ---- 944022 O-ring Tool Set
- 7 ---- 129198 Adjustable Face Spanner
- 8 ---- 129197 Pin, Replacement, Adj. Spanner (1 each)
- 9 ---- 111100 Circlip Pliers, Reversible
- 10 ---- 129001 Titan LX Retaining Ring/Lever Height Tool
- 11 ---- 100188 Micra Retaining Ring Tool
- 12 ---- 081247 Supreme Retainer Wrench
- 13 ---- 111000 HP Spring Block Assy Guide

Key # Part # Description

- 14 ---- 100884 Micra ADJ Lever Installation Tool
- 15 ---- 100395 Vise Mounting Tool
- 16 ---- 5116230 Vise Mounting Tool
- 17 ---- 100168 Micra Preadjustment Tool
- 18 ---- 111003 Poppet Wrench, Conshelf
- 19 ---- 111610 Test Pressure Gauge, 400 PSI
- 20 ---- 111001 Socket, Inlet Fitting, 26mm
- 21 ---- 122152 Socket, Spring Retainer, Legend/Mistral
- 22 ---- 111002 Socket, Spring Retainer, Titan/Cousteau
- 23 ---- 111605 Inline Test Gauge
- 24 ---- 100190 Inline Adjustment Tool, Slotted & Hexed
- N/S --- 108357 Deluxe Workmat with Windows

Apeks Regulator Tools

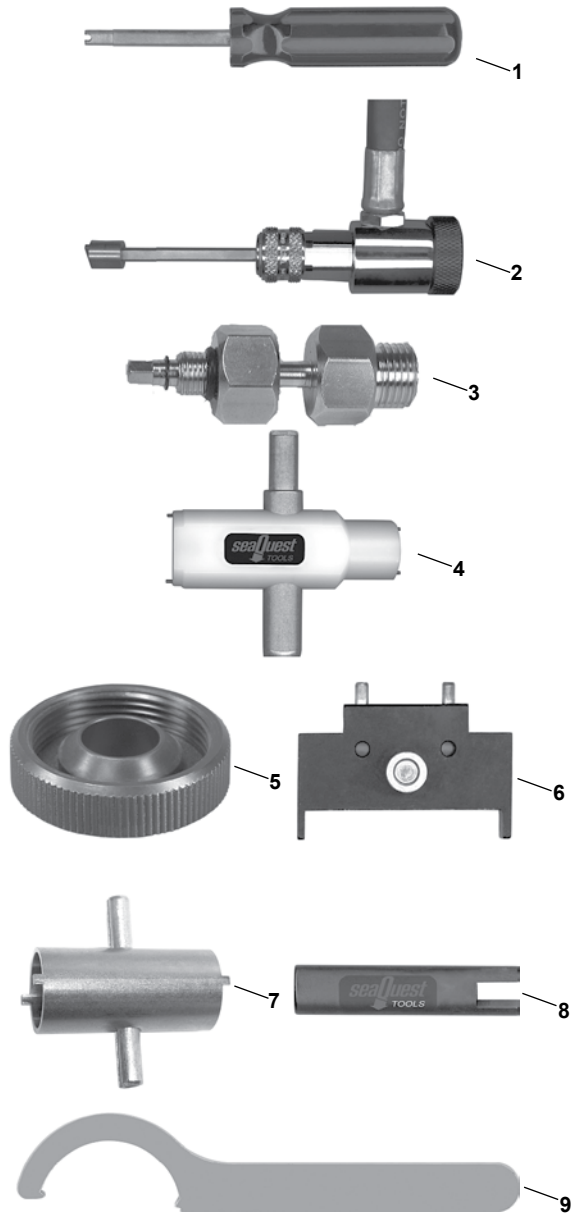


Key #	Part #	Description
1	AT47	Wrench, 34mm (Thin)
2	AT30	Pin Spanner
3	AT20	XTX Cover/Lever Height Tool
4	AT31	ATX/TX Cover Tool
5	AT42	TX100 Cover Tool
6	AT68	Lever Height Tool, ATX
7	AT45	Spring Adjuster Tool
8	AT69	Lever Height Tool, TX50, 40 & 20
9	AT62	Egress Cover/Lever Height Tool
10	AT70	Lever Height Tool, TX100
11	AT21	Status, Valve Lifter Fastener

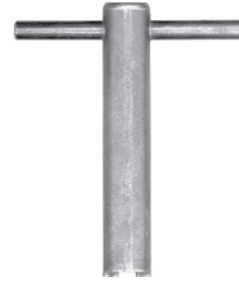
Key #	Part #	Description
12	AT77	Venturi/Inlet Removal Tool, Flight
13	AT75	Lever Height Tool, Flight
14	AT71	Diaphragm Clamp Tool, Flight
15	AT74	Yoke Connector Socket, Flight
16	AT72F	Inline Adjustment Tool, Flight
17	AT76	Micro Adjuster Tool, Flight
18	AT79K	O-ring Tool, (6-pak)
19	AT51	Seat Adjustment Tool

BC & Air Source • Valve

BC & AIR SOURCE TOOLS



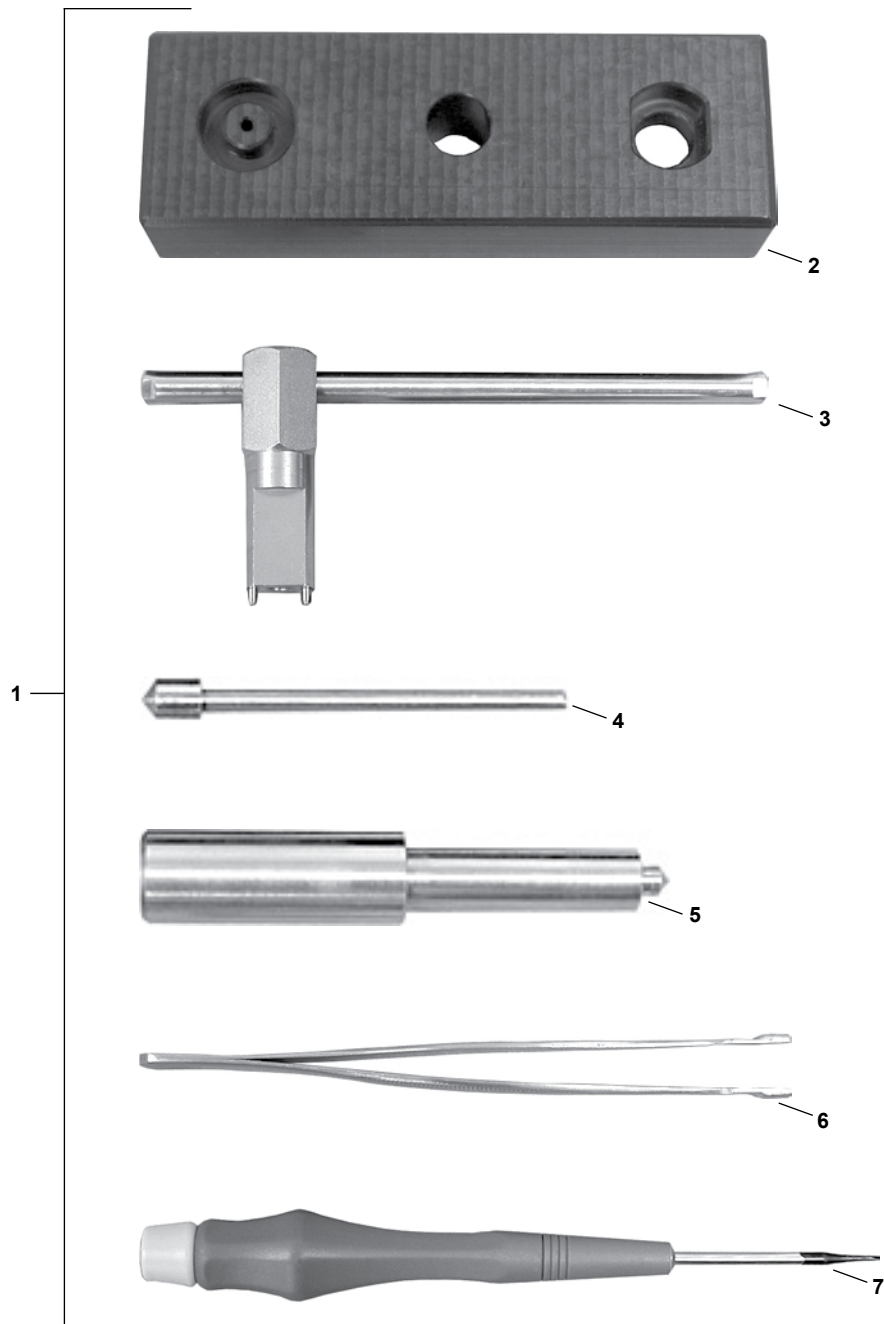
VALVE TOOLS



Key #	Part #	Description
1	053035	Valve Handwheel Tool

Key #	Part #	Description
1	778694	Valve Core Tool
2	41016	Air Source Inline Adjustment Tool
3	15192	Airsource 3, Inline Adjustment Tool
4	42314	Air Source T-Tool
5	AT7009	Swivel Inflator Tool
6	42315	Air Source Multi Tool
7	15762	Apeks Inflator Tool
8	42316	Air Source Oral Assembly Tool
9	778679	Retaining Collar Wrench, Air Mic
N/S	42611	BC Patch Kit

Suunto HP Quick Disconnect Tools



Key #	Part #	Description
1	5590	Quick Disconnect Tool Kit
2	V5505	Service Base
3	V5506	Disassembly Wrench
4	V5501	Guiding Pin, Small
5	V5502	Guiding Pin
6	K5630	Tweezers, O-ring Installation
7	K5854	Screwdriver

Part Number Index

Index

Numbers

050107.....	55, 57	088107.....	71, 73	101680.....	84	104913.....	28, 30,35, 36,
050216.....	57	088110.....	73	101727.....	13		37, 48, 49, 50, 51, 52,
050221.....	55	088151.....	73	101728.....	13, 18		53, 54
050233.....	55, 57	088152.....	69, 70	101785.....	13, 38, 39, 81	104940.....	28
050241.....	55, 57	090015.....	28, 38	101919.....	28	105106.....	13, 15, 16,
050242.....	55, 57	090018.....	60, 62, 64	102002.....	6,7,8,16,18, 19		18, 19
051821.....	55, 57	090025.....	38	102003.....	13, 18	105139.....	28
052508.....	55, 57	100103.....	35	102004.....	18, 28	105321.....	13
052514.....	55, 57	100108.....	35	102023.....	38, 76, 79, 81	105323.....	13
052515.....	55	100109.....	35	102085.....	18, 38, 39	105324.....	13, 16, 18, 19
052518.....	55, 57	100110.....	35	102510.....	20, 27, 28, 30,	105326.....	13, 18
052519.....	57	100119.....	35		34, 36, 37	105327.....	13, 18
052521.....	55, 57	100122.....	30, 35, 51, 82	102708.....	28	105333.....	13
052540.....	57	100128.....	20, 30, 34, 35,	103101.....	16, 19	105831.....	35, 37, 38
052541.....	55, 57		36, 37	103102.....	84	105838.....	35, 38, 82
052548.....	57	100132.....	35	103104.....	16	105848.....	35, 38, 82
053035.....	86	100136.....	35	103105.....	46	105879.....	28, 38
054114.....	56	100143.....	35	103133.....	9, 10, 11, 12,	105884.....	28, 38
054201.....	56	100168.....	84		15, 16, 19	105885.....	28, 38
054203.....	56	10017.....	68,69,70,71, 73	103137.....	9, 10, 11, 12,	105926.....	18
054204.....	56	100181.....	35, 37		15, 16, 19	105927.....	18
054205.....	56	100188.....	84	103162.....	16, 19	105936.....	18
054207.....	56	100190.....	84	103172.....	16, 38	105940.....	6, 7, 8, 9, 10,
054208.....	56	100312.....	18	103174.....	16, 19		11, 13, 14, 15, 16, 17,
054209.....	56	100395.....	84	103176.....	16, 19		18, 19
054211.....	56	100444.....	28	103182.....	16	105944.....	13, 18
054212.....	56	100525.....	13, 16, 17, 18	103425.....	8, 13, 14, 16,	106022.....	16, 17, 18
054215.....	56	100571.....	28		17, 18, 19	106023.....	18
054216.....	56	10079.....	74	103429.....	13, 18	106026.....	8, 13, 16, 17,
054221.....	56	10081.....	72, 73	103706.....	28		18, 19
054222.....	56	100841.....	35	103732.....	28	106027.....	6, 7, 8, 14, 16,
054228.....	56	100843.....	35	104101.....	36		17, 18, 19
054261.....	56	100845.....	35	104102.....	24, 25, 29, 31,	106056.....	13, 16, 18, 19
054500.....	57	100849.....	35		32, 36, 88	106057.....	13, 18
074305.....	55, 57, 73	100853.....	35	104106.....	20,30,34,36,37	106303.....	17
081215.....	73	100854.....	35	104108.....	27, 36	106304.....	17
081240.....	72, 73	100856.....	35	104112.....	36	106317.....	13, 16, 17, 18
081245.....	72, 73	100862.....	35	104113.....	36	106318.....	13, 16, 17, 18
081247.....	84	100872.....	35	104122.....	20, 27, 30, 34,	106319.....	13, 16, 17,
081810.....	72	100884.....	84		36, 37		18, 19
082304.....	72	100888.....	35	104123.....	36	106322.....	17
082700.....	73	100903.....	37	104127.....	20,30,34,36,37	106323.....	17, 18
082721.....	73	100904.....	37	104129.....	20, 27, 30, 34,	106324.....	17
082723.....	73	100906.....	37		36, 37	106326.....	17
082729.....	72, 73	100907.....	37	104131.....	36	106327.....	17
082801.....	72	100909.....	37	104132.....	36	106337.....	13, 16, 17,
082923.....	72	100922.....	37	104134.....	20,30,34,36,37		18, 19
082940.....	72	100923.....	37	104138.....	22, 23, 25, 26,	106338.....	13, 16, 17, 18
083400.....	72	100924.....	30, 37		27, 29, 30, 31, 32, 33,	106339.....	17
083401.....	72	100945.....	37		34, 36, 38, 47, 49, 50,	106356.....	8, 13, 14, 16,
083410.....	72	101012.....	13, 18		51, 52, 54, 88		17, 18, 19
		101504.....	13, 18	104304.....	13, 18	106726.....	12
		101509.....	16, 17, 19	104613.....	13, 18	106738.....	20, 27, 30, 34,
		101549.....	13, 18	104903.....	28		36, 37
		101565.....	17			106767.....	12
		101569.....	16, 18, 19			106771.....	12

Part Number Index

106839..... 17	116925..... 30	124573..... 25, 27, 29,30, 32, 33,34, 35,36,37,38	127568..... 6, 7, 9, 10, 11, 15
106843..... 7, 12, 15, 16, 19	116926..... 30	124576..... 36	127571..... 15
107001..... 28	116927..... 30	124577..... 36	127572..... 15
107443..... 11, 13, 14, 16, 17, 18, 19	116928..... 30	124578..... 36	127573..... 15
107455..... 13, 18, 38	116929..... 30	124611..... 7, 8, 9, 11, 12, 14, 17	127574..... 9, 15
107495..... 18	119129..... 6, 7, 8, 9, 10, 11, 13, 14, 15, 16, 17, 18, 19	124628..... 13, 16, 18, 19	127575..... 15
107506..... 13, 18	119159..... 6,7,9,10,11, 15	125237..... 38	127576..... 15
107507..... 8, 12, 14, 16, 17, 19	11986..... 78	125702..... 34	127577..... 15
107508..... 12	12003..... 66, 67, 68	125705..... 20, 34	127579..... 9, 15
107605..... 28	12017..... 68	125706..... 34	127581..... 9, 15
107606..... 28	12019..... 67, 69, 70	125707..... 34	127582..... 15
107607..... 28	12024..... 69, 70, 71	125708..... 20, 34	127583..... 10, 15
107700..... 13	12037..... 69, 70	125709..... 34	127585..... 9, 10, 15
107818..... 30	12039..... 69, 71	125710..... 12	127586..... 15
107822..... 36	12048..... 69, 71	125712..... 12	127587..... 15
108122..... 28	12060..... 69, 70, 71	125713..... 9, 12, 15, 19	127588..... 15
108185..... 28	12071..... 68	125717..... 12	127589..... 15
108357..... 84	12084..... 66, 67	125719..... 34	127602..... 33
108504..... 28	12085..... 78	125721..... 34	127605..... 33
108510..... 28, 35	12088..... 69, 70, 71	125724..... 34	127606..... 33
108514..... 28	12090..... 71	125727..... 84	127607..... 26, 33
108515..... 35	12114..... 70	125732..... 34	127608..... 33
108530..... 28	12121..... 66, 67	125734..... 34	127609..... 33
108535..... 28	12126..... 69, 70, 71	125737..... 27	127612..... 33
108538..... 28	12127..... 69, 70, 71	125912..... 21	127614..... 33
108652..... 13, 18	12131..... 67, 68	125914..... 21	127615..... 33
108810..... 13	12132..... 67, 68	125915..... 21	127616..... 33
108851..... 13, 18	12137..... 66, 67	125916..... 21	127617..... 33
108852..... 18	122152..... 84	125918..... 21	127621..... 33
108853..... 13, 18	12219..... 73	125924..... 19	127622..... 33
108854..... 13, 18	122244..... 6, 7, 8, 9, 10, 11, 14, 15	125925..... 21	127624..... 33
108855..... 13, 18	12234..... 66, 67	125928..... 20	127625..... 33
108865..... 13, 18	12235..... 67, 68, 69, 70	125929..... 20	127626..... 33
109437..... 84	12240..... 69, 70, 71	125930..... 20, 21	127686..... 84
109438..... 21, 22, 23, 24, 25, 26, 27, 29, 31, 32, 33, 34, 36, 38, 89	12241..... 67,68,69, 70, 71	125931..... 20	12780..... 76
109512..... 21, 22, 23, 24, 25, 29, 31, 32, 33, 38, 39, 89	12242..... 68	125932..... 20, 38	127801..... 10, 11
111000..... 84	12247..... 67,68,69, 70, 71	125934..... 20, 38	127803..... 10
111001..... 84	12248..... 67,68,69, 70, 71	125935..... 20	127804..... 10
111002..... 84	12252..... 68	125937..... 20	127805..... 10
111003..... 84	12253..... 68	125939..... 21	127807..... 10
111100..... 84	12261..... 67, 68, 69, 70	125958..... 20	127808..... 10
11120..... 78	12277..... 61,67, 68,70, 74	125975..... 20, 21	127814..... 26
11130..... 78	12285..... 68	125976..... 20, 21	127815..... 26
111605..... 84	124509..... 20, 27, 34, 36	125979..... 21	127816..... 26
111610..... 84	124555..... 8, 9, 10, 11,12, 14, 15, 16, 19	12605..... 78	127817..... 26
11244..... 78	124560..... 8, 13, 14, 16, 17, 18, 19	12606..... 78	127818..... 26
11415..... 78	124570..... 20, 24, 25, 27, 29, 31, 32, 33, 34, 35, 36, 38, 89	127562..... 15	127819..... 26
116922..... 30		127563..... 9, 10, 11, 15	127821..... 26
116923..... 30, 51		127564..... 9, 10, 11, 15	127822..... 26
		127565..... 6, 7, 9, 10, 11, 15	127823..... 26
		127566..... 6, 7, 9, 10, 15	127825..... 26
		127567..... 6, 7, 9, 10, 11, 15	127826..... 26, 38, 39, 47
			127827..... 26
			127828..... 26
			127831..... 10

Part Number Index

127832..... 26	128609..... 27	129154..... 21, 22, 23, 24,	129611..... 6, 7
127833..... 26	128610..... 27	25, 26, 27, 29, 31, 32,	129612..... 7
127835A..... 26	128611..... 27	33, 34, 47, 90	129613..... 7
127836..... 26	128612..... 27	129160..... 20, 24, 25, 27,	129614..... 7
127838..... 26	128613..... 27	29, 31, 32, 33, 90	129616..... 6, 7
127839..... 10	128615..... 27	129161..... 25, 29, 32	129617..... 6, 7, 22, 23
127842..... 26	128616..... 27	129162..... 23, 25, 29, 32	129618..... 7
127843..... 26	128618..... 27	129164..... 25, 31, 32	129619..... 7
127844..... 9, 10, 11	128619..... 27, 38	129171..... 31, 32	129623..... 7
127846..... 26	128620..... 27, 38	129173..... 31, 32	129625..... 23
127848..... 26	128621..... 27	129174..... 20, 22, 23, 24,	129626..... 22
127859..... 22, 23, 26, 38	128624..... 20, 22, 23, 24,	25, 26, 27, 29, 31, 32,	129628..... 22
127865..... 10, 38	25, 26, 27, 30, 31, 32,	33, 34, 90	129631..... 22, 23
127868..... 26	33, 34, 38, 90	129178..... 22, 23, 24, 25,	129632..... 22
127869..... 26	128628..... 27	29, 31, 32, 33, 90	129633..... 22
127870..... 26	128631..... 11	129184..... 23, 24, 25, 29,	129634..... 22
127871..... 26	128632..... 11	31, 32, 33, 90	129635..... 7
127872..... 10	128633..... 11	129188..... 24, 25, 29, 31,	129636..... 22, 23
127873..... 9, 10, 11	128634..... 11	32, 90	129637..... 22
127874..... 10	128653..... 12	129195..... 24, 25, 29, 31,	129638..... 22, 23, 47
127876..... 10	128657..... 12	32, 90	129642..... 22, 23
127877..... 26	128658..... 12	129196..... 14	129644..... 22
127878..... 10	128705..... 12	129197..... 84	129645..... 7
127881..... 26	129001..... 84	129198..... 84	129648..... 22, 23
127905..... 10	129111..... 8, 14	129202..... 7, 8, 9, 14, 15	129652..... 22, 23
127925..... 10	129112..... 8	129203..... 7, 8, 9, 15	129655..... 22
128102..... 25	129117..... 14	129204..... 6, 7, 8, 9, 14, 15	129656..... 22, 23
128103..... 25	129118..... 8, 14	129205..... 7, 8, 9, 14, 15	129657..... 22, 23
128104..... 25	129119..... 8, 14	129207..... 7, 8, 9, 14, 15	129658..... 23
128105..... 25	129120..... 8, 9, 10, 11, 14	129209..... 6, 7, 8, 9, 14	129661..... 23
128108..... 25	129121..... 6, 7, 8, 14	129212..... 7, 8, 9, 14	129662..... 23
128111..... 9, 11	129122..... 14	129213..... 6, 7, 8, 9	129663..... 23
128113..... 9, 11	129123..... 8	129214..... 6, 7, 8, 9, 14	129665..... 23
128115..... 9	129124..... 8, 14	129216..... 8, 9, 10, 15	129669..... 23
128117..... 9, 11	129125..... 14	129226..... 8, 14	129672..... 22
128119..... 8, 9, 14	129126..... 6, 7, 8, 14	129227..... 8, 14, 38	129675..... 22
128121..... 9	129127..... 14	129236..... 31, 32	129676..... 22
128122..... 9	129128..... 8, 14	129237..... 32	129677..... 23
128123..... 9	129129..... 24, 31, 90	129281..... 24, 90	129678..... 22
128124..... 9, 11	129130..... 24, 31, 90	129282..... 24	129679..... 22, 23, 38
128126..... 25	129133..... 24, 25, 29, 31,	129289..... 24	129681..... 23, 38
128128..... 25	32, 33	129341..... 8	129684..... 22, 23
128142..... 9, 11, 38	129135..... 24, 31, 90	129343..... 24, 29, 38, 90	129686..... 23
128143..... 9, 11	129138..... 24, 31, 90	129344..... 29	129701..... 6
128205..... 11	129139..... 25, 29, 32	129346..... 8	129702..... 6
128245..... 9	129142..... 24, 31, 90	129349..... 8	129704..... 6
128265..... 9	129146..... 23, 24, 25, 29,	129351..... 29	129707..... 6
128540..... 27	31, 32, 90	129352..... 29, 38	129708..... 6
128545..... 11, 38	129147..... 24, 31, 90	129354..... 29	129709..... 6
128550..... 27	129148..... 24, 25, 29, 31,	129602..... 6, 7	129713..... 6
128595..... 27	32, 90	129603..... 7	129714..... 6
128602..... 27	129149..... 8, 14	129604..... 7	129716..... 6
128603..... 27	129150..... 24, 25, 29, 31,	129606..... 6, 7	129719..... 6
128604..... 27	32, 33	129607..... 6, 7	129721..... 6
128605..... 27	129151..... 10, 11, 12, 14,	129608..... 6, 7	129722..... 6
128606..... 27	19, 90	129609..... 6, 7	129723..... 22

Part Number Index

129726.....	22	15082.....	65	15194.....	59	15430.....	66, 67, 70
129731.....	23	15083.....	65	15195.....	59	15433.....	60
129732.....	22	15084.....	65	15196.....	58, 59	15434.....	60
129744.....	7	15087.....	65	15197.....	58, 59	15435.....	60
129746.....	7	15089.....	65	15201.....	58, 59	15436.....	60
129747.....	7	15090.....	65	15202.....	58, 59	15437.....	67, 68
129748.....	22, 23	15091.....	65	15203.....	58	15441.....	74
129749.....	22	15092.....	65	15204.....	58, 59	15442.....	74
129777.....	22	15093.....	65	15205.....	58, 59	15443.....	74
129784.....	22, 23	15094.....	65	15207.....	58, 59	15445P.....	60
129803.....	7, 38	15095.....	65	15210.....	58, 59	15504.....	60, 62, 64
129808.....	7	15096.....	65	15211.....	58, 59	15604.....	74
129809.....	7	15098.....	65	15214.....	58, 59	15610.....	62, 63, 64, 65
129811.....	6	15099.....	65	15215.....	58, 59, 62	15617.....	74
129861.....	26, 38	15100.....	62, 64, 65	15220.....	58, 59	15628.....	60, 62, 64
129862.....	26, 38	15103.....	65	15221.....	58, 59	15649.....	64
131260.....	77	15104.....	65	15222.....	58, 59	15650.....	74
131380.....	77	15106.....	65	15223.....	58, 59	15652.....	64
13145.....	76	15107.....	65	15224.....	58, 59	15665.....	68, 69, 70, 71, 74
13194.....	77	15110.....	65	15225.....	58, 59	156660.....	78
13207.....	73, 74	15112.....	65	15226.....	58, 59	156670.....	78
13211.....	74	15113.....	65	15227.....	58, 59	15706.....	63
13216.....	73, 74	15115.....	58, 59, 61	15228.....	58, 59	15709.....	62, 64
13220.....	73	15117.....	65	15234.....	58, 59	15714.....	64
13386.....	78	15118.....	65	15240.....	58, 59	15717.....	63
13400.....	78	15128.....	68	15241.....	58, 59	15718.....	62, 64
13525.....	78	15129.....	69, 70, 71	15243.....	38	15719.....	58, 59, 60, 62, 63, 64, 65
135260.....	78	15130.....	69, 70, 71	15260.....	62	15720.....	62, 64
13542.....	78	15132.....	65	15261.....	62	15724.....	62, 64
13586.....	78	15135.....	66, 67	15262.....	62	15735.....	64, 65
13587.....	78	15136.....	66, 67	15270.....	62	15736.....	62, 64
14011.....	78	15140.....	59	15280.....	62	15737.....	73, 74
14012.....	78	15161.....	58, 59, 62	15281.....	58, 62	15738.....	73, 74
14013.....	78	15162.....	58, 59, 62	15283.....	62	15741.....	62, 64
14014.....	78	15163.....	58, 59	15304.....	63	15742.....	62, 64
14015.....	78	15164.....	58, 59, 62, 64	15309.....	63, 64, 66, 67, 68, 69, 70, 71, 73, 74	15743.....	62, 64
14016.....	78	15170.....	58, 59	15401.....	61	15744.....	62, 64
14411.....	76	15171.....	58, 59	15402.....	61	15745.....	62, 64
14436.....	78	15172.....	58, 59	15403.....	61	15746.....	62, 64
14512.....	77	15173.....	58, 59	15404.....	61	15747.....	62, 64
14517.....	77	15174.....	58, 59	15405.....	61	15749.....	62, 64
14518.....	78	15175.....	58, 59	15406.....	61	15755.....	63
15020.....	65	15176.....	58, 59	15407.....	61	15756.....	63
15026.....	65	15177.....	58, 59	15408P.....	61	15757.....	63
15027.....	65	15178.....	58, 59, 62	15412.....	60	15758.....	63
15029.....	62, 64, 65	15179.....	58, 59, 62	15414.....	60	15759.....	63
15039.....	65	15181.....	58, 59	15415.....	60	15761.....	63
15049.....	65	15185.....	58, 59	15417.....	60	15762.....	86
15050.....	66, 67, 68	15186.....	58, 59	15423.....	60	15763.....	58, 59, 60, 62
15051.....	66, 67, 68	15187.....	58, 59	15424.....	60	15852.....	82
15055.....	65	15188.....	58, 59	15425.....	60	15901.....	64
15071.....	66	15189.....	58, 59	15426.....	60	16317.....	70
15072.....	66	15190.....	58, 59	15427.....	60	16319.....	70
15078.....	65	15191.....	38, 59	15428.....	67	16320.....	70
15080.....	65	15192.....	86	15429.....	60	16425.....	77
15081.....	65	15193.....	59				

Part Number Index

182030.....	78	413204.....	76	427090.....	71	42802.....	65
182040.....	78	413205.....	76, 79	4270901.....	70	42803.....	65
182050.....	78	413206.....	76	4270902.....	70	42804.....	65
182150.....	78	413207.....	76	4270903.....	70	42810.....	62
186590.....	76, 79, 81	413208.....	76, 79	4270904.....	70	428230.....	66
188980.....	77	413210.....	81	4270905.....	70	43019.1.....	66
188990.....	76	41942.....	83	427091.....	71	43019.2.....	66
214204.....	57	41952.....	70	427092.....	71	43019.3.....	66
216047.....	27	422441.....	83	427093.....	71	43019.5.....	66
220312.....	82	422613.....	83	427094.....	71	43020.1.....	66
220313.....	82	42314.....	86	427095.....	71	43020.2.....	66
25455.....	38, 58, 65	42315.....	86	427096.....	67, 68, 69, 71	43020.3.....	66
261888.....	83	42316.....	86	427097.....	70	43020.4.....	66
261889.....	83	42410.....	82	427101.....	68	43020.5.....	66
261891.....	83	42411.....	82	427102.....	68	430411.....	66
280000.....	55	42454.....	83	427103.....	68	430412.....	66
280013.....	55	42457.....	82	427104.....	67	430413.....	66
280040.....	55	42458.....	83	42716.....	66, 70	430414.....	66
28228.....	66, 67, 68, 69, 70, 71, 73	42485.....	56	42718.....	71	430415.....	66
388300.....	68	42608.....	38, 65	427189.....	68	431411.....	66
388345.....	68	42609.....	38, 62, 64, 91	427190.....	67, 69, 70	431412.....	66
388360.....	68	42611.....	71, 86	427191.....	67, 68, 69, 70	431413.....	66
388380.....	68	42626.....	38	427192.....	67, 68, 69, 70	431414.....	66
388460.....	68	42628.....	38	427193.....	67, 69, 70	431415.....	66
390147.....	28	42631.....	38	427194.....	67, 68, 69, 70	4394051.....	73
394052.....	73	42639.....	38, 58, 65	427195.....	67, 68, 69, 70	44822.....	38, 39, 62, 64, 66, 67, 68, 69, 70, 71
41016.....	86	42641.....	65	427196.....	67	44825.....	38, 39, 62, 64, 66, 67, 68, 69, 70, 71
41128.....	79	42652.....	83	42726.....	66, 70	44827.....	38, 39, 60, 62, 64, 66, 67, 68, 69, 70, 71
41175.....	79	427020.....	71	42738.....	61, 71, 74	44833.....	38, 39, 60, 62, 64, 66, 67, 70
413100.....	77, 81	427021.....	71	42746.....	73	44836.....	38, 39, 60, 66, 67, 70
413109.....	81	427022.....	71	42751.....	66, 70	44840.....	38, 39, 60, 66, 70
413138.....	81	427024.....	71	42752.....	70	45822.....	38, 39
413139.....	81	427025.....	71	42754.....	66, 67, 68, 69, 70, 71, 73, 74	45825.....	38, 39
413141.....	81	427030.....	66	42764.....	66, 67, 74	45827.....	38, 39
413147.....	81	427031.....	71	42767.....	66, 67, 70	45833.....	38, 39
413149.....	81	427032.....	71	42768.....	66, 69, 70	45836.....	38, 39
413163.....	81	427033.....	71	42772.....	63, 68	45840.....	38, 39
413164.....	81	427034.....	71	42773.....	60, 66, 67, 70	502503.....	82
413165.....	81	427038.....	66	42778.....	68	502505.....	82
413166.....	77	427039.....	66, 68, 69, 70	42779.....	68	502506.....	82
413167.....	77	427040.....	66, 70	42780.....	68	502514.....	82
413168.....	77	427041.....	71	42781.....	68	502521.....	82
413170.....	81	427042.....	66	42782.....	68	502522.....	82
413174.....	81	42705.....	71	42783.....	63, 68	502524.....	82
413176.....	80	427051.....	71	42784.....	68	502527.....	82
413186.....	80	427052.....	71	42785.....	68	502528.....	82
413188.....	81	427054.....	71	42786.....	68	502537.....	82
413190.....	81	427055.....	71	42788.....	68	502538.....	82
413191.....	77	427056.....	71	42789.....	68	502608.....	82
413194.....	76, 77, 81	427057.....	71	42790.....	68	502611.....	82
413195.....	76, 77	427072.....	66, 67, 68	42791.....	68	502738.....	82
413196.....	76, 77	427085.....	68	42797.....	66, 67, 68, 69, 70		
413197.....	76, 77	427086.....	68	42798.....	66, 69, 70		
413202.....	77	427087.....	68	42799.....	66		
413203.....	81	427089.....	71	42800.....	62		

Part Number Index

502739.....82	820008..... 35	838032..... 72	AP0203/1.....
503605.....82	820009P..... 6, 7, 8, 9, 14,	845021..... 55, 57	39,48,49,50,52
503628.....82	15, 24, 31, 33, 92	845058..... 55, 57	AP0203/S.....39, 54
503629.....82	820010P..... 6, 7, 8, 9, 14,	845097..... 8, 13, 16, 17,	AP0206..... 39, 49, 50, 51,
503795.....82	17, 20, 22,23,24,25,26,	18, 19	52, 54
503796.....82	27, 28, 29, 30, 31, 32,	852014..... 72	AP0211..... 39, 43, 44, 45
504652.....82	33, 34,35,36, 37,55, 56,	852021..... 72, 73	AP0211/S.....39, 40, 41
505020.....82	57,58, 59,60, 61, 65	860037..... 28	AP0219/AA.....39, 48, 49,
505565.....82	820011P..... 6, 7, 8, 9, 10,	860137..... 35, 36	50, 51, 52, 53, 54
507708.....82	11, 12, 13,14,15,16, 17,	861068..... 13, 18	AP0227/AA..... 39, 46
507709.....82	18,19, 20,22, 23,24, 25,	863051..... 8, 13, 14, 16,	AP0228..... 46
5108M..... 79	26,27, 28, 29,30, 31,32,	17, 18, 19	AP0241/AA.....39, 41, 42,
5116230.....84	33, 34, 35,36, 37,	900000..... 17, 38	43, 44, 45
5236..... 79	58,59,60,62,64,65, 92	900001..... 13, 16, 18	AP0249..... 39, 48
5237..... 79	820013P..... 17, 26, 65	900002..... 38	AP0250..... 39, 40
52406A.....56	820014P..... 13, 17, 18,22,	900003..... 35, 38	AP0254..... 39, 47
5240-KIT.....56	28, 56, 62, 64	900009..... 38	AP0274..... 44
5404M..... 77	820015P..... 12, 20, 22,23,	900010..... 27, 30, 34, 36,	AP0350..... 50
5505..... 79	24, 25, 26, 29, 30, 31,	37, 38	AP0351..... 50
5506..... 76, 79	32, 33, 34, 36, 37, 55,	900012..... 24, 25, 26, 29,	AP0352..... 49
5590..... 87	57, 58, 59, 92	31, 32, 33, 38	AP0361..... 44
5983..... 80, 81	820016P..... 15, 33, 35,62,	900013..... 28, 38	AP0362..... 42
5984..... 80	64, 65	900014..... 10, 11, 14, 38	AP0363..... 41
621131.....83	820017P..... 16, 19, 27	900015..... 12, 38	AP0367-1..... 43
621132.....83	820018P..... 26, 33, 58, 59	900016..... 19, 20, 21, 38	AP0371..... 39, 40
621502.....83	820038P..... 6, 7, 8, 9, 10,	900017..... 6, 7, 8, 14, 38	AP0480K.....39
622600.....83	11, 14, 15, 16,17,18, 19	900018..... 9, 15, 38	AP0510SQ.....53
622605.....83	820039P..... 13, 18	900020..... 38, 60, 93	AP0517..... 45
622610.....83	820043P..... 60, 62, 64	900021..... 38, 58, 59	AP0527..... 45
622680.....83	820062P..... 12	900022..... 22, 23, 38	AP0528..... 45
622690.....83	820072P..... 6, 7, 8, 9, 10,	910912..... 13	AP0574..... 54
622695L.....83	11, 14, 15, 16, 19, 92	921019..... 55, 57	AP0620..... 39, 41
622695R.....83	820080P..... 6, 7, 8, 9, 10,	944022..... 84	AP0810..... 40
62587..... 83	11, 13, 14, 15, 16, 17,	957004P.....12, 13, 16, 17,	AP0810G.....40
62588..... 83	18, 19	18, 77, 79, 81	AP0810P..... 40
62589..... 83	820092..... 62, 64	957007P..... 55, 57	AP0810TL.....40
62911..... 83	820094P..... 6, 7, 8, 9, 10,	957025P..... 18, 28, 35, 36,	AP0811..... 47
6310..... 76, 79	11, 13,15, 16,17, 18, 19	62, 64, 93	AP0811G.....47
6311..... 79	820120P..... 13, 18, 55,	Symbols	AP0811P..... 47
700418.....13, 18	57, 63, 65	AP0137NHP.....39	AP0811TL.....47
704014.....73, 74	820214P..... 55, 56, 57	AP0146180IMP..39	AP0903K..... 39
730486.....76, 79, 81	820306..... 22	AP0163..... 40	AP1000K..... 39
734332.....82	820311P..... 60, 63	AP0168..... 40	AP1151..... 23, 24, 25,
734333.....82	820312P..... 59, 63	AP0175F.....47	29, 31, 32, 48, 49, 50,
734407.....82	820314..... 35	AP0175M.....47	52, 53, 54, 93
734408.....82	820322P..... 6,7,8,9,14, 15	AP0175T.....47	AP1154P..... 47, 48, 49,
734409.....82	821011..... 55	AP0175TL.....47	50, 51, 52, 53, 54
734411.....82	821014..... 55, 57	AP0189NHP.....39	AP1157P..... 75
745930.....81	821026..... 13, 18	AP0195..... 39	AP1159P..... 48, 49, 54
761947.....69	824407P..... 6, 7, 8, 9, 10,	AP0198..... 39	AP1166P..... 40, 41, 42,
762325.....68, 72	11, 14, 17	AP0198NHP.....39	43, 44, 45
778559.....58, 59, 62, 64	828005..... 13, 18	AP0199..... 39	AP1267P..... 47, 48, 49,
778564.....60, 62, 64, 65	828510..... 55, 57	AP0200..... 39, 47	50, 51, 52, 53, 54
778679.....86	828515..... 55, 57	AP0201..... 39, 47	AP1298P..... 40, 48
778694.....86	834023..... 28	AP0203..... 39, 52, 53, 54	AP1299P..... 40, 41, 42,
820007P.....12, 26	838031..... 72, 73		43, 44, 45

Part Number Index

AP1300P..... 41, 42, 43, 45, 48	AP1482..... 41, 42, 44, 45, 46	AP5002..... 48, 49, 50, 52, 53, 54	AP5763..... 40
AP1402..... 41,42,44,45	AP1482T.....41	AP5003..... 50, 52	AP5764..... 40
AP1403..... 41, 44, 45	AP1483..... 41, 42, 43, 44, 45	AP5013PVDS..48, 54	AP5766..... 40
AP1403PVDS...41	AP1484..... 41, 43, 44, 45, 46	AP5013/S.....48, 54	AP5767..... 40
AP1403/S..... 41, 42	AP1484PVDS..41	AP5014..... 42	AP5768..... 40
AP1404..... 41, 42,44,45	AP1484/S.....41, 42	AP5015..... 53, 54	AP5769..... 40
AP1406/1.....41,42, 44, 45	AP1485..... 45	AP5101..... 41, 46	AP5770..... 40
AP1407..... 41, 44, 45	AP1486..... 44	AP5101PVDS..41	AP5800..... 52, 54
AP1407/S.....41, 42	AP1487..... 41, 42, 44	AP5102..... 42	AP5801..... 52, 54
AP1408..... 40, 41,42,43, 44, 45	AP2020..... 24, 29, 52, 53, 54	AP5103..... 44	AP5801GREY..54
AP1409P.....40, 41,42,43, 44, 45, 47, 48, 49, 50, 51, 52, 53, 54	AP2021..... 22, 23, 24, 25, 26,29,31,32, 33,47, 48, 49, 50,51,52,53, 54, 93	AP5104..... 43	AP5801/Y.....52, 54
AP1410P..... 41, 42,43,44, 45, 52, 53, 54	AP2022..... 22, 23, 24, 25, 26,29,31,32, 33,47, 48, 49, 50,51,52,53, 54, 93	AP5105..... 43	AP5802..... 48, 49, 50, 52, 54
AP1413..... 40, 41,42,43, 44, 45	AP2023..... 53	AP5106..... 43	AP5802/C.....54
AP1414..... 44	AP2025..... 53	AP5201..... 45	AP5803..... 48, 49, 50, 52, 54
AP1415..... 40, 41,42,43, 44, 45	AP2026..... 53	AP5202..... 43, 45	AP5804..... 54
AP1419..... 41, 42, 43, 44, 45	AP2026/Y..... 53	AP5309..... 41, 42	AP5805..... 24, 29, 52, 54
AP1420P.....44	AP2028..... 52, 53, 54	AP5309B.....41	AP5807..... 52, 54
AP1429..... 52, 53, 54	AP2028/S.....54	AP5324K.....39, 47, 48,49, 50, 52, 53, 54	AP5807/Y.....52, 54
AP1438P.....22, 23,24,25, 29, 31, 32, 44, 48, 49, 50, 52, 53, 54, 93	AP2029..... 53	AP5339..... 54	AP5819..... 54
AP1445P.....40, 41,42,43, 44, 45, 75	AP2029-1.....50, 52	AP5695..... 40	AP5821..... 52
AP1446..... 43, 44, 45	AP2030..... 53	AP5701..... 75	AP5822..... 52
AP1446G.....45	AP02031.....24, 25, 29, 31, 32, 39	AP5702..... 75	AP5830..... 48, 49, 54
AP1461..... 39, 48,49,50, 52, 53, 54	AP2033..... 22, 23, 24, 25, 26, 29, 31, 32, 33, 48, 49, 50, 52, 53, 54, 93	AP5703..... 75	AP6201..... 40, 41
AP1461Y.....39, 49,50,51, 52, 54	AP2034..... 24, 25, 26, 29, 31, 32, 33, 48, 49, 50, 51, 52, 53, 54, 93	AP5704..... 75	AP6202..... 40, 41, 42, 43, 44, 45
AP1470..... 43, 44, 45	AP2035..... 47, 48, 49, 50, 51, 52, 53, 54	AP5705..... 75	AP6210..... 48, 49, 50
AP1470/S..... 41, 42	AP2036..... 22, 23, 24, 25, 26, 29, 31, 32, 33, 48, 49, 50, 52, 53, 54, 93	AP5706..... 75	AP6211..... 48, 49, 50
AP1471..... 41, 43,44, 45	AP2037..... 48, 49, 50, 52, 53, 54	AP5707..... 47, 51	AP6211G.....50
AP1471/S.....41, 42	AP2038..... 24, 25, 29, 31, 32, 48, 49, 50, 52, 53, 54, 93	AP5711P.....47,48,49,51,54	AP6211Y..... 49, 50
AP1472..... 41, 42, 43, 44, 45	AP2039..... 52, 53, 54	AP5713..... 40	AP6212..... 48, 49, 50
AP1473..... 41, 42,44, 45	AP2039/Y.....52	AP5714..... 40	AP6212G.....50
AP1474..... 41, 42, 43, 44, 45	AP2040..... 53	AP5716..... 40	AP6212Y..... 49, 50
AP1475..... 41, 42,43,44, 45, 46	AP2041P.....22, 23, 24, 25, 26, 29, 31, 32, 33, 48, 49, 50, 52, 53, 54, 93	AP5717..... 40	AP6213..... 48, 49, 50
AP1476..... 41, 42, 43, 44, 45	AP2053..... 53	AP5721..... 41	AP6214..... 48, 49, 50
AP1477..... 42, 44, 45	AP03532.....48	AP5722..... 41	AP6214Y..... 49, 50
AP1478..... 41, 42, 43, 44, 45	AP03611.....44	AP5723..... 41	AP6215..... 48, 49, 50
AP1479..... 42, 43,44, 45	AP03631.....41	AP5724..... 41	AP6216..... 48, 49, 50
AP1480..... 44, 46	AP5001..... 53	AP5725..... 41, 42, 43, 46	AP6216S..... 48
AP1481..... 44		AP5731..... 75	AP6217..... 48
		AP5739..... 41	AP6217PVDS...48
		AP5745..... 75	AP6218..... 49, 50
		AP5746..... 75	AP6218G..... 50
		AP5750..... 40	AP6218Y..... 49, 50
		AP5751..... 40	AP6219G..... 50
		AP5751G.....40	AP6219K..... 48, 49, 50
		AP5751P.....40	AP6220K..... 48, 49, 50
		AP5751TL.....40	AP6221B..... 48
		AP5752..... 40	AP6221GREY...49
		AP5753..... 40	AP6221S..... 48
		AP5754..... 40	AP6221Y..... 49
		AP5755..... 40	AP6222..... 48, 49, 50
		AP5756..... 40	AP6223..... 47,48,49,50
		AP5757..... 40	AP6224..... 48, 49, 50
		AP5758..... 40	AP6224N..... 50
		AP5759..... 40	

Part Number Index

AP6225.....	48	AP7596P.....	47	V6281.....	76, 79
AP6226.....	48	AP7596Y.....	47		
AP6227.....	49	AP7610.....	39, 75		
AP6228.....	50	AP14731.....	41, 42, 43		
AP6228N.....	50	AP14741.....	45		
AP6229.....	50	AP14771.....	45		
AP6230.....	48, 49, 50	AP14821.....	41, 42, 43		
AP6236.....	39, 47	AP100181.....	47		
AP6236Y.....	39, 47	AP522002P.....	75		
AP6238.....	48	APF124563.....	25, 31, 32, 33, 34, 35, 36, 38		
AP6239.....	41	APF124565.....	35, 36, 38		
AP6577.....	48, 49, 54	APF124566.....	25, 30, 32, 33, 34, 35, 36, 37, 38		
AP6577PVDS.....	48, 54	AT20.....	85		
AP6577/S.....	48, 54	AT21.....	85		
AP6578.....	48, 49, 54	AT30.....	85		
AP7100.....	39, 47	AT31.....	85		
AP7100Y.....	39, 47	AT42.....	85		
AP7500.....	46	AT45.....	85		
AP7501.....	46	AT47.....	85		
AP7502.....	46	AT51.....	85		
AP7505.....	46	AT62.....	85		
AP7506.....	46	AT68.....	85		
AP7507.....	46	AT69.....	85		
AP7508.....	46	AT70.....	85		
AP7510.....	46	AT71.....	85		
AP7512.....	46	AT72F.....	85		
AP7518.....	46	AT74.....	85		
AP7520.....	46	AT75.....	85		
AP7550.....	51	AT76.....	85		
AP7551.....	51	AT77.....	85		
AP7553.....	51	AT79K.....	85		
AP7554.....	51	AT7009.....	86		
AP7556.....	51	K4515.....	80		
AP7557.....	51	K5166.....	79		
AP7558.....	51	K5168.....	79		
AP7560.....	51	K5172.....	79		
AP7561.....	51	K5200.....	79		
AP7562.....	51	K5201.....	79		
AP7563.....	47, 51	K5459.....	76, 79		
AP7570.....	47	K5534.....	77		
AP7577.....	47	K5542.....	77		
AP7578.....	47	K5630.....	87		
AP7579.....	47	K5854.....	87		
AP7581.....	47	K5868.....	80		
AP7582.....	47	L5838.....	80		
AP7584.....	47	L5884.....	80		
AP7586.....	47	V5306.....	79		
AP7589.....	47	V5501.....	87		
AP7589F.....	47	V5502.....	87		
AP7589G.....	47	V5505.....	87		
AP7589Y.....	47	V5506.....	87		
AP7590.....	47	V5824.....	77		
AP7592.....	47	V5876.....	76		
AP7595.....	47	V5887.....	79		
AP7596B.....	47, 75				
AP7596G.....	47				



AQUA  LUNG®

 **apeks**


SUUNTO

TOLL FREE ORDER DESK

800.775.DIVE (3483)
from 7:00AM to 5:00PM PST Monday - Friday

AQUA  LUNG®

2340 Cousteau Court, Vista, CA 92081, U.S.A.

www.aqualung.com

© 2012 Aqua Lung International
All Rights Reserved REV:06/2012 Part #