

AQUA  LUNG®

2011 SPARE PARTS CATALOG



AQUA  LUNG®

 **apeks**

*seaQuest*®

 **SUUNTO**

[www.aqualung.com](http://www.aqualung.com)



## ONLINE TRAINING PROGRAM

Aqua Lung offers online training courses through our secure B2B or Technician Only are at [www.aqualung.com](http://www.aqualung.com)

Successful completion of a course results in a printable wall certificate acknowledging the store or technician and provides access to repair manuals, associated schematics, bulletins and resource materials.



To learn more about online training or to purchase access codes, logon to the B2B or Tech Only site and click the Online Training found under *Technical Support*.

### BENEFITS:

- Online courses serve as a qualification program and an up-to-date reference source
- Training can take place anytime 24/7 and anywhere the internet is available
- Each course contains multimedia, text, photos, illustrations and videos and can be paused and resumed as needed with knowledge retention measured by quizzes along the way
- After the course has been successfully completed, the student may return as often as they wish as long as they remain employed by an Aqua Lung dealer.
- Allows Aqua Lung to communicate directly with service department personnel
- Affordable, the \$40.00 per course fee can be recovered by servicing just one regulator

## Table of Contents

How to Use the Spare Parts Catalog & Price List.....	4
Terms & Conditions.....	5

### AQUA LUNG FIRST STAGES

Legend Series.....	6
Titan LX.....	7
Mikron.....	8
Titan•Titan O2.....	9
Kronos•Kronos Supreme.....	10
Calypso (2004 to present).....	11
Conshelf XIV & XIV Supreme.....	12
Titan (discontinued).....	13
Cousteau•SEA (discontinued).....	14
Conshelf SE3•SE2•SE2 Supreme (discontinued).....	15

### MISTRAL REGULATOR (discontinued)

Mistral Regulator (discontinued).....	16
Mistral First Stage (discontinued).....	17
Mistral Second Stage (discontinued).....	18
Mistral Mouthpiece (discontinued).....	19

### AQUA LUNG SECOND STAGES

Legend LX•Leg LX Supreme•Leg LX Glacia.....	20
Titan LX•Titan LX Supreme•Legend•Leg Supreme... ..	21
Mikron•Mikron Octopus.....	22
Titan•Titan Octopus.....	23
Kronos•Kronos Supreme•Kronos Octo.....	24
Calypso•Calypso O2•Titan•Octopus.....	25
Conshelf XIV.....	26
ABS Octopus.....	27
Legend Glacia•Glacia Octopus (discontinued).....	28
Micra ADJ (discontinued).....	29
Titan•Cousteau•Calypso•Partner•Octopus(98-04) (discontinued).....	30
Glacia•Glacia Octopus (discontinued).....	31
LPO (Discontinued).....	32

<b>Common Spares</b> .....	33
----------------------------	----

### APEKS FIRST STAGES

Flight.....	34
XTX 200/Tungsten•ATX 200/Tungsten.....	35
XTX 100•ATX 100.....	36
TEK 3.....	37
XTX 50•ATX 50•TX 50•XTX 40•ATX 40.....	38
XTX20•AT20•DS4.....	39
Status (discontinued).....	40

### APEKS SECOND STAGES

Flight•Flight Octopus.....	41
XTX200/Tungsten•XTX100•XTX50/Octopus.....	42
XTX40•XTX40 Octopus•XTX20/Octopus.....	43
Egress.....	44
ATX40•AT20•ATX40 Octopus•AT20 Octopus.....	45
ATX200/Tungsten•ATX100•ATX50/Octopus (disc) ...	46
TX50 (discontinued).....	47

### CYLINDER VALVES

Twin Tank Manifold w/Reserve.....	48
K-Valve•DIN Valve•Z-Valve Air.....	49
J-Valve.....	50

### AIRSOURCE & INFLATORS

Airsource 3.....	51
i3 Inflator & Oral Assembly.....	52
Flat E-Valve.....	53
New Powerline.....	54
Apeks Inflator Assembly.....	55
Powerline Inflator w/Dual Valve (discontinued).....	56
Air Source 2 (discontinued).....	57

### BUOYANCY COMPENSATORS (Current Models)

Balance•Libra•Black Diamond•Dimension i3•Lotus i3• Black Diamond.....	58
Pearl•Pearl i3•Pro QD i3•Pro QD•Pro LT• Wave 2010.....	59
WTX (Apeks)•Zuma.....	60

### BUOYANCY COMPENSATORS (Discontinued Models)

Diva LX•Diva XLT•Diva QD•Diva•Latitude/XLT.....	60
Malibu•Pacifica•Passport•Pro•Pro-QD/XLT/Unlim. .	61
Spectrum 1•Wave(AQ)•Wave Jr(AQ).....	62
Miscellaneous.....	62

### BACKPACKS & ACCESSORIES

Mariner Twin Backpack.....	63
Kam Pac•Twin Harness•Military BC.....	64
Cap-off Kit•Dump Valve Kits•CO2 Assembly.....	65

### DIVE COMPUTERS AND GAUGES

Apeks Analog Instruments.....	66
Cobra 3•Cobra 2•Cobra.....	67
Vytec/DS•Vyper/Air/2•Gekko•Transmitter.....	68
D4•D6•D9.....	69
CB Console•Quick Disconnect.....	70
Stinger•Spyder•Mosquito•D3.....	71
Hose Mounts•Compass WristBoot•Straps•Misc.....	72

### ACCESSORIES

Masks•Snorkels.....	73
Fins•Knives.....	74

### TOOLS

Aqua Lung•Sea Quest Regulator Tools.....	75
Apeks Regulator Tools.....	76
BC & Air Source•Valve Tools.....	77
Suunto HP Quick Disconnect Tools.....	78

### INDEX

Parts Index.....	79
------------------	----

## How to Use the Spare Parts Catalog & Price List

The Spare Parts Catalog & Price List are designed to be easy-to-use references for locating currently available part numbers and prices for most Aqua Lung products, including regulators, BCs, valves, instruments and rubber goods. It is not intended to be a substitute for the various Aqua Lung Repair Manuals. Because the schematic drawings and parts listed contain the most recent revisions to the products shown, this document should be referred to exclusively whenever ordering replacement parts.

### Finding the part number and price

There are three simple steps for finding a part number and its price:

- Find the product in the Table of Contents of this catalog and turn to the appropriate page.
- Find the part in the exploded drawing and note the key number. Find the key number in the parts listing located below the exploded drawing. Next to the key number is the part number.
- Refer to the **Spare Parts & Specialty Tools Price List**, and locate the part number. Next to the part number is the dealer price and retail price.

### Mandatory overhaul replacement parts

Some products have mandatory overhaul replacement parts, which should be replaced every time the product is serviced. Any part in **BOLD ITALICS** is considered a mandatory overhaul part, and should not be reused under any circumstances after the product has been disassembled. These parts can be ordered individually, or in complete kits which are available for each model regulator.

### Parts no longer available (NLA)

Some older, discontinued products have parts that are no longer available. If a part was never or no longer available, the letters NLA will replace the part number in the parts list.

### Parts no shown (N/S)

Part are available but not shown on the schematic.

### Using the Part Number Index

If you know the part number for a specific item and want to find where it is used (or isn't used), you will want to use the Part Number Index . To use the index, you first need to locate the part number in the listing. Next to each part number are the page numbers on which the part can be found. If, for example, you want to know what products use the 108510 medium pressure seat, you can refer to the Part Number Index, where you will find the pages to the products that use 108510.

### A Reminder

Parts may only be sold to Authorized Aqua Lung Pro-Line Dealers, and must be installed only by technicians who have received factory authorized training. Proper storage is important to ensure the quality of these parts. Be sure to store parts in a manner to prevent premature degradation of rubber and other soft materials, and to prevent damage to those parts which contain delicate sealing surfaces.

# Terms & Conditions

Effective January 01, 2011

## Placing Orders

- Orders may be placed through the Sales Office in Vista, California, Aqua Lung Toll Free Order Desk: (800) 775-3483  
Aqua Lung Toll Free Fax: (800) 882-3483  
International Tel: +1-760-597-5000  
International Fax: +1760-597-4900
- Via our B2B (business to business) “dealers only” section at [www.aqualung.com](http://www.aqualung.com)
- Or with your Regional Sales Manager

## Pricing Terms and Policies

- C.O.D. or Terms subject to Credit Department approval
- Credit Card purchases (Visa & Mastercard only) and payments will receive same discounts as C.O.D.
- Discounts will not be allowed if account is past due
- All prices are subject to change without notice
- A late charge of 1.5% per month will be assessed on invoices unpaid after the due date. In the event that this late charge exceeds the maximum permitted by applicable law, it shall be reduced to the legal maximum
- A \$50.00 service charge will be required for all returned checks
- Possession of a Price List does not constitute an offer to sell. Aqua Lung America reserves the right to accept or reject all orders
- A \$10.00 processing fee will be added to orders below \$50.00
- A 10% fee on the total purchase amount will be applied to drop shipments

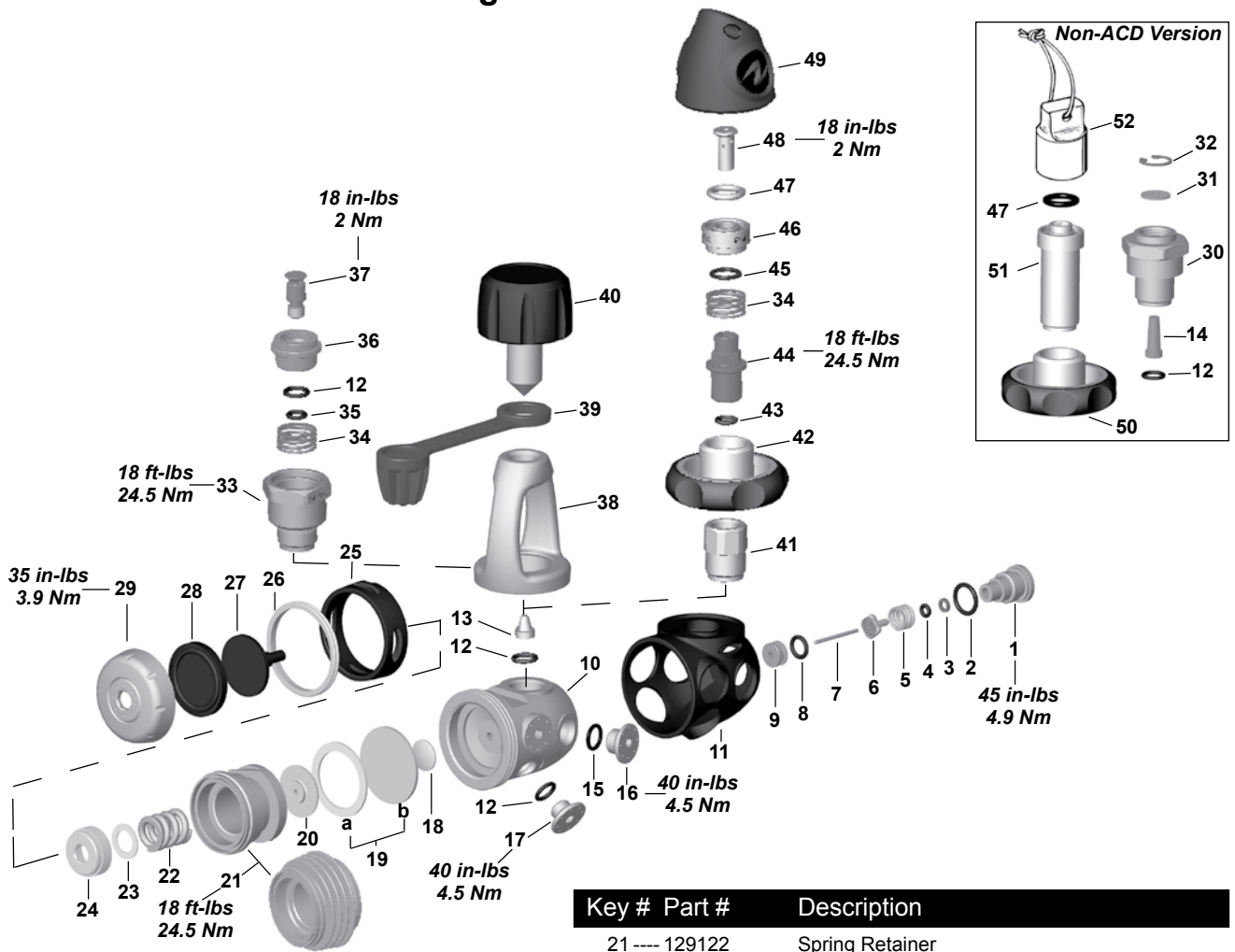
## Freight Program and Shipping Policies

- Delivery to carrier constitutes delivery to purchaser (ex-factory)
- Claims for merchandise damaged, lost or not delivered must be filed with the carrier and Aqua Lung within 48 hours
- Claims for shortage on sealed cartons must be filed with Aqua Lung within 5 days after receipt of shipment
- Aqua Lung America will not guarantee carrier delivery schedule
- Dealer is responsible for full freight charges on refused shipments

## Return and Replacement Policy

- All merchandise returned to Aqua Lung America for credit requires a completed Return Authorization form with a Return Authorization Number (RMA)
- Authorized returns must be freight pre-paid
- All merchandise returned without an authorization number will be refused
- All returned merchandise is subject to a 15% restocking fee

## Legend Series

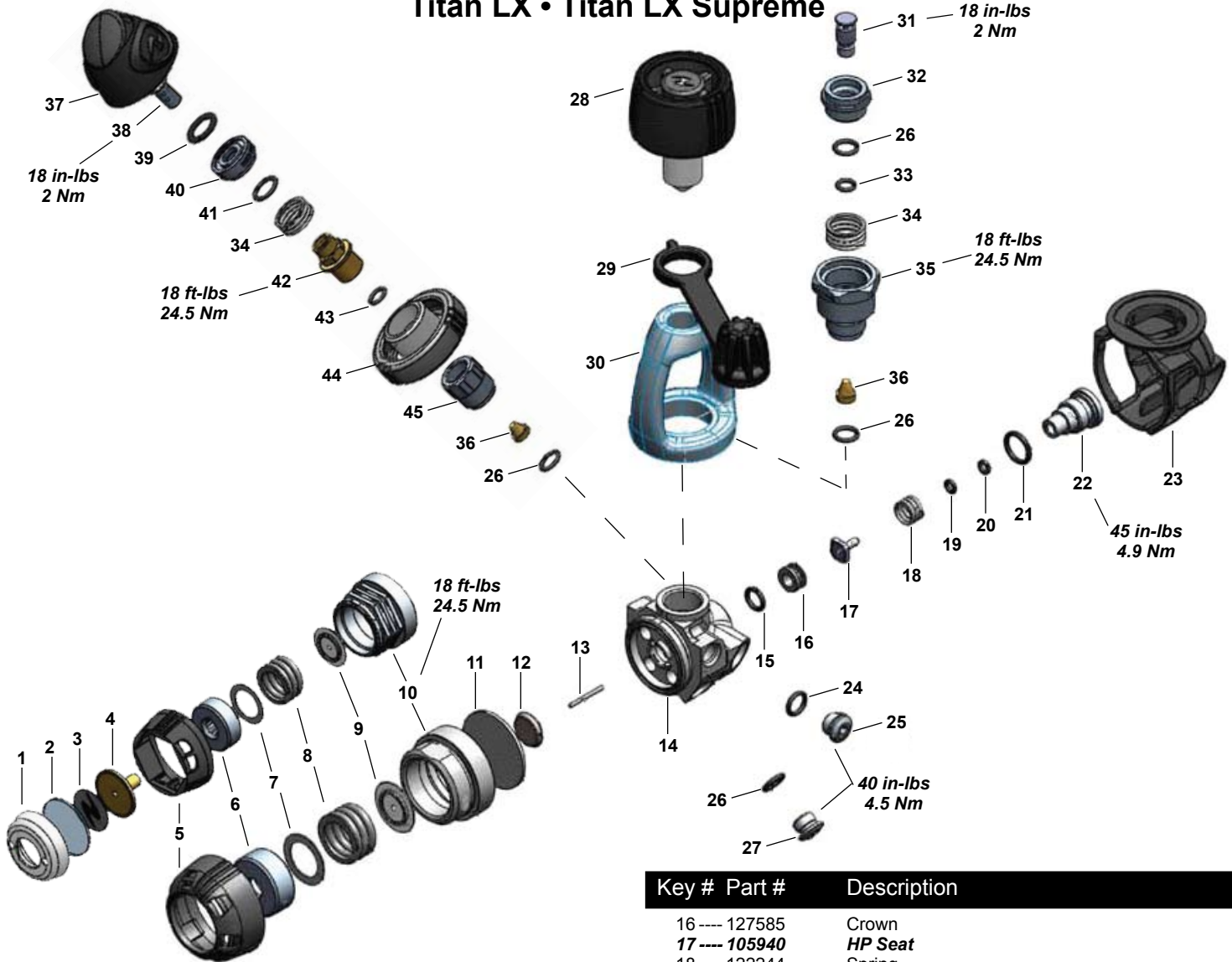


Key #	Part #	Description
----	129220	First Stage Legend ACD, Yoke
----	129225	First Stage Legend ACD, DIN
----	129346	First Stage, Glacia Legend, Yoke
----	129226	ACD Conversion Kit, Yoke
----	129227	ACD Conversion Kit, DIN
----	<b>900017</b>	<b>Overhaul Parts Kit ACD (Yoke and DIN)</b>
----	<b>900014</b>	<b>Overhaul Parts Kit (Yoke and DIN)</b>
1----	129120	HP Plug
<b>2----</b>	<b>824407P</b>	<b>O-ring (20 pk)</b>
<b>3----</b>	<b>119129</b>	<b>Backup ring</b>
<b>4----</b>	<b>820080P</b>	<b>O-ring (25 pk)</b>
5----	122244	Spring
<b>6----</b>	<b>105940</b>	<b>HP Seat</b>
7----	102002	Pin
<b>8----</b>	<b>820038P</b>	<b>O-ring (20 pk)</b>
9----	106027	Crown
10----	129111	Body
11----	129112	Protective Cover
<b>12----</b>	<b>820011P</b>	<b>O-ring (25 pk)</b>
<b>13----</b>	<b>129209</b>	<b>Filter, ACD</b>
<b>14----</b>	<b>129151</b>	<b>Filter</b>
<b>15----</b>	<b>820072P</b>	<b>O-ring, HP Port (20 pk)</b>
16----	129118	Plug, HP Port, 7/16 inch
17----	129119	Plug, MP Port, 3/8 inch
18----	129121	Pin Support
<b>19----</b>	<b>103425</b>	<b>Diaphragm Kit (includes thrust washer 19a and diaphragm 19b)</b>
20----	124560	Spring Pad

Key #	Part #	Description
21----	129122	Spring Retainer
----	129341	Spring Retainer, Glacia
22----	106356	Main Spring
23----	845097	Washer
24----	106026	Adjustment Screw
25----	129128	Spacer
26----	129127	Ribbed Washer
27----	129123	Piston
28----	129126	Diaphragm, Secondary
29----	129196	Cap, Chrome
----	129349	Cap, Glacia
30----	129124	Inlet Fitting
31----	129149	Shield
32----	863051	C-Clip
33----	129212	Yoke Retainer, ACD
34----	129204	Spring, ACD
<b>35----</b>	<b>820009P</b>	<b>O-ring (10 pk)</b>
36----	129205	Yoke Crown, ACD
37----	129207	Yoke Valve, ACD
38----	124611	Yoke, Chrome
39----	124555	Dust Cap
40----	107507	Yoke Screw
41----	129214	DIN Filter Holder
42----	129215	DIN Handwheel, ACD
<b>43----</b>	<b>820010P</b>	<b>O-ring (25 pk)</b>
44----	129213	DIN Screw, ACD
<b>45----</b>	<b>820322P</b>	<b>O-ring (10 pk)</b>
46----	129203	DIN Shutter Crown, ACD
<b>47----</b>	<b>820094P</b>	<b>O-ring (20 pk)</b>
48----	129202	DIN Shutter Valve, ACD
49----	129216	DIN Cap, ACD
50----	129117	DIN Handwheel
51----	129125	DIN Fitting
52----	107443	DIN Cap

Part numbers in **BOLD ITALICS** indicate standard overhaul replacement part.

# Titan LX • Titan LX Supreme



Key #	Part #	Description
-------	--------	-------------

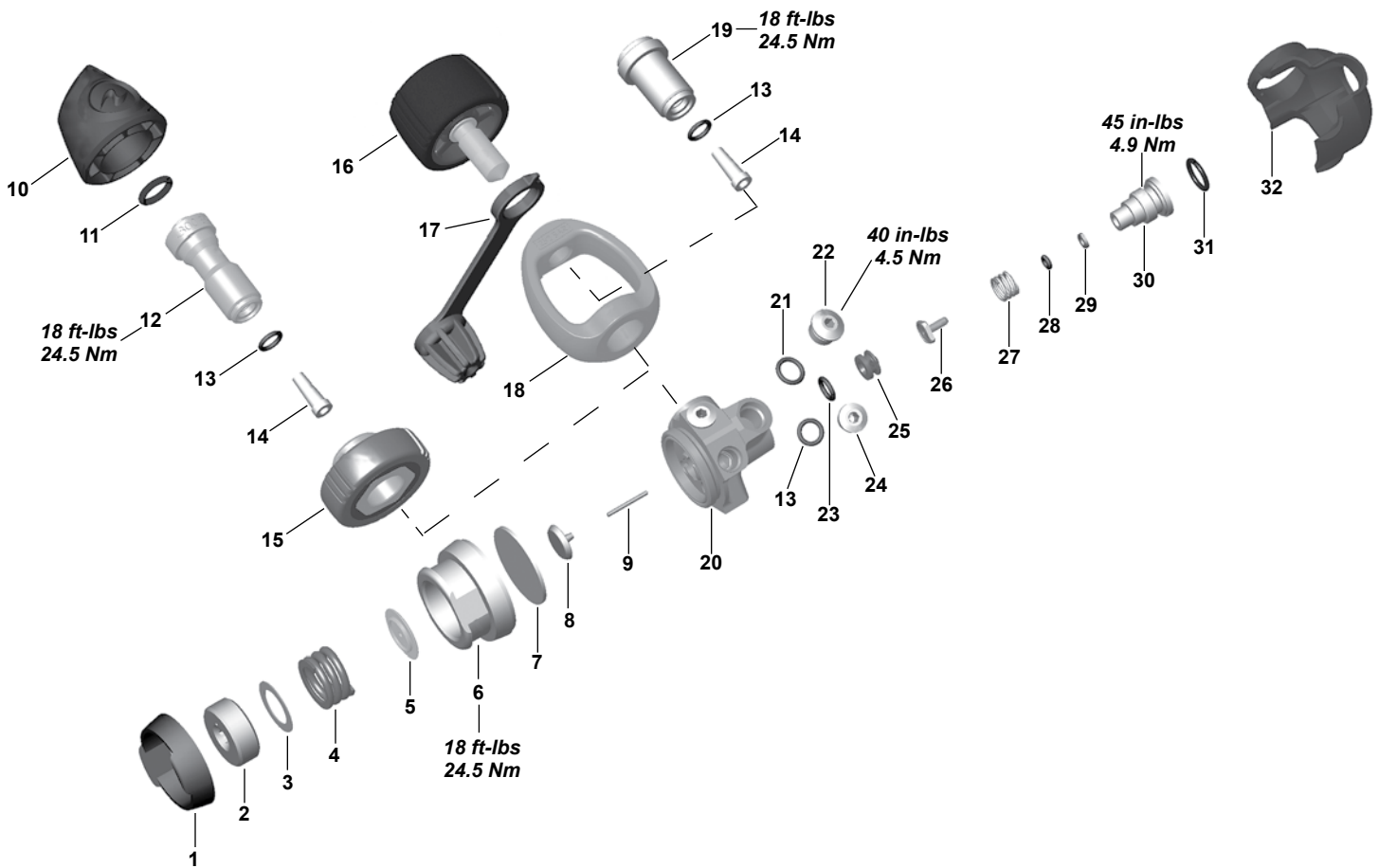
16	127585	Crown
17	<b>105940</b>	<b>HP Seat</b>
18	122244	Spring
19	<b>820080P</b>	<b>O-ring (25 pk)</b>
20	<b>119129</b>	<b>Back-up Ring</b>
21	<b>824407P</b>	<b>O-ring (20 pk)</b>
22	129120	Plug
23	128111	Protector, Body
	128124	Protector, Body,(2-HP Ports)
24	<b>820072P</b>	<b>O-ring (20 pk)</b>
25	103137	Plug, HP Port, 7/16"
26	<b>820011P</b>	<b>O-ring (25 pk)</b>
27	103133	Plug, MP Port, 3/8"
28	127574	Yoke Screw
29	124555	Dust Cap
30	124611	Yoke
31	129207	Yoke Valve
32	129205	Yoke Crown
33	<b>820009P</b>	<b>O-ring (10 pk)</b>
34	129204	Spring
35	129212	Yoke Retainer
36	<b>129209</b>	<b>Filter</b>
37	129216	DIN ACD Cap
38	129202	DIN Shutter Valve
39	<b>820094P</b>	<b>O-ring (20 pk)</b>
40	129203	DIN Shutter crown
41	<b>820322P</b>	<b>O-ring ((10 pk)</b>
42	129213	DIN Screw
43	<b>820010P</b>	<b>O-ring (25 pk)</b>
44	128119	DIN Handwheel
45	129214	DIN Filter Holder

Key #	Part #	Description
-------	--------	-------------

-----	128132	First Stage, Titan LX, Yoke
-----	128265	First Stage, Titan LX Supreme, Yoke(2-HP)
-----	128142	DIN Adapter Kit, ACD
-----	128143	Supreme/Dry Kit, Titan LX
-----	<b>900018</b>	<b>Overhaul Parts Kit, (Yoke and DIN)</b>
1	128123	Diaphragm Retainer
<b>2</b>	<b>127579</b>	<b>Diaphragm, Secondary</b>
3	125713	Decal, Aqua Lung Logo
4	127581	Piston
5	128122	Retainer Cover, Supreme
-----	128121	Retainer Cover
6	127566	Adjustment Screw, Supreme
-----	128117	Adjustment Screw
<b>7</b>	<b>127568</b>	<b>Washer</b>
8	127567	Spring
9	127565	Spring Pad
10	128115	Spring Retainer, Supreme
-----	128113	Spring Retainer
<b>11</b>	<b>119159</b>	<b>Diaphragm</b>
12	127563	Pin Support
13	127564	Pin
14	127844	Body
-----	127873	Body, w/2-HP Ports
<b>15</b>	<b>820038P</b>	<b>O-ring (20 pk)</b>

Part numbers in **BOLD ITALICS** indicate standard overhaul replacement part.

# Mikron

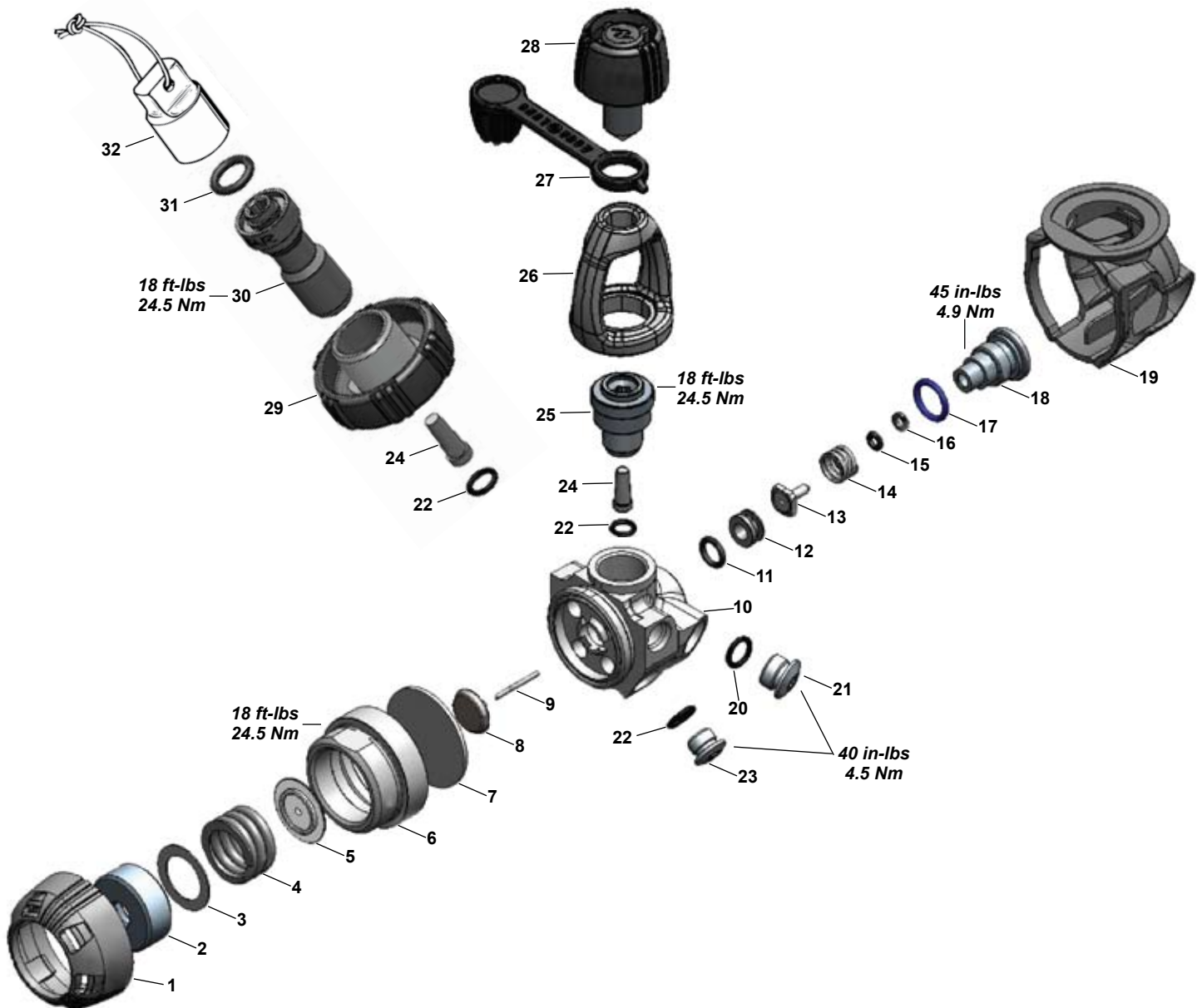


Key #	Part #	Description
----	127875	First Stage, Mikron, Yoke, Green
----	127840	First Stage, Mikron, Yoke, Blk/Red
----	127855	First Stage, Mikron, Yoke, Van/Pink
----	127865	DIN Adapter Kit, (Micron)
----	<b>900014</b>	<b>Overhaul Parts Kit, (Yoke and DIN)</b>
1----	127872	Spacer, Black/Green
----	127878	Spacer, Black/Pink
----	127837	Spacer, Black/Red
----	127839	Spacer, Vanilla
2----	127566	Adjustment Screw
<b>3----</b>	<b>127568</b>	<b>Washer</b>
4----	127567	Spring
5----	127565	Spring Pad
6----	127583	Spring Retainer
----	127874	Spring Retainer, (2-HP Ports)
<b>7----</b>	<b>119159</b>	<b>Diaphragm</b>
8----	127563	Pin Support
9----	127564	Pin
10----	129216	Din ACD Cap
<b>11----</b>	<b>820094P</b>	<b>O-ring (20 pk)</b>
12----	127801	DIN Fitting
<b>13----</b>	<b>820011P</b>	<b>O-ring (25 pk)</b>
<b>14----</b>	<b>129151</b>	<b>Filter</b>

Key #	Part #	Description
15----	127803	DIN Handwheel
16----	127805	Yoke Screw
17----	124555	Dust Cap
18----	127807	Yoke
19----	127808	Inlet Fitting
20----	127844	Body
----	127873	Body, w/2-HP Ports
<b>21----</b>	<b>820072P</b>	<b>O-ring (20 pk)</b>
22----	103137	Plug, HP Port, 7/16"
<b>23----</b>	<b>820038P</b>	<b>O-ring (20 pk)</b>
24----	103133	Plug, MP Port, 3/8"
25----	127585	Crown
<b>26----</b>	<b>105940</b>	<b>HP Seat</b>
27----	122244	Spring
<b>28----</b>	<b>820080P</b>	<b>O-ring (25 pk)</b>
<b>29----</b>	<b>119129</b>	<b>Back-up Ring</b>
30----	129120	Plug
<b>31----</b>	<b>824407P</b>	<b>O-ring (20 pk)</b>
32----	127804	Sheath, Black
----	127831	Sheath, Vanilla
----	127876	Sheath, Black, (2-HP Ports)

Part numbers in **BOLD ITALICS** indicate standard overhaul replacement part.

## Titan • Titan O2

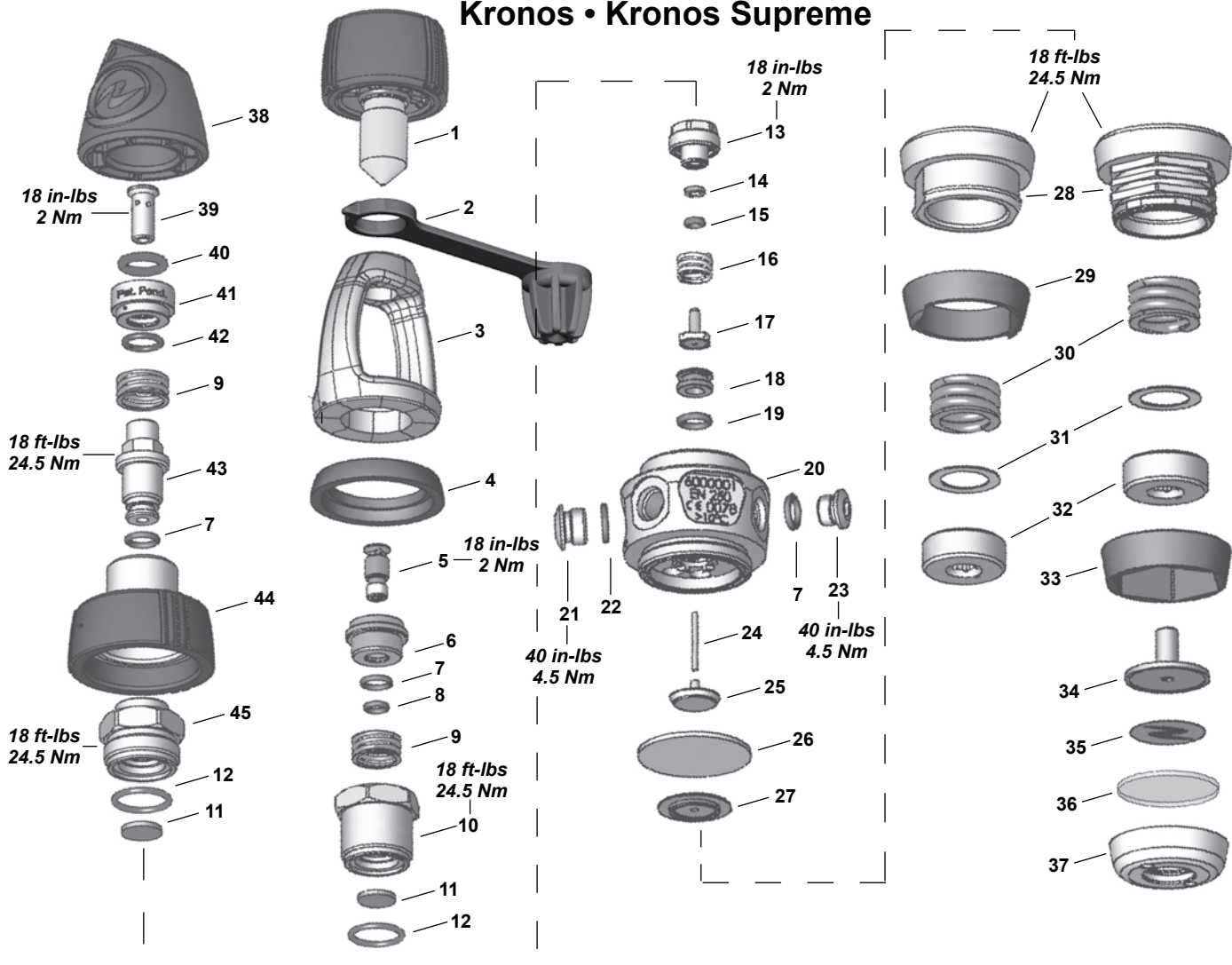


Key #	Part #	Description
----	128520	First Stage, Titan, Yoke
----	128545	DIN Adapter Kit, (Titan)
----	128142	DIN ACD Conversion Kit
----	128143	Supreme/Dry Kit
----	<b>900014</b>	<b>Overhaul Parts Kit, (Yoke and DIN)</b>
1----	128634	Retainer Cover
2----	128117	Adjustment Screw
<b>3----</b>	<b>127568</b>	<b>Washer</b>
4----	127567	Spring
5----	127565	Spring Pad
6----	128113	Spring Retainer
<b>7----</b>	<b>119159</b>	<b>Diaphragm</b>
8----	127563	Pin Support
9----	127564	Pin
10----	127844	Body
----	127873	Body, w/2-HP Ports
<b>11----</b>	<b>820038P</b>	<b>O-ring (20 pk)</b>
12----	127585	Crown
<b>13----</b>	<b>105940</b>	<b>HP Seat</b>

Key #	Part #	Description
14----	122244	Spring
<b>15----</b>	<b>820080P</b>	<b>O-ring (25 pk)</b>
<b>16----</b>	<b>119129</b>	<b>Back-up Ring</b>
<b>17----</b>	<b>824407P</b>	<b>O-ring (20 pk)</b>
18----	129120	Plug
19----	128111	Protector, Body
----	128124	Protector, Body,(2-HP Ports)
<b>20----</b>	<b>820072P</b>	<b>O-ring (20 pk)</b>
21----	103137	Plug, HP Port, 7/16"
<b>22----</b>	<b>820011P</b>	<b>O-ring (25 pk)</b>
23----	103133	Plug, MP Port, 3/8"
<b>24----</b>	<b>129151</b>	<b>Filter</b>
25----	128633	Inlet Fitting
26----	124611	Yoke
27----	124555	Dust Cap
28----	128631	Yoke Screw
29----	128632	DIN Handwheel
30----	127801	DIN Fitting
<b>31----</b>	<b>820094P</b>	<b>O-ring (20 pk)</b>
32----	107443	DIN Cap

Part numbers in **BOLD ITALICS** indicate standard overhaul replacement part.

# Kronos • Kronos Supreme

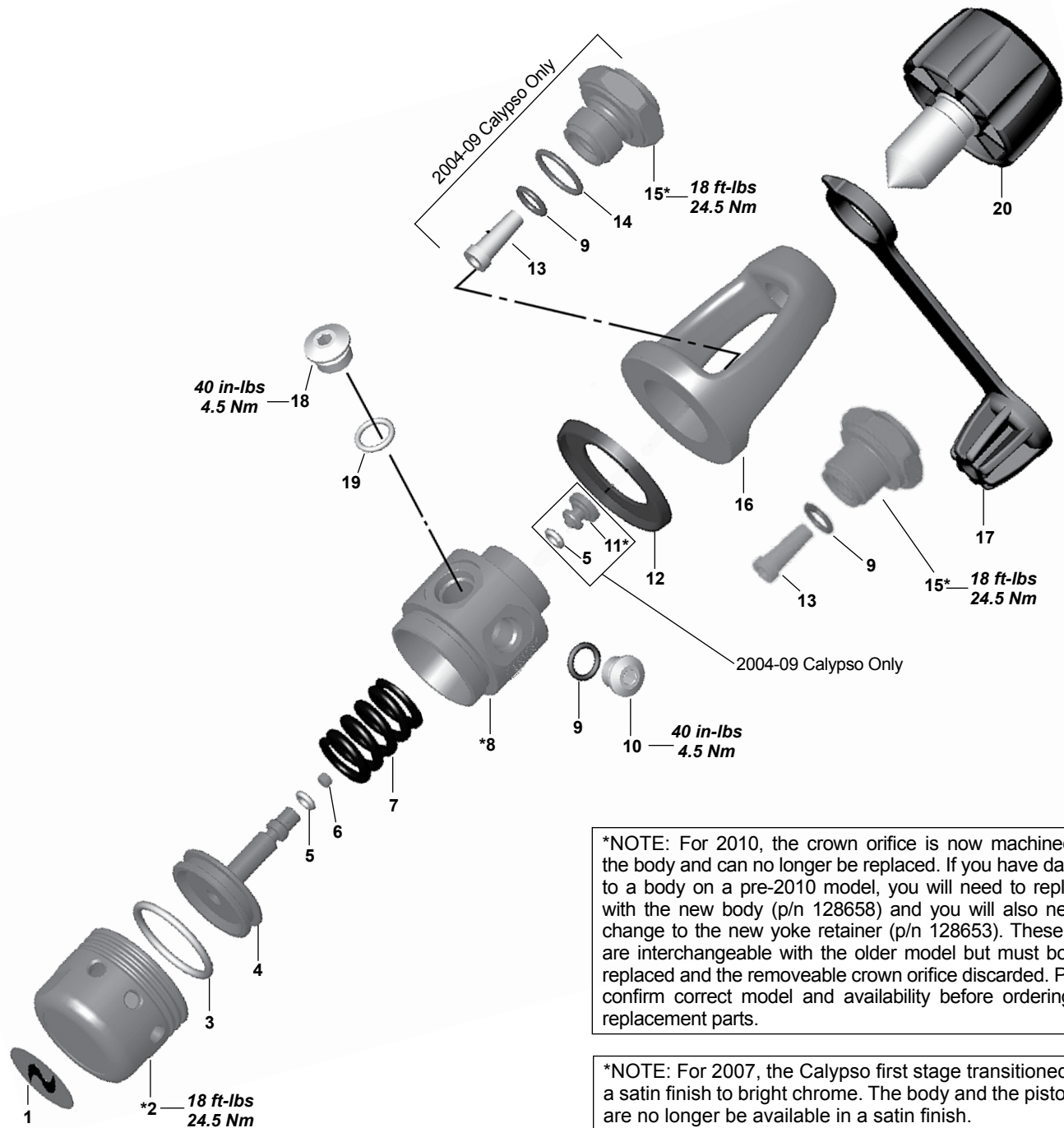


Key #	Part #	Description
----	127505	First Stage, Kronos, Yoke
----	127525	First Stage, Kronos Supreme, Yoke
----	127685	DIN Adapter Kit, Kronos
----	<b>900018</b>	<b>Overhaul Parts Kit (Yoke and DIN)</b>
1----	127574	Yoke Screw
2----	124555	Dust Cap
3----	106843	Yoke
4----	127575	Yoke Ring
5----	129207	Yoke Valve
6----	129205	Yoke Crown
<b>7----</b>	<b>820011P</b>	<b>O-ring (25 pk)</b>
<b>8----</b>	<b>820009P</b>	<b>O-ring (10 pk)</b>
9----	129204	Spring
10----	127576	Yoke Retainer
<b>11----</b>	<b>105106</b>	<b>Filter</b>
<b>12----</b>	<b>820016P</b>	<b>O-ring (10 pk)</b>
13----	127562	Balance Chamber
<b>14----</b>	<b>119129</b>	<b>Back-up Ring</b>
<b>15----</b>	<b>820080P</b>	<b>O-ring (25 PK)</b>
16----	122244	Spring
<b>17----</b>	<b>105940</b>	<b>HP Seat</b>
18----	127585	Crown
<b>19----</b>	<b>820038P</b>	<b>O-ring (20 pk)</b>
20----	127588	Body, Kronos
----	127589	Body, Kronos Supreme
21----	103137	Plug, HP Port, 7/16 inch

Key #	Part #	Description
<b>22----</b>	<b>820072P</b>	<b>O-ring (20 pk)</b>
23----	103133	Plug, MP Port, 3/8 inch
24----	127564	Pin
25----	127563	Pin Support
<b>26----</b>	<b>119159</b>	<b>Diaphragm</b>
27----	127565	Spring Pad
28----	127583	Spring Retainer
----	127577	Spring Retainer, Dry
29----	127586	Washer, Std Retainer
30----	127567	Spring
<b>31----</b>	<b>127568</b>	<b>Washer</b>
32----	127566	Adjustment Screw
33----	127587	Washer, Dry Retainer
34----	127581	Piston
35----	125713	Decal, Aqua Lung Logo
<b>36----</b>	<b>127579</b>	<b>Diaphragm, Secondary</b>
37----	127582	Diaphragm Retainer
38----	129216	DIN ACD Cap
39----	129202	DIN Shutter Valve
<b>40----</b>	<b>820094P</b>	<b>O-ring (20 pk)</b>
41----	129203	DIN Shutter Crown
<b>42----</b>	<b>820322P</b>	<b>O-ring (10 pk)</b>
43----	127573	DIN Screw
44----	127571	DIN Handwheel
45----	127572	Filter Holder

Part numbers in **BOLD ITALICS** indicate standard overhaul replacement part.

## Calypso (2004 to present)



\*NOTE: For 2010, the crown orifice is now machined into the body and can no longer be replaced. If you have damage to a body on a pre-2010 model, you will need to replace it with the new body (p/n 128658) and you will also need to change to the new yoke retainer (p/n 128653). These parts are interchangeable with the older model but must both be replaced and the removeable crown orifice discarded. Please confirm correct model and availability before ordering any replacement parts.

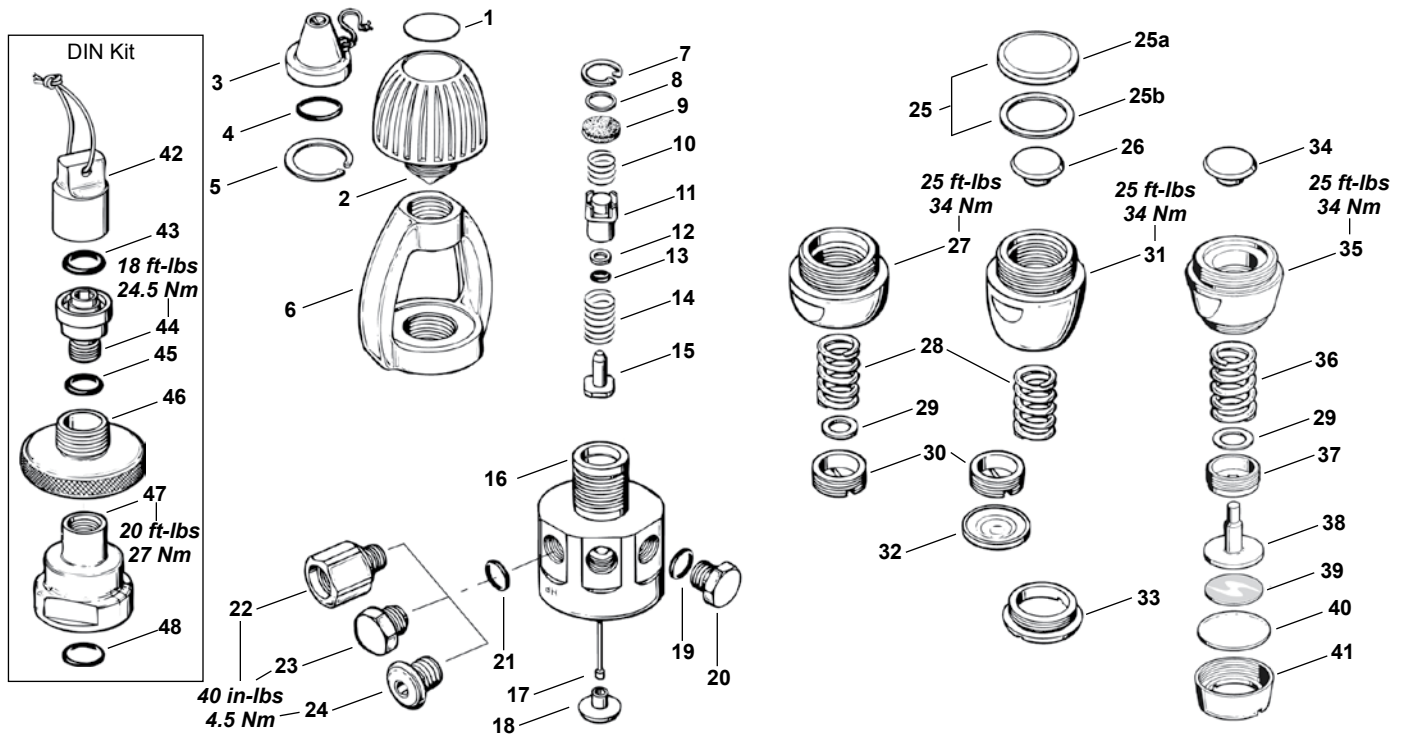
\*NOTE: For 2007, the Calypso first stage transitioned from a satin finish to bright chrome. The body and the piston cap are no longer be available in a satin finish.

Key #	Part #	Description
-----	128705	First Stage, Calypso, Yoke, 2010
-----	125730	First Stage, Calypso, Yoke
-----	<b>900015</b>	<b>Overhaul Parts Kit</b>
1----	128657	Decal, Aqua Lung logo, Orange
-----	125713	Decal, Aqua Lung logo
2----	125712	Piston cap, chrome
3----	<b>820062P</b>	<b>O-ring (10 pk)</b>
4----	125717	Piston
5----	<b>820007P</b>	<b>O-ring (20 pk)</b>
6----	<b>106726</b>	<b>HP seat</b>
7----	106771	Spring
8----	128658	Body, 2010 Calypso, chrome
-----	NLA	Body, pre-2010

Key #	Part #	Description
9----	<b>820011P</b>	<b>O-ring (25 pk)</b>
10----	103133	Plug, MP Port, 3/8 inch
11----	106767	Crown orifice (only used on pre-2010 model)
12----	125710	Yoke washer
13----	<b>129151</b>	<b>Filter</b>
14----	<b>820015P</b>	<b>O-ring (10 pk)</b>
15----	128653	Inlet fitting, 2010 Calypso
-----	NLA	Inlet fitting, pre-2010
16----	106843	Yoke, satin
-----	124611	Yoke, bright Chrome
17----	124555	Dust cap
18----	103137	Plug, HP Port, 7/16 inch
19----	<b>957004P</b>	<b>O-ring (25 pk)</b>
20----	107507	Yoke screw
-----	107508	Yoke screw, green, Nitrox, O <sub>2</sub>

Part numbers in **BOLD ITALICS** are included in the service kit.

## Conshelf XIV & XIV Supreme

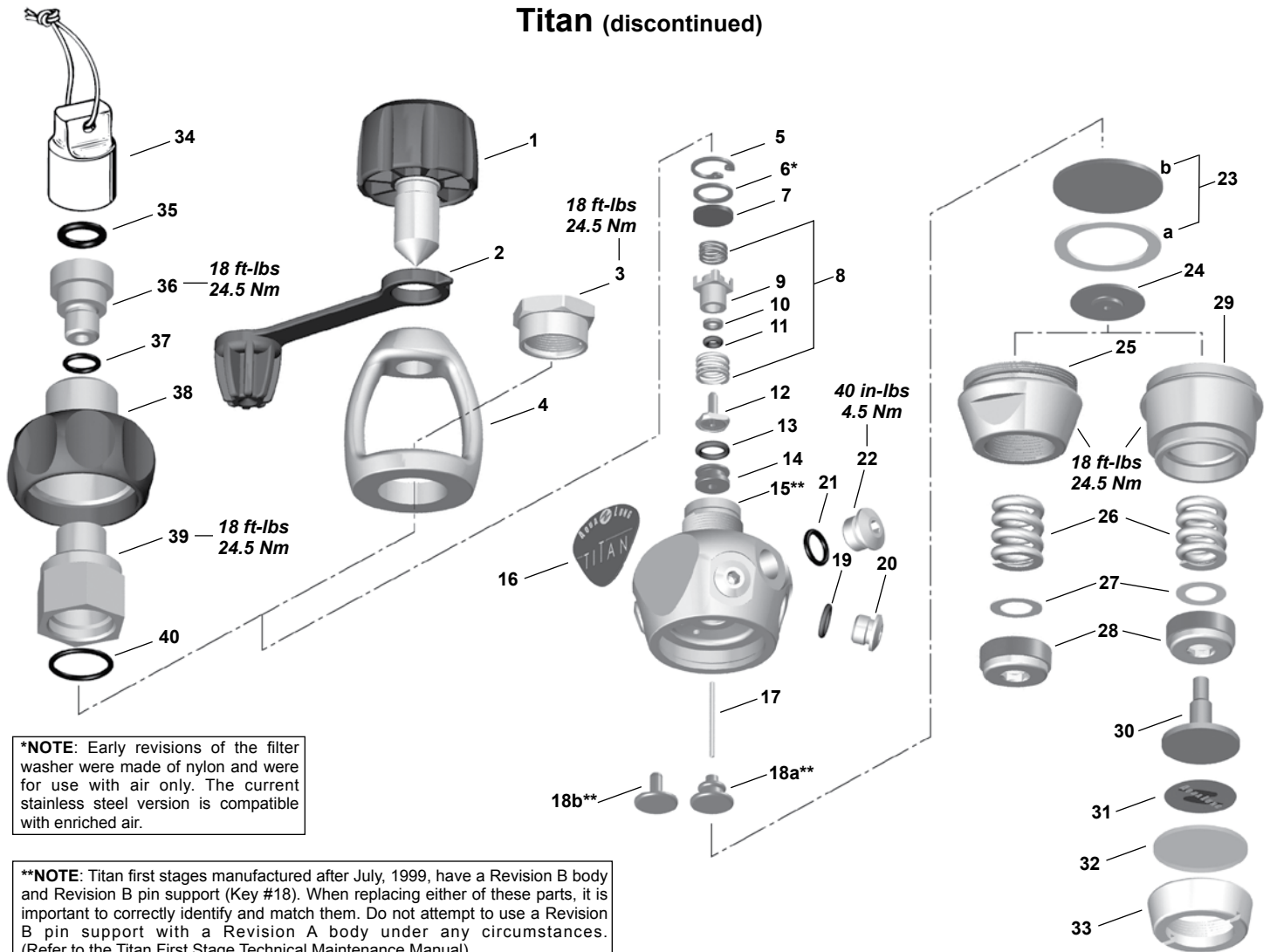


Key #	Part #	Description
----	107700	First Stage, Conshelf XIV
----	108810	First Stage, Conshelf XIV Supreme
----	<b>900001</b>	<b>Overhaul Parts Kit</b>
1----	NLA	Decal
2----	107506	Yoke Screw
3----	101012	Dust Cap
<b>4----</b>	<b>820120P</b>	<b>O-ring (10 pk)</b>
5----	861068	Retaining Ring
6----	700418	Yoke
<b>7----</b>	<b>863051</b>	<b>Retaining Ring</b>
8----	124628	Washer, Stainless
<b>9----</b>	<b>105106</b>	<b>Filter</b>
10----	104613	Spring
11----	105324	Balance Chamber
<b>12----</b>	<b>119129</b>	<b>Back-up Ring, Black, Non-Split</b>
----	<b>828005</b>	<b>Back-up Ring, White, Split, Military Only</b>
<b>13----</b>	<b>820080P</b>	<b>O-ring (25 pk)</b>
14----	101504	Spring
<b>15----</b>	<b>105940</b>	<b>HP Seat</b>
----	<b>105321</b>	<b>HP Seat, Military Only</b>
16----	105333	Body, Conshelf XIV, 5-port
17----	105323	Pin
18----	101727	Pin Support
<b>19----</b>	<b>820011P</b>	<b>O-ring (3/8" Port) (25 pk)</b>
20----	910912	Plug, MP Port, 3/8 inch
----	104304	Plug, MP Port, 3/8 inch
<b>21----</b>	<b>957004P</b>	<b>O-ring (7/16" HP Port) (25 pk)</b>
22----	101785	Adapter, HP, 7/16" Female to 3/8" Male
23----	910912	Plug, HP Port, 3/8 inch, Con XIV, pre-1998
24----	102003	Plug, HP Port, 7/16 inch
<b>25----</b>	<b>103425</b>	<b>Diaphragm, Grey, w/Thrust Washer</b>
<b>25a----</b>	<b>103429</b>	<b>Diaphragm, Black, Military</b>
<b>25b----</b>	<b>821026</b>	<b>Thrust Washer, Military</b>
26----	101728	Spring Pad
27----	105326	Spring Retainer

Key #	Part #	Description
28----	105327	Spring
29----	845097	Washer, Main Spring (non-oil filled only)
30----	101549	Adjustment Screw
<b>Used on Supreme Models</b>		
28----	105944	Spring (Supreme only)
31----	108851	Spring Retainer, Supreme
<b>32----</b>	<b>108853</b>	<b>Secondary Diaphragm, Supreme</b>
33----	108854	Diaphragm Retainer, Supreme
<b>N/S----</b>	<b>108855</b>	<b>Silicone Fluid, 2 oz., Military Only</b>
<b>N/S----</b>	<b>108865</b>	<b>Silicone Fluid, 2 oz.</b>
<b>Used with "Dry" Environmental Kit</b>		
----	100525	Dry Environmental Kit, Conshelf, Complete
34----	124560	Spring Pad
35----	106317	Spring Retainer
36----	106356	Spring
37----	106026	Adjustment Screw
38----	106319	Piston
39----	106338	Decal
<b>40----</b>	<b>106337</b>	<b>External Diaphragm</b>
41----	106318	Diaphragm Retainer
<b>DIN Kit</b>		
----	107455	DIN Adapter Kit, Conshelf
42----	107443	Protector Cap, DIN Connector
<b>43----</b>	<b>820094P</b>	<b>O-ring (20 pk)</b>
44----	106056	Handwheel Retainer, Conshelf
<b>45----</b>	<b>820039P</b>	<b>O-ring (10 pk)</b>
46----	108652	Handwheel, Conshelf, 300 BAR
47----	106057	DIN Adapter, Conshelf
<b>48----</b>	<b>820014P</b>	<b>O-ring (25 pk)</b>

Part numbers in **BOLD ITALICS** indicate standard overhaul replacement part.

## Titan (discontinued)

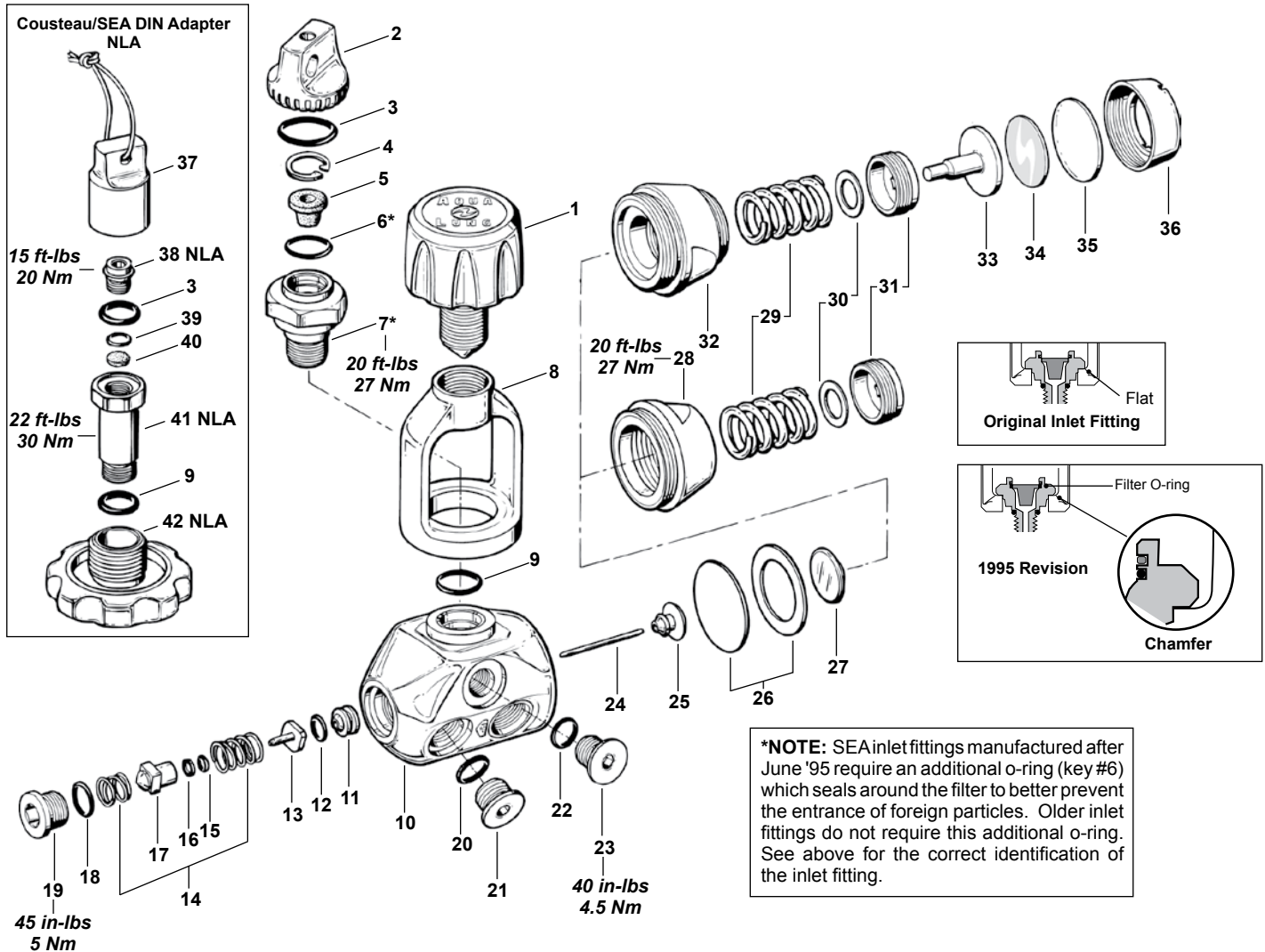


Key #	Part #	Description
-----	<b>900001</b>	<b>Overhaul Parts Kit</b>
1----	107507	Yoke Screw
2----	124555	Dust Cap
3----	103162	Yoke Retainer
4----	106843	Yoke
5----	<b>863051</b>	<b>Circlip</b>
6----	124628	Washer, Stainless (see *NOTE)
7----	<b>105106</b>	<b>Filter</b>
8----	101509	Spring Kit (includes both springs)
9----	105324	Balance Chamber
10----	<b>119129</b>	<b>Backup Ring</b>
11----	<b>820080P</b>	<b>O-ring (25 pk)</b>
12----	<b>105940</b>	<b>HP Seat</b>
13----	<b>820038P</b>	<b>O-ring (20 pk)</b>
14----	106027	Crown
15----	103101	Body, Rev. B (see **NOTE)
16----	103182	Decal, Titan
17----	102002	Pin
18a----	106022	Pin Support, Rev. A (see **NOTE)
18b----	101569	Pin Support Rev. B (see **NOTE)
19----	<b>957004P</b>	<b>O-ring (7/16" HP Port) (25 pk)</b>
20----	103137	Plug, HP Port, 7/16 inch
21----	<b>820011P</b>	<b>O-ring (3/8" Port) (25 pk)</b>
22----	103133	Plug, MP Port, 3/8 inch
23----	<b>103425</b>	<b>Diaphragm Kit (includes thrust washer, 23a and diaphragm, 23b)</b>

Key #	Part #	Description
24----	124560	Spring Pad
25----	103104	Spring Retainer
26----	106356	Spring
27----	845097	Washer
28----	106026	Adjustment Screw
<b>Used with "Dry" Environmental Kit</b>		
-----	100525	Dry Environmental Kit, Complete
29----	106317	Spring Retainer
30----	106319	Piston
31----	106338	Decal
32----	<b>106337</b>	<b>Diaphragm, External</b>
33----	106318	Diaphragm Retainer
<b>Titan DIN Adapter</b>		
-----	103172	DIN Adapter Kit, Titan
34----	107443	Protector Cap, DIN Connector
35----	<b>820094P</b>	<b>O-ring (20 pk)</b>
36----	106056	Handwheel Retainer
37----	<b>820072P</b>	<b>O-ring (20 pk)</b>
38----	103176	Handwheel
39----	103174	DIN Adapter
40----	<b>820017P</b>	<b>O-ring (10 pk)</b>

Part numbers in **BOLD ITALICS** indicate standard overhaul replacement part.

### Cousteau • SEA (discontinued)



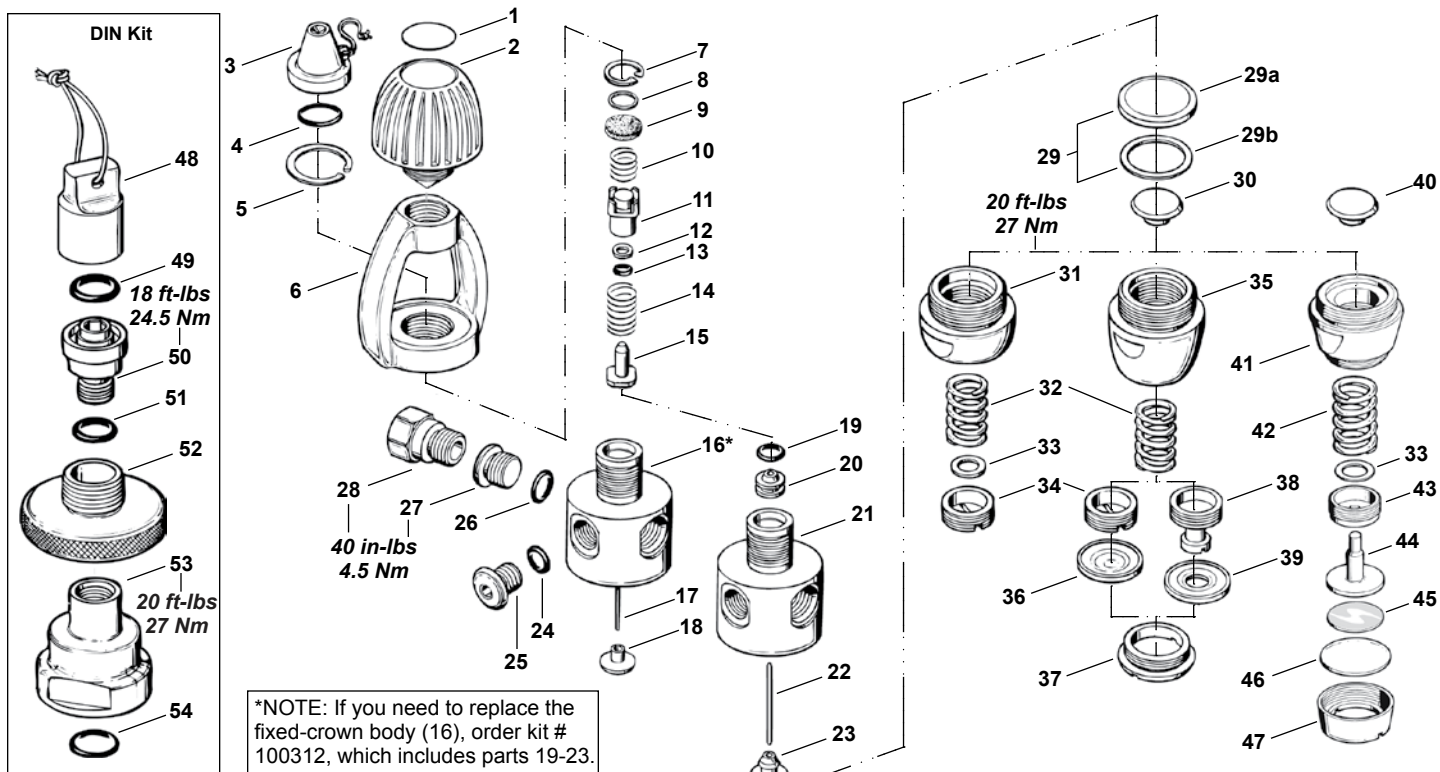
**\*NOTE:** SEA inlet fittings manufactured after June '95 require an additional o-ring (key #6) which seals around the filter to better prevent the entrance of foreign particles. Older inlet fittings do not require this additional o-ring. See above for the correct identification of the inlet fitting.

Key #	Part #	Description
----	100525	Dry Environmental Kit, Complete
-----	<b>900000</b>	<b>Overhaul Parts Kit</b>
1----	107507	Yoke Screw
2----	NLA	Dust Cap
<b>3----</b>	<b>820094P</b>	<b>O-ring (20 pk)</b>
4----	863051	Circlip
<b>5----</b>	<b>106839</b>	<b>Filter</b>
<b>6----</b>	<b>820014P</b>	<b>O-ring (25 pk)</b>
7----	106339	Inlet Fitting
8----	124611	Yoke
<b>9----</b>	<b>820013P</b>	<b>O-ring (10 pk)</b>
10----	106322	Body
11----	106027	Crown
<b>12----</b>	<b>820038P</b>	<b>O-ring (20 pk)</b>
<b>13----</b>	<b>105940</b>	<b>HP Seat</b>
14----	101509	Spring Kit (includes both springs)
<b>15----</b>	<b>820080P</b>	<b>O-ring (25 pk)</b>
<b>16----</b>	<b>119129</b>	<b>Backup Ring</b>
17----	101565	Balance Chamber
<b>18----</b>	<b>824407P</b>	<b>O-ring (20 pk)</b>
19----	106327	End Plug
<b>20----</b>	<b>957004P</b>	<b>O-ring (25 pk)</b>

Key #	Part #	Description
21----	106303	Plug, HP Port, 7/16 inch
<b>22----</b>	<b>820011P</b>	<b>O-ring (25 pk)</b>
23----	106304	Plug, MP Port, 3/8 inch
24----	106323	Pin
25----	106022	Pin Support
<b>26----</b>	<b>103425</b>	<b>Diaphragm w/ Thrust Washer</b>
27----	124560	Spring Pad
28----	106324	Spring Retainer
29----	106356	Spring
30----	845097	Washer
31----	106026	Adjustment Screw
32----	106317	Spring Retainer, Dry
33----	106319	Piston
34----	106338	Decal
35----	106337	External Diaphragm
36----	106318	Diaphragm Retainer
37----	107443	Protector Cap, DIN Connector
38----	NLA	Filter Retainer
<b>39----</b>	<b>820010P</b>	<b>O-ring (pre-1999 models only) (25 pk)</b>
<b>40----</b>	<b>106326</b>	<b>Filter</b>
41----	NLA	Inlet Fitting
42----	NLA	Handwheel

Part numbers in **BOLD ITALICS** indicate standard overhaul replacement part.

## Conshelf SE3 • SE2 • SE2 Supreme (discontinued)



\*NOTE: If you need to replace the fixed-crown body (16), order kit # 100312, which includes parts 19-23.

Key #	Part #	Description
-------	--------	-------------

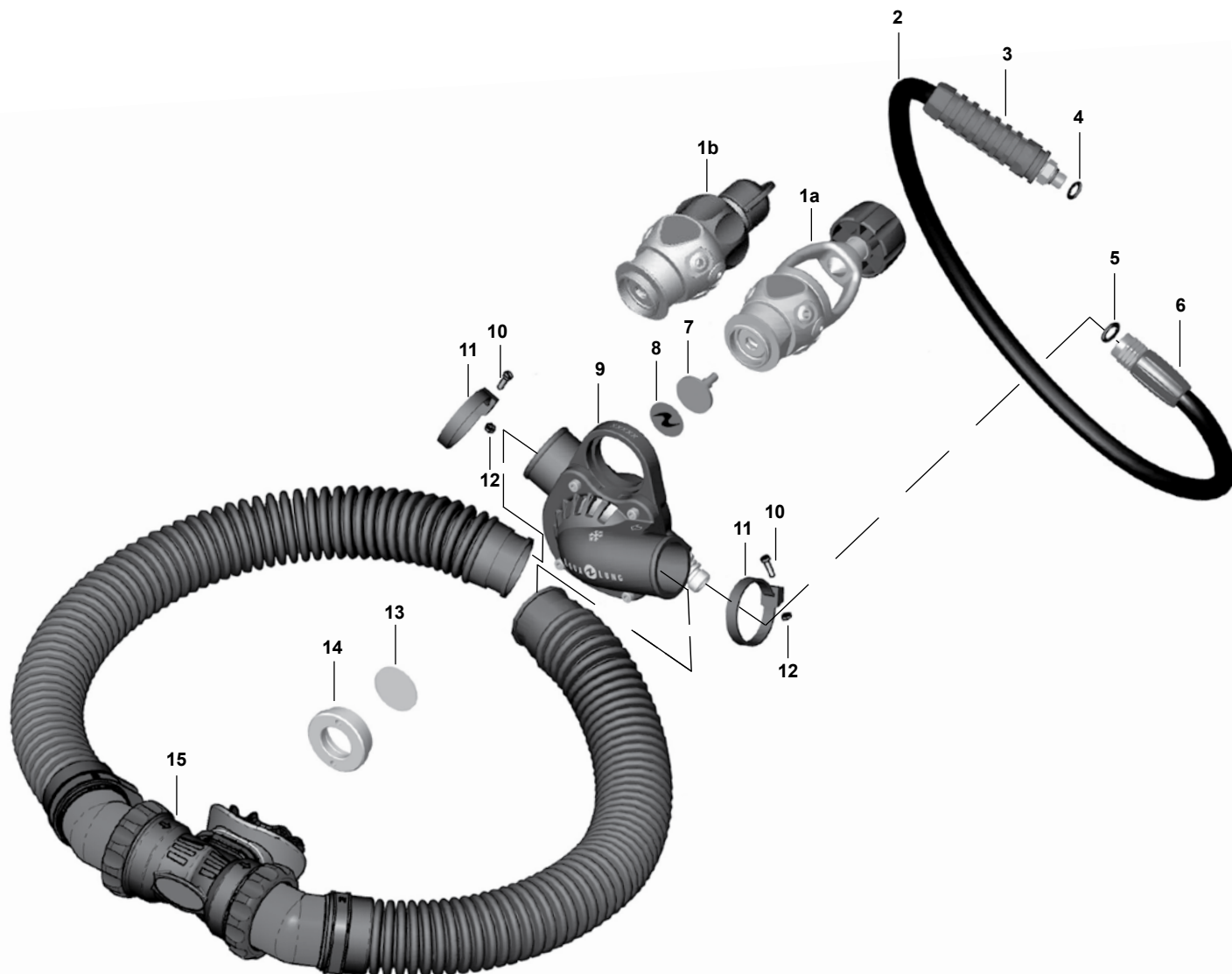
-----	<b>900001</b>	<b>Overhaul Parts Kit</b>
-----	<b>107495</b>	<b>Overhaul Parts Kit, Milit. SE2 (1st &amp; 2nd)</b>
1----	NLA	Decal
2----	107506	Yoke Screw
3----	101012	Dust Cap
<b>4----</b>	<b>820120P</b>	<b>O-ring (10 pk)</b>
5----	861068	Retaining Ring
6----	700418	Yoke
<b>7----</b>	<b>863051</b>	<b>Retaining Ring</b>
8----	124628	Washer, Stainless
<b>9----</b>	<b>105106</b>	<b>Filter</b>
10----	104613	Spring
11----	105324	Balance Chamber
<b>12----</b>	<b>828005</b>	<b>Back-up Ring, Split, White, Military Use</b>
-----	<b>119129</b>	<b>Back-up Ring, Black, Non-Split</b>
<b>13----</b>	<b>820080P</b>	<b>O-ring (25 pk)</b>
14----	101504	Spring
<b>15----</b>	<b>105940</b>	<b>HP Seat</b>
<b>Used on Fixed Crown Models</b>		
16*----	100312	Body Replacement Kit, includes part 19-23 (see *NOTE)
17----	102002	Pin
18----	101569	Pin Support
<b>Used on Removable Crown Models</b>		
<b>19----</b>	<b>820038P</b>	<b>O-ring (20 pk)</b>
20----	106027	Crown
21----	NLA	Body
22----	106323	Pin
23----	106022	Pin Support
<b>24----</b>	<b>957025P</b>	<b>O-ring (1/2" Port) (10 pk)</b>
-----	<b>820011P</b>	<b>O-ring (3/8" Port) (25 pk)</b>
25----	102004	Plug, MP Port, 1/2 inch
-----	104304	Plug, MP Port, 3/8 inch
<b>26----</b>	<b>957004P</b>	<b>O-ring (7/16" HP Port) (25 pk)</b>
27----	102003	Plug, HP Port, 7/16 inch
28----	102085	Adapter, HP, 3/8" Fem. to 7/16" Male
<b>29----</b>	<b>103425</b>	<b>Diaphragm Kit, Grey, w/Thrust Washer</b>
<b>29a----</b>	<b>103429</b>	<b>Diaphragm, Black, Military</b>

Key #	Part #	Description
-------	--------	-------------

<b>29b----</b>	<b>821026</b>	<b>Thrust Washer, Military</b>
30----	101728	Spring Pad
31----	105926	Spring Retainer (fine thread)
-----	105326	Spring Retainer (coarse thread)
32----	105327	Spring (fine & coarse thread non-Supreme)
33----	845097	Washer, Main Spring (non-oil filled only)
34----	106023	Adjustment Screw (fine thread)
-----	101549	Adjustment Screw (coarse thread)
<b>Used on Supreme Models</b>		
32----	105944	Spring (coarse thread Supreme only)
-----	105327	Spring (fine thread & EFA Supreme)
35----	105927	Spring Retainer, Supreme (fine thread)
-----	108851	Spring Retainer, Supreme (coarse thread)
<b>36----</b>	<b>108853</b>	<b>Secondary Diaphragm, Supreme</b>
37----	108854	Diaphragm Retainer, Supreme
<b>N/S----</b>	<b>108865</b>	<b>Silicone Fluid, 2 oz.</b>
<b>N/S----</b>	<b>108855</b>	<b>Silicone Fluid, 2 oz., Military Only</b>
<b>Used Only on Externally Fine Adjustable Supreme</b>		
38----	105936	Adjustment Screw, EFA Supreme
<b>39----</b>	<b>108852</b>	<b>Secondary Diaphragm, EFA Supreme</b>
<b>Used with "Dry" Environmental Kit</b>		
-----	100525	Dry Environmental Kit, Conshelf, Complete
40----	124560	Spring Pad
41----	106317	Spring Retainer
42----	106356	Spring
43----	106026	Adjustment Screw
44----	106319	Piston
45----	106338	Decal
<b>46----</b>	<b>106337</b>	<b>External Diaphragm</b>
47----	106318	Diaphragm Retainer
<b>DIN Kit</b>		
-----	107455	DIN Adapter Kit, Conshelf
48----	107443	Protector Cap, DIN Connector
<b>49----</b>	<b>820094P</b>	<b>O-ring (20 pk)</b>
50----	106056	Handwheel Retainer, Conshelf
<b>51----</b>	<b>820039P</b>	<b>O-ring (10 pk)</b>
52----	108652	Handwheel, Conshelf, 300 BAR
53----	106057	DIN Adapter, Conshelf
<b>54----</b>	<b>820014P</b>	<b>O-ring (25 pk)</b>

Part numbers in **BOLD ITALICS** indicate standard overhaul replacement part.

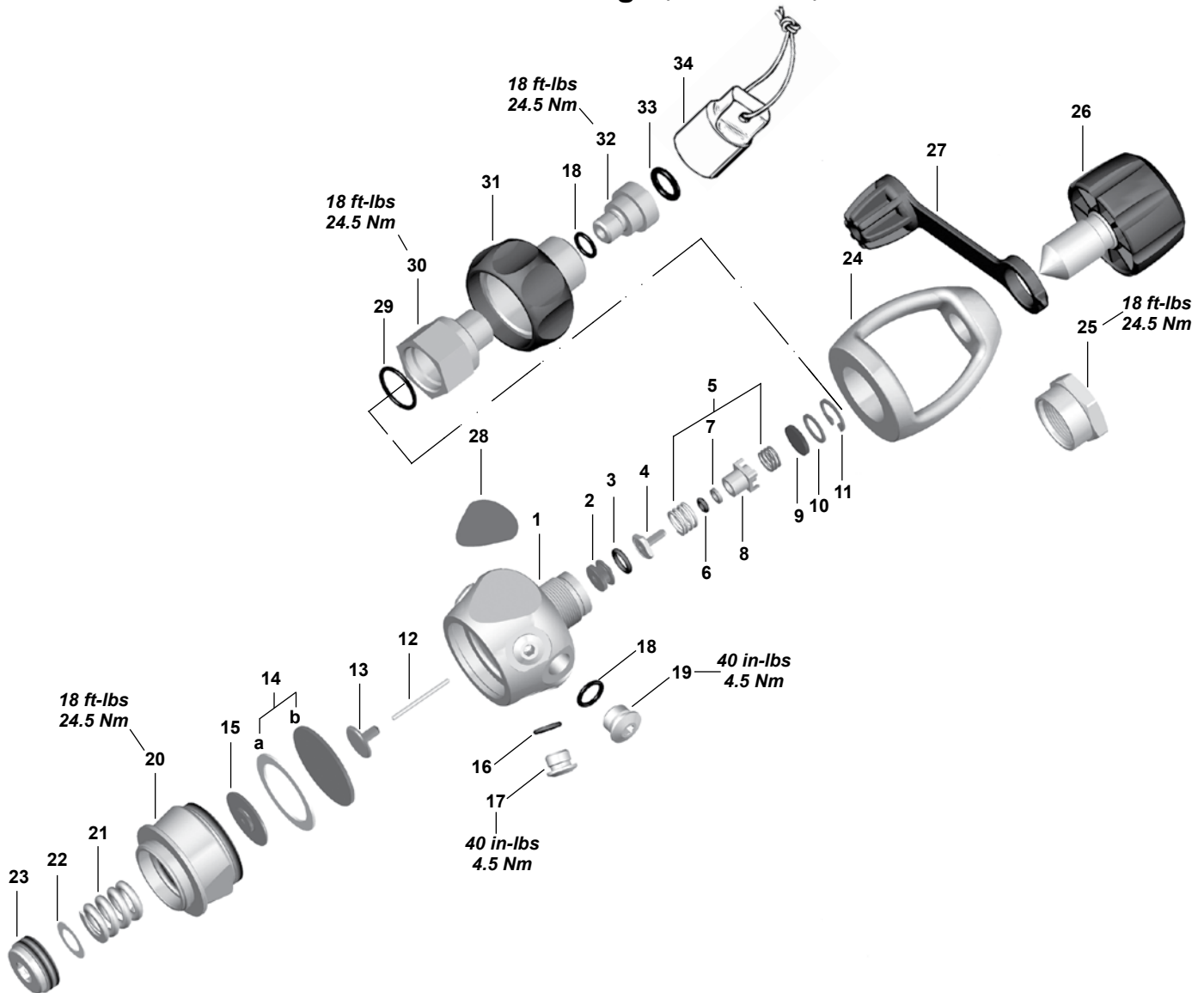
## Mistral Regulator (discontinued)



Key #	Part #	Description
-----	<b>900016</b>	<b>Overhaul Parts Kit, Entire Mistral</b>
1a ----	125902	First Stage, Mistral, Yoke
1b ----	125903	First Stage, Mistral, DIN
2 ----	125932	Mistral MP hose - 630 mm
-----	125934	Mistral MP Hose - 245 mm
3 ----	NLA	Hose Protector, Black
<b>4 ----</b>	<b>820011P</b>	<b>O-ring (25 pk)</b>
<b>5 ----</b>	<b>820010P</b>	<b>O-ring (25 pk)</b>
6 ----	129160	Hose Sleeve, Black
7 ----	106319	Piston
8 ----	125713	Aqua Lung logo decal
9 ----	125920	Mistral 2nd Stage
10 ----	125975	Screw
11 ----	125958	Clamping band "R"
12 ----	125976	Nut
<b>13 ----</b>	<b>106337</b>	<b>Diaphragm</b>
14 ----	125924	Diaphragm retainer
15 ----	125910	Mistral mouthpiece

Part numbers in **BOLD ITALICS** are included in the service kit.

## Mistral First Stage (discontinued)

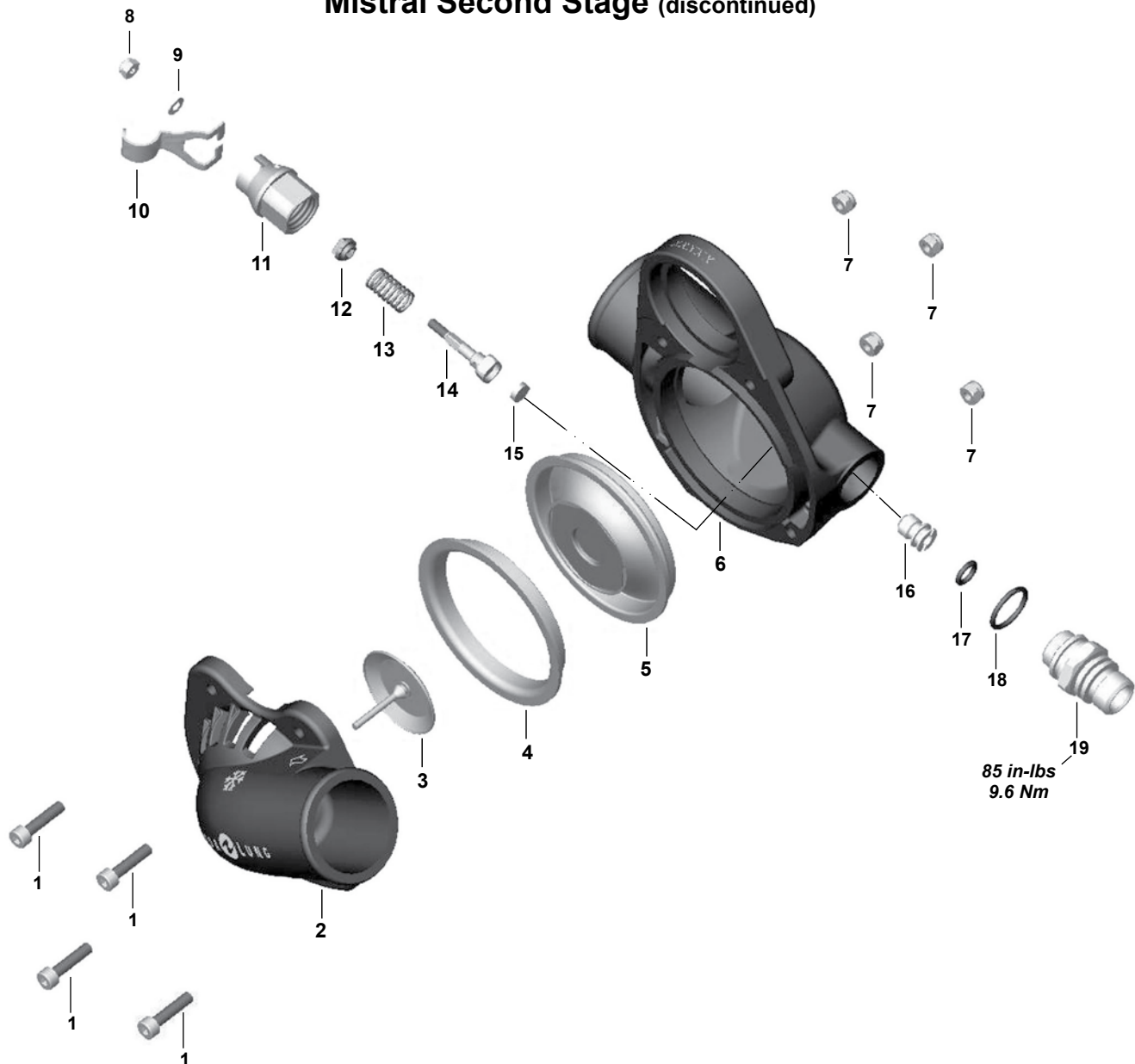


Key #	Part #	Description
-----	125902	Mistral First Stage, Yoke
-----	125903	Mistral First Stage, DIN
-----	<b>900016</b>	<b>Overhaul Parts Kit, Entire Mistral</b>
1-----	103101	Body
2-----	106027	Crown
<b>3-----</b>	<b>820038P</b>	<b>O-ring (20 pk)</b>
<b>4-----</b>	<b>105940</b>	<b>HP Seat</b>
<b>5-----</b>	<b>101509</b>	<b>Spring Kit (includes both springs)</b>
<b>6-----</b>	<b>820080P</b>	<b>O-ring (25 pk)</b>
<b>7-----</b>	<b>119129</b>	<b>Backup Ring</b>
8-----	105324	Spring Block
<b>9-----</b>	<b>105106</b>	<b>Filter</b>
10-----	124628	Filter Washer
<b>11-----</b>	<b>863051</b>	<b>Circlip</b>
12-----	102002	Pin
13-----	101569	Pin Support
<b>14-----</b>	<b>103425</b>	<b>Diaphragm Kit (includes thrust washer, 14a, and diaphragm, 14b)</b>

Key #	Part #	Description
15-----	124560	Spring Pad
<b>16-----</b>	<b>820011P</b>	<b>O-rings (25 pk)</b>
17-----	103133	Plug, MP Port, 3/8 inch
<b>18-----</b>	<b>820072P</b>	<b>O-ring (20 pk)</b>
19-----	103137	Plug, HP Port, 7/16 inch
20-----	125923	Spring Retainer
21-----	106356	Spring
<b>22-----</b>	<b>845097</b>	<b>Washer</b>
23-----	106026	Adjustment Screw
24-----	106843	Yoke
25-----	103162	Yoke Retainer
26-----	107507	Yoke Screw
27-----	124555	Dust Cap
28-----	129151	Mistral Decal
<b>29-----</b>	<b>820017P</b>	<b>O-ring (10 pk)</b>
30-----	103174	DIN Adapter
31-----	103176	Handwheel
32-----	106056	Handwheel Retainer
<b>33-----</b>	<b>820094P</b>	<b>O-ring (20 pk)</b>
34-----	107443	DIN Cap

Part numbers in **BOLD ITALICS** are included in the service kit.

## Mistral Second Stage (discontinued)



## Key # Part #

## Description

-----	125920	Mistral Second Stage
-----	<b>900016</b>	<b>Overhaul Parts Kit, Entire Mistral</b>
1----	125929	Screw, caphead
2----	125935	Exhalation box
3----	129174	Exhaust valve
4----	124509	Sealing ring
5----	125705	Diaphragm
6----	125937	Inhalation box
7----	<b>125928</b>	<b>Locknut</b>
8----	<b>102510</b>	<b>Locknut</b>

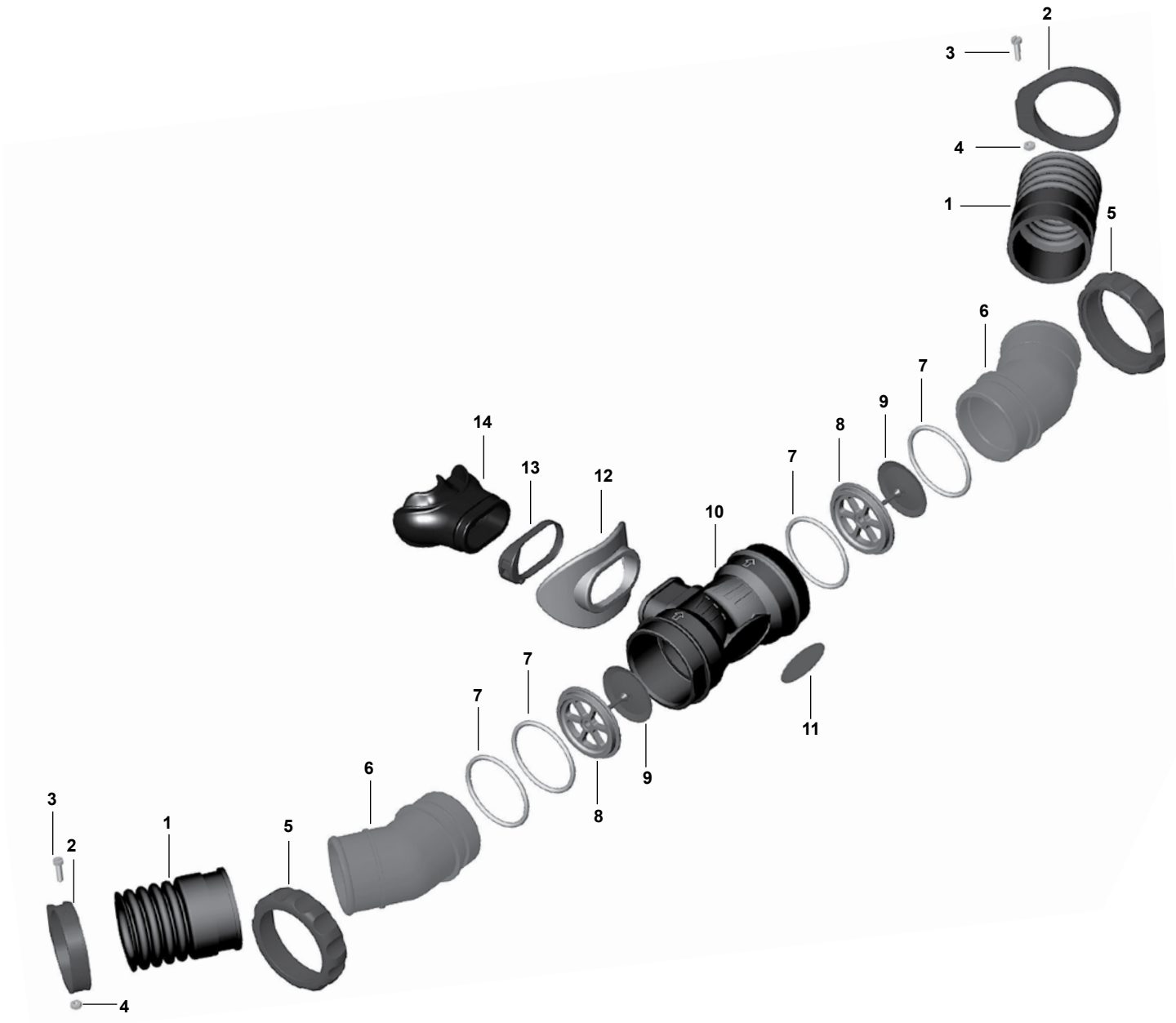
## Key # Part #

## Description

9----	104129	Washer
10----	125708	Lever
11----	125931	Valve insert
<b>12----</b>	<b>104134</b>	<b>Poppet bearing</b>
13----	104127	Spring
14----	104122	Poppet
<b>15----</b>	<b>106738</b>	<b>MP seat</b>
16----	100128	Crown orifice
<b>17----</b>	<b>820010P</b>	<b>O-ring (25 pk)</b>
<b>18----</b>	<b>820015P</b>	<b>O-ring (10 pk)</b>
19----	104106	Inlet fitting

Part numbers in **BOLD ITALICS** are included in the service kit.

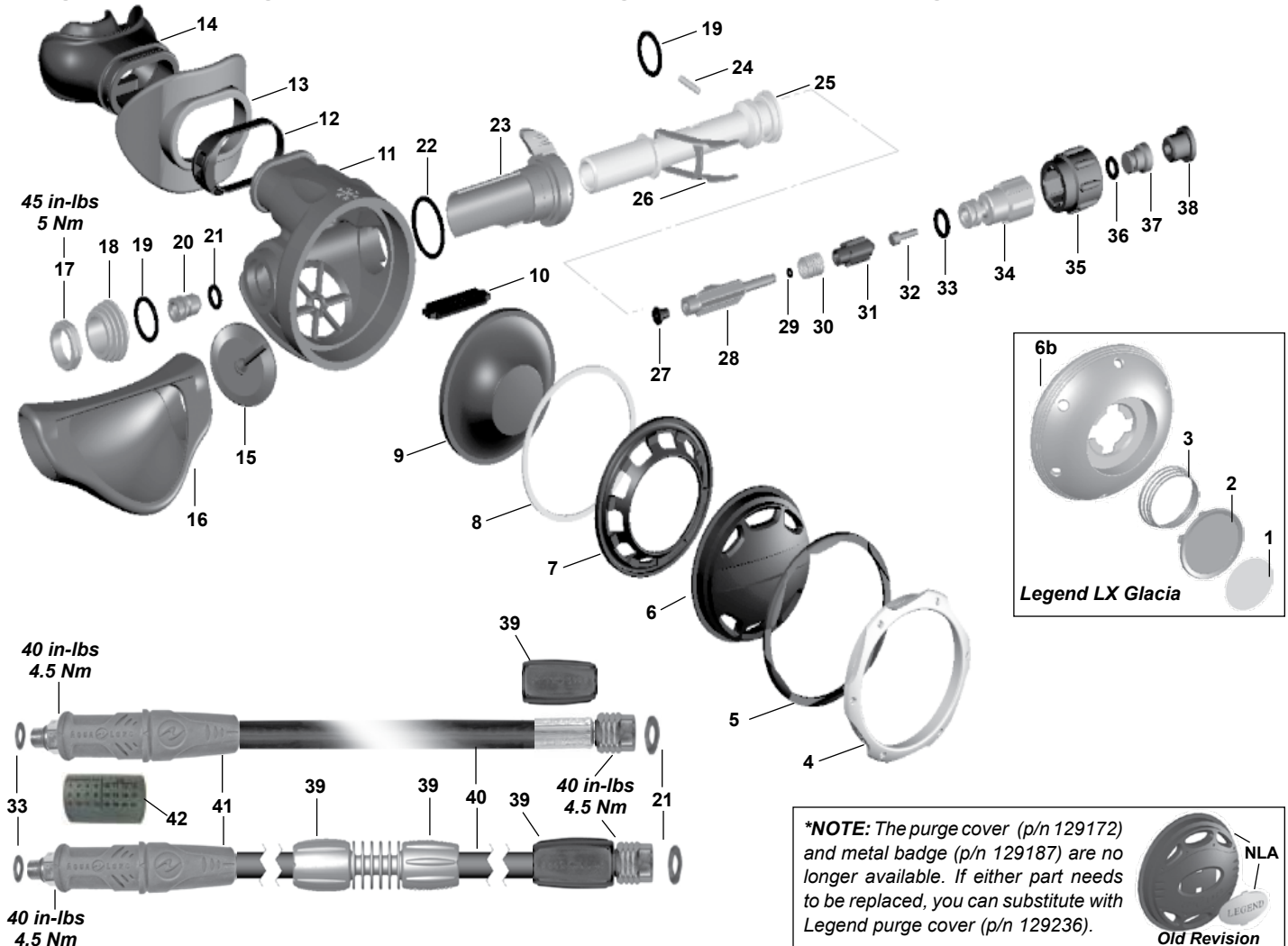
## Mistral Mouthpiece (discontinued)



Key #	Part #	Description
----	125910	Mistral Mouthpiece
----	<b>900016</b>	<b>Overhaul Parts Kit, Entire Mistral</b>
N/S	125977	Upgrade Kit, angled connectors (incl items 2, 3, 4 and 6)
1----	125930	Corrugated hose
2----	125939	Clamping band "M"
3----	125975	Screw
4----	125976	Nut
5----	125914	Connector ring
6----	125979	Connector, angled
<b>7----</b>	<b>125915</b>	<b>O-ring</b>
8----	125912	Mouthpiece valve support
9----	125925	Inhale-Exhale valve
10----	125918	Mouthpiece body
11----	125916	Mouthpiece decal
12----	109512	Lip shield
13----	129154	Mouthpiece clamp
14----	109438	Comfobite mouthpiece

Part numbers in **BOLD ITALICS** are included in the service kit.

**Legend LX • Legend LX Supreme • Legend LX Glacia • Legend LX Glacia Octo**

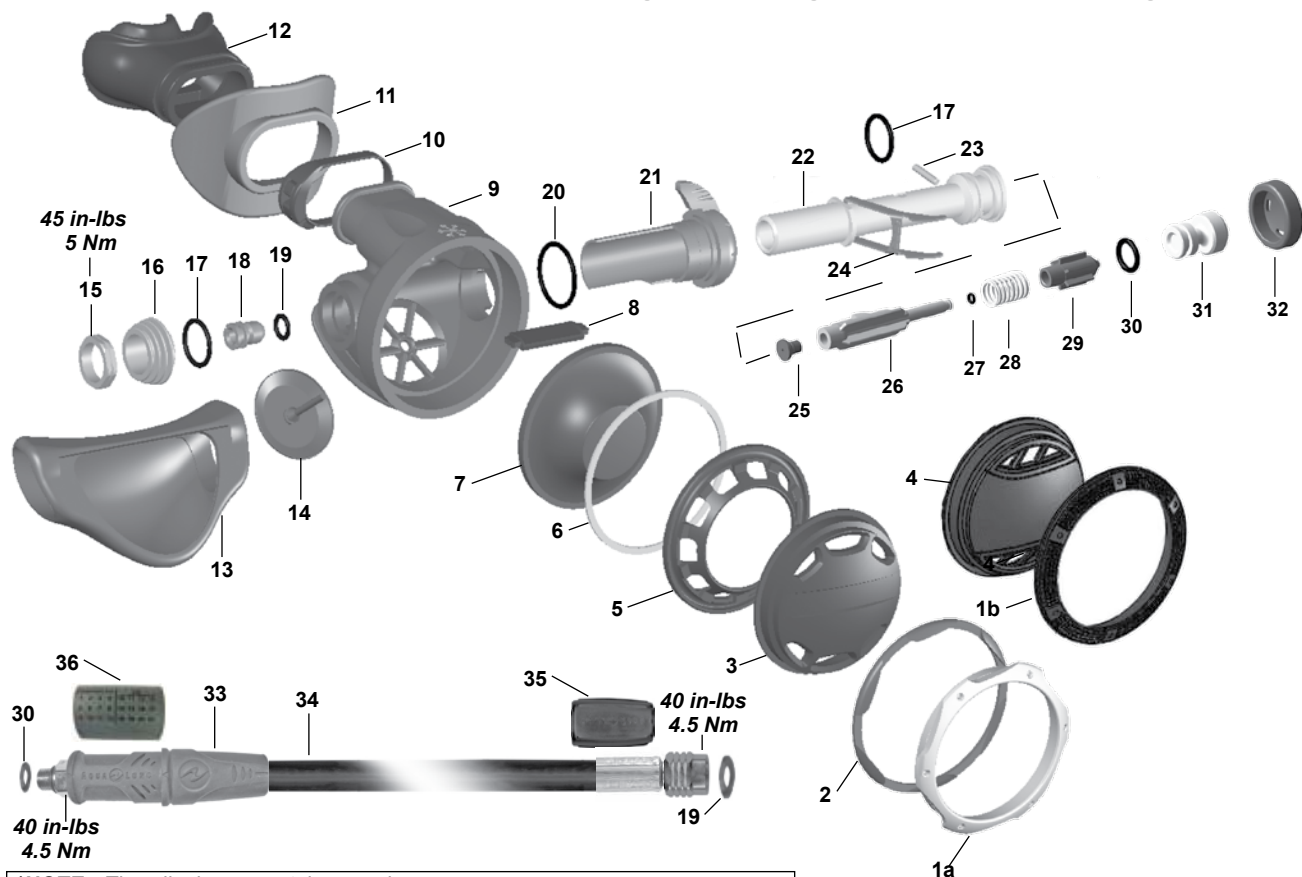


Key #	Part #	Description
----	129080	Legend LX, Second Stage Only
----	129090	Legend LX Supreme, Second Stage Only
----	129289	Legend LX Glacia, Second Stage Only
----	<b>900012</b>	<b>Overhaul Parts Kit</b>
1 ----	129282	Decal, Purge Button, Glacia LX
2 ----	AP5805	Purge Button, Glacia
3 ----	AP2020	Purge Spring, Glacia
4 ----	129171	Retaining Ring, Silver
----	129179	Retaining Ring, Gold
5 ----	129173	Mating Ring, Rubber
6 ----	129236	Purge Cover, Legend, Black
6b----	129281	Purge Cover, Legend Glacia LX
7 ----	129195	Diaphragm Retainer
8 ----	129133	Thrust Washer
9 ----	129150	Diaphragm
10----	129184	Baffle
11 ----	129155	Box Bottom, LX
----	129185	Box Bottom, LX Supreme
12 ----	129154	Mouthpiece Clamp
13 ----	109512	Lip Shield, Supreme Model
14 ----	109438	Mouthpiece, ComfoBite
----	104138	Mouthpiece, Standard
15 ----	129174	Exhaust Valve
16 ----	104102	Exhaust Tee
17 ----	AP2031	Retaining Nut
18 ----	129148	Heat Exchanger
19 ----	<b>820015P</b>	<b>O-ring (10 pk)</b>


Key #	Part #	Description
20 ----	AP2033	Crown
21 ----	<b>820010P</b>	<b>O-ring (25 pk)</b>
22 ----	<b>AP1438P</b>	<b>O-ring (10 pk)</b>
23 ----	129138	Venturi Lever
24 ----	AP1151	Pin
25 ----	129146	Valve Body
26 ----	129178	Lever
27 ----	<b>AP2034</b>	<b>MP Seat</b>
28 ----	AP2036	Shuttle Valve
29 ----	<b>AP2041P</b>	<b>O-ring (10 pk)</b>
30 ----	AP2021	Spring
31 ----	AP2038	Counterbalance Chamber
32 ----	129129	Adjustment Pin
33 ----	<b>820011P</b>	<b>O-ring (25 pk)</b>
34 ----	129147	Adjustment Knob
35 ----	129130	Grip
36 ----	<b>820009P</b>	<b>O-ring (10 pk)</b>
37 ----	129135	Adjusting Screw
38 ----	129142	Plug
39 ----	129160	Hose Sleeve
40 ----	APF124563	MP Hose, 3/8" x 30", w/Protector
----	129343	MP Hose w/Heat X, 3/8" x 30"
----	129352	MP Hose w/Heat X, Yellow 3/8" x 36"
41 ----	124570	Hose Protector, Black
----	124573	Hose Protector, Yellow
42 ----	128624	Service Date Sleeve

Part numbers in **BOLD ITALICS** indicate standard overhaul replacement part.

# Titan LX • Titan LX Supreme • Legend • Legend Supreme • Legend Octopus




**\*NOTE:** The diaphragm retainer and purge cover for the pre-2009 Titan LX 2nd stage are no longer available. If the diaphragm retainer and/or purge cover become damaged or lost, you will need to replace both parts with the new Titan LX purge cover (p/n 128103) and diaphragm retainer (p/n 129195). **“DO NOT”** use the old diaphragm retainer with the new purge cover. The old/new purge cover retaining ring can be used with either purge cover.



Old Revision

**\*NOTE:** The purge cover (p/n 129172) and metal badge (p/n 129187) are no longer available. If either part needs to be replaced, you can substitute with Legend purge cover (p/n 129236).

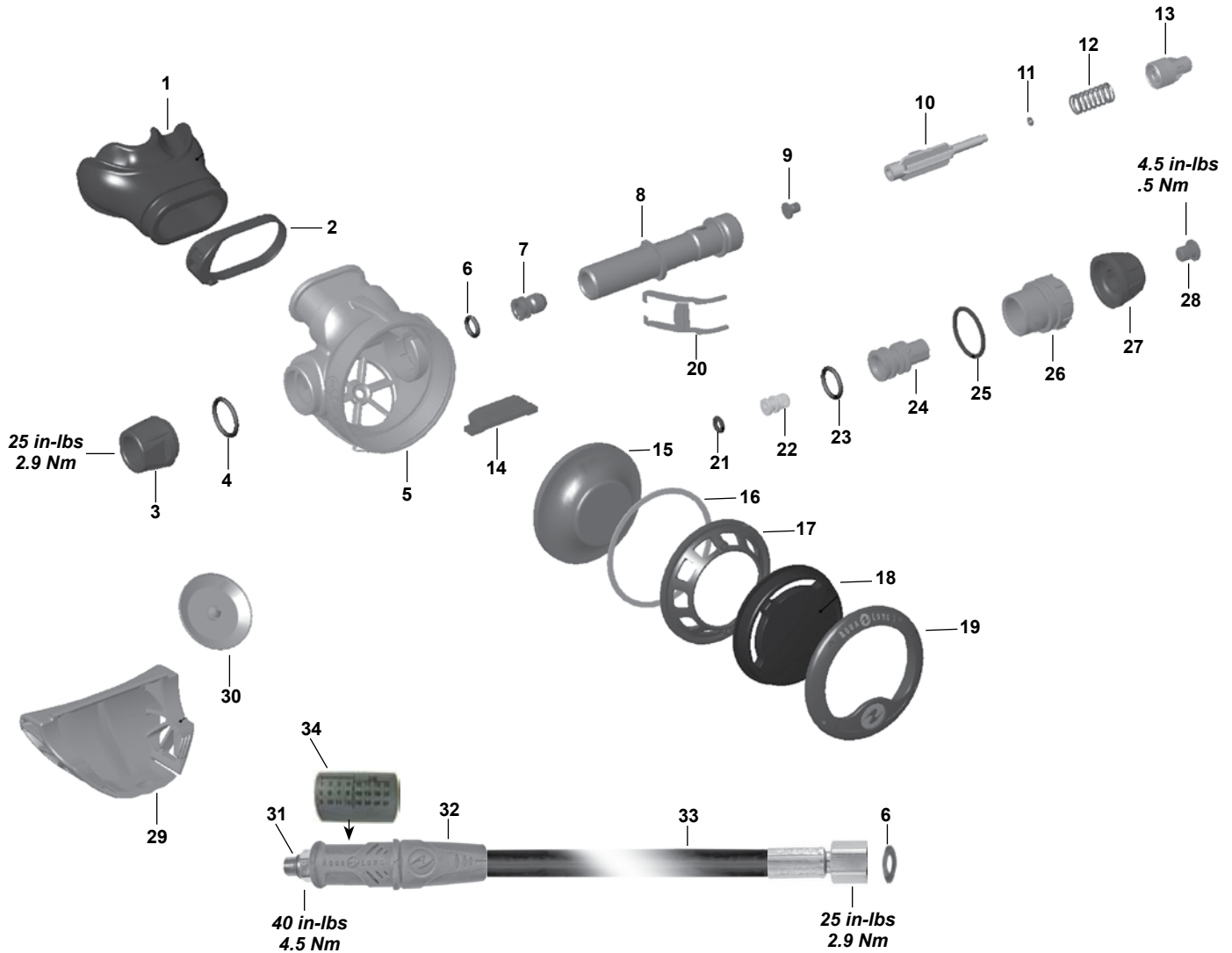


Old Revision

Key #	Part #	Description	Key #	Part #	Description
-----	<b>900012</b>	<b>Overhaul Parts Kit</b>	-----	104138	Mouthpiece, Standard
-----	128126	Titan LX, Second Stage Only	13 ----	104102	Exhaust Tee
-----	128128	Titan LX Supreme, Second Stage Only	14 ----	129174	Exhaust Valve
-----	129104	Legend, Second Stage Only	15 ----	AP2031	Retaining Nut
-----	129108	Legend Supreme, Second Stage Only	16 ----	129148	Heat Exchanger
1a ----	129171	Retaining Ring, Silver (Legend)	<b>17 ---- 820015P</b>		<b>O-ring (10 pk)</b>
-----	129179	Retaining Ring, Gold (Legend)	18 ----	AP2033	Crown
1b ----	128102	Retaining Ring, Black (Titan LX)	<b>19 ---- 820010P</b>		<b>O-ring (25 pk)</b>
2 ----	129173	Mating Ring, Rubber (Legend)	<b>20 ---- AP1438P</b>		<b>O-ring (10 pk)</b>
3 ----	129236	Purge Cover, Black (Legend)	21 ----	129139	Venturi Lever, Black
-----	129237	Purge Cover, Yellow (Legend Octo)	22 ----	129146	Valve Body
4 ----	128103	Purge Cover, Titan LX	23 ----	AP1151	Pin
-----	128105	Purge Cover, Titan LX, Supreme	24 ----	129178	Lever
-----	128107	Purge Cover, Titan LX, Octo, Yellow	<b>25 ---- AP2034</b>		<b>MP Seat</b>
5 ----	129195	Diaphragm Retainer, Black	26 ----	AP2036	Shuttle Valve
-----	128104	Diaphragm Retainer, Red	<b>27 ---- AP2041P</b>		<b>O-ring (10 pk)</b>
-----	128108	Diaphragm Retainer, Blue	28 ----	AP2021	Spring
6 ----	129133	Thrust Washer	29 ----	AP2038	Counterbalance Chamber
7 ----	129150	Diaphragm	<b>30 ---- 820011P</b>		<b>O-ring (25 pk)</b>
8 ----	129184	Baffle	31 ----	129162	Adjustment Screw
9 ----	129164	Box Bottom	32 ----	129161	Plug
-----	129188	Box Bottom, Legend Supreme	33 ----	124570	Hose Protector, Black
10 ----	129154	Mouthpiece Clamp	-----	124573	Hose Protector, Yellow
11 ----	109512	Lip Shield, Supreme Model	34 ----	APF124563	MP Hose, 3/8" x 30", w/Protector
12 ----	109438	Mouthpiece, ComfoBite	-----	APF124566	MP Hose, 3/8" x 39", Yellow, w/ Protector
			35 ----	129160	Hose Sleeve
			36 ----	128624	Service Date Sleeve

Part numbers in **BOLD ITALICS** indicate standard overhaul replacement part.

# Mikron • Mikron Octopus

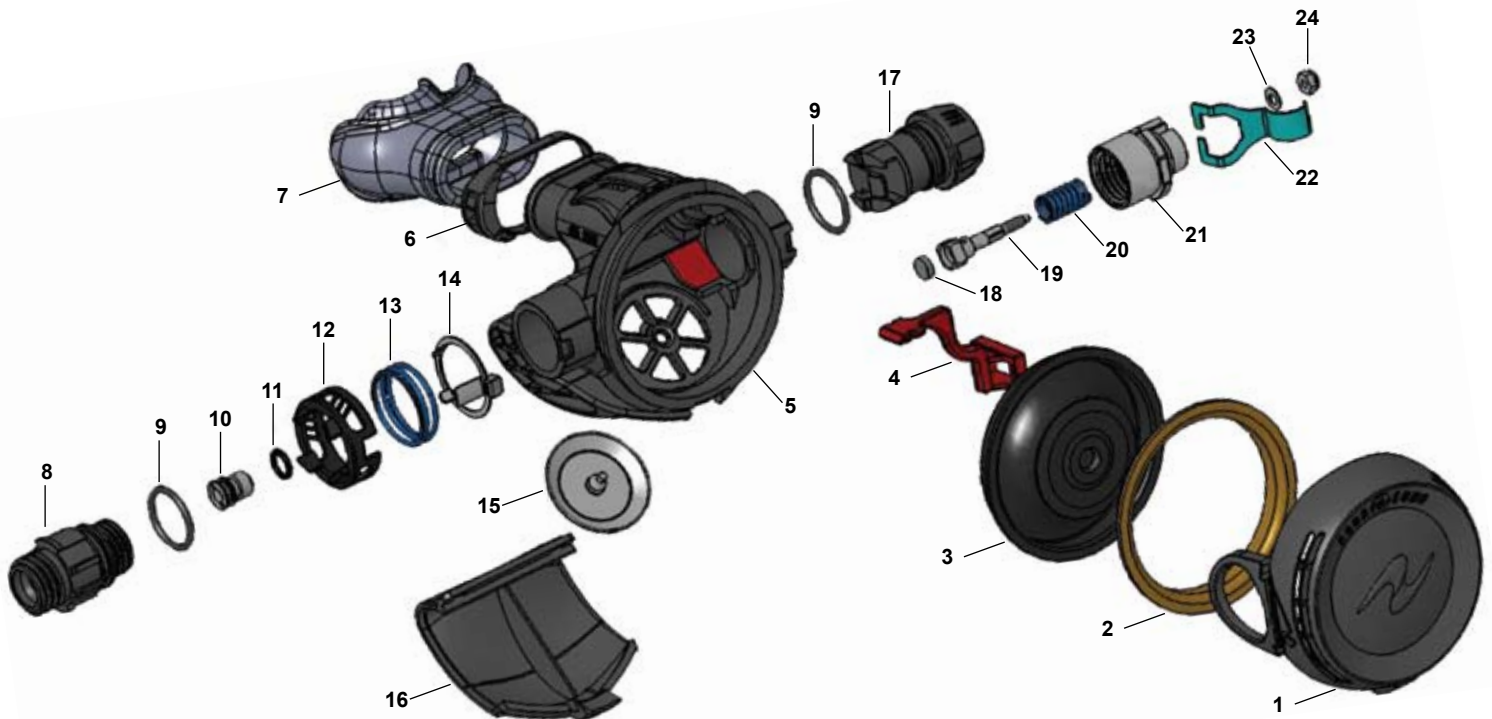


Key #	Part #	Description
----	127870	Mikron, Second Stage, Green
----	127835	Mikron, Second Stage, Van/Pnk
----	<b>900012</b>	<b>Overhaul Parts Kit</b>
1----	109438	Mouthpiece, Comfobite
----	127826	Mouthpiece, Comfobite, Small
----	104138	Mouthpiece, Standard
2----	129154	Mouthpiece Clamp
3----	127818	Insert Screw
<b>4----</b>	<b>820015P</b>	<b>O-ring (10 pk)</b>
5----	127842	Case, Mikron
<b>6----</b>	<b>820010P</b>	<b>O-ring (25 pk)</b>
7----	AP2033	Crown
8----	127817	Valve Body
<b>9----</b>	<b>AP2034</b>	<b>MP Seat</b>
10----	AP2036	Shuttle Valve
<b>11----</b>	<b>AP2041P</b>	<b>O-ring (10 pk)</b>
12----	AP2021	Spring
13----	127607	Counterbalance Chamber
14----	127827	Baffle
15----	127816	Diaphragm
16----	127815	Washer, Diaphragm
17----	127814	Retainer, Diaphragm, Black
----	127869	Retainer, Diaphragm, Green
----	127832	Retainer, Diaphragm, Red

Key #	Part #	Description
18----	127871	Purge Cover, Mikron, Black/Green
----	127836	Purge Cover, Mikron, Black/Red
----	127881	Purge Cover, Mikron, Black/Pink
----	127838	Purge Cover, Mikron, Vanilla
----	127848	Purge Cover, Mikron, Yellow
19----	127843	Retaining Ring, Mikron
20----	127828	Lever
<b>21----</b>	<b>820007P</b>	<b>O-ring (20 pk)</b>
22----	127823	Adjustment Screw
<b>23----</b>	<b>820013P</b>	<b>O-ring (10 pk)</b>
24----	127822	Cam, Mikron
<b>25----</b>	<b>820018P</b>	<b>O-ring (20 pk)</b>
26----	127819	Screw, Valve Body
27----	127821	Adjusting Knob
28----	127877	Plug, Mikron, Silver
----	127868	Plug, Mikron, Green
----	127824	Plug, Mikron, Red
----	127833	Plug, Mikron, Vanilla
----	127846	Plug, Mikron, Yellow
29----	127825	Exhaust Tee
30----	129174	Exhaust Valve
<b>31----</b>	<b>820011P</b>	<b>O-ring (25 pk)</b>
32----	124570	Hose Protector, Black
----	124573	Hose Protector, Yellow
33----	129861	MP Hose, Aquaflex 3/8" x 30" Black w/Protector
----	129862	MP Hose, Aquaflex 3/8" x 39" Yellow w/Protector
34----	128624	Service Date Sleeve

Part numbers in **BOLD ITALICS** indicate standard overhaul replacement part.

## Titan • Titan Octopus • Calypso

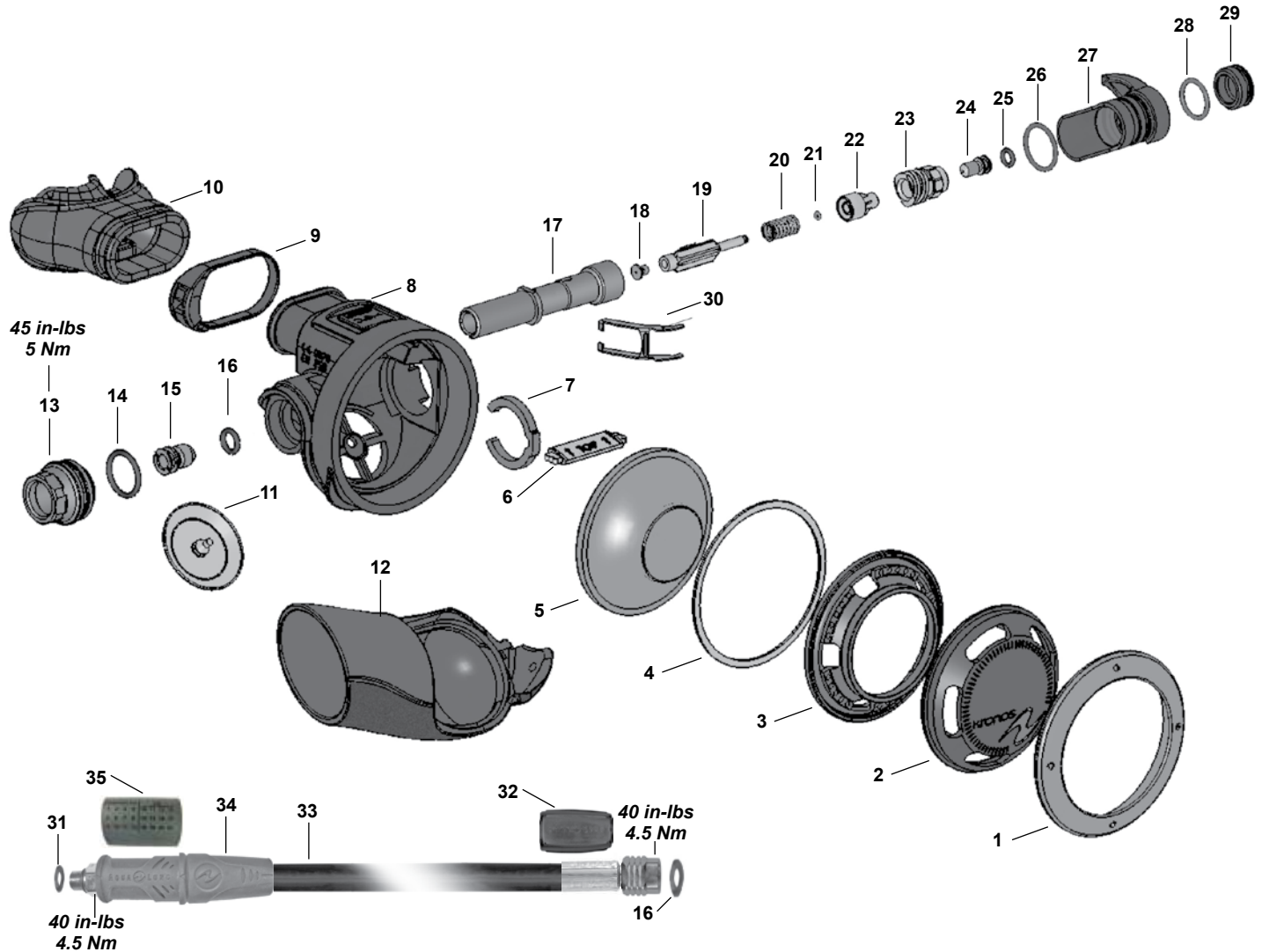


40 in-lbs  
4.5 Nm

Key #	Part #	Description	Key #	Part #	Description
----	128540	Second Stage, Titan	12 ----	128603	Hose Locker
----	128550	Second Stage, Calypso	13 ----	128605	Spring
-----	<b>900010</b>	<b>Overhaul Parts Kit</b>	14 ----	128609	Ring Locker
1 ----	128615	Front Cover, Titan	15 ----	129174	Exhaust Valve
----	128616	Front Cover, Calypso	16 ----	128613	Exhaust Valve Cover
----	128628	Front Cover, Calypso O2/Titan O2	17 ----	128611	Venturi Knob
----	128618	Front Cover, Octo	<b>18 ----</b>	<b>106738</b>	<b>MP Seat</b>
2 ----	124509	Diaphragm Washer	19 ----	104122	Poppet
3 ----	128610	Diaphragm	20 ----	125737	Spring
4 ----	128612	Venturi	21 ----	128606	Valve Insert, Reversible
5 ----	128602	Case	22 ----	104108	Lever
6 ----	129154	Mouthpiece Clamp	23 ----	104129	Washer
7 ----	109438	Mouthpiece, ComfoBite	<b>24 ----</b>	<b>102510</b>	<b>Locknut</b>
----	104138	Mouthpiece, Standard	<b>25 ----</b>	<b>820011P</b>	<b>O-ring (25 pk)</b>
8 ----	128604	Crown Holder	26 ----	124570	Hose Protector, Blk
<b>9 ----</b>	<b>820017P</b>	<b>O-ring (10 pk)</b>	----	124573	Hose Protector, Yellow
10 ----	128621	Crown	27 ----	129160	Hose Sleever
<b>11 ----</b>	<b>820010P</b>	<b>O-ring (25 pk)</b>	28 ----	128619	MP Hose, Quick Connect, 3/8" x 30"
			----	128620	MP Hose, Quick Connect, 3/8" x 39"
			29 ----	128624	Service Date Sleeve

Part numbers in **BOLD ITALICS** indicate standard overhaul replacement part.

## Kronos • Kronos Supreme • Kronos Octopus



Key #	Part #	Description
-------	--------	-------------

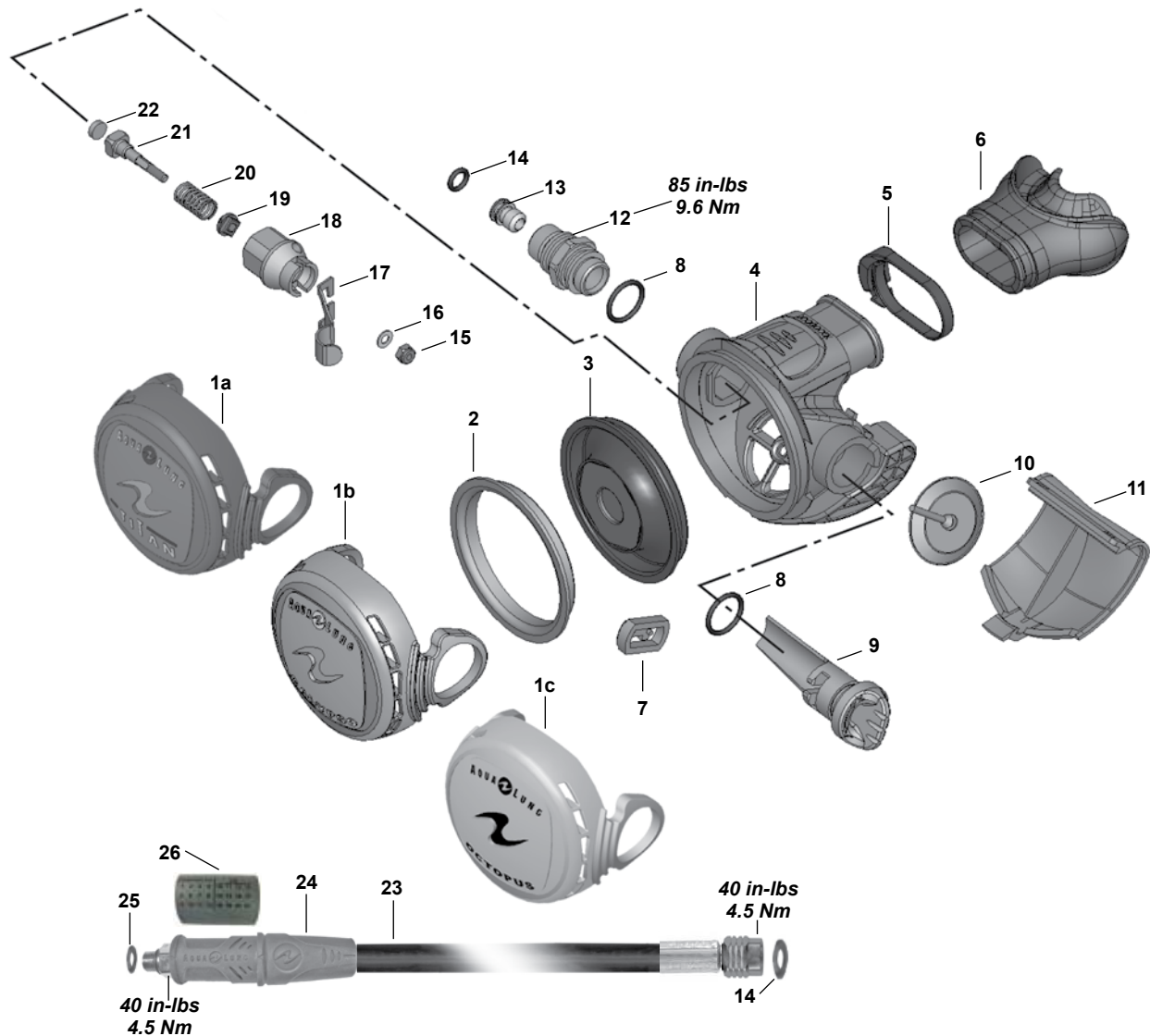
----	127600	Second Stage, Kronos
----	127610	Second Stage, Kronos Supreme
----	<b>900012</b>	<b>Overhaul Parts Kit</b>
1----	127602	Retaining Ring, Kronos
----	127621	Retaining Ring, Kronos Octo
2----	127614	Purge Cover, Kronos
----	127615	Purge Cover, Kronos Supreme
----	127616	Purge Cover, Kronos Octo
3----	127625	Diaphragm Retainer
4----	129133	Washer
5----	129150	Diaphragm
6----	129184	Baffle
7----	127612	Clip
8----	127617	Case, Kronos
----	127618	Case, Kronos Supreme
9----	129154	Mouthpiece Clamp
10----	109438	Mouthpiece, ComfoBite
----	104138	Mouthpiece, Standard
11----	129174	Exhaust Valve
12----	127622	Exhaust Tee, Kronos
13----	127606	Heat Exchanger
<b>14----</b>	<b>820015P</b>	<b>O-ring (10 pk)</b>

Key #	Part #	Description
-------	--------	-------------

15----	AP2033	Crown
<b>16----</b>	<b>820010P</b>	<b>O-ring (25 pk)</b>
17----	127605	Valve Body
<b>18----</b>	<b>AP2034</b>	<b>MP Seat</b>
19----	AP2036	Shuttle Valve
20----	AP2021	Spring
<b>21----</b>	<b>AP2041P</b>	<b>O-ring (10 pk)</b>
22----	127607	Counterbalance Chamber
23----	127609	Cam
24----	127608	Adjusting Screw
<b>25----</b>	<b>820009P</b>	<b>O-ring (10 pk)</b>
<b>26----</b>	<b>820018P</b>	<b>O-ring (20 pk)</b>
27----	127626	Venturi Lever
<b>28----</b>	<b>820016P</b>	<b>O-ring (10 pk)</b>
29----	127624	Plug
30----	129178	Lever
<b>31----</b>	<b>820011P</b>	<b>O-ring (25 pk)</b>
32----	129160	Hose Sleeve
33----	APF124563	MP Hose 3/8" x 30", w/ Protector
----	APF124566	MP Hose 3/8" x 39", yel, w/ Protector
34----	124570	Hose Protector, Black
----	124573	Hose Protector, Yellow
35----	128624	Service Date Sleeve

Part numbers in **BOLD ITALICS** indicate standard overhaul replacement part.

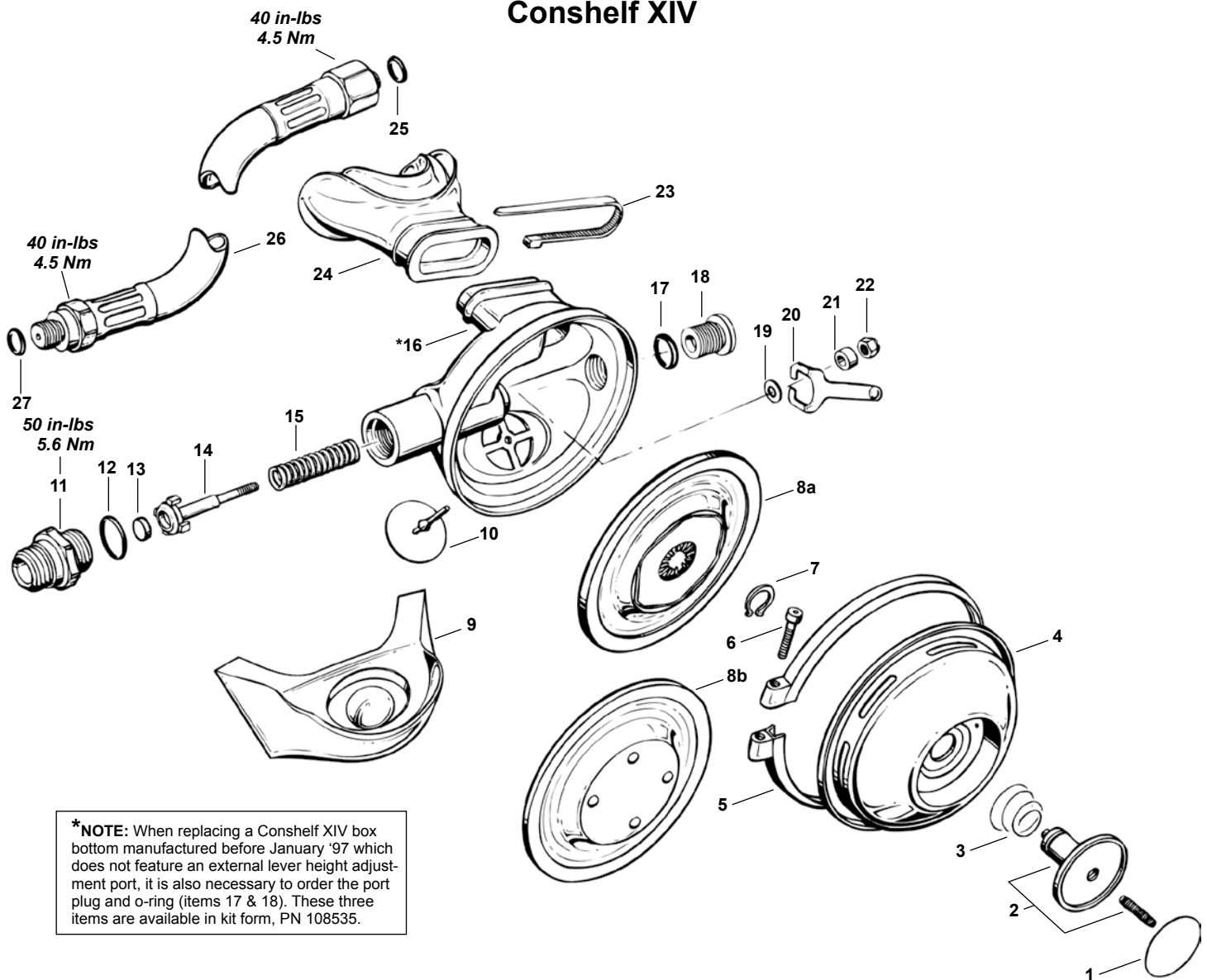
**Calypso • Calypso O2 •  
Titan • Octopus (discontinued)**



Key #	Part #	Description	Key #	Part #	Description
-----	<b>900010</b>	<b>Overhaul Parts Kit</b>	13	100128	Crown Orifice
1a	125732	Front Cover, Titan	<b>14</b>	<b>820010P</b>	<b>O-ring (25 pk)</b>
1b	125719	Front Cover, Calypso	<b>15</b>	<b>102510</b>	<b>Locknut</b>
-----	125734	Front Cover, Calypso, Green, O2	16	104129	Washer
1c	125724	Front Cover, Octopus	17	125708	Lever
2	124509	Diaphragm Washer	18	125709	Valve Insert
3	125705	Diaphragm	<b>19</b>	<b>104134</b>	<b>Poppet Bearing</b>
4	125721	Box Bottom	20	104127	Spring
5	129154	Mouthpiece Clamp	21	104122	Poppet
6	109438	Mouthpiece, Comfobite	<b>22</b>	<b>106738</b>	<b>MP Seat</b>
-----	104138	Mouthpiece, Octopus	23	APF124563	MP Hose, Black, 3/8" x 30", w/ Protector
7	125707	Retaining Clip, Venturi Switch	-----	APF124566	MP Hose, Octo, Yellow, 3/8" x 39", w/ Protector-
<b>8</b>	<b>820015P</b>	<b>O-ring (10 pk)</b>	24	124570	Hose Protector, Black
9	125706	Venturi Switch	-----	124573	Hose Protector, Yellow
10	129174	Exhaust Valve	<b>25</b>	<b>820011P</b>	<b>O-ring (25 pk)</b>
11	125702	Exhaust Valve Cover	26	128624	Service Date Sleeve
12	104106	Inlet Fitting			

Part numbers in **BOLD ITALICS** are included in service kit.

# Conshelf XIV

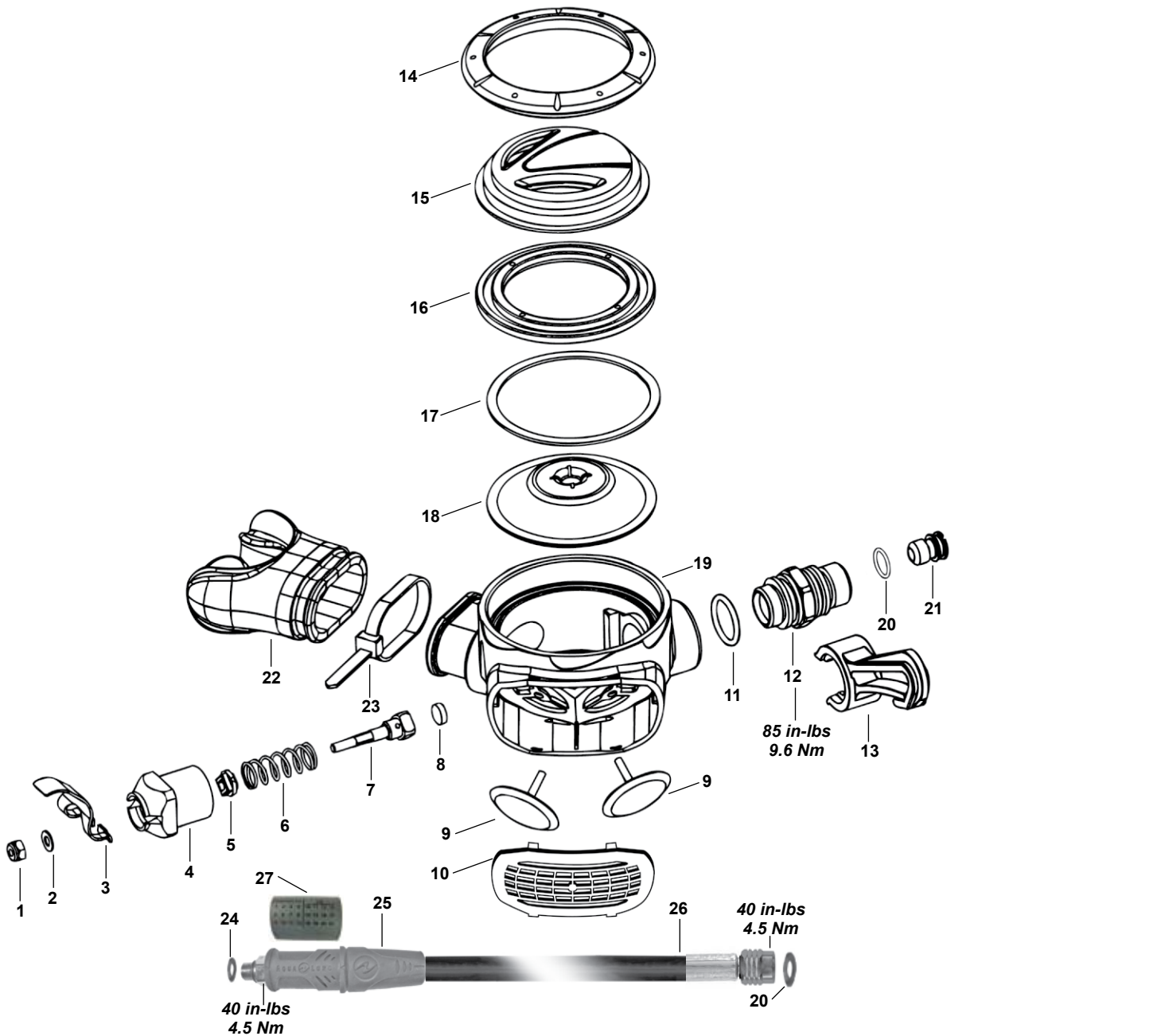


**\*NOTE:** When replacing a Conshelf XIV box bottom manufactured before January '97 which does not feature an external lever height adjustment port, it is also necessary to order the port plug and o-ring (items 17 & 18). These three items are available in kit form, PN 108535.

Key #	Part #	Description	Key #	Part #	Description
-----	108530	Conshelf XIV Second Stage w/o hose	-----	108535	Box Bottom Kit (includes 16, 17 & 18)
-----	108538	Conshelf XIV Supreme Second Stage w/o hose	<b>17</b> ----	<b>957025P</b>	<b>O-ring (10 pk)</b>
-----	<b>900013</b>	<b>Overhaul Parts Kit</b>	18 ----	102004	Plug
1 ----	108185	Decal, Conshelf XIV	19 ----	107607	Washer
2 ----	103706	Purge Button w/ Adjustment Screw	20 ----	107605	Lever
3 ----	102708	Purge Spring	21 ----	107606	Spacer
4 ----	107001	Box Top	<b>22</b> ----	<b>102510</b>	<b>Locknut</b>
5 ----	390147	Box Top Clamp	<b>23</b> ----	<b>104940</b>	<b>Clamp, Clear</b>
6 ----	834023	Clamp Screw	-----	<b>104913</b>	<b>Clamp, Black</b>
7 ----	860037	Retaining Ring	24 ----	105884	Comfo Bite Mouthpiece, Clear
8a ----	100571	Demand Diaphragm, Liquid Injection Molded	-----	105885	Comfo Bite Mouthpiece, Black
8b ----	103732	Demand Diaphragm (U.S. Military Only)	-----	105889	Standard Mouthpiece, Clear
9 ----	101919	Exhaust Tee	-----	105879	Standard Mouthpiece, Black
10 ----	105139	Exhaust Valve	<b>25</b> ----	<b>820010P</b>	<b>O-ring (25 pk)</b>
11 ----	100444	Inlet Fitting	26 ----	090015	MP Hose Assy, 3/8" x 30"
<b>12</b> ----	<b>820014P</b>	<b>O-ring (25 pk)</b>	<b>27</b> ----	<b>820011P</b>	<b>O-ring (25 pk)</b>
<b>13</b> ----	<b>108510</b>	<b>MP Seat</b>			
14 ----	104903	Poppet			
15 ----	108504	Spring (Standard)			
-----	108514	Spring (Octopus)			
16 ----	108122	Box Bottom			

Part numbers in **BOLD ITALICS** indicate standard overhaul replacement part.

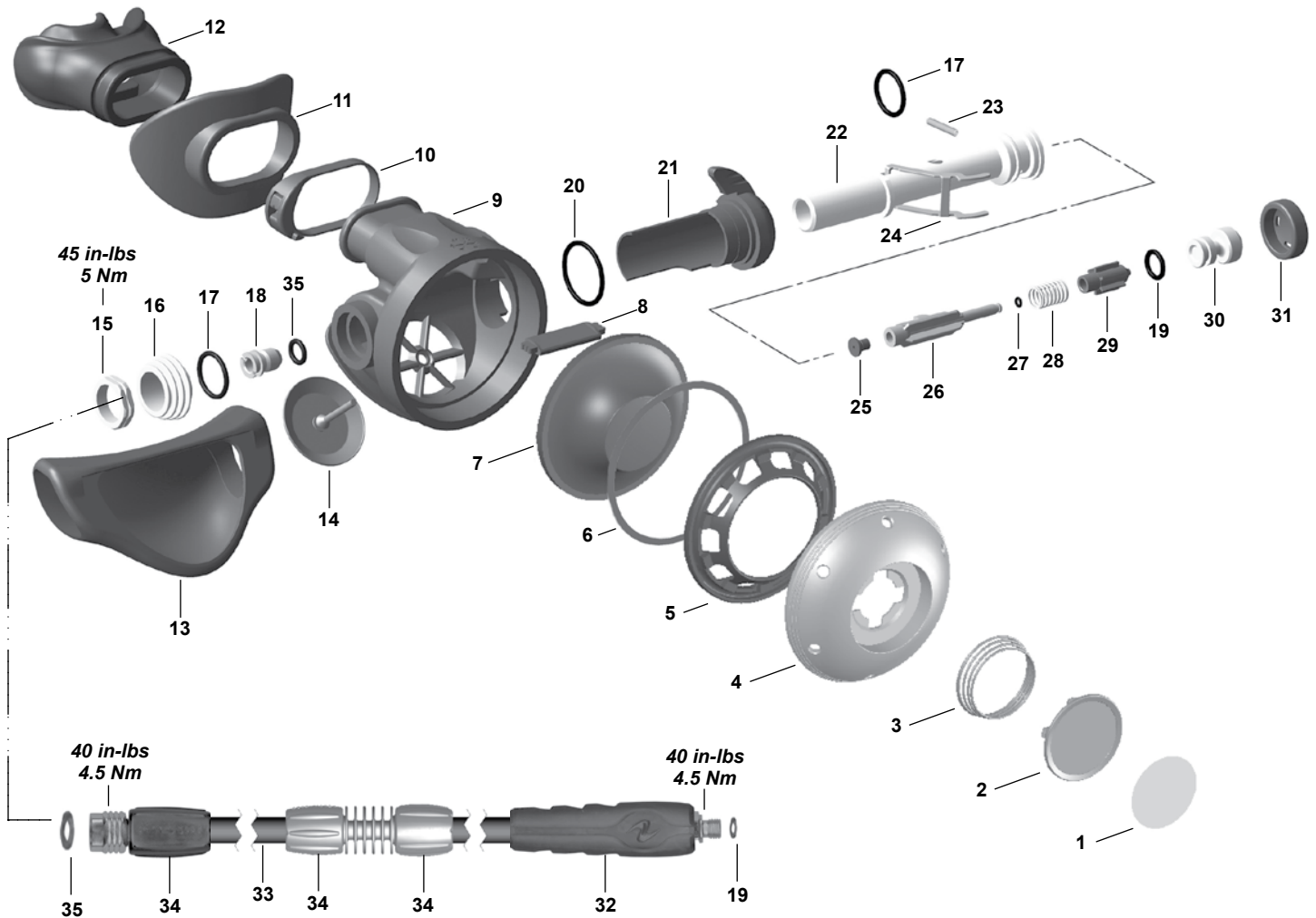
## ABS Octopus



Key #	Part #	Description	Key #	Part #	Description
	<b>----- 900010</b>	<b>Overhaul Parts Kit</b>	14	116922	Cover Ring
<b>1</b>	<b>----- 102510</b>	<b>Locknut</b>	15	116929	Purge Cover
2	----- 104129	Washer	16	116923	Diaphragm Retainer
3	----- 116928	Lever	17	107818	Diaphragm Washer
4	----- 116926	Valve Body	18	116930	Diaphragm
<b>5</b>	<b>----- 104134</b>	<b>Poppet Bearing</b>	19	116927	Box Bottom
6	----- 104127	Spring	<b>20</b>	<b>----- 820010P</b>	<b>O-ring (25 pk)</b>
7	----- 104122	Poppet	21	100128	Crown Orifice
<b>8</b>	<b>----- 106738</b>	<b>MP Seat</b>	22	104138	Mouthpiece, Octopus
9	----- 100122	Exhaust Valves	<b>23</b>	<b>----- 104913</b>	<b>Clamp</b>
10	----- 116925	Exhaust Grid	<b>24</b>	<b>----- 820011P</b>	<b>O-ring (25 pk)</b>
<b>11</b>	<b>----- 820015P</b>	<b>O-ring (10 pk)</b>	25	----- 124573	Hose Protector, Yellow
12	----- 104106	Inlet Fitting	26	APF124566	MP Hose, Octopus, Yellow, 3/8" x39" w/Protector
13	----- 100924	Hose Retaining Clip	27	----- 128624	Service Date Sleeve

Part numbers in **BOLD ITALICS** indicate standard overhaul replacement part.

## Legend Glacia • Glacia Octopus (discontinued)

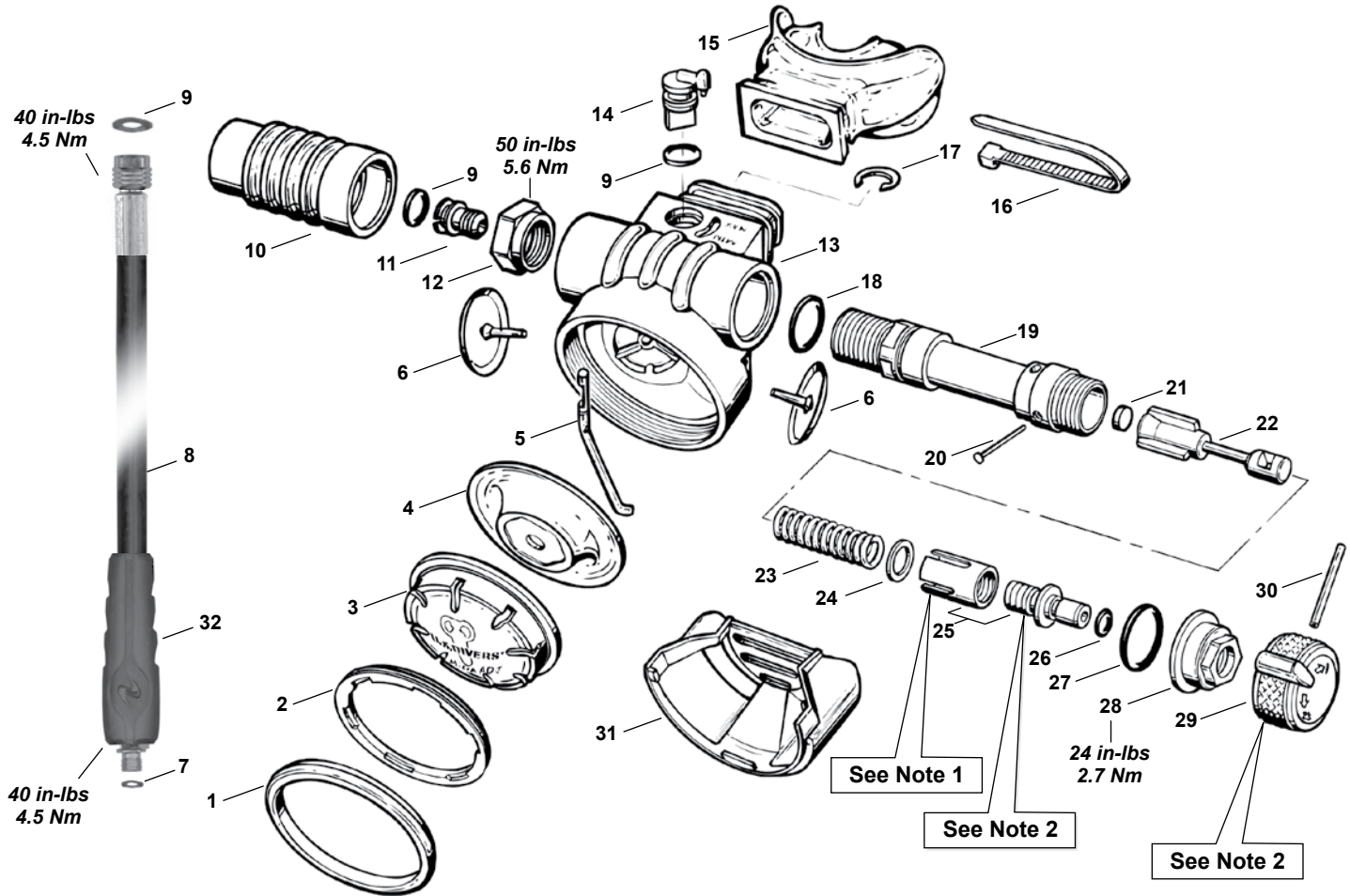


Key #	Part #	Description
-----	129348	Second Stage, Glacia
-----	<b>900012</b>	<b>Overhaul Parts Kit</b>
1----	129344	Decal, Purge Button, Glacia
-----	129354	Decal, Purge Button, Glacia Octo
2----	AP5805	Purge Button
3----	AP2020	Spring
4----	129351	Purge Cover, Glacia
5----	129195	Diaphragm Retainer
6----	129133	Thrust Washer
7----	129150	Diaphragm
8----	129184	Baffle
9----	129188	Box Bottom
10----	129154	Mouthpiece Clamp
11----	109512	Lip Shield
-----	109438	Mouthpiece, ComfoBite
-----	104138	Mouthpiece, Standard
13----	104102	Exhaust Tee
14----	129174	Exhaust Valve
15----	AP2031	Retaining Nut
16----	129148	Heat Exchanger
<b>17----</b>	<b>820015P</b>	<b>O-ring (10 pk)</b>

Key #	Part #	Description
18----	AP2033	Crown
<b>19----</b>	<b>820011P</b>	<b>O-ring (25 pk)</b>
<b>20----</b>	<b>AP1438P</b>	<b>O-ring (10 pk)</b>
21----	129139	Venturi Lever, Black
22----	129146	Valve Body
23----	AP1151	Pin
24----	129178	Lever
<b>25----</b>	<b>AP2034</b>	<b>MP Seat</b>
26----	AP2036	Shuttle Valve
<b>27----</b>	<b>AP2041P</b>	<b>O-ring (10 pk)</b>
28----	AP2021	Spring
29----	AP2038	Counterbalance Chamber
30----	129162	Adjustment Screw
31----	129161	Plug
32----	124570	Hose Protector, Black
-----	124573	Hose Protector, Yellow
33----	129343	MP Hose w/Heat x, 3/8x30
-----	129352	MP Hose w/Heat x, Yellow 3/8x36
34----	129160	Hose Sleeve
<b>35----</b>	<b>820010P</b>	<b>O-ring (25 pk)</b>

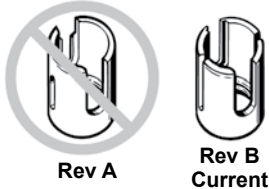
Part numbers in **BOLD ITALICS** indicate standard overhaul replacement part.

**Micra ADJ (discontinued)**



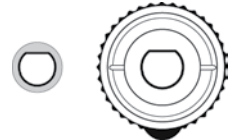
**NOTE 1:**

The Lever Retaining Sleeve (Key #25) was revised in 1997. Be sure to correctly identify the part before reinstalling, and replace with new if found to be a Revision A part. (Refer to Technical Bulletin No. 10, dated August 15, 1997.)



**NOTE 2:**

The Adjustment Screw (Key #25) and Knob (Key #29) have undergone a change revision, and are now keyed for easier alignment. It will be necessary to order both parts when replacing one which is not the current revision.

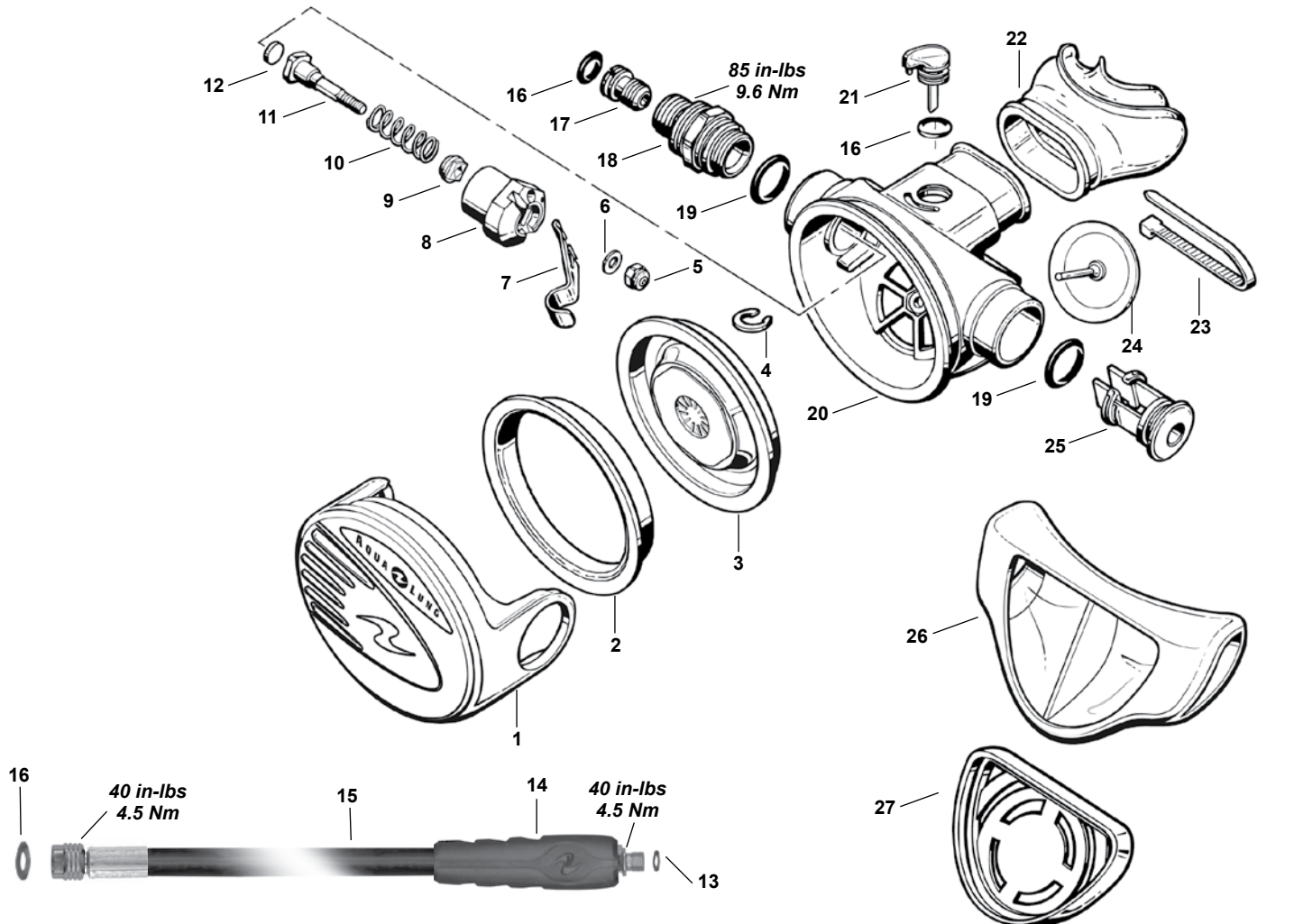


Key #	Part #	Description
-----	<b>900003</b>	<b>Overhaul Parts Kit</b>
1----	100862	Color Ring - Silver
2----	100119	Retaining Ring
3----	100849	Purge Cover
4----	100181	Demand Diaphragm
5----	100856	Lever
6----	100122	Exhaust Valve Diaphragm
7----	<b>957025P</b>	<b>O-ring, 1/2" Hose (10 pk)</b>
-----	<b>820011P</b>	<b>O-ring, 3/8" Hose (25 pk)</b>
8----	APF124565	MP Hose Assy, 1/2" x 30", w/Protector
-----	APF124563	MP Hose Assy, 3/8" x 30", w/Protector
-----	APF124566	MP Hose, Octo, Yellow, 3/8" x 39", w/Protector
9----	<b>820010P</b>	<b>O-ring (25 pk)</b>
10----	100103	Hose Protector, Black
11----	100128	Adjustable Crown
12----	100136	Hex Nut, 3/4"
13----	100143	Box Bottom
14----	100108	Vane Adjustment Switch
15----	105838	Mouthpiece, Comfo Snap-on, Standard
-----	105848	Mouthpiece, Comfo Snap-on, Small
-----	105831	Mouthpiece, Snap-on, Octopus

Key #	Part #	Description
16----	<b>104913</b>	<b>Clamp, Black</b>
17----	860137	C-Clip
18----	<b>820314</b>	<b>O-ring</b>
19----	100845	Valve Body
20----	100132	Pin
21----	<b>108510</b>	<b>MP Seat</b>
22----	100843	Poppet
23----	108515	Spring
24----	100853	Washer
25----	100888	Lever Retaining Sleeve & Adjustment Screw
26----	<b>820008</b>	<b>O-ring</b>
27----	<b>820016P</b>	<b>O-ring (10 pk)</b>
28----	100841	Cap Nut
29----	100872	Adjustment Knob
30----	100854	Pin
31----	100109	Exhaust Cover, Original
-----	100110	Exhaust Cover, Swept Back
32----	124570	Hose Protector, Black
-----	124573	Hose Protector, Yellow

Part numbers in **BOLD ITALICS** indicate standard overhaul replacement part.

**Titan • Cousteau • Calypso • Partner • Octopus**  
**(1998-2004) (discontinued)**



**Key # Part # Description**

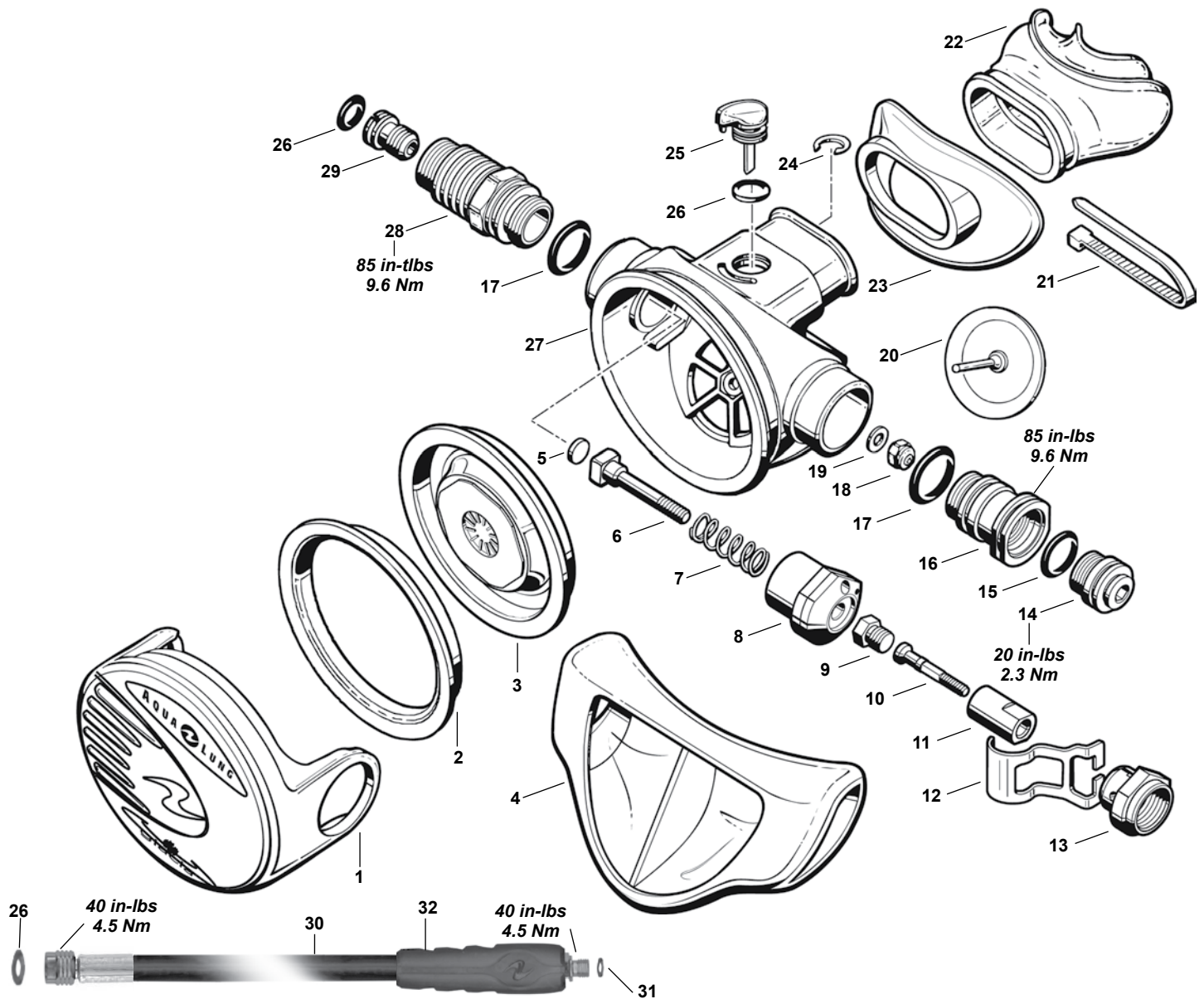
-----	<b>900010</b>	<b>Overhaul Parts Kit</b>
1----	124576	Front Cover, Calypso
-----	124578	Front Cover, Titan
-----	124577	Front Cover, Octopus/Partner
2----	124509	Sealing Ring
3----	104123	Diaphragm
4----	860137	Circlip
<b>5----</b>	<b>102510</b>	<b>Locknut</b>
6----	104129	Washer
7----	104108	Lever
8----	104132	Valve Insert (Right Hand)
-----	104131	Valve Insert (Left Hand)
<b>9----</b>	<b>104134</b>	<b>Poppet Bearing</b>
10----	104127	Spring
11----	104122	Poppet
<b>12----</b>	<b>106738</b>	<b>MP Seat</b>
<b>13----</b>	<b>957025P</b>	<b>O-ring, Cousteau (10 pk)</b>
-----	<b>820011P</b>	<b>O-ring, Titan/Calypso/Octopus (25 pk)</b>

**Key # Part # Description**

14----	124570	Hose Protector, Black
-----	124573	Hose Protector, Yellow
15----	APF124565	MP Hose, Cousteau, 1/2" x 30", w/Protector
-----	APF124563	MP Hose, Titan/Calypso, 3/8" x 30", w/Protector
-----	APF124566	MP Hose, Octo, Yellow, 3/8" x 39", w/Protector
<b>16----</b>	<b>820010P</b>	<b>O-ring (25 pk)</b>
17----	100128	Crown
18----	104106	Inlet Fitting
<b>19----</b>	<b>820015P</b>	<b>O-ring (10 pk)</b>
20----	104101	Box Bottom
21----	104113	Vane Adjustment Switch
22----	109438	Mouthpiece, Comfo Bite™
-----	104138	Mouthpiece, Octopus
<b>23----</b>	<b>104913</b>	<b>Clamp</b>
24----	107822	Exhaust Diaphragm
25----	104112	End Plug
26----	104102	Exhaust Tee
27----	NLA	Exhaust Cover, Yellow, Octopus

Part numbers in **BOLD ITALICS** indicate standard overhaul replacement part.

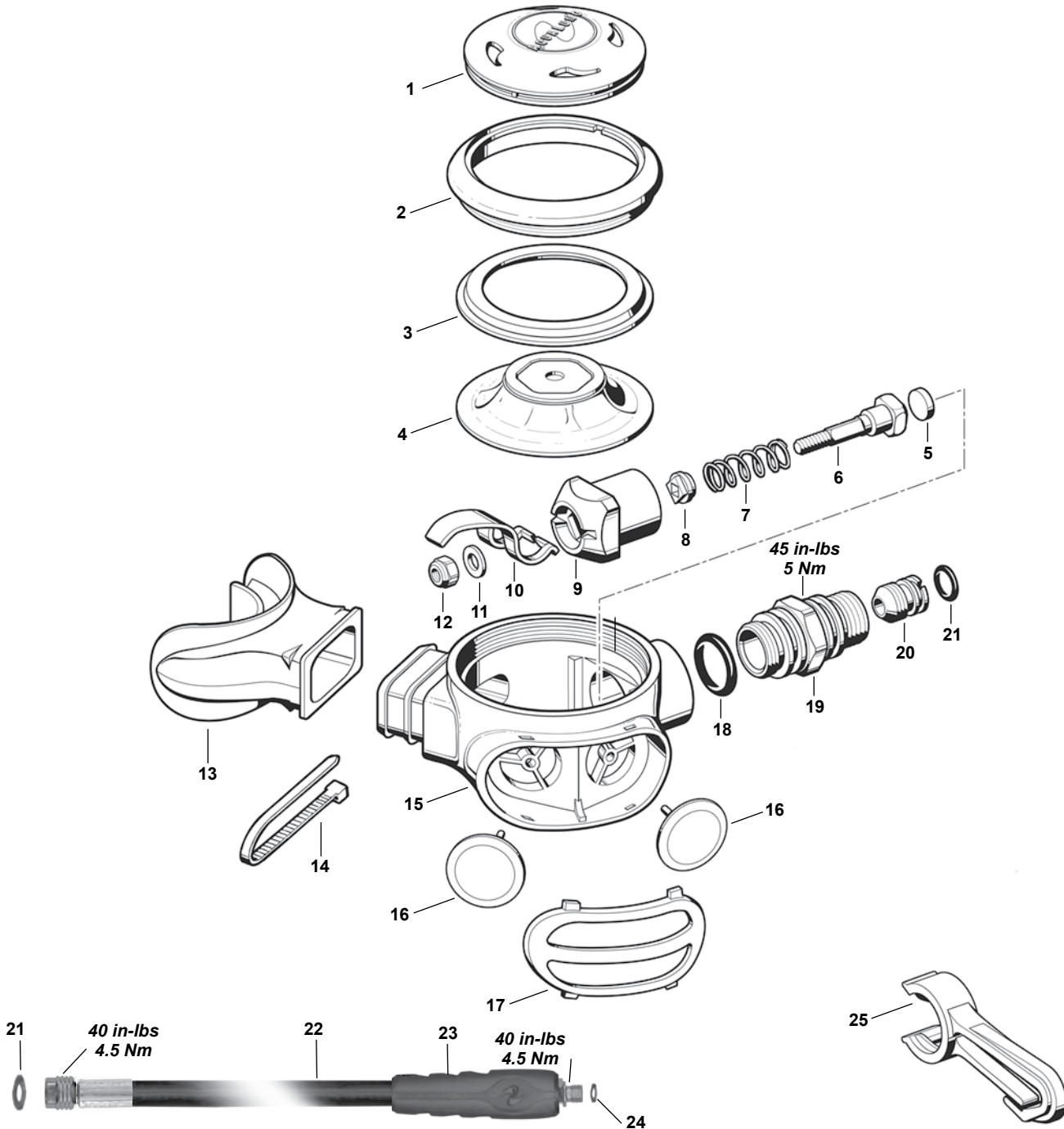
## Glacia • Glacia Octopus (discontinued)



Key #	Part #	Description	Key #	Part #	Description
-----	<b>900010</b>	<b>Overhaul Parts Kit</b>	<b>18</b> ----	<b>102510</b>	<b>Locknut</b>
1 ----	124579	Front Cover, 2002	19 ----	104129	Washer
2 ----	124509	Sealing Ring	20 ----	107822	Exhaust Diaphragm
3 ----	104123	Diaphragm	<b>21</b> ----	<b>104913</b>	<b>Clamp</b>
4 ----	104102	Exhaust Tee	22 ----	109438	Mouthpiece, Comfo Bite™
<b>5</b> ----	<b>106738</b>	<b>MP Seat</b>	----	104138	Mouthpiece, Octopus
6 ----	NLA	Poppet	23 ----	109512	Lip Shield
7 ----	104127	Spring	24 ----	860137	Circlip
8 ----	NLA	Valve Insert	25 ----	104113	Vane Adjustment Switch
9 ----	NLA	Connecting Nut	<b>26</b> ----	<b>820010P</b>	<b>O-ring (25 pk)</b>
10 ----	NLA	Pin	27 ----	104101	Box Bottom
11 ----	NLA	Sheath	28 ----	NLA	Inlet Fitting
12 ----	NLA	Lever	29 ----	100128	Crown
13 ----	NLA	Lever Support	30 ----	APF124565	MP Hose, Cousteau, 1/2" x 30", w/Protector
14 ----	NLA	Ribbed Plug	----	APF124563	MP Hose, Titan, 3/8" x 30", w/Protector
<b>15</b> ----	<b>957025P</b>	<b>O-ring (10 pk)</b>	----	APF124566	MP Hose, Octo, Yellow, 3/8" x 39", w/Protector
16 ----	NLA	Insert	<b>31</b> ----	<b>957025P</b>	<b>O-ring, Cousteau (10 pk)</b>
<b>17</b> ----	<b>820015P</b>	<b>O-ring (10 pk)</b>	----	<b>820011P</b>	<b>O-ring, Titan/Octopus (25 pk)</b>
			32 ----	124570	Hose Protector, Black
			----	124573	Hose Protector, Yellow

Part numbers in **BOLD ITALICS** indicate standard overhaul replacement part.

**LPO (Low Profile Octopus) (discontinued)**



Key #	Part #	Description
-----	<b>900010</b>	<b>Overhaul Parts Kit</b>
1----	100904	Purge Cover
2----	100906	Color Ring
3----	100909	Retaining Ring
4----	100181	Diaphragm
<b>5----</b>	<b>106738</b>	<b>MP Seat</b>
6----	104122	Poppet
7----	104127	Spring
<b>8----</b>	<b>104134</b>	<b>Poppet Bearing</b>
9----	100945	Valve Body
10----	100923	Lever
11----	104129	Washer
<b>12----</b>	<b>102510</b>	<b>Locknut</b>

Key #	Part #	Description
13----	105831	Mouthpiece
<b>14----</b>	<b>104913</b>	<b>Clamp</b>
15----	100903	Box Bottom
16----	100922	Exhaust Valve Diaphragm
17----	100907	Exhaust Cover
<b>18----</b>	<b>820015P</b>	<b>O-ring (10 pk)</b>
19----	104106	Inlet Fitting
20----	100128	Adjustable Crown
<b>21----</b>	<b>820010P</b>	<b>O-ring (25 pk)</b>
22----	APF124566	MP Hose, Octo, Yellow 3/8" x 39" w/ Protector
23----	124573	Hose Protector, Yellow
<b>24----</b>	<b>820011P</b>	<b>O-ring (25 pk)</b>
25----	100924	Hose Retaining Clip

Part numbers in **BOLD ITALICS** indicate standard overhaul replacement part.

## Common Spares

## Regulator Accessories

Part #	Description
102085	--- Adapter, HP, 3/8" Female to 7/16" Male
101785	--- Adapter, HP, 7/16" Female to 3/8" Male
128624	--- Service Date Sleeve
124570	--- Hose Protector, Aqua Lung, Black (New)
124573	--- Hose Protector, Aqua Lung, Yellow (New)
AP0480K	---Apeks Regulator Necklace
AP1461	--- Hose Protector, Apeks, Black (Std Hose)
AP1461Y	---Hose Protector, Apeks, Yellow (Std Hose)
AP7100	---Hose Protector, Apeks, Black (Flex Hose)
AP7100Y	---Hose Protector, Apeks, Yellow (Flex Hose)
AP6236	---Hose Protector, Apeks, Black (Flight)
AP6236Y	---Hose Protector, Apeks, Yellow (Flight)

## Replacement Silicone Mouthpieces

Part #	Description
109438	--- Comfo-bite, Black, XLC/Glacia/Titan LX/Legend/Kronos,Mikron
127826	--- Comfo-bite, Black, Small, Mikron
AP5324K	---Comfo-bite, Black, Apeks
104138	--- Black w/Bite Tabs, XLC/Glacia/Octo/Titan/Legend/Kronos/Mikron
105838	--- Comfo-bite, Clear, Micra Series
105848	--- Comfo-bite, Clear, Size SM, Micra/Conshelf 22/ SEA4/SE3
105831	--- Black w/Bite Tabs, LPO/Micra Series
105884	--- Comfo-bite, White, Conshelf XIV
105885	--- Comfo-bite, Black, Conshelf XIV
105889	--- White w/Bite Tabs, Conshelf XIV
105879	--- Black w/Bite Tabs, Conshelf XIV
109512	--- Lip Shield

## Regulator MP Hoses Apeks

Part #	Description
AP0203	--- Hose, MP, Primary, 1/2 x 30
AP0203/S	---Hose, MP, Primary, Satin, 1/2 x 30
AP0203/1	---Hose, MP, Primary, 3/8 x 30
AP0206	--- Hose, MP, Octopus, Yellow, 3/8 x 36
AP0198	--- Hose, MP, A'Flex, Primary, 3/8 x 30
AP0199	--- Hose, MP, A'Flex, Yellow, 3/8 x 36
AP0249	--- Service Kit, Swivel Hose
AP02031	---Hose, MP, 3/8 x 2 Meter (Tec 3)
AP0200	--- Hose, MP, Flex, Primary, 3/8 x 29 (Flight)
AP0201	--- Hose, MP, Flex, Yellow, 3/8 x 36 (Flight)

## Regulator MP Hoses Aqua Lung

Part #	Description
090015	---Hose, MP, Primary, 3/8 x 30
090025	---Hose, MP, Octopus, 3/8 x 39
APF124563	---Hose, MP, Primary, 3/8 x 30 w/Protector
APF124565	---Hose, MP, Primary, 1/2 x 30 w/Protector
APF124566	---Hose, MP, Octopus, 3/8 x 39 w/Protector, Yellow
129343	--- Hose, MP, w/Heat x, Primary, 3/8 x 30
129352	--- Hose, MP, w/Heat x, Primary Octo, 3/8 x 36, Yellow
125932	--- Hose, MP, Mistral 630mm
125934	--- Hose, MP, Mistral 245mm
129861	--- Hose, MP, Aquaflex, 3/8 x 30 Black
129862	--- Hose, MP, Aquaflex, 3/8 x 39 Yellow
128619	--- Hose, MP, w/QD, 3/8 x 30 Black (New Titan/Calypso)
128620	--- Hose, MP, w/QD, 3/8 x 39 Yellow (New Titan/Calypso)

## Air Source Hi-Flow MP Inflator Hoses

Part #	Description
25455	--- 3/8 x 27, Airsource 2/3 w/quick disconnect
15191	--- 3/8 x 25, Airsource 3 w/shut-off valve
42639	--- O-ring kit, Air Source Quick Disconnect

## BC MP Inflator Hoses

Part #	Description	Part #	Description
44822	--- 3/8 x 22	44825	--- 3/8 x 25
44827	--- 3/8 x 27	44833	--- 3/8 x 33
44836	--- 3/8 x 36	44840	--- 3/8 x 40

## HP Hose

Part #	Description
102023	--- Hose, HP, 7/16 x 38 Suunto
AP7610	---Hose, HP, 7/16 x 800mm, Apeks

## DIN Adapters Aqua Lung

Part #	Description
129227	---DIN Conversion Kit, Legend ACD
127865	---DIN Adapter, Mikron-2010
128545	---DIN Adapter, Titan-2010
127685	---DIN Adapter, Kronos ACD
103172	---DIN Adapter, Titan/Mistral
107455	---DIN Adapter, SE3/SE2/Conshelf14
128142	---DIN Adapter, Titan LX ACD
125237	---DIN to Yoke Converter

## DIN Adapters Apeks

Part #	Description
AP0620	--- DIN Adapter, Comolded Handwheel
AP0211	--- DIN Adapter, Chrome
AP0211/S	---DIN Adapter, Satin
AP0371	---DIN Adapter, Flight
AP0195	---DIN to Yoke Converter

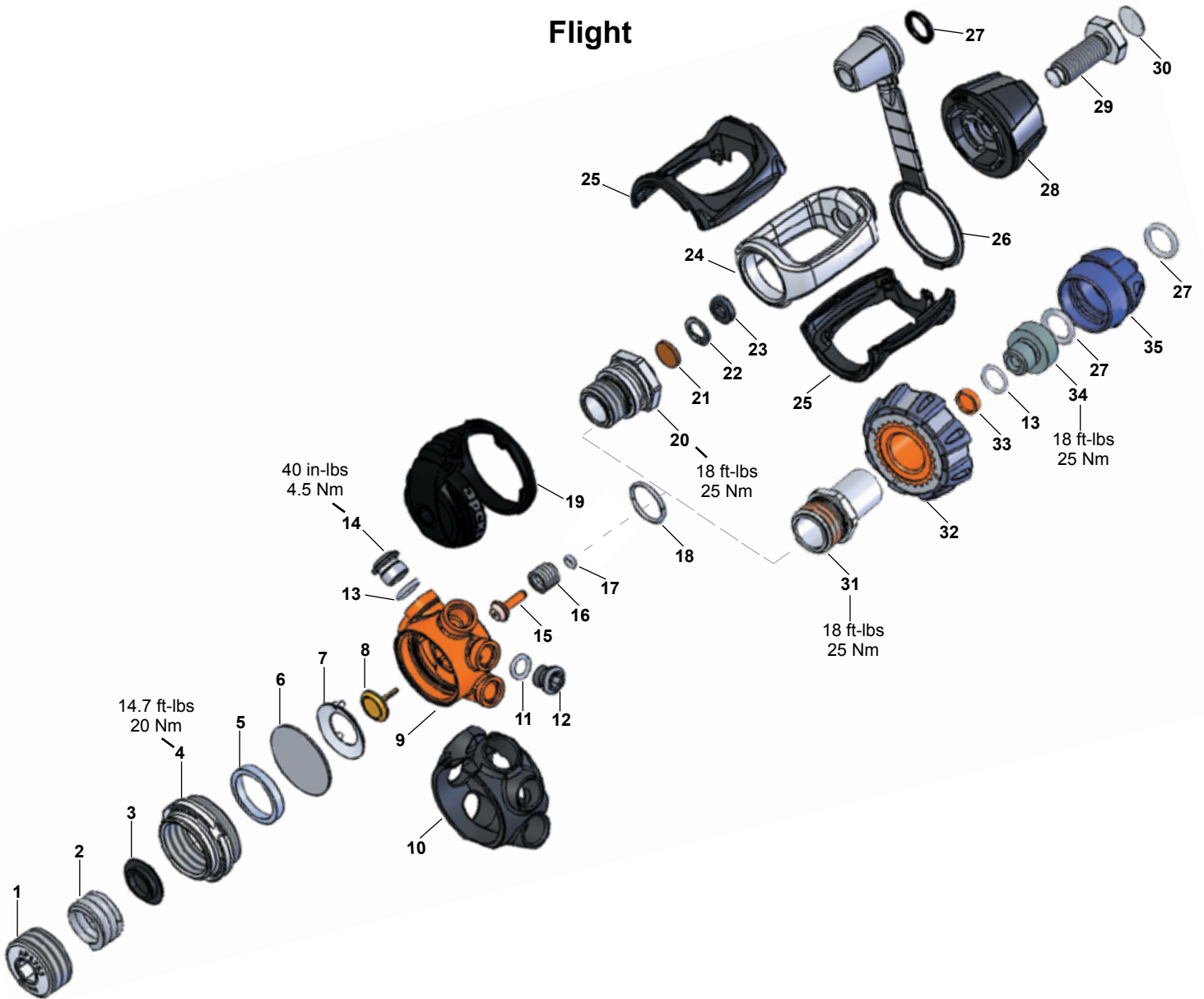
## Regulator Service Kits

Part #	Description
900000	--- Cousteau/SEA/Spectrum, First Stage
900001	--- Titan/Conshelf, First Stage
900002	--- Calypso/Aquarius/Mirage, First Stage
900014	--- Mikron/Legend non-ACD, First Stage
900017	--- Legend ACD, First Stage
900018	--- Kronos/Titan LX, First Stage
900015	--- Calypso '04, First Stage
900009	--- Impulse/Impulse Cryo/XR2, Second Stage
900003	--- Micra ADJ/Micra RH, Second Stage
900004	--- Micra LH/AirMic, Second Stage
900010	--- Titan/Calypso/XLC/ABS/LPO/Glacia, Second Stage
900012	--- Legend/Titan LX, Kronos, Mikron, Second Stage
900013	--- Conshelf, Second Stage
900016	--- Mistral (complete)
900021	--- Airsource III
42608	--- Air Source II
42628	--- Sea Quest XL, Second Stage
42631	--- Pioneer/SQ Century, Yoke and DIN (oil not incl.)
42626	--- SQ Infinity
AP0241/AA	--- Apeks Diaphragm First Stages
AP0219/AA	--- Apeks Second Stages
AP0227/AA	--- Apeks Status First Stages
AP0250	--- Apeks Flight First Stage

## Inflator and Cylinder Valve Service Kits

Part #	Description
900020	--- i3 Inflator
42747	--- Powerline with Dual Valve
5240-KIT	--- K or Z Valve, Thermo, 3000 psi

# Flight



Key #	Part #	Description
-------	--------	-------------

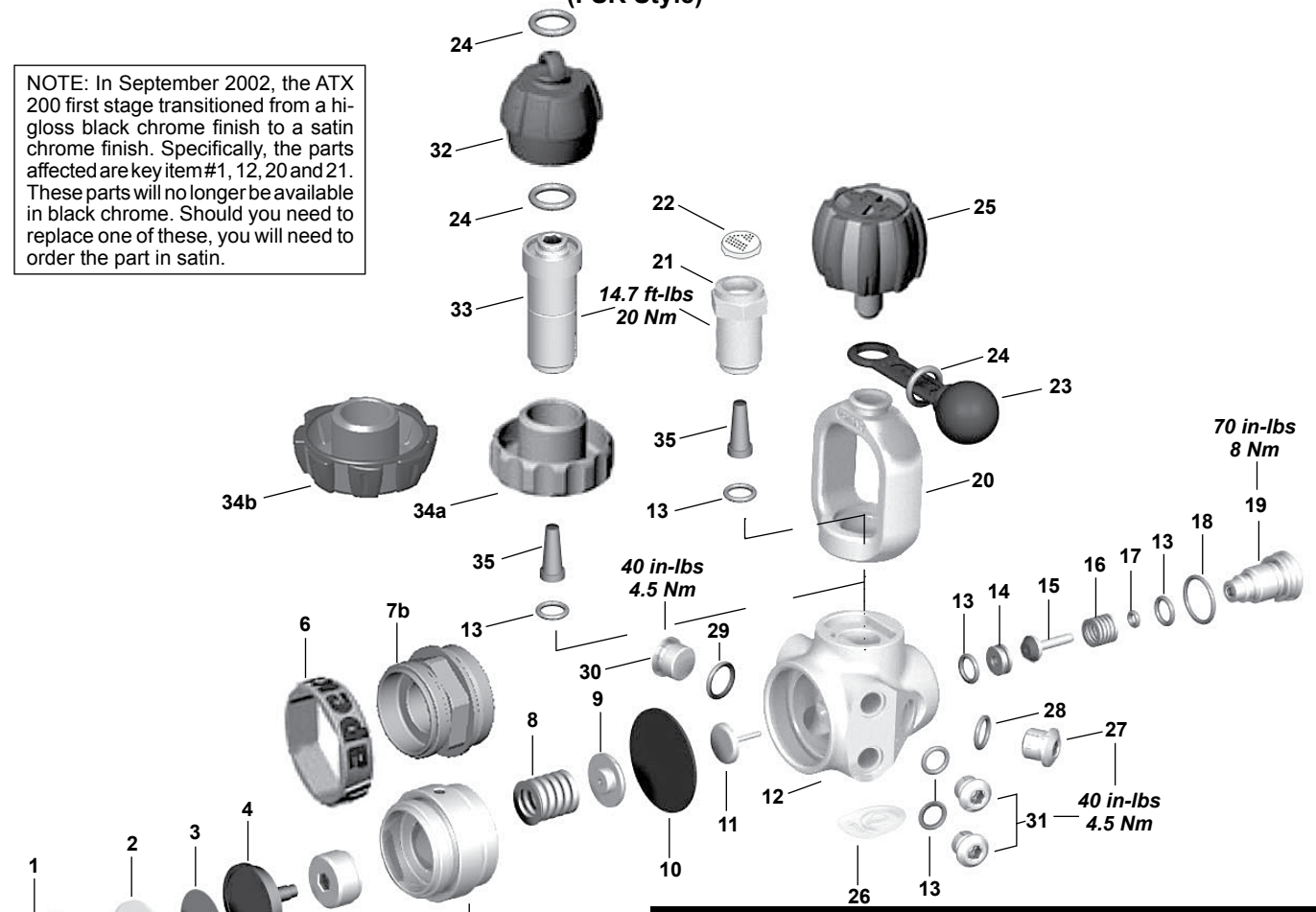
- AP0810 Flight, First Stage only, w/Yoke, Pewter
- AP08101 Flight, First Stage only, DIN, Pewter
- AP0810G Flight, First Stage only, w/Yoke, Green
- AP08101G Flight, First Stage only, DIN, Green
- AP0810P Flight, First Stage only, w/Yoke, Pink
- AP08101P Flight, First Stage only, DIN, Pink
- **AP0250** **Service Kit, Flight First Stage**
- AP0371 DIN Connector
- 1 ---- AP5753 Spring Adjuster
- 2 ---- AP5754 MP Spring
- 3 ---- AP5755 Spring Carrier
- 4 ---- AP5752 Diaphragm Clamp, Composite
- 5 ---- AP5719 Rubber Ring
- 6 ---- AP5756 Diaphragm**
- 7 ---- AP5757 Splitter
- 8 ---- AP5717 Valve Lifter
- 9 ---- AP5758 Body
- 10 ---- AP5751 Jacket, Pewter
- AP5751G Jacket, Green
- AP5751P Jacket, Pink
- 11 ---- AP1409P O-ring (10 pk)**
- 12 ---- AP1408 Blanking Plug, 3/8" MP Port

Key #	Part #	Description
-------	--------	-------------

- 13 ---- AP1445P O-ring (10 pk)**
- 14 ---- AP1413 Blanking Plug, 7/16" HP Port
- 15 ---- AP5759 HP Valve**
- 16 ---- AP1415 Spring
- 17 ---- AP1299P O-ring (10 pk)**
- 18 ---- AP1298P O-ring (10 pk)**
- 19 ---- AP5750 Hood
- 20 ---- AP0168 Yoke Connector
- 21 ---- AP5769 Filter, Yoke**
- 22 ---- AP5768 Circlip
- 23 ---- AP5695 Plastic Clip
- 24 ---- AP5766 Yoke Clamp
- 25 ---- AP5767 Yoke Cover
- 26 ---- AP5714 Dust Cap
- 27 ---- AP1166P O-ring (10 pk)**
- 28 ---- AP5716 Yoke Knob
- 29 ---- AP5713 Handwheel Hex Axle
- 30 ---- AP5770 Decal
- 31 ---- AP0163 DIN Connector
- 32 ---- AP6201 DIN Handwheel
- 33 ---- AP5763 Filter, DIN**
- 34 ---- AP5764 DIN Bolt
- 35 ---- AP6202 Dust Cap

**XTX 200 Tungsten • XTX 200 • ATX 200 Tungsten • ATX 200 (FSR Style)**

NOTE: In September 2002, the ATX 200 first stage transitioned from a hi-gloss black chrome finish to a satin chrome finish. Specifically, the parts affected are key item #1, 12, 20 and 21. These parts will no longer be available in black chrome. Should you need to replace one of these, you will need to order the part in satin.

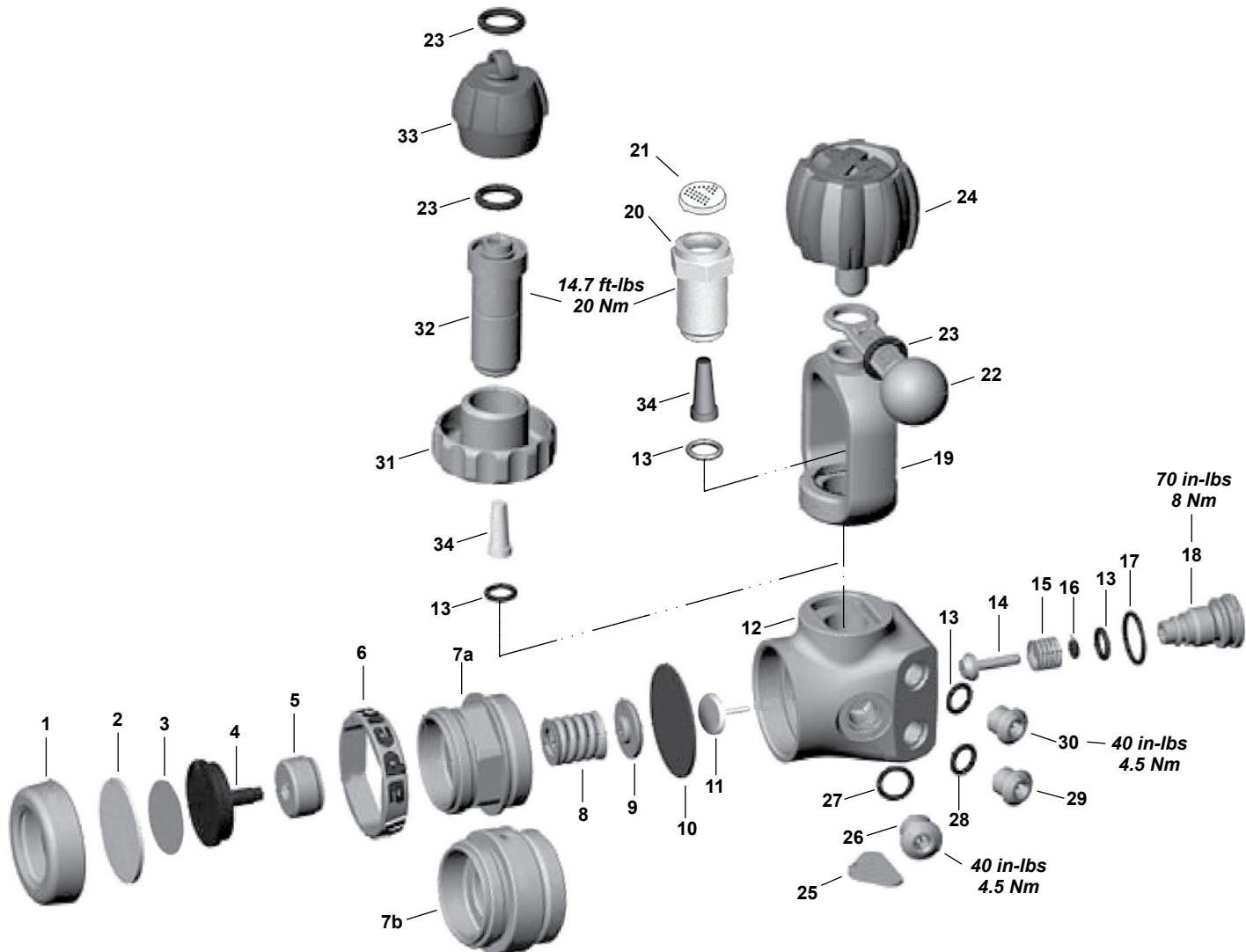


Key #	Part #	Description
----	AP5101PVDS	Body, FSR, Tungsten, XTX
----	AP5720PVDS	Body, FSR, Tungsten, ATX
<b>13</b> ----	<b>AP1409P</b>	<b>O-ring (10 pk)</b>
14----	AP5721	Removable HP Valve Seat (Crown)
<b>15</b> ----	<b>AP1419</b>	<b>HP Valve</b>
16----	AP1415	Spring
<b>17</b> ----	<b>AP1299P</b>	<b>O-ring (10 pk)</b>
<b>18</b> ----	<b>AP1300P</b>	<b>O-ring (10 pk)</b>
19----	AP5309	HP Balance Plug, ATX
----	AP5309B	HP Balance Plug, XTX, Tungsten
20----	AP1403/S	Yoke Clamp, Satin, ATX
----	AP1403	Yoke Clamp, XTX
----	AP1403PVDS	Yoke Clamp, PVD, Tungsten
21----	AP1407/S	Yoke Clamp Connector, Satin, ATX
----	AP1407	Yoke Clamp Connector, XTX, Tungsten
<b>22</b> ----	<b>AP1406/1</b>	<b>Filter Guard</b>
23----	AP1404	Protective Cap
<b>24</b> ----	<b>AP1166P</b>	<b>O-ring (10 pk)</b>
25----	AP1402	Yoke Clamp Screw
26----	AP5723	Decal, Body, XTX 200, ATX 200
----	AP5739	Decal, Body, ATX, Tungsten
----	AP6239	Decal, Body, XTX, Tungsten
27----	AP1413	7/16" Blanking Plug
<b>28</b> ----	<b>AP1445P</b>	<b>O-ring (10 pk)</b>
<b>29</b> ----	<b>AP1410P</b>	<b>O-ring, ATX (10 pk)</b>
30----	AP1487	1/2" Blanking Plug, ATX
31----	AP1408	3/8" Blanking Plug
32----	AP6202	Protective Cap, DIN
33----	AP1471/S	Handwheel Connector, Satin, ATX
----	AP1471	Handwheel Connector, XTX, Tungsten
34a----	AP1470/S	Handwheel, 300 Bar, Satin, ATX
34b----	AP6201	Handwheel, 300 Bar, XTX, Tungsten
<b>35</b> ----	<b>AP1472</b>	<b>Conical Filter</b>

Key #	Part #	Description
----	AP0363	XTX200, First Stage only, w/Yoke
----	AP03631	XTX200, First Stage only, w/DIN
----	AA0210	ATX200, First Stage only, w/Yoke
----	AA0210-1	ATX200, First Stage only, w/DIN
----	<b>AP0241/AA</b>	<b>Service Kit, Diaphragm First Stage</b>
----	AP0211/S	DIN Connector, Satin, ATX
----	AP0620	DIN Connector, Comolded, Tungsten, XTX
1----	AP1484/S	Environmental End Cap, Satin, ATX
----	AP1484	Environmental End Cap, XTX
----	AP1484PVDS	Environmental End Cap, PVD, Tungsten
<b>2</b> ----	<b>AP1482</b>	<b>Hydrostatic Diaphragm, ATX</b>
----	AP14821	Hydrostatic Diaphragm, XTX, ATX Tungsten
----	AP1482T	Hydrostatic Diaphragm, XTX Tungsten
3----	AP5724	Decal, ATX
4----	AP1483	Hydrostatic Transmitter
5----	AP1474	Spring Adjuster
6----	AP5725	Molded Logo Ring, XTX
7a----	AP1473	Diaphragm Clamp, Satin, ATX
7b----	AP14731	Diaphragm Clamp, XTX
8----	AP1475	Spring
9----	AP1476	Spring Carrier
<b>10</b> ----	<b>AP1478</b>	<b>Diaphragm</b>
11----	AP5722	Valve Lifter
12----	AP5101	Body, FSR, 3/8" MP Port, XTX

Part numbers in **BOLD ITALICS** indicate standard overhaul replacement part.

**XTX 100 • ATX 100**  
(FST Style)



**Key # Part # Description**

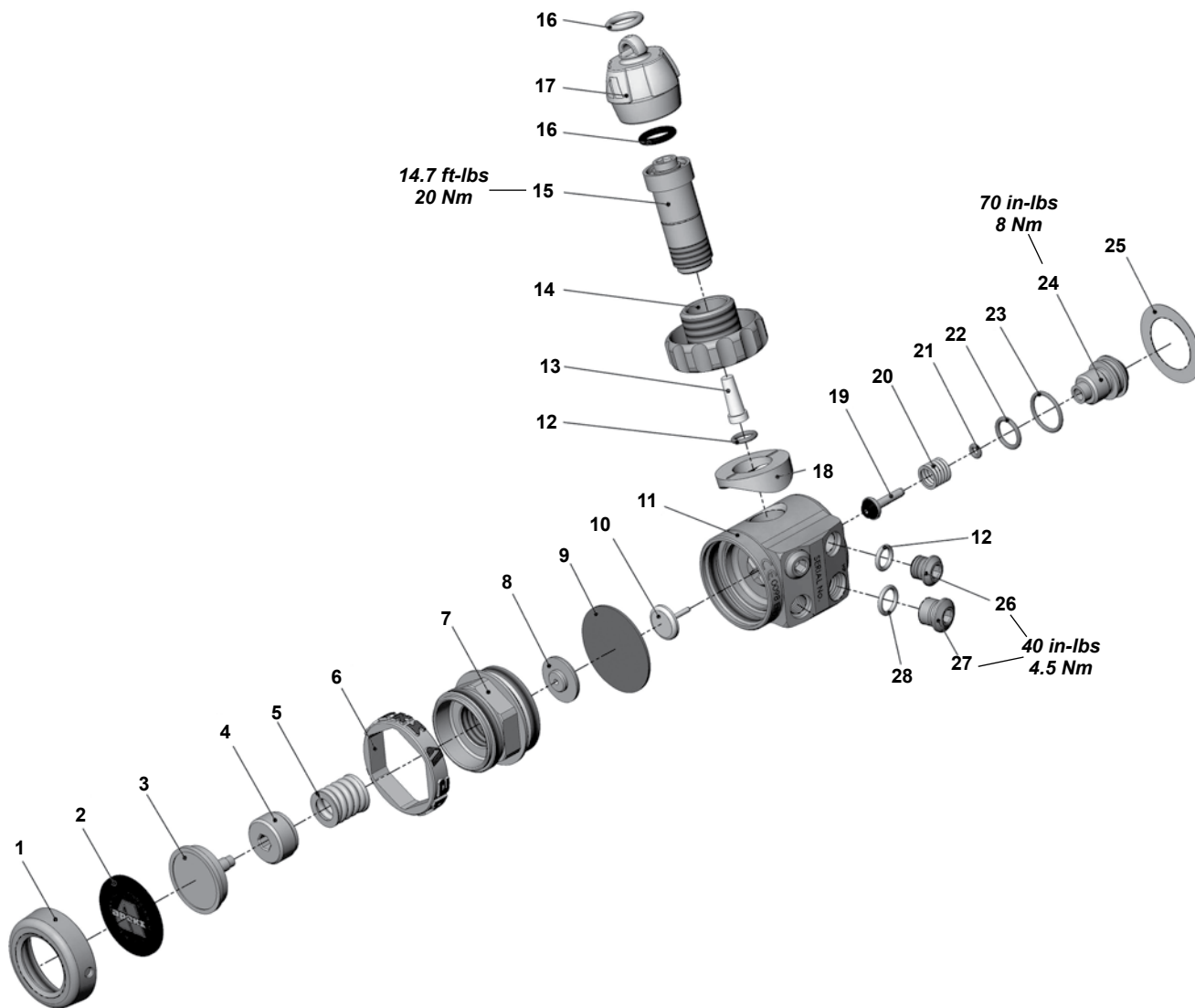
**Key # Part # Description**

- AP0362 XTX100, First Stage only, w/Yoke
- **AP0241/AA** **Service Kit, Diaphragm First Stage**
- AP0211/S DIN Connector
- 1---- AP1484/S Environmental End CAP
- 2---- AP14821 Hydrostatic Diaphragm, XTX
- **AP1482** **Hydrostatic Diaphragm, ATX**
- 3---- AP1477 Environmental Decal, ATX
- 4---- AP1483 Hydrostatic Transmitter
- 5---- AP1474 Spring Adjuster
- 6---- AP5725 Molded Logo Ring, XTX
- 7a---- AP14731 Diaphragm Clamp, XTX
- 7b---- AP1473 Diaphragm Clamp, ATX
- 8---- AP1475 Spring
- 9---- AP1476 Spring Carrier
- 10---- AP1478** **Diaphragm**
- 11---- AP1479 Valve Lifter
- 12---- AP5102 Body, FST, 3/8" MP Port, XTX
- AP5300/S Body, FST, 1/2" MP Port, ATX
- 13---- AP1409P** **O-ring (10 pk)**
- 14---- AP1419** **HP Valve**
- 15---- AP1415 Spring

- 16---- AP1299P** **O-ring (10 pk)**
- 17---- AP1300P** **O-ring (10 pk)**
- 18---- AP5309 HP Balance Plug
- 19---- AP1403/S Yoke Clamp
- 20---- AP1407/S Yoke Clamp Connector
- 21---- AP1406/1** **Filter Guard**
- 22---- AP1404 Protective CAP
- 23---- AP1166P** **O-ring (10 pk)**
- 24---- AP1402 Yoke Clamp Screw, Comolded
- 25---- AP5014 Decal
- 26---- AP1413 7/16" UNF Blanking Plug
- 27---- AP1445P** **O-ring (10 pk)**
- 28---- AP1410P** **O-ring, ATX (10 pk)**
- 29---- AP1487 1/2" UNF Blanking Plug, ATX
- 30---- AP1408 3/8" UNF Blanking Plug
- 31---- AP1470/S Handwheel 300 bar
- 32---- AP1471/S Handwheel Connector
- 33---- AP6202 Protective DIN CAP
- 34---- AP1472** **Conical Filter**

Part numbers in **BOLD ITALICS** indicate standard overhaul replacement part.

### TEK 3



Key #	Part #	Description
-------	--------	-------------

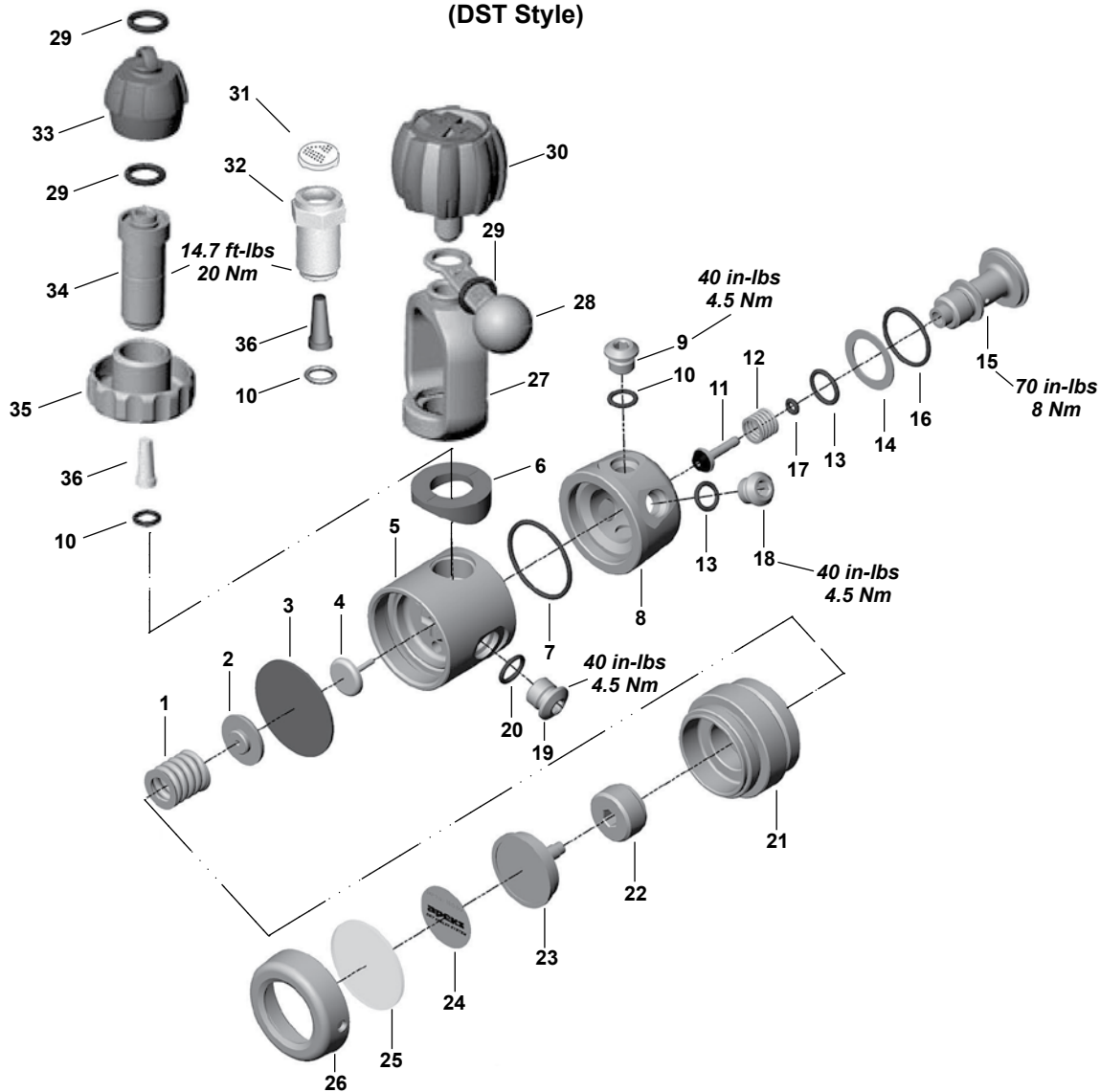
----	AP0367-1	TEK3 First Stage Set
----	<b>AP0241/AA</b>	<b>Service Kit, Diaphragm First Stage</b>
----	AP0211	DIN Connector
1----	AP1484	Environmental End Cap
2----	AP14821	Hydrostatic Diaphragm
3----	AP1483	Hydrostatic Transmitter
4----	AP1474	Spring Adjuster
5----	AP1475	Spring
6----	AP5725	Molded Logo Ring
7----	AP14731	Diaphragm Clamp
8----	AP1476	Spring Carrier
9----	<b>AP1478</b>	<b>Diaphragm</b>
10----	AP1479	Valve Lifter
11----	AP5104	TEK3 LH Valve Body
----	AP5105	TEK3 RH Valve Body
12----	<b>AP1409P</b>	<b>O-ring (10 pk)</b>
13----	<b>AP1472</b>	<b>Conical Filter</b>
14----	AP1470	DIN Handwheel
15----	AP1471	Handwheel Connector

Key #	Part #	Description
-------	--------	-------------

16----	<b>AP1166P</b>	<b>O-ring (10 pk)</b>
17----	AP6202	DIN Protective Cap
18----	AP1446	Distance Piece
19----	<b>AP1419</b>	<b>HP Valve</b>
20----	AP1415	Spring
21----	<b>AP1299P</b>	<b>O-ring (10 pk)</b>
22----	<b>AP1410P</b>	<b>O-ring (10 pk)</b>
23----	<b>AP1300P</b>	<b>O-ring (10 pk)</b>
24----	AP5202	HP Balance Plug
25----	AP5106	TEK3 Decal
26----	AP1408	3/8" UNF Blanking Plug
27----	AP1413	7/16" UNF Blanking Plug
28----	<b>AP1445P</b>	<b>O-ring (10 pk)</b>

Part numbers in **BOLD ITALICS** indicate standard overhaul replacement part.

**XTX 50 • ATX 50 • TX 50 • XTX 40 • ATX 40**  
(DST Style)

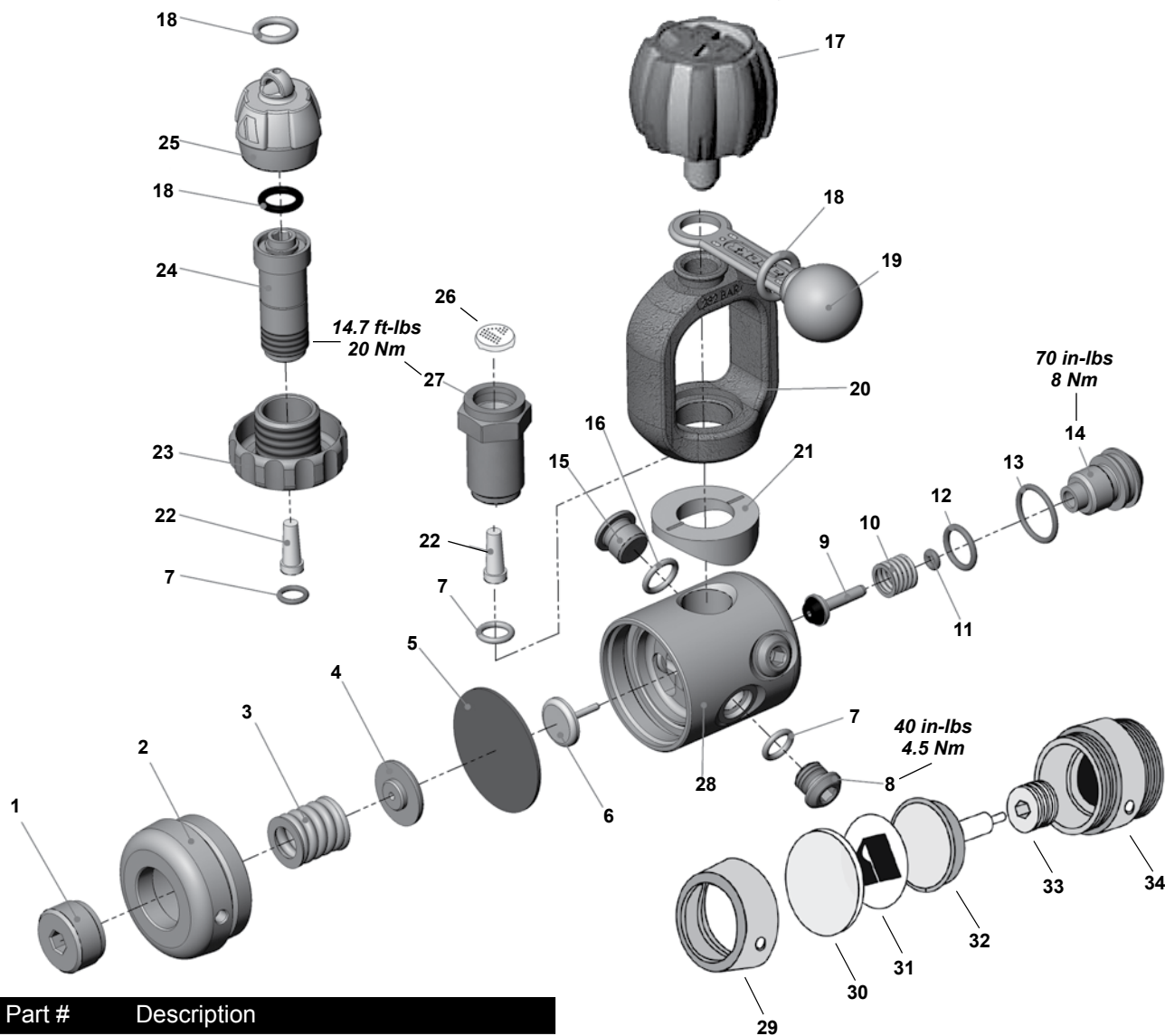


Key #	Part #	Description
-----	AP0361	XTX50, First Stage only, w/Yoke
-----	AP03611	XTX50, First Stage only, w/DIN
-----	<b>AP0241/AA</b>	<b>Service Kit, Diaphragm First Stage</b>
-----	AP0274	5-Port Turret Upgrade Kit
-----	AP0211	Din Connector
1----	AP1475	Spring
2----	AP1476	Spring Carrier
<b>3----</b>	<b>AP1478</b>	<b>Diaphragm</b>
4----	AP1479	Valve Lifter
5----	AP1480	Body
6----	AP1446	Distance Piece
<b>7----</b>	<b>AP1420P</b>	<b>O-ring (10 pk)</b>
8a----	AP5103	Turret with 3/8" MP Port, XTX
8b----	AP1481	Turret with 1/2" MP Port, ATX/TX
9----	AP1408	Blanking Plug 3/8"
<b>10----</b>	<b>AP1409P</b>	<b>O-ring (10 pk)</b>
<b>11----</b>	<b>AP1419</b>	<b>HP Valve</b>
12----	AP1415	Spring
<b>13----</b>	<b>AP1410P</b>	<b>O-ring (10 pk)</b>
14----	AP1414	Thrust Washer
15----	AP1486	Turret Retaining Bolt
<b>16----</b>	<b>AP1438P</b>	<b>O-ring (10 pk)</b>
<b>17----</b>	<b>AP1299P</b>	<b>O-ring (10 pk)</b>

Key #	Part #	Description
18----	AP1487	Blanking Plug 1/2", ATX, TX
19----	AP1413	Blanking Plug 7/16"
<b>20----</b>	<b>AP1445P</b>	<b>O-ring (10 pk)</b>
21----	AP1473	Diaphragm Clamp
22----	AP1474	Spring Adjuster
23----	AP1483	Hydrostatic Transmitter
24----	AP1477	Decal
<b>25----</b>	<b>AP1482</b>	<b>Hydrostatic Diaphragm</b>
26----	AP1484	Environmental End Cap
27----	AP1403	Yoke Clamp
28----	AP1404	Protective Cap
<b>29----</b>	<b>AP1166P</b>	<b>O-ring (10 pk)</b>
30----	AP1402	Yoke Clamp Screw, Comolded
<b>31----</b>	<b>AP1406/1</b>	<b>Filter Guard</b>
32----	AP1407	Yoke Clamp Connector
33----	AP6202	Protective Cap DIN
34----	AP1471	Handwheel Connector
35----	AP1470	Handwheel 300 Bar
<b>36----</b>	<b>AP1472</b>	<b>Conical Filter</b>

Part numbers in **BOLD ITALICS** indicate standard overhaul replacement part.

**XTX20 • AT20 • DS4**  
(US4 & DS4 Style)



**Key # Part # Description**

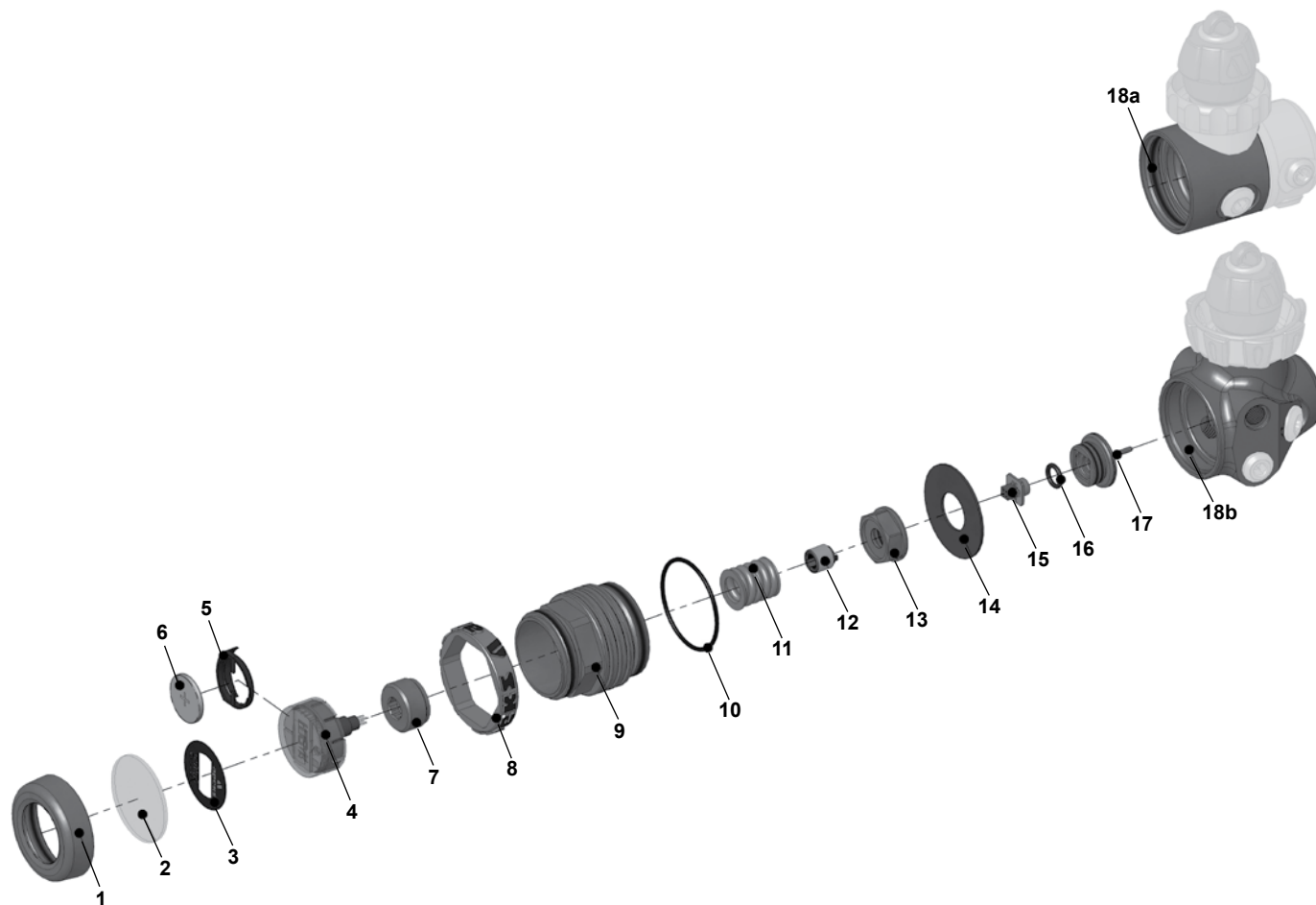
-----	AP0527	DS4 First Stage, Yoke, Dry Kit
-----	AP0528	DS4 First Stage, DIN, Dry Kit
-----	AP0517	US4 First Stage, Yoke, w/o Dry Kit
-----	<b>AP0241/AA</b>	<b>Service Kit, Diaphragm First Stages</b>
-----	AP0211	DIN Connector
1----	AP14741	Spring Adjuster
2----	AP1485	Diaphragm Cap
3----	AP1475	Spring
4----	AP1476	Spring Carrier
5----	<b>AP1478</b>	<b>Diaphragm</b>
6----	AP1479	Valve Lifter
7----	<b>AP1409P</b>	<b>O-ring (10 pk)</b>
8----	AP1408	3/8" UNF Blanking Plug
9----	<b>AP1419</b>	<b>HP Valve</b>
10----	AP1415	Spring
11----	<b>AP1299P</b>	<b>O-ring (10 pk)</b>
12----	<b>AP1410P</b>	<b>O-ring (10 pk)</b>
13----	<b>AP1300P</b>	<b>O-ring (10 pk)</b>
14----	AP5202	HP Balance Plug
15----	AP1413	7/16" UNF Blanking Plug
16----	<b>AP1445P</b>	<b>O-ring (10 pk)</b>
17----	AP1402	Yoke Clamp Screw, Comolded

**Key # Part # Description**

18----	<b>AP1166P</b>	<b>O-ring (10 pk)</b>
19----	AP1404	Protective Cap
20----	AP1403	Yoke Clamp
21----	AP1446	Distance Piece
-----	AP1446G	Distance Piece, Nitrox, Green
22----	<b>AP1472</b>	<b>Conical Filter</b>
23----	AP1470	Handwheel 300 Bar
24----	AP1471	Handwheel Connector
25----	AP6202	DIN Protective Cap
26----	<b>AP1406/1</b>	<b>Filter Guard</b>
27----	AP1407	Yoke Clamp Connector
28----	AP5201	Body
29----	AP1484	Environmental Cap
30----	<b>AP1482</b>	<b>Hydrostatic Diaphragm</b>
31----	AP1477	1st Stage Decal
-----	AP14771	1st Stage Decal, Nitrox
32----	AP1483	Hydrostatic Transmitter
33----	AP1474	Spring Adjuster
34----	AP1473	Diaphragm Clamp, DS4

Part numbers in **BOLD ITALICS** indicate standard overhaul replacement part.

## Status (discontinued)

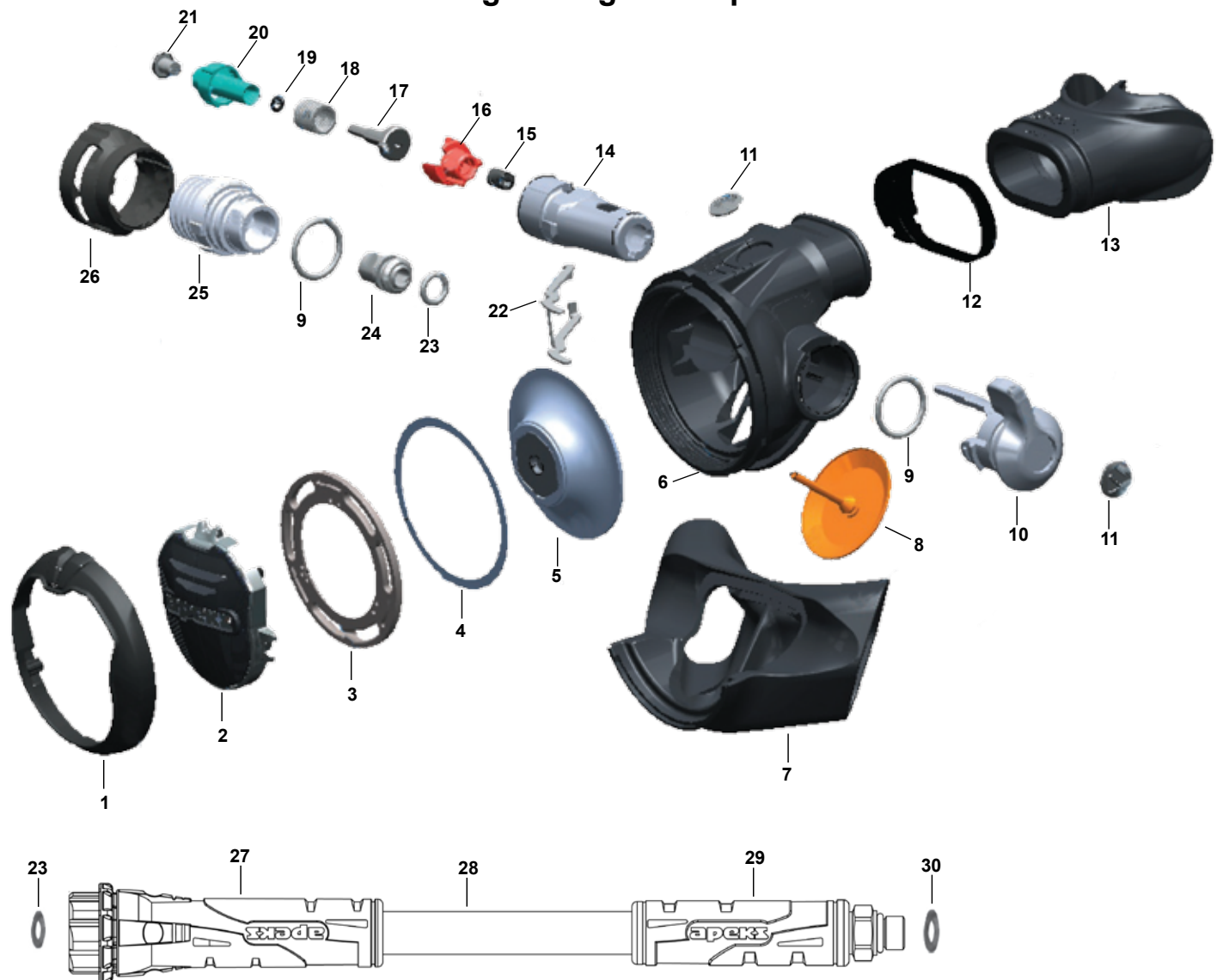


Key #	Part #	Description
-----	<b>AP0227/AA</b>	<b>Service Kit, Status First Stage</b>
-----	AP0228	Electronic Replacement Kit (Includes 3, 4, 6, 15)
1----	AP1484	Environmental End Cap
<b>2----</b>	<b>AP1482</b>	<b>Hydrostatic Diaphragm</b>
3----	AP7510	Status Decal
4----	N/A	Main Electronic Unit
5----	AP7518	Battery Carrier
<b>6----</b>	<b>103105</b>	<b>CR2025 Battery, Coin Cell, Lithium</b>
7----	AP7508	Spring Adjuster
8----	AP5725	Logo Ring
9----	AP7507	Diaphragm Clamp
<b>10----</b>	<b>AP7520</b>	<b>O-ring</b>
11----	AP1475	Spring

Key #	Part #	Description
12----	AP7506	Location Plug
13----	AP7505	Clamping Nut
<b>14----</b>	<b>AP7501</b>	<b>Diaphragm Ring</b>
15----	N/A	Pressure Sensor
<b>16----</b>	<b>AP7502</b>	<b>O-ring</b>
17----	AP7512	Status Valve Lifter (XTX 50)
-----	AP7500	Status Valve Lifter (XTX 200)
18a---	AP1480	XTX50 Body (DST Style)
18b---	AP5101	XTX200 Body (FSR Style)

Part numbers in **BOLD ITALICS** indicate standard overhaul replacement part.

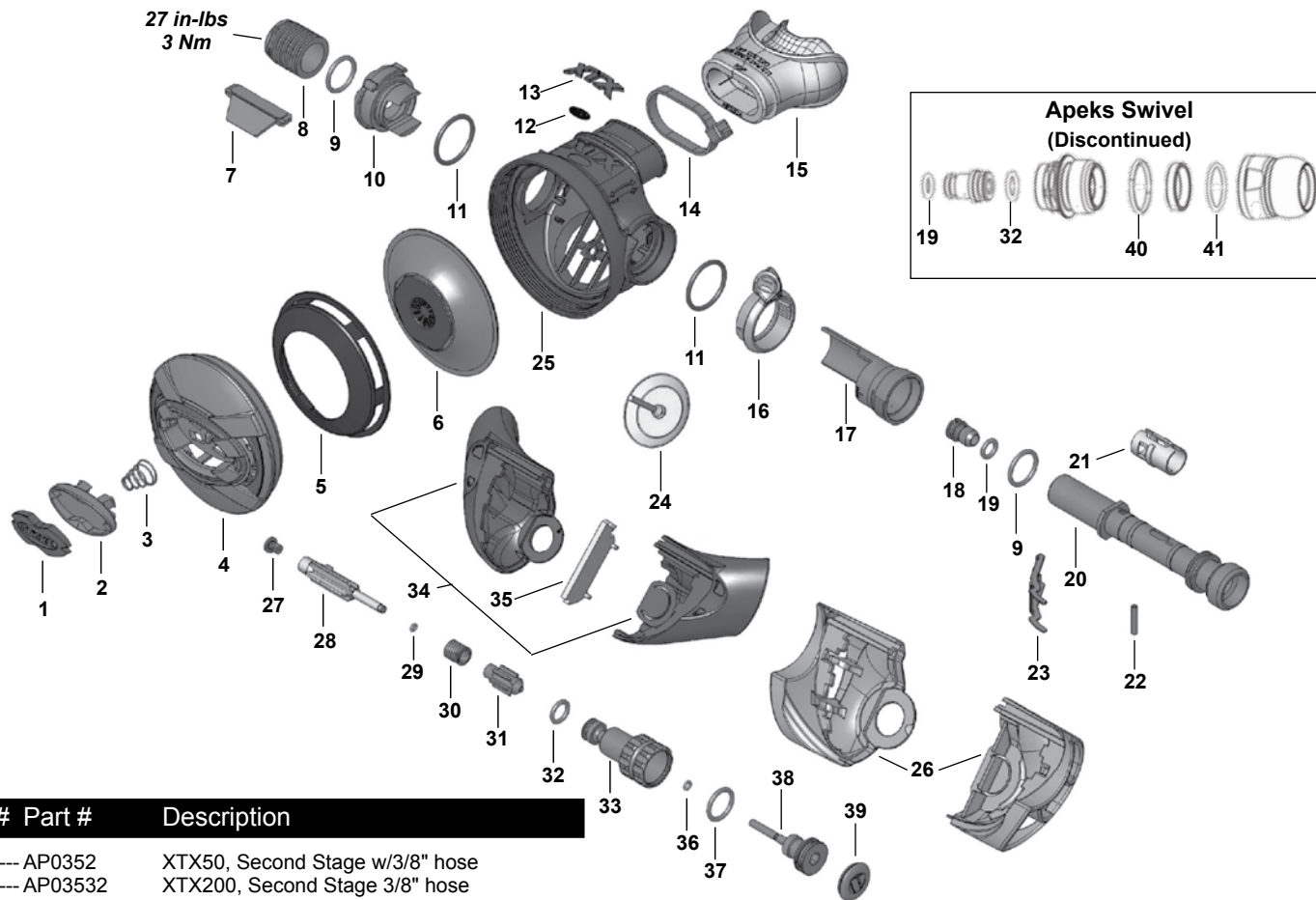
## Flight • Flight Octopus



Key #	Part #	Description	Key #	Part #	Description
----	AP0811	Flight, Second Stage only, Pewter	12	129154	Mouthpiece Clamp
----	AP0811G	Flight, Second Stage only, Green	13	AP5324K	Mouthpiece, Comfobite
----	AP0811P	Flight, Second Stage only, Pink	-----	104138	Mouthpiece, Standard, Octopus
----	<b>AP0219/AA</b>	<b>Universal Second Stage Repair Kit</b>	14	AP7581	Spindle Body
1	AP7589	Purge Clamp Ring (for Pewter Model)	15	AP7570	Micro Adjuster Screw
----	AP7589F	Purge Clamp Ring (for Pink Model)	16	AP7582	Spindle Adjuster Sleeve
----	AP7589G	Purge Clamp Ring (Green)	17	AP7584	Spring Carrier
----	AP7589Y	Purge Clamp Ring (Yellow)	18	AP2021	Spring
2	AP0175M	Front Cover Assembly (for Pewter/Octo)	<b>19</b>	<b>AP5711P</b>	<b>O-ring (10 pk)</b>
----	AP0175T	Front Cover Assembly (for Green Model)	20	AP5707	Shuttle Valve
----	AP0175F	Front Cover Assembly (for Pink Model)	<b>21</b>	<b>AP2034</b>	<b>MP Seat</b>
3	AP7577	Inner Locking Ring	22	AP2035	Lever
4	AP7592	Friction Ring	<b>23</b>	<b>AP1154P</b>	<b>O-ring (10 pk)</b>
5	AP100181	Diaphragm	24	AP7563	Seat
6	AP7590	Case	25	AP7586	Inlet Fitting
7	AP7578	Exhaust Tee	26	AP7595	Locking Slide Ring
8	AP6223	Exhaust Valve	27	AP6236	Hose Protector, Black
<b>9</b>	<b>AP1267P</b>	<b>O-ring (10 pk)</b>	-----	AP6236Y	Hose Protector, Yellow
10	AP7579	Venturi Lever	28	AP0200	Hose, Flex, 3/8" X 29" Black, w/Hose Protectors
11	AP7596B	Insert Logo (Black)	-----	AP0201	Hose, Flex, 3/8" X 36" Yellow, w/Hose Protectors
----	AP7596P	Insert Logo (Pink)	29	AP7100	Hose Protector, Black (for Flex Hose)
----	AP7596G	Insert Logo (Green)	-----	AP7100Y	Hose Protector, Yellow (for Flex Hose)
----	AP7596Y	Insert Logo (Yellow)	<b>30</b>	<b>AP1409P</b>	<b>O-ring (10 pk)</b>

Part numbers in **BOLD ITALICS** indicate standard overhaul replacement part.

**XTX200 • XTX Tungsten • XTX100 • XTX50 • XTX50 Octopus**



**Key # Part # Description**

-----	AP0352	XTX50, Second Stage w/3/8" hose
-----	AP03532	XTX200, Second Stage 3/8" hose
-----	<b>AP0219/AA</b>	<b>Universal Second Stage Repair Kit</b>
-----	<b>AP0249</b>	<b>Service Kit, Swivel Hose</b>
1 ----	AP6224	Decal
2 ----	AP6214	Purge Button
-----	AP6214Y	Purge Button, Yellow
3 ----	AP6222	Spring
4 ----	AP6217	Case Cover, XTX200/XTX100
-----	AP6217PVDS	Case Cover, Tungsten
-----	AP6218	Case Cover, XTX50
-----	AP6218Y	Case Cover, Yellow
5 ----	AP5802	Diaphragm Cover
6 ----	AP5803	Diaphragm
7 ----	AP2037	Deflector
8 ----	AP5002	Heat Exchanger, XTX200/XTX50
-----	AP5013PVDS	Heat Exchanger, PVD, Tungsten
-----	AP5013/S	Heat Exchanger, XTX100
<b>9 ----</b>	<b>AP1267P</b>	<b>O-ring (10 pk)</b>
10 ----	AP6211	Blanking Piece
-----	AP6211Y	Blanking Piece, Yellow
<b>11 ----</b>	<b>AP1438P</b>	<b>O-ring (10 pk)</b>
12 ----	AP6225	Decal, XTX200
-----	AP6238	Decal, Tungsten
-----	AP6226	Decal, XTX100
-----	AP6227	Decal, XTX50
13 ----	AP6221B	XTX Decal, XTX200
-----	AP6221S	XTX Decal, XTX100
-----	AP6221GREY	XTX Decal, XTX50
-----	AP6221Y	XTX Decal, XTX50 Octopus
<b>14 ----</b>	<b>104913</b>	<b>Mouthpiece Clamp</b>
15 ----	AP5324K	Comfobite Mouthpiece
-----	104138	Mouthpiece, Standard, Octopus
16 ----	AP6212	Venturi Ring
-----	AP6212Y	Venturi Ring, Yellow
17 ----	AP6213	Venturi Lever Body
18 ----	AP2033	Seat

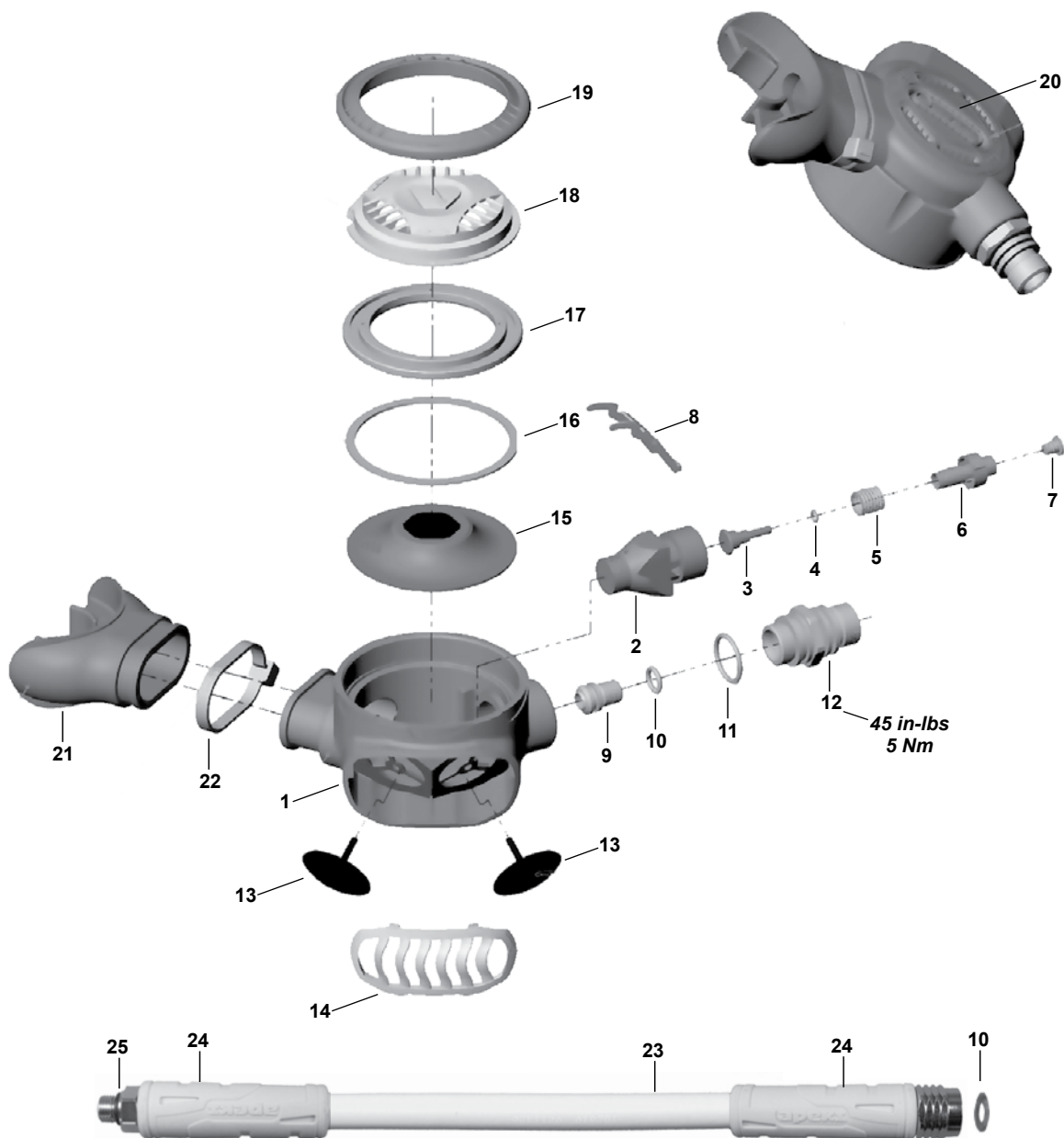
**Key # Part # Description**

<b>19 ----</b>	<b>AP1154P</b>	<b>O-ring (10 pk)</b>
20 ----	AP6216	Valve Spindle, XTX200/XTX50
-----	AP6216S	Valve Spindle, XTX100
21 ----	AP6215	Spindle Collar
22 ----	AP1151	Spring Pin
23 ----	AP2035	Lever
24 ----	AP6223	Exhaust Valve
25 ----	AP6210	Case
26 ----	AP6219K	Small Exhaust Tee, Set
<b>27 ----</b>	<b>AP2034</b>	<b>MP Seat</b>
28 ----	AP2036	Shuttle Valve
<b>29 ----</b>	<b>AP2041P</b>	<b>O-ring (10 pk)</b>
30 ----	AP2021	Spring
31 ----	AP2038	Counter Balance Cylinder
<b>32 ----</b>	<b>AP1409P</b>	<b>O-ring (10 pk)</b>
33 ----	AP6577	Adjusting Screw, XTX200/XTX50
-----	AP6577/S	Adjusting Screw, XTX100
-----	AP6577PVDS	Adjusting Screw, PVD, Tungsten
34 ----	AP6220K	Large Exhaust Tee, Set
35 ----	AP6230	Exhaust Rib
<b>36 ----</b>	<b>AP5711P</b>	<b>O-ring (10 pk)</b>
<b>37 ----</b>	<b>AP1159P</b>	<b>O-ring (10 pk)</b>
38 ----	AP6578	Spring Adjuster
39 ----	AP5830	Plug
<b>40 ----</b>	<b>AP1298P</b>	<b>O-ring, Swivel Hose (10 pk)</b>
<b>41 ----</b>	<b>AP1300P</b>	<b>O-ring, Swivel Hose (10 pk)</b>
<b>Hoses &amp; Hose O-rings (not shown)</b>		
N/S ---	AP0203/1	Hose, MP, 3/8" X 29"
N/S ---	AP0206	Hose, MP, Octopus, Yellow, 3/8" X 36"
N/S ---	AP1461	Hose Protector, Black (Std.Hose)
N/S ---	AP1461Y	Hose Protector, Yellow (Std.Hose)
N/S ---	<b>AP1409P</b>	<b>O-ring, Hose End, Male, (10 pk)</b>
N/S ---	<b>AP1154P</b>	<b>O-ring, Hose End, Swivel, (10 pk)</b>

Part numbers in **BOLD ITALICS** indicate standard overhaul replacement part.



## Egress

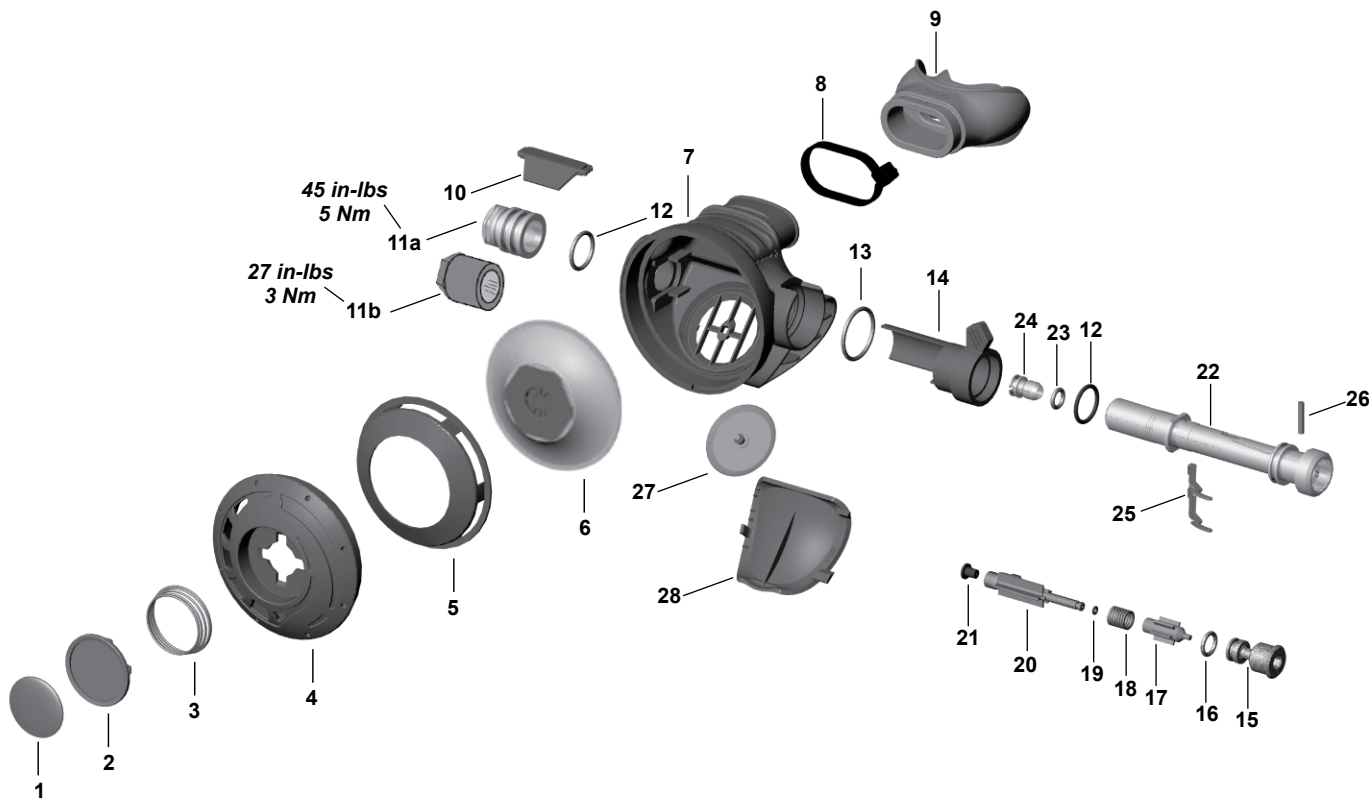


Key #	Part #	Description
----	<b>AP0219/AA</b>	<b>Universal Second Stage Repair Kit</b>
1----	AP7550	Egress Case
2----	AP7560	Egress Spindle Body
3----	AP7562	Egress Spring Carrier
4----	<b>AP5711P</b>	<b>O-ring (10 pk)</b>
5----	AP2021	Valve Spring
6----	AP5707	Egress Shuttle Valve
7----	<b>AP2034</b>	<b>MP Seat</b>
8----	AP2035	Lever
9----	AP7563	Egress Valve Seat
10----	<b>AP1154P</b>	<b>O-ring (10 pk)</b>
11----	<b>AP1267P</b>	<b>O-ring (10 pk)</b>
12----	AP7561	Egress Inlet Fitting
13----	100122	Exhaust Valve

Key #	Part #	Description
14----	AP7558	Egress Exhaust Gate
15----	AP7553	Egress Diaphragm
16----	AP7554	Egress Friction Ring
17----	116923	Inner Locking Ring
18----	AP7556	Egress Front Cover
19----	AP7557	Egress Front Locking Ring
20----	AP7551	Egress Decal
21----	104138	Mouthpiece
22----	<b>104913</b>	<b>Mouthpiece Clamp</b>
<b>Hose &amp; Hose O-rings (not shown)</b>		
23----	AP0206	Hose, MP, Octopus, Yellow, 3/8" X 36"
24----	AP1461Y	Hose Protector, Yellow (Std.Hose)
25----	<b>AP1409P</b>	<b>O-ring, Hose End, Male, (10 pk)</b>

Part numbers in **BOLD ITALICS** indicate standard overhaul replacement part.

**ATX40 • AT20 • ATX40 Octopus • AT20 Octopus**

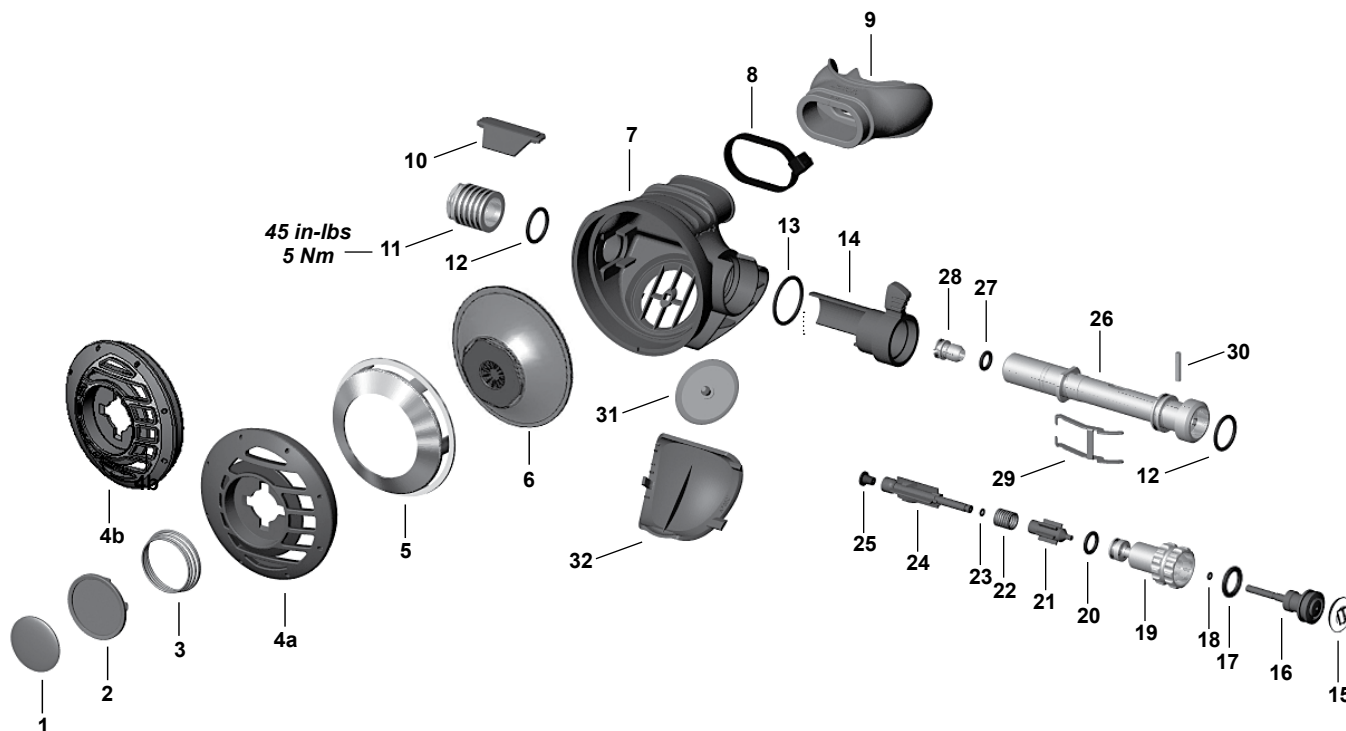


Key #	Part #	Description
----	AA0420	ATX40, Second Stage only, w/1/2" hose
----	AP0542C	AT20, Second Stage only, w/3/8" hose
----	<b>AP0219/AA</b>	<b>Universal Second Stage Repair Kit</b>
1----	AP5821	Decal, ATX40
----	AP5822	Decal, AT20
2----	AP5805	Purge Button
3----	AP2020	Spring
4----	AP5807	Case Cover
----	AP5807/Y	Case Cover, Yellow, Octopus
5----	AP5802	Diaphragm Cover
6----	AP5803	Diaphragm
7----	AP5800	Case
<b>8----</b>	<b>104913</b>	<b>Mouthpiece Clamp</b>
9----	AP5324K	Mouthpiece, Comfobite
----	104138	Mouthpiece, Standard, Octopus
10----	AP2037	Deflector
11a----	AP5002	Heat Exchanger, ATX40
11b----	AP5003	Spacer, AT20
<b>12----</b>	<b>AP1267P</b>	<b>O-ring (10 pk)</b>
<b>13----</b>	<b>AP1438P</b>	<b>O-ring (10 pk)</b>
14----	AP2039	Venturi Lever
----	AP2039/Y	Venturi Lever, Yellow, Octopus
15----	AP2029-1	Adjusting Screw

Key #	Part #	Description
<b>16----</b>	<b>AP1409P</b>	<b>O-ring (10 pk)</b>
17----	AP2038	Counter Balance Cylinder
18----	AP2021	Spring
<b>19----</b>	<b>AP2041P</b>	<b>O-ring (10 pk)</b>
20----	AP2036	Shuttle Valve
<b>21----</b>	<b>AP2034</b>	<b>MP Seat</b>
22----	AP2028	Valve Spindle
<b>23----</b>	<b>AP1154P</b>	<b>O-ring (10 pk)</b>
24----	AP2033	Seat
25----	AP2035	Lever
26----	AP1151	Spring Pin
27----	AP1429	Exhaust Valve
28----	AP5801	Cover, Exhaust Valve
----	AP5801/Y	Cover, Exhaust Valve, Yellow
<b>Hoses &amp; Hose O-rings (not shown)</b>		
N/S	AP0203	Hose, MP, 1/2" X 29"
N/S	AP0203/1	Hose, MP, 3/8" X 29"
N/S	AP0206	Hose, MP, Octopus, Yellow, 3/8" X36"
N/S	AP1461	Hose Protector, Black (Std.Hose)
N/S	AP1461Y	Hose Protector, Yellow (Std.Hose)
<b>N/S</b>	<b>AP1409P</b>	<b>O-ring, Hose End, Male 3/8" (10 pk)</b>
<b>N/S</b>	<b>AP1410P</b>	<b>O-ring, Hose End, Male 1/2" (10 pk)</b>
<b>N/S</b>	<b>AP1154P</b>	<b>O-ring, Hose End, Swivel (10 pk)</b>

Part numbers in **BOLD ITALICS** indicate standard overhaul replacement part.

**ATX Tungsten • ATX200 • ATX100 • ATX50 • ATX50 Octopus (discontinued)**



**Key # Part # Description**

----	AA0220	ATX200, Second Stage Only, w/ 1/2" hose
----	AP0510C	ATX50, Second Stage Only, w/ 1/2" hose
----	<b>AP0219/AA</b>	<b>Universal Second Stage Repair Kit</b>
1----	AP5740	Decal, Tungsten
----	AP5819	Decal, ATX200
----	AP5806	Decal, ATX100
----	AP5820	Decal, ATX50
2----	AP5805	Purge Button
3----	AP2020	Spring
4a----	AP5804	Case Cover, ATX200/ATX100
----	AP5807	Case Cover, ATX50
----	AP5807/Y	Case Cover, ATX50 Octopus, Yellow
4b----	AP0574	Case Cover, Tungsten
5----	AP5802/C	Diaphragm Cover, Tungsten/ATX200/ATX100
----	AP5802	Diaphragm Cover, ATX50
6----	AP5803	Diaphragm
7----	AP5800	Case
<b>8----</b>	<b>104913</b>	<b>Mouthpiece Clamp</b>
9----	AP5324K	Mouthpiece, Comfobite
----	104138	Mouthpiece, Standard, Octopus
10----	AP2037	Deflector
11----	AP5013PVDS	Heat Exchanger, PVD, Tungsten
----	AP5013/S	Heat Exchanger, ATX200/ATX100
----	AP5002	Heat Exchanger, ATX50
<b>12----</b>	<b>AP1267P</b>	<b>O-ring (10 pk)</b>
<b>13----</b>	<b>AP1438P</b>	<b>O-ring (10 pk)</b>
14----	AP2039	Venturi Lever
----	AP2039/Y	Venturi Lever, Yellow, ATX50 Octopus
15----	AP5830	Plug
16----	AP6578	Spring Adjuster
<b>17----</b>	<b>AP1159P</b>	<b>O-ring (10 pk)</b>
<b>18----</b>	<b>AP5711P</b>	<b>O-ring (10 pk)</b>
19----	AP6577PVDS	Adjusting Knob, PVD, Tungsten
----	AP6577/S	Adjusting Knob, ATX200/ATX100

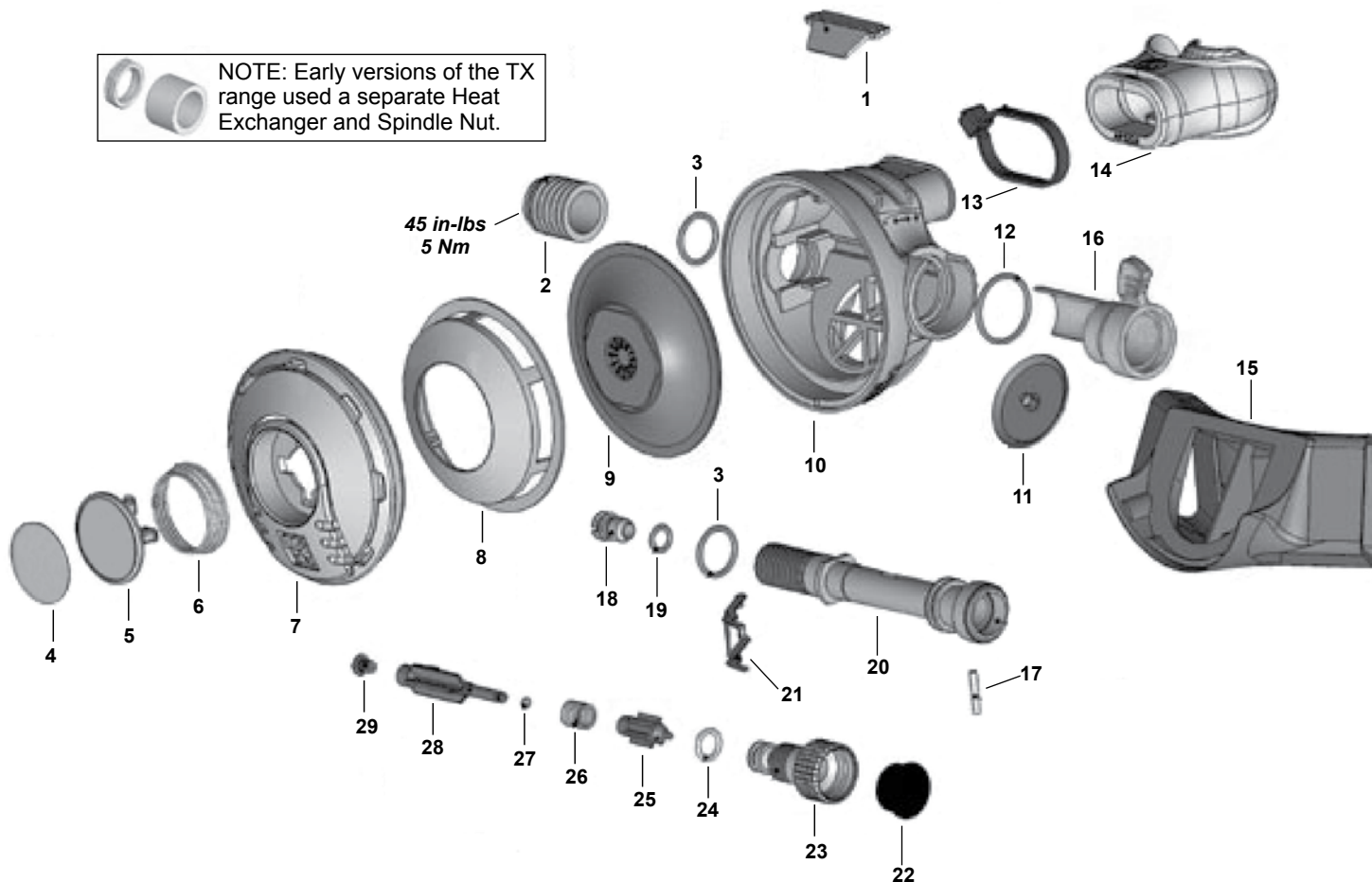
**Key # Part # Description**

----	AP6577	Adjusting Knob, ATX50
<b>20----</b>	<b>AP1409P</b>	<b>O-ring (10 pk)</b>
21----	AP2038	Counter Balance Cylinder
22----	AP2021	Spring
<b>23----</b>	<b>AP2041P</b>	<b>O-ring (10 pk)</b>
24----	AP2036	Shuttle Valve
<b>25----</b>	<b>AP2034</b>	<b>MP Seat</b>
26----	AP2028/S	Valve Spindle, ATX200/ATX100
----	AP2028	Valve Spindle, Tungsten/ATX50
<b>27----</b>	<b>AP1154P</b>	<b>O-ring (10 pk)</b>
28----	AP2033	Seat
29----	AP2035	Lever
30----	AP1151	Spring Pin
31----	AP1429	Exhaust Valve
32----	AP5801	Cover, Exhaust Valve
----	AP5801GREY	Cover, Exhaust Valve, Grey, Tungsten
----	AP5801/Y	Cover, Exhaust Valve, Yellow
<b>Hoses &amp; Hose O-rings (not shown)</b>		
N/S---	AP0203	Hose, MP, 1/2" X 29"
N/S---	AP0203/S	Hose, MP, Satin, 1/2" X 29"
N/S---	AP0206	Hose, MP, Octopus, Yellow, 3/8" X 36"
N/S---	AP1461	Hose Protector, Black (Std.Hose)
N/S---	AP1461Y	Hose Protector, Yellow (Std.Hose)
N/S---	<b>AP1409P</b>	<b>O-ring, Hose End Male 3/8" (10 pk)</b>
N/S---	<b>AP1410P</b>	<b>O-ring, Hose End Male 1/2" (10 pk)</b>
N/S---	<b>AP1154P</b>	<b>O-ring, Hose End, Swivel (10 pk)</b>

Part numbers in **BOLD ITALICS** indicate standard overhaul replacement part.

### TX50 (Military Only)

NOTE: Early versions of the TX range used a separate Heat Exchanger and Spindle Nut.

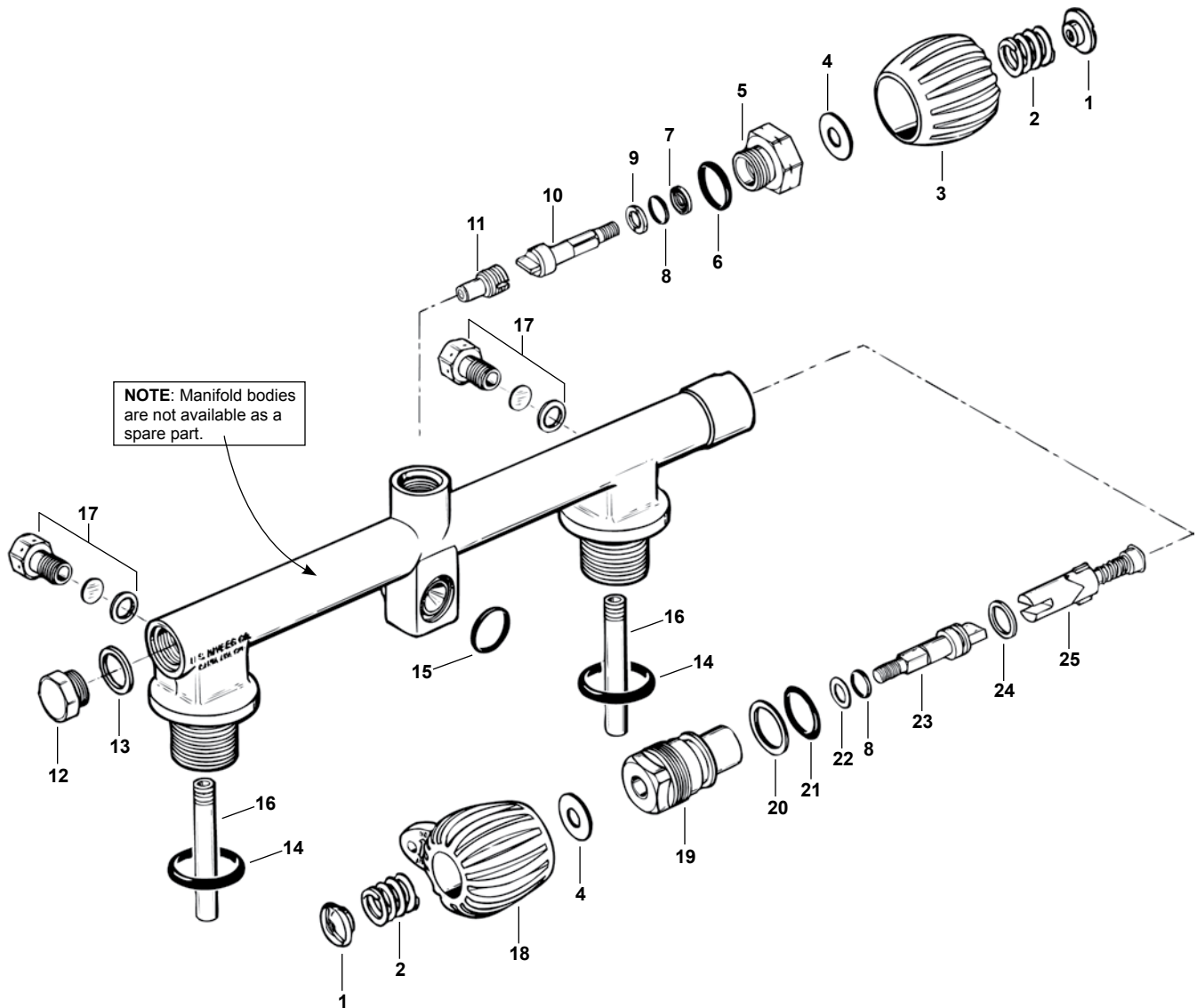


Key #	Part #	Description
-----	AP0510SQ	TX50, Second Stage w/ 1/2" Hose
-----	<b>AP0219/AA</b>	<b>Universal Second Stage Repair Kit</b>
1----	AP2037	Deflector
2----	AP5002	Heat Exchanger, TX50
<b>3----</b>	<b>AP1267P</b>	<b>O-Ring (10 pk)</b>
4----	AP5004/1	Decal, TX50
5----	AP2053	Purge Button
6----	AP2020	Spring
7----	AP2026	Case Cover, TX50
-----	AP2026/Y	Case Cover, Yellow, Octopus or Nitrox
8----	AP2025	Diaphragm Cover
9----	AP2023	Diaphragm
10----	AP5001	Case
11----	AP1429	Exhaust Valve
<b>12----</b>	<b>AP1438P</b>	<b>O-Ring (10 pk)</b>
<b>13----</b>	<b>104913</b>	<b>Mouthpiece Clamp</b>
14----	AP5324K	Mouthpiece, Comfobite
15----	AP2040	Exhaust Tee
16----	AP2039	Venturi Lever, TX50
17----	AP1151	Spring Pin
18----	AP2033	Seat
<b>19----</b>	<b>AP1154P</b>	<b>O-Ring (10 pk)</b>
20----	AP2028	Valve Spindle, TX50
21----	AP2035	Lever

Key #	Part #	Description
22----	AP2030	Plug
23----	AP2029	Adjusting Screw, TX50
<b>24----</b>	<b>AP1409P</b>	<b>O-Ring (10 pk)</b>
25----	AP2038	Counter Balance Cylinder
26----	AP2021	Valve Spring
<b>27----</b>	<b>AP2041P</b>	<b>O-Ring (10 pk)</b>
28----	AP2036	Shuttle Valve
<b>29----</b>	<b>AP2034</b>	<b>MP Seat</b>
<b>Hose &amp; Hose O-rings (not shown)</b>		
N/S---	AP0203	Hose, MP, 1/2" X 29"
N/S---	AP1461	Hose Protector, Black (Std.Hose)
<b>N/S---</b>	<b>AP1410P</b>	<b>O-ring, Hose End, Male 1/2" (10 pk)</b>
<b>N/S---</b>	<b>AP1154P</b>	<b>O-ring, Hose End, Swivel (10 pk)</b>

Part numbers in **BOLD ITALICS** indicate standard overhaul replacement part.

## Twin Tank Manifold w/Reserve

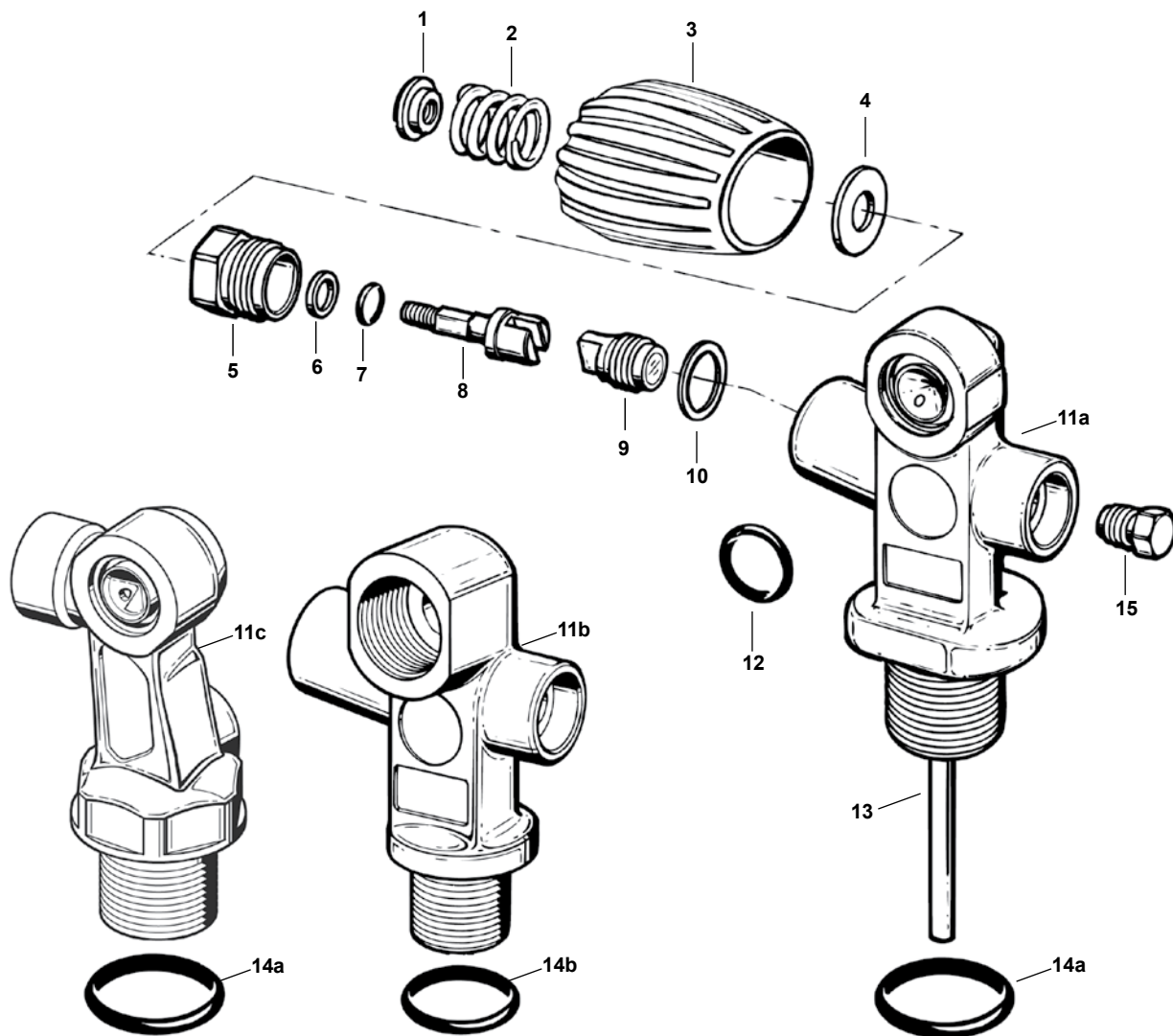


Key #	Part #	Description
----	280000	Twin Manifold, 3000 psi
1----	052518	Nut, Handle Retaining
2----	050107	Spring
3----	052541	Handwheel
4----	845058	Washer
5----	050233	Bonnet
<b>6----</b>	<b>957007P</b>	<b>O-ring (10 pk)</b>
<b>7----</b>	<b>828510</b>	<b>Back-up Ring</b>
<b>8----</b>	<b>820010P</b>	<b>O-ring (25 pk)</b>
<b>9----</b>	<b>921019</b>	<b>Gasket</b>
10----	052521	Stem, K-Valve
<b>11----</b>	<b>280013</b>	<b>Seat, Std. Twin</b>
12----	050221	Plug

Key #	Part #	Description
<b>13----</b>	<b>821011</b>	<b>Gasket</b>
<b>14----</b>	<b>820214P</b>	<b>O-ring (10 pk)</b>
<b>15----</b>	<b>820120P</b>	<b>O-ring (10 pk)</b>
16----	051821	Dip Tube
<b>17----</b>	<b>050241</b>	<b>Safety Disc Assembly, 3000 psi</b>
<b>----</b>	<b>050242</b>	<b>Safety Disc Assembly, 2250 psi</b>
18----	280040	Handwheel, Reserve
19----	052515	Bonnet
<b>20----</b>	<b>828515</b>	<b>Back-up Ring</b>
<b>21----</b>	<b>820015P</b>	<b>O-ring (10 pk)</b>
<b>22----</b>	<b>821014</b>	<b>Gasket</b>
23----	052514	Stem, J-Valve
<b>24----</b>	<b>845021</b>	<b>Washer</b>
25----	052508	Reserve Assembly
N/S----	074305	Reserve Pull Rod

Part numbers in **BOLD ITALICS** indicate standard overhaul replacement part.

## K-Valve • DIN Valve • Z-Valve Air • (by Thermo)

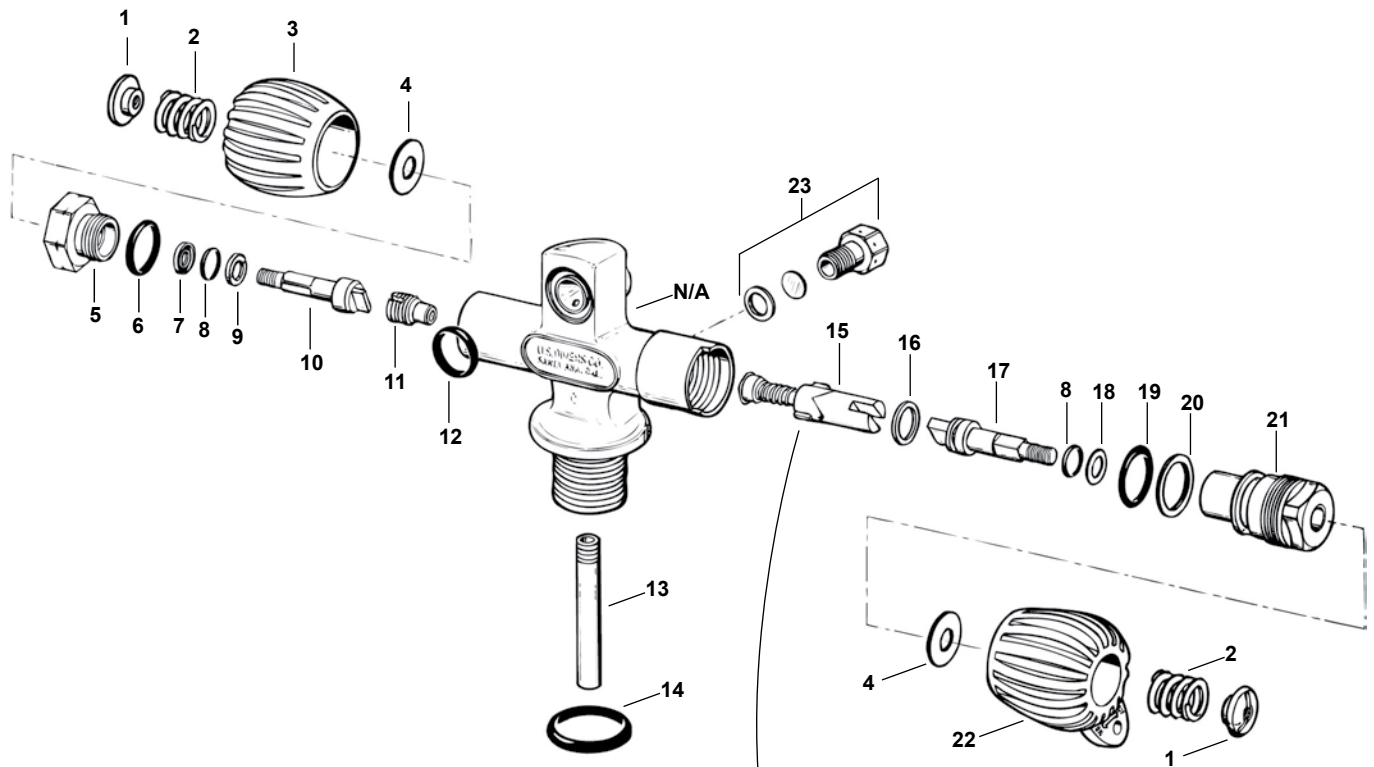


Key #	Part #	Description
-----	<b>5240-KIT</b>	<b>Service Kit, K- or Z-Valve, 3000 psi Only</b>
1	054207	Nut, Handwheel Retaining
2	054209	Spring, Handwheel
3	52406A	Handwheel
4	054212	Washer
5	054204	Bonnet
6	<b>054205</b>	<b>Washer, Packing</b>
7	<b>820010P</b>	<b>O-ring, Stem (25 pk)</b>
8	054208	Stem
9	<b>054203</b>	<b>Seat Assembly</b>
10	<b>054216</b>	<b>Gasket, Bonnet</b>
11a	NLA	Body, K-Valve

Key #	Part #	Description
11b	NLA	Body, DIN Valve
11c	NLA	Body, Z-Valve
12	<b>820014P</b>	<b>O-ring, Outlet (25 pk)</b>
13	054215	Dip Tube
14a	<b>820214P</b>	<b>O-ring, K-Valve (10 pk)</b>
14b	<b>054114</b>	<b>O-ring, DIN Valve</b>
15	<b>054201</b>	<b>Safety Plug Kit, 3,000 psi (Aluminum)</b>
	<b>054261</b>	<b>Safety Plug Kit, 3,500 psi (HP Steel)</b>
	<b>054221</b>	<b>Safety Plug Kit, 2,400 psi (LP Steel)</b>
	<b>054211</b>	<b>Safety Plug Kit, 2,250 psi (LP Steel)</b>
N/S	42485	Dust Cap, K-Valve
N/S	054228	Dust Cap, Z-Valve

Part numbers in **BOLD ITALICS** indicate standard overhaul replacement part.

## J-Valve



**NOTE:** Reserve Assembly (PN 052548) is to be used on valves which have "Japan" stamped on the base of the valve body. If replacement of the reserve assembly is required, do not use the 052508 reserve assembly in valves stamped with "Japan". The 052548 reserve assembly is dyed red to differentiate between the reserve assemblies.

Key #	Part #	Description
-----	054500	J-Valve (3000 psi)
1----	052518	Nut, Handle Retaining
2----	050107	Spring
3----	052541	Handwheel
4----	845058	Washer
5----	050233	Bonnet, Left Handed Thread
-----	050216	Bonnet, Right Handed Thread
<b>6----</b>	<b>957007P</b>	<b>O-ring (10 pk)</b>
<b>7----</b>	<b>828510</b>	<b>Back-up ring</b>
<b>8----</b>	<b>820010P</b>	<b>O-ring (25 pk)</b>
<b>9----</b>	<b>921019</b>	<b>Thrust Washer</b>
10----	052521	Stem
<b>11----</b>	<b>052519</b>	<b>Seat</b>
<b>12----</b>	<b>820120P</b>	<b>O-ring (10 pk)</b>
13----	051821	Dip Tube

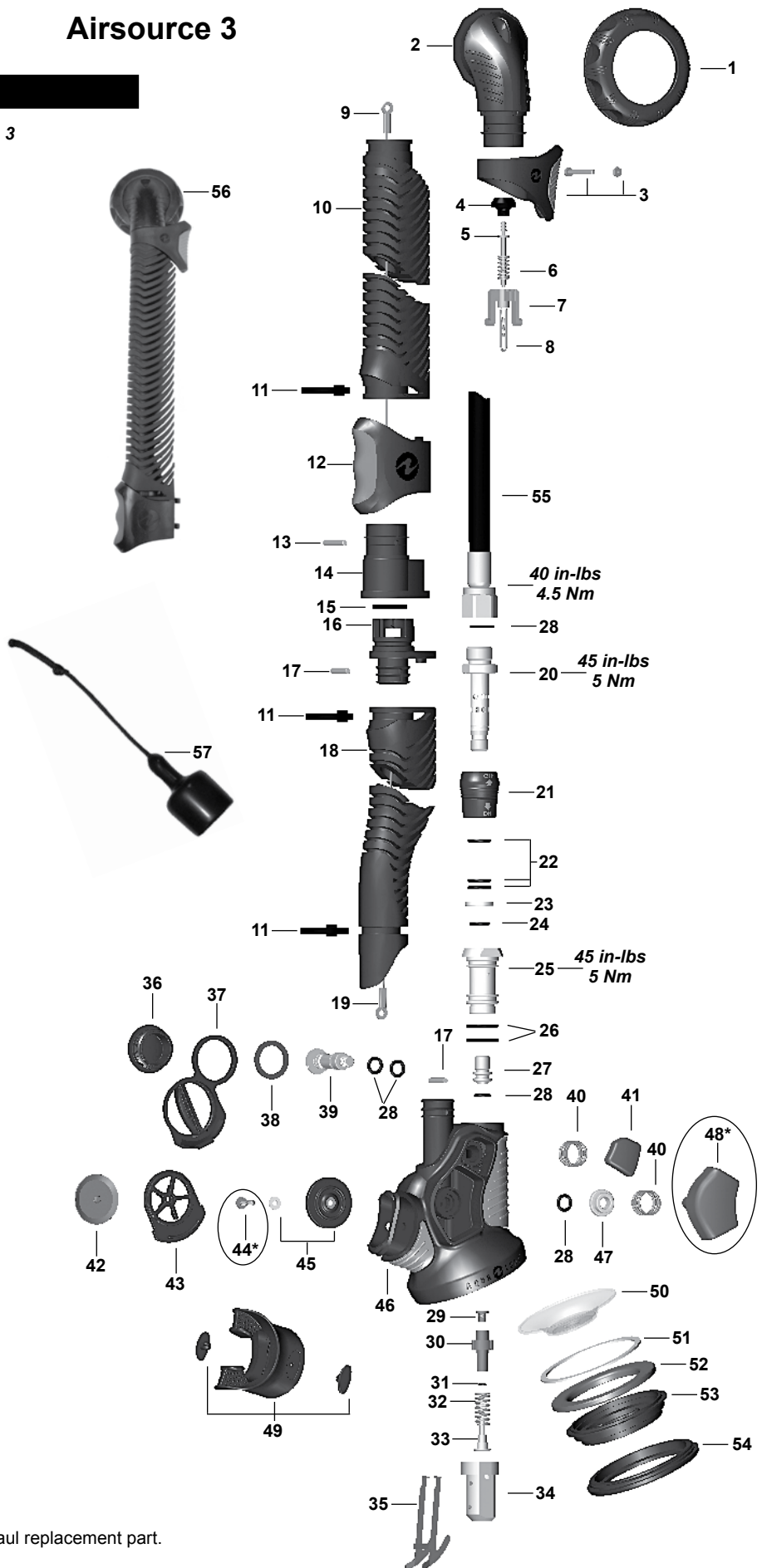
Key #	Part #	Description
<b>14----</b>	<b>820214P</b>	<b>O-ring (10 pk)</b>
15----	052508	Reserve Assembly
-----	052548	Reserve Assembly, Red (SEE NOTE)
<b>16----</b>	<b>845021</b>	<b>Washer</b>
17----	052514	Stem, Reserve
<b>18----</b>	<b>821014</b>	<b>Gasket</b>
<b>19----</b>	<b>820015P</b>	<b>O-ring (10 pk)</b>
<b>20----</b>	<b>828515</b>	<b>Back-up Ring</b>
21----	214204	Bonnet
22----	052540	Handwheel, Reserve
<b>23----</b>	<b>050241</b>	<b>Safety Disc Assembly, 3000 psi</b>
-----	<b>050242</b>	<b>Safety Disc Assembly, 2250 psi</b>
N/S---	074305	Reserve Pull Rod

Part numbers in **BOLD ITALICS** indicate standard overhaul replacement part.

# Airsource 3

**Key # Part # Description**

-----	<b>900021</b>	<b>Overhaul Parts Kit, Airsource 3</b>
-----	15140	Airsource QD Conversion Kit
1----	15763	Collar
2----	15161	Elbow
3----	15179	Clip, Nut & Screw
<b>4----</b>	<b>778559</b>	<b>Poppet, Dump Valve</b>
5----	15164	Stem, Poppet
6----	15215	Spring, Pull Dump, S/S
7----	15162	Guide, Poppet
8----	15178	Hook, Inflator Cable
9----	15163	Cable, Upper 7.6"
10----	15170	Hose, Upper
<b>11----</b>	<b>15719</b>	<b>Clamp</b>
12----	15174	Trim-Grip, Ring
13----	15172	Pin
14----	15173	Trim-Grip, Top
<b>15----</b>	<b>820018P</b>	<b>O-ring (20 pk)</b>
16----	15175	Trim-Grip, Bottom
17----	15177	Pin
18----	15171	Hose, Lower
19----	15176	Cable, Lower, 6.4"
20----	15193	Fitting, Cut-Off Valve
21----	15194	Barrel, Cut-Off Valve
<b>22----</b>	<b>820312P</b>	<b>O-ring (10 pk)</b>
23----	15195	Washer
<b>24----</b>	<b>820011P</b>	<b>O-ring (25 pk)</b>
25----	15196	Inlet Fitting
<b>26----</b>	<b>820015P</b>	<b>O-ring (10 pk)</b>
27----	15220	Crown
<b>28----</b>	<b>820010P</b>	<b>O-ring (25 pk)</b>
<b>29----</b>	<b>15221</b>	<b>MP Seat</b>
30----	15222	Shuttle Valve
<b>31----</b>	<b>15234</b>	<b>O-ring</b>
32----	15223	Spring
33----	15224	Spring Carrier
34----	15201	Valve Spindle
35----	15202	Lever
36----	15190	Cap
37----	15211	Cover, Exhaust Valve
<b>38----</b>	<b>15189</b>	<b>Gasket</b>
39----	15188	Push rod
40----	15187	Spring
41----	15186	Button, PI
<b>42----</b>	<b>15115</b>	<b>Valve, Exhaust</b>
43----	15210	Support, Exhaust Valve
44----	15204	Screw*
45----	15197	Oral Seal Kit
46----	15181	Body
47----	15185	Plate
48----	15241	OI Button w/Screw*
49----	15214	Mouthpiece w/ Pins
50----	15225	Diaphragm
51----	15227	Washer
52----	15228	Retainer, Diaphragm
53----	15205	Cover, Purge
54----	15207	Retainer, Purge
55----	15191	Hose, MP 3/8" x 25"
56----	15240	Upper Hose Assembly
57----	15226	Dust Cap, for Bottom Trim Grip

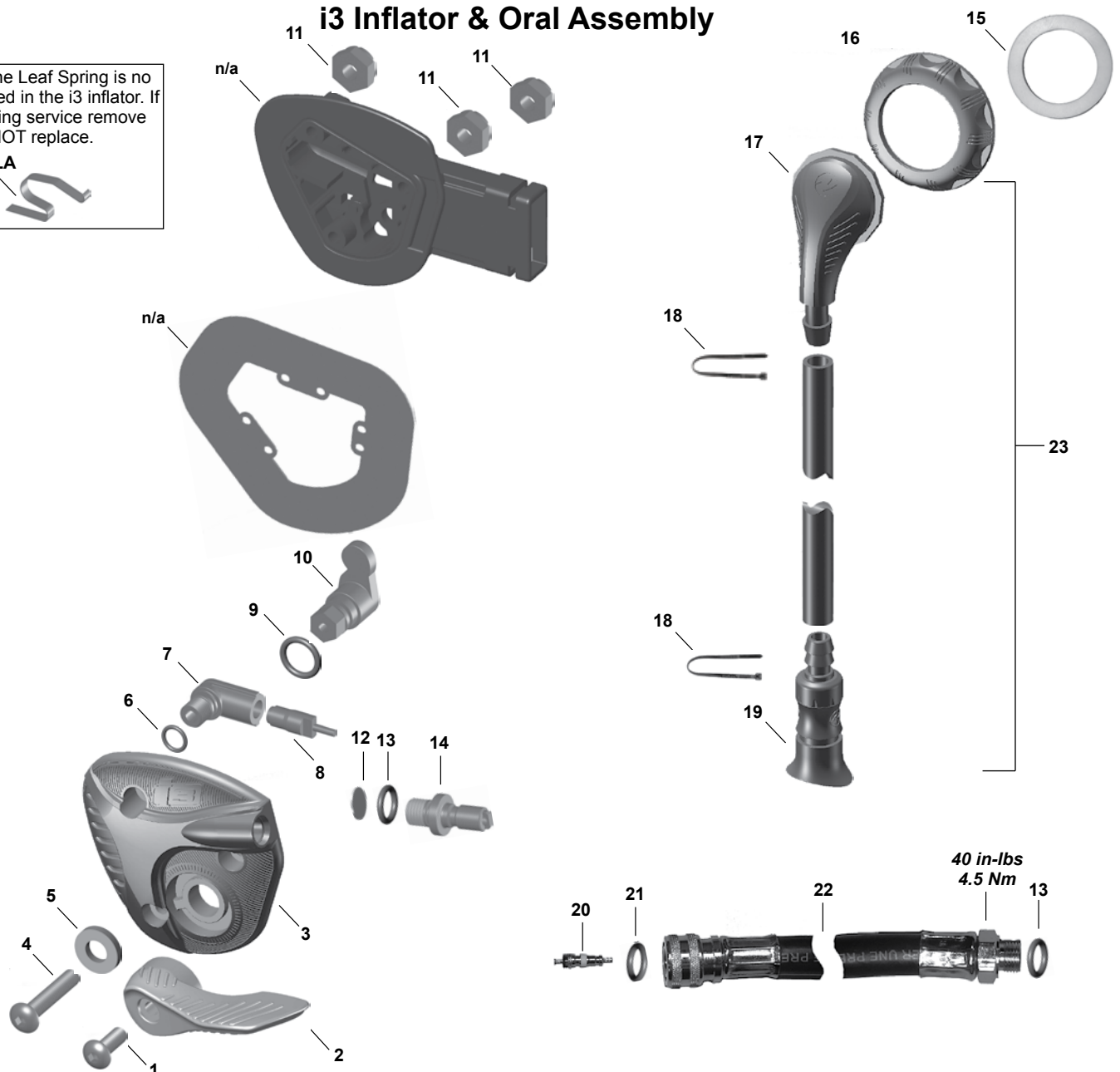


**\*NOTE:** A change has been made to the screw (44) that threads into the OI Button (48). A replacement OI Button and a new screw will be temporarily included in the Overhaul Parts Kit and both parts should be installed during overhaul.

Part numbers in **BOLD ITALICS** indicate standard overhaul replacement part.

### i3 Inflator & Oral Assembly

**NOTE:** The Leaf Spring is no longer used in the i3 inflator. If found during service remove and DO NOT replace.

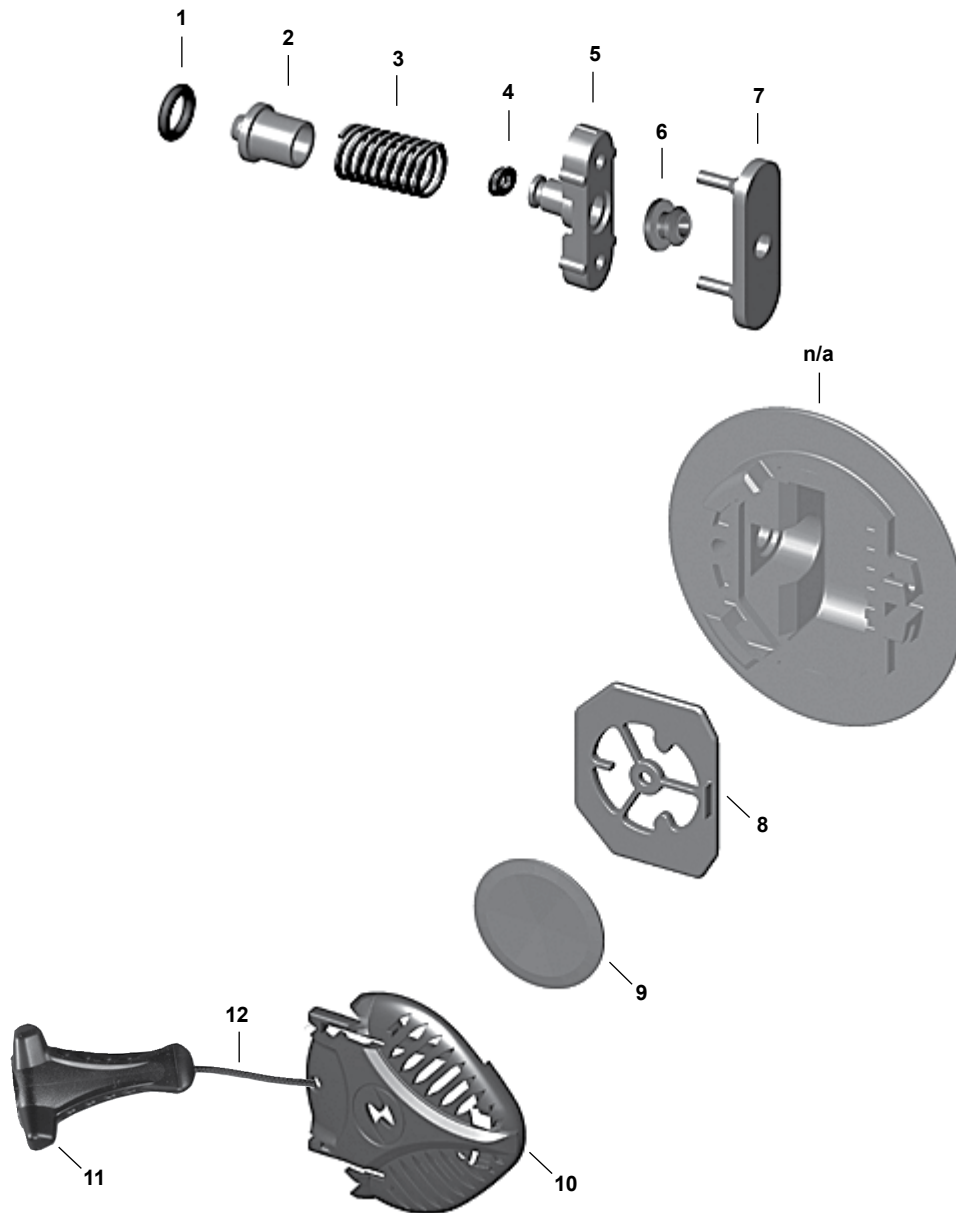


Key #	Part #	Description
-----	<b>900020</b>	<b>Service Kit, i3 Inflator</b>
1----	15424	Screw, 10-32X.5
2----	15414	Handle, i3 Inflator, Red
-----	15433	Handle, i3 Inflator, Pink
-----	15434	Handle, i3 Inflator, Grey
-----	15435	Handle, i3 Inflator, Aqua
3----	15412	Body Out with Labels, i3 Inflator
-----	15436	Body Out with Grey Labels, i3 Inflator
4----	15423	Screw, 10-32X1
5----	<b>15426</b>	<b>Washer, Screw Seal</b>
6----	<b>820010P</b>	<b>O-ring (25 pk)</b>
7----	15417	Valve Retainer, Elbow
8----	<b>15504</b>	<b>Valve Core</b>
9----	<b>820073P</b>	<b>O-ring (10 pk)</b>
10----	15415	Lever, i3 Inflator
11----	15425	Nut, Nylock, 10-32
12----	<b>15628</b>	<b>Powerline Filter</b>

Key #	Part #	Description
13----	<b>820011P</b>	<b>O-ring (25 pk)</b>
14----	090018	Quick Disconnect Plug with O-ring
15----	<b>15309</b>	<b>Gasket</b>
16----	15763	Collar
17----	15427	Elbow
18----	15719	Clamp
19----	15429	Mouthpiece/Valve, Oral Inflator Asssy
20----	<b>778564</b>	<b>Valve Core</b>
21----	<b>820043P</b>	<b>O-ring (10 pk)</b>
22----	44827	MP Inflator Hose, 27" (SM)
-----	44833	MP Inflator Hose, 33" (M, ML, L)
-----	44836	MP Inflator Hose, 36" (XL)
-----	44840	MP Inflator Hose, 40" (XXL)
23----	42773	i3 Oral Inflator, Complete (items 16-19)

Part numbers in **BOLD ITALICS** indicate standard overhaul replacement part.

## Flat E-Valve



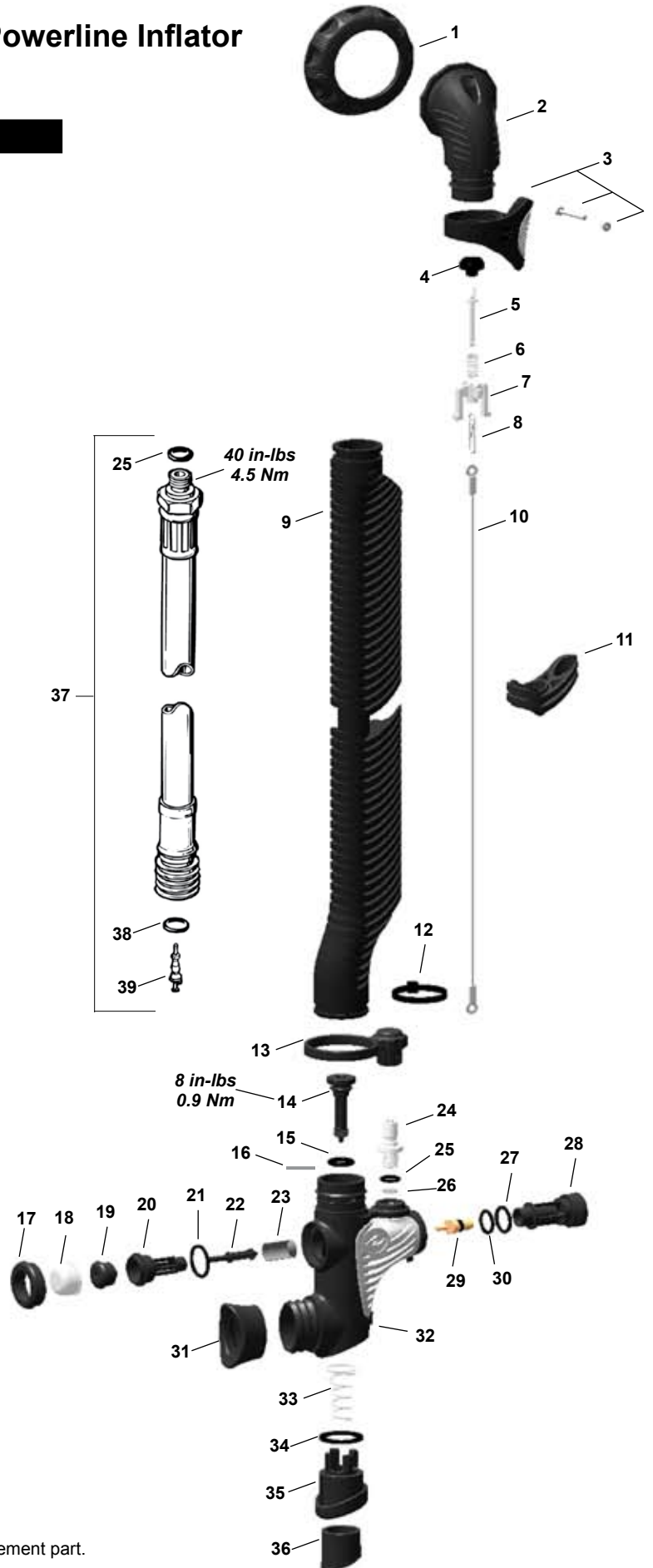
Key #	Part #	Description
1	<b>820010P</b>	<b>O-ring (25 pk)</b>
2	15404	Seal, Cylinder, Black
3	15407	Spring, S/S
4	<b>15408P</b>	<b>Quad Ring (10 pk)</b>
5	15401	Plate, Seal, Black
6	15402	Plug, Cord Hole
7	<b>15406</b>	<b>Seal, Gray</b>
8	15403	Plate, Valve, Blk
9	15115	Valve, Exhaust, Red
10	15405	Cap, Blk
11	12277	Pull Knob
12	42738	Pull Dump Cord (25')

Part numbers in **BOLD ITALICS** indicate standard overhaul replacement part.

# New Powerline Inflator

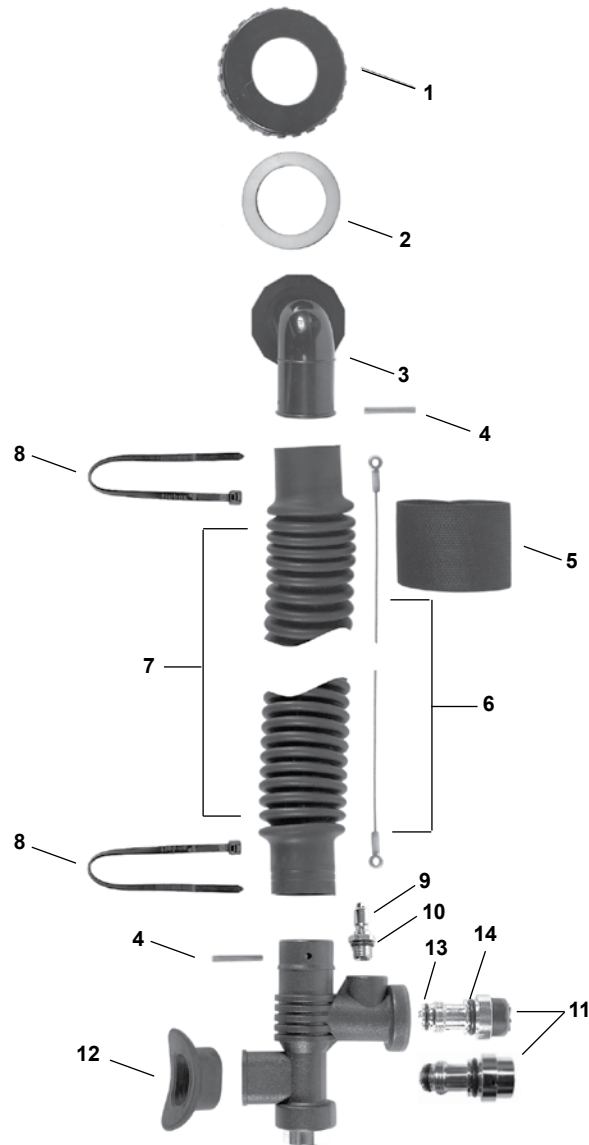
**Key # Part # Description**

-----	42800	Powerline Airway, Complete
-----	15270	Powerline, Lower Unit
-----	<b>42609</b>	<b>Service Kit, Powerline Inflator</b>
1----	15763	Collar
2----	15161	Elbow
3----	15179	Clip, Nut & Screw
4----	<b>778559</b>	<b>Poppet, Dump Valve</b>
5----	15164	Poppet Stem
6----	15215	Spring
7----	15162	Poppet Guide
8----	15178	Cable Hook
9----	15261	Molded Hose
10----	15724	Cable
11----	15262	Hose Clip
12----	<b>15719</b>	<b>Clamp</b>
13----	15029	QD Fitting Cover
14----	15736	Oral Valve Poppet
15----	<b>820092</b>	<b>O-ring</b>
16----	15610	Cable Pin
17----	15746	Bezel
18----	15100	Button Cover, Gray
19----	15747	Button
20----	15749	Push Rod Housing
21----	<b>820016P</b>	<b>O-ring (10 pk)</b>
22----	15743	Push Rod
23----	<b>15720</b>	<b>Filter Screen</b>
24----	090018	Quick Disconnect Plug w/ O-ring
25----	<b>820011P</b>	<b>O-ring (25 pk)</b>
26----	15628	Filter
27----	<b>820014P</b>	<b>O-ring (25 pk)</b>
28----	15744	Valve Retainer
29----	15504	Valve Core
30----	<b>957025P</b>	<b>O-ring (10 pk)</b>
31----	15741	Mouthpiece
32----	15260	Body
33----	15709	Spring
34----	<b>15718</b>	<b>Gasket</b>
35----	15742	Oral Button
36----	15745	Molded Insert
37----	44822	LP Inflator Hose, 22"
-----	44825	LP Inflator Hose, 25"
-----	44827	LP Inflator Hose, 27"
-----	44833	LP Inflator Hose, 33"
38----	<b>820043P</b>	<b>O-ring (10 pk)</b>
39----	<b>778564</b>	<b>Valve Core</b>



Part numbers in **BOLD ITALICS** indicate standard overhaul replacement part.

## Apeks Inflator Assembly

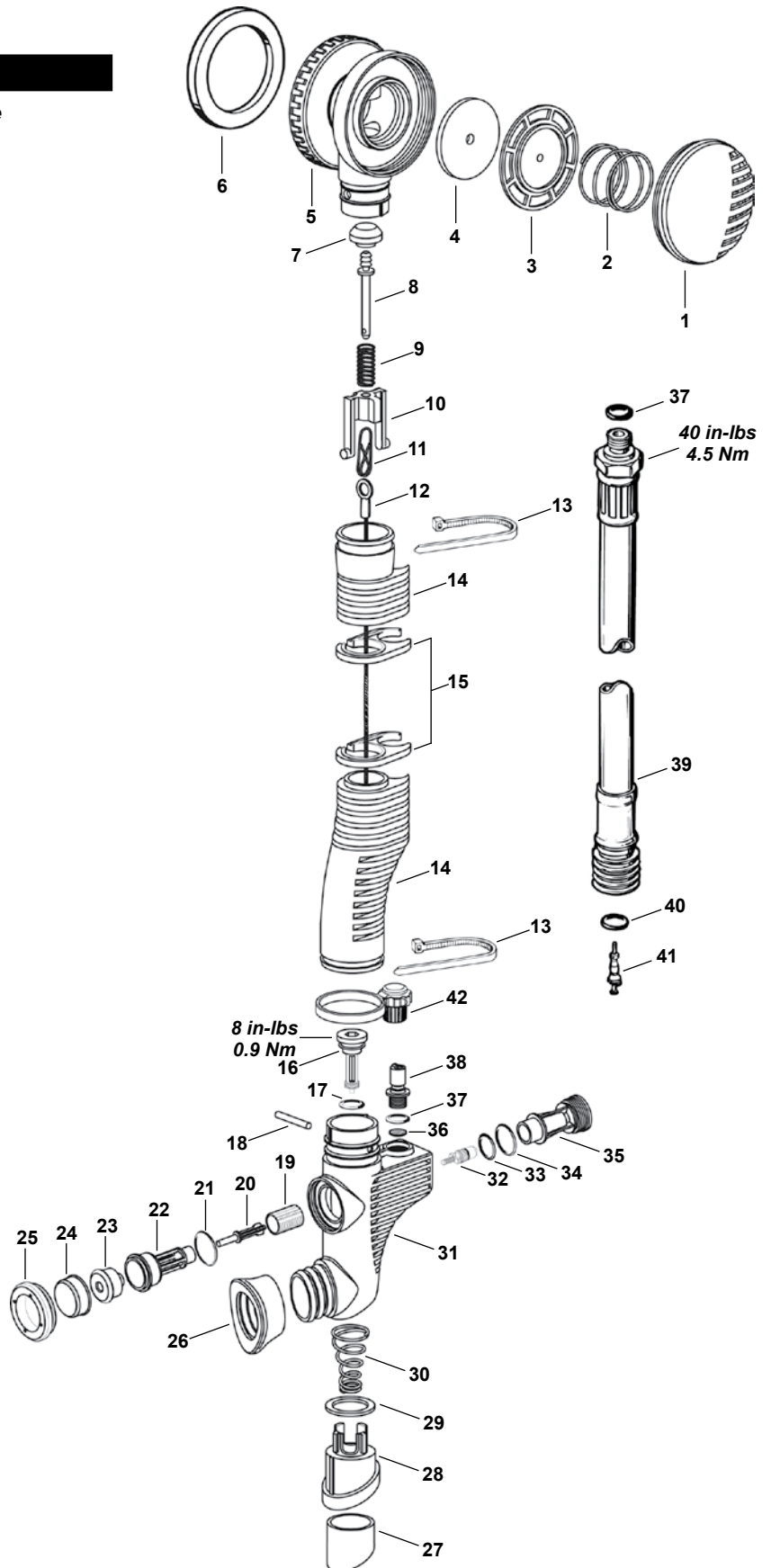


Key #	Part #	Description
----	42772	Airway, Complete
----	15755	Lower Inflator Assembly, Apeks
1----	15706	Collar
<b>2----</b>	<b>15309</b>	<b>Gasket</b>
3----	15304	Elbow
4----	15610	Retaining Pin
5----	42783	Retainer Loop
6----	15757	Cable Assembly
7----	15756	Corrugated Hose
<b>8----</b>	<b>15719</b>	<b>Clamp</b>
9----	15758	Quick Disconnect Fitting w/O-ring
<b>10----</b>	<b>820311P</b>	<b>O-ring (10 pk)</b>
11----	15717	Valve Module w/Brass Button
----	15761	Valve Module w/Plastic Button
12----	15759	Mouthpiece
<b>13----</b>	<b>820312P</b>	<b>O-ring (10 pk)</b>
<b>14----</b>	<b>820120P</b>	<b>O-ring (10 pk)</b>

Part numbers in **BOLD ITALICS** indicate standard overhaul replacement part.

## Powerline Inflator w/ Dual Valve (discontinued)

Key #	Part #	Description
	<b>---- 42609</b>	<b>Service Kit, Pwr Inf. w/ Dual Valve</b>
1	NLA	Cap
2	NLA	Overpressure Spring
3	NLA	Valve Plate
4	<b>15714</b>	<b>Seal</b>
5	NLA	Body, Dual Valve
6	<b>15309</b>	<b>Gasket</b>
7	<b>778559</b>	<b>Dump Plug</b>
8	778558	Poppet Stem
9	15901	Dump Spring
10	15649	Poppet Guide
11	15652	Cable Hook
12	15724	Cable Assembly
13	<b>15719</b>	<b>Clamp</b>
14	NLA	Ribbed Hose
15	15735	Hose Clip
16	15736	Poppet, Oral Valve
17	<b>820092</b>	<b>O-ring</b>
18	15610	Cable Pin
19	<b>15720</b>	<b>Filter Screen</b>
20	15743	Push Rod
21	<b>820016P</b>	<b>O-ring (10 pk)</b>
22	15749	Push Rod Housing
23	15747	Button
24	15100	Button Cover, Gray
25	15746	Bezel
26	15741	Mouthpiece
27	15745	Molded Insert
28	15742	Oral Button
29	<b>15718</b>	<b>Gasket</b>
30	15709	Oral Valve Spring
31	NLA	Body
32	<b>15504</b>	<b>Valve Core</b>
33	<b>957025P</b>	<b>O-ring (10 pk)</b>
34	<b>820014P</b>	<b>O-ring (25 pk)</b>
35	15744	Valve Retainer
36	<b>15628</b>	<b>Filter</b>
37	<b>820011P</b>	<b>O-ring (25 pk)</b>
38	090018	Quick Disconnect Plug w/ O-ring
39	44822	LP Inflator Hose, 22"
	44825	LP Inflator Hose, 25"
	44827	LP Inflator Hose, 27"
	44833	LP Inflator Hose, 33"
40	<b>820043P</b>	<b>O-ring (10 pk)</b>
41	<b>778564</b>	<b>Valve Core</b>
42	15029	QD Fitting Cover

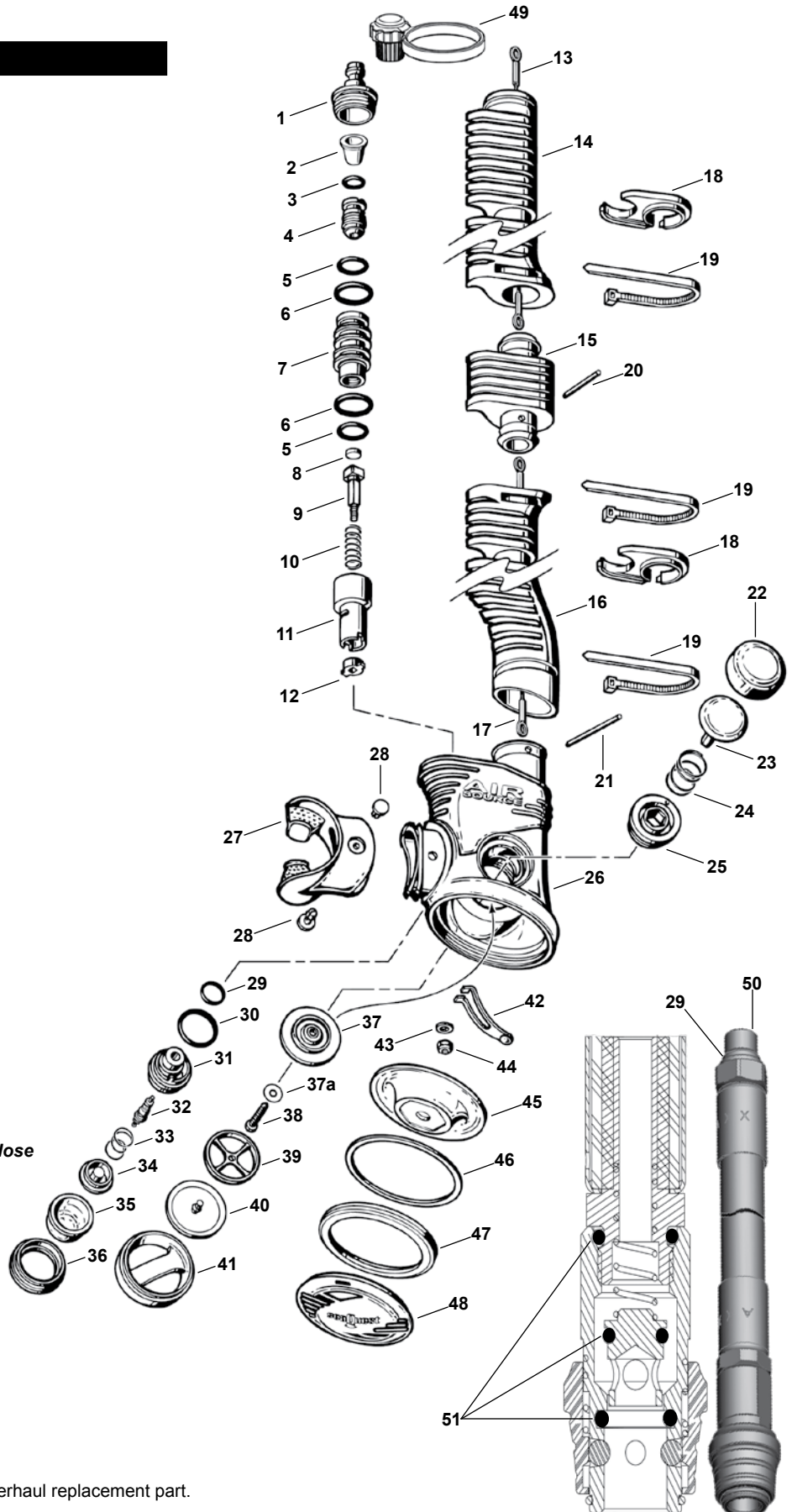


Part numbers in **BOLD ITALICS** indicate standard overhaul replacement part.

## Air Source 2 (discontinued)

Key #	Part #	Description
-------	--------	-------------

-----	<b>42608</b>	<b>Service Kit, Airsource 2</b>
1 ----	15111	Quick disconnect fitting
2 ----	<b>15055</b>	<b>Sintered Filter</b>
3 ----	<b>820010P</b>	<b>O-ring (25 pk)</b>
4 ----	15026	Crown
5 ----	<b>820013P</b>	<b>O-ring (10 pk)</b>
6 ----	<b>820120P</b>	<b>O-ring (10 pk)</b>
7 ----	15089	Crown Housing
8 ----	<b>15027</b>	<b>Poppet Seat</b>
9 ----	15103	Poppet
10 ---	15110	Poppet Spring
11 ---	15113	Poppet Housing
12 ---	15049	Poppet Guide
13 ---	15118	Upper Cable
14 ---	15096	Spiral Hose, 8"
15 ---	15090	Trim Grip
16 ---	15098	Spiral Hose, 6"
17 ---	15117	Lower Cable
18 ---	15735	Hose Clip
19 ---	<b>15719</b>	<b>Clamp</b>
20 ---	15106	Pin, 0.71
21 ---	15610	Pin, 1.0
22 ---	15099	Oral Button Cover
23 ---	15083	Oral Poppet
24 ---	15095	Oral Spring
25 ---	15093	Oral Bezel
26 ---	15094	Body
27 ---	42802	Mouthpiece
28 ---	15104	Mouthpiece Retainer
29 ---	<b>820011P</b>	<b>O-ring (25 pk)</b>
30 ---	<b>820016P</b>	<b>O-ring (10 pk)</b>
31 ---	15092	Valve Retainer
32 ---	<b>778564</b>	<b>Valve Core</b>
33 ---	15112	Spring
34 ---	15081	Inflator Button
35 ---	15100	Inflator Button Cover, Gray
36 ---	15080	Inflator Bezel
37 ---	42641	Oral Seal Kit
37a --	NLA	Oral Seal Washer
38 ---	15107	Screw
39 ---	15078	Exhaust Retainer
40 ---	15132	Exhaust Valve, Gray
41 ---	15082	Exhaust Cap
42 ---	42804	Demand Lever w/ Button
43 ---	15039	Washer
44 ---	<b>15020</b>	<b>Locknut</b>
45 ---	42803	Diaphragm Assy
46 ---	15084	Diaphragm Ring
47 ---	15087	Diaphragm Retainer
48 ---	15091	Purge Button
49 ---	15029	QD Fitting Cover
50 ---	25455	27" MP Hose, Air Source
51 ---	<b>42639</b>	<b>O-ring Kit, Airsource QD Hose</b>



Part numbers in **BOLD ITALICS** indicate standard overhaul replacement part.

## Current Models

Key #	Part #	Description
-------	--------	-------------

### Balance • Libra (Sea Quest)

1----	42797	Weight Pouch, 10 lb, Surelock II
2----	42767	Weight Pouch, 10 lb, Surelock
3----	42726	Weight Pouch, Universal 10 lb
4----	15309	Gasket, Universal Connector
5----	44822	MP Hose, 22", SM-MD
6----	44825	MP Hose, 25", ML-LG
7----	44827	MP Hose, 27", XL
8----	28228	Universal Tank Band
9----	42754	Dump Valve Kit, Universal
10----	427039	Chest Strap Kit, Removable (Libra only)
<i>Optional Upgrade</i>		
11----	427040	Carry Handle Kit (Large Contour Pack only)
12----	42764	Low Profile Dump Valve Kit

Key #	Part #	Description
-------	--------	-------------

### Dimension i3 • Lotus i3 (Aqua Lung)

1----	42797	Weight Pouch, 10 lb, Surelock II
2----	15309	Gasket, Universal Connector
3----	44827	MP Hose, 27", (XS/S, S)
4----	44833	MP Hose, 33", (M, ML, L)
5----	44836	MP Hose, 36", (XL)
6----	15430	Cover, QD, w/ Cord, i3 Inflator
7----	12277	Pull Knob, Nyl, Blk
8----	12003	Zip Pull w/ Cord
9----	12084	Sleeve for Valve Retention Strap
10----	28228	Universal Tank Band
11----	427072	Chest Strap Kit, Removable
12----	427104	Bungee
13----	42773	Oral Inflator Assembly
14----	12121	Pack, Frame, Wrapture
15----	12137	Plate, Pack, Wrapture
16----	15050	Screw, 3/8 S/S
17----	15051	Barrel, Threaded, 1/4 S/S
18----	15135	Nut, Flanged, 10/24 S/Sv
19----	15136	Screw, 3/4, 10-24 S/S

Key #	Part #	Description
-------	--------	-------------

1----	42798	Weight Pouch, 16 lb, Surelock II
2----	42768	Weight Pouch, 16 lb, Surelock
3----	42716	Weight Pouch, Universal, 16 lb
4----	42751	Weight Pouch, Deluxe, 16 lb, (2000+) (carry handle & retainer straps)
5----	15071	Screw (for Multi-set Waistband)
6----	15072	Nut (for Multi-set Waistband)
7----	15309	Gasket, Universal Connector
8----	44825	MP Hose, 25", SM

Key #	Part #	Description
-------	--------	-------------

9----	44827	MP Hose, 27", MD-XL
10----	28228	Universal Tank Band
11----	42754	Dump Valve Kit, Universal
12----	427039	Removable Chest Strap Kit (1996+)

#### Optional Upgrades

13----	427030	Waistband Expander Kit, 2-req'd (adds 6" in length)
14----	427038	Removable Crotch Strap Kit (1997+)
15----	427042	Twin Tank Kit (must have large Contour Pack)
16----	427040	Carry Handle Kit (must have large Contour Pack)

## Black Diamond

Key #	Part #	Description
-------	--------	-------------

### Black Diamond Waist Bands

#### with Aqua Lung Swivel Buckle

17----	431411	Waistband Assy, 377/304, SM, w/Surelock
18----	431412	Waistband Assy, 377/304, MD, w/Surelock
19----	431413	Waistband Assy, 377/304, ML, w/Surelock
20----	431414	Waistband Assy, 377/304, LG, w/Surelock
21----	431415	Waistband Assy, 377/304, XL, w/Surelock



### Black Diamond Waist Bands

#### with SeaQuest Swivel Buckle

22----	430411	Waistband Assy, 377, SM, w/Surelock
23----	430412	Waistband Assy, 377, MD, w/Surelock
24----	430413	Waistband Assy, 377, ML, w/Surelock
25----	430414	Waistband Assy, 377, LG, w/Surelock
26----	430415	Waistband Assy, 377, XL, w/Surelock
27----	43020.1	Waistband Assembly, 360, SM
28----	43020.2	Waistband Assembly, 360, MD
29----	43020.3	Waistband Assembly, 360, ML
30----	43020.4	Waistband Assembly, 360, LG
31----	43020.5	Waistband Assembly, 360, XL



### Black Diamond Waist Bands

#### with 2" Lock Monster Buckle

32----	43019.1	Waistband Assembly, 346, SM
33----	43019.2	Waistband Assembly, 346, MD
34----	43019.3	Waistband Assembly, 346, ML
35----	NLA	Waistband Assembly, 346, LG
36----	43019.5	Waistband Assembly, 346, XL

## Current Models

## Key # Part # Description

**Pearl (Sea Quest)**

1----	42797	Weight Pouch, 10 lb, Surelock II
2----	12003	Zip Pull w/ Cord
3----	12235	Buckle, Female, 1.5" Airlock
4----	12261	Buckle, Male, 1.5" Airlock
5----	12277	Pull Knob, Nyl, Blk
6----	15309	Gasket, Universal Connector
7----	44822	MP Hose, 22" (XS, SM, MD)
8----	44825	MP Hose, 25" (ML, LG)
9----	28228	Universal Tank Band
10----	42764	Low Profile Dump Valve Kit

**Pearl i3 (Sea Quest)**

1----	42797	Weight Pouch, 10 lb, Surelock II
2----	42767	Weight Pouch, 10 lb, Surelock
3----	12003	Zip Pull w/ Cord
4----	12019	Waistband Clip Lock for Multi-set
5----	12235	Buckle, Female, 1.5" Airlock
6----	12261	Buckle, Male, 1.5" Airlock
7----	12277	Pull Knob, Nyl, Blk
8----	15309	Gasket, Universal Connector
9----	15430	Cover, QD, w/ Cord, i3 Inflator
10----	44827	MP Hose, 27" (XS, SM)
11----	44833	MP Hose, 33" (MD, ML, LG)
12----	15428	Hose Hat, MP Hose
13----	28228	Universal Tank Band
14----	42773	Oral Inflator Assembly
15----	42764	Low Profile Dump Valve Kit

**Pro QD i3 (Sea Quest)**

1----	42797	Weight Pouch, 10 lb, Surelock II, XS-ML
2----	42767	Weight Pouch, 10 lb, Surelock, XS-ML
3----	42798	Weight Pouch, 16 lb, Surelock II, LG-XXL
4----	42768	Weight Pouch, 16 lb, Surelock, LG-XXL
5----	12235	Buckle, Female, 1.5" Airlock
6----	12261	Buckle, Male, 1.5" Airlock
7----	12241	Buckle, Male, 1.0" Airlock
8----	12060	Snap Hook
9----	15309	Gasket, Universal Connector
10----	44827	MP Hose, 27" (SM)
11----	44833	MP Hose, 33" (MD, ML, LG)
12----	44836	MP Hose, 36" (XL)
13----	44840	MP Hose, 40" (XXL)
14----	15428	Hose Hat
15----	28228	Universal Tank Band
16----	427040	Carry Handle Kit (for LG contour pack only)
17----	42773	Oral Inflator Assembly
18----	12277	Pull Knob, Nyl, Blk
19----	15430	Cover, QD, w/ Cord, i3 Inflator
20----	42764	Low Profile Dump Valve Kit

## Key # Part # Description

**Pro QD • Pro LT (Aqua Lung)**

1----	42797	Wt Pouch, 10 lb, Surelock II, XS-ML
2----	42798	Wt Pouch, 16 lb, Surelock II, LG-XL
3----	12247	Buckle, Female, 2.0" Airlock
4----	12248	Buckle, Male, 2.0" Airlock
5----	12241	Buckle, Male, 1.0" Airlock
6----	15309	Gasket, Universal Connector
7----	44822	MP Hose, 22", XS-MD
8----	44825	MP Hose, 25", ML-LG
9----	44827	MP Hose, 27", XL
10----	28228	Universal Tank Band
11----	42754	Dump Valve Kit, Universal
12----	12131	Pack Frame, Blk
13----	12132	Cradle, Co-Molded
14----	15437	Screw, 10 X 3/4 Panhead (need 6)
15----	12003	Zip Pull, W/Cord
16----	12234	Pull Knob, Blk
17----	427096	Removable Backpad, All Blk, Universal
18----	427190	Waistband Set, Adjustable Web, XS
19----	427191	Waistband Set, Adjustable Web, SM
20----	427192	Waistband Set, Adjustable Web, MD
21----	427193	Waistband Set, Adjustable Web, ML
22----	427194	Waistband Set, Adjustable Web, LG
23----	427195	Waistband Set, Adjustable Web, XL
24----	427196	Waistband Set, Adjustable Web, XXL
25----	42764	Low Profile Dump Valve Kit

**Wave 2010 (Aqua Lung)**

1----	42797	Wt Pouch, 10 lb, Surelock II
2----	12247	Buckle, Female, 2.0" Airlock
3----	12248	Buckle, Male, 2.0" Airlock
4----	12241	Buckle, Male, 1.0" Airlock
5----	15309	Gasket, Universal Connector
6----	44822	MP Hose, 22", XXS
8----	44827	MP Hose, 27"
10----	28228	Universal Tank Band
11----	42754	Dump Valve Kit, Universal
12----	12131	Pack Frame, Blk
13----	12132	Cradle, Co-Molded
14----	15437	Screw, 10 X 3/4 Panhead (need 6)
15----	12003	Zip Pull, W/Cord
16----	12242	Pull Knob, Orange
17----	427096	Removable Backpad, All Blk, Universal
18----	427189	Waistband Set, Adjustable Web, XXS
19----	427190	Waistband Set, Adjustable Web, XS
20----	427191	Waistband Set, Adjustable Web, SM
21----	427192	Waistband Set, Adjustable Web, M
22----	427194	Waistband Set, Adjustable Web, LG
23----	427195	Waistband Set, Adjustable Web, XL
24----	427103	Weight System, Complete
25----	427101	Weight Sheath, Left Side
26----	427102	Weight Sheath, Right Side

**Current Models****Discontinued Models**

Key #	Part #	Description
-------	--------	-------------

**WTX (Apeks)****WTX Harness/Deluxe Webbed Harness**

1----	10017	Traction Sleeve, Tank Band, WTX
2----	12071	D-ring, 2.0, Dull Tumbled S/S, .25 Dia, WTX/Dlx
3----	12252	Slide, 2.0, 3 Bar, S/S Serrated, WTX/Dlx
4----	12253	D-ring, 2.0, Bent, Dull Tumbled, S/S, WTX/Dlx
5----	12285	Buckle, 2.0, S/S, Cam, Heavy Duty, WTX/Dlx
6----	28228	Universal Tank Band, WTX
7----	427039	Removable Chest Strap Kit, WTX
8----	762325	Slide, Buckle, WTX/Dlx
9----	42778	Inflator Hold Down, Reflective, Black, WTX
10----	42779	Removable Backpad, WTX
11----	42780	Crotch Strap Kit, 2.0, WTX/Dlx
12----	42781	Elastic Retainer Loop, 1.0, Chest, WTX
13----	42782	Elastic Retainer Loop, 1.5, Straps, WTX/Dlx
14----	42786	Neo Sleeve, Dlx

**Wt System, Surelock, 10lb**

1----	15050	Screw, Threaded, 3/8, S/S, Male
2----	15051	Barrel, Threaded, 1/4, S/S, Female
3----	42784	Wt Pouch, 10lb. Surelock
4----	42785	Wt Holster, 10lb. Surelock

**Wt System, Surelock Attachment**

1----	15050	Screw, Threaded, 3/8, S/S, Male
2----	15051	Barrel, Threaded, 1/4, S/S, Female
3----	15128	Washer, Shoulder, 1/4, Nylon

**Bladder, WTX3, WTX4, WTX6, WTX6R, WTX8**

1----	15309	Gasket, Universal Connector
2----	44827	MP Hose, 27"
3----	15665	Cap, Universal Connector, WTX6/8
4----	42754	Dump Valve Kit, Universal
5----	42772	Apeks Airway Complete
6----	12277	Pull Knob, Nylon, Black
7----	42783	Retainer Loop
8----	42788	Bladder, Tech Wing, WTX6/8
9----	42789	Bladder, WTX 4
----	42790	Bladder, Primary, WTX 6R
----	42791	Bladder, Redundant, WTX 6R

**Zuma (Aqua Lung)**

1----	42797	Wt Pouch, 10 lb, Surelock II
2----	12235	Buckle, Female, 1.5" Airlock
3----	12261	Buckle, Male, 1.5" Airlock
4----	12017	Buckle, Male, 3/4" Airlock
5----	15309	Gasket, Universal Connector
6----	44822	MP Hose, 22", XS-MD
7----	44825	MP Hose, 25", ML-LG
8----	44827	MP Hose, 27", XL/XXL
9----	28228	Universal Tank Band
10----	12277	Pull Knob, Blk.
11----	10017	Traction Sleeve for Tank Band
12----	427072	Removable Chest Strap Kit
13----	427085	Removable Trim Pocket (5 lb/2.2 Kg)
14----	427086	Bladder Only, (22 lb/10 Ltr) XS-S/S-M
15----	427087	Bladder Only, (34 lb/15 Ltr) ML-L/XL-XXL
16----	42764	Low Profile Dump Valve Kit

Key #	Part #	Description
-------	--------	-------------

**Diva LX • Diva XLT • Diva QD • Diva (Sea Quest)**

1----	42797	Weight Pouch, 10 lb, Surelock II
2----	42767	Weight Pouch, 10 lb, Surelock
3----	42726	Weight Pouch, Universal, 10 lb
4----	12019	Clip Lock, Multi-set Waistband
5----	12235	Buckle, Female, 1.5", Airlock
6----	12024	Buckle, Female, 1.5", Standard (pre-2002)
7----	12240	Buckle, Female, 1.0", Airlock
8----	12241	Buckle, Female, 1.0", Airlock
9----	12048	Buckle, Female, 1.0" Standard (pre-2002)
10----	12088	Buckle, Male, 1.0", Standard (pre-2002)
11----	15309	Gasket, Universal Connector
12----	44822	MP Hose, 22", XS-MD
13----	44825	MP Hose, 25", ML-LG
14----	42754	Dump Valve Kit, Universal
15----	28228	Universal Tank Band
16----	12039	Accessory Hose Clip
17----	12060	Snaphook

**Latitude XLT • Latitude (Sea Quest)**

1----	42797	Weight Pouch, 10 lb XS-ML, Surelock II (XLT)
2----	42767	Weight Pouch, 10 lb, XS-ML Surelock (XLT)
3----	42726	Weight Pouch, Universal, 10 lb
4----	42798	Weight Pouch, 16 lb LG-XL, Surelock II (XLT)
5----	42768	Weight Pouch, 16 lb LG-XL, Surelock (XLT)
6----	15309	Gasket, Universal Connector
7----	42754	Dump Valve Kit, Universal
8----	28228	Universal Tank Band
9----	10017	Traction Sleeve for Tank Band (XLT)
10----	12126	Pack Cradle, Blk (XLT)
11----	12127	Pack Cradle, W/Pad Installed, Blk (XLT)
12----	15129	Bolt, 19mm Hex, Brass, Chrome/Pltd (XLT)
13----	15130	Nut, 19mm Hex, Brass, Chrome/Pltd (XLT)
14----	12241	Buckle, Male, 1.0 Airlock (XLT)
15----	15665	Cap, Universal Connector
16----	44822	MP Hose, 22" XS-MD
17----	44825	MP Hose, 25" ML-LG
18----	44827	MP Hose, 27" XL
19----	427190	Waistband Set, Adjustable Web, XS (XLT)
20----	427191	Waistband Set, Adjustable Web, SM (XLT)
21----	427192	Waistband Set, Adjustable Web, MD (XLT)
22----	427193	Waistband Set, Adjustable Web, ML (XLT)
23----	427194	Waistband Set, Adjustable Web, LG (XLT)
24----	427195	Waistband Set, Adjustable Web, XL (XLT)
25----	12247	Buckle, F, 2.0 Airlock (XLT)
26----	12248	Buckle, M, 2.0 Airlock (XLT)
27----	12235	Buckle, F, 1.5 Airlock
28----	12261	Buckle, M, 1.5 Airlock
29----	427039	Chest Strap Kit, Removable

## Discontinued Models

## Key # Part # Description

**Malibu (Aqua Lung/Sea Quest)**

1----	42726	Weight Pouch, Universal, 10 lb
2----	42754	Dump Valve Kit, Universal
3----	10017	Traction Sleeve, Universal Tank Band
4----	28228	Universal Tank Band
5----	761947	Stabilizer Strap, Cylinder
6----	12024	Buckle, Female, 1.5", Standard
7----	12037	Buckle, Male, 1.5", Standard
8----	12235	Buckle, Female, 1.5", Airlock
9----	12261	Buckle, Male, 1.5", Airlock
10----	12240	Buckle, Female, 1.0", Airlock
11----	12241	Buckle, Male, 1.0", Airlock
12----	15309	Gasket, Universal Connector
13----	44825	MP Hose, 25", XS-MD
14----	44827	MP Hose, 27", LG-XL
15----	427039	Removable Chest Strap Kit
16----	12060	Snaphook (in key pocket)
17----	088152	Cord Lock for Mesh Bag (post 9/05)

**Pacifica (Sea Quest)**

1----	15309	Gasket, Universal Connector
2----	42754	Dump Valve Kit, Universal
3----	28228	Universal Tank Band
4----	10017	Traction Sleeve for Tank Band
5----	12126	Pack Frame, Blk
6----	12127	Pack Cradle, w/ Pad Installed, Blk
7----	15129	Bolt, 19mm Hex, Brass Chrome/Pltd
8----	15130	Nut, 19mm Hex, Brass Chrome/Pltd
9----	12241	Buckle, Male, 1.0, Airlock
10----	15665	Cap, Universal Connector
11----	44822	MP Hose, 22", XS-MD
12----	44825	MP Hose, 25", ML-LG
13----	44827	MP Hose, 27", XL
14----	427096	Removable Backpad, All Blk, Universal
15----	427190	Waistband Set, Adjustable Web, XS
16----	427191	Waistband Set, Adjustable Web, SM
17----	427192	Waistband Set, Adjustable Web, MD
18----	427193	Waistband Set, Adjustable Web, ML
19----	427194	Waistband Set, Adjustable Web, LG
20----	427195	Waistband Set, Adjustable Web, XL
21----	12247	Buckle, F, 2.0, Airlock, Blk 5502100
22----	12248	Buckle, M, 2.0, Airlock, Blk 5501100

**Passport 2006-07 (Sea Quest)**

1----	42726	Weight Pouch, Universal, 10 lb
2----	15309	Gasket, Universal Connector
3----	42754	Dump Valve Kit, Universal
4----	28228	Universal Tank Band
5----	10017	Traction Sleeve for Tank Band
6----	12126	Pack Frame, Blk (2007)
7----	12127	Pack Cradle, w/ Pad Installed, Blk (2007)
8----	15129	Bolt, 19mm Hex, Brass Chrome/Pltd (2007)
9----	15130	Nut, 19mm Hex, Brass Chrome/Pltd (2007)
10----	15665	Cap, Universal Connector
11----	44822	MP Hose, 22", XS-MD
12----	44825	MP Hose, 25", ML-LG
13----	44827	MP Hose, 27", XL
14----	427097	Removable Backpad w/ Mesh Bag, (2007)
15----	427190	Waistband Set, Adjustable Web, XS (2007)
16----	427191	Waistband Set, Adjustable Web, SM (2007)
17----	427192	Waistband Set, Adjustable Web, MD (2007)
18----	427193	Waistband Set, Adjustable Web, ML (2007)
19----	427194	Waistband Set, Adjustable Web, LG (2007)
20----	427195	Waistband Set, Adjustable Web, XL (2007)
21----	12247	Buckle, F, 2.0" Airlock (2007)
22----	12248	Buckle, M, 2.0" Airlock (2007)
23----	12240	Buckle, F, 1.0" Airlock (2006)
24----	12241	Buckle, M, 1.0" Airlock (2006)
25----	427039	Removable Chest Strap Kit
26----	088152	Cord Lock

## Key # Part # Description

**Pro • Pro QD • Pro XLT (Sea Quest)**

		<i>Weight Pouches (Pro QD, Pro XLT)</i>
1----	42797	Wt Pouch, 10 lb, Surelock II, XS-ML
2----	42767	Wt Pouch, 10 lb, Surelock, XS-ML
3----	42726	Wt Pouch, 10 lb, Universal, XS-ML
4----	42798	Wt Pouch, 16 lb, Surelock II, LG-XXL
5----	42768	Wt Pouch, 16 lb, Surelock, LG-XXL (ML on XLT)
6----	42716	Wt Pouch, 16 lb, Universal, LG-XXL
7----	12235	Buckle, Female, 1.5", Airlock (Pro, Pro QD)
8----	12261	Buckle, Male, 1.5", Airlock (Pro, Pro QD)
9----	12241	Buckle, Male, 1.0", Airlock (Pro, Pro QD)
10----	12024	Buckle, Female, 1.5", Standard (pre-2002)
11----	12037	Buckle, Male, 1.5", Standard (pre-2002)
12----	12088	Buckle, Male, 1.0", Standard (pre-2002)
13----	15309	Gasket, Universal Connector
14----	44822	MP Hose, 22", XS-MD
15----	44825	MP Hose, 25", ML-LG
16----	44827	MP Hose, 27", XL/XXL
17----	28228	Universal Tank Band
18----	42754	Dump Valve Kit, Universal
19----	427040	Carry Handle Kit (large Contour Pack only)
20----	12060	Snaphook
21----	4270901	Waistband, Pro XLT, SM
22----	4270902	Waistband, Pro XLT, MD
23----	4270903	Waistband, Pro XLT, ML
24----	4270904	Waistband, Pro XLT, LG
25----	4270905	Waistband, Pro XLT, XL

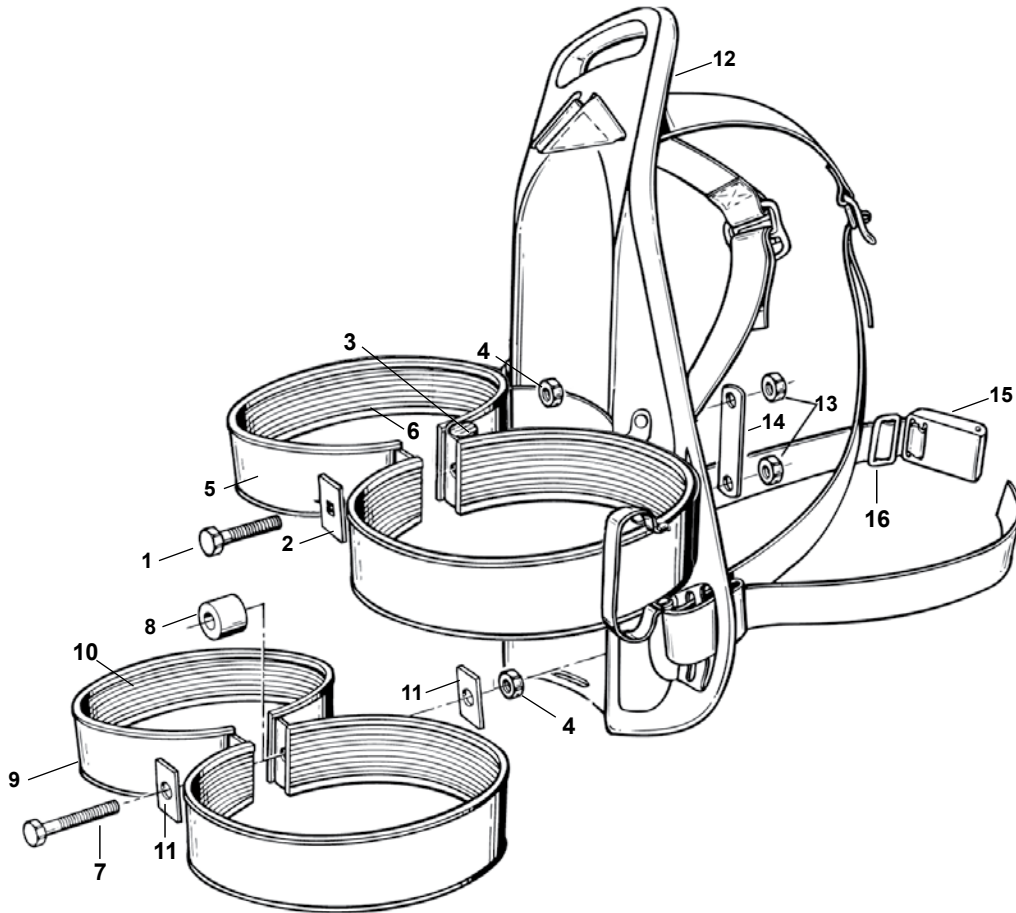
**Pro Unlimited (Sea Quest)**

1----	42797	Weight Pouch, 10 lb, Surelock II, XS-ML
2----	42767	Weight Pouch, 10 lb, Surelock, XS-ML
3----	42752	Weight Pouch, 10 lb, Deluxe, XS-ML
4----	42798	Weight Pouch, 16 lb, Surelock II, LG-XXL
5----	42768	Weight Pouch, 16 lb, Surelock, LG-XXL
6----	42751	Weight Pouch, 16 lb, Deluxe, LG-XXL
7----	12235	Buckle, Female, 1.5", Airlock
8----	12261	Buckle, Male, 1.5", Airlock
9----	12024	Buckle, Female, 1.5", Standard (pre-2002)
10----	12037	Buckle, Male, 1.5", Standard (pre-2002)
11----	12060	Snaphook
12----	12114	Batten, Adjustable Lumbar System
13----	15309	Gasket, Universal Connector
14----	16317	Nut, Squeeze Lock Knife
15----	16319	Screw, Metric, Squeeze Lock Knife (July '04)
16----	16320	Nut, Metric, Squeeze Lock Knife
17----	44822	MP Hose, 22", SM-MD
18----	44825	MP Hose, 25", ML-LG
19----	44827	MP Hose, 27", XL-XXL
20----	28228	Universal Tank Band
21----	42754	Dump Valve Kit, Universal
22----	12019	Clip Lock, Multi-set Waistband
23----	41952	Knife Hose Mount Kit, Squeeze Lock Knife
24----	427040	Carry Handle Kit (large Contour Pack only)
25----	427039	Chest Strap Kit, Removable

## Discontinued Models

Key #	Part #	Description	Key #	Part #	Description
<b>Spectrum 1 (Sea Quest)</b>			<b>Wave • Wave Jr. (Aqua Lung)</b>		
1----	15309	Gasket, Universal Connector	1----	42754	Dump Valve Kit, Universal
2----	12024	Buckle, Female, 1.5"	2----	10017	Traction Sleeve, Tank Band
3----	12039	Accessory Hose Clip	3----	088107	Traction Pad, Slotted
4----	12048	Buckle, Female, 1.0"	4----	28228	Universal Tank Band
5----	12088	Buckle, Male, 1.0"	5----	427041	Removable Back Pad
6----	12060	Snaphook	<i>Wave with Fabric Channels (after July '04)</i>		
7----	44822	MP Hose, 22" (XS, SM, MD)	6----	427020	Waistband w/Strap, XS, 41"
8----	44825	MP Hose, 25" (ML, LG)	7----	427021	Waistband w/Strap, SM, 43"
9----	44827	MP Hose, 27" (XL)	8----	427022	Waistband w/Strap, MD, 47"
10----	28228	Universal Tank Band	9----	427024	Waistband w/Strap, LG, 52"
11----	42754	Dump Valve Kit, Universal	10----	427025	Waistband w/Strap, XL, 55"
12----	12240	Buckle, Female, 1.0", Airlock	<i>Wave with Web Channels</i>		
13----	12241	Buckle, Male, 1.0", Airlock	11----	427050	Waistband, XS, 41"
14----	427033	Backpad Kit, LG-XXL	12----	427051	Waistband, SM, 43"
15----	427034	Backpad Kit, XS-ML	13----	427052	Waistband, MD, 47"
<i>Optional Upgrades</i>			14----	427054	Waistband, LG, 52"
16----	427031	Waistband Expander for 4" to 5.5" wide band (adds up to 8" in length)	15----	427055	Waistband, XL 55"
17----	427032	Waistband Expander Slim for 3" wide band (adds up to 8" in length)	16----	12090	Backpack (one size fits all)
<b>Wave • Wave Jr. 2007 (Sea Quest)</b>			17----	15309	Gasket, Universal Connector
1----	15309	Gasket, Universal Connector	18----	15665	Cap, Universal Connector
2----	42754	Dump Valve Kit, Universal	19----	44827	MP Hose, 27"
3----	28228	Universal Tank Band	20----	12048	Buckle, Female, 1.0" (pre-2002)
4----	10017	Traction Sleeve for Tank Band	21----	12088	Buckle, Male, 1.0" (pre-2002)
5----	12126	Pack Frame, Blk	22----	12240	Buckle, Female, 1.0", Airlock (2002)
6----	12127	Pack Cradle, w/ Pad Installed, Blk	23----	12241	Buckle, Male, 1.0", Airlock (2002)
7----	15129	Bolt, 19mm Hex, Brass Chrome/Pltd	<i>Wave Jr. Part Only</i>		
8----	15130	Nut, 19mm Hex, Brass Chrome/Pltd	24----	427056	Tank Band, 30 cu.ft. Cyl. (Jr. version)
9----	12241	Buckle, Male, 1.0, Airlock	25----	44822	MP Hose, 22"
10----	15665	Cap, Universal Connector	26----	427057	Crotch Strap Kit (Jr. version only)
11----	44822	MP Hose, 22" (Jr.)	27----	42718	Weight Pouch, 6 lb, Grey Handle (Jr. version)
12----	44827	MP Hose, 27" XS-XL	<b>Miscellaneous</b>		
13----	427096	Removable Backpad, Wave/Pacifica, Unv	1----	42611	BC Puncture Repair Kit
14----	427189	Waistband Set, Adjustable Web, Jr.	2----	42705	BC Bag
15----	427190	Waistband Set, Adjustable Web, XS	3----	42738	Pull Dump Cord (25')
16----	427191	Waistband Set, Adjustable Web, SM			
17----	427192	Waistband Set, Adjustable Web, MD			
18----	427193	Waistband Set, Adjustable Web, ML			
19----	427194	Waistband Set, Adjustable Web, LG			
20----	427195	Waistband Set, Adjustable Web, XL			
21----	12247	Buckle, F, 2.0, Airlock, Blk			
22----	12248	Buckle, M, 2.0, Airlock, Blk			
<i>Wave Jr. (2007) Part Only</i>					
23----	42718	Weight Pouch, 6 lb, Grey Handle			
24----	427056	Tank Band, 30 cu.ft. Cyl. (Jr. version)			

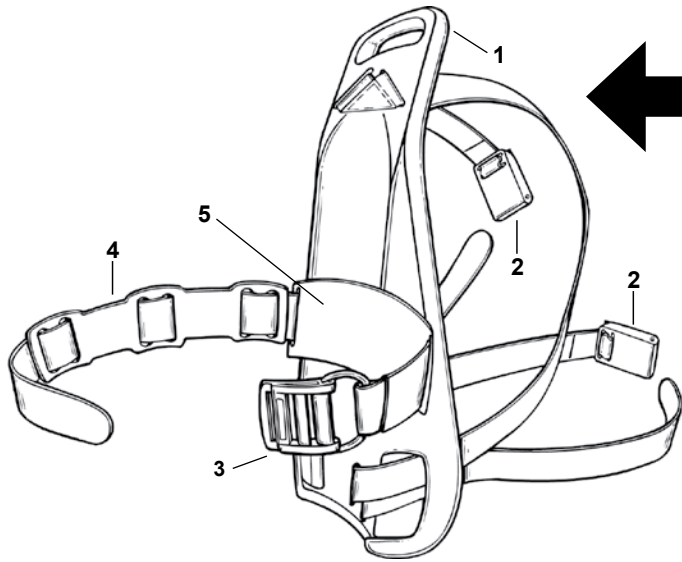
## Mariner Twin Backpack



Key #	Part #	Description
----	083400	Mariner Twin Back Pack
1----	838032	Bolt, Hex, .3125-18x3"
2----	082304	Plate, Back-up
3----	082923	Spacer
4----	852021	Nut, Hex, 5/16-18
5----	083401	Band, Top, 7.25"
6----	082940	Cover, Non-slip
7----	838031	Bolt, Hex, .312-18x4"
8----	082729	Spacer, 1" x 2", Blk Nylon
9----	083410	Band, Bottom, 7.25"
10----	081240	Cover, Non-slip
11----	081245	Plate, Back-up
12----	082801	Frame
13----	852014	Nut, #10-32, Brass
14----	081810	Brace
15----	10081	Buckle Cam
16----	762325	Slide, Buckle

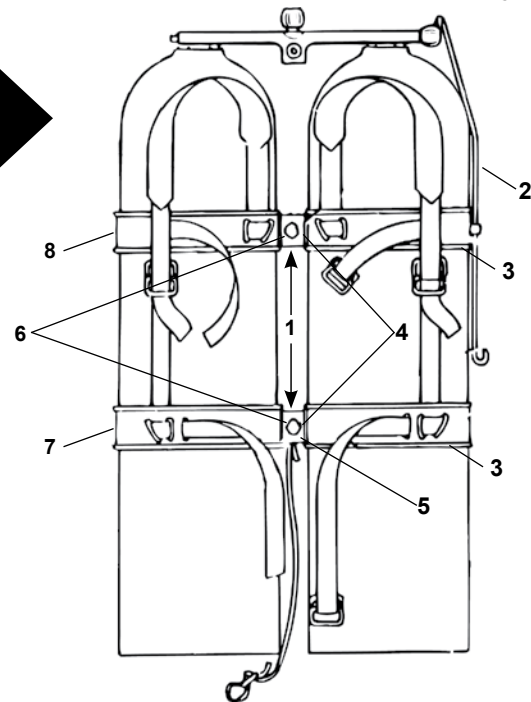
## Kam Pac • Twin Harness • Military BC

### MARINER KAM PAC (088150)



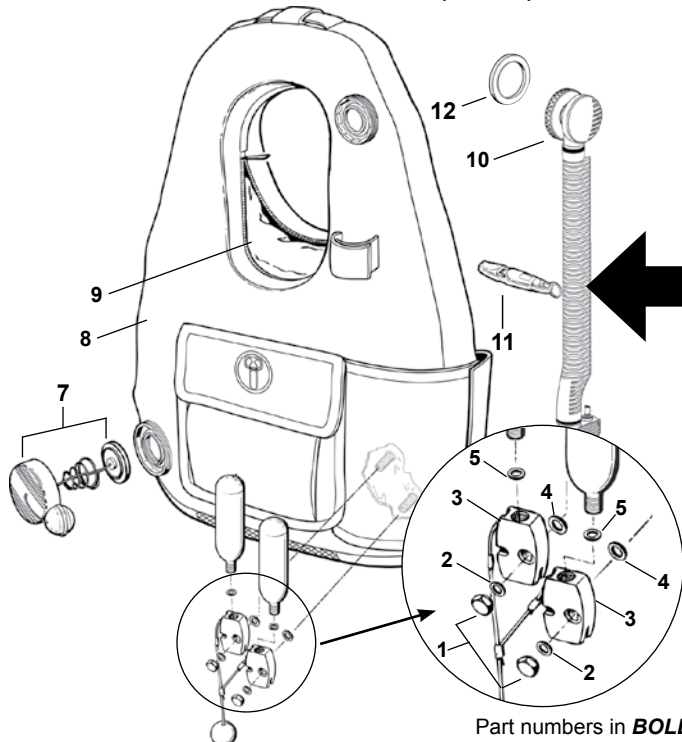
Key #	Part #	Description
1	088110	Frame
2	10081	Buckle Cam
3	28228	Universal Tank Band
4	10017	Traction Sleeve, Tank Band
5	088107	Traction Pad, Slotted
N/S	088151	Non-slip Lanyard

### TWIN HARNESS ASSEMBLY (for 7.25" cylinders)



Key #	Part #	Description
-----	082700	7.25" Harness Assembly, Complete
-----	081215	Strap Kit
1	081245	Back-up Plate
2	074305	Reserve Pull Rod
3	081240	Cover, Non-slip
4	838031	Bolt, Hex, .312-18x4"
5	082729	Spacer, 1"x2". Blk Nylon
6	852021	Hex Nut
7	082723	Band, Bottom
8	082721	Band, Top

### CALYPSO MILITARY BC (394050)



Key #	Part #	Description
1	13216	Cap Nut
2	<b>15737</b>	<b>Gasket</b>
3	13207	Firing Mechanism, W/O Ball & Cord
4	<b>15738</b>	<b>Gasket</b>
5	<b>704014</b>	<b>Gasket, CO<sub>2</sub> Cartridge</b>
6	13220	CO <sub>2</sub> Cartridge, 38 gram
7	42754	Overpressure Relief Valve Assembly
8	4394051	Outer Bag
9	394052	Inner Bladder
10	42746	Powerline Airway Assy
11	12219	Whistle
12	<b>15309</b>	<b>Gasket</b>

Part numbers in **BOLD ITALICS** indicate standard overhaul replacement part.

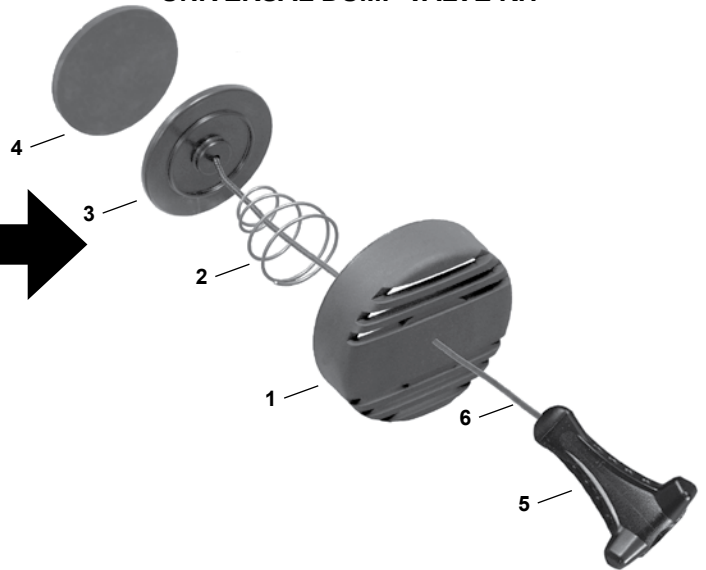
## Cap-Off • Dump Valve Kits • CO2 Assembly

### CAP-OFF



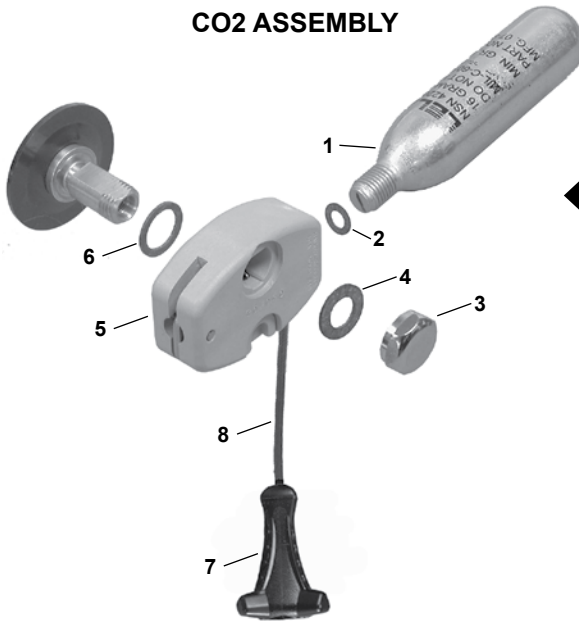
Key #	Part #	Description
1----	<b>15309</b>	<b>Gasket, Connector Seal</b>
2----	15665	Cap, Connector, Acme Thread

### UNIVERSAL DUMP VALVE KIT



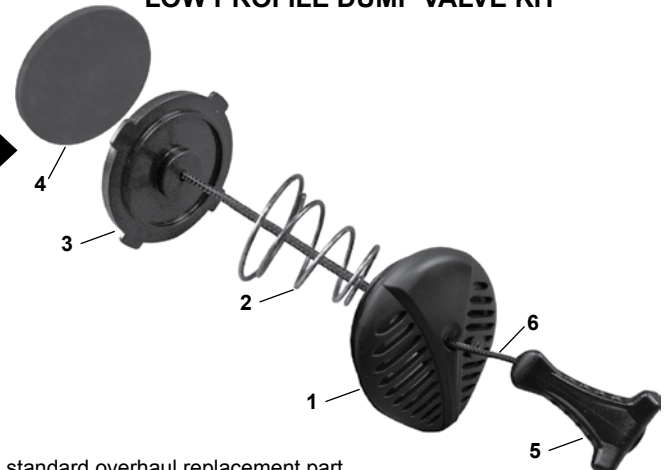
Key #	Part #	Description
----	42754	Universal Dump Valve Kit, Acme Thread
1----	10079	Cap, Over Pressure
2----	15617	Spring
3----	15650	Plate
4----	<b>15604</b>	<b>Seal</b>
5----	12277	Pull Knob
6----	42738	Pull Dump Cord (25')

### CO2 ASSEMBLY



Key #	Part #	Description
1----	13211	CO2 Cartridge, 16 gram
2----	<b>704014</b>	<b>Gasket</b>
3----	13216	Nut
4----	<b>15737</b>	<b>Nut Gasket</b>
5----	13207	Detonator
6----	<b>15738</b>	<b>Base Gasket</b>
7----	12277	Pull Knob
8----	42738	Pull Dump Cord (25')

### LOW PROFILE DUMP VALVE KIT



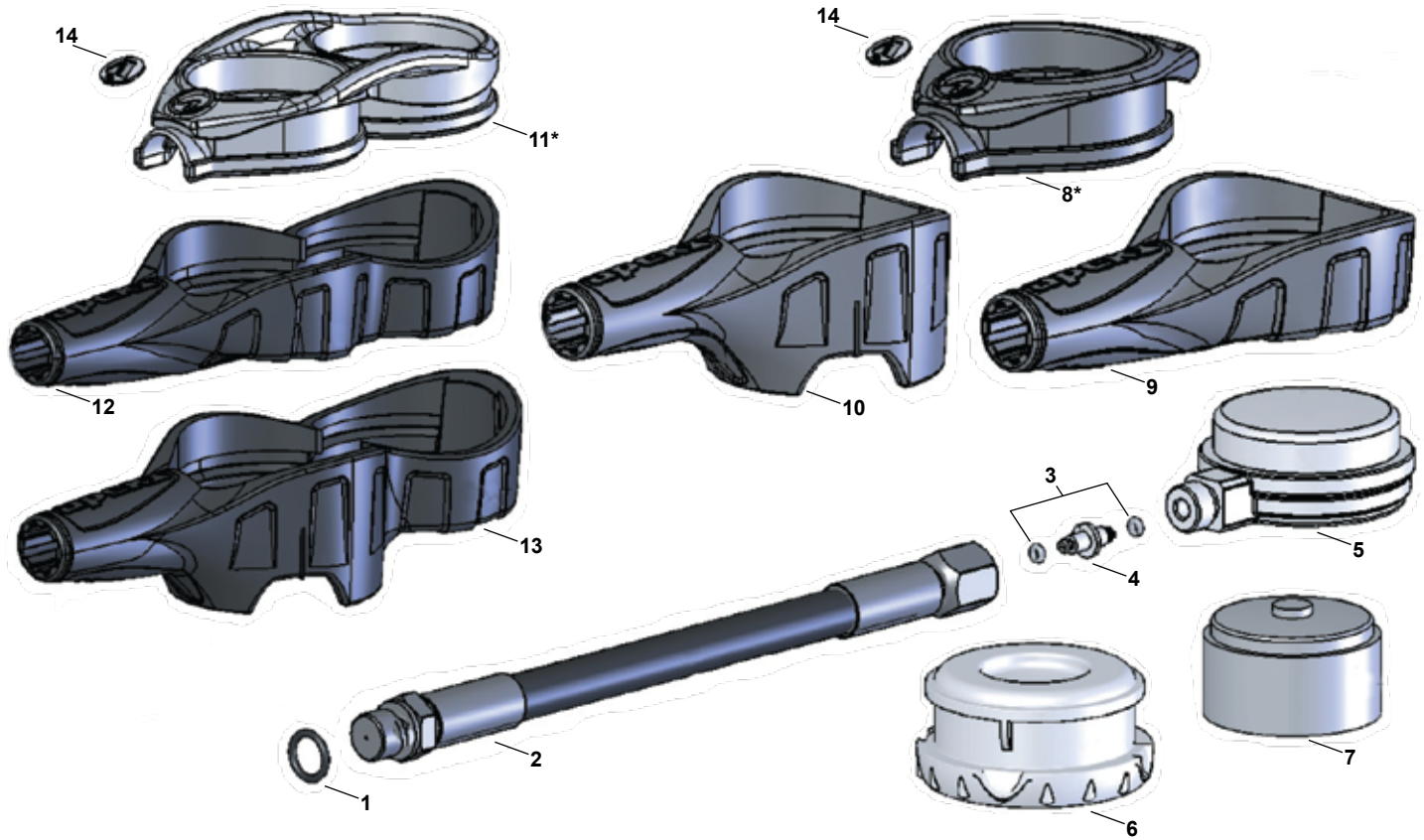
Key #	Part #	Description
----	42764	Dump Valve Kit, Low Profile
1----	15441	Cap, Low Profile, Blk
2----	15617	Spring
3----	15442	Seal Plate, Low Profile
4----	<b>15443</b>	<b>Seal, Low Profile</b>
5----	12277	Pull Knob
6----	42738	Pull Dump Cord (25')

Part numbers in **BOLD ITALICS** indicate standard overhaul replacement part.

## Apeks Analog Instruments

\*NOTE: The bezel #11, will only fit on boots #12 and #13.

\*NOTE: The bezel #8, will only fit on boots #9 and #10.

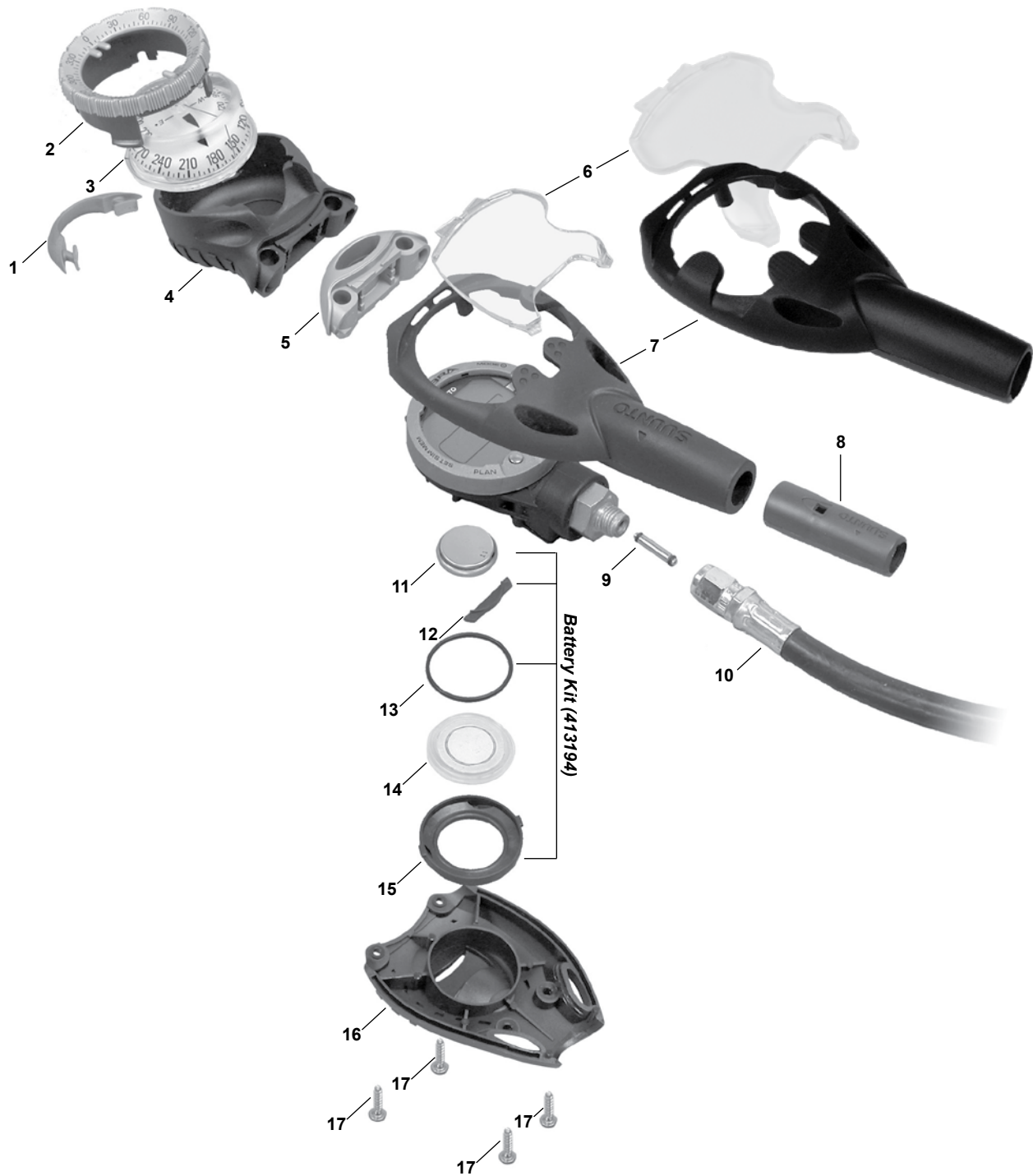


Key #	Part #	Description
-------	--------	-------------

- |    |                |                              |
|----|----------------|------------------------------|
| 1  | <b>AP1445P</b> | <b>O-ring (10 pk)</b>        |
| 2  | AP7610         | HP Hose, 800mm               |
| 3  | <b>AP1157P</b> | <b>O-ring (10 pk)</b>        |
| 4  | AP522002P      | HP Spool w/no O-rings (5 pk) |
| 5  | AP5745         | SPG, Module, Brass, 5000 psi |
| 6  | AP5706         | Compass, Module              |
| 7  | AP5746         | Depth Gauge, Module, 230 ft  |
| 8  | AP5702         | Bezel, Pewter                |
| 9  | AP5701         | Boot, SPG only               |
| 10 | AP5731         | Boot, 2-Gauge, SPG/Cmps      |
| 11 | AP5703         | Bezel, 2-Gauge, Pewter       |
| 12 | AP5704         | Boot, SPG/Depth              |
| 13 | AP5705         | Boot, SPG/Depth/Cmps         |
| 14 | AP7596B        | Logo, Insert, Blk            |

Part numbers in **BOLD ITALICS** indicate standard overhaul replacement part.

### Cobra 3 • Cobra 2 • Cobra

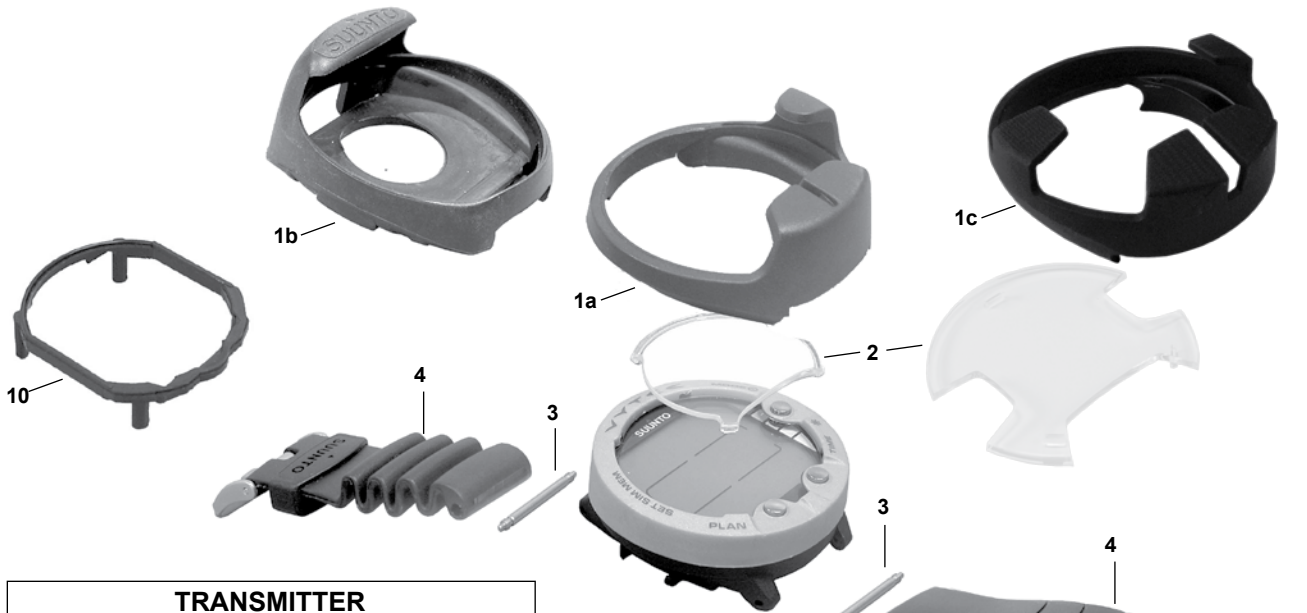


Key #	Part #	Description
N/S	---	Owners manual available at <a href="http://www.aqualung.com">www.aqualung.com</a>
----	<b>413194</b>	<b>Battery Kit (Includes items 11, 12, 13, 15)</b>
----	14553	Module, Cobra 3
----	V5876	Module, Cobra
1----	V6281	Hook
2----	6310	Bezel, SK7, w/Friction Ring
3----	413173	Module, Compass, SK7
4----	K5459	Boot, Compass, SK7, CB71
5----	14411	End Cap, Blue
----	413205	End Cap
6----	413204	Shield, Display, Cobra
----	13145	Shield, Display, Cobra 3/2

Part numbers in **BOLD ITALICS** indicate standard overhaul replacement part.

Key #	Part #	Description
7----	14410	Boot, Front, Cobra 3
----	12780	Boot, Front, Cobra 2
----	413206	Boot, Front, Cobra
8----	5506	Hose Protector (2 pack)
9----	<b>730486</b>	<b>Air Spool, SPG, w/O-rings, Single</b>
10----	102023	Hose, HP, 7/16 x 38
11----	<b>NLA</b>	<b>Battery</b>
12----	<b>413195</b>	<b>Spacer, Battery</b>
13----	<b>NLA</b>	<b>O-ring</b>
14----	413196	Cover, Battery, w/Beeper
15----	<b>413197</b>	<b>Ring, Retaining, Battery Cover</b>
16----	413207	Back Cover, Cobra Boot
17----	413208	Screw, Cobra Boot (4 required)

Helo2 • Vyper Air • Vytec • Vyper 2 • Vyper • Zoop • Gekko • Transmitter

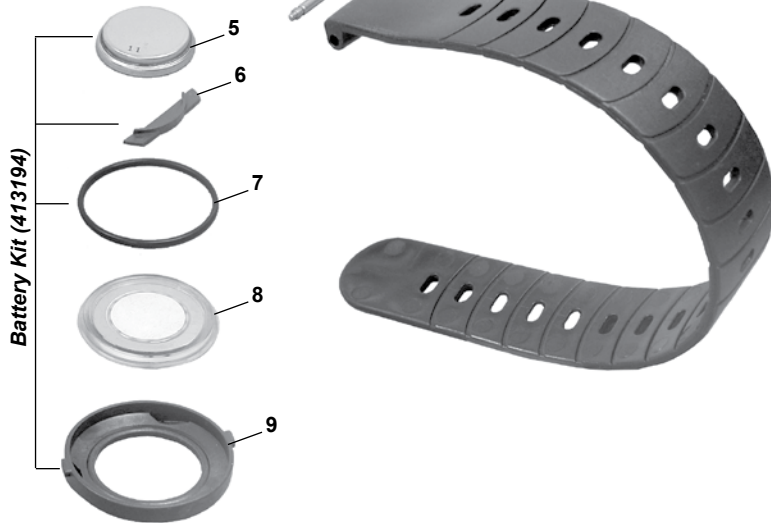


**TRANSMITTER**

**Battery Kit (413100)**

**Key # Part # Description**

----	<b>413100</b>	<b>Battery Kit (includes items 11, 12, 13, 14)</b>
11 ----	V5824	Cap
12 ----	NLA	O-ring
13 ----	NLA	Battery, 1/2AA Lithium, 3v
14 ----	957004P	O-ring, HP (25 pk)
15 ----	K5542	Screw (4 required)



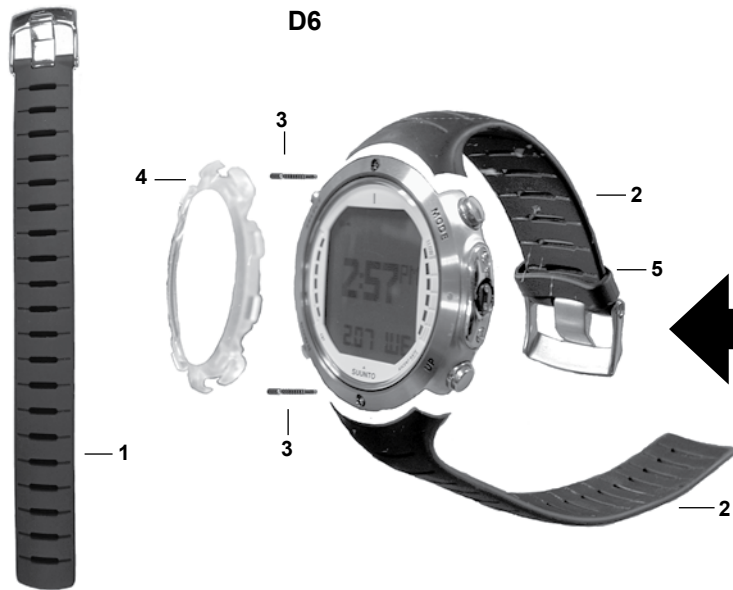
**Key # Part # Description**

- N/S --- Owners manual available at [www.aqualung.com](http://www.aqualung.com)
- **413194** **Battery Kit (includes items 5, 6, 7 & 9)**
- 14979 Module, Vyper Air
- 5404M Module, Vyper
- 16425 Module, Zoop, Orange
- 1a ---- K5534 Boot, Wrist, Vytec TN6
- 1b ---- 413168 Boot, Wrist, Vyper
- 1c ---- 131380 Boot, Wrist, Vyper Air/2
- N/S --- 14517 Boot, Wrist, Hel02
- 2 ---- 413202 Shield, Display, Zoop, Gekko, Vytec, Vyper
- 131260 Shield, Display, Vyper Air/2, Hel02
- 3 ---- 413191 Spring Bar
- 4 ---- 413167 Strap, Wrist, Helo2, Vyper (incl. 2 spring bars)
- N/S --- 13194 Strap, Wrist, Vyper Air/2 (no spring bars)
- 5 ---- NLA Battery**
- 6 ---- 413195 Spacer, Battery**
- 7 ---- NLA O-ring**
- 8 ---- 413196 Cover, Battery, w/Beeper
- N/S --- 14512 Cover, Battery, Hel02
- 9 ---- 413197 Ring, Retaining, Battery Cover**
- 10 ---- 413166 Adapter, Console (CB52)

Part numbers in **BOLD ITALICS** indicate standard overhaul replacement part.

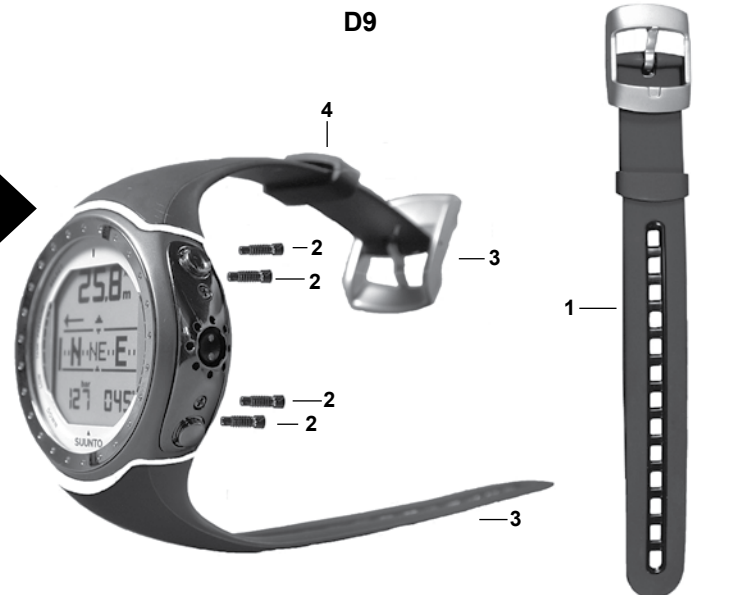
D4 • D6 • D9

Key #	Part #	Description
1-----	13386	Strap Extension, Black, D4
-----	14014	Strap Extension, Blue, D4
-----	14015	Strap Extension, Yellow, D4
-----	14016	Strap Extension, Pink, D4
-----	14518	Strap Extension, Red, D4
2-----	13586	Strap Kit w/Screws & Ext Strap, Black
-----	14011	Strap Kit w/Screws & Ext Strap, Blue
-----	14012	Strap Kit w/Screws & Ext Strap, Yellow
-----	14013	Strap Kit w/Screws & Ext Strap, Pink
-----	14436	Strap Kit w/Screws & Ext Strap, Red
3-----	13400	Strap Loop, D4
N/S-----	13587	Display Guard, Stick On



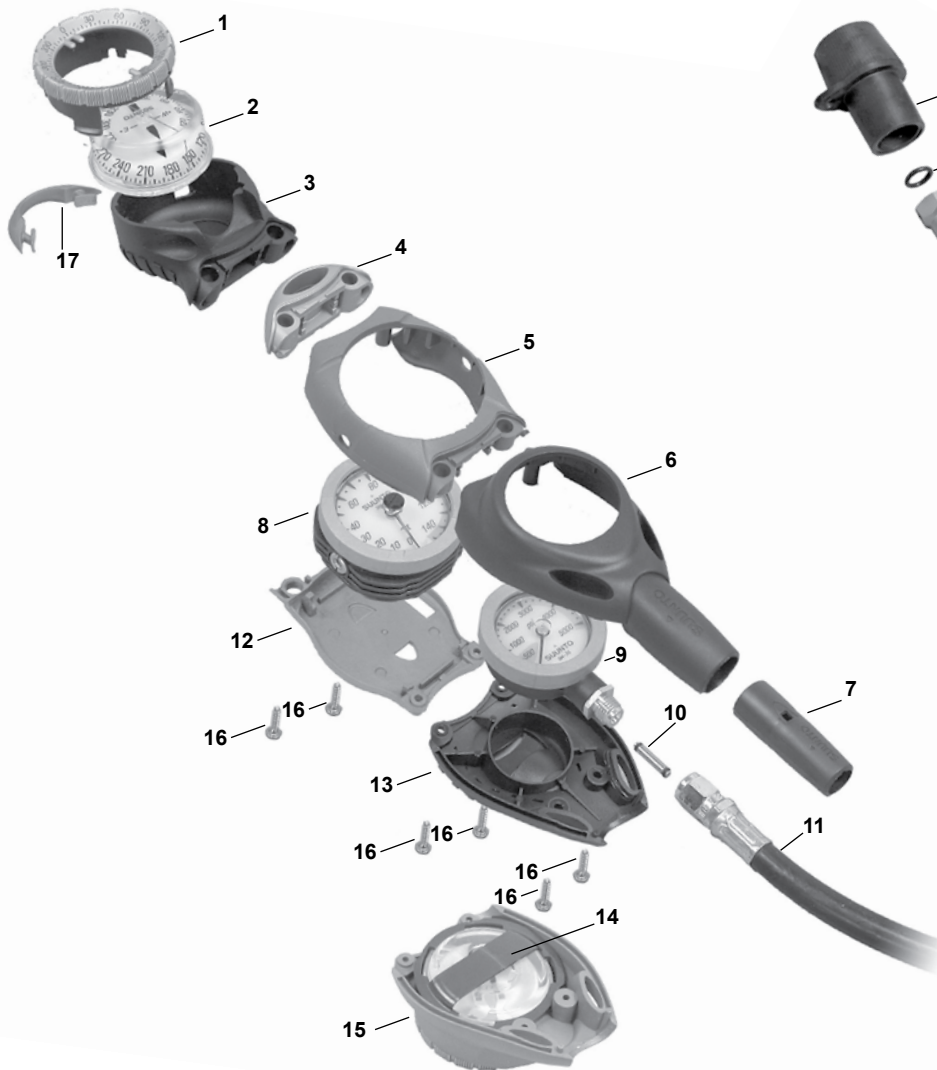
Key #	Part #	Description
1-----	11996	Strap Extension, D6
2-----	12606	Strap with screws, D6
3-----	11986	Screw, strap, D6
4-----	12605	Display shield with retainer ring, D6
5-----	120850	Strap Loop, D6
N/S-----	13525	Bracelet, Stainless Steel, D6
N/S-----	13587	Display Guard, Stick On

Key #	Part #	Description
1-----	11244	Strap extension, D9
2-----	11130	Screw, strap, D9
3-----	11415	Strap with screws, D9
4-----	11120	Strap Loop, D9
N/S-----	120413	Bracelet, Titanium, D9
N/S-----	13542	Kit, Ti Links (2), D9
N/S-----	13587	Display Guard, Stick On

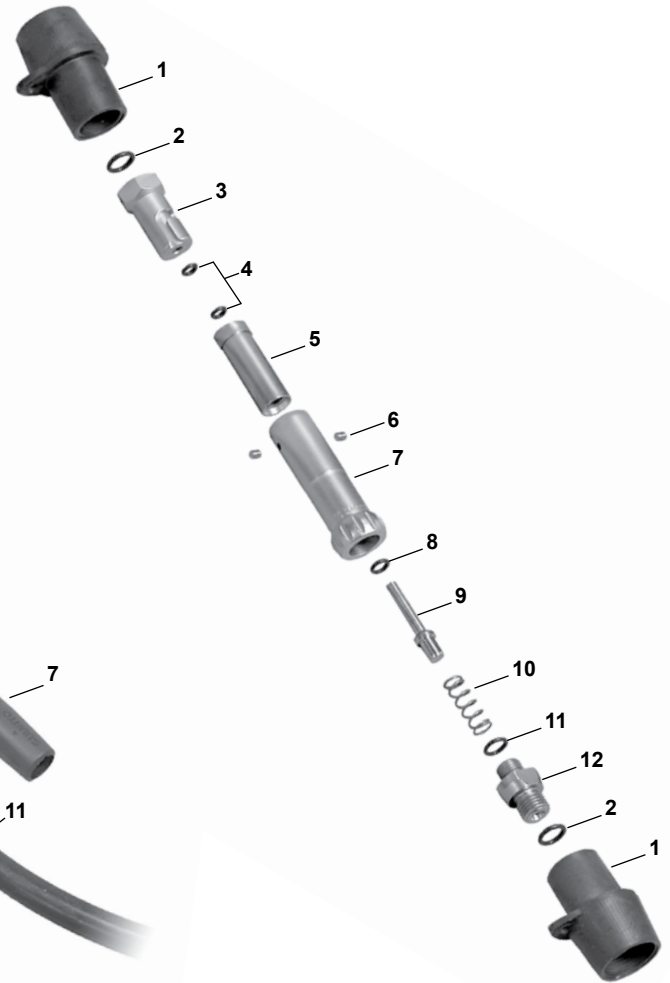


## Suunto CB Console • Quick Disconnect

### CB CONSOLE



### QUICK DISCONNECT



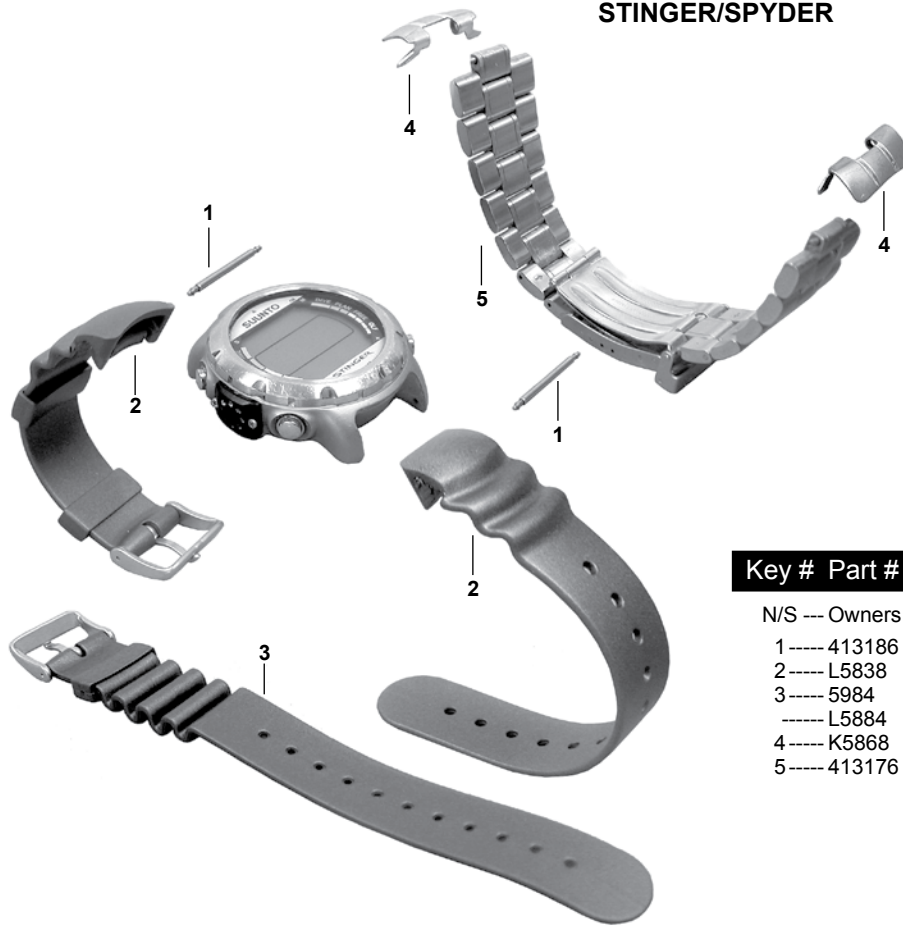
Key #	Part #	Description
----	5237	Boot Kit, CB1 (includes 4, 6, 7, 13, 16)
----	5236	Boot Kit, Inline (includes 5, 12, 16)
1----	6310	Bezel Kit, SK7 End Mount
2----	413173	Compass Module, SK7
3----	K5459	Boot, SK7 Endmount
4----	413205	End Cap
5----	NLA	Housing, Inline Boot
6----	NLA	Housing, CB1 Boot
7----	5506	Hose Protector (2 pack)
8----	41128	Module, Depth Gauge, 150'
----	V5306	Module, Depth Gauge, 230'
9----	41175	SPG, Imperial, 5000 PSI
<b>10----</b>	<b>730486</b>	<b>Air Spool, SPG, w/O-rings, Single</b>
11----	102023	Hose, HP, 7/16 x 38
12----	NLA	Backplate, Inline Boot
13----	K5200	Backplate, CB1 Boot
14----	6311	Bezel Kit, SK7, Backmount
15----	K5201	Boot, SK7, Backmount
16----	413208	Screw
17----	V6281	Clip, End Mount

Key #	Part #	Description
1----	V5887	Plug, Rubber (single)
<b>2----</b>	<b>957004P</b>	<b>O-ring, HP (25 pk)</b>
3----	5505	QR Fitting, Male
<b>4----</b>	<b>K5168</b>	<b>O-ring, Internal (2 required)</b>
5----	NLA	HP Housing
6----	NLA	Pin, Retaining
7----	NLA	QR Fitting, Female
<b>8----</b>	<b>K5172</b>	<b>O-ring, Valve Pin</b>
9----	NLA	Valve Pin
10----	NLA	Spring
<b>11----</b>	<b>K5166</b>	<b>O-ring</b>
12----	NLA	Fitting, HP

Part numbers in **BOLD ITALICS** indicate standard overhaul replacement part.

# Stinger • Spyder • Mosquito • D3

## STINGER/SPYDER



Key #	Part #	Description
-------	--------	-------------

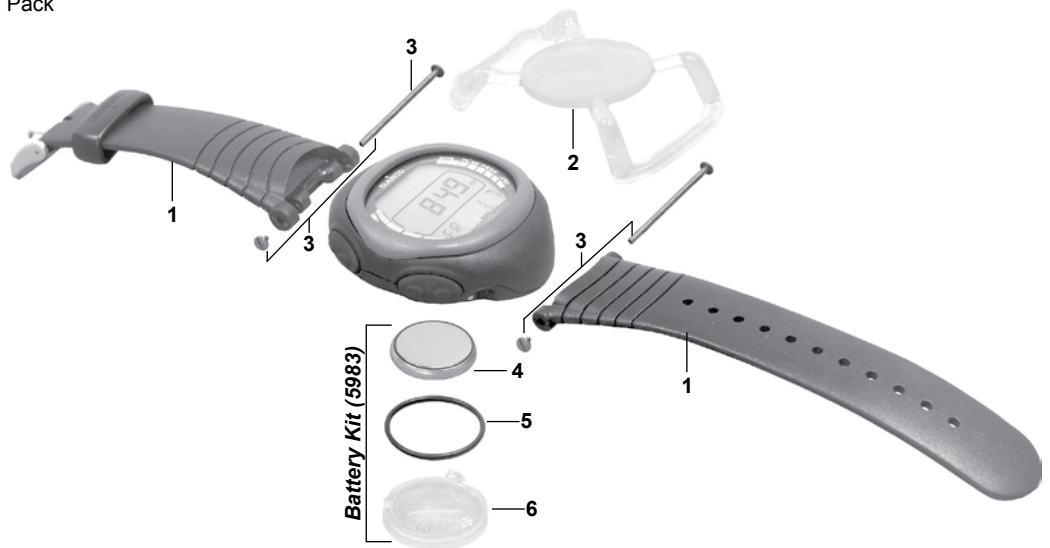
N/S --- Owners manual available at [www.aqualung.com](http://www.aqualung.com)

- |   |        |   |
|---|--------|---|
| 1 | 413186 | Spring Bar, Stinger/Spyder                      |
| 2 | L5838  | Strap, Elastomer, Grey (incl. ext strap)        |
| 3 | 5984   | Strap, Extension, Black                         |
|   | L5884  | Strap, Extension, Grey                          |
| 4 | K5868  | End Piece, Bracelet, Silver                     |
| 5 | 413176 | Bracelet, Gold/Silver (incl. end pieces & pins) |

Key #	Part #	Description
-------	--------	-------------

- N/S --- Owners manual available at [www.aqualung.com](http://www.aqualung.com)
- |     |             |  |
|-----|-------------|--|
|     | <b>5983</b> | <b>Battery Kit, Mosquito/D3 (includes 4, 5, 6)</b> |
| 1   | S5001       | Strap, Elastomer, Mosquito/D3 w/pins (3)           |
| 2   | 5501        | Display Shield, 2 Pack                             |
| 3   | K4515       | Pin, Qty 1   |
| 4   | <b>NLA</b>  | <b>Battery</b>                                     |
| 5   | <b>NLA</b>  | <b>O-ring</b>                                      |
| 6   | <b>NLA</b>  | <b>Battery Cover</b>                               |
| N/S | 5984        | Strap, Extension                                   |

## MOSQUITO/D3



Part numbers in **BOLD ITALICS** indicate standard overhaul replacement part.

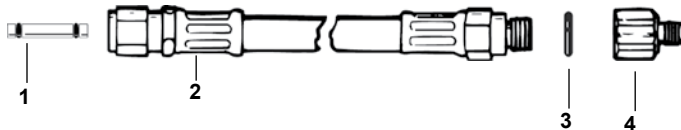
## Hose Mounts • Compass Wrist Boot • Straps • Miscellaneous

### VYPER HOSE MOUNT (Vytec, Vyper, Gekko)



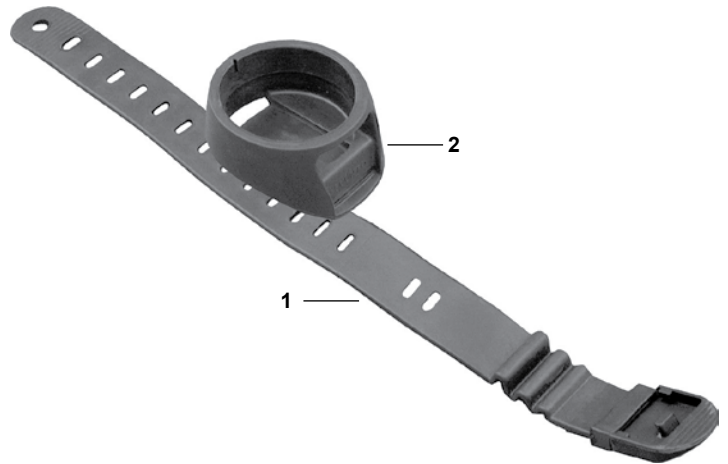
Key #	Part #	Description
1----	413190	Hose Mount Kit, Vytec/Vyper/Gekko
2----	413141	Screw, Hose Mount Clamp

### HP HOSE



Key #	Part #	Description
1----	730486	Air Spool, with O-rings
2----	102023	Hose, HP, 7/16 x 38
3----	957004P	O-ring, HP (25 pk)
4----	101785	Adapter, HP, 7/16" Female to 3/8" Male

### SK7 WRIST BOOT



Key #	Part #	Description
1----	413138	Strap, Wrist, Rubber
2----	413171	Boot, Hosemount or Wrist, SK7

### MISCELLANEOUS PARTS (not shown)

Key #	Part #	Description
1----	413109	Boot, SPG, Strap Style
2----	413149	Screws, Backplate, Wrist Gauge, (4 pk)
3----	745930	Retractor Kit, Suunto Computers
4----	413203	Retractor, SK7, without Compass
5----	413210	Plate, Retractor (for add on SK7)
6----	413147	Backplate (Favor S)
7----	413138	Wrist Strap (Favor S)
8----	413174	Bezel (SK7)
9----	413188	Friction Ring (SK7)
10----	413173	SK7 Compass Module
11----	413139	Wrist Strap, Nylon (SK6)

### BATTERY KITS (not shown)

Key #	Part #	Description
1----	413194	BatteryKit(VytecDS/Vytec/Cobra2/Cobra/Vyper 2 / Vyper / Zoop / Gekko)
2----	413100	Battery Kit (Vytec / D9 Transmitter)
3----	5983	Battery Kit (Mosquito / D3)
4----	413165	Battery Kit (Eon / Favor Air)
5----	413164	Battery Kit 3v (Favor / Companion)
6----	413163	Battery Kit 3.6v (Solution / Fusion / Favor Lux)

## Masks • Snorkels

### Aqua Lung Mask Parts

Key #	Part #	Description
<b>Seal</b>		
1 ----	220312	Strap, Clear, Seal Mask
2 ----	220313	Strap, Black, Seal Mask
<b>Tyke / Mythos / Falco</b>		
1 ----	502537	Strap, Clear w/Retainers
2 ----	502538	Strap, Black w/Retainers
<b>Quartz</b>		
1 ----	502527	Strap & Buckle Assembly, Black
2 ----	502521	Strap & Buckle Assembly, Clear
3 ----	502514	Strap, Silicone, Clear
4 ----	504652	Retainer, Strap, Quartz/Cortez
5 ----	502528	Buckle Assembly
<b>Look 2/Favola / Micro / Infinity / Teknika</b>		
1 ----	502537	Strap, Clear w/ Retainers
2 ----	502538	Strap, Black w/ Retainers
3 ----	505565	Buckle, Cardanic, pair
4 ----	503795	Lens Retainer, Right, Look 2
5 ----	503796	Lens Retainer, Left, Look 2
<b>Look</b>		
1 ----	503629	Buckle, Left
2 ----	503628	Buckle, Right
3 ----	42457	Strap, Silicone, Clear
4 ----	42411	Retainer, Strap, Black
<b>Hawaii</b>		
1 ----	502503	Buckle, Hawaii 1&2
2 ----	502514	Strap, Silicone, Clear
3 ----	502524	Strap, Silicone, Black
4 ----	502522	Retainer, Strap, Black
5 ----	502506	Lens Retainer, Left, Hawaii 2
6 ----	502505	Lens Retainer, Right, Hawaii 2
7 ----	502739	Gasket, Lens, Left, Hawaii 4
8 ----	502738	Gasket, Lens, Right, Hawaii 4
<b>Maui</b>		
1 ----	502514	Strap, Silicone, Clear
2 ----	502524	Strap, Silicone, Black
3 ----	502522	Retainer, Strap, Black
<b>Wraparound</b>		
1 ----	502608	Buckle, Left & Right, Black Metal
2 ----	507709	Strap, Silicone, Black
3 ----	507708	Strap, Silicone, Clear
4 ----	502611	Purge Valve w/ Retainer
5 ----	502522	Retainer, Strap, Black
<b>Pacifica / Atlantis</b>		
1 ----	503605	Buckle, Left & Right
2 ----	507709	Strap, Silicone, Black
3 ----	507708	Strap, Silicone, Clear
4 ----	15852	Purge Valve (Pacifica)
5 ----	502522	Retainer, Strap, Black
<b>Mask Boxes</b>		
1 ----	505020	Box, Plastic, Hawaii/Quartz/Cortez

### Sea Quest Mask Parts

Key #	Part #	Description
1 ----	42457	Strap, Idea
2 ----	42410	Strap, Ventura, Black
3 ----	42411	Retainer, Strap, Ventura

### AQUA LUNG SNORKEL PARTS



### Impulse Snorkels

Key #	Part #	Description
1 ----	734407	Keeper, Impulse 1,2 or 3
2 ----	105838	Comfo-Bite Mouthpiece, Std, Impulse 1,2 or 3
-----	105848	Comfo-Bite Mouthpiece, Sm, Impulse 1,2 or 3
-----	734409	Comfo-Bite Mouthpiece, Std, Blk, Impulse 1,2 or 3
3 ----	100122	Purge Valve Diaphragm, Impulse 1,2 or 3
4 ----	734408	Flex Section, Clear, Impulse 3 only
-----	734411	Flex Section, Blk, Impulse 3 only

### Snap Snorkels

Key #	Part #	Description
N/S ---	734333	Keeper, Snap Snorkel

### Sea Quest Snorkels

Key #	Part #	Description
1 ----	105838	Mouthpiece, Sidedraft
2 ----	15852	Purge valve, Sidedraft
3 ----	734332	Snorkel Keeper, Silicone

## Fins • Knives

## Aqua Lung Fin Parts

Key #	Part #	Description
1----	622695-R	Strap/Buckle Assembly, Right, Hands-Free, Blades 2
2----	622695-L	Strap/Buckle Assembly, Left, Hands-Free, Blades 2
3----	622690	Strap/Buckle Assembly, V-Tek
4----	622680	Strap/Buckle Assembly, All AQ Fins (except V-Tek)
5----	621502	Strap, Rocket or Compro, for Wire Buckles
6----	621132	Strap, Rocket Fin II
7----	621131	Buckles, Metal, Rocket Fin II (1 pair)
8----	622600	ESBS Strap/Buckle Assembly, Red (1-strap w/2 Buckles)
-----	622605	ESBS Strap/Buckle Assembly, Blue (1-strap w/2 Buckles)
-----	622610	ESBS Strap/Buckle Assembly, Silver (1-strap w/2 Buckles)
9----	62911	Strap, Hotshot
10----	62587	Powerbands, Spare, Red (2-pieces),Slingshot
-----	62588	Powerbands, Spare, Silver (2-pieces),Slingshot
-----	62589	Powerbands, Spare, Blue (2-pieces),Slingshot

## Sea Quest Fin Parts

Key #	Part #	Description
1----	42454	Strap, Idea Fin
2----	622680	Strap/Buckle Assembly, Idea Fin
3----	42458	Strap/Buckle Assembly, Thruster/Accelerator

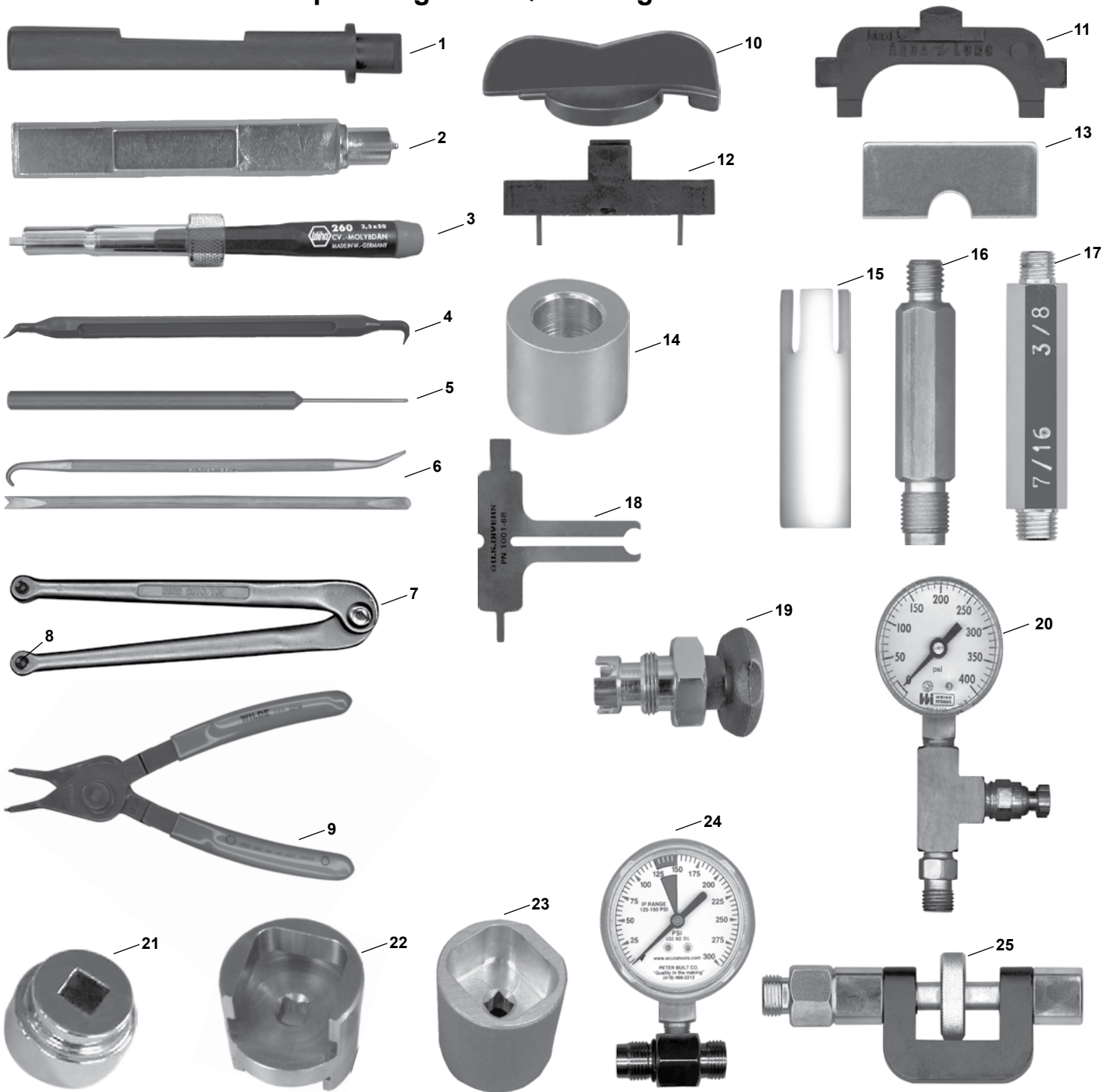
## Aqua Lung Knife Parts

Key #	Part #	Description
1----	41942	Strap/Buckle Assembly, Mako/Vector/Sea Hawk 2/ Sea Master
2----	422441	Sheath, Sea Hawk 2 & Sea Master
3----	422613	Retaining Ring, Sea Hawk 2/SeaMaster

## Sea Quest Knife Parts

Key #	Part #	Description
<b>Squeeze Lock Knife</b>		
1----	42652	Nut/Screw Set, Squeeze Lock, 1 ea.
2----	41942	Knife Strap/Buckle, 24", Pair

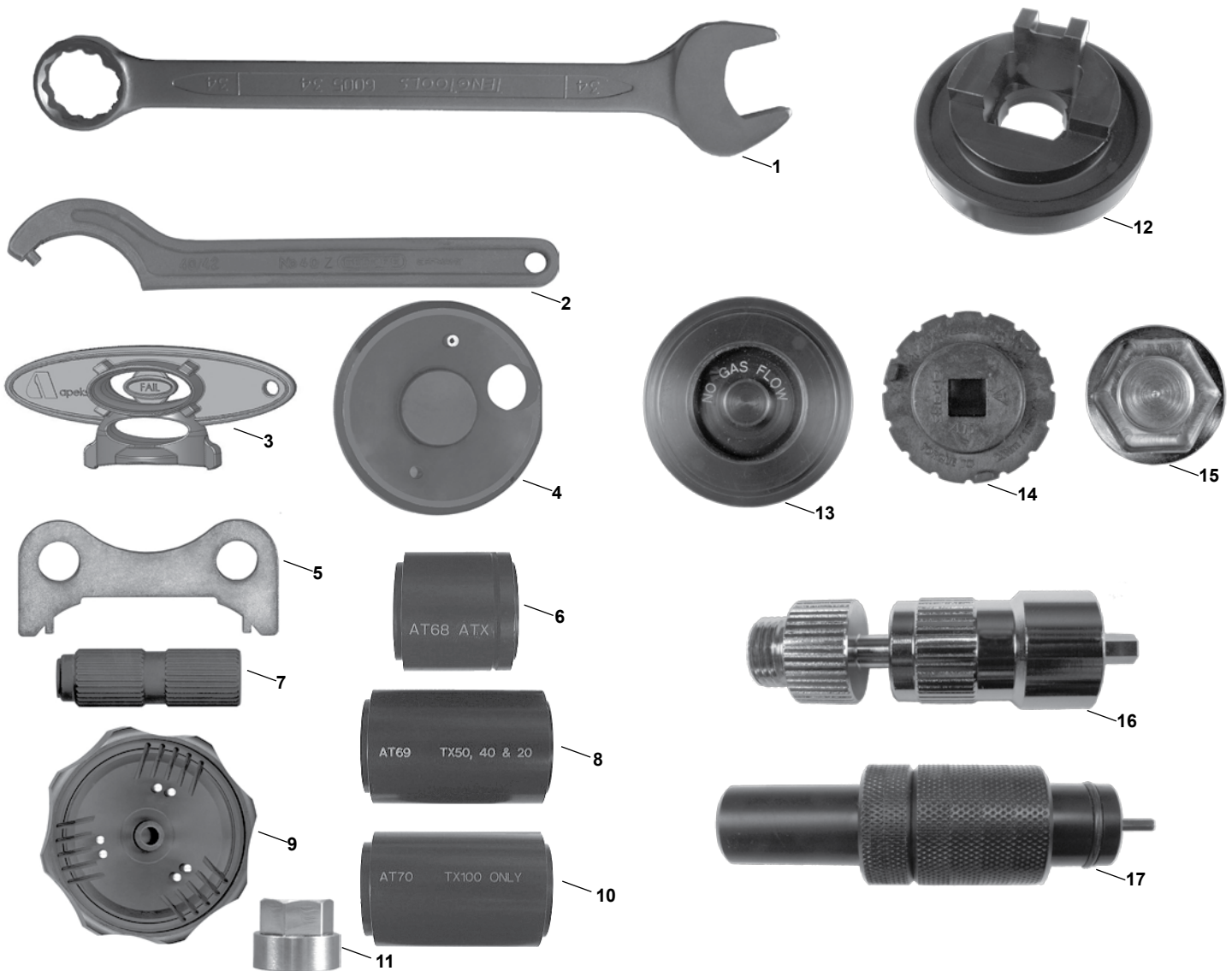
### Aqua Lung / Sea Quest Regulator Tools



Key #	Part #	Description
1	125727	Crown Lever Adjustment Tool
2	127686	Kronos Seat/Lever Adjustment Tool
3	101680	Lever Height Adjustment Tool
4	103102	O-ring Tool, Plastic (5-pk)
5	109437	Seat Installation/Extraction Tool
6	944022	O-ring Tool Set
7	129198	Adjustable Face Spanner
8	129197	Pin, Replacement, Adj. Spanner (1 each)
9	111100	Circlip Pliers, Reversible
10	100306	SEA4/SE3 Box Top Wrench
11	129001	Titan LX Retaining Ring/Lever Height Tool
12	100188	Micra Retaining Ring Tool
13	081247	Supreme Retainer Wrench
14	111000	HP Spring Block Assy Guide

Key #	Part #	Description
15	100884	Micra ADJ Lever Installation Tool
16	100395	Vise Mounting Tool
17	5116230	Vise Mounting Tool
18	100168	Micra Preadjustment Tool
19	111003	Poppet Wrench, Conshelf
20	111610	Test Pressure Gauge, 400 PSI
21	111001	Socket, Inlet Fitting, 26mm
22	122152	Socket, Spring Retainer, Legend/Mistral
23	111002	Socket, Spring Retainer, Titan/Cousteau
24	111605	Inline Test Gauge
25	100190	Inline Adjustment Tool, Slotted & Hexed
N/S	108357	Deluxe Workmat with Windows

## Apeks Regulator Tools

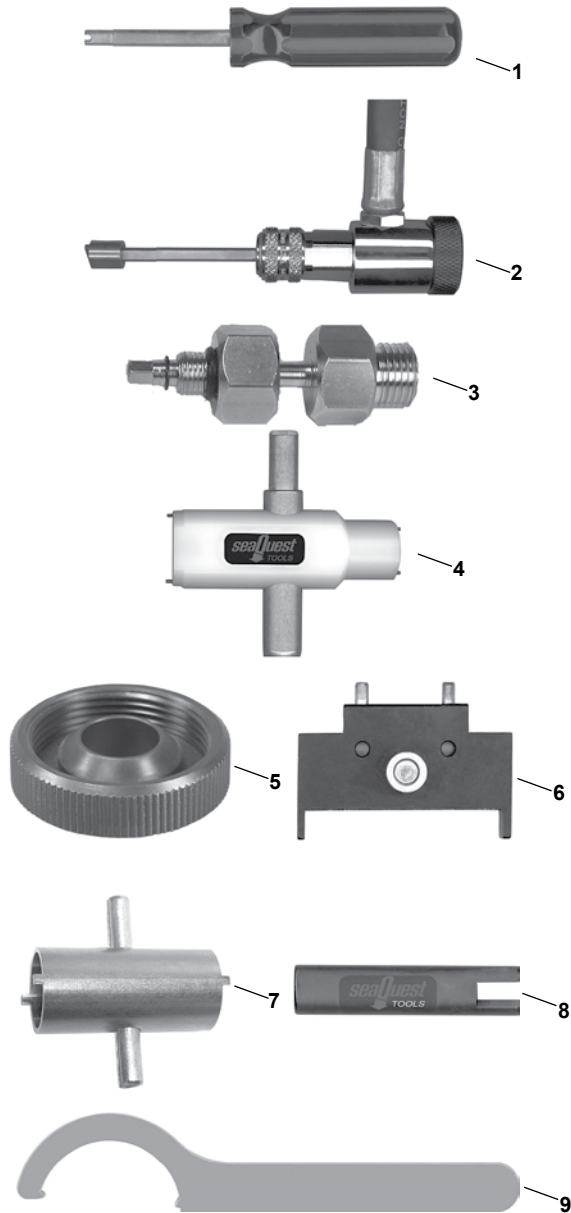


Key #	Part #	Description
1	AT47	Wrench, 34mm (Thin)
2	AT30	Pin Spanner
3	AT20	XTX Cover/Lever Height Tool
4	AT31	ATX/TX Cover Tool
5	AT42	TX100 Cover Tool
6	AT68	Lever Height Tool, ATX
7	AT45	Spring Adjuster Tool
8	AT69	Lever Height Tool, TX50, 40 & 20
9	AT62	Egress Cover/Lever Height Tool
10	AT70	Lever Height Tool, TX100
11	AT21	Status, Valve Lifter Fastener

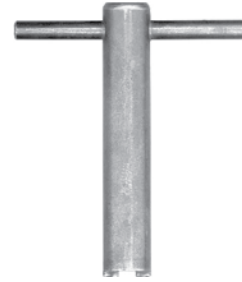
Key #	Part #	Description
12	AT77	Venturi/Inlet Removal Tool, Flight
13	AT75	Lever Height Tool, Flight
14	AT71	Diaphragm Clamp Tool, Flight
15	AT74	Yoke Connector Socket, Flight
16	AT72F	Inline Adjustment Tool, Flight
17	AT76	Micro Adjuster Tool, Flight

## BC &amp; Air Source • Valve

## BC &amp; AIR SOURCE TOOLS



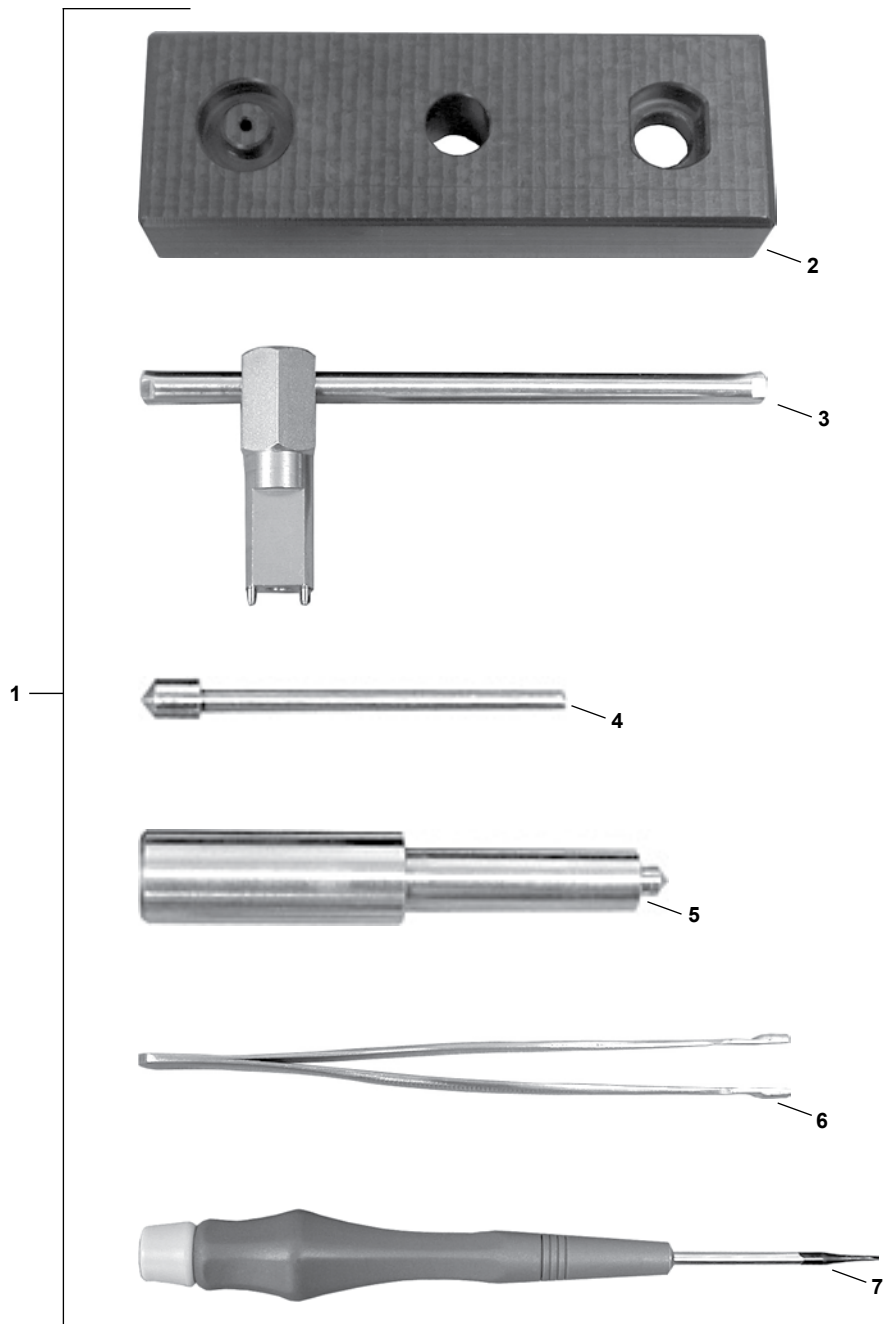
## VALVE TOOLS



Key #	Part #	Description
1	053035	Valve Handwheel Tool

Key #	Part #	Description
1	778694	Valve Core Tool
2	41016	Air Source Inline Adjustment Tool
3	15192	Airsource 3, Inline Adjustment Tool
4	42314	Air Source T-Tool
5	AT7009	Swivel Inflator Tool
6	42315	Air Source Multi Tool
7	15762	Apeks Inflator Tool
8	42316	Air Source Oral Assembly Tool
9	778679	Retaining Collar Wrench, Air Mic
N/S	42611	BC Patch Kit

## Suunto HP Quick Disconnect Tools



Key #	Part #	Description
1	5590	Quick Disconnect Tool Kit
2	V5505	Service Base
3	V5506	Disassembly Wrench
4	V5501	Guiding Pin, Small
5	V5502	Guiding Pin
6	K5630	Tweezers, O-ring Installation
7	K5854	Screwdriver

## Part Number Index

## Index

## Numbers

050107.....	48, 50	083410.....	63	101569.....	13, 15, 17	104903.....	26
050216.....	50	088107.....	62, 64	101680.....	75	104913.....	26, 27, 29,
050221.....	48	088110.....	64	101727.....	12		30, 31, 32, 42, 43, 44,
050233.....	48, 50	088151.....	64	101728.....	12, 15		45, 46, 47
050241.....	48, 50	088152.....	61	101785.....	12, 33, 72	104940.....	26
050242.....	48, 50	090015.....	26, 33	101919.....	26	105106.....	10, 12, 13,
051821.....	48, 50	090018.....	52, 54, 56	102002.....	6, 13, 15, 17		15, 17
52406A.....	49	090025.....	33	102003.....	12, 15	105139.....	26
052508.....	48, 50	100103.....	29	102004.....	15, 26	105321.....	12
052514.....	48, 50	100108.....	29	102023.....	33, 67,70, 72	105323.....	12
052515.....	48	100109.....	29	102085.....	15, 33	105324.....	12, 13, 5, 17
052518.....	48, 50	100110.....	29	102510.....	18, 23, 25,	105326.....	12, 15
052519.....	50	100119.....	29		26, 27, 30, 31, 32	105327.....	12, 15
052521.....	48, 50	100122.....	27,29, 44, 73	102708.....	26	105333.....	12
052540.....	50	100128.....	18, 25, 27,	103101.....	13, 17	105831.....	29, 32, 33
052541.....	48, 50		29, 30, 31, 32	103102.....	75	105838.....	29, 33, 73
052548.....	50	100132.....	29	103104.....	13	105848.....	29, 33, 73
053035.....	77	100136.....	29	103105.....	40	105879.....	26, 33
054114.....	49	100143.....	29	103133.....	7, 8, 9, 10,	105884.....	26, 33
054201.....	49	100168.....	75		11, 13, 17	105885.....	26, 33
054203.....	49	10017.....	60,61, 62, 64	103137.....	7, 8, 9, 10,	105889.....	26, 33
054204.....	49	100181.....	29, 32		11, 13, 17	105926.....	15
054205.....	49	100188.....	75	103162.....	13, 17	105927.....	15
054207.....	49	100190.....	75	103172.....	13, 33	105936.....	15
054208.....	49	100306.....	75	103174.....	13, 17	105940.....	6, 7, 8, 9, 10,
054209.....	49	100312.....	15	103176.....	13, 17		12, 13, 14, 15, 17
054211.....	49	100395.....	75	103182.....	13	105944.....	12, 15
054212.....	49	100444.....	26	103425.....	6, 12, 13, 14,	106022.....	13, 14, 15
054215.....	49	100525.....	12,13, 14, 15		15, 17	106023.....	15
054216.....	49	100571.....	26	103429.....	12, 15	106026.....	6, 12, 13, 14,
054221.....	49	10079.....	65	103706.....	26		15, 17
054228.....	49	10081.....	63, 64	103732.....	26	106027.....	6, 13, 14,
054261.....	49	100841.....	29	104101.....	30, 31		15, 17
054500.....	50	100843.....	29	104102.....	20, 21, 28,	106056.....	12, 13,15, 17
074305.....	48, 50, 64	100845.....	29		30, 31	106057.....	12, 15
081215.....	64	100849.....	29	104106.....	18, 25, 27,	106303.....	14
081240.....	63, 64	100853.....	29		30, 32	106304.....	14
081245.....	63, 64	100854.....	29	104108.....	23, 30	106317.....	12, 13,14, 15
081247.....	75	100856.....	29	104112.....	30	106318.....	12, 13,14, 15
081810.....	63	100862.....	29	104113.....	30, 31	106319.....	12, 13, 14,
082304.....	63	100872.....	29	104122.....	18, 23, 25,		15, 16
082700.....	64	100884.....	75		27, 30, 32	106322.....	14
082721.....	64	100888.....	29	104123.....	30, 31	106323.....	14, 15
082723.....	64	100903.....	32	104127.....	18, 25, 27,	106324.....	14
082729.....	63, 64	100904.....	32		30, 31, 32	106326.....	14
082801.....	63	100906.....	32	104129.....	18, 23, 25,	106327.....	14
082923.....	63	100907.....	32		27, 30, 31, 32	106337.....	12, 13, 14,
082940.....	63	100909.....	32	104131.....	30		15, 16
083400.....	63	100922.....	32	104132.....	30	106338.....	12, 13,14, 15
083401.....	63	100923.....	32	104134.....	18, 25, 27,	106339.....	14
		100924.....	27, 32		30, 32	106356.....	6, 12, 13, 14,
		100945.....	32	104138.....	20, 21, 22,		15, 17
		101012.....	12, 15		23, 24, 25, 27, 28, 30,	106726.....	11
		101504.....	12, 15		31, 33, 41, 42, 43, 44,	106738.....	18, 23, 25,
		101509.....	13, 14, 17		45, 46		27, 30, 31, 32
		101549.....	12, 15	104304.....	12, 15	106767.....	11
		101565.....	14	104613.....	12, 15	106771.....	11

## Part Number Index

106839.....	14	116929.....	27	124578.....	30	127565.....	7, 8, 9, 10
106843.....	10, 11,13, 17	116930.....	27	124579.....	31	127566.....	7, 8, 10
107001.....	26	119129.....	6, 7, 8, 9, 10, 12, 13, 14, 15, 17	124611.....	6, 7, 9,11, 14	127567.....	7, 8, 9, 10
107443.....	6,9,12,13,14, 15, 17	119159.....	7, 8, 9, 10	124628.....	12, 13,15, 17	127568.....	7, 8, 9, 10
107455.....	12, 15, 33	11986.....	69	124665.....	9	127571.....	10
107495.....	15	11996.....	69	125237.....	33	127572.....	10
107506.....	12, 15	12003.....	58, 59	125702.....	25	127573.....	10
107507.....	6, 11, 13, 14, 17	12017.....	60	125705.....	18, 25	127574.....	7, 10
107508.....	11	12019.....	59, 60, 61	125706.....	25	127575.....	10
107605.....	26	12024.....	60, 61, 62	125707.....	25	127576.....	10
107606.....	26	12037.....	61	125708.....	18, 25	127577.....	10
107607.....	26	12039.....	60, 62	125709.....	25	127579.....	7, 10
107700.....	12	120413.....	69	125710.....	11	127581.....	7, 10
107818.....	27	12048.....	60, 62	125712.....	11	127582.....	10
107822.....	30, 31	12060.....	59, 60, 61, 62	125713.....	7, 10, 11, 16	127583.....	8, 10
108122.....	26	12071.....	60	125717.....	11	127585.....	7, 8, 9, 10
108185.....	26	12084.....	58	125719.....	25	127586.....	10
108357.....	75	120850.....	69	125721.....	25	127587.....	10
108504.....	26	12088.....	60, 61, 62	125724.....	25	127588.....	10
108510.....	26, 29	12090.....	62	125727.....	75	127589.....	10
108514.....	26	12114.....	61	125730.....	11	127600.....	24
108515.....	29	12121.....	58	125732.....	25	127602.....	24
108530.....	26	12126.....	60, 61, 62	125734.....	25	127605.....	24
108535.....	26	12127.....	60, 61, 62	125737.....	23	127606.....	24
108538.....	26	12131.....	59	125902.....	16, 17	127607.....	22, 24
108652.....	12, 15	12132.....	59	125903.....	16, 17	127608.....	24
108810.....	12	12137.....	58	125910.....	16, 19	127609.....	24
108851.....	12, 15	122152.....	75	125912.....	19	127610.....	24
108852.....	15	12219.....	64	125914.....	19	127612.....	24
108853.....	12, 15	122244.....	6, 7, 8, 9, 10	125915.....	19	127614.....	24
108854.....	12, 15	12234.....	59	125916.....	19	127615.....	24
108855.....	12, 15	12235.....	59, 60, 61	125918.....	19	127616.....	24
108865.....	12, 15	12240.....	60, 61, 62	125920.....	16, 18	127617.....	24
109437.....	75	12241.....	59, 60, 61, 62	125923.....	17	127618.....	24
109438.....	19,20,21, 22, 23,24,25, 28,30,31,33	12242.....	59	125924.....	16	127621.....	24
109512.....	19, 20, 21, 28, 31, 33	12247.....	59, 60, 61, 62	125925.....	19	127622.....	24
111000.....	75	12248.....	59, 60, 61, 62	125928.....	18	127624.....	24
111001.....	75	12252.....	60	125929.....	18	127625.....	24
111002.....	75	12253.....	60	125930.....	19	127626.....	24
111003.....	75	12261.....	59, 60, 61	125931.....	18	127685.....	10, 33
111100.....	75	12277.....	53, 58, 59, 60, 65	125932.....	16, 33	127686.....	75
11120.....	69	12285.....	60	125934.....	16, 33	12780.....	67
11130.....	69	124509.....	18, 23, 25,30, 31	125935.....	18	127801.....	8, 9
111605.....	75	124555.....	6, 7, 8, 9, 10, 11, 13, 17	125937.....	18	127803.....	8
111610.....	75	124560.....	6, 12, 13, 14, 15, 17	125939.....	19	127804.....	8
11244.....	69	124570.....	20,21,22, 23, 24,25, 28,29,30,31,33	125958.....	16	127805.....	8
11415.....	69	124573.....	20, 21, 22, 23, 24, 25, 27, 28, 29, 30, 31, 32, 33	125975.....	16, 19	127807.....	8
116922.....	27	124576.....	30	125976.....	16, 19	127808.....	8
116923.....	27, 44	124577.....	30	125977.....	19	127814.....	22
116925.....	27			125979.....	19	127815.....	22
116926.....	27			12605.....	69	127816.....	22
116927.....	27			12606.....	69	127817.....	22
116928.....	27			127505.....	10	127818.....	22
				127525.....	10	127819.....	22
				127562.....	10	127821.....	22
				127563.....	7, 8, 9, 10	127822.....	22
				127564.....	7, 8, 9, 10	127823.....	22

## Part Number Index

127825.....	22	128603.....	23	129151.....	6, 8, 9, 11, 17	13207.....	64, 65
127826.....	22, 33	128604.....	23	129154.....	19, 20, 21, 22, 23, 24, 25, 28, 41	13211.....	65
127827.....	22	128605.....	23	129155.....	20	13216.....	64, 65
127828.....	22	128606.....	23	129160.....	16, 20, 21, 23, 24, 28	13220.....	64
127831.....	8	128609.....	23	129161.....	21, 28	13386.....	69
127832.....	22	128610.....	23	129162.....	21, 28	13400.....	69
127833.....	22	128611.....	23	129164.....	21	13525.....	69
127835.....	22	128612.....	23	129171.....	20, 21	13542.....	69
127836.....	22	128613.....	23	129173.....	20, 21	13586.....	69
127838.....	22	128615.....	23	129174.....	18, 20, 21, 22, 23, 24, 25, 28	13587.....	69
127839.....	8	128616.....	23	129178.....	20, 21, 24, 28	14011.....	69
127840.....	8	128618.....	23	129179.....	20, 21	14012.....	69
127842.....	22	128619.....	23, 33	129184.....	20, 21, 24, 28	14013.....	69
127843.....	22	128620.....	23, 33	129185.....	20	14014.....	69
127844.....	7, 8, 9	128621.....	23	129188.....	21, 28	14015.....	69
127846.....	22	128624.....	20, 21, 22, 23, 24, 25, 27, 33	129195.....	20, 21, 28	14016.....	69
127848.....	22	128628.....	23	129196.....	6	14411.....	67
127855.....	8	128631.....	9	129197.....	75	14436.....	69
127865.....	8, 33	128632.....	9	129198.....	75	14517.....	68
127868.....	22	128633.....	9	129202.....	6, 7, 10	14518.....	69
127869.....	22	128634.....	9	129203.....	6, 7, 10	14553.....	67
127870.....	22	128653.....	11	129204.....	6, 7, 10	14979.....	68
127871.....	22	128657.....	11	129205.....	6, 7, 10	15020.....	57
127872.....	8	128658.....	11	129207.....	6, 7, 10	15026.....	57
127873.....	7, 8, 9	128705.....	11	129209.....	6, 7	15027.....	57
127874.....	8	129001.....	75	129212.....	6, 7	15029.....	54, 56, 57
127875.....	8	129080.....	20	129213.....	6, 7	15039.....	57
127876.....	8	129090.....	20	129214.....	6, 7	15049.....	57
127877.....	22	129104.....	21	129215.....	6	15050.....	58, 60
127878.....	8	129108.....	21	129216.....	6, 7, 8, 10	15051.....	58, 60
127881.....	22	129111.....	6	129220.....	6	15055.....	57
128102.....	21	129112.....	6	129225.....	6	15071.....	58
128103.....	21	129117.....	6	129226.....	6	15072.....	58
128104.....	21	129118.....	6	129227.....	6, 33	15078.....	57
128105.....	21	129119.....	6	129236.....	20, 21	15080.....	57
128107.....	21	129120.....	6, 7, 8, 9	129237.....	21	15081.....	57
128108.....	21	129121.....	6	129281.....	20	15082.....	57
128111.....	7, 9	129122.....	6	129282.....	20	15083.....	57
128113.....	7, 9	129123.....	6	129289.....	20	15084.....	57
128115.....	7	129124.....	6	129341.....	6	15087.....	57
128117.....	7, 9	129125.....	6	129343.....	20, 28, 33	15089.....	57
128119.....	7	129126.....	6	129344.....	28	15090.....	57
128121.....	7	129127.....	6	129346.....	6	15091.....	57
128122.....	7	129128.....	6	129348.....	28	15092.....	57
128123.....	7	129129.....	20	129349.....	6	15093.....	57
128124.....	7, 9	129130.....	20	129351.....	28	15094.....	57
128126.....	21	129133.....	20, 21, 24, 28	129352.....	20, 28, 33	15095.....	57
128128.....	21	129135.....	20	129354.....	28	15096.....	57
128132.....	7	129138.....	20	129861.....	22, 33	15098.....	57
128142.....	7, 9, 33	129139.....	21, 28	129862.....	22, 33	15099.....	57
128143.....	7, 9	129142.....	20	131260.....	68	15100.....	54, 56, 57
128265.....	7	129146.....	20, 21, 28	131380.....	68	15103.....	57
128520.....	9	129147.....	20	13145.....	67	15104.....	57
128540.....	23	129148.....	20, 21, 28	13194.....	68	15106.....	57
128545.....	9, 33	129149.....	6			15107.....	57
128550.....	23	129150.....	20, 21, 24, 28			15110.....	57
128602.....	23					15111.....	57

## Part Number Index

15112.....	57	15228.....	51	15735.....	56, 57	413186.....	71
15113.....	57	15234.....	51	15736.....	54, 56	413188.....	72
15115.....	51, 53	15240.....	51	15737.....	64, 65	413190.....	72
15117.....	57	15241.....	51	15738.....	64, 65	413191.....	68
15118.....	57	15260.....	54	15741.....	54, 56	413194.....	67, 68, 72
15128.....	60	15261.....	54	15742.....	54, 56	413195.....	67, 68
15129.....	60, 61, 62	15262.....	54	15743.....	54, 56	413196.....	67, 68
15130.....	60, 61, 62	15270.....	54	15744.....	54, 56	413197.....	67, 68
15132.....	57	15304.....	55	15745.....	54, 56	413202.....	68
15135.....	58	15309.....	52, 55, 56, 58, 59, 60, 61, 62, 64, 65	15746.....	54, 56	413203.....	72
15136.....	58	15401.....	53	15747.....	54, 56	413204.....	67
15140.....	51	15402.....	53	15749.....	54, 56	413205.....	67, 70
15161.....	51, 54	15403.....	53	15755.....	55	413206.....	67
15162.....	51, 54	15404.....	53	15756.....	55	413207.....	67
15163.....	51	15405.....	53	15757.....	55	413208.....	67, 70
15164.....	51, 54	15406.....	53	15758.....	55	413210.....	72
15170.....	51	15407.....	53	15759.....	55	41942.....	74
15171.....	51	15408P.....	53	15761.....	55	41952.....	61
15172.....	51	15412.....	52	15762.....	77	422441.....	74
15173.....	51	15414.....	52	15763.....	51, 52, 54	422613.....	74
15174.....	51	15415.....	52	15852.....	73	42314.....	77
15175.....	51	15417.....	52	15901.....	56	42315.....	77
15176.....	51	15423.....	52	16317.....	61	42316.....	77
15177.....	51	15424.....	52	16319.....	61	42410.....	73
15178.....	51, 54	15425.....	52	16320.....	61	42411.....	73
15179.....	51, 54	15426.....	52	16425.....	68	42454.....	74
15181.....	51	15427.....	52	214204.....	50	42457.....	73
15185.....	51	15428.....	59	220312.....	73	42458.....	74
15186.....	51	15429.....	52	220313.....	73	42485.....	49
15187.....	51	15430.....	58, 59	25455.....	33, 57	42608.....	33, 57
15188.....	51	15433.....	52	280000.....	48	42609.....	54, 56
15189.....	51	15434.....	52	280013.....	48	42611.....	62, 77
15190.....	51	15435.....	52	280040.....	48	42626.....	33
15191.....	33, 51	15436.....	52	28228.....	58, 59, 60, 61, 62, 64	42628.....	33
15192.....	77	15437.....	59	390147.....	26	42631.....	33
15193.....	51	15441.....	65	394052.....	64	42639.....	33, 57
15194.....	51	15442.....	65	41016.....	77	42641.....	57
15195.....	51	15443.....	65	41128.....	70	42652.....	74
15196.....	51	15504.....	52, 54, 56	41175.....	70	427020.....	62
15197.....	51	15604.....	65	413100.....	68, 72	427021.....	62
15201.....	51	15610.....	54, 55, 56, 57	413109.....	72	427022.....	62
15202.....	51	15617.....	65	413138.....	72	427024.....	62
15204.....	51	15628.....	52, 54, 56	413139.....	72	427025.....	62
15205.....	51	15649.....	56	413141.....	72	427030.....	58
15207.....	51	15650.....	65	413147.....	72	427031.....	62
15210.....	51	15652.....	56	413149.....	72	427032.....	62
15211.....	51	15665.....	60, 61, 62, 65	413163.....	72	427033.....	62
15214.....	51	15706.....	55	413164.....	72	427034.....	62
15215.....	51, 54	15709.....	54, 56	413165.....	72	427038.....	58
15220.....	51	15714.....	56	413166.....	68	427039.....	58, 60, 61
15221.....	51	15717.....	55	413167.....	68	427040.....	58, 59, 61
15222.....	51	15718.....	54, 56	413168.....	68	427041.....	62
15223.....	51	15719.....	51, 52, 54, 55, 56, 57	413171.....	72	427042.....	58
15224.....	51	15720.....	54, 56	413173.....	67, 70, 72	42705.....	62
15225.....	51	15724.....	54, 56	413174.....	72	427050.....	62
15226.....	51			413176.....	71	427051.....	62
15227.....	51					427052.....	62

## Part Number Index

427054..... 62	42800..... 54	507708..... 73	820011P..... 6, 7, 8, 9,
427055..... 62	42802..... 57	507709..... 73	10, 11, 12, 13, 14, 15,
427056..... 62	42803..... 57	5116230.....75	16, 17, 20, 21, 22, 23,
427057..... 62	42804..... 57	5236..... 70	24, 25, 26, 27, 28, 29,
427072..... 58, 60	43019.1.....58	5237..... 70	30, 31, 32, 51, 52, 54,
427085..... 60	43019.2.....58	5240-KIT.....33,49	56, 57
427086..... 60	43019.3.....58	5404M..... 68	820013P..... 14, 22, 57
427087..... 60	43019.5.....58	5501..... 71	820014P..... 12, 14, 15,
4270901.....61	43020.1.....58	5505..... 70	26, 49, 54, 56
4270902.....61	43020.2.....58	5506..... 67, 70	820015P..... 11, 18, 20,
4270903.....61	43020.3.....58	5590..... 78	21, 22, 24, 25, 27, 28,
4270904.....61	43020.4.....58	5983..... 71, 72	30, 31, 32, 48, 50, 51
4270905.....61	43020.5.....58	5984..... 71	820016P..... 10, 24, 29,
427096..... 59, 61, 62	430411..... 58	621131..... 74	54, 56, 57
427097..... 61	430412..... 58	621132..... 74	820017P..... 13, 17, 23
427101..... 59	430413..... 58	621502..... 74	820018P..... 22, 24, 51
427102..... 59	430414..... 58	622600..... 74	820038P..... 6, 7, 8, 9,
427103..... 59	430415..... 58	622605..... 74	10, 13, 14, 15, 17
427104..... 58	431411..... 58	622610..... 74	820039P..... 12, 15
42716..... 58, 61	431412..... 58	622680..... 74	820043P..... 52, 54, 56
42718..... 62	431413..... 58	622690..... 74	820062P..... 11
427189..... 59,62	431414..... 58	622695-L.....74	820072P..... 6, 7, 8, 9,
427190..... 59, 60, 61,62	431415..... 58	622695-R.....74	10, 13, 17
427191..... 59, 60, 61,62	4394051.....64	62587..... 74	820073P..... 52
427192..... 59, 60, 61,62	44822..... 33, 54, 56,	62588..... 74	820080P..... 6, 7, 8, 9,
427193..... 59, 60, 61,62	58, 59, 60, 61, 62	62589..... 74	10, 12, 13, 14, 15, 17
427194..... 59, 60, 61,62	44825..... 33, 54, 56,	62911..... 74	820092..... 54, 56
427195..... 59, 60, 61,62	58, 59, 60, 61, 62	6310..... 67, 70	820094P..... 6, 7, 8, 9,
427196..... 59	44827..... 33, 52, 54,	6311..... 70	10, 12, 13, 14, 15, 17
42726..... 58, 61	56, 58, 59, 60, 61, 62	700418..... 12, 15	820120P..... 12, 15, 48,
42738..... 53, 62, 65	44833..... 33, 52, 54, 56,	704014..... 64, 65	50, 55, 57
42746..... 64	58, 59	730486..... 67, 70, 72	820214P..... 48, 49, 50
42747..... 33	44836..... 33, 52, 58, 59	734332..... 73	820311P..... 55
42751..... 58, 61	44840..... 33, 52, 59	734333..... 73	820312P..... 51, 55
42752..... 61	502503.....73	734407..... 73	820314..... 29
42754..... 58, 59, 60,	502505..... 73	734408..... 73	820322P..... 6, 7, 10
61, 62, 64, 65	502506..... 73	734409..... 73	821011..... 48
42764..... 58, 59, 65	502514..... 73	734411..... 73	821014..... 48, 50
42767..... 58, 59, 61	502521..... 73	745930..... 72	821026..... 12, 15
42768..... 58, 59,60, 61	502522..... 73	761947..... 61	824407P..... 6, 7,8, 9, 14
42772..... 55, 60	502524..... 73	762325..... 60, 63	828005..... 12, 15
42773..... 52, 58, 59	502527..... 73	778558..... 56	828510..... 48, 50
42778..... 60	502528..... 73	778559..... 51, 54, 56	828515..... 48, 50
42779..... 60	502537..... 73	778564..... 52, 54,56, 57	834023..... 26
42780..... 60	502538..... 73	778679..... 77	838031..... 63, 64
42781..... 60	502608..... 73	778694..... 77	838032..... 63
42782..... 60	502611..... 73	820007P.....11, 22	845021..... 48, 50
42783..... 55, 60	502738..... 73	820008..... 29	845058..... 48, 50
42784..... 60	502739..... 73	820009P.....6,7,10,20, 24	845097..... 6, 12, 13,
42785..... 60	503605..... 73	820010P..... 6, 7, 14, 16,	14, 15, 17
42786..... 60	503628..... 73	18, 20, 21, 22, 23, 24,	852014..... 63
42788..... 60	503629..... 73	25, 26, 27, 28, 29, 30,	852021..... 63, 64
42789..... 60	503795..... 73	31, 32, 48, 49, 50, 51,	860037..... 26
42790..... 60	503796..... 73	52, 53, 57	860137..... 29, 30, 31
42791..... 60	504652..... 73		861068..... 12, 15
42797..... 58, 59, 60, 61	505020..... 73		
42798..... 58, 59, 60, 61	505565..... 73		

## Part Number Index

863051..... 6, 12, 13, 14, 15, 17	AP0228..... 40	AP1409P.....34, 35, 36, 37, 38, 39, 41, 42, 43, 44, 45, 46, 47	AP2020..... 20, 28, 45, 46, 47
900000..... 14, 33	AP0241/AA.....33, 35, 36, 37, 38, 39	AP1410P.....35, 36, 37, 38, 39, 45, 46, 47	AP2021..... 20, 21, 22, 24, 28, 41, 42, 43, 44, 45, 46, 47
900001..... 12, 13, 15	AP0249..... 33, 42	AP1413..... 34, 35, 36, 37, 38, 39	AP2023..... 47
900002..... 33	AP0250..... 33, 34	AP1414..... 38	AP2025..... 47
900003..... 29, 33	AP0274..... 38	AP1415..... 34, 35, 36, 37, 38, 39	AP2026..... 47
900004..... 33	AP0350..... 43	AP1419..... 35, 36, 37, 38, 39	AP2026/Y.....47
900009..... 33	AP0351..... 43	AP1420P.....38	AP2028..... 45, 46, 47
900010..... 23, 25, 27, 30, 31, 32, 33	AP0352..... 42	AP1429..... 45, 46, 47	AP2028/S.....46
900012..... 20, 21, 22, 24, 28, 33	AP0361..... 38	AP1438P.....20,21,28,38, 42, 43, 45, 46, 47	AP2029..... 47
900013..... 26, 33	AP0362..... 36	AP1445P.....34, 35, 36, 37, 38, 39, 66	AP2029-1.....43, 45
900014..... 6, 8, 9, 33	AP0363..... 35	AP1446..... 37, 38, 39	AP2030..... 47
900015..... 11, 33	AP0367-1.....37	AP1446G.....39	AP02031.....20,21,28, 33
900016..... 16, 17, 18, 19, 33	AP0371..... 33, 34	AP1461..... 33, 42, 43, 45, 46, 47	AP2033..... 20, 21, 22, 24,28,42,43,45,46, 47
900017..... 6, 33	AP0480K.....33	AP1461Y.....33, 42, 43, 44, 45, 46	AP2034..... 20, 21, 22, 24, 28, 41, 42, 43, 44, 45, 46, 47
900018..... 7, 10, 33	AP0510C.....46	AP1470..... 37, 38, 39	AP2035..... 41, 42, 43, 44, 45, 46, 47
900020..... 33, 52	AP0510SQ.....47	AP1470/S.....35, 36	AP2036..... 20,21,22,24, 28, 42, 43, 45, 46, 47
900021..... 33, 51	AP0517..... 39	AP1471..... 35,37,38, 39	AP2037..... 42, 43, 45, 46, 47
910912..... 12	AP0527..... 39	AP1471/S.....35, 36	AP2038..... 20, 21, 28, 42, 43, 45, 46, 47
921019..... 48, 50	AP0528..... 39	AP1472..... 35, 36, 37, 38, 39	AP2039..... 45, 46, 47
944022..... 75	AP0542C..... 45	AP1473..... 35,36,38, 39	AP2039/Y.....45
957004P.....11, 12, 13, 14, 15, 68, 70, 72	AP0574..... 46	AP1474..... 35, 36, 37, 38, 39	AP2040..... 47
957007P.....48, 50	AP0620..... 33, 35	AP1475..... 35, 36, 37, 38, 39, 40	AP2041P.....20,21,22,24, 28, 42, 43, 45, 46, 47
957025P.....15, 26, 29, 31, 54, 56	AP0810..... 34	AP1476..... 35, 36, 37, 38, 39	AP2053..... 47
	AP0810G..... 34	AP1477..... 36, 38, 39	AP03532..... 42
	AP0810P..... 34	AP1478..... 35, 36, 37, 38, 39	AP03611..... 38
	AP0811..... 41	AP1479..... 36,37,38, 39	AP03631..... 35
	AP0811G..... 41	AP1480..... 38, 40	AP5001..... 47
	AP0811P..... 41	AP1481..... 38	AP5002..... 42, 43, 45, 46, 47
	AP1151..... 20, 21, 28, 42, 43, 45, 46, 47	AP1482..... 35, 36, 38, 39, 40	AP5003..... 43, 45
	AP1154P..... 41, 42, 43, 44, 45, 46, 47	AP1482T.....35	AP5004/1.....47
	AP1157P..... 66	AP1483..... 35, 36, 37, 38, 39	AP5013PVDS...42, 46
	AP1159P..... 42, 46	AP1484..... 35, 37, 38, 39, 40	AP5013/S..... 42, 46
	AP1166P..... 34, 35, 36, 37, 38, 39	AP1484PVDS...35	AP5014..... 36
	AP1267P..... 41, 42, 43, 44, 45, 46, 47	AP1484/S.....35, 36	AP5101..... 35, 40
	AP1298P..... 34	AP1485..... 39	AP5101PVDS....35
	AP1299P..... 34, 35, 36, 37, 38, 39	AP1486..... 38	AP5102..... 36
	AP1300P..... 35, 36, 37, 39, 42	AP1487..... 35, 36, 38	AP5103..... 38
	AP1402..... 35, 36, 38, 39		AP5104..... 37
	AP1403..... 35, 38, 39		AP5105..... 37
	AP1403PVDS...35		AP5106..... 37
	AP1403/S..... 35, 36		AP5201..... 39
	AP1404..... 35,36,38, 39		AP5202..... 37, 39
	AP1406/1.....35,36,38, 39		AP5300/S.....36
	AP1407..... 35, 38, 39		AP5309..... 35, 36
	AP1407/S..... 35, 36		AP5309B.....35
	AP1408..... 34, 35, 36, 37, 38, 39		

**Symbols**

AA0210..... 35
AA0210-1.....35
AA0220..... 46
AA0420..... 45

**Symbols**

AP0163..... 34
AP0168..... 34
AP0175F.....41
AP0175M.....41
AP0175T.....41
AP0195..... 33
AP0198..... 33
AP0199..... 33
AP0200..... 33, 41
AP0201..... 33, 41
AP0203..... 33,45,46, 47
AP0203/1.....33,42,43, 45
AP0203/S.....33, 46
AP0206..... 33, 42, 43, 44, 45, 46
AP0211..... 33,37,38, 39
AP0211/S.....33, 35, 36
AP0219/AA.....33, 41, 42, 43, 44, 45, 46, 47
AP0227/AA.....33, 40

## Part Number Index

AP5324K.....33, 41, 42, 43, 45, 46, 47	AP5807/Y.....45, 46	AP7502..... 40	<b>Symbols</b> AT20..... 76 AT21..... 76 AT30..... 76 AT31..... 76 AT42..... 76 AT45..... 76 AT47..... 76 AT62..... 76 AT68..... 76 AT69..... 76 AT70..... 76 AT71..... 76 AT72F..... 76 AT74..... 76 AT75..... 76 AT76..... 76 AT77..... 76 AT7009.....77
AP5695..... 34	AP5819..... 46	AP7505..... 40	
AP5701..... 66	AP5820..... 46	AP7506..... 40	
AP5702..... 66	AP5821..... 45	AP7507..... 40	
AP5703..... 66	AP5822..... 45	AP7508..... 40	
AP5704..... 66	AP5830..... 42, 46	AP7510..... 40	
AP5705..... 66	AP6201..... 34, 35	AP7512..... 40	
AP5706..... 66	AP6202..... 34, 35, 36, 37, 38, 39	AP7518..... 40	
AP5707..... 41, 44	AP6210..... 42, 43	AP7520..... 40	
AP5711P.....41,42,44, 46	AP6211..... 42, 43	AP7550..... 44	
AP5713..... 34	AP6211G.....43	AP7551..... 44	
AP5714..... 34	AP6211Y.....42, 43	AP7553..... 44	
AP5716..... 34	AP6212..... 42, 43	AP7554..... 44	
AP5717..... 34	AP6212G.....43	AP7556..... 44	
AP5719..... 34	AP6212Y.....42, 43	AP7557..... 44	
AP5720PVDS...35	AP6213..... 42, 43	AP7558..... 44	
AP5721..... 35	AP6214..... 42, 43	AP7560..... 44	
AP5722..... 35	AP6214Y.....42, 43	AP7561..... 44	
AP5723..... 35	AP6215..... 42, 43	AP7562..... 44	
AP5724..... 35	AP6216..... 42, 43	AP7563..... 41, 44	
AP5725..... 35,36,37, 40	AP6216S.....42	AP7570..... 41	
AP5731..... 66	AP6217..... 42	AP7577..... 41	
AP5739..... 35	AP6217PVDS...42	AP7578..... 41	
AP5740..... 46	AP6218..... 42, 43	AP7579..... 41	
AP5745..... 66	AP6218G.....43	AP7581..... 41	
AP5746..... 66	AP6218Y..... 42, 43	AP7582..... 41	
AP5750..... 34	AP6219G.....43	AP7584..... 41	
AP5751..... 34	AP6219K..... 42, 43	AP7586..... 41	
AP5751G.....34	AP6220K..... 42, 43	AP7589..... 41	
AP5751P.....34	AP6221B..... 42	AP7589F..... 41	
AP5752..... 34	AP6221GREY...42	AP7589G.....41	
AP5753..... 34	AP6221S..... 42	AP7589Y..... 41	
AP5754..... 34	AP6221Y..... 42	AP7590..... 41	
AP5755..... 34	AP6222..... 42, 43	AP7592..... 41	
AP5756..... 34	AP6223..... 41, 42, 43	AP7595..... 41	
AP5757..... 34	AP6224..... 42, 43	AP7596B.....41, 66	
AP5758..... 34	AP6224N.....43	AP7596G.....41	
AP5759..... 34	AP6225..... 42	AP7596P..... 41	
AP5763..... 34	AP6226..... 42	AP7596Y..... 41	
AP5764..... 34	AP6227..... 42	AP7610..... 33, 66	
AP5766..... 34	AP6228..... 43	AP08101..... 34	
AP5767..... 34	AP6228N.....43	AP08101G.....34	
AP5768..... 34	AP6229..... 43	AP08101P.....34	
AP5769..... 34	AP6230..... 42, 43	AP14731..... 35, 36, 37	
AP5770..... 34	AP6236..... 33, 41	AP14741..... 39	
AP5800..... 45, 46	AP6236Y.....33, 41	AP14771..... 39	
AP5801..... 45, 46	AP6238..... 42	AP14821..... 35, 36, 37	
AP5801GREY...46	AP6239..... 35	AP100181.....41	
AP5801/Y.....45, 46	AP6577..... 42, 46	AP522002P.....66	
AP5802..... 42,43,45, 46	AP6577PVDS...42, 46		
AP5802/C.....46	AP6577/S.....42, 46	<b>Symbols</b>	
AP5803..... 42,43,45, 46	AP6578..... 42, 46	APF124563.....20, 21, 24, 25, 29, 30, 31, 33	
AP5804..... 46	AP7100..... 33, 41	APF124565.....29,30,31, 33	
AP5805..... 20,28,45, 46	AP7100Y.....33, 41	APF124566.....21, 24, 25, 27, 29, 30, 31, 32, 33	
AP5806..... 46	AP7500..... 40		
AP5807..... 45, 46	AP7501..... 40		

**Symbols**

K4515..... 71
K5166..... 70
K5168..... 70
K5172..... 70
K5200..... 70
K5201..... 70
K5459..... 67, 70
K5534..... 68
K5542..... 68
K5630..... 78
K5854..... 78
K5868..... 71

**Symbols**

L5838..... 71
L5884..... 71

**Symbols**

S5001..... 71
---------------

**Symbols**

V5306..... 70
V5501..... 78
V5502..... 78
V5505..... 78
V5506..... 78
V5824..... 68
V5876..... 67
V5887..... 70
V6281..... 67, 70



AQUA  LUNG®

 **apeks**

*seaQuest*®  


  
**SUUNTO**

**TOLL FREE ORDER DESK**

800.775.DIVE (3483)  
from 7:00AM to 5:00PM PST Monday - Friday

**AQUA  LUNG®**

2340 Cousteau Court, Vista, CA 92081, U.S.A.