



AQUA LUNG®
2008 SPARE PARTS CATALOG

Table of Contents

General Information

How to Use the Spare Parts Catalog & Price List.....	3
Terms & Conditions.....	4

Aqua Lung First Stage Regulators

Legend Series.....	5
Mikron.....	6
Kronos•Kronos Supreme.....	7
Titan.....	8
Calypso (2004 to present).....	9
Conshelf XIV & XIV Supreme.....	10
Cousteau•SEA.....	11
Conshelf SE3•SE2•SE2 Supreme.....	12
Calypso (98-04)•Partner.....	13

Mistral

Regulator.....	14
First Stage.....	15
Second Stage.....	16
Mouthpiece.....	17

Aqua Lung Second Stage Regulators

Legend LX•Legend LX Supreme.....	18
Titan LX•Titan LX Supreme•Legend• Legend Supreme•Legend Octopus•LX Octopus.....	19
Legend Glacia•Glacia Octopus.....	20
Mikron•Mikron Octopus.....	21
Kronos•Kronos Supreme•Kronos Octo.....	22
Titan•Calypso•Calypso O2/Octopus (2004 - present) ..	23
Conshelf XIV.....	24
ABS Octopus.....	25
Micra ADJ (Adjustable).....	26
Titan•Cousteau•Calypso•Partner• Octopus (1998-2004).....	27
Glacia•Glacia Octopus.....	28
LPO (Low Profile Octopus).....	29

Common Spares..... 30

Regulator Accessories
Replacement Silicone Mouthpieces
Regulator MP Hoses Apeks
Regulator MP Hoses Aqua Lung
BC MP Inflator Hoses
Air Source Hi-Flow MP Inflator Hoses
HP Hose
DIN Adapters Aqua Lung
DIN Adapters Apeks
Regulator Service Kits
Inflator and Cylinder Valve Service Kits

Valves

Twin Tank Manifold w/Reserve.....	31
K-Valve•DIN Valve•Z-Valve Air.....	32
J-Valve.....	33

Air Source & Inflators

Airsource 3.....	34
i3 Inflator & Oral Assembly.....	35
Flat E-Valve.....	36
Apeks Inflator Assembly.....	37
Powerline Inflator w/Dual Valve.....	38
Air Source 2.....	39
Swivel Inflator.....	40

Aqua Lung & Sea Quest

Buoyancy Compensators & Back Packs

Balance•Libra•Black Diamond•Diva LX•Diva XLT•Diva QD•Diva•Eva•Fusion•Latitude•Latitude XLT.....	41
Malibu•Pacifica•Passport•Pearl•Pearl i3•Pro•Pro QD• Pro QD+•Pro XLT.....	42
Pro QD i3•Pro Unlimited•Raider•Spectrum 1•Wave• Wave Jr.....	43
Wave Sea Quest•Wave Jr. Sea Quest•WTX (Apeks).....	44
Mariner Twin Backpack.....	45
Kam Pac•Twin Harness•Military BC.....	46
Cap-off Kit•Universal Dump Valve Kit• CO2 Assembly•Miscellaneous.....	47

How to Use the Spare Parts Catalog & Price List

The Spare Parts Catalog & Price List are designed to be easy-to-use references for locating currently available part numbers and prices for most Aqua Lung products, including regulators, BCs, valves, instruments and rubber goods. It is not intended to be a substitute for the various Aqua Lung Repair Manuals. Because the schematic drawings and parts listed contain the most recent revisions to the products shown, this document should be referred to exclusively whenever ordering replacement parts.

Finding the part number and price

There are three simple steps for finding a part number and its price:

- Find the product in the Table of Contents of this catalog and turn to the appropriate page.
- Find the part in the exploded drawing and note the key number. Find the key number in the parts listing located below the exploded drawing. Next to the key number is the part number.
- Refer to the **Spare Parts & Specialty Tools Price List**, and locate the part number. Next to the part number is the dealer price and retail price.

Mandatory overhaul replacement parts

Some products have mandatory overhaul replacement parts, which should be replaced every time the product is serviced. Any part in ***BOLD ITALICS*** is considered a mandatory overhaul part, and should not be reused under any circumstances after the product has been disassembled. These parts can be ordered individually, or in complete kits which are available for each model regulator.

Parts no longer available (NLA)

Some older, discontinued products have parts that are no longer available. If a part is no longer available, the letters NLA will replace the part number in the parts list.

Using the Part Number Index

If you know the part number for a specific item and want to find where it is used (or isn't used), you will want to use the Part Number Index. To use the index, you first need to locate the part number in the listing. Next to each part number are the page numbers on which the part can be found. If, for example, you want to know what products use the 108510 medium pressure seat, you can refer to the Part Number Index, where you will find that the 108510 is found on pages 24 and 26.

A Reminder

Parts may only be sold to Authorized Aqua Lung Pro-Line Dealers, and must be installed only by technicians who have received factory authorized training. Proper storage is important to ensure the quality of these parts. Be sure to store parts in a manner to prevent premature degradation of rubber and other soft materials, and to prevent damage to those parts which contain delicate sealing surfaces.

Terms & Conditions

Effective January 1, 2008

Placing Orders and Shipment of Orders

- Orders may be placed through the Sales Office in Vista, California, on our B2B website or with the Regional Sales Manager

Aqua Lung Toll Free Order Desk: (800) 775-3483

Aqua Lung Toll Free Fax: (800) 882-3483

International Tel: +1-760-597-5000

International Fax: +1760-597-4900

Pricing Terms and Policies

- Terms: C.O.D. or credit terms available to accounts with approved and current credit status
- Credit Card purchases and payments will receive same discounts as C.O.D. for the respective category level
- Discounts will not be allowed if account is past due
- All prices are subject to change without notice
- A late charge of 1.5% per month will be assessed on invoices unpaid after the due date. In the event that this late charge exceeds the maximum permitted by applicable law, it shall be reduced to the legal maximum
- A \$50.00 service charge will be required for all returned checks
- Possession of a Price List does not constitute an offer to sell. Aqua Lung America reserves the right to accept or reject all orders
- A \$10.00 processing fee will be added to orders below \$50.00
- A 10% fee on the total purchase amount will be applied to drop shipments
- A 15% restock fee is applied to all refused shipments

Freight Program and Shipping Policies

- Effective April 1, 2008, to accounts within the continental limits of the United States: "Full Freight Allowed" (FFA) can be applied on shipments of \$1,750 or more (one destination)
- Delivery to carrier constitutes delivery to purchaser (ex-factory)
- Claims for merchandise damaged, lost or not delivered must be filed with the carrier and Aqua Lung within 48 hours
- Claims for shortage on sealed cartons must be filed with Aqua Lung within 5 days after receipt of shipment
- Aqua Lung America will not guarantee carrier delivery schedule
- Dealer is responsible for full freight charges on refused shipments

Return and Replacement Policy

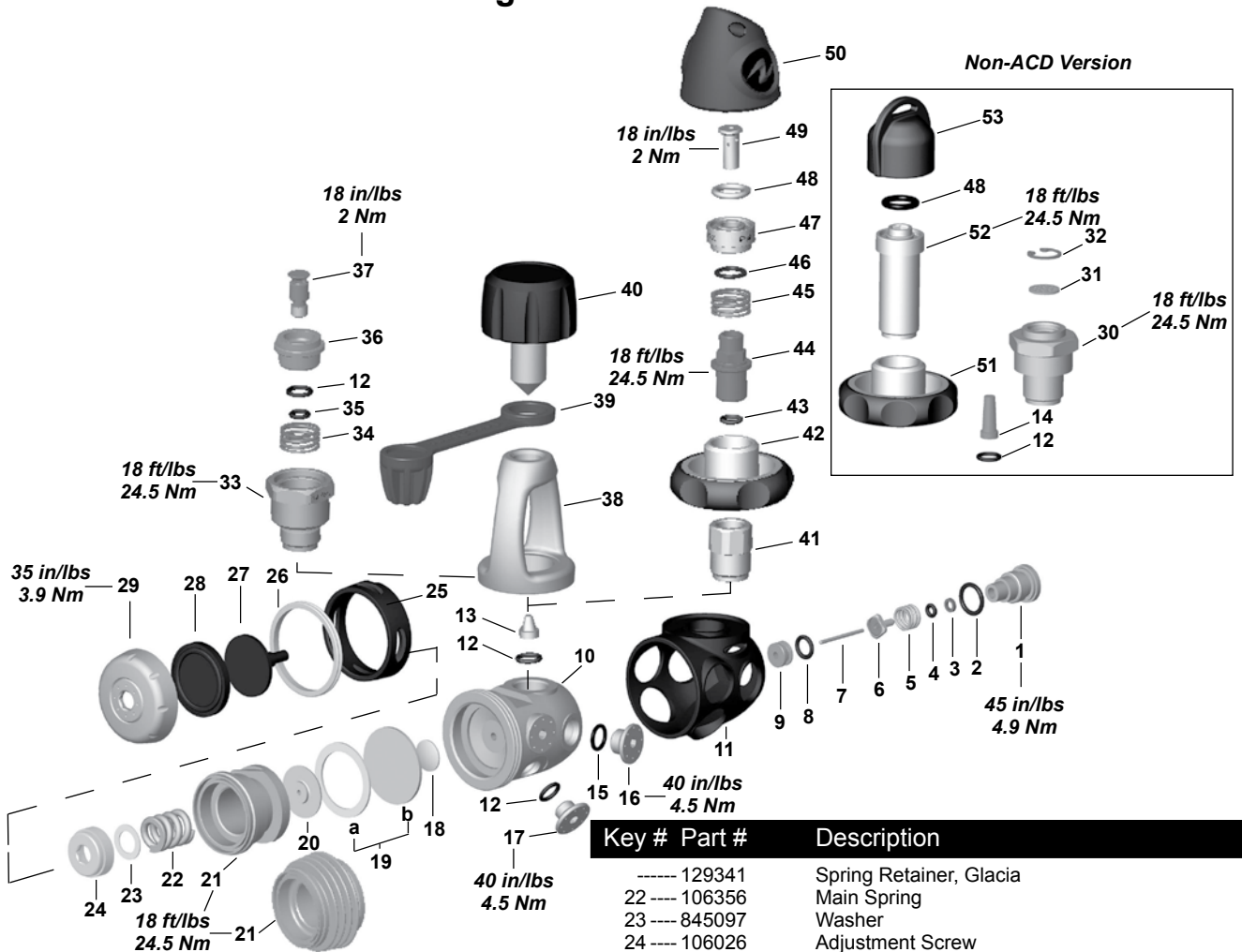
- All merchandise returned to Aqua Lung America for credit requires a completed Return Authorization form with a Return Authorization Number (RMA)
- Authorized returns must be freight pre-paid
- All merchandise returned without an authorization number will be refused
- All returned merchandise is subject to a 15% restocking fee

Abbreviations

Throughout this price list, various abbreviations are used. They are summarized below:

- N/A – Not Applicable
- SBG – See Buyer's Guide. These products are finished goods that are found in the current Buyer's Guide
- TBD – To Be Determined. Costs were not available at press time. Please contact your sales representative

Legend Series

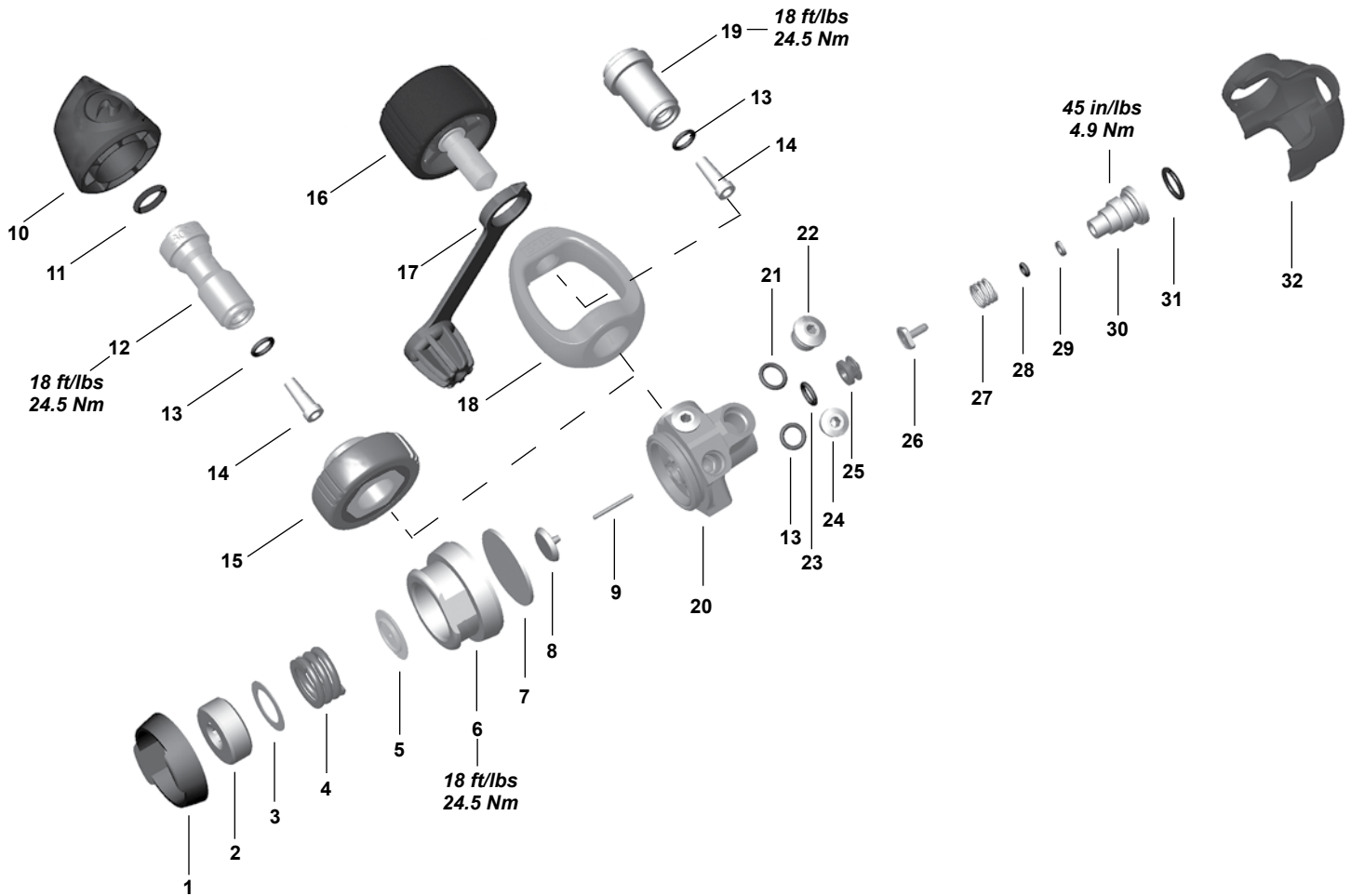


Key #	Part #	Description
-----	129220	First Stage Legend ACD, Yoke
-----	129225	First Stage Legend ACD, DIN
-----	129346	First Stage, Glacia Legend, Yoke
-----	129226	ACD Conversion Kit, Yoke
-----	129227	ACD Conversion Kit, DIN
-----	900017	Overhaul Parts Kit ACD (Yoke and DIN)
-----	900014	Overhaul Parts Kit (Yoke and DIN)
1 ----	129120	HP Plug
2 ----	824407	O-ring
3 ----	119129	Backup ring
4 ----	820080	O-ring
5 ----	122244	Spring
6 ----	105940	HP Seat
7 ----	102002	Pin
8 ----	820038	O-ring
9 ----	106027	Crown
10 ----	129111	Body
11 ----	129112	Protective Cover
12 ----	820011P	O-ring (25 pk)
13 ----	129209	Filter, ACD
14 ----	129151	Filter
15 ----	820072	O-ring, HP Port
16 ----	129118	Plug, HP Port, 7/16 inch
17 ----	129119	Plug, MP Port, 3/8 inch
18 ----	129121	Pin Support
19 ----	103425	Diaphragm Kit (includes thrust washer 19a and diaphragm 19b)
20 ----	124560	Spring Pad
21 ----	129122	Spring Retainer

Key #	Part #	Description
-----	129341	Spring Retainer, Glacia
22 ----	106356	Main Spring
23 ----	845097	Washer
24 ----	106026	Adjustment Screw
25 ----	129128	Spacer
26 ----	129127	Ribbed Washer
27 ----	129123	Piston
28 ----	129126	Diaphragm, Secondary
29 ----	129194	Cap, Black
-----	129196	Cap, Chrome
-----	129349	Cap, Glacia
30 ----	129124	Inlet Fitting
31 ----	129149	Shield
32 ----	863051	C-Clip
33 ----	129212	Yoke Retainer, ACD
34 ----	129204	Spring, ACD
35 ----	820009	O-ring
36 ----	129205	Yoke Crown, ACD
37 ----	129207	Yoke Valve, ACD
38 ----	124611	Yoke, Chrome
39 ----	124555	Dust Cap
40 ----	107507	Yoke Screw
41 ----	129214	DIN Filter Holder
42 ----	129215	DIN Handwheel, ACD
43 ----	820010P	O-ring (25 pk)
44 ----	129213	DIN Screw, ACD
45 ----	129204	Spring, ACD
46 ----	820322	O-ring
47 ----	129203	DIN Shutter Crown, ACD
48 ----	820094	O-ring
49 ----	129202	DIN Shutter Valve, ACD
50 ----	129216	DIN Cap, ACD
51 ----	129117	DIN Handwheel
52 ----	129125	DIN Fitting
53 ----	107441	DIN Cap

Part numbers in **BOLD ITALICS** indicate standard overhaul replacement part.

Mikron

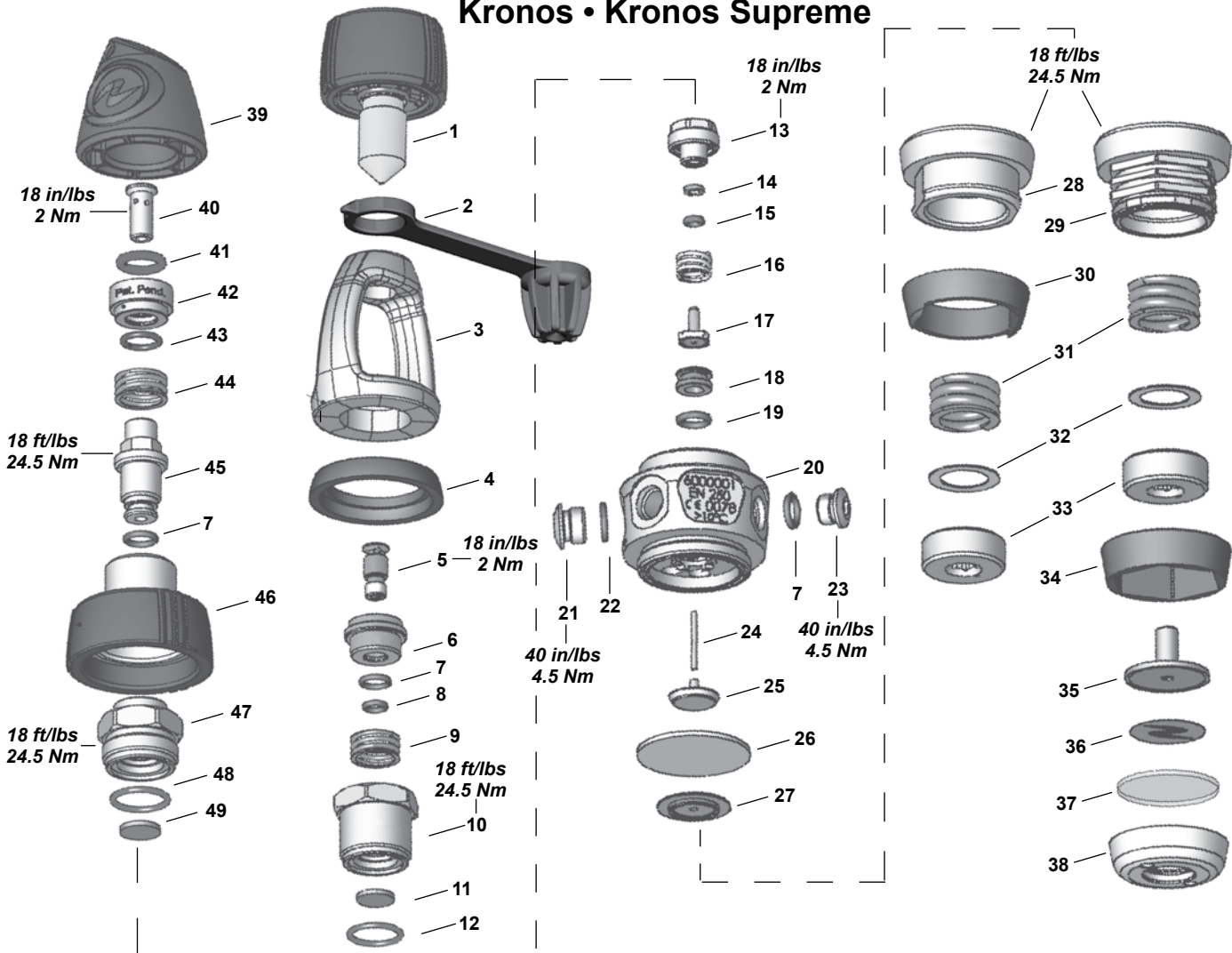


Key #	Part #	Description
-----	900014	Overhaul Parts Kit, (Yoke and DIN)
1----	127837	Spacer, Black
-----	127839	Spacer, Vanilla
2----	127566	Adjustment Screw
3----	127568	Washer
4----	127567	Spring
5----	127565	Spring Pad
6----	127583	Spring Retainer
7----	119159	Diaphragm
8----	127563	Pin Support
9----	127564	Pin
10----	129216	Din ACD Cap
11----	820094	O-ring
12----	127801	DIN Fitting
13----	820011P	O-ring (25 pk)
14----	129151	Filter
15----	127803	DIN Handwheel
16----	127805	Yoke Screw
17----	124555	Dust Cap
18----	127807	Yoke

Key #	Part #	Description
19----	127808	Inlet Fitting
20----	127844	Body
21----	820072	O-ring
22----	103137	Plug, HP Port, 7/16"
23----	820038	O-ring
24----	122233	Plug, MP Port, 3/8"
25----	127585	Crown
26----	105940	HP Seat
27----	122244	Spring
28----	820080	O-ring
29----	119129	Back-up Ring
30----	129120	Plug
31----	824407	O-ring
32----	127804	Sheath, Black
-----	127831	Sheath, Vanilla

Part numbers in **BOLD ITALICS** indicate standard overhaul replacement part.

Kronos • Kronos Supreme

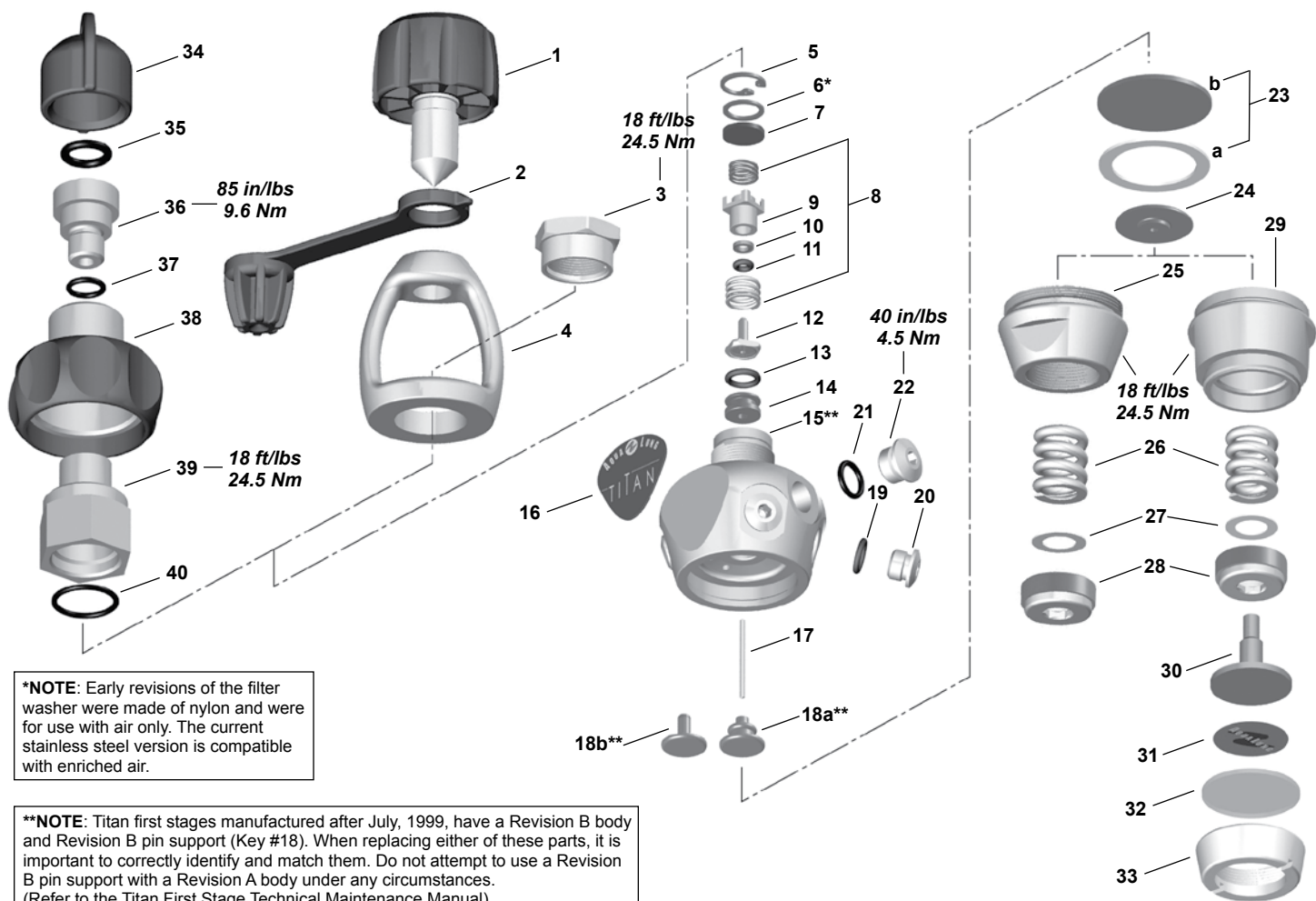


Key #	Part #	Description
----	127505	First Stage, Kronos, Yoke
----	127525	First Stage, Kronos Supreme, Yoke
----	900018	Overhaul Parts Kit (Yoke and DIN)
1----	127574	Yoke Screw
2----	124555	Dust Cap
3----	106843	Yoke
4----	127575	Yoke Ring
5----	129207	Yoke Valve
6----	129205	Yoke Crown
7----	820011P	O-ring (25 pk)
8----	820009	O-ring
9----	129204	Spring
10----	127576	Yoke Retainer
11----	105106	Filter
12----	820016	O-ring
13----	127562	Balance Chamber
14----	119129	Back-up Ring
15----	820080	O-ring
16----	122244	Spring
17----	105940	HP Seat
18----	127585	Crown
19----	820038	O-ring
20----	127588	Body, Kronos
----	127589	Body, Kronos Supreme
21----	103137	Plug, HP Port, 7/16 inch
22----	820072	O-ring
23----	122233	Plug, MP Port, 3/8 inch
24----	127564	Pin

Key #	Part #	Description
25----	127563	Pin Support
26----	119159	Diaphragm
27----	127565	Spring Pad
28----	127583	Spring Retainer
29----	127577	Spring Retainer, Dry
30----	127586	Washer, Std Retainer
31----	127567	Spring
32----	127568	Washer
33----	127566	Adjustment Screw
34----	127587	Washer, Dry Retainer
35----	127581	Piston
36----	125713	Decal, Aqua Lung Logo
37----	127579	Diaphragm, Secondary
38----	127582	Diaphragm Retainer
Kronos DIN Adapter		
----	127685	DIN Adapter Kit, Kronos
39----	129216	DIN ACD Cap
40----	129202	DIN Shutter Valve
41----	820094	O-ring
42----	129203	DIN Shutter Crown
43----	820322	O-ring
44----	129204	ACD Spring
45----	127573	DIN Screw
46----	127571	DIN Handwheel
47----	127572	Filter Holder
48----	820016	O-ring
49----	105106	Filter

Part numbers in **BOLD ITALICS** indicate standard overhaul replacement part.

Titan



***NOTE:** Early revisions of the filter washer were made of nylon and were for use with air only. The current stainless steel version is compatible with enriched air.

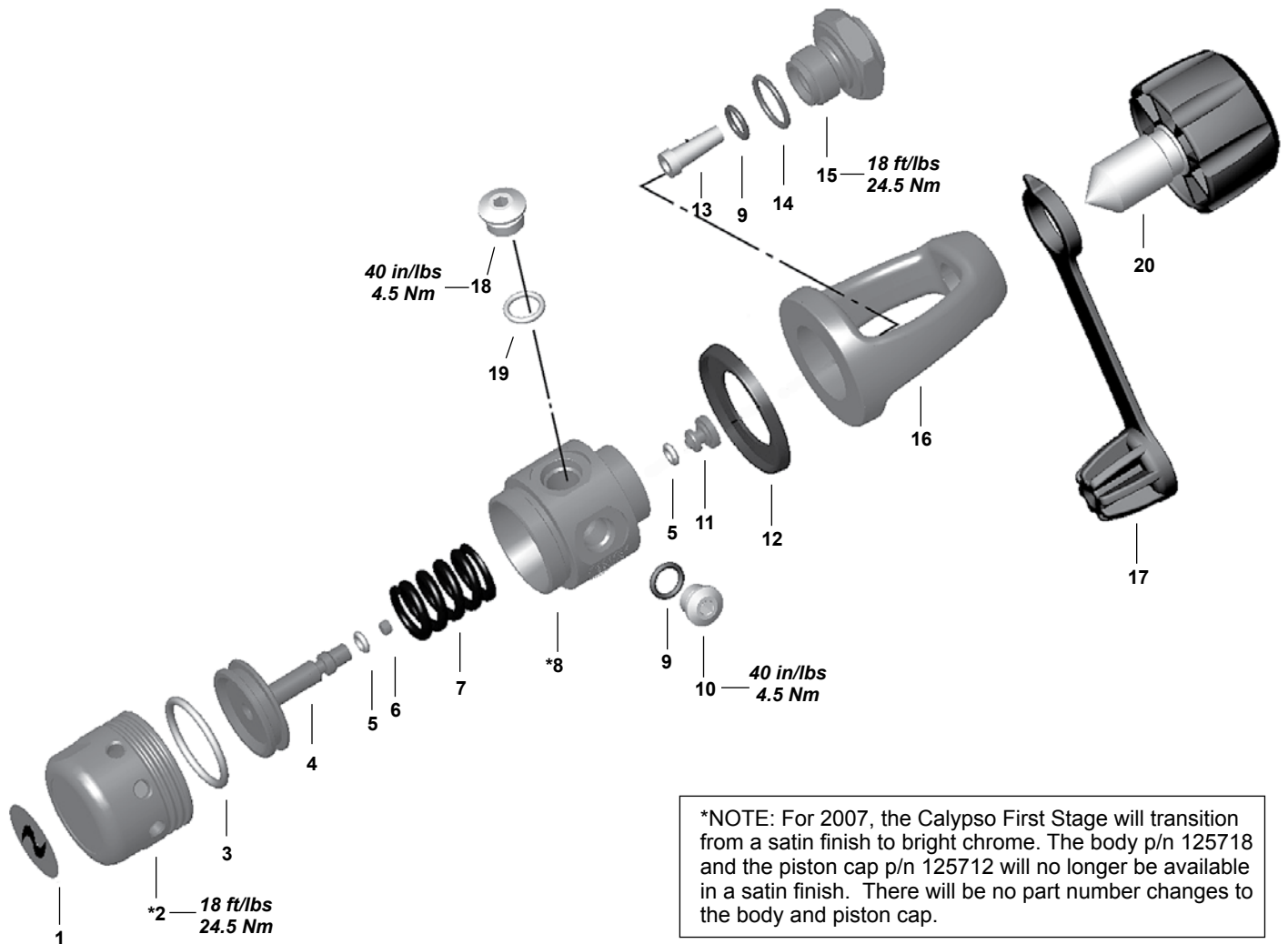
****NOTE:** Titan first stages manufactured after July, 1999, have a Revision B body and Revision B pin support (Key #18). When replacing either of these parts, it is important to correctly identify and match them. Do not attempt to use a Revision B pin support with a Revision A body under any circumstances. (Refer to the Titan First Stage Technical Maintenance Manual)

Key #	Part #	Description
-----	103111	First Stage, Titan, Yoke
-----	103191	First Stage, Titan Yoke
-----	900001	Overhaul Parts Kit
1----	107507	Yoke Screw
2----	124555	Dust Cap
3----	103162	Yoke Retainer
4----	106843	Yoke
5----	863051	Circlip
6----	124628	Washer, Stainless (see *NOTE)
7----	105106	Filter
8----	101509	Spring Kit (includes both springs)
9----	105324	Balance Chamber
10----	119129	Backup Ring
11----	820080	O-ring
12----	105940	HP Seat
13----	820038	O-ring
14----	106027	Crown
15----	103101	Body, Rev. B (see **NOTE)
16----	103182	Decal, Titan
-----	103185	Decal, Micra
17----	102002	Pin
18a---	106022	Pin Support, Rev. A (see **NOTE)
18b---	101569	Pin Support Rev. B (see **NOTE)
19----	957004P	O-ring (7/16" HP Port) (25 pk)
20----	103137	Plug, HP Port, 7/16 inch
21----	820011P	O-ring (3/8" Port) (25 pk)

Key #	Part #	Description
22----	103133	Plug, MP Port, 3/8 inch
23----	103425	Diaphragm Kit (includes thrust washer, 23a and diaphragm, 23b)
24----	124560	Spring Pad
25----	103104	Spring Retainer
26----	106356	Spring
27----	845097	Washer
28----	106026	Adjustment Screw
Used with "Dry" Environmental Kit		
-----	100525	Dry Environmental Kit, Complete
29----	106317	Spring Retainer
30----	106319	Piston
31----	106338	Decal
32----	106337	Diaphragm, External
33----	106318	Diaphragm Retainer
Titan DIN Adapter		
-----	103172	DIN Adapter Kit, Titan
34----	107441	Protector Cap, DIN Connector
35----	820094	O-ring
36----	106056	Handwheel Retainer
37----	820072	O-ring
38----	103176	Handwheel
39----	103174	DIN Adapter
40----	820017	O-ring

Part numbers in **BOLD ITALICS** indicate standard overhaul replacement part.

Calypso (2004 to present)



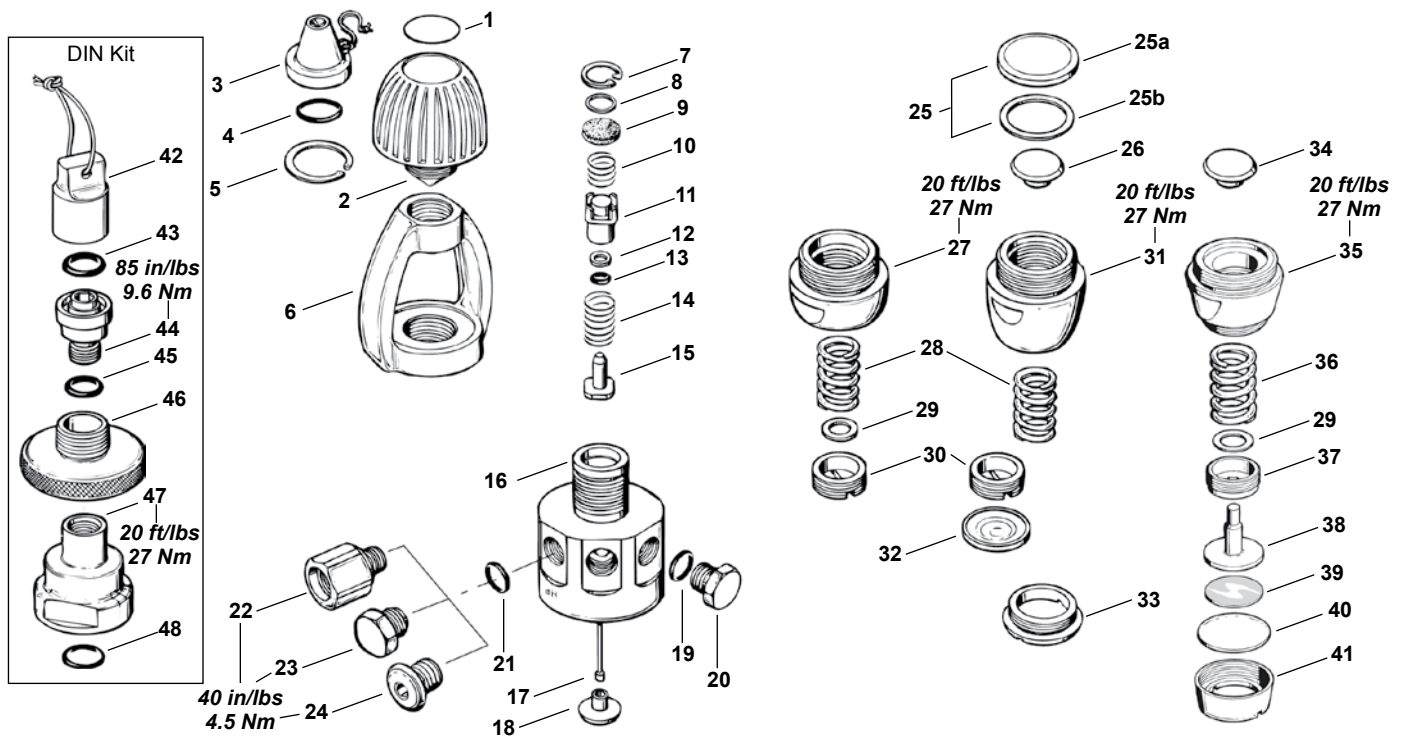
*NOTE: For 2007, the Calypso First Stage will transition from a satin finish to bright chrome. The body p/n 125718 and the piston cap p/n 125712 will no longer be available in a satin finish. There will be no part number changes to the body and piston cap.

Key #	Part #	Description
-----	125730	First Stage, Calypso, Yoke
-----	900015	Overhaul Parts Kit
1----	125713	Decal, Aqua Lung logo
2----	125712	Piston cap
3----	820062	O-ring
4----	125717	Piston
5----	820007	O-ring
6----	106726	HP seat
7----	106771	Spring
8----	125718	Body
9----	820011P	O-ring (25 pk)
10----	103133	Plug, MP Port, 3/8 inch

Key #	Part #	Description
11----	106767	Crown orifice
12----	125710	Yoke washer
13----	129151	Filter
14----	820015P	O-ring (10 pk)
15----	125716	Inlet fitting
16----	106843	Yoke, satin
-----	124611	Yoke, bright Chrome
17----	124555	Dust cap
18----	103137	Plug, HP Port, 7/16 inch
19----	957004P	O-ring (25 pk)
20----	107507	Yoke screw
-----	107508	Yoke screw, green, Nitrox, O ₂

Part numbers in **BOLD ITALICS** are included in the service kit.

Conshelf XIV & XIV Supreme

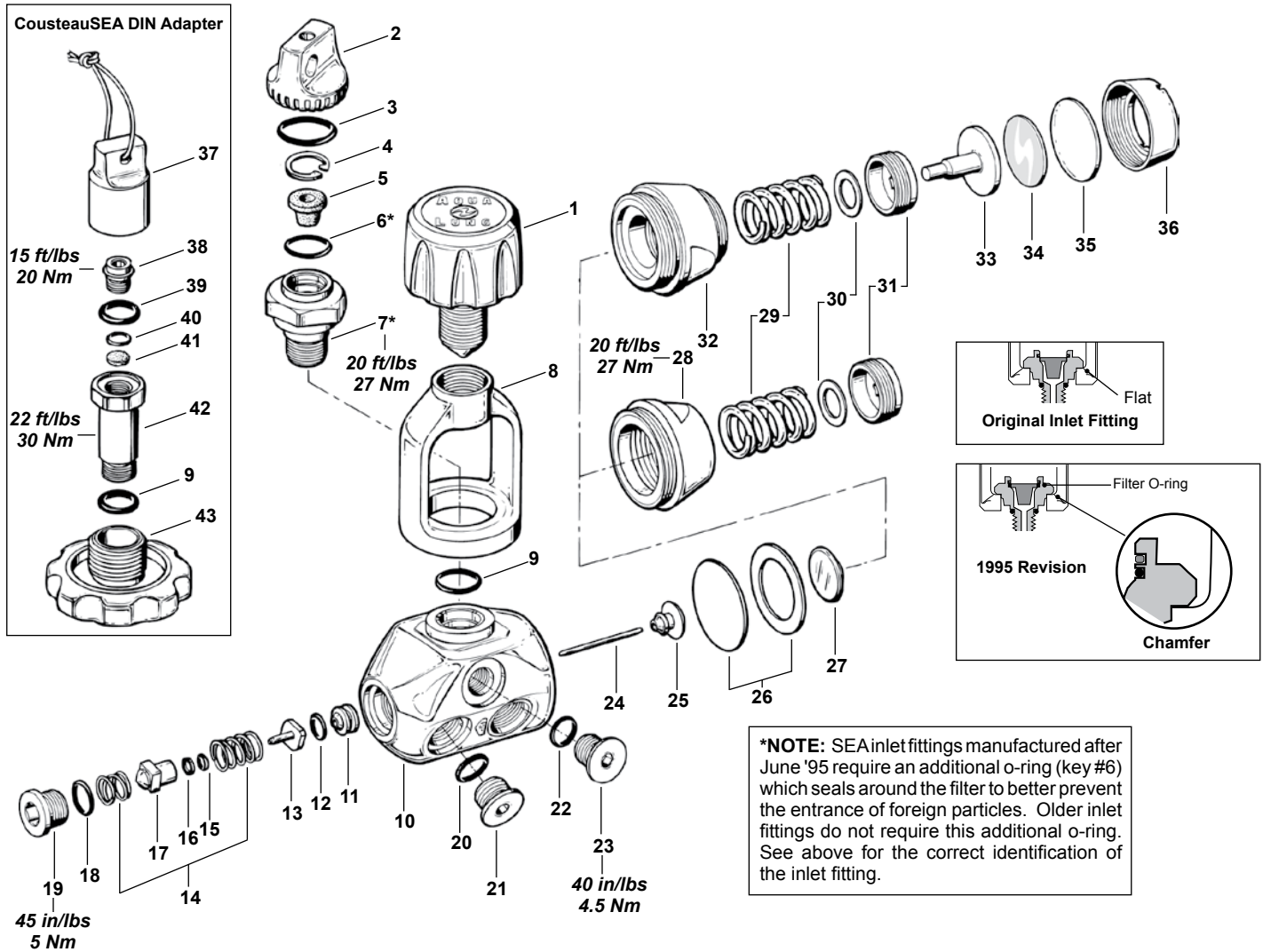


Key #	Part #	Description
----	107700	First Stage, Conshelf XIV
----	108810	First Stage, Conshelf XIV Supreme
----	900001	Overhaul Parts Kit
1----	NLA	Decal
2----	107506	Yoke Screw
3----	101012	Dust Cap
4----	820120	O-ring
5----	861068	Retaining Ring
6----	700418	Yoke
7----	863051	Retaining Ring
8----	124628	Washer, Stainless
9----	105106	Filter
10----	104613	Spring
11----	105324	Balance Chamber
12----	119129	Back-up Ring, Black, Non-Split
----	828005	Back-up Ring, White, Split, Military Only
13----	820080	O-ring
14----	101504	Spring
15----	105940	HP Seat
----	105321	HP Seat, Military Only
16----	105333	Body, Conshelf XIV
17----	105323	Pin
18----	101727	Pin Support
19----	820011P	O-ring (3/8" Port) (25 pk)
20----	910912	Plug, MP Port, 3/8 inch
----	104304	Plug, MP Port, 3/8 inch
21----	957004P	O-ring (7/16" HP Port) (25 pk)
22----	101785	Adapter, HP, 7/16" Female to 3/8" Male
23----	910912	Plug, HP Port, 3/8 inch, Con XIV, pre-1998
24----	102003	Plug, HP Port, 7/16 inch
25----	103425	Diaphragm, Grey, w/Thrust Washer
25a----	103429	Diaphragm, Black, Military
25b----	821026	Thrust Washer, Military
26----	101728	Spring Pad
27----	105326	Spring Retainer

Key #	Part #	Description
28----	105327	Spring
29----	845097	Washer, Main Spring (non-oil filled only)
30----	101549	Adjustment Screw
Used on Supreme Models		
28----	105944	Spring (Supreme only)
31----	108851	Spring Retainer, Supreme
32----	108853	Secondary Diaphragm, Supreme
33----	108854	Diaphragm Retainer, Supreme
N/S----	108855	Silicone Fluid, 2 oz., Military Only
N/S----	108865	Silicone Fluid, 2 oz.
Used with "Dry" Environmental Kit		
----	100525	Dry Environmental Kit, Conshelf, Complete
34----	124560	Spring Pad
35----	106317	Spring Retainer
36----	106356	Spring
37----	106026	Adjustment Screw
38----	106319	Piston
39----	106338	Decal
40----	106337	External Diaphragm
41----	106318	Diaphragm Retainer
DIN Kit		
----	107455	DIN Adapter Kit, Conshelf
42----	107441	Protector Cap, DIN Connector
43----	820094	O-ring
44----	106056	Handwheel Retainer, Conshelf
45----	820039	O-ring
46----	108652	Handwheel, Conshelf, 300 BAR
47----	106057	DIN Adapter, Conshelf
48----	820014	O-ring

Part numbers in **BOLD ITALICS** indicate standard overhaul replacement part.

Cousteau • SEA

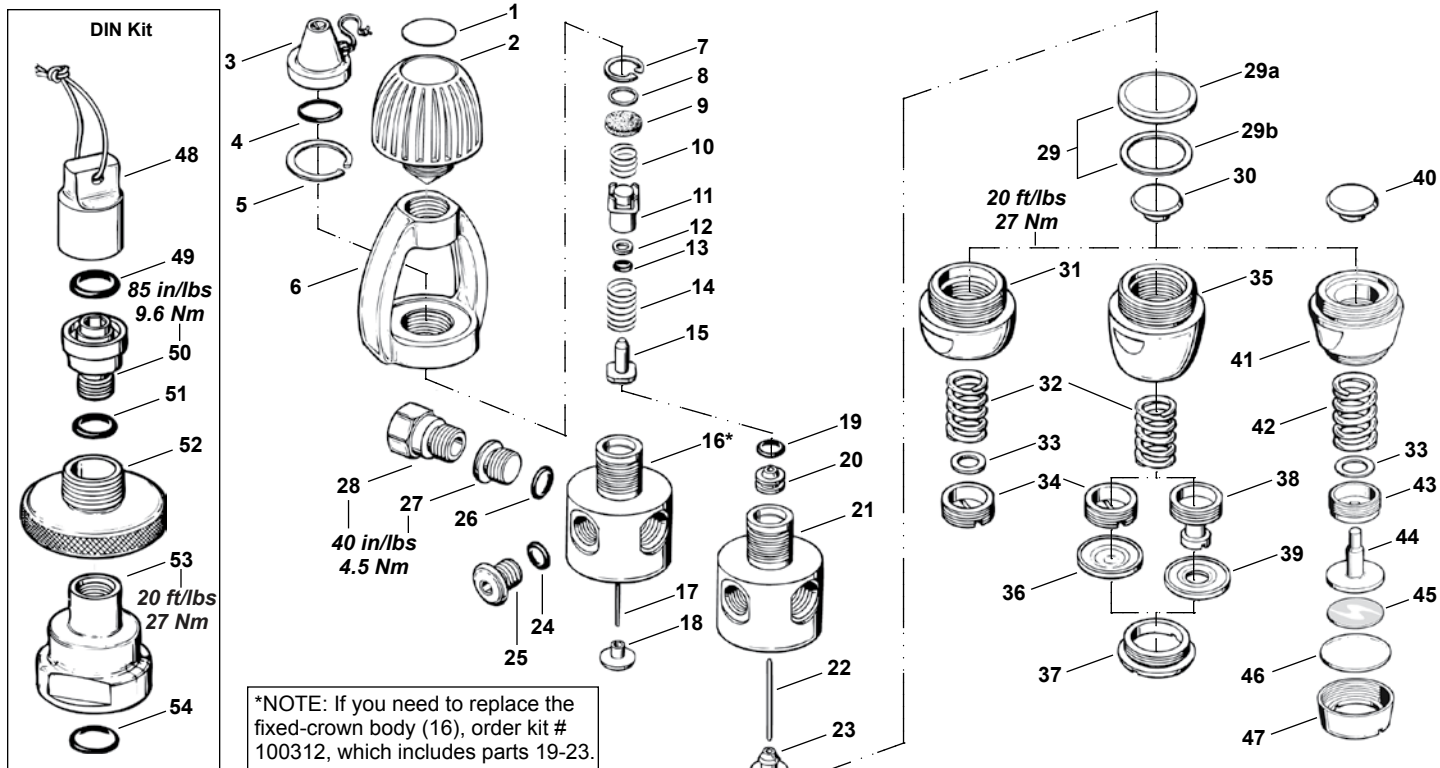


Key #	Part #	Description
----	100511	First Stage, Cousteau, Yoke
----	100521	First Stage, Cousteau Dry, Yoke
----	900000	Overhaul Parts Kit
1----	107507	Yoke Screw
2----	103114	Dust Cap
3----	820094	O-ring
4----	863051	Circlip
5----	106839	Filter
6----	820014	O-ring
7----	106339	Inlet Fitting
8----	124611	Yoke
9----	820013	O-ring
10----	106322	Body
11----	106027	Crown
12----	820038	O-ring
13----	105940	HP Seat
14----	101509	Spring Kit (includes both springs)
15----	820080	O-ring
16----	119129	Backup Ring
17----	101565	Balance Chamber
18----	824407	O-ring
19----	106327	End Plug
20----	957004P	O-ring (25 pk)
21----	106303	Plug, HP Port, 7/16 inch
22----	820011P	O-ring (25 pk)
23----	106304	Plug, MP Port, 3/8 inch

Key #	Part #	Description
24----	106323	Pin
25----	106022	Pin Support
26----	103425	Diaphragm w/ Thrust Washer
27----	124560	Spring Pad
28----	106324	Spring Retainer
29----	106356	Spring
30----	845097	Washer
31----	106026	Adjustment Screw
Dry Environmental Chamber (Cousteau or SEA)		
----	100525	Dry Environmental Kit, Complete
32----	106317	Spring Retainer, Dry
33----	106319	Piston
34----	106338	Decal
35----	106337	External Diaphragm
36----	106318	Diaphragm Retainer
Cousteau/SEA DIN Adapter		
----	106345	DIN Adapter Kit
37----	107441	Protector Cap, DIN Connector
38----	NLA	Filter Retainer
39----	820094	O-ring
40----	820010P	O-ring (pre-1999 models only) (25 pk)
41----	106326	Filter
42----	106333	Inlet Fitting
43----	NLA	Handwheel

Part numbers in **BOLD ITALICS** indicate standard overhaul replacement part.

Conshelf SE3 • SE2 • SE2 Supreme

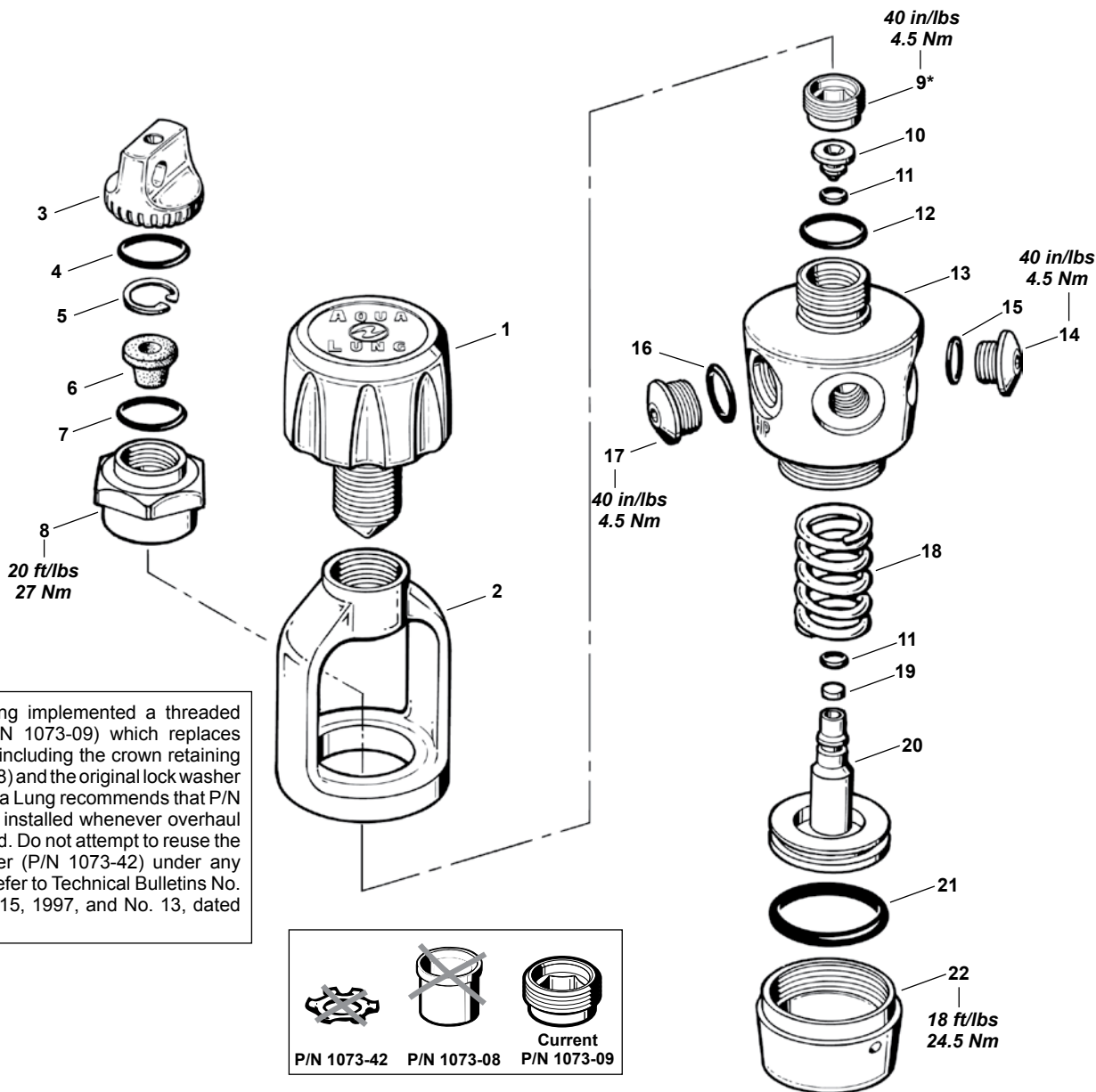


*NOTE: If you need to replace the fixed-crown body (16), order kit # 100312, which includes parts 19-23.

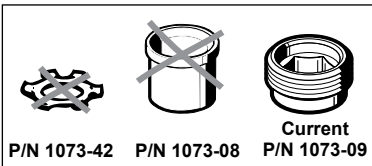
Key #	Part #	Description	Key #	Part #	Description
-----	900001	Overhaul Parts Kit	29b ---	821026	Thrust Washer, Military
-----	107495	Overhaul Parts Kit, Milit. SE2 (1st & 2nd)	30 ---	101728	Spring Pad
1 ---	NLA	Decal	31 ---	105926	Spring Retainer (fine thread)
2 ---	107506	Yoke Screw	-----	105326	Spring Retainer (coarse thread)
3 ---	101012	Dust Cap	32 ---	105327	Spring (fine & coarse thread non-Supreme)
4 ---	820120	O-ring	33 ---	845097	Washer, Main Spring (non-oil filled only)
5 ---	861068	Retaining Ring	34 ---	106023	Adjustment Screw (fine thread)
6 ---	700418	Yoke	-----	101549	Adjustment Screw (coarse thread)
7 ---	863051	Retaining Ring	Used on Supreme Models		
8 ---	124628	Washer, Stainless	32 ---	105944	Spring (coarse thread Supreme only)
9 ---	105106	Filter	-----	105327	Spring (fine thread & EFA Supreme)
10 ---	104613	Spring	35 ---	105927	Spring Retainer, Supreme (fine thread)
11 ---	105324	Balance Chamber	-----	108851	Spring Retainer, Supreme (coarse thread)
12 ---	828005	Back-up Ring, Split, White, Military Use	36 ---	108853	Secondary Diaphragm, Supreme
-----	119129	Back-up Ring, Black, Non-Split	37 ---	108854	Diaphragm Retainer, Supreme
13 ---	820080	O-ring	N/S ---	108865	Silicone Fluid, 2 oz.
14 ---	101504	Spring	N/S ---	108855	Silicone Fluid, 2 oz., Military Only
15 ---	105940	HP Seat	Used Only on Externally Fine Adjustable Supreme		
Used on Fixed Crown Models			38 ---	105936	Adjustment Screw, EFA Supreme
16* ---	100312	Body Replacement Kit, includes part 19-23 (see *NOTE)	39 ---	108852	Secondary Diaphragm, EFA Supreme
17 ---	102002	Pin	Used with "Dry" Environmental Kit		
18 ---	101569	Pin Support	-----	100525	Dry Environmental Kit, Conshelf, Complete
Used on Removable Crown Models			40 ---	124560	Spring Pad
19 ---	820038	O-ring	41 ---	106317	Spring Retainer
20 ---	106027	Crown	42 ---	106356	Spring
21 ---	100301	Body	43 ---	106026	Adjustment Screw
22 ---	106323	Pin	44 ---	106319	Piston
23 ---	106022	Pin Support	45 ---	106338	Decal
24 ---	957025	O-ring (1/2" Port)	46 ---	106337	External Diaphragm
-----	820011P	O-ring (3/8" Port) (25 pk)	47 ---	106318	Diaphragm Retainer
25 ---	102004	Plug, MP Port, 1/2 inch	DIN Kit		
-----	104304	Plug, MP Port, 3/8 inch	-----	107455	DIN Adapter Kit, Conshelf
26 ---	957004P	O-ring (7/16" HP Port) (25 pk)	48 ---	107441	Protector Cap, DIN Connector
27 ---	102003	Plug, HP Port, 7/16 inch	49 ---	820094	O-ring
28 ---	102085	Adapter, HP, 3/8" Fem. to 7/16" Male	50 ---	106056	Handwheel Retainer, Conshelf
29 ---	103425	Diaphragm Kit, Grey, w/Thrust Washer	51 ---	820039	O-ring
29a ---	103429	Diaphragm, Black, Military	52 ---	108652	Handwheel, Conshelf, 300 BAR
			53 ---	106057	DIN Adapter, Conshelf
			54 ---	820014	O-ring

Part numbers in **BOLD ITALICS** indicate standard overhaul replacement part.

Calypso (98-04) • Partner



*NOTE: Aqua Lung implemented a threaded crown retainer (P/N 1073-09) which replaces previous versions, including the crown retaining sleeve (P/N 1073-08) and the original lock washer (P/N 1073-42). Aqua Lung recommends that P/N 1073-09 should be installed whenever overhaul service is performed. Do not attempt to reuse the original lock washer (P/N 1073-42) under any circumstances. (Refer to Technical Bulletins No. 11, dated October 15, 1997, and No. 13, dated June 15, 1999.)

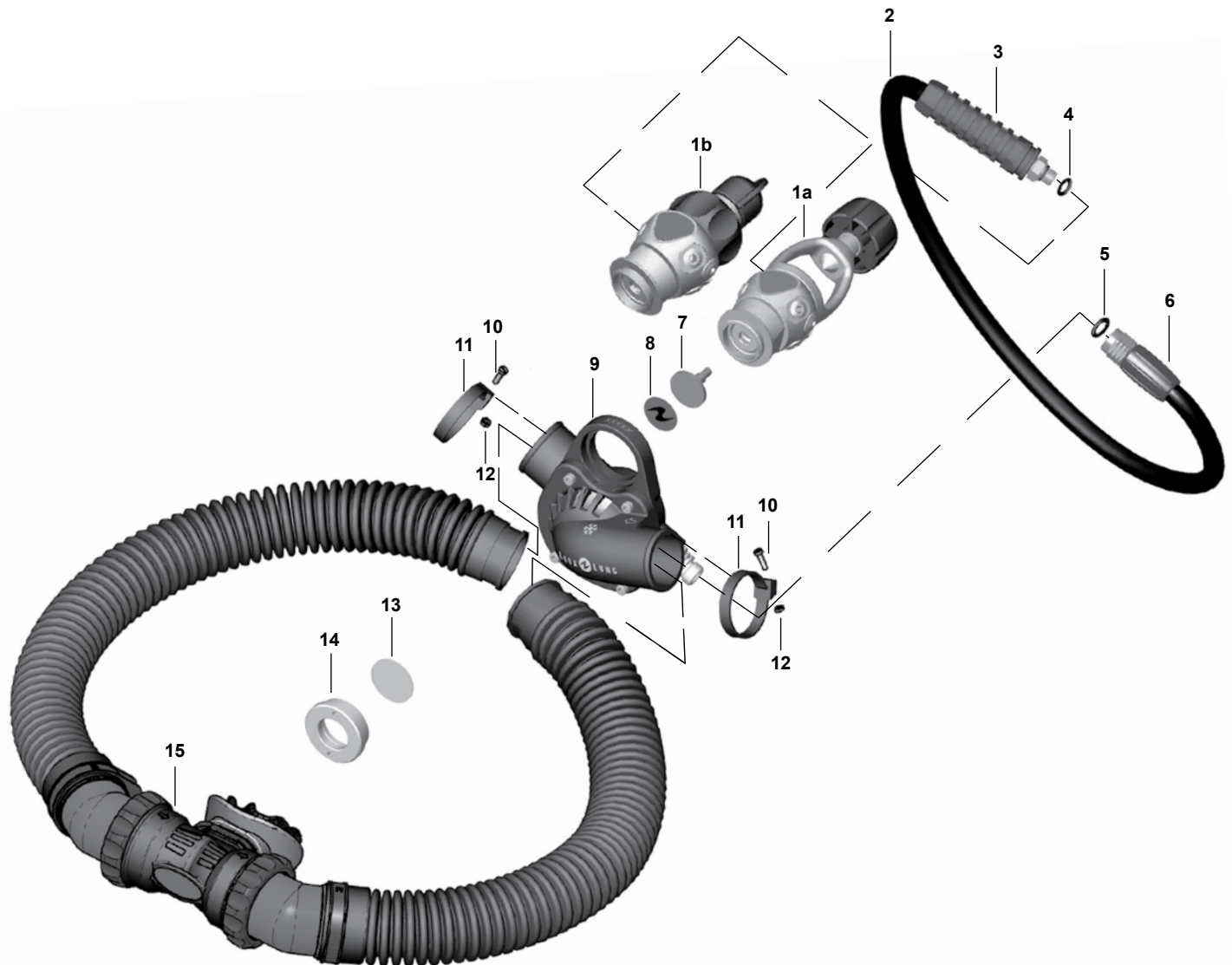


Key #	Part #	Description
-----	900002	Overhaul Parts Kit
1----	107507	Yoke Screw, Black, Aqua Lung
-----	107508	Yoke Screw, Green, Nitrox, O2
2----	106843	Yoke, Satin, Calypso
3----	103114	Dust Cap w/O-ring
4----	820094	O-ring
5----	863051	Circlip
6----	106839	Filter
7----	820014	O-ring
8----	106736	Yoke Retainer
9*----	107309	Crown Retainer (see *NOTE)
10----	106767	Crown
11----	820007	O-ring

Key #	Part #	Description
12----	820088	O-ring
13----	105101	Body, Calypso
14----	103133	Plug, MP Port, 3/8 inch
15----	820011P	O-ring (25 pk)
16----	957004P	O-ring (25 pk)
17----	103137	Plug, HP Port, 7/16 inch
18----	106771	Spring
19----	106726	HP Seat
20----	125717	Piston
21----	820062	O-ring
22----	105102	Piston Cap, Calypso

Part numbers in **BOLD ITALICS** indicate standard overhaul replacement part.

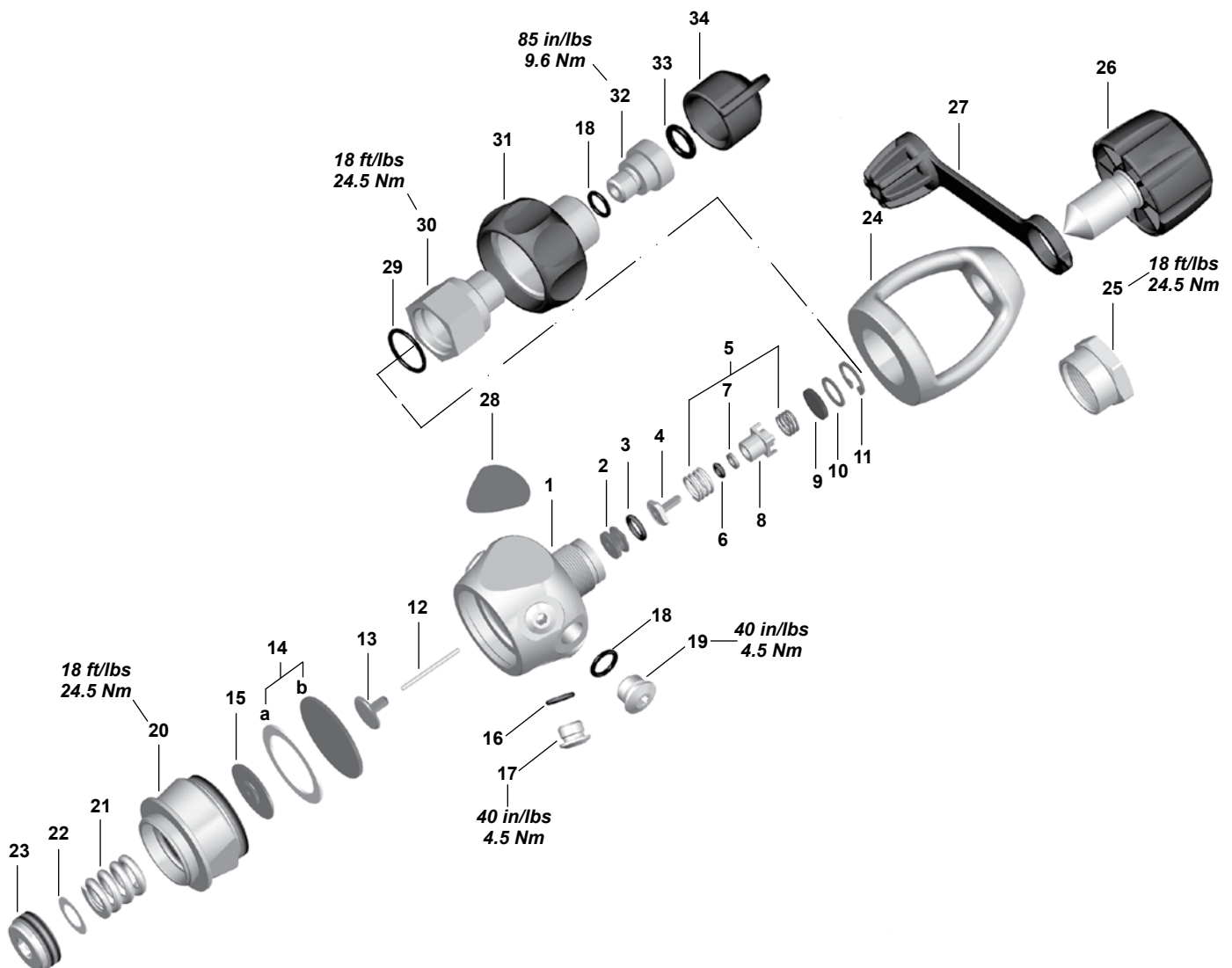
Regulator



Key #	Part #	Description
-----	900016	Overhaul Parts Kit, Entire Mistral
1a ----	125902	First Stage, Mistral, Yoke
1b ----	125903	First Stage, Mistral, DIN
2 ----	125932	Mistral MP hose - 630 mm
-----	125934	Mistral MP Hose - 245 mm
3 ----	102067	Hose Protector, Black
4 ----	820011P	O-ring (25 pk)
5 ----	820010P	O-ring (25 pk)
6 ----	129160	Hose Sleeve, Black
7 ----	106319	Piston
8 ----	125713	Aqua Lung logo decal
9 ----	125920	Mistral 2nd Stage
10 ----	125975	Screw
11 ----	125958	Clamping band "R"
12 ----	125976	Nut
13 ----	106337	Diaphragm
14 ----	125924	Diaphragm retainer
15 ----	125910	Mistral mouthpiece

Part numbers in **BOLD ITALICS** are included in the service kit.

First Stage

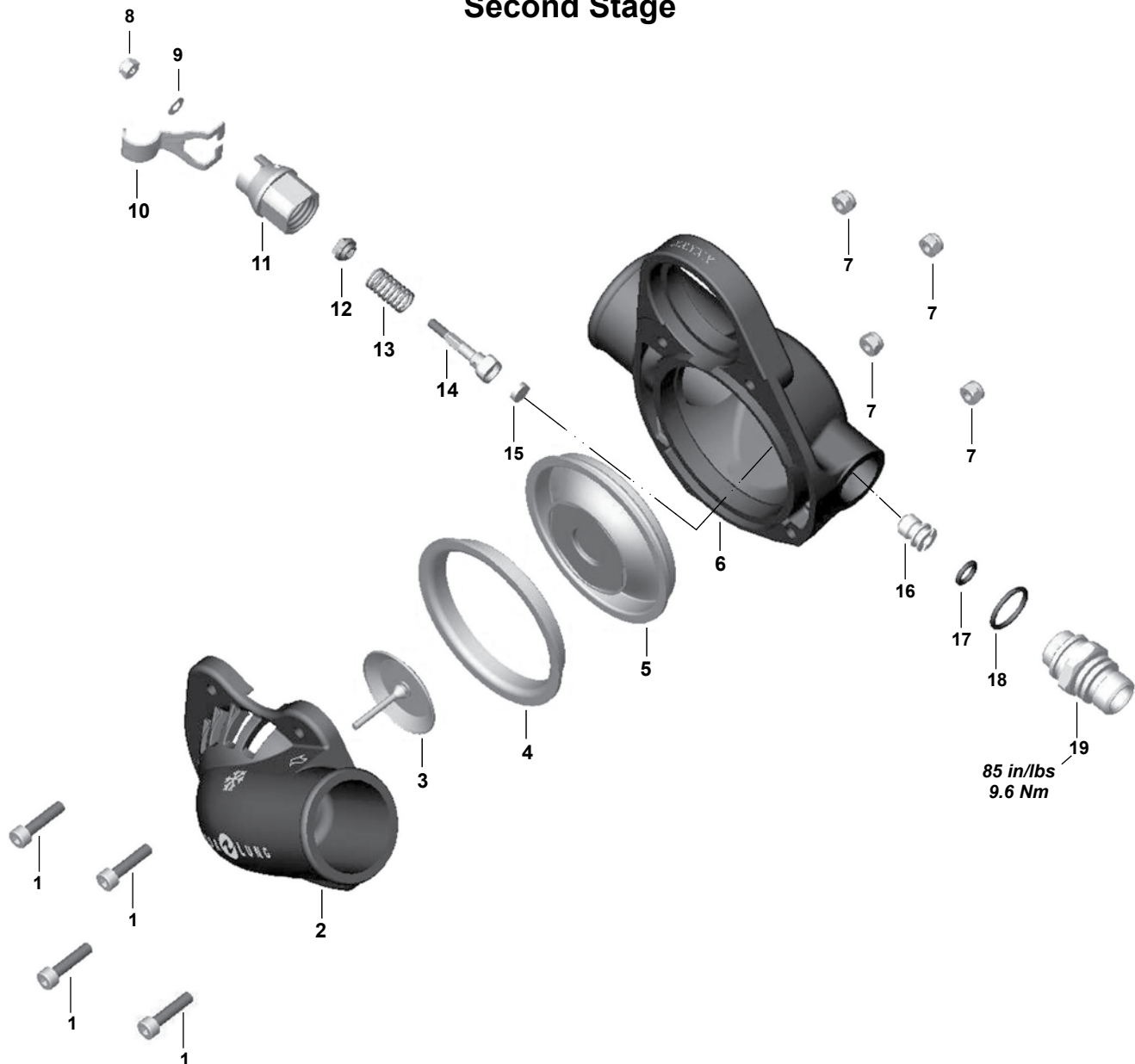


Key #	Part #	Description
-----	125902	Mistral First Stage, Yoke
-----	125903	Mistral First Stage, DIN
-----	900016	Overhaul Parts Kit, Entire Mistral
1-----	103101	Body
2-----	106027	Crown
3-----	820038	O-ring
4-----	105940	HP Seat
5-----	101509	Spring Kit (includes both springs)
6-----	820080	O-ring
7-----	119129	Backup Ring
8-----	105324	Spring Block
9-----	105106	Filter
10-----	124628	Filter Washer
11-----	863051	Circlip
12-----	102002	Pin
13-----	101569	Pin Support
14-----	103425	Diaphragm Kit (includes thrust washer, 14a, and diaphragm, 14b)

Key #	Part #	Description
15-----	124560	Spring Pad
16-----	820011P	O-rings (25 pk)
17-----	103133	Plug, MP Port, 3/8 inch
18-----	820072	O-ring
19-----	103137	Plug, HP Port, 7/16 inch
20-----	125923	Spring Retainer
21-----	106356	Spring
22-----	845097	Washer
23-----	106026	Adjustment Screw
24-----	106843	Yoke
25-----	103162	Yoke Retainer
26-----	107507	Yoke Screw
27-----	124555	Dust Cap
28-----	129151	Mistral Decal
29-----	820017	O-ring
30-----	103174	DIN Adapter
31-----	103176	Handwheel
32-----	106056	Handwheel Retainer
33-----	820094	O-ring
34-----	107441	DIN Cap

Part numbers in **BOLD ITALICS** are included in the service kit.

Second Stage



Key # Part

Description

-----	125920	Mistral Second Stage
-----	900016	Overhaul Parts Kit, Entire Mistral
1----	125929	Screw, caphead
2----	125935	Exhalation box
3----	129174	Exhaust valve
4----	124509	Sealing ring
5----	125705	Diaphragm
6----	125937	Inhalation box
7----	125928	Locknut
8----	102510	Locknut

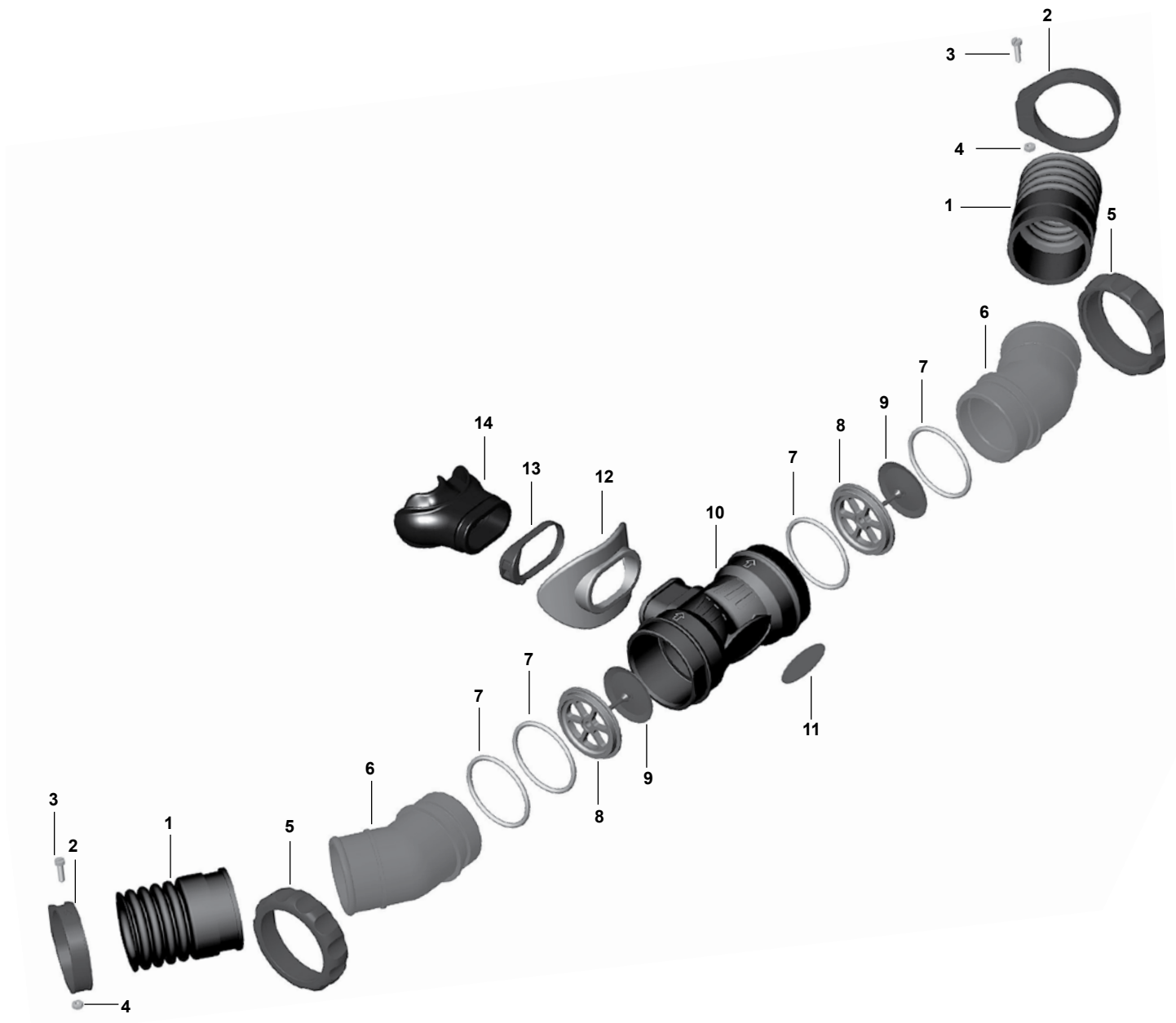
Key # Part

Description

9----	104129	Washer
10----	125708	Lever
11----	125931	Valve insert
12----	104134	Poppet bearing
13----	104127	Spring
14----	104122	Poppet
15----	106738	MP seat
16----	100128	Crown orifice
17----	820010P	O-ring (25 pk)
18----	820015P	O-ring (10 pk)
19----	104106	Inlet fitting

Part numbers in **BOLD ITALICS** are included in the service kit.

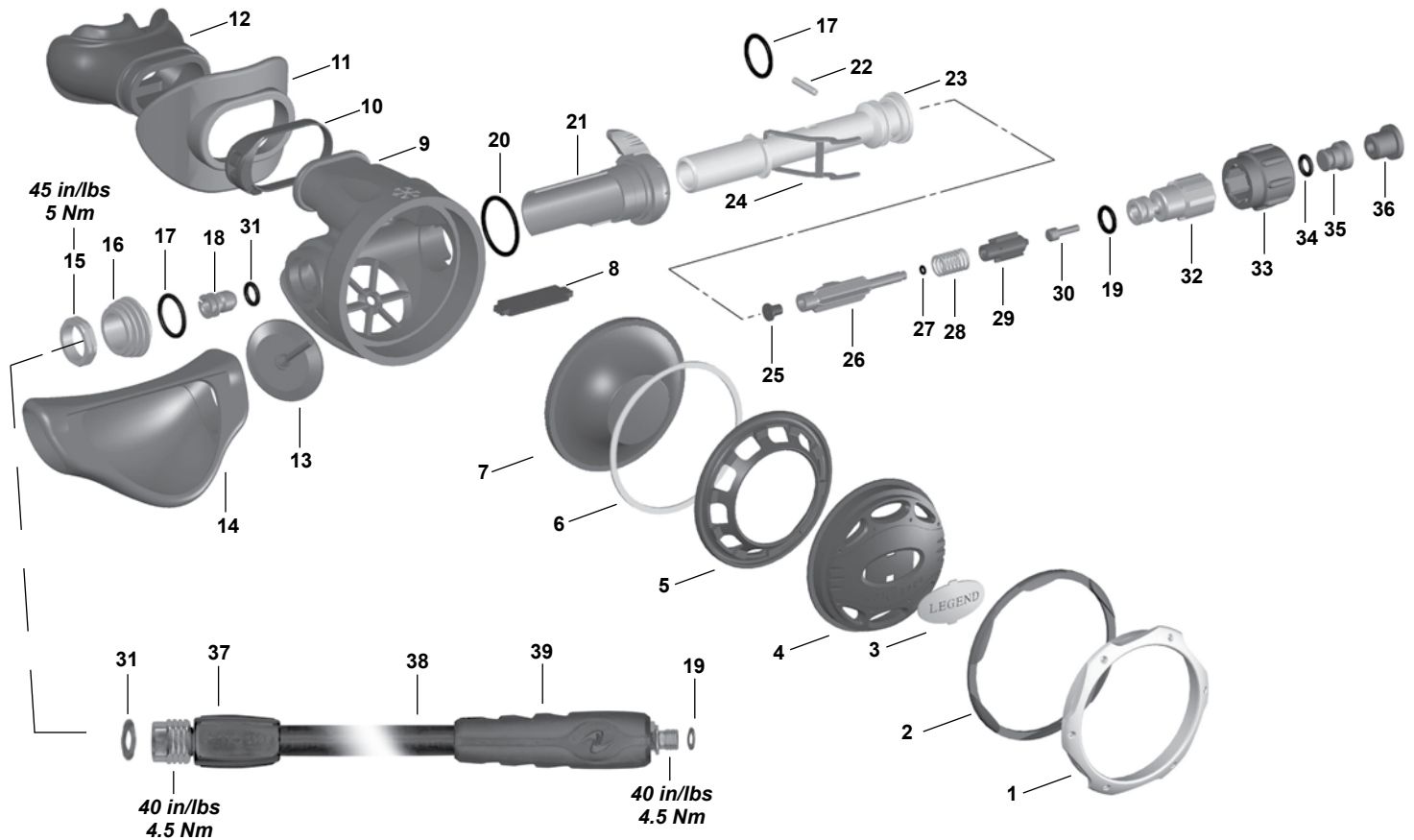
Mouthpiece



Key #	Part #	Description
----	125910	Mistral Mouthpiece
----	900016	Overhaul Parts Kit, Entire Mistral
N/S	125977	Upgrade Kit, angled connectors (including items 2, 3, 4 and 6)
1----	125930	Corrugated hose
2----	125939	Clamping band "M"
3----	125975	Screw
4----	125976	Nut
5----	125914	Connector ring
6----	125979	Connector, angled
7----	125915	O-ring
8----	125912	Mouthpiece valve support
9----	125925	Inhale-Exhale valve
10----	125918	Mouthpiece body
11----	125916	Mouthpiece decal
12----	109512	Lip shield
13----	129154	Mouthpiece clamp
14----	109438	Comfobite mouthpiece

Part numbers in **BOLD ITALICS** are included in the service kit.

Legend LX • Legend LX Supreme



Key #	Part #	Description
-------	--------	-------------

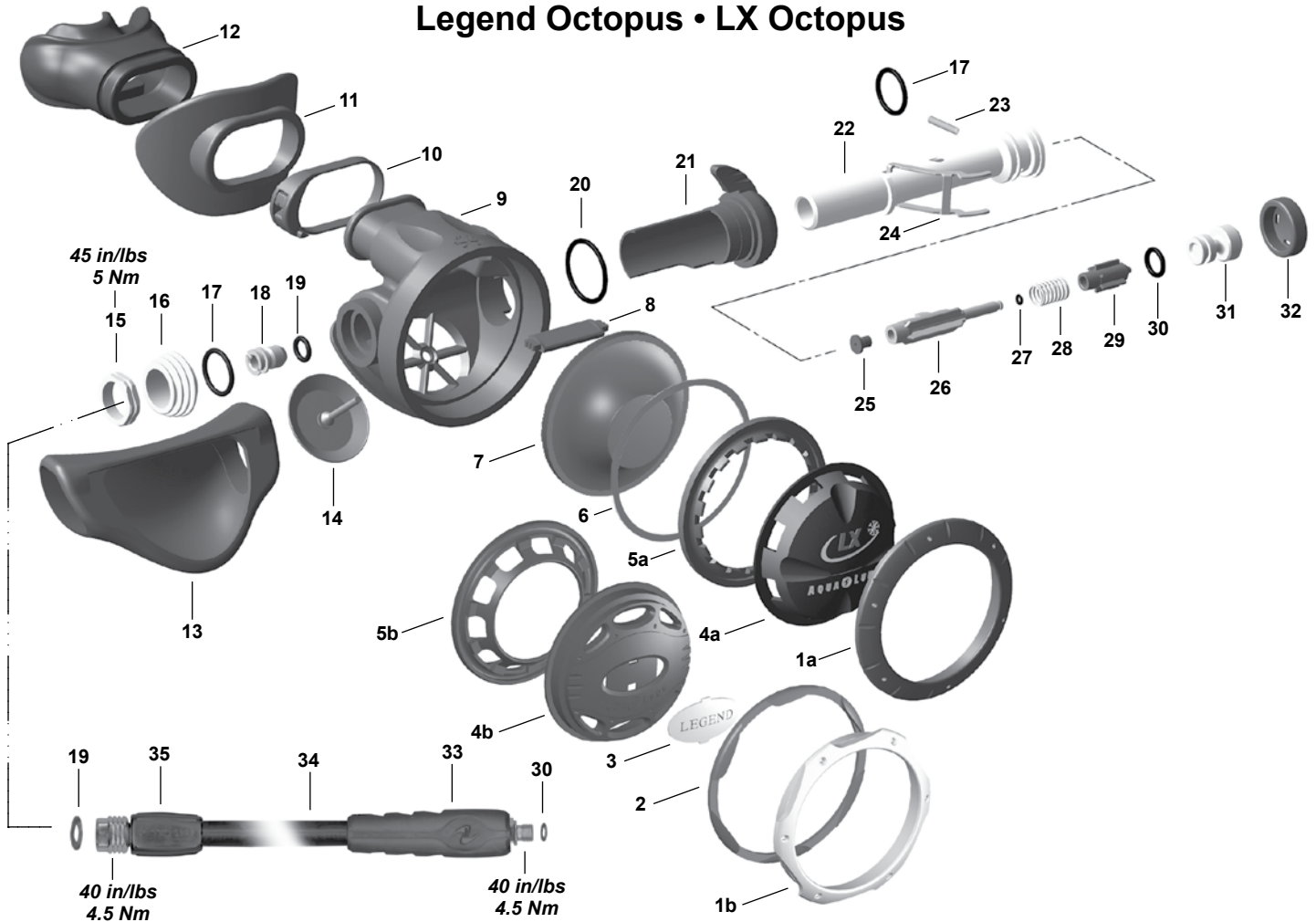
-----	900012	Overhaul Parts Kit
-----	129080	Legend LX, Second Stage Only
-----	129090	Legend LX Supreme, Second Stage Only
1 ----	129179	Retaining Ring, Gold
-----	129171	Retaining Ring, Silver
2 ----	129173	Mating Ring, Rubber
3 ----	129187	Nameplate, Legend
N/S ---	129236	Purge Cover, Legend, Black, 2008
4 ----	129172	Purge Cover
5 ----	129195	Diaphragm Retainer
6 ----	129133	Thrust Washer
7 ----	129150	Diaphragm
8 ----	129184	Baffle
9 ----	129155	Box Bottom, LX
-----	129185	Box Bottom, LX Supreme
10 ----	129154	Mouthpiece Clamp
11 ----	109512	Lip Shield, Supreme Model
12 ----	109438	Mouthpiece, ComfoBite
-----	104138	Mouthpiece, Standard
13 ----	129174	Exhaust Valve
14 ----	104102	Exhaust Tee
15 ----	AP2031	Retaining Nut
16 ----	129148	Heat Exchanger

Key #	Part #	Description
-------	--------	-------------

17 ----	820015P	O-ring (10 pk)
18 ----	AP2033	Crown
19 ----	820011P	O-ring (25 pk)
20 ----	AP1438	O-ring
21 ----	129138	Venturi Lever
22 ----	AP1151	Pin
23 ----	129146	Valve Body
24 ----	129178	Lever
25 ----	AP2034	MP Seat
26 ----	AP2036	Shuttle Valve
27 ----	AP2041	O-ring
28 ----	AP2021	Spring
29 ----	AP2038	Counterbalance Chamber
30 ----	129129	Adjustment Pin
31 ----	820010P	O-ring (25 pk)
32 ----	129147	Adjustment Knob
33 ----	129130	Grip
34 ----	820009	O-ring
35 ----	129135	Adjusting Screw
36 ----	129142	Plug
37 ----	129160	Hose Sleeve
38 ----	APF124563	MP Hose, 3/8" x 30", w/Protector
39 ----	124570	Hose Protector, Black

Part numbers in **BOLD ITALICS** indicate standard overhaul replacement part.

**Titan LX • Titan LX Supreme • Legend • Legend Supreme •
Legend Octopus • LX Octopus**

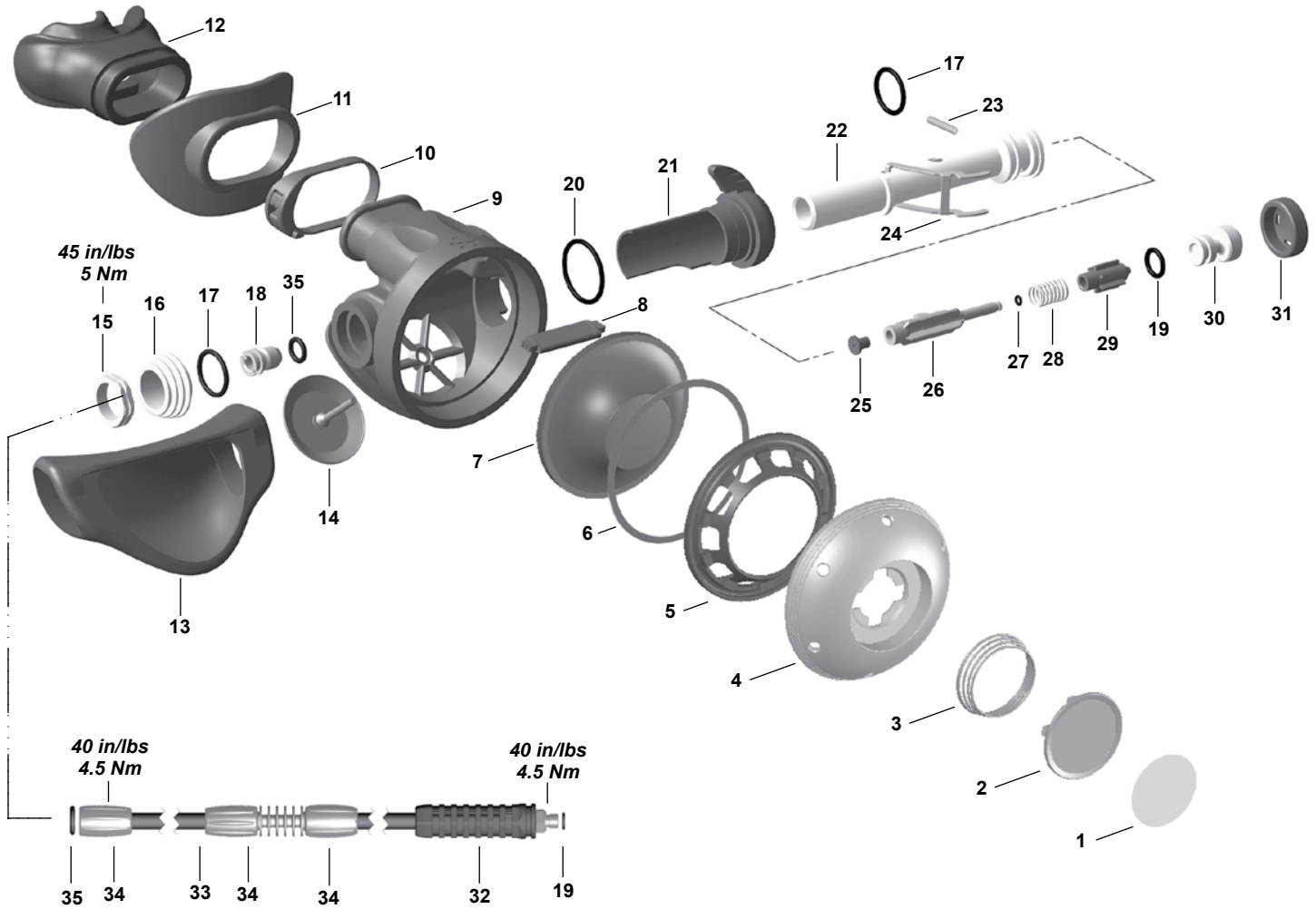


Key #	Part #	Description
-----	900012	Overhaul Parts Kit
-----	129325	Titan LX, Second Stage Only
-----	129330	Titan LX Supreme, Second Stage Only
-----	129104	Legend, Second Stage Only
-----	129108	Legend Supreme, Second Stage Only
1a	129141	Retaining Ring, Black
-----	129181	Retaining Ring, Yellow
1b	129179	Retaining Ring, Gold
-----	129171	Retaining Ring, Silver
2	129173	Mating Ring, Rubber
3	129187	Nameplate, Legend
4a	129156	Purge Cover, Titan LX
-----	129157	Purge Cover, Titan LX Supreme
-----	129182	Purge Cover, Titan/LX Octopus
4b	129172	Purge Cover, Legend
N/S	129236	Purge Cover, Legend, Black, 2008
N/S	129237	Purge Cover, Legend, Yellow, 2008
5a	129132	Diaphragm Retainer, Titan LX
5b	129195	Diaphragm Retainer, Legend
6	129133	Thrust Washer
7	129150	Diaphragm
8	129184	Baffle
9	129164	Box Bottom
-----	129188	Box Bottom, Legend Supreme
10	129154	Mouthpiece Clamp
11	109512	Lip Shield, Supreme Model
12	109438	Mouthpiece, ComfoBite

Key #	Part #	Description
-----	104138	Mouthpiece, Standard
13	104102	Exhaust Tee
14	129174	Exhaust Valve
15	AP2031	Retaining Nut
16	129148	Heat Exchanger
17	820015P	O-ring (10 pk)
18	AP2033	Crown
19	820010P	O-ring (25 pk)
20	AP1438	O-ring
21	129139	Venturi Lever, Black
-----	129183	Venturi Lever, Yellow
22	129146	Valve Body
23	AP1151	Pin
24	129178	Lever
25	AP2034	MP Seat
26	AP2036	Shuttle Valve
27	AP2041	O-ring
28	AP2021	Spring
29	AP2038	Counterbalance Chamber
30	820011P	O-ring (25 pk)
31	129162	Adjustment Screw
32	129161	Plug
33	124570	Hose Protector, Black
-----	124573	Hose Protector, Yellow
34	APF124563	MP Hose, 3/8" x 30", w/Protector
-----	APF124566	MP Hose, 3/8" x 39", Yellow, w/ Protector
35	129160	Hose Sleeve

Part numbers in **BOLD ITALICS** indicate standard overhaul replacement part.

Legend Glacia • Glacia Octopus

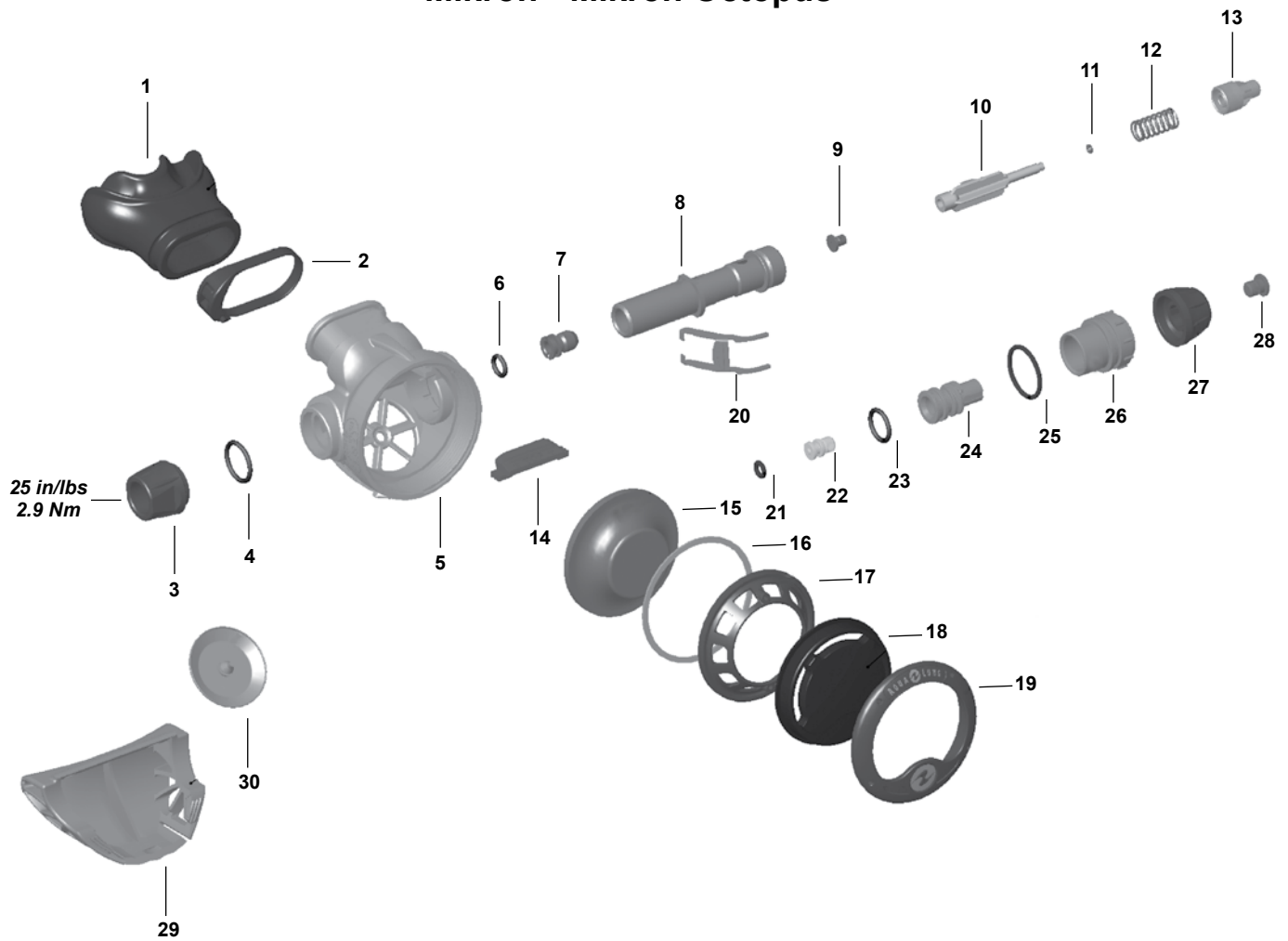


Key #	Part #	Description
-----	129348	Second Stage, Glacia
-----	900012	Overhaul Parts Kit
1----	129344	Decal, Purge Button, Glacia
-----	129354	Decal, Purge Button, Glacia Octo
2----	AP5805	Purge Button
3----	AP2020	Spring
4----	129351	Purge Cover, Glacia
5----	129132	Diaphragm Retainer
6----	129133	Thrust Washer
7----	129150	Diaphragm
8----	129184	Baffle
9----	129188	Box Bottom
10----	129154	Mouthpiece Clamp
11----	109512	Lip Shield
12----	109438	Mouthpiece, ComfoBite
-----	104138	Mouthpiece, Standard
13----	104102	Exhaust Tee
14----	129174	Exhaust Valve
15----	AP2031	Retaining Nut
16----	129148	Heat Exchanger
17----	820015P	O-ring (10 pk)

Key #	Part #	Description
18----	AP2033	Crown
19----	820011P	O-ring (25 pk)
20----	AP1438	O-ring
21----	129139	Venturi Lever, Black
22----	129146	Valve Body
23----	AP1151	Pin
24----	129178	Lever
25----	AP2034	MP Seat
26----	AP2036	Shuttle Valve
27----	AP2041	O-ring
28----	AP2021	Spring
29----	AP2038	Counterbalance Chamber
30----	129162	Adjustment Screw
31----	129161	Plug
32----	102067	Hose Protector, Black
-----	102068	Hose Protector, Yellow
33----	129343	MP Hose w/Heat x, 3/8x30
-----	129352	MP Hose w/Heat x, Yellow 3/8x36
34----	129160	Hose Sleeve
35----	820010P	O-ring (25 pk)

Part numbers in **BOLD ITALICS** indicate standard overhaul replacement part.

Mikron • Mikron Octopus



Key #	Part #	Description
-------	--------	-------------

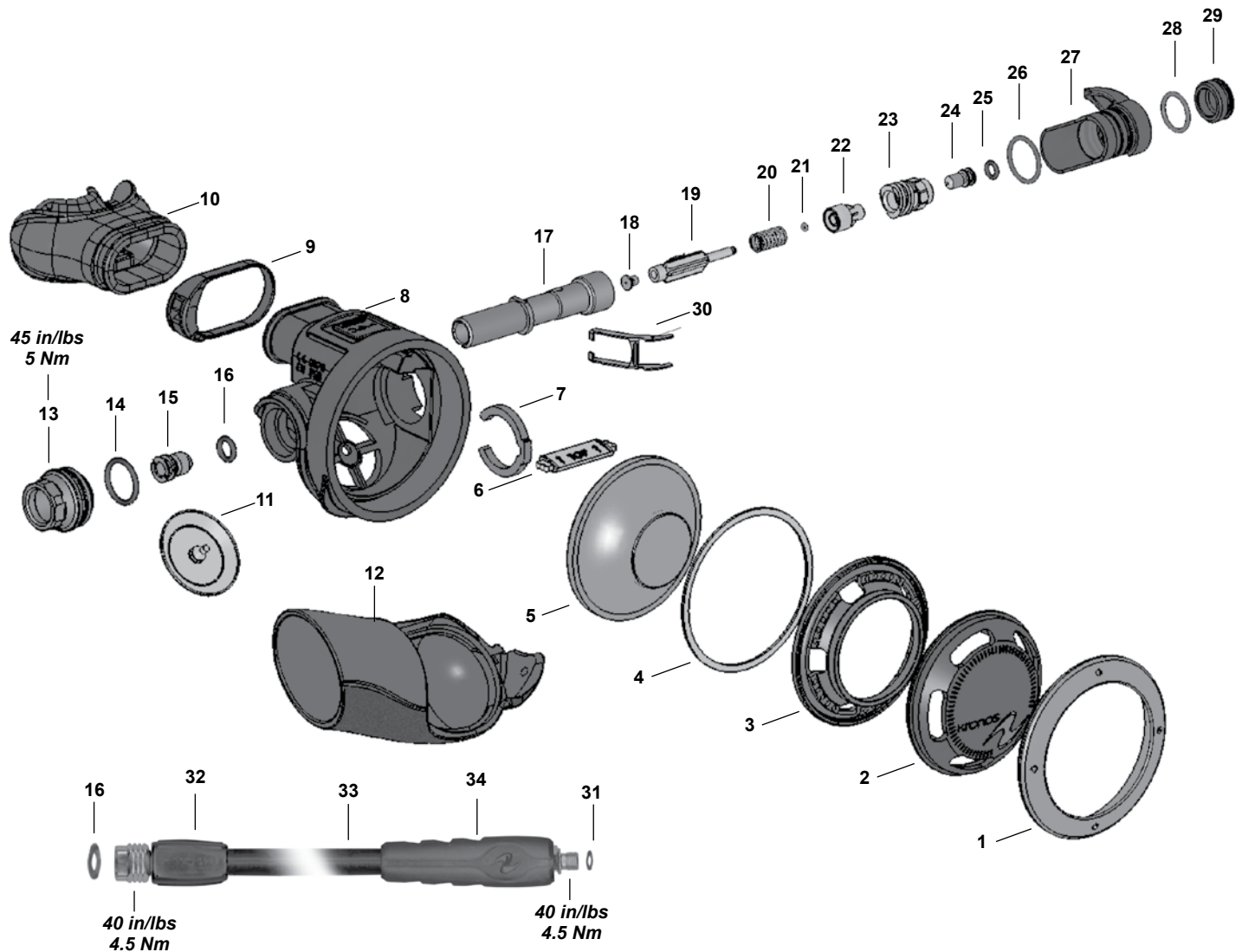
-----	900012	Overhaul Parts Kit
1----	109348	Mouthpiece, Comfobite
----	104138	Mouthpiece, Standard
2----	129154	Mouthpiece Clamp
3----	127818	Insert Screw
4----	820015P	O-ring (10 pk)
5----	127842	Case, Mikron
6----	820010P	O-ring (25 pk)
7----	AP2033	Crown
8----	127817	Valve Body
9----	AP2034	MP Seat
10----	AP2036	Shuttle Valve
11----	AP2041	O-ring
12----	AP2021	Spring
13----	127607	Counterbalance Chamber
14----	127817	Baffle
15----	127816	Diaphragm
16----	127815	Washer, Diaphragm
17----	127814	Retainer, Diaphragm
----	127832	Retainer, Diaphragm, Red

Key #	Part #	Description
-------	--------	-------------

18----	127836	Purge Cover, Mikron, Black
----	127838	Purge Cover, Mikron, Vanilla
----	127848	Purge Cover, Mikron, Yellow
19----	127843	Retaining Ring, Mikron
20----	127828	Lever
21----	820007	O-ring
22----	127823	Adjustment Screw
23----	820013	O-ring
24----	127822	Cam, Mikron
25----	AP1438	O-ring
26----	127819	Screw, Valve Body
27----	127821	Adjusting Knob
28----	127824	Plug, Mikron, Red
----	127833	Plug, Mikron, Vanilla
----	127846	Plug, Mikron, Yellow
29----	127825	Exhaust Tee
30----	129174	Exhaust Valve
N/S---	129861	MP Hose, Aquaflex 3/8" x 30"
N/S---	APF124566	MP Hose, 3/8" x 39", Yellow w/ Protector

Part numbers in **BOLD ITALICS** indicate standard overhaul replacement part.

Kronos • Kronos Supreme • Kronos Octopus



Key #	Part #	Description
-------	--------	-------------

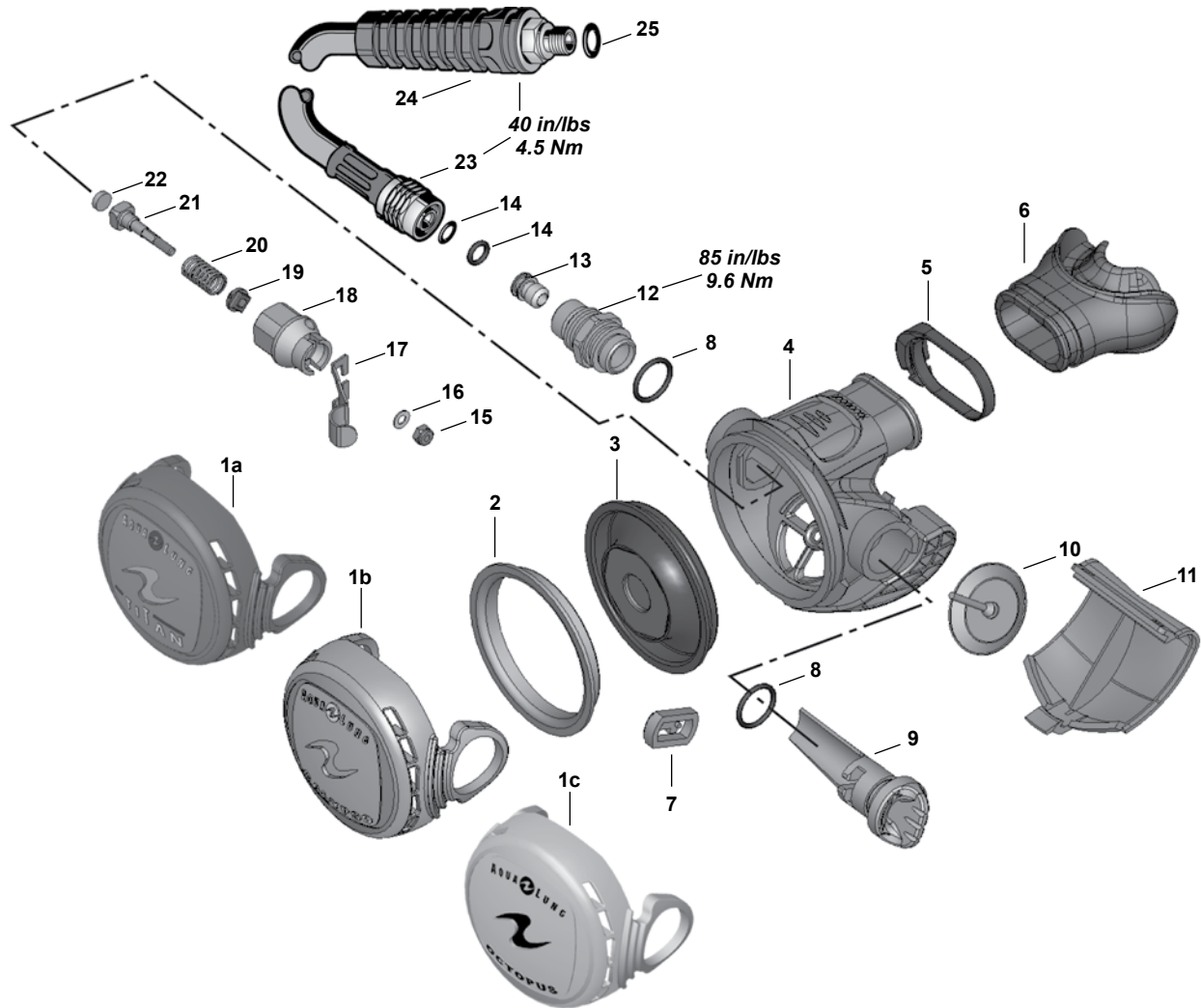
----	127600	Second Stage, Kronos
----	127610	Second Stage, Kronos Supreme
----	900012	Overhaul Parts Kit
1----	127602	Retaining Ring, Kronos
----	127621	Retaining Ring, Kronos Octo
2----	127614	Purge Cover, Kronos
----	127615	Purge Cover, Kronos Supreme
----	127616	Purge Cover, Kronos Octo
3----	127625	Diaphragm Retainer
4----	129133	Washer
5----	129150	Diaphragm
6----	129184	Baffle
7----	127612	Clip
8----	127617	Case, Kronos
----	127618	Case, Kronos Supreme
9----	129154	Mouthpiece Clamp
10----	109438	Mouthpiece, ComfoBite
----	104138	Mouthpiece, Standard
11----	129174	Exhaust Valve
12----	127622	Exhaust Tee, Kronos
13----	127606	Heat Exchanger
14----	820015P	O-ring (10 pk)

Key #	Part #	Description
-------	--------	-------------

15----	AP2033	Crown
16----	820010P	O-ring (25 pk)
17----	127605	Valve Body
18----	AP2034	MP Seat
19----	AP2036	Shuttle Valve
20----	AP2021	Spring
21----	AP2041	O-ring
22----	127607	Counterbalance Chamber
23----	127609	Cam
24----	127608	Adjusting Screw
25----	820009	O-ring
26----	AP1438	O-ring
27----	127626	Venturi Lever
28----	820016	O-ring
29----	127624	Plug
30----	129178	Lever
31----	820011P	O-ring (25 pk)
32----	129160	Hose Sleeve
33----	APF124563	MP Hose 3/8" x 30", w/ Protector
----	APF124566	MP Hose 3/8" x 39", yel, w/ Protector
34----	124570	Hose Protector, Black
----	124573	Hose Protector, Yellow

Part numbers in **BOLD ITALICS** indicate standard overhaul replacement part.

**Titan • Calypso • Calypso O2 • Octopus
(2004 - present)**

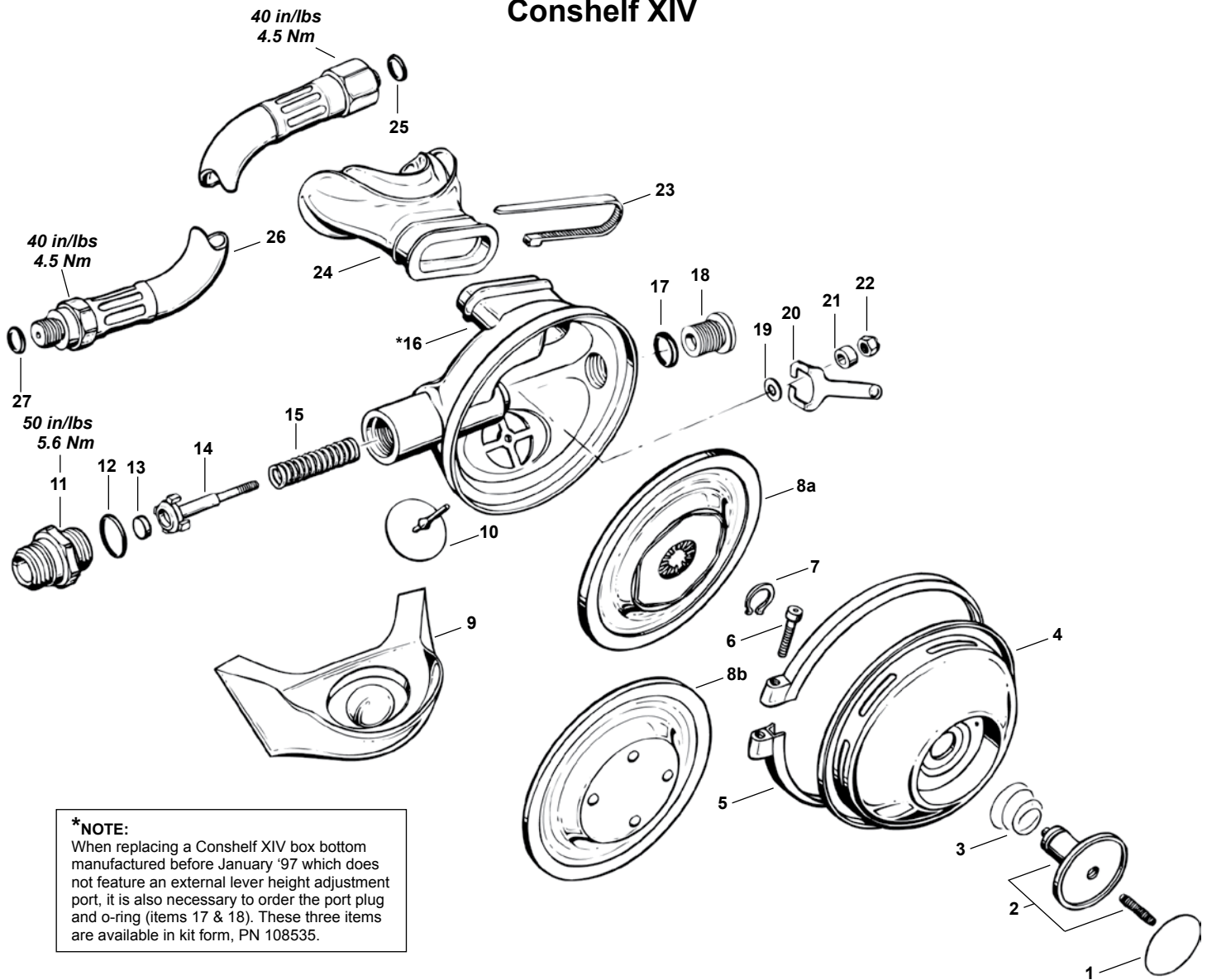


Key #	Part #	Description
----	125740	Calypso Second Stage only
----	125835	Titan Second Stage only
----	900010	Overhaul Parts Kit
1a ----	125732	Front Cover, Titan
1b ----	125719	Front Cover, Calypso
----	125734	Front Cover, Calypso, Green, O2
1c ----	125724	Front Cover, Octopus
2 ----	124509	Diaphragm Washer
3 ----	125705	Diaphragm
4 ----	125721	Box Bottom
5 ----	129154	Mouthpiece Clamp
6 ----	109438	Mouthpiece, Comfobite
----	104138	Mouthpiece, Octopus
7 ----	125707	Retaining Clip, Venturi Switch
8 ----	820015P	O-ring (10 pk)
9 ----	125706	Venturi Switch
10 ----	129174	Exhaust Valve

Key #	Part #	Description
11 ----	125702	Exhaust Valve Cover
12 ----	104106	Inlet Fitting
13 ----	100128	Crown Orifice
14 ----	820010P	O-ring (25 pk)
15 ----	102510	Locknut
16 ----	104129	Washer
17 ----	125708	Lever
18 ----	125709	Valve Insert
19 ----	104134	Poppet Bearing
20 ----	104127	Spring
21 ----	104122	Poppet
22 ----	106738	MP Seat
23 ----	APF124563	MP Hose, Black, 3/8" x 30", w/ Protector
----	APF124566	MP Hose, Octo, Yellow, 3/8" x 39", w/ Protector-
24 ----	102067	Hose Protector, Black
----	102068	Hose Protector, Yellow
25 ----	820011P	O-ring (25 pk)

Part numbers in **BOLD ITALICS** are included in service kit.

Conshelf XIV



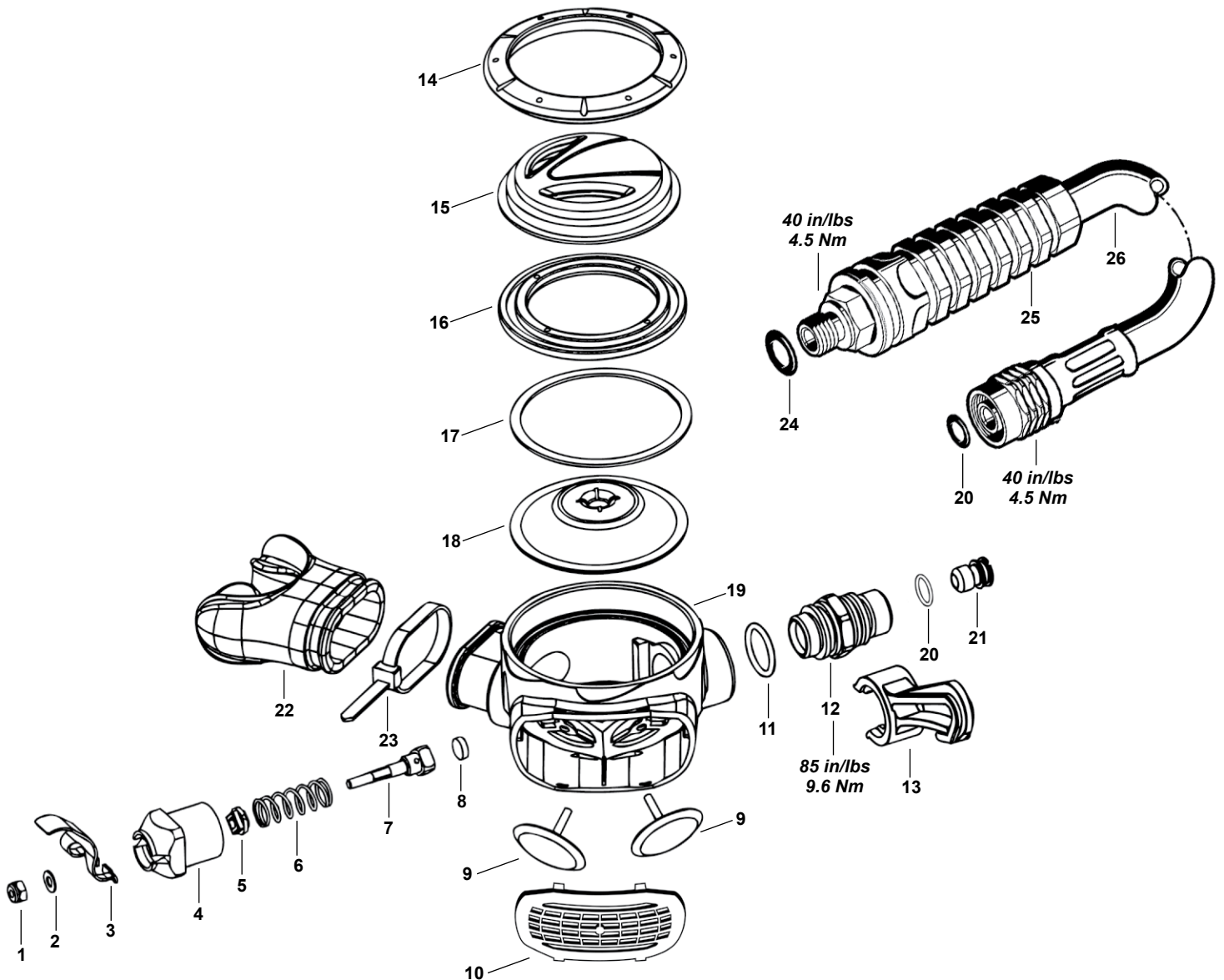
***NOTE:**

When replacing a Conshelf XIV box bottom manufactured before January '97 which does not feature an external lever height adjustment port, it is also necessary to order the port plug and o-ring (items 17 & 18). These three items are available in kit form, PN 108535.

Key #	Part #	Description	Key #	Part #	Description
-----	108530	Conshelf XIV Second Stage w/o hose	-----	108535	Box Bottom Kit (includes 16, 17 & 18)
-----	108538	Conshelf XIV Supreme Second Stage w/o hose	17 ----	957025	O-ring
-----	900013	Overhaul Parts Kit	18 ----	102004	Plug
1 ----	108185	Decal, Conshelf XIV	19 ----	845022	Washer
2 ----	103706	Purge Button w/ Adjustment Screw	-----	107607	Washer (Cold Water)
3 ----	102708	Purge Spring	20 ----	108513	Lever
4 ----	107001	Box Top	-----	107605	Lever (Cold Water)
5 ----	390147	Box Top Clamp	21 ----	102517	Spacer
6 ----	834023	Clamp Screw	-----	107606	Spacer (Cold Water)
7 ----	860037	Retaining Ring	22 ----	102510	Locknut
8a ----	100571	Demand Diaphragm, Liquid Injection Molded	23 ----	104940	Clamp, Clear
8b ----	103732	Demand Diaphragm (U.S. Military Only)	-----	104913	Clamp, Black
9 ----	101919	Exhaust Tee	24 ----	105884	Comfo Bite Mouthpiece, Clear
10 ----	105139	Exhaust Valve	-----	105885	Comfo Bite Mouthpiece, Black
11 ----	100444	Inlet Fitting	-----	105889	Standard Mouthpiece, Clear
12 ----	820014	O-ring	-----	105879	Standard Mouthpiece, Black
13 ----	108510	MP Seat	25 ----	820010P	O-ring (25 pk)
14 ----	104903	Poppet	26 ----	090015	MP Hose Assy, 3/8" x 30"
15 ----	108504	Spring (Standard)	27 ----	820011P	O-ring (25 pk)
-----	108514	Spring (Octopus)			
16 ----	108122	Box Bottom			

Part numbers in **BOLD ITALICS** indicate standard overhaul replacement part.

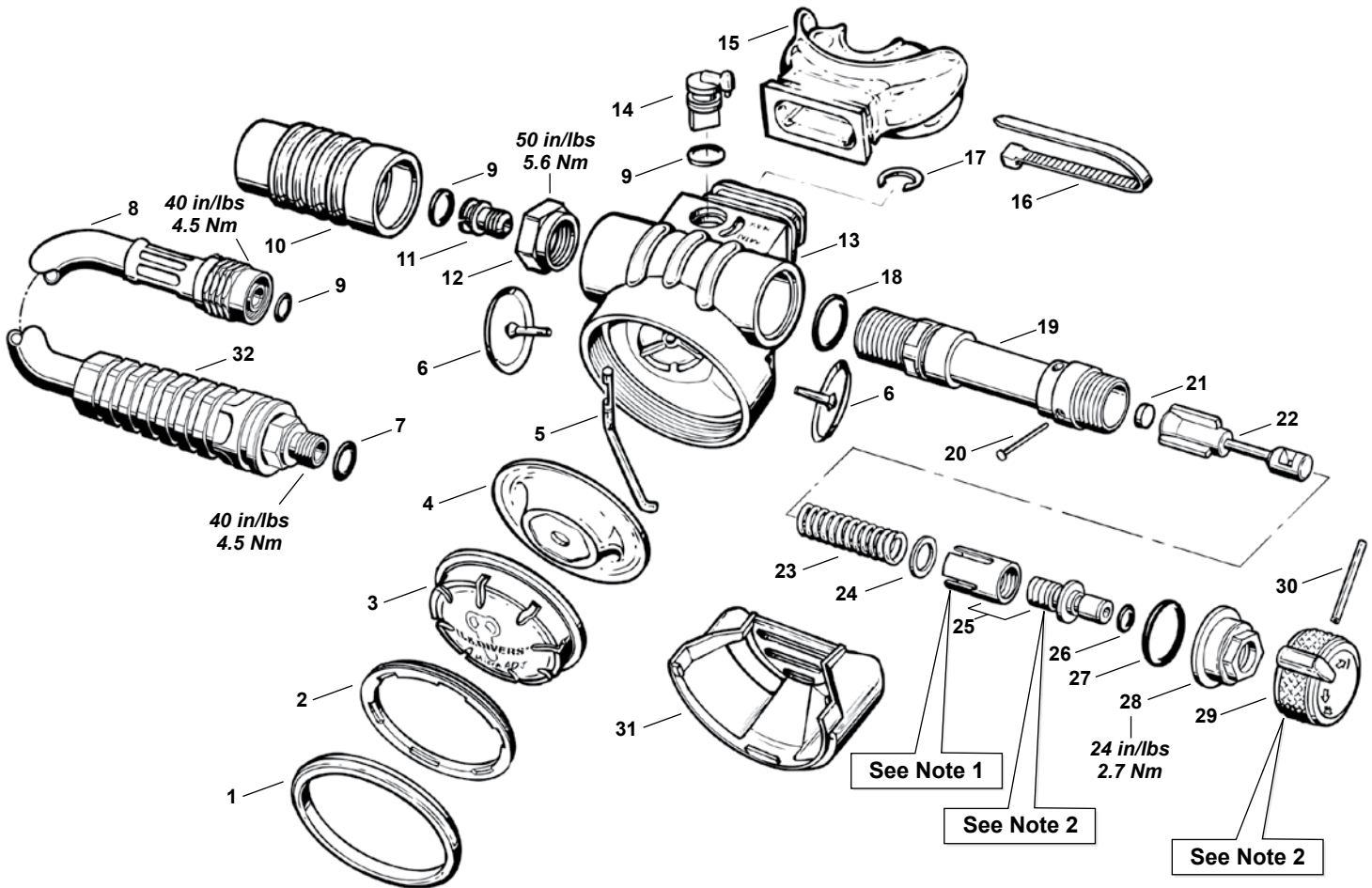
ABS Octopus



Key #	Part #	Description	Key #	Part #	Description
-----	900010	Overhaul Parts Kit	14 ----	116922	Cover Ring
1 ----	102510	Locknut	15 ----	116929	Purge Cover
2 ----	104129	Washer	16 ----	116923	Diaphragm Retainer
3 ----	116928	Lever	17 ----	107818	Diaphragm Washer
4 ----	116926	Valve Body	18 ----	116930	Diaphragm
5 ----	104134	Poppet Bearing	19 ----	116927	Box Bottom
6 ----	104127	Spring	20 ----	820010P	O-ring (25 pk)
7 ----	104122	Poppet	21 ----	100128	Crown Orifice
8 ----	106738	MP Seat	22 ----	104138	Mouthpiece, Octopus
9 ----	100122	Exhaust Valves	23 ----	104913	Clamp
10 ----	116925	Exhaust Grid	24 ----	820011P	O-ring (25 pk)
11 ----	820015P	O-ring (10 pk)	25 ----	102068	Hose Protector, Yellow
12 ----	104106	Inlet Fitting	26 ----	APF124566	MP Hose, Octopus, Yellow, 3/8" x39" w/Protector
13 ----	100924	Hose Retaining Clip			

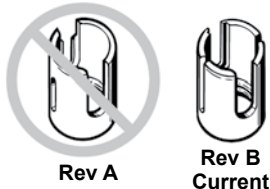
Part numbers in **BOLD ITALICS** indicate standard overhaul replacement part.

Micra ADJ (Adjustable)



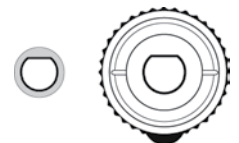
NOTE 1:

The Lever Retaining Sleeve (Key #25) was revised in 1997. Be sure to correctly identify the part before reinstalling, and replace with new if found to be a Revision A part. (Refer to Technical Bulletin No. 10, dated August 15, 1997.)



NOTE 2:

The Adjustment Screw (Key #25) and Knob (Key #29) have undergone a change revision, and are now keyed for easier alignment. It will be necessary to order both parts when replacing one which is not the current revision.



Key #	Part #	Description
-------	--------	-------------

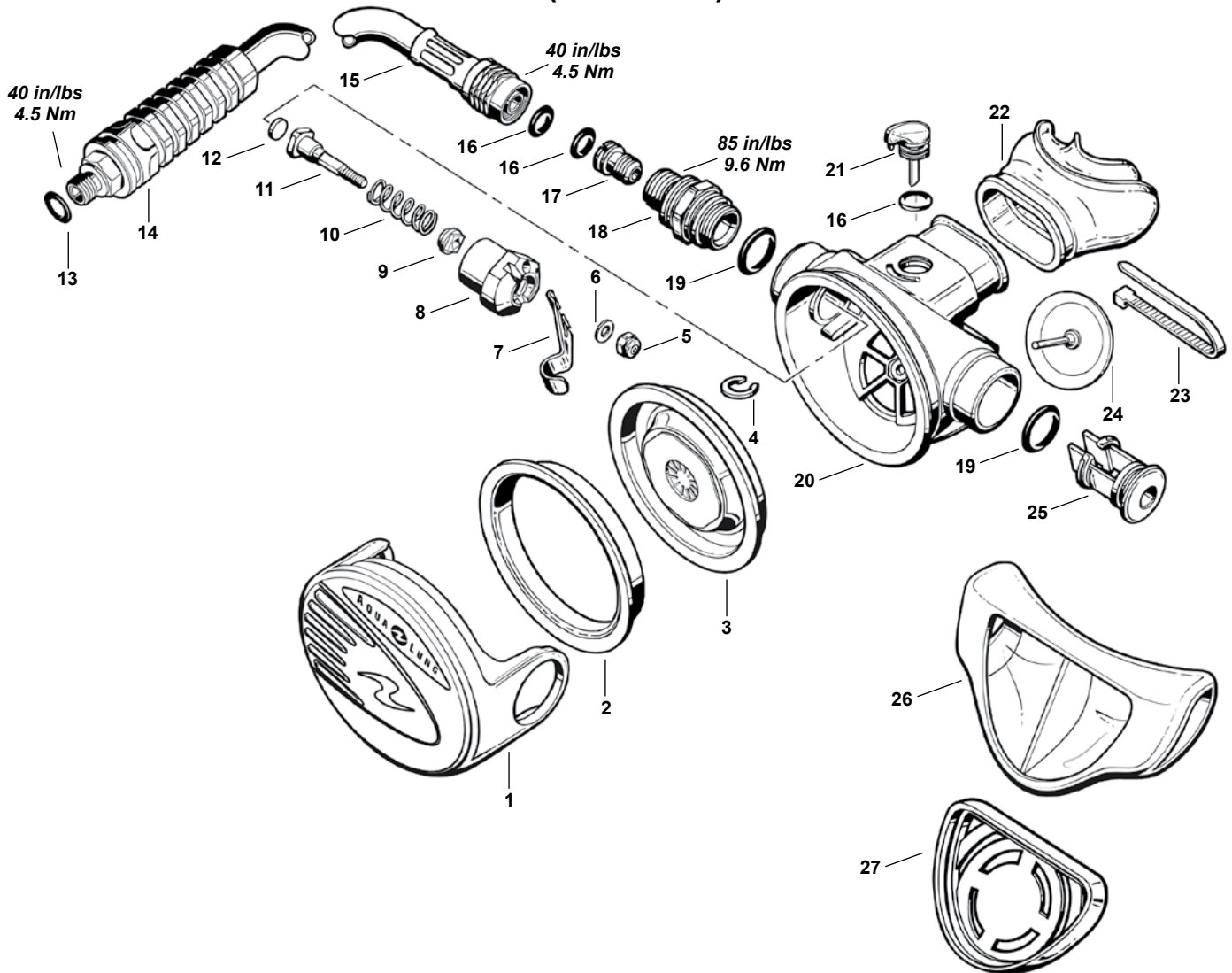
-----	100820	Micra ADJ Second Stage w/out hose
-----	900003	Overhaul Parts Kit
1----	100862	Color Ring - Silver
2----	100119	Retaining Ring
3----	100849	Purge Cover
4----	100181	Demand Diaphragm
5----	100856	Lever
6----	100122	Exhaust Valve Diaphragm
7----	957025	O-ring, 1/2" Hose
-----	820011P	O-ring, 3/8" Hose (25 pk)
8----	APF124565	MP Hose Assy, 1/2" x 30", w/Protector
-----	APF124563	MP Hose Assy, 3/8" x 30", w/Protector
-----	APF124566	MP Hose, Octo, Yellow, 3/8" x 39", w/Protector
9----	820010P	O-ring (25 pk)
10----	100103	Hose Protector, Black
11----	100128	Adjustable Crown
12----	100136	Hex Nut, 3/4"
13----	100143	Box Bottom
14----	100108	Vane Adjustment Switch

Key #	Part #	Description
-------	--------	-------------

15----	105838	Mouthpiece, Comfo Snap-on, Standard
-----	105848	Mouthpiece, Comfo Snap-on, Small
-----	105831	Mouthpiece, Snap-on, Octopus
16----	104913	Clamp, Black
17----	860137	C-Clip
18----	820314	O-ring
19----	100845	Valve Body
20----	100132	Pin
21----	108510	MP Seat
22----	100843	Poppet
23----	108515	Spring
24----	100853	Washer
25----	100888	Lever Retaining Sleeve & Adjustment Screw
26----	820008	O-ring
27----	820016	O-ring
28----	100841	Cap Nut
29----	100872	Adjustment Knob
30----	100854	Pin
31----	100109	Exhaust Cover, Original
-----	100110	Exhaust Cover, Swept Back
32----	102067	Hose Protector, Black
-----	102068	Hose Protector, Yellow

Part numbers in **BOLD ITALICS** indicate standard overhaul replacement part.

Titan • Cousteau • Calypso • Partner • Octopus (1998-2004)



Key #	Part #	Description
-------	--------	-------------

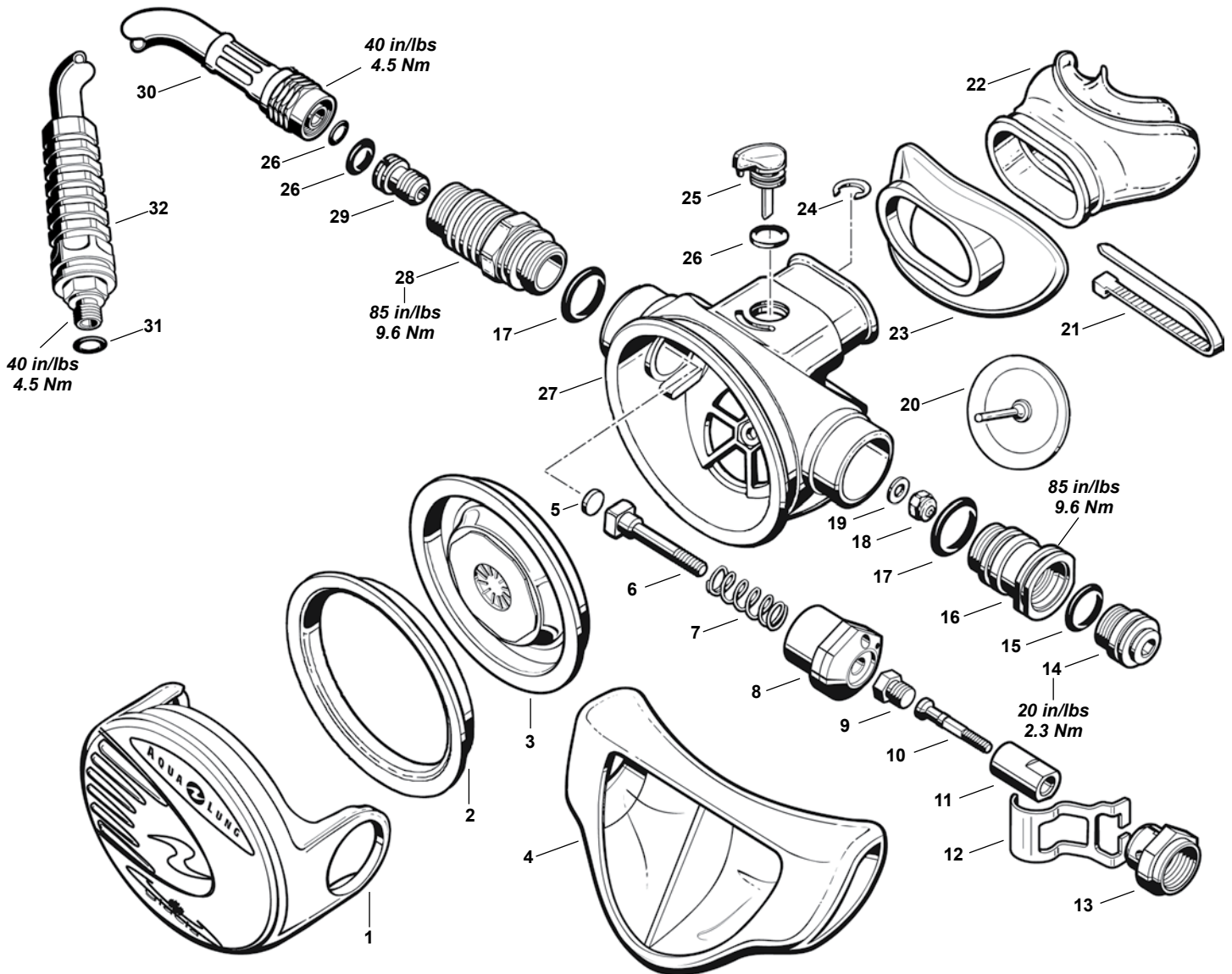
Key #	Part #	Description
-------	--------	-------------

- **900010** **Overhaul Parts Kit**
- 1 ---- 124576 Front Cover, Calypso
- 124578 Front Cover, Titan
- 124577 Front Cover, Octopus/Partner
- 2 ---- 124509 Sealing Ring
- 3 ---- 104123 Diaphragm
- 4 ---- 860137 Circlip
- 5 ---- 102510** **Locknut**
- 6 ---- 104129 Washer
- 7 ---- 104108 Lever
- 8 ---- 104132 Valve Insert (Right Hand)
- 104131 Valve Insert (Left Hand)
- 9 ---- 104134** **Poppet Bearing**
- 10 ---- 104127 Spring
- 11 ---- 104122 Poppet
- 12 ---- 106738** **MP Seat**
- 13 ---- 957025** **O-ring, Cousteau**
- **820011P** **O-ring, Titan/Calypso/Octopus (25 pk)**

- 14 ---- 102067 Hose Protector, Black
- 102068 Hose Protector, Yellow
- 15 ---- APF124565 MP Hose, Cousteau, 1/2" x 30", w/Protector
- APF124563 MP Hose, Titan/Calypso, 3/8" x 30", w/Protector
- APF124566 MP Hose, Octo, Yellow, 3/8" x 39", w/Protector
- 16 ---- 820010P** **O-ring (25 pk)**
- 17 ---- 100128 Crown
- 18 ---- 104106 Inlet Fitting
- 19 ---- 820015P** **O-ring (10 pk)**
- 20 ---- 104101 Box Bottom
- 21 ---- 104113 Vane Adjustment Switch
- 22 ---- 109438 Mouthpiece, Comfo Bite™
- 104138 Mouthpiece, Octopus
- 23 ---- 104913** **Clamp**
- 24 ---- 107822 Exhaust Diaphragm
- 25 ---- 104112 End Plug
- 26 ---- 104102 Exhaust Tee
- 27 ---- 104124 Exhaust Cover, Yellow, Octopus

Part numbers in **BOLD ITALICS** indicate standard overhaul replacement part.

Glacia • Glacia Octopus

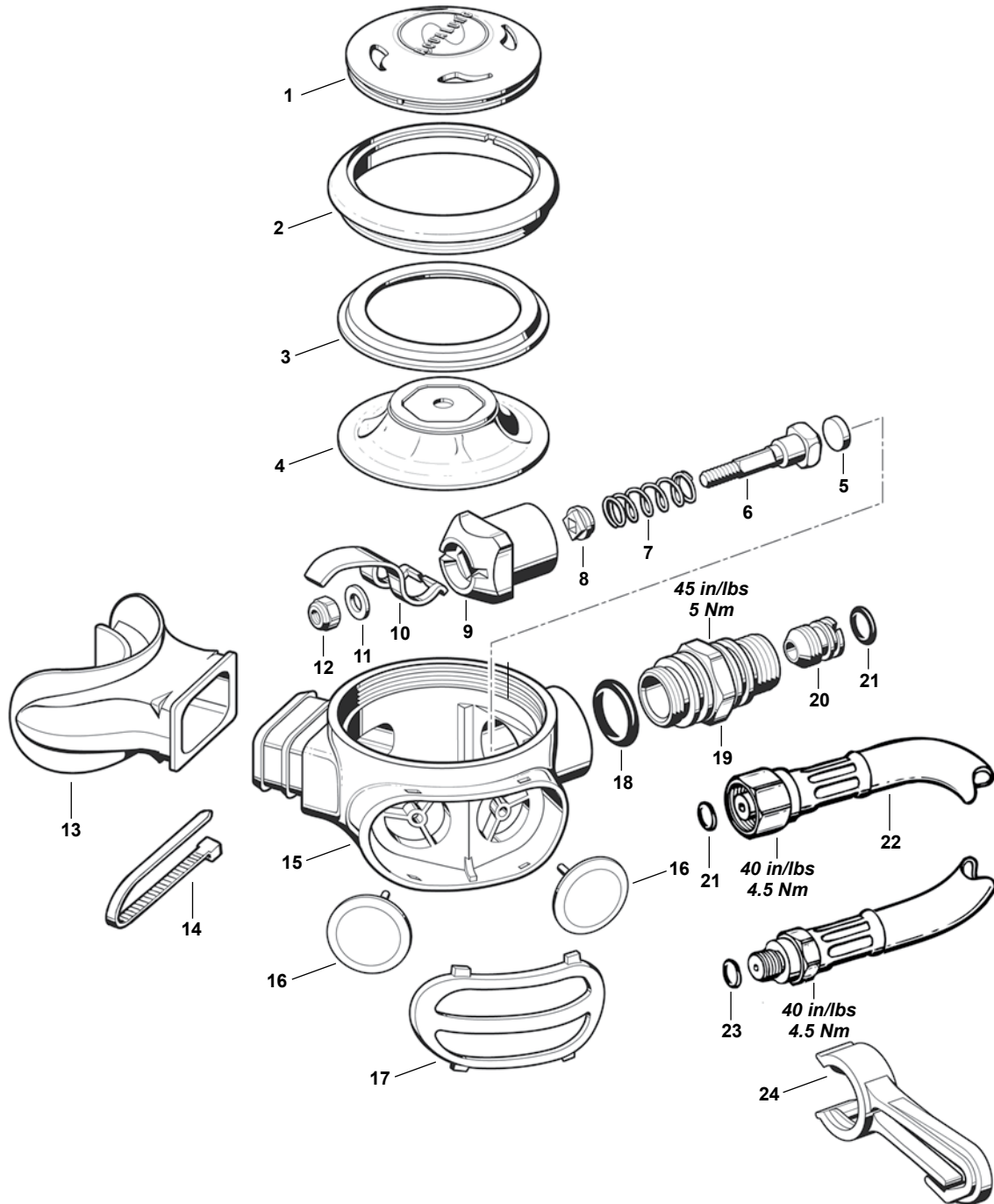


Key #	Part #	Description
-----	900010	Overhaul Parts Kit
1----	124579	Front Cover, 2002
2----	124509	Sealing Ring
3----	104123	Diaphragm
4----	104102	Exhaust Tee
5----	106738	MP Seat
6----	109501	Poppet
7----	104127	Spring
8----	109502	Valve Insert
9----	109503	Connecting Nut
10----	109504	Sheath
11----	109505	Lever
12----	109506	Lever Support
13----	109507	Ribbed Plug
14----	109509	O-ring
15----	957025	O-ring, Cousteau
16----	109508	Insert
17----	820015P	O-ring (10 pk)
18----	102510	Locknut
19----	104129	Washer

Key #	Part #	Description
20----	107822	Exhaust Diaphragm
21----	104913	Clamp
22----	109438	Mouthpiece, Comfo Bite™
----	104138	Mouthpiece, Octopus
23----	109512	Lip Shield
24----	860137	Circlip
25----	104113	Vane Adjustment Switch
26----	820010P	O-ring (25 pk)
27----	104101	Box Bottom
28----	109511	Inlet Fitting
29----	100128	Crown
30----	APF124565	MP Hose, Cousteau, 1/2" x 30", w/Protector
----	APF124563	MP Hose, Titan, 3/8" x 30", w/Protector
----	APF124566	MP Hose, Octo, Yellow, 3/8" x 39", w/Protector
31----	957025	O-ring, Cousteau
----	820011P	O-ring, Titan/Octopus (25 pk)
32----	102067	Hose Protector, Black
----	102068	Hose Protector, Yellow

Part numbers in **BOLD ITALICS** indicate standard overhaul replacement part.

LPO (Low Profile Octopus)



Key #	Part #	Description
-----	900010	Overhaul Parts Kit
1----	100904	Purge Cover
2----	100906	Color Ring
3----	100909	Retaining Ring
4----	100181	Diaphragm
5----	106738	MP Seat
6----	104122	Poppet
7----	104127	Spring
8----	104134	Poppet Bearing
9----	100945	Valve Body
10----	100923	Lever
11----	104129	Washer
12----	102510	Locknut

Key #	Part #	Description
13----	105831	Mouthpiece
14----	104913	Clamp
15----	100903	Box Bottom
16----	100922	Exhaust Valve Diaphragm
17----	100907	Exhaust Cover
18----	820015P	O-ring (10 pk)
19----	104106	Inlet Fitting
20----	100128	Adjustable Crown
21----	820010P	O-ring (25 pk)
22----	APF124566	MP Hose, Octo, Yellow 3/8" x 39" w/ Protector
23----	820011P	O-ring (25 pk)
24----	100924	Hose Retaining Clip

Part numbers in **BOLD ITALICS** indicate standard overhaul replacement part.

Common Spares

Regulator Accessories

Key #	Part #	Description
1----	102085	Adapter, HP, 3/8" Female to 7/16" Male
2----	101785	Adapter, HP, 7/16" Female to 3/8" Male
3----	102067	Hose Protector, Aqua Lung, Black
4----	102068	Hose Protector, Aqua Lung, Yellow
5----	AP0480K	Apeks Regulator Necklace
6----	124570	Hose Protector, Aqua Lung, Black (New)
7----	124573	Hose Protector, Aqua Lung, Yellow (New)

Replacement Silicone Mouthpieces

Key #	Part #	Description
1----	109438	Comfo-bite, Black, XLC/Glacia/Titan LX/Legend/Kronos
2----	AP5324K	Comfo-bite, Black, Apeks
3----	104138	Black w/Bite Tabs, XLC/Glacia/Octopus Series/Titan LX/Legend/Kronos
4----	105838	Comfo-bite, Clear, Micra Series
5----	105848	Comfo-bite, Clear, Size SM, Micra Series/Conshelf 22/ SEA4/SE3, snorkel
6----	105831	Black w/Bite Tabs, LPO/Micra Series
7----	105884	Comfo-bite, White, Conshelf XIV
8----	105885	Comfo-bite, Black, Conshelf XIV
9----	105889	White w/Bite Tabs, Conshelf XIV
10----	105879	Black w/Bite Tabs, Conshelf XIV
11----	109512	Lip Shield

Regulator MP Hoses Apeks

Key #	Part #	Description
1----	AP0203	Hose, MP, Primary, 1/2 x 30
2----	AP0203/S	Hose, MP, Primary, Satin, 1/2 x 30
3----	AP0203/1	Hose, MP, Primary, 3/8 x 30
4----	AP0206	Hose, MP, Octopus, Yellow, 3/8 x 36
5----	AP02031J	Hose, MP, w/Swivel, Primary, 3/8 x 29
6----	AP0203J	Hose, MP, w/Swivel, Primary, 1/2 x 29
7----	AP0249	Service Kit, Swivel Hose
8----	AP02031	Hose, MP, 3/8 x 2 Meter

Regulator MP Hoses Aqua Lung

Key #	Part #	Description
1----	090015	Hose, MP, Primary, 3/8 x 30
2----	090025	Hose, MP, Octopus, 3/8 x 39
3----	APF124563	Hose, MP, Primary, 3/8 x 30 w/Protector
4----	APF124565	Hose, MP, Primary, 1/2 x 30 w/Protector
5----	APF124566	Hose, MP, Octopus, 3/8 x 39 w/Protector, Yellow
6----	129343	Hose, MP, w/Heat x, Primary, 3/8 x 30
7----	129352	Hose, MP, w/Heat x, Primary Octo, 3/8 x 36, Yellow
8----	125932	Hose, MP, Mistral 630mm
9----	125934	Hose, MP, Mistral 245mm
10----	129861	Hose, MP, Aquaflex, 3/8" x 30"

BC MP Inflator Hoses

Key #	Part #	Description
1----	44822	3/8 x 22
2----	44825	3/8 x 25
3----	44827	3/8 x 27
4----	44833	3/8 x 33
5----	24827	3/8 x 27, i3
6----	24833	3/8 x 33, i3
7----	24836	3/8 x 36, i3
8----	24840	3/8 x 40, i3

Air Source Hi-Flow MP Inflator Hoses

Key #	Part #	Description
1----	41522	3/8 x 25
2----	25455	3/8 x 27
3----	41523	3/8 x 29.5
4----	42308	Air Source, MP, Hose Adapter
5----	42639	O-ring kit, Air Source Quick Disconnect

HP Hose

Key #	Part #	Description
1----	102023	Hose, HP, w/HP Spool, 7/16 x 38

DIN Adapters Aqua Lung

Key #	Part #	Description
1----	129015	DIN Adapter, Legend, First Stage
2----	129227	DIN Conversion Kit, Legend ACD
3----	127685	DIN Adapter, Kronos ACD
4----	103172	DIN Adapter, Titan/Mistral, First Stage
5----	106345	DIN Adapter, Cousteau/SEA, First Stage
6----	107455	DIN Adapter, SE3/SE2/Conshelf14, First Stage
7----	125237	DIN to Yoke Converter

DIN Adapters Apeks

Key #	Part #	Description
1----	AP0620	DIN Adapter, Comolded Handwheel
2----	AP0620PVDS	DIN Adapter, Tungsten
3----	AP0211	DIN Adapter, Chrome
4----	AP0211/S	DIN Adapter, Satin
5----	AP0195	DIN to Yoke Converter

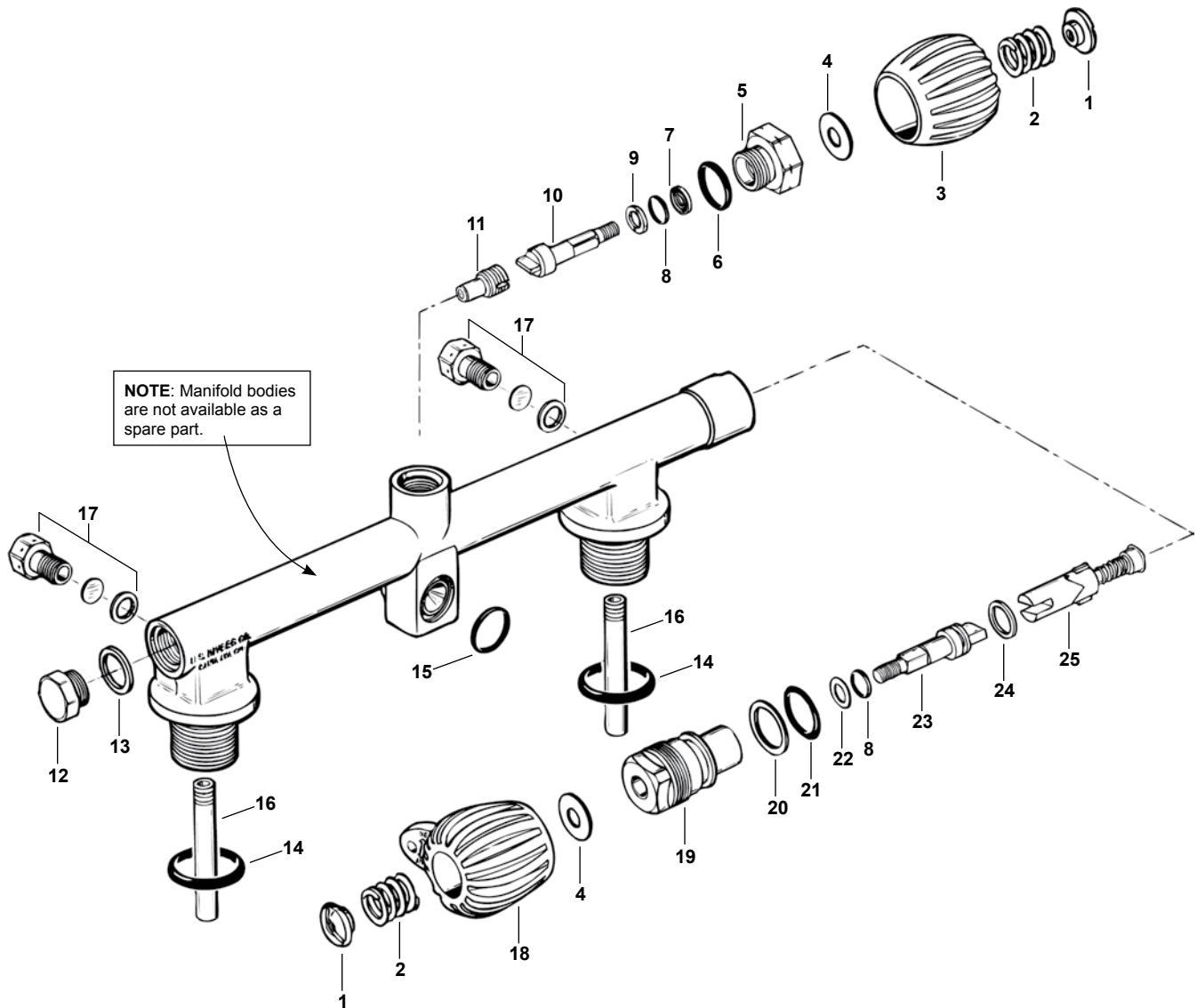
Regulator Service Kits

Key #	Part #	Description
1----	900000	Cousteau/SEA/Spectrum, First Stage
2----	900001	Titan/Conshelf, First Stage
3----	900002	Calypso/Aquarius/Mirage, First Stage
4----	900014	Mikron/Legend Series, First Stage
5----	900017	Legend ACD Series, First Stage
6----	900018	Kronos, First Stage
7----	900015	Calypso '04, First Stage
8----	900009	Impulse, Impulse Cryo/XR2, Second Stage
9----	900003	Micra ADJ/Micra RH, Second Stage
10----	900004	Micra LH/AirMic, Second Stage
11----	900010	XLC/ABS/LPO/Glacia, Second Stage
12----	900012	Legend Series/Titan LX Series, Second Stage
13----	900013	Conshelf, Second Stage
14----	900016	Mistral (complete)
15----	900021	Airsource III
16----	42608	Air Source II
17----	42628	Sea Quest XL, Second Stage
18----	42631	Pioneer & SQ Century, Yoke and DIN (oil not incl.)
19----	42626	SQ Infinity
20----	AP0241/AA	Apeks Diaphragm First Stages
21----	AP0219/AA	Apeks Second Stages
21----	AP0227/AA	Apeks Status First Stages

Inflator and Cylinder Valve Service Kits

Key #	Part #	Description
1----	900020	i3 Inflator
2----	42747	Powerline with Dual Valve
3----	42613	Trimline Inflator
4----	5240-KIT	K or Z Valve, Thermo, 3000 psi

Twin Tank Manifold w/Reserve

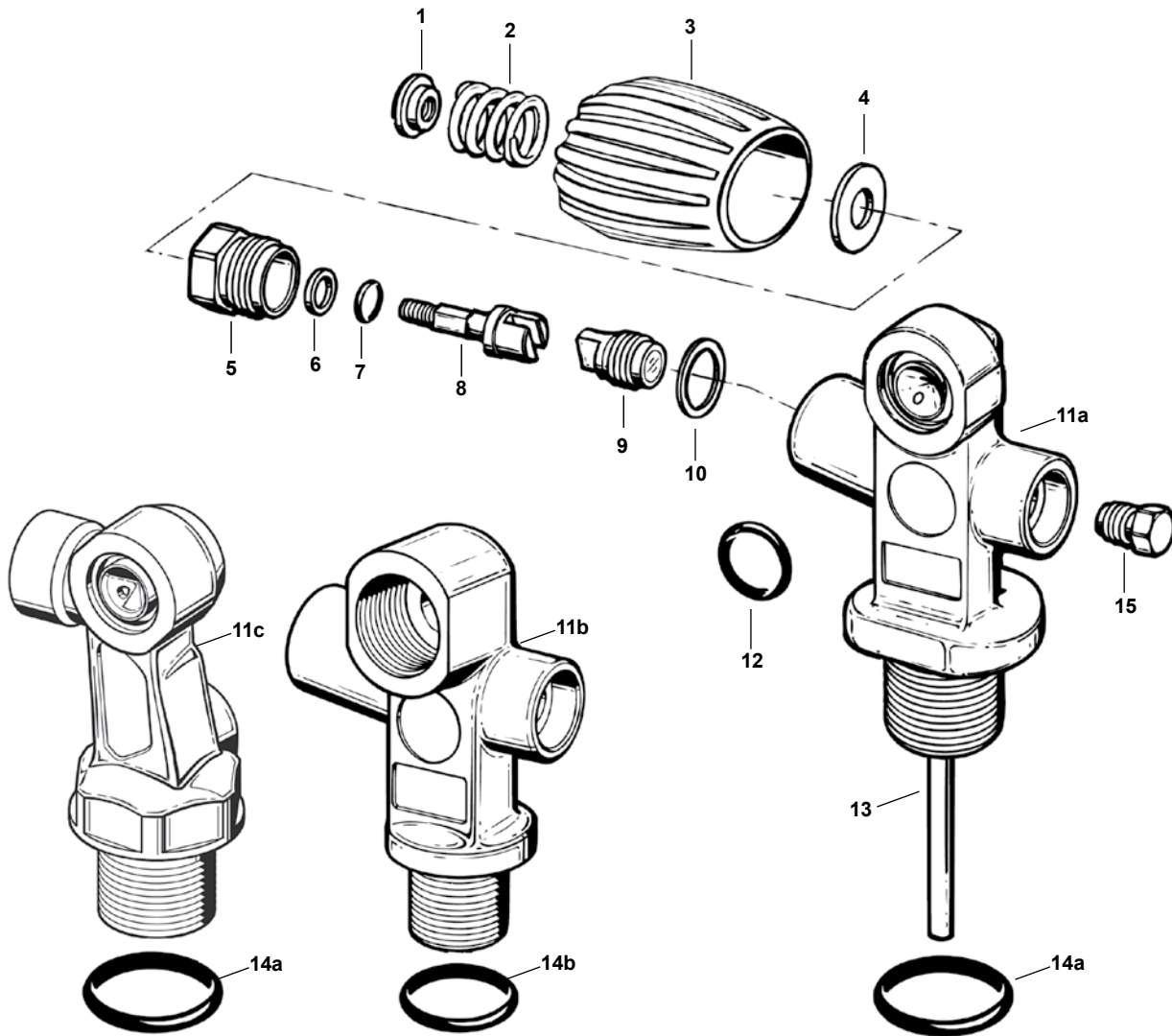


Key #	Part #	Description
----	280000	Twin Manifold, 3000 psi
1----	052518	Nut, Handle Retaining
2----	050107	Spring
3----	052541	Handwheel
4----	845058	Washer
5----	050233	Bonnet
6----	957007	O-ring
7----	828510	Back-up Ring
8----	820010P	O-ring (25 pk)
9----	921019	Gasket
10----	052521	Stem, K-Valve
11----	280013	Seat, Std. Twin
12----	050221	Plug

Key #	Part #	Description
13----	821011	Gasket
14----	820214	O-ring
15----	820120	O-ring
16----	051821	Dip Tube
17----	050241	Safety Disc Assembly, 3000 psi
----	050242	Safety Disc Assembly, 2250 psi
18----	280040	Handwheel, Reserve
19----	052515	Bonnet
20----	828515	Back-up Ring
21----	820015P	O-ring (10 pk)
22----	821014	Gasket
23----	052514	Stem, J-Valve
24----	845021	Washer
25----	052508	Reserve Assembly
N/S----	074305	Reserve Pull Rod

Part numbers in **BOLD ITALICS** indicate standard overhaul replacement part.

K-Valve • DIN Valve • Z-Valve Air • (by Thermo)

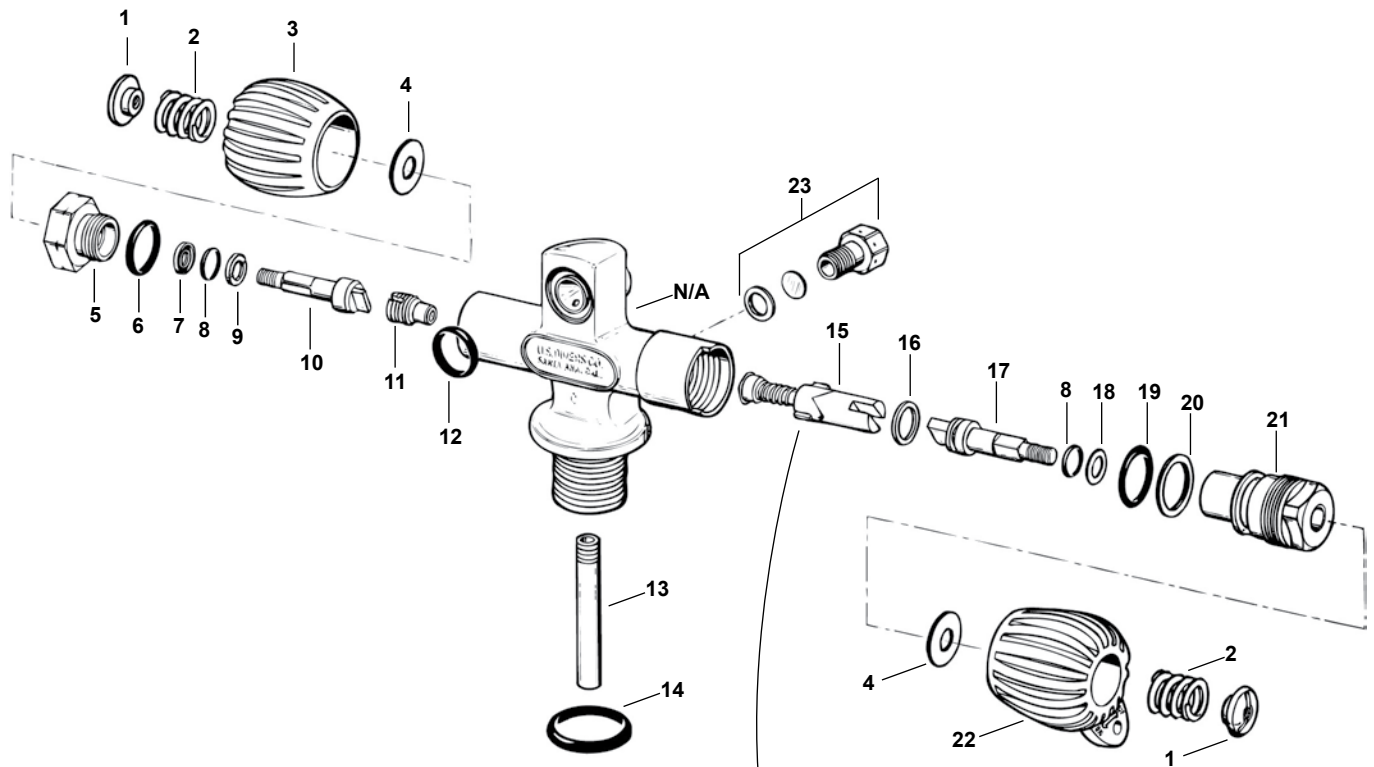


Key #	Part #	Description
-----	5240-KIT	Service Kit, K- or Z-Valve, 3000 psi Only
1----	054207	Nut, Handwheel Retaining
2----	054209	Spring, Handwheel
3----	52406A	Handwheel
4----	054212	Washer
5----	054204	Bonnet
6----	054205	Washer, Packing
7----	820010P	O-ring, Stem (25 pk)
8----	054208	Stem
9----	054203	Seat Assembly
10----	054216	Gasket, Bonnet
11a---	N/A	Body, K-Valve

Key #	Part #	Description
11b---	N/A	Body, DIN Valve
11c---	N/A	Body, Z-Valve
12----	820014	O-ring, Outlet
13----	054215	Dip Tube
14a---	820214	O-ring, K-Valve
14b---	054114	O-ring, DIN Valve
15----	054201	Safety Plug Kit, 3,000 psi (Aluminum)
	054261	Safety Plug Kit, 3,500 psi (HP Steel)
	054221	Safety Plug Kit, 2,400 psi (LP Steel)
	054211	Safety Plug Kit, 2,250 psi (LP Steel)
N/S---	42485	Dust Cap, K-Valve
N/S---	054228	Dust Cap, Z-Valve

Part numbers in **BOLD ITALICS** indicate standard overhaul replacement part.

J-Valve



NOTE: Reserve Assembly (PN 052548) is to be used on valves which have "Japan" stamped on the base of the valve body. If replacement of the reserve assembly is required, do not use the 052508 reserve assembly in valves stamped with "Japan". The 052548 reserve assembly is dyed red to differentiate between the reserve assemblies.

Key #	Part #	Description
-----	054500	J-Valve (3000 psi)
1----	052518	Nut, Handle Retaining
2----	050107	Spring
3----	052541	Handwheel
4----	845058	Washer
5----	050233	Bonnet, Left Handed Thread
-----	050216	Bonnet, Right Handed Thread
6----	957007	O-ring
7----	828510	Back-up ring
8----	820010P	O-ring (25 pk)
9----	921019	Thrust Washer
10----	052521	Stem
11----	052519	Seat
12----	820120	O-ring
13----	051821	Dip Tube

Key #	Part #	Description
14----	820214	O-ring
15----	052508	Reserve Assembly
-----	052548	Reserve Assembly, Red (SEE NOTE)
16----	845021	Washer
17----	052514	Stem, Reserve
18----	821014	Gasket
19----	820015P	O-ring (10 pk)
20----	828515	Back-up Ring
21----	214204	Bonnet
22----	052540	Handwheel, Reserve
23----	050241	Safety Disc Assembly, 3000 psi
-----	050242	Safety Disc Assembly, 2250 psi
N/S---	074305	Reserve Pull Rod

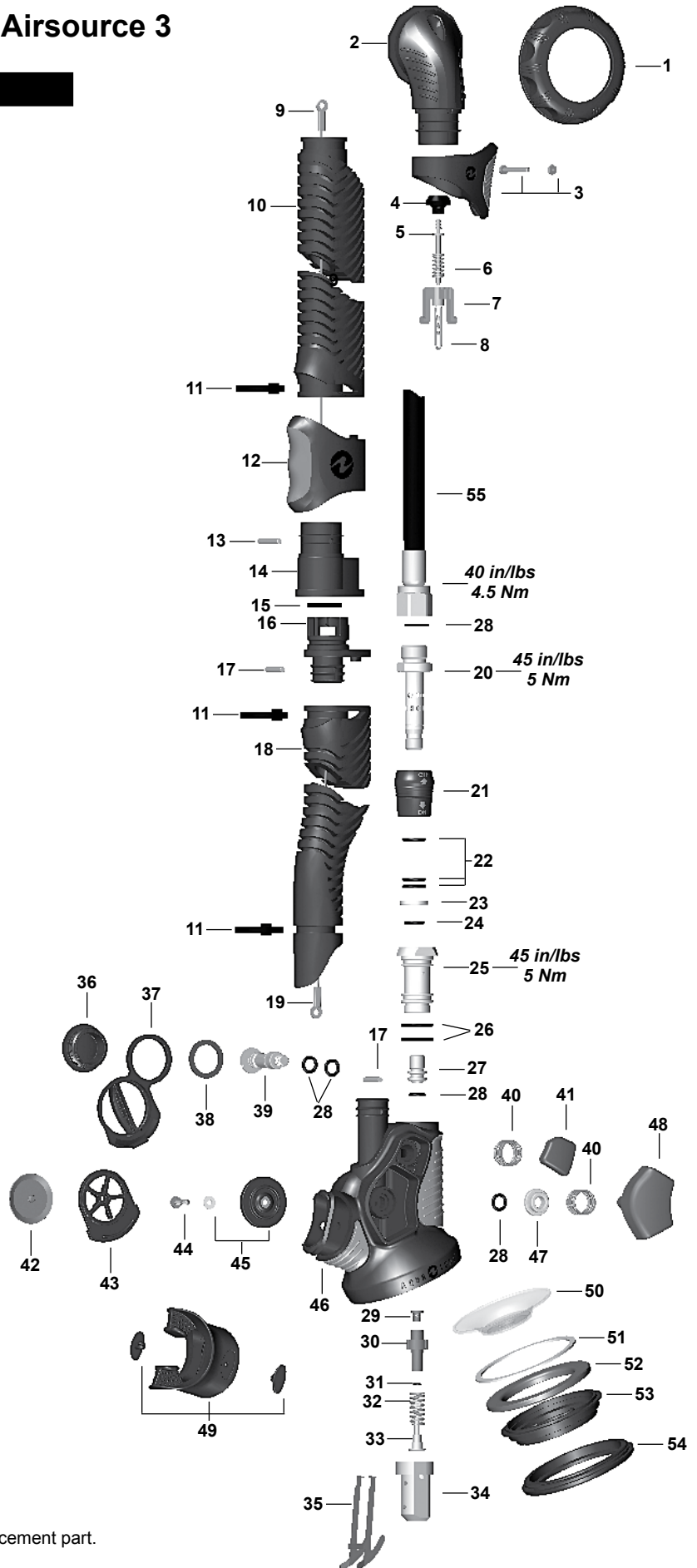
Part numbers in **BOLD ITALICS** indicate standard overhaul replacement part.

Airsource 3

Key # Part # Description

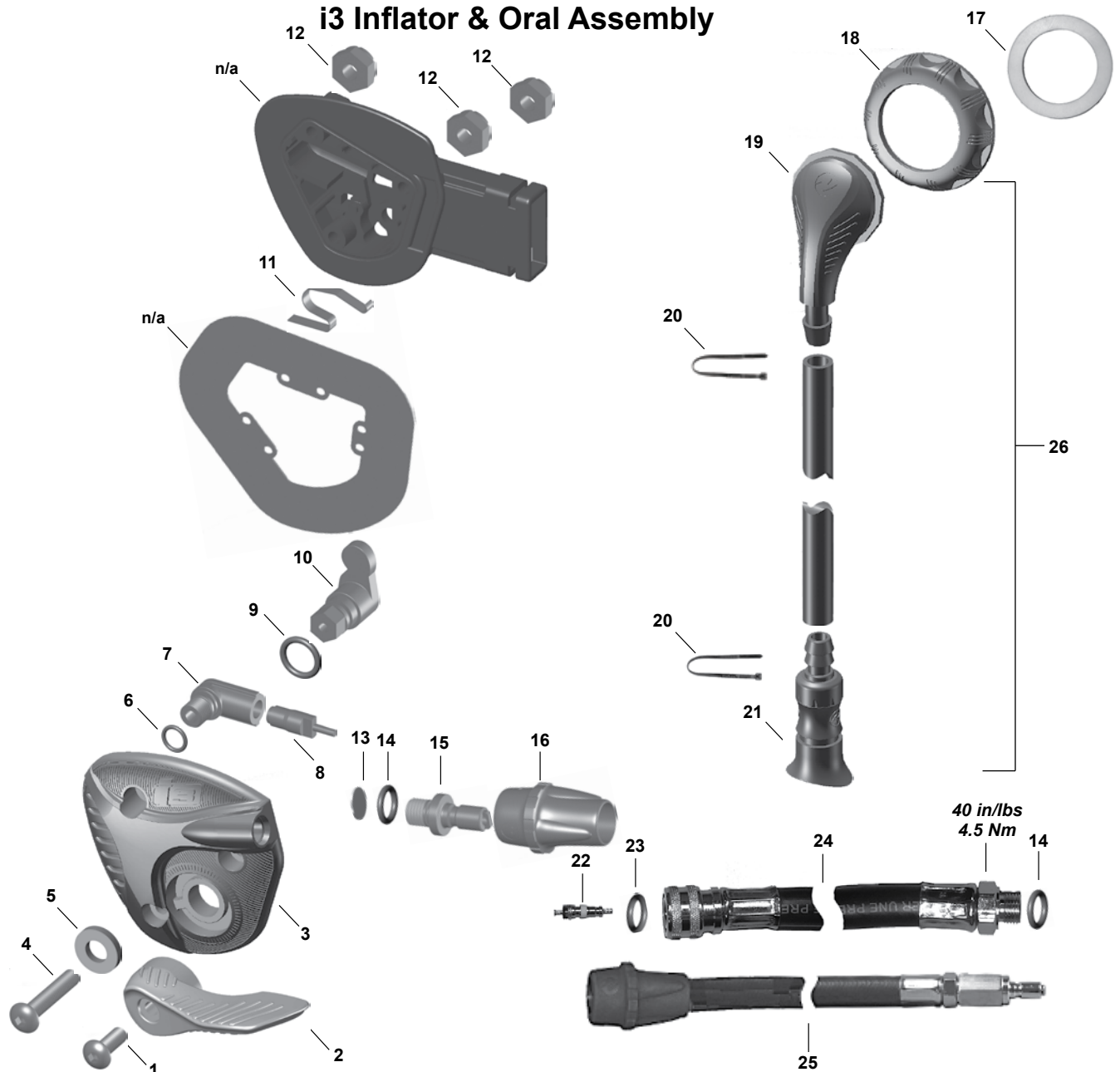
----- 900021 Overhaul Parts Kit, Airsource 3

1----	15763	Collar
2----	15161	Elbow
3----	15179	Clip, Nut & Screw
4----	778559	Poppet, Dump Valve
5----	15164	Stem, Poppet
6----	15215	Spring, Pull Dump, S/S
7----	15162	Guide, Poppet
8----	15178	Hook, Inflator Cable
9----	15163	Cable, Upper 7.6"
10----	15170	Hose, Upper
11----	15719	Clamp
12----	15174	Trim-Grip, Ring
13----	15172	Pin
14----	15173	Trim-Grip, Top
15----	AP1438	O-ring
16----	15175	Trim-Grip, Bottom
17----	15177	Pin
18----	15171	Hose, Lower
19----	15176	Cable, Lower, 6.4"
20----	15193	Fitting, Cut-Off Valve
21----	15194	Barrel, Cut-Off Valve
22----	820312P	O-ring (10 pk)
23----	15195	Washer
24----	820011P	O-ring (25 pk)
25----	15196	Inlet Fitting
26----	820015P	O-ring (10 pk)
27----	15220	Crown
28----	820010P	O-ring (25 pk)
29----	15221	MP Seat
30----	15222	Shuttle Valve
31----	15234	O-ring
32----	15223	Spring
33----	15224	Spring Carrier
34----	15201	Valve Spindle
35----	15202	Lever
36----	15190	Cap
37----	15211	Cover, Exhaust Valve
38----	15189	Gasket
39----	15188	Push rod
40----	15187	Spring
41----	15186	Button, PI
42----	15115	Valve, Exhaust
43----	15210	Support, Exhaust Valve
44----	15107	Screw
45----	15197	Oral Seal Kit
46----	15181	Body
47----	15185	Plate
48----	15183	Button, OI
49----	15214	Mouthpiece w/ Pins
50----	15225	Diaphragm
51----	15227	Washer
52----	15228	Retainer, Diaphragm
53----	15205	Cover, Purge
54----	15207	Retainer, Purge
55----	15191	Hose, MP 3/8" x 25"



Part numbers in **BOLD ITALICS** indicate standard overhaul replacement part.

i3 Inflator & Oral Assembly

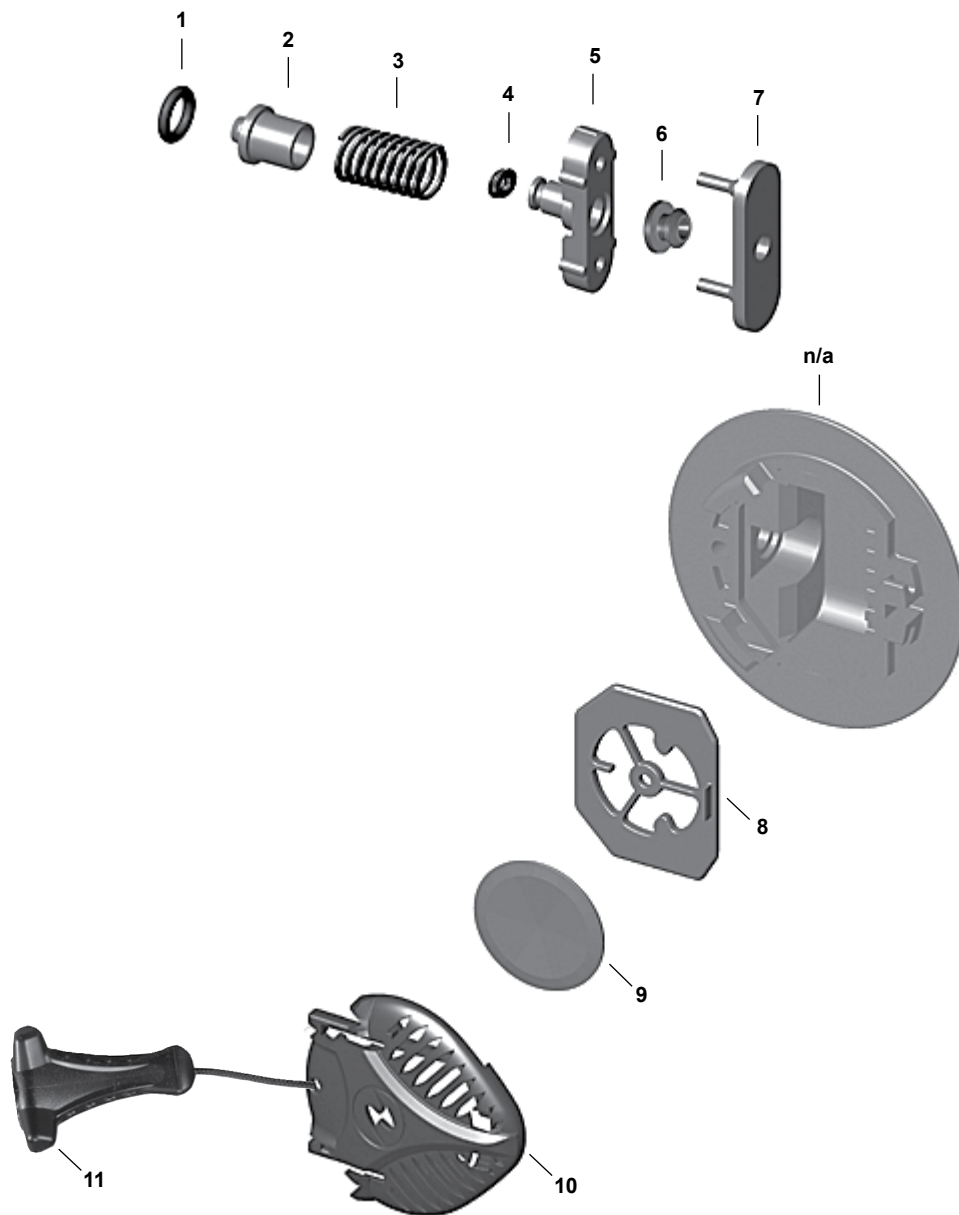


Key #	Part #	Description
-----	900020	Service Kit, i3 Inflator
1----	15424	Screw, 10-32X.5
2----	15414	Handle, i3 Inflator, Red
-----	15433	Handle, i3 Inflator, Pink
-----	15434	Handle, i3 Inflator, Grey
-----	15435	Handle, i3 Inflator, Aqua
3----	15412	Body Out with Labels, i3 Inflator
-----	15436	Body Out with Grey Labels, i3 Inflator
4----	15423	Screw, 10-32X1
5----	15426	Washer, Screw Seal
6----	820010P	O-ring (25 pk)
7----	15417	Valve Retainer, Elbow
8----	15504	Valve Core
9----	820073P	O-ring (10 pk)
10----	15415	Lever, i3 Inflator
11----	15421	Spring, Leaf
12----	15425	Nut, Nylock, 10-32
13----	15628	Powerline Filter

Key #	Part #	Description
14----	820011P	O-ring (25 pk)
15----	090018	Quick Disconnect Plug with O-ring
16----	15428	Hose Hat
17----	15309	Gasket
18----	15763	Collar
19----	15427	Elbow
20----	15719	Clamp
21----	15429	Mouthpiece/Valve, Oral Inflator Assy
22----	778564	Valve Core
23----	820043	O-ring
24----	24827	MP Inflator Hose, 27" (SM)
-----	24833	MP Inflator Hose, 33" (M, ML, L)
-----	24836	MP Inflator Hose, 36" (XL)
-----	24840	MP Inflator Hose, 40" (XXL)
25----	42762	Hose Extender, i3
26----	42773	i3 Oral Inflator, Complete (items 18-21)

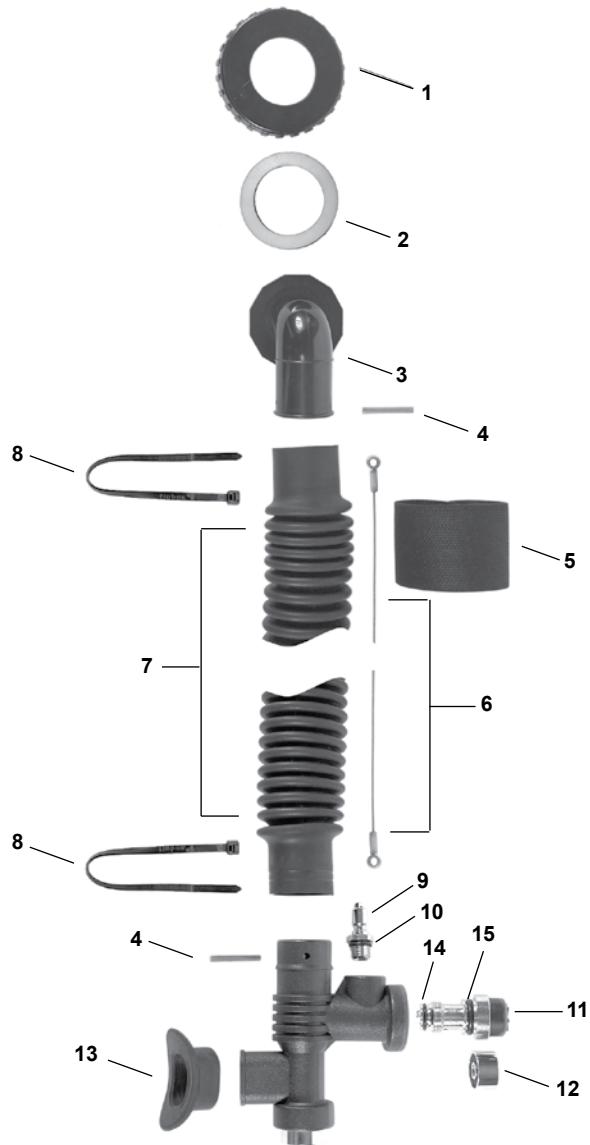
Part numbers in **BOLD ITALICS** indicate standard overhaul replacement part.

Flat E-Valve



Key #	Part #	Description
1	820010P	O-ring (25 pk)
2	15404	Seal, Cylinder, Black
3	15407	Spring, S/S
4	15408P	Quad Ring (10 pk)
5	15401	Plate, Seal, Black
6	15402	Plug, Cord Hole
7	15406	Seal, Blk
8	15403	Plate, Valve, Blk
9	15115	Valve, Exhaust, Red
10	15405	Cap, Blk
11	12277	Pull Knob

Apeks Inflator Assembly

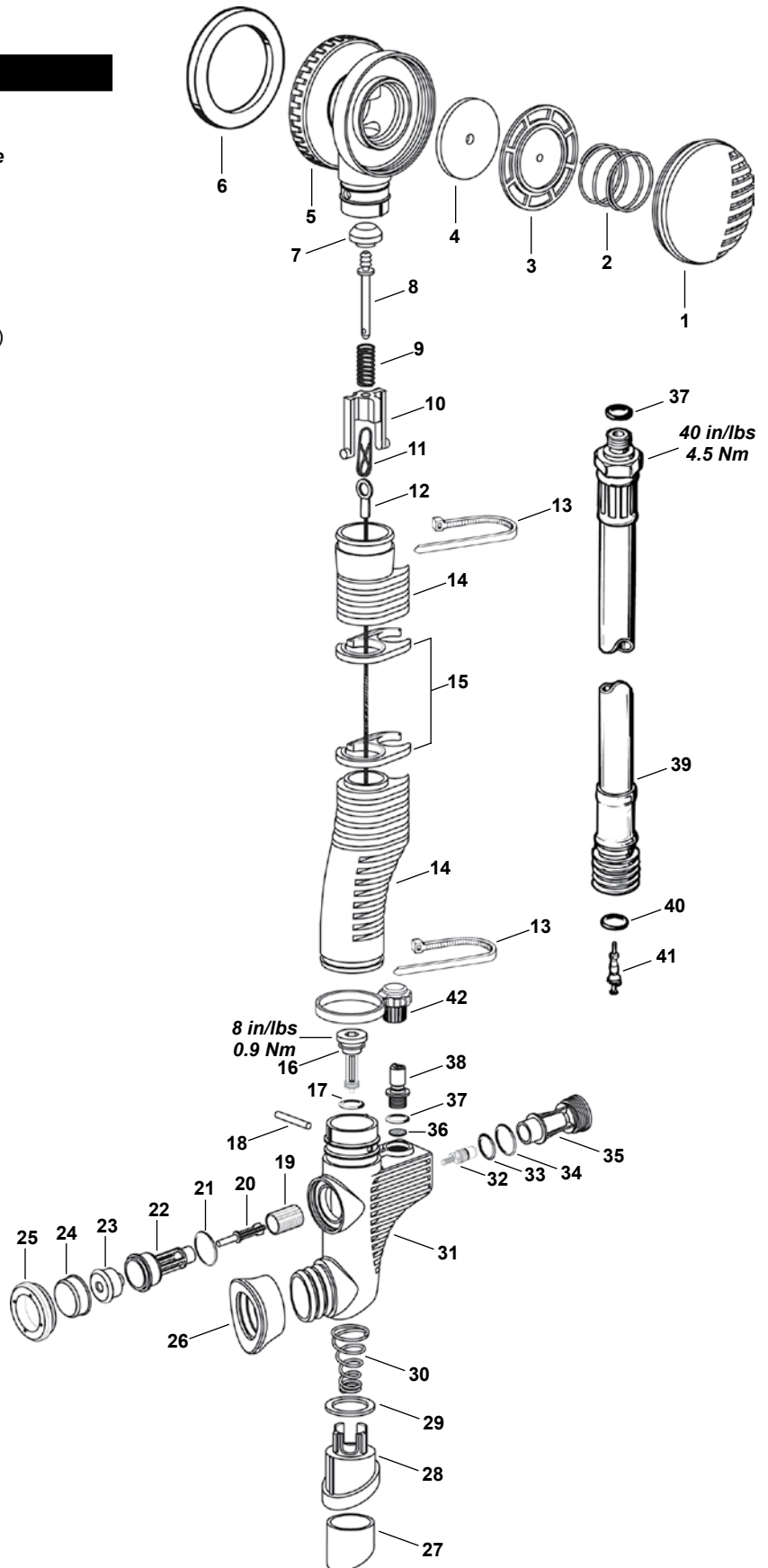


Key #	Part #	Description
----	42772	Airway, Complete
----	15755	Lower Inflator Assembly, Apeks
1 ----	15706	Collar
2 ----	15309	Gasket
3 ----	15304	Elbow
4 ----	15610	Retaining Pin
5 ----	42783	Retainer Loop
6 ----	15757	Cable Assembly
7 ----	15756	Corrugated Hose
8 ----	15719	Clamp
9 ----	15758	Quick Disconnect Fitting w/O-ring
10 ----	820311	O-ring
11 ----	15761	Valve Module w/Plastic Button
12 ----	15760	Button, Brass
13 ----	15759	Mouthpiece
14 ----	820312P	O-ring (10pk)
15 ----	820120	O-ring

Part numbers in **BOLD ITALICS** indicate standard overhaul replacement part.

Powerline Inflator w/ Dual Valve

Key #	Part #	Description
----	42747	Powerline Inflator, Lower Unit
----	42746	Powerline Airway, Complete
----	42609	Service Kit, Pwr Inf. w/ Dual Valve
----	42743	Dual Valve Assy (Acme Thread) (Includes items 1-12, less 6)
1----	15707	Cap
2----	15613	Overpressure Spring
3----	15698	Valve Plate
4----	15714	Seal
5----	42742	Body, Dual Valve (Acme Thread)
----	42744	Body, Dual Valve (Standard Thread)
6----	15309	Gasket
7----	778559	Dump Plug
8----	778558	Poppet Stem
9----	15901	Dump Spring
10----	15649	Poppet Guide
11----	15652	Cable Hook
12----	15724	Cable Assembly
13----	15719	Clamp
14----	15740	Ribbed Hose
15----	15735	Hose Clip
16----	15736	Poppet, Oral Valve
17----	820092	O-ring
18----	15610	Cable Pin
19----	15720	Filter Screen
20----	15743	Push Rod
21----	820016	O-ring
22----	15749	Push Rod Housing
23----	15747	Button
24----	15100	Button Cover, Gray
25----	15746	Bezel
26----	15741	Mouthpiece
27----	15745	Molded Insert
28----	15742	Oral Button
29----	15718	Gasket
30----	15709	Oral Valve Spring
31----	15750	Body
32----	15504	Valve Core
33----	957025	O-ring
34----	820014	O-ring
35----	15744	Valve Retainer
36----	15628	Filter
37----	820011P	O-ring (25 pk)
38----	090018	Quick Disconnect Plug w/ O-ring
39----	44822	LP Inflator Hose, 22"
----	44825	LP Inflator Hose, 25"
----	44827	LP Inflator Hose, 27"
----	44833	LP Inflator Hose, 33"
40----	820043	O-ring
41----	778564	Valve Core
42----	15029	QD Fitting Cover

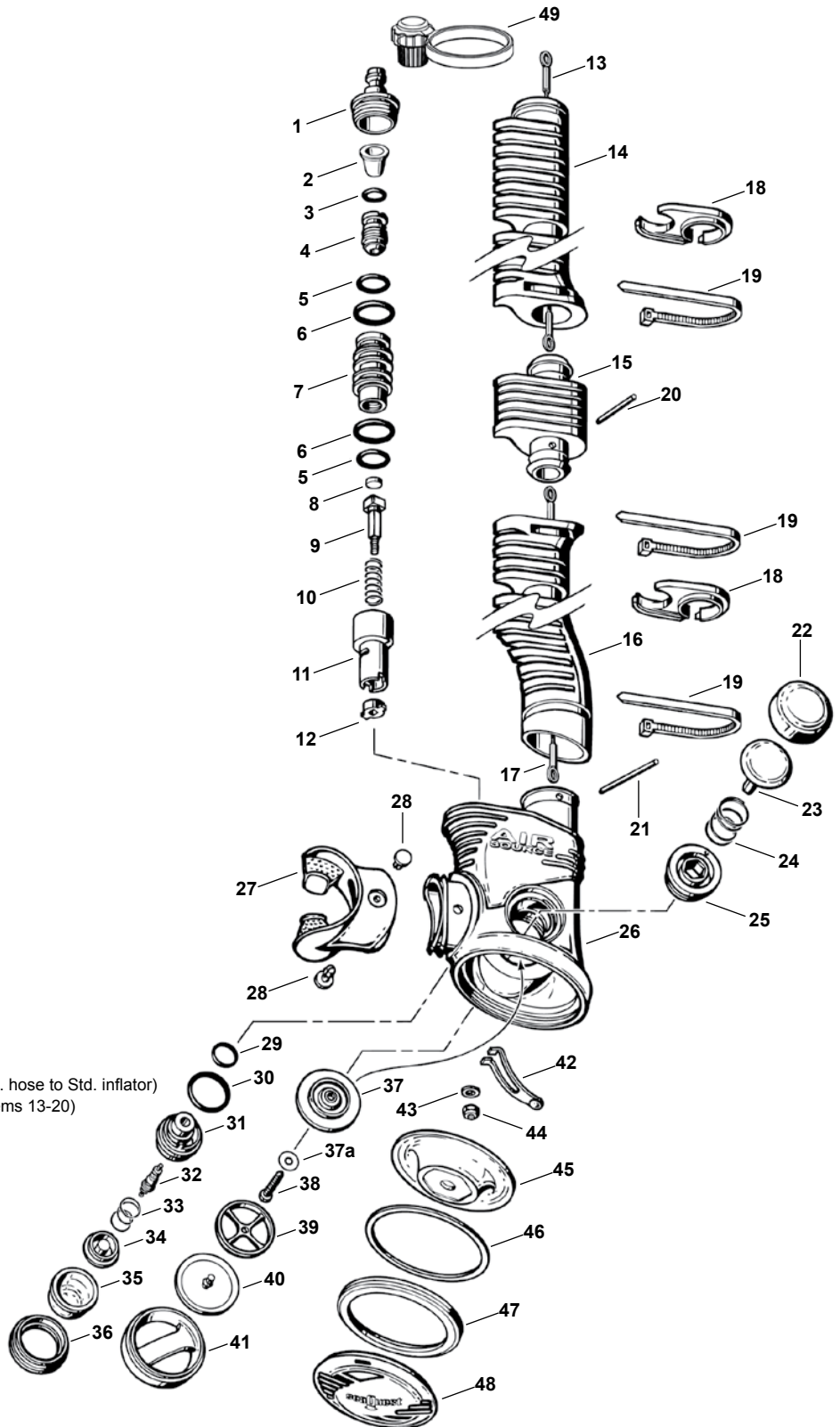


Part numbers in **BOLD ITALICS** indicate standard overhaul replacement part.

Air Source 2

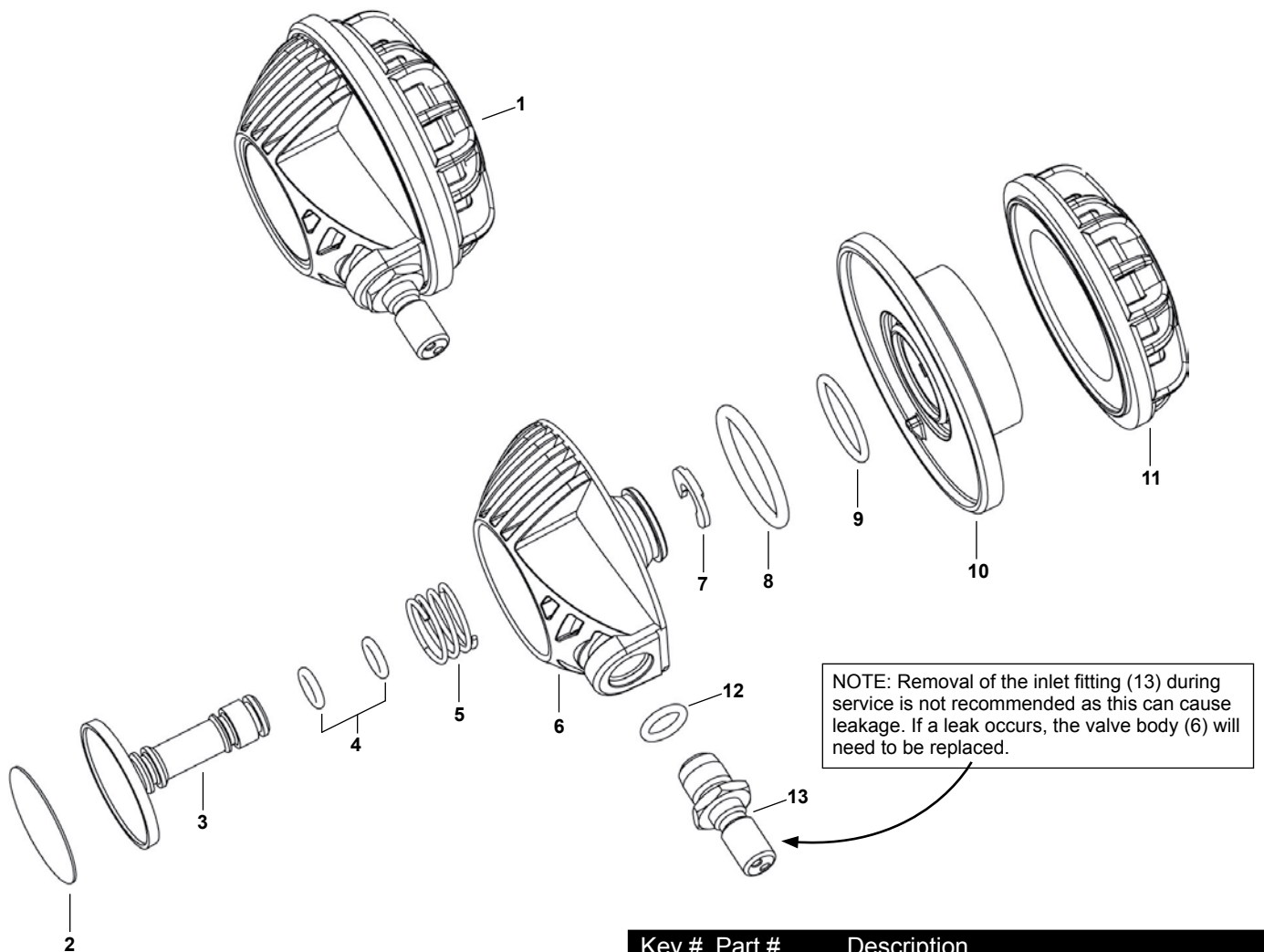
Key #	Part #	Description
-------	--------	-------------

-----	42608	Service Kit, Airsource 2
-----	42639	O-ring Kit, Airsource Quick Disconnect Hose
1	15111	Quick disconnect fitting
2	15055	Sintered Filter
3	820010P	O-ring (25 pk)
4	15026	Crown
5	820013	O-ring
6	820120	O-ring
7	15089	Crown Housing
8	15027	Poppet Seat
9	15103	Poppet
10	15110	Poppet Spring
11	15113	Poppet Housing
12	15049	Poppet Guide
13	15118	Upper Cable
14	15096	Spiral Hose, 8"
15	15090	Trim Grip
16	15098	Spiral Hose, 6"
17	15117	Lower Cable
18	15735	Hose Clip
19	15719	Clamp
20	15106	Pin, 0.71
21	15610	Pin, 1.0
22	15099	Oral Button Cover
23	15083	Oral Poppet
24	15095	Oral Spring
25	15093	Oral Bezel
26	15094	Body
27	42802	Mouthpiece (w/ 2 Retainers)
28	15104	Mouthpiece Retainer
29	820011P	O-ring (25 pk)
30	820016	O-ring
31	15092	Valve Retainer
32	778564	Valve Core
33	15112	Spring
34	15081	Inflator Button
35	15100	Inflator Button Cover, Gray
36	15080	Inflator Bezel
37	42641	Oral Seal Kit (includes 37a)
37a	N/A	Oral Seal Washer
38	15107	Screw
39	15078	Exhaust Retainer
40	15132	Exhaust Valve, Gray
41	15082	Exhaust Cap
42	42804	Demand Lever w/ Button
43	15039	Washer
44	15020	Locknut
45	42803	Diaphragm Assy
46	15084	Diaphragm Ring
47	15087	Diaphragm Retainer
48	15091	Purge Button
49	15029	QD Fitting Cover
50	42308	LP Hose Adapter (Adapts A.S. hose to Std. inflator)
N/S	42801	Spiral Hose Assy (includes items 13-20)
N/S	41522	25" LP Hose, Air Source
N/S	25455	27" LP Hose, Air Source
N/S	41523	29.5" LP Hose, Air Source



Part numbers in **BOLD ITALICS** indicate standard overhaul replacement part.

Swivel Inflator



NOTE: Removal of the inlet fitting (13) during service is not recommended as this can cause leakage. If a leak occurs, the valve body (6) will need to be replaced.

Key #	Part #	Description
1	AP0703/US	Swivel Inflator, No Decal, Fusion BC
2	15606	Decal
3	AP7008	Button
4	AP1154	O-ring
5	AP7002	Spring
6	AP7007	Valve Body
7	AP7003	Circlip
8	AP1277	O-ring
9	AP1298	O-ring
10	AP7006	Base
11	AP1568D	Cap Retainer
12	AP1409	O-ring
13	AP7005	Inlet Fitting

Part numbers in **BOLD ITALICS** indicate standard overhaul replacement part.

Key # Part # Description

Balance/Libra (Sea Quest)

- 1 ---- 42767 Weight Pouch, Universal, 10 lb, Surelock
- 2 ---- 42726 Weight Pouch, Universal 10 lb
- 3 ---- 15309 Gasket, Universal Connector
- 4 ---- 44822 MP Hose, 22", SM-MD
- 5 ---- 44825 MP Hose, 25", ML-LG
- 6 ---- 44827 MP Hose, 27", XL
- 7 ---- 28228 Universal Tank Band
- 8 ---- 42754 Dump Valve Kit, Universal
- 9 ---- 427039 Chest Strap Kit, Removable (Libra only)
- Optional Upgrade*
- 10 ---- 427040 Carry Handle Kit (Large Contour Pack only)

Black Diamond (Sea Quest)

- 1 ---- 42768 Weight Pouch, Universal, 16 lb, Surelock
- 2 ---- 42716 Weight Pouch, Universal, 16 lb
- 3 ---- 42751 Weight Pouch, Deluxe, 16 lb, (2000+)
(carry handle & retainer straps)
- Waist Bands with Swivel Buckle*
- 4 ---- 430411 Waistband Assy, 377, SM, w/Surelock
- 5 ---- 430412 Waistband Assy, 377, MD, w/Surelock
- 6 ---- 430413 Waistband Assy, 377, ML, w/Surelock
- 7 ---- 430414 Waistband Assy, 377, LG, w/Surelock
- 8 ---- 430415 Waistband Assy, 377, XL, w/Surelock
- 9 ---- 43040.1 Waistband Assembly, 371, SM, w/Surelock
- 10 ---- 43040.2 Waistband Assembly, 371, MD, w/Surelock
- 11 ---- 43040.4 Waistband Assembly, 371, LG, w/Surelock
- 12 ---- 43040.5 Waistband Assembly, 371, XL, w/Surelock
- 13 ---- 43020.1 Waistband Assembly, 360, SM
- 14 ---- 43020.2 Waistband Assembly, 360, MD
- 15 ---- 43020.3 Waistband Assembly, 360, ML
- 16 ---- 43020.4 Waistband Assembly, 360, LG
- 17 ---- 43020.5 Waistband Assembly, 360, XL
- Waist Bands w/2" Lock Monster Buckle*
- 18 ---- 43019.1 Waistband Assembly, 346, SM
- 19 ---- 43019.2 Waistband Assembly, 346, MD
- 20 ---- 43019.3 Waistband Assembly, 346, ML
- 21 ---- 43019.4 Waistband Assembly, 346, LG
- 22 ---- 43019.5 Waistband Assembly, 346, XL
- Hardware*
- 23 ---- 15071 Screw (for Multi-set Waistband)
- 24 ---- 15072 Nut (for Multi-set Waistband)
- 25 ---- 15309 Gasket, Universal Connector
- 26 ---- 44825 MP Hose, 25", SM
- 27 ---- 44827 MP Hose, 27", MD-XL
- 28 ---- 28228 Universal Tank Band
- 29 ---- 42754 Dump Valve Kit, Universal
- 30 ---- 427039 Removable Chest Strap Kit (1996+)
- Optional Upgrades*
- 31 ---- 427030 Waistband Expander Kit, (adds 6" in length)
- 32 ---- 427038 Removable Crotch Strap Kit (1997+)
- 33 ---- 427042 Twin Tank Kit (must have large Contour Pack)
- 34 ---- 427040 Carry Handle Kit (must have large Contour Pack)
- 35 ---- 42720 Carabiner Clip

Diva LX (Sea Quest)

- 1 ---- 42767 Weight Pouch, Universal, 10 lb, Surelock
- 2 ---- 42726 Weight Pouch, Universal, 10 lb
- 3 ---- 12019 Clip Lock, Multi-Set Waistband
- 4 ---- 12235 Buckle, Female, 1.5", Airlock
- 5 ---- 12240 Buckle, Female, 1.0", Airlock
- 6 ---- 12241 Buckle, Male, 1.0", Airlock
- 7 ---- 15309 Gasket, Universal Connector
- 8 ---- 44822 MP Hose, 22", XS-MD
- 9 ---- 44825 MP Hose, 25", ML-LG
- 10 ---- 42754 Dump Valve Kit, Universal
- 11 ---- 28228 Universal Tank Band

Diva XLT • Diva QD • Diva (Sea Quest)

- 1 ---- 42726 Weight Pouch, Universal, 10 lb
- 2 ---- 12019 Clip Lock, Multi-set Waistband
- 3 ---- 12235 Buckle, Female, 1.5", Airlock
- 4 ---- 12024 Buckle, Female, 1.5", Standard (pre-2002)

Key # Part # Description

- 5 ---- 12240 Buckle, Female, 1.0", Airlock
- 6 ---- 12241 Buckle, Male, 1.0", Airlock
- 7 ---- 12048 Buckle, Female, 1.0" Standard (pre-2002)
- 8 ---- 12088 Buckle, Male, 1.0", Standard (pre-2002)
- 9 ---- 15309 Gasket, Universal Connector
- 10 ---- 44822 MP Hose, 22", XS-MD
- 11 ---- 44825 MP Hose, 25", ML
- 12 ---- 42754 Dump Valve Kit, Universal
- 13 ---- 28228 Universal Tank Band
- 14 ---- 12039 Accessory Hose Clip
- 15 ---- 12060 Snaphook

Eva (Sea Quest)

- 1 ---- 42726 Weight Pouch, Universal 10 lb
- 2 ---- 12024 Buckle, Female, 1.5"
- 3 ---- 12037 Buckle, Male, 1.5"
- 4 ---- 15309 Gasket, Universal Connector
- 5 ---- 44822 MP Hose, 22", SM-MD
- 6 ---- 44825 MP Hose, 25", LG
- 7 ---- 28228 Universal Tank Band
- 8 ---- 42754 Dump Valve Kit, Universal

Fusion (Sea Quest)

- 1 ---- 42767 Weight Pouch, Universal, 10 lb, Surelock
- 2 ---- 12116 Fastener, Ratchet, 1/4"x1", SM-MD
(attaches tank web to backpack)
- 3 ---- 12117 Fastener, Ratchet, 3/4" x 3/4", ML-XL
(attaches tank web to backpack)
- 4 ---- 12241 Buckle, Male, 1", Airlock
- 5 ---- 15309 Gasket, Universal Connector
- 6 ---- 24833 MP Hose, 33", SM-MD
- 7 ---- 24836 MP Hose, 36", ML
- 8 ---- 24840 MP Hose, 40" LG-XL
- 9 ---- 42754 Dump Valve Kit, Universal
- 10 ---- 427073 Bladder, SM-ML
- 11 ---- 427074 Bladder, LG-XL
- 12 ---- 427040 Carry Handle Kit (ML-XL only)
- 13 ---- 42770 Oral Inflator Assembly
- 14 ---- 100122 Exhaust Valve (one way)
- 15 ---- AP0703/US Swivel Inflator, w/o Logo
- 16 ---- 15606 Dome Logo, Swivel Inflator
- 17 ---- 4270801 Waistband Assy, SM
- 18 ---- 4270802 Waistband Assy, MD
- 19 ---- 4270803 Waistband Assy, ML
- 20 ---- 4270804 Waistband Assy, LG
- 21 ---- 4270805 Waistband Assy, XL
- 22 ---- 28228 Universal Tank Band

Latitude (Sea Quest)

- 1 ---- 42726 Weight Pouch, Universal, 10 lb
- 2 ---- 12235 Buckle, Female, 1.5", Airlock
- 3 ---- 12261 Buckle, Male, 1.5", Airlock
- 4 ---- 15309 Gasket, Universal Connector
- 5 ---- 44822 MP Hose, 22", XS-MD
- 6 ---- 44825 MP Hose, 25", ML-LG
- 7 ---- 44827 MP Hose, 27", XL
- 8 ---- 42754 Dump Valve Kit, Universal
- 9 ---- 427039 Chest Strap Kit, Removable
- 10 ---- 28228 Universal Tank Band

Latitude XLT (Sea Quest)

- 1 ---- 42767 Wt. Pouch, Universal 10 lb SM-ML, Surelock
- 2 ---- 42768 Wt. Pouch, Universal 16 lb LG-XL, Surelock
- 3 ---- 15309 Gasket, Universal Connector
- 4 ---- 42754 Dump Valve Kit, Universal
- 5 ---- 28228 Universal Tank Band
- 6 ---- 10017 Traction Sleeve for Tank Band
- 7 ---- 12126 Pack Frame, Blk
- 8 ---- 12127 Pack Cradle, W/ Pad Installed, Blk
- 9 ---- 15129 Bolt, 19mm Hex, Brass Chrome/Pltd
- 10 ---- 15130 Nut, 19mm Hex, Brass Chrome/Pltd

Key #	Part #	Description
11	12441	Buckle, Male, 1.0, Airlock
12	15665	Cap, Universal Connector
13	44822	MP Hose, 22" XS-SM-MD
14	44825	MP Hose, 25" ML-LG
15	44827	MP Hose, 27" XL
16	427090	Waistband Set, Adjustable Web, XS
17	427091	Waistband Set, Adjustable Web, SM
18	427092	Waistband Set, Adjustable Web, MD
19	427093	Waistband Set, Adjustable Web, ML
20	427094	Waistband Set, Adjustable Web, LG
21	427095	Waistband Set, Adjustable Web, XL
22	12247	Buckle, F, 2.0, Airlock
23	12248	Buckle, M, 2.0, Airlock

Malibu (Aqua Lung/Sea Quest)

1	42726	Weight Pouch, Universal, 10 lb
2	42754	Dump Valve Kit, Universal
3	10017	Traction Sleeve, Universal Tank Band
4	28228	Universal Tank Band
5	761947	Stabilizer Strap, Cylinder
6	12117	3-Bar Slide, 1"
7	12024	Buckle, Female, 1.5", Standard
8	12037	Buckle, Male, 1.5", Standard
9	12235	Buckle, Female, 1.5", Airlock
10	12261	Buckle, Male, 1.5", Airlock
11	12240	Buckle, Female, 1.0", Airlock
12	12241	Buckle, Male, 1.0", Airlock
13	15309	Gasket, Universal Connector
14	44825	MP Hose, 25", XS-MD
15	44827	MP Hose, 27", LG-XL
16	427039	Removable Chest Strap Kit
17	12060	Snaphook (in key pocket)
18	088152	Cord Lock for Mesh Bag (post 9/05)

Pacifica (Sea Quest)

1	15309	Gasket, Universal Connector
2	42754	Dump Valve Kit, Universal
3	28228	Universal Tank Band
4	10017	Traction Sleeve for Tank Band
5	12126	Pack Frame, Blk
6	12127	Pack Cradle, w/ Pad Installed, Blk
7	15129	Bolt, 19mm Hex, Brass Chrome/Pltd
8	15130	Nut, 19mm Hex, Brass Chrome/Pltd
9	12241	Buckle, Male, 1.0, Airlock
10	15665	Cap, Universal Connector
11	44822	MP Hose, 22", XS-MD
12	44825	MP Hose, 25", ML-LG
13	44827	MP Hose, 27", XL
14	427096	Removable Backpad, Wave/Pacifica, Unv
15	427090	Waistband Set, Adjustable Web, XS
16	427091	Waistband Set, Adjustable Web, SM
17	427092	Waistband Set, Adjustable Web, MD
18	427093	Waistband Set, Adjustable Web, ML
19	427094	Waistband Set, Adjustable Web, LG
20	427095	Waistband Set, Adjustable Web, XL
21	12247	Buckle, F, 2.0, Airlock, Blk 5502100
22	12248	Buckle, M, 2.0, Airlock, Blk 5501100

Passport (Sea Quest)

1	42726	Weight Pouch, Universal, 10 lb
2	088152	Cord Lock
3	12240	Buckle, Female, 1", Airlock
4	12241	Buckle, Male, 1", Airlock
5	15309	Gasket, Universal Connector
6	44822	MP Hose, 22", XS-MD
7	44825	MP Hose, 25", ML-LG
8	44827	MP Hose, 27", XL
9	42754	Dump Valve Kit, Universal
10	427039	Chest Strap Kit, Removable
11	28228	Universal Tank Band

Key #	Part #	Description
Passport 2007 (Sea Quest)		
1	42726	Weight Pouch, Universal, 10 lb
2	15309	Gasket, Universal Connector
3	42754	Dump Valve Kit, Universal
4	28228	Universal Tank Band
5	10017	Traction Sleeve for Tank Band
6	12126	Pack Frame, Blk
7	12127	Pack Cradle, w/ Pad Installed, Blk
8	15129	Bolt, 19mm Hex, Brass Chrome/Pltd
9	15130	Nut, 19mm Hex, Brass Chrome/Pltd
10	15665	Cap, Universal Connector
11	44822	MP Hose, 22", XS-MD
12	44825	MP Hose, 25", ML-LG
13	44827	MP Hose, 27", XL
14	427097	Removable Backpad w/ Mesh Bag, Passport
15	427090	Waistband Set, Adjustable Web, XS
16	427091	Waistband Set, Adjustable Web, SM
17	427092	Waistband Set, Adjustable Web, MD
18	427093	Waistband Set, Adjustable Web, ML
19	427094	Waistband Set, Adjustable Web, LG
20	427095	Waistband Set, Adjustable Web, XL
21	12247	Buckle, F, 2.0, Airlock, Blk
22	12248	Buckle, M, 2.0, Airlock, Blk
23	427039	Removable Chest Strap Kit
24	088152	Cord Lock

Pearl (Sea Quest)

1	42767	Weight Pouch, Universal 10 lb, Surelock
2	12003	Zip Pull w/ Cord
3	12235	Buckle, Female, 1.5" Airlock
4	12261	Buckle, Male, 1.5" Airlock
5	12777	Pull Knob, Nyl, Blk
6	15309	Gasket, Universal Connector
7	44822	MP Hose, 22" (XS, SM, MD)
8	44825	MP Hose, 25" (ML, LG)
9	28228	Universal Tank Band

Pearl i3 (Sea Quest)

1	42767	Weight Pouch, Universal 10 lb, Surelock
2	12003	Zip Pull w/ Cord
3	12019	Waistband Clip Lock for Multi-set
4	12235	Buckle, Female, 1.5" Airlock
5	12261	Buckle, Male, 1.5" Airlock
6	12777	Pull Knob, Nyl, Blk
7	15309	Gasket, Universal Connector
8	15430	Cover, QD, w/ Cord, i3 Inflator
9	24827	MP Hose, 27" (XS, SM)
10	24833	MP Hose, 33" (MD, ML, LG)
11	15428	Hose Hat, MP Hose
12	28228	Universal Tank Band
13	42773	Oral Inflator Assembly

Pro • Pro QD • Pro QD+ • Pro XLT (Sea Quest)

<i>Weight Pouches (Pro QD+, Pro XLT)</i>		
1	42768	Weight Pouch, 16 lb, Surelock, LG-XXL (ML on XLT)
2	42767	Weight Pouch, 10 lb, Surelock, XS-ML
3	42716	Weight Pouch, 16 lb, Universal, LG-XXL
4	42726	Weight Pouch, 10 lb, Universal, XS-ML
5	12235	Buckle, Female, 1.5", Airlock (Pro, Pro QD+)
6	12261	Buckle, Male, 1.5", Airlock (Pro, Pro QD+)
7	12241	Buckle, Male, 1.0", Airlock (Pro, Pro QD+)
8	12024	Buckle, Female, 1.5", Standard (pre-2002)
9	12037	Buckle, Male, 1.5", Standard (pre-2002)
10	12088	Buckle, Male, 1.0", Standard (pre-2002)
11	15309	Gasket, Universal Connector
12	44822	MP Hose, 22", XS-MD
13	44825	MP Hose, 25", ML-LG
14	44827	MP Hose, 27", XL/XXL
15	28228	Universal Tank Band
16	42754	Dump Valve Kit, Universal
17	427040	Carry Handle Kit (large Contour Pack only)
18	12060	Snaphook

Key # Part # Description

- 19 ---- 4270900 Waistband, Pro XLT, XS
- 20 ---- 4270901 Waistband, Pro XLT, SM
- 21 ---- 4270902 Waistband, Pro XLT, MD
- 22 ---- 4270903 Waistband, Pro XLT, ML
- 23 ---- 4270904 Waistband, Pro XLT, LG
- 24 ---- 4270905 Waistband, Pro XLT, XL

Pro QD i3 (Sea Quest)

- 1 ---- 42767 Wt. Pouch, Universal 10 lb SM-ML, Surelock
- 2 ---- 42768 Wt. Pouch, Universal 16 lb LG-XXL, Surelock
- 3 ---- 12235 Buckle, Female, 1.5" Airlock
- 4 ---- 12261 Buckle, Male, 1.5" Airlock
- 5 ---- 12241 Buckle, Male, 1.0" Airlock
- 6 ---- 12060 Snap Hook
- 7 ---- 15309 Gasket, Universal Connector
- 8 ---- 24827 MP Hose, 27" (SM)
- 9 ---- 24833 MP Hose, 33" (MD, ML, LG)
- 10 ---- 24836 MP Hose, 36" (XL)
- 11 ---- 24840 MP Hose, 40" (XXL)
- 12 ---- 15428 Hose Hat
- 13 ---- 28228 Universal Tank Band
- 14 ---- 427040 Carry Handle Kit (for LG contour pack only)
- 15 ---- 42773 Oral Inflator Assembly
- 16 ---- 12277 Pull Knob, Nyl, Blk
- 17 ---- 42762 Stubby hose for i3 rental
- 18 ---- 15430 Cover, QD, w/ Cord, i3 Inflator

Pro Unlimited (Sea Quest)

- 1 ---- 42768 Weight Pouch, 16 lb, Surelock, LG-XXL
- 2 ---- 42767 Weight Pouch, 10 lb, Surelock, SM-ML
- 3 ---- 42751 Weight Pouch, 16 lb, Deluxe, LG-XXL
- 4 ---- 42752 Weight Pouch, 10 lb, Deluxe, SM-ML
- 5 ---- 12235 Buckle, Female, 1.5", Airlock
- 6 ---- 12261 Buckle, Male, 1.5", Airlock
- 7 ---- 12024 Buckle, Female, 1.5", Standard (pre-2002)
- 8 ---- 12037 Buckle, Male, 1.5", Standard (pre-2002)
- 9 ---- 12060 Snaphook
- 10 ---- 12114 Batten, Adjustable Lumbar System
- 11 ---- 15309 Gasket, Universal Connector
- 12 ---- 16316 Screw, Squeeze Lock Knife
- 13 ---- 16317 Nut, Squeeze Lock Knife
- 14 ---- 16319 Screw, Metric, Squeeze Lock Knife (July '04)
- 15 ---- 16320 Nut, Metric, Squeeze Lock Knife
- 16 ---- 44822 MP Hose, 22", SM-MD
- 17 ---- 44825 MP Hose, 25", ML-LG
- 18 ---- 44827 MP Hose, 27", XL-XXL
- 19 ---- 28228 Universal Tank Band
- 20 ---- 42754 Dump Valve Kit, Universal
- 21 ---- 12019 Clip Lock, Multi-set Waistband
- 22 ---- 41952 Knife Hose Mount Kit, Squeeze Lock Knife
- 23 ---- 427040 Carry Handle Kit (large Contour Pack only)
- 24 ---- 427039 Chest Strap Kit, Removable

Retractor Replacement Parts (before 5/05)

- 25 ---- 12060 Snaphook
- 26 ---- 12213 Loop, 1", for Snaphook
- 27 ---- 12068 Interconnecting Clip
- 28 ---- 12070 Retractor Gear Box
- 29 ---- 15120 Screw

Retractor Replacement Parts (after 5/05)

- 30 ---- 12123 Buckle, F, Q/C-II, Retractor
- 31 ---- 12124 Ball, Retractor
- 32 ---- 12125 Buckle, M, Q/C-II, 1 1/8 Split Ring, Retractor
- 33 ---- 12070 Retractor Gear Box

Raider (Sea Quest)

- 1 ---- 42756 Weight Pouch, 16 lb, Red Handle
- 2 ---- 088107 Traction Pad, Slotted
- 3 ---- 10017 Traction Sleeve, Universal Tank Band
- 4 ---- 12060 Snap Hook

Key # Part # Description

- 5 ---- 12114 Batten, Back Adjustment System
- 6 ---- 12247 Buckle, Female, 2.0" Airlock
- 7 ---- 12248 Buckle, Male, 2.0" Airlock
- 8 ---- 15071 Screw, Adjustable Weight Module System
- 9 ---- 15072 Nut, Adjustable Weight Module System
- 10 ---- 15309 Gasket, Universal Connector
- 11 ---- 44827 MP Hose, 27"
- 12 ---- 28228 Universal Tank Band
- 13 ---- 42754 Dump Valve Kit, Universal
- 14 ---- 427039 Removable Chest Strap Kit
- 15 ---- 427058 Bladder, 50 lb
- 16 ---- 427048 Weight Module LT
- 17 ---- 427049 Weight Module RT
- 18 ---- 427071 Outer Bag, Raider

Optional Upgrades

- 19 ---- 41952 Hose Mount Kit (squeeze Lock to Hose)
- 20 ---- 427061 Weight Module Extender Kit (adds 3" per side)
- 21 ---- 427059 Tank Band Kit for Twin Cylinders
- 22 ---- 427060 Redundant Bladder Kit
- 23 ---- 427038 Crotch Strap Kit

Spectrum 1 (Sea Quest)

- 1 ---- 15309 Gasket, Universal Connector
- 2 ---- 12012 Fastener Ratchet (attaches backpad to pack)
- 3 ---- 12024 Buckle, Female, 1.5"
- 4 ---- 12039 Accessory Hose Clip
- 5 ---- 12048 Buckle, Female, 1.0"
- 6 ---- 12088 Buckle, Male, 1.0"
- 7 ---- 12060 Snaphook
- 8 ---- 44822 MP Hose, 22" (XS, SM, MD)
- 9 ---- 44825 MP Hose, 25" (ML, LG)
- 10 ---- 44827 MP Hose, 27" (XL)
- 11 ---- 28228 Universal Tank Band
- 12 ---- 42754 Dump Valve Kit, Universal
- 13 ---- 12240 Buckle, Female, 1.0", Airlock (spec 1 only, post 2002)
- 14 ---- 12241 Buckle, Male, 1.0", Airlock (spec 1 only, post 2002)
- 15 ---- 427033 Backpad Kit, LG-XXL
- 16 ---- 427034 Backpad Kit, XS-ML

Optional Upgrades

- 17 ---- 427031 Waistband Expander for 4" to 5.5" wide band (adds up to 8" in length)
- 18 ---- 427032 Waistband Expander Slim for 3" wide band (adds up to 8" in length)

Wave • Wave Jr. (Aqua Lung)

- 1 ---- 42754 Dump Valve Kit, Universal
- 2 ---- 10017 Traction Sleeve, Tank Band
- 3 ---- 088107 Traction Pad, Slotted
- 4 ---- 28228 Universal Tank Band
- 5 ---- 427041 Removable Back Pad

Wave with Fabric Channels (after July '04)

- 6 ---- 427020 Waistband w/Strap, XS, 41"
- 7 ---- 427021 Waistband w/Strap, SM, 43"
- 8 ---- 427022 Waistband w/Strap, MD, 47"
- 9 ---- 427024 Waistband w/Strap, LG, 52"
- 10 ---- 427025 Waistband w/Strap, XL, 55"

Wave with Web Channels

- 11 ---- 427050 Waistband, XS, 41"
- 12 ---- 427051 Waistband, SM, 43"
- 13 ---- 427052 Waistband, MD, 47"
- 14 ---- 427054 Waistband, LG, 52"
- 15 ---- 427055 Waistband, XL 55"
- 16 ---- 12090 Backpack (one size fits all)
- 17 ---- 15309 Gasket, Universal Connector
- 18 ---- 15665 Cap, Universal Connector
- 19 ---- 44822 MP Hose, 22", XS-SM
- 20 ---- 44825 MP Hose, 25", MD
- 21 ---- 44827 MP Hose, 27", LG-XL
- 22 ---- 12048 Buckle, Female, 1.0" (pre-2002)
- 23 ---- 12088 Buckle, Male, 1.0" (pre-2002)
- 24 ---- 12240 Buckle, Female, 1.0", Airlock (2002)
- 25 ---- 12241 Buckle, Male, 1.0", Airlock (2002)

Wave Jr. Part Only

- 26 ---- 427056 Tank Band, 30 cu.ft. Cyl. (Jr. version)
- 27 ---- 427057 Crotch Strap Kit (Jr. version only)
- 28 ---- 42718 Weight Pouch, 6 lb, Grey Handle (Jr. version)
- 29 ---- 42750 Weight Pouch, 6 lb, Yellow Handle (Jr. version)

Wave Sea Quest • Wave Jr. 2007 (Sea Quest)

- 1 ---- 15309 Gasket, Universal Connector
- 2 ---- 42754 Dump Valve Kit, Universal
- 3 ---- 28228 Universal Tank Band
- 4 ---- 10017 Traction Sleeve for Tank Band
- 5 ---- 12126 Pack Frame, Blk
- 6 ---- 12127 Pack Cradle, w/ Pad Installed, Blk
- 7 ---- 15129 Bolt, 19mm Hex, Brass Chrome/Plttd
- 8 ---- 15130 Nut, 19mm Hex, Brass Chrome/Plttd
- 9 ---- 12241 Buckle, Male, 1.0, Airlock
- 10 ---- 15665 Cap, Universal Connector
- 11 ---- 44822 MP Hose, 22" (Jr.)
- 12 ---- 44828 MP Hose, 27" XS-XL
- 13 ---- 427096 Removable Backpad, Wave/Pacifica, Unv
- 14 ---- 427089 Waistband Set, Adjustable Web, Jr.
- 15 ---- 427090 Waistband Set, Adjustable Web, XS
- 16 ---- 427091 Waistband Set, Adjustable Web, SM
- 17 ---- 427092 Waistband Set, Adjustable Web, MD
- 18 ---- 427093 Waistband Set, Adjustable Web, ML
- 19 ---- 427094 Waistband Set, Adjustable Web, LG
- 20 ---- 427095 Waistband Set, Adjustable Web, XL
- 21 ---- 12247 Buckle, F, 2.0, Airlock, Blk
- 22 ---- 12248 Buckle, M, 2.0, Airlock, Blk

Wave Jr. (2007) Part Only

- 23 ---- 42718 Weight Pouch, 6 lb, Grey Handle
- 24 ---- 427056 Tank Band, 30 cu.ft. Cyl. (Jr. version)

WTX (Apeks)

WTX Harness/Deluxe Webbed Harness

- 1 ---- 10017 Traction Sleeve, Tank Band, WTX
- 2 ---- 12071 D-ring, 2.0, Dull Tumbled S/S, .25 Dia, WTX/Dlx
- 3 ---- 12252 Slide, 2.0, 3 Bar, S/S Serrated, WTX/Dlx
- 4 ---- 12253 D-ring, 2.0, Bent, Dull Tumbled, S/S, WTX/Dlx
- 5 ---- 12285 Buckle, 2.0, S/S, Cam, Heavy Duty, WTX/Dlx
- 6 ---- 28228 Universal Tank Band, WTX
- 7 ---- 427039 Removable Chest Strap Kit, WTX
- 8 ---- 762325 Slide, Buckle, WTX/Dlx
- 9 ---- 42778 Inflator Hold Down, Reflective, Black, WTX
- 10 ---- 42779 Removable Backpad, WTX
- 11 ---- 42780 Crotch Strap Kit, 2.0, WTX/Dlx
- 12 ---- 42781 Elastic Retainer Loop, 1.0, Chest, WTX
- 13 ---- 42782 Elastic Retainer Loop, 1.5, Straps, WTX/Dlx
- 14 ---- 42786 Neo Sleeve, Dlx

Wt System, Surelock, 10lb

- 1 ---- 15050 Screw, Threaded, 3/8, S/S, Male
- 2 ---- 15051 Barrel, Threaded, 1/4, S/S, Female
- 3 ---- 42784 Wt Pouch, 10lb. Surelock
- 4 ---- 42785 Wt Holster, 10lb. Surelock

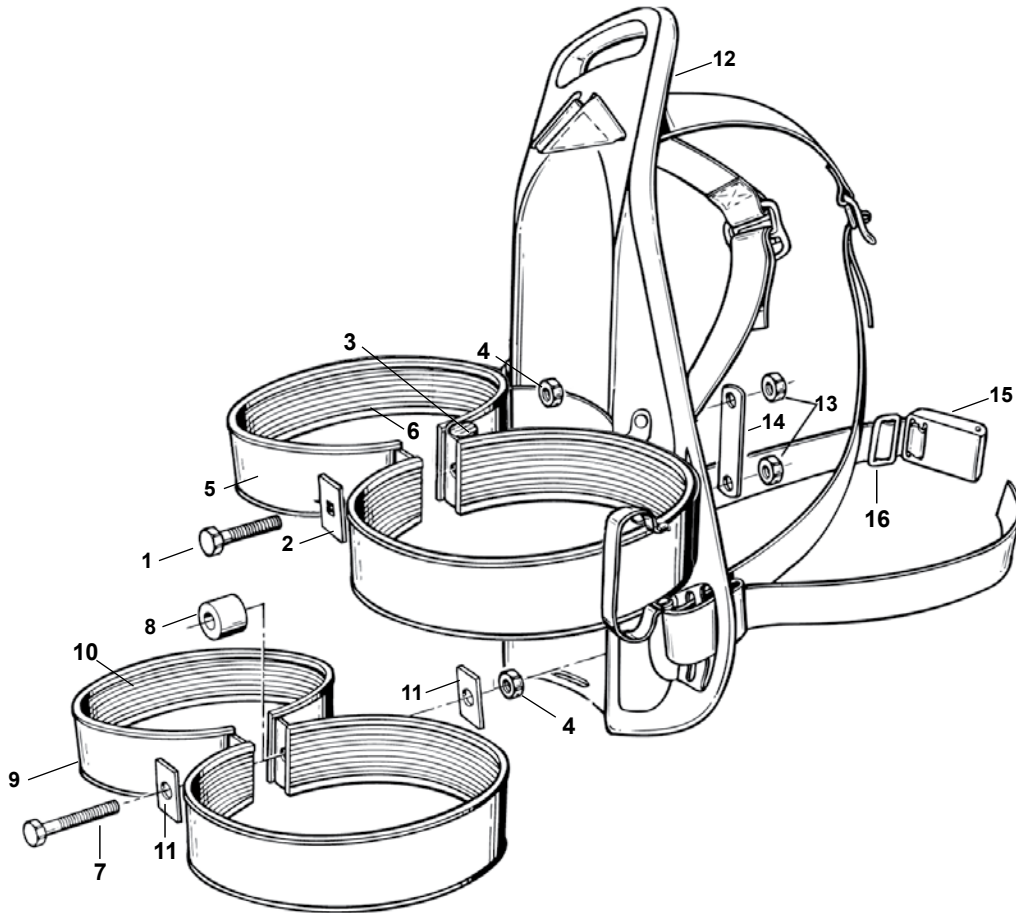
Wt System, Surelock Attachment

- 1 ---- 15050 Screw, Threaded, 3/8, S/S, Male
- 2 ---- 15051 Barrel, Threaded, 1/4, S/S, Female
- 3 ---- 15128 Washer, Shoulder, 1/4, Nylon

Bladder, WTX3, WTX4, WTX6, WTX6R, WTX8

- 1 ---- 15309 Gasket, Universal Connector
- 2 ---- 44827 MP Hose, 27"
- 3 ---- 15665 Cap, Universal Connector, WTX6/8
- 4 ---- 42754 Dump Valve Kit, Universal
- 5 ---- 42772 Apeks Airway Complete
- 6 ---- 12277 Pull Knob, Nylon, Black
- 7 ---- 42783 Retainer Loop
- 8 ---- 42788 Bladder, Tech Wing, WTX6/8
- 9 ---- 42789 Bladder, WTX 4
- 42790 Bladder, Primary, WTX 6R
- 42791 Bladder, Redundant, WTX 6R

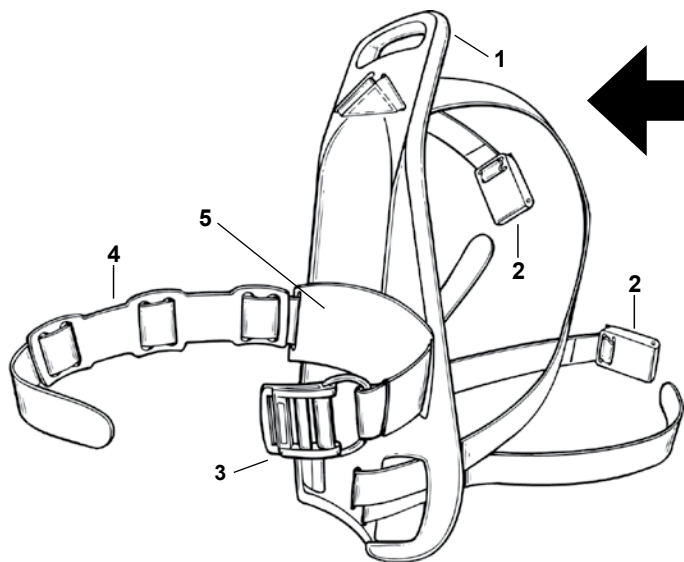
Mariner Twin Backpack



Key #	Part #	Description
----	083400	Mariner Twin Back Pack
1----	838032	Bolt, Hex, .3125-18x3"
2----	082304	Plate, Back-up
3----	082923	Spacer
4----	852021	Nut, Hex, 5/16-18
5----	083401	Band, Top, 7.25"
6----	082940	Cover, Non-slip
7----	838031	Bolt, Hex, .312-18x4"
8----	082729	Spacer, 1" x 2", Blk Nylon
9----	083410	Band, Bottom, 7.25"
10----	081240	Cover, Non-slip
11----	081245	Plate, Back-up
12----	082801	Frame
13----	852014	Nut, #10-32, Brass
14----	081810	Brace
15----	10081	Buckle Cam
16----	762325	Slide, Buckle

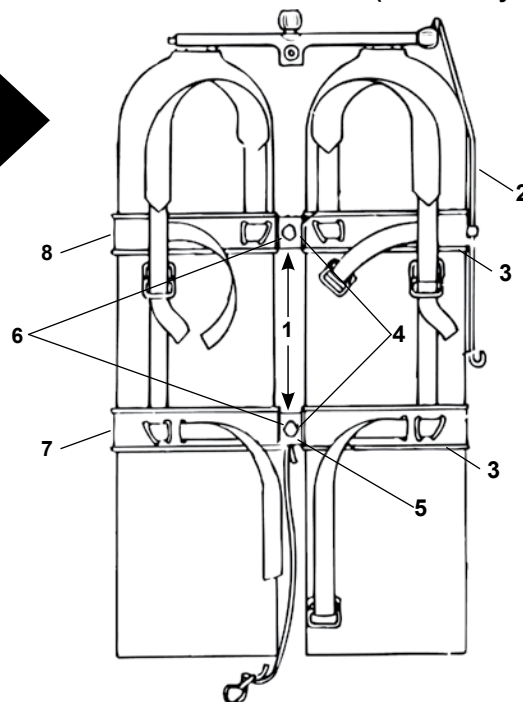
Kam Pac • Twin Harness • Military BC

MARINER KAM PAC (088150)



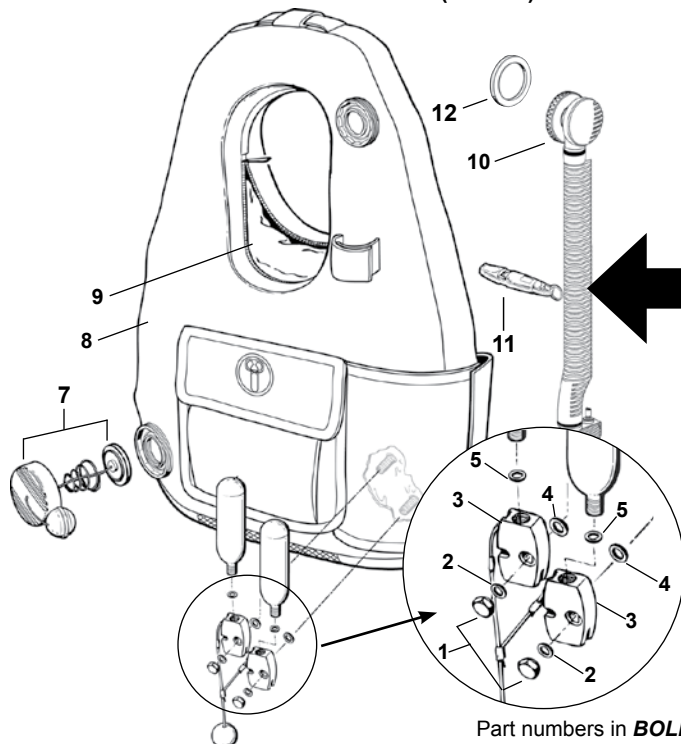
Key #	Part #	Description
1	088110	Frame
2	10081	Buckle Cam
3	28228	Universal Tank Band
4	10017	Traction Sleeve, Tank Band
5	088107	Traction Pad, Slotted
n/s	088151	Non-slip Lanyard

TWIN HARNESS ASSEMBLY (for 7.25" cylinders)



Key #	Part #	Description
-----	082700	7.25" Harness Assembly, Complete
-----	081215	Strap Kit
1	081245	Back-up Plate
2	074305	Reserve Pull Rod
3	081240	Cover, Non-slip
4	838031	Bolt, Hex, .312-18x4"
5	082729	Spacer, 1"x2". Blk Nylon
6	852021	Hex Nut
7	082723	Band, Bottom
8	082721	Band, Top

CALYPSO MILITARY BC (394050)

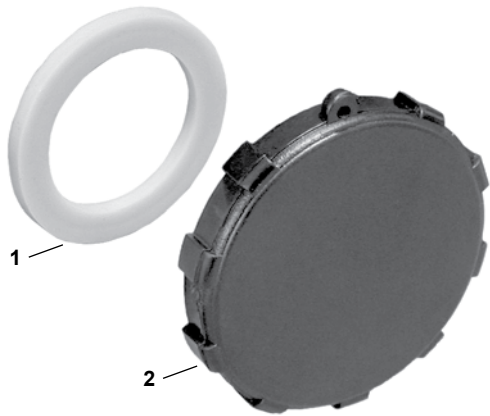


Key #	Part #	Description
1	13216	Cap Nut
2	15737	Gasket
3	13207	Firing Mechanism, W/O Ball & Cord
4	15738	Gasket
5	704014	Gasket, CO₂ Cartridge
6	13220	CO ₂ Cartridge, 38 gram
7	42754	Overpressure Relief Valve Assembly
8	4394051	Outer Bag
9	394052	Inner Bladder
10	42746	Powerline Airway Assy
11	12219	Whistle
12	15309	Gasket

Part numbers in **BOLD ITALICS** indicate standard overhaul replacement part.

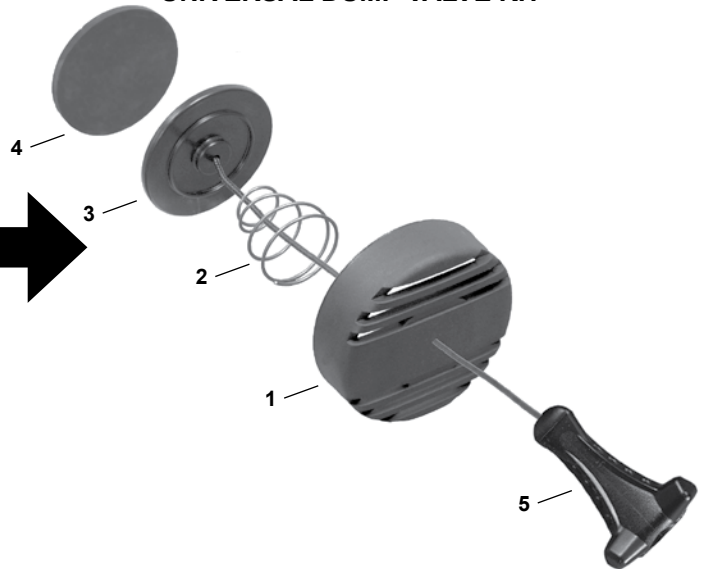
Cap-Off • Universal Dump Valve Kit • CO2 Assembly • Misc

CAP-OFF



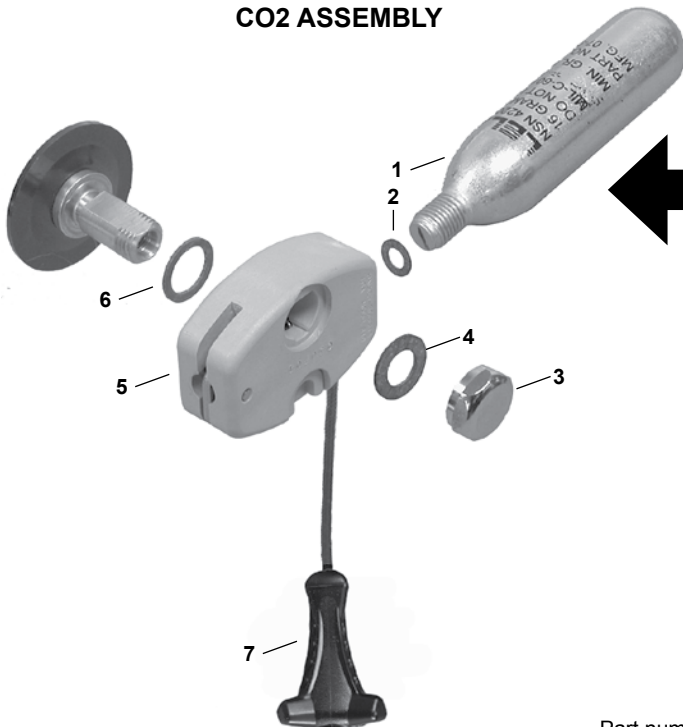
Key #	Part #	Description
1----	15309	Gasket, Connector Seal
2----	15665	Cap, Connector, Acme Thread

UNIVERSAL DUMP VALVE KIT



Key #	Part #	Description
----	42754	Universal Dump Valve Kit, Acme Thread
----	42722	Universal Dump Valve Kit, Std Thread, Pre-1988
1----	10079	Cap, Over Pressure
2----	15617	Spring
3----	15650	Plate
4----	15604	Seal
5----	12277	Pull Knob

CO2 ASSEMBLY



Key #	Part #	Description
1----	13211	CO2 Cartridge, 16 gram
----	42727	Detonator Kit (includes parts below)
2----	704014	Gasket
3----	13216	Nut
4----	15737	Nut Gasket
5----	13207	Detonator
6----	15738	Base Gasket
7----	12277	Pull Knob

MISCELLANEOUS

Key #	Part #	Description
n/s----	42611	BC Puncture Repair Kit
n/s----	13211	CO2 Cartridge, 16 gram, for Snorkel Vest
n/s----	42720	Carabiner Clip

Part numbers in **BOLD ITALICS** indicate standard overhaul replacement part.